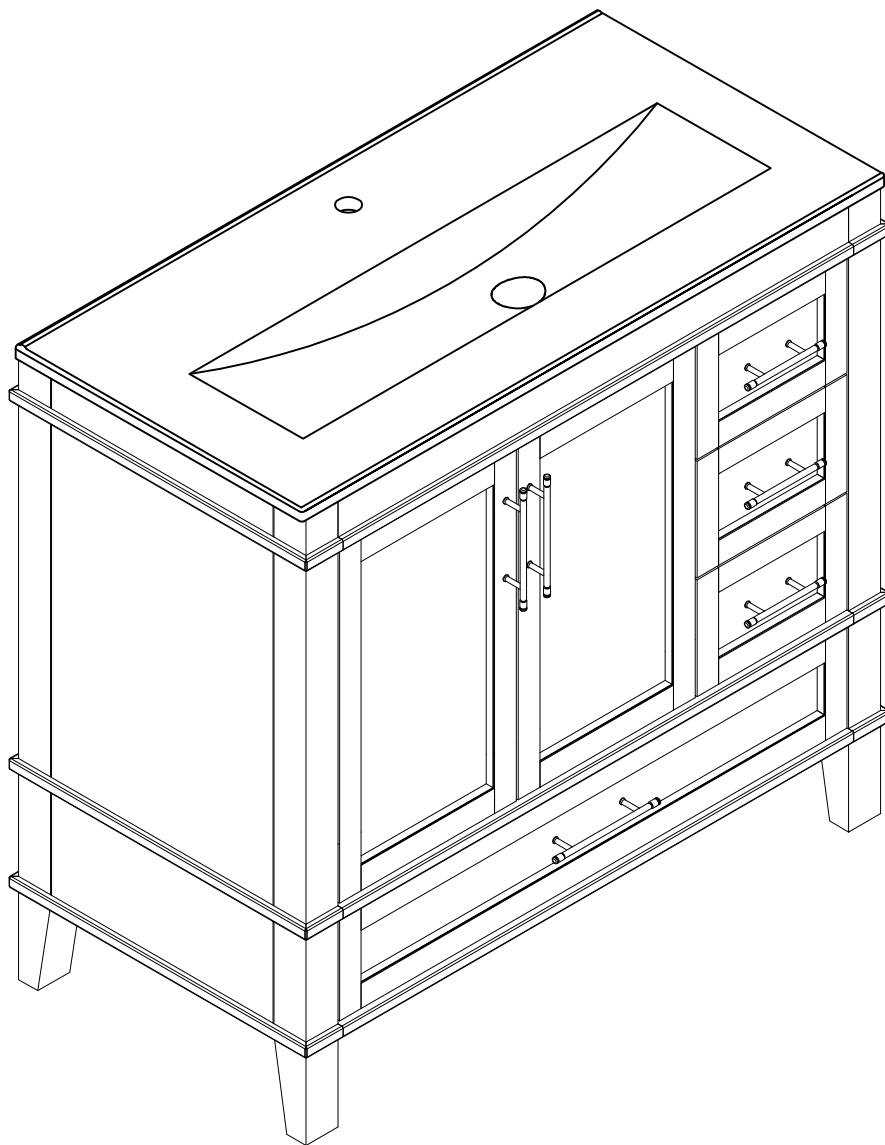


This instruction manual is the final and revised version.

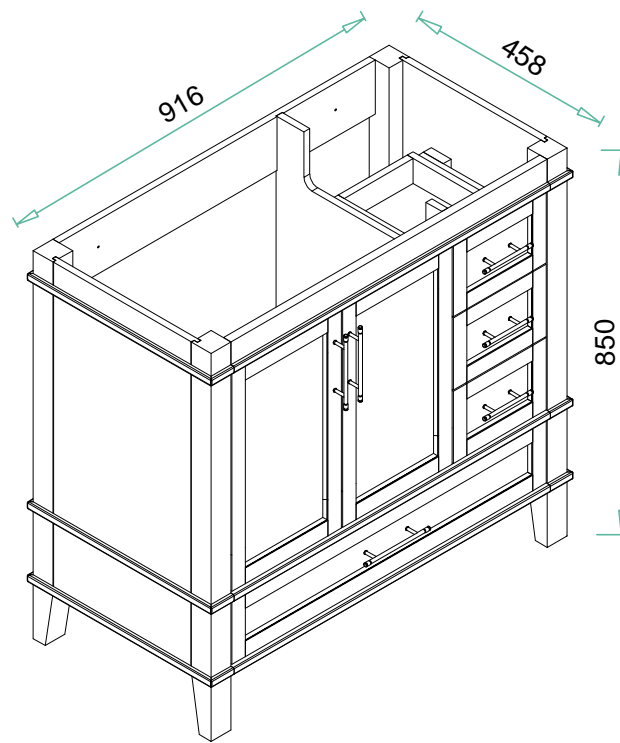


FENE36KDCM INSTALLATION INSTRUCTIONS

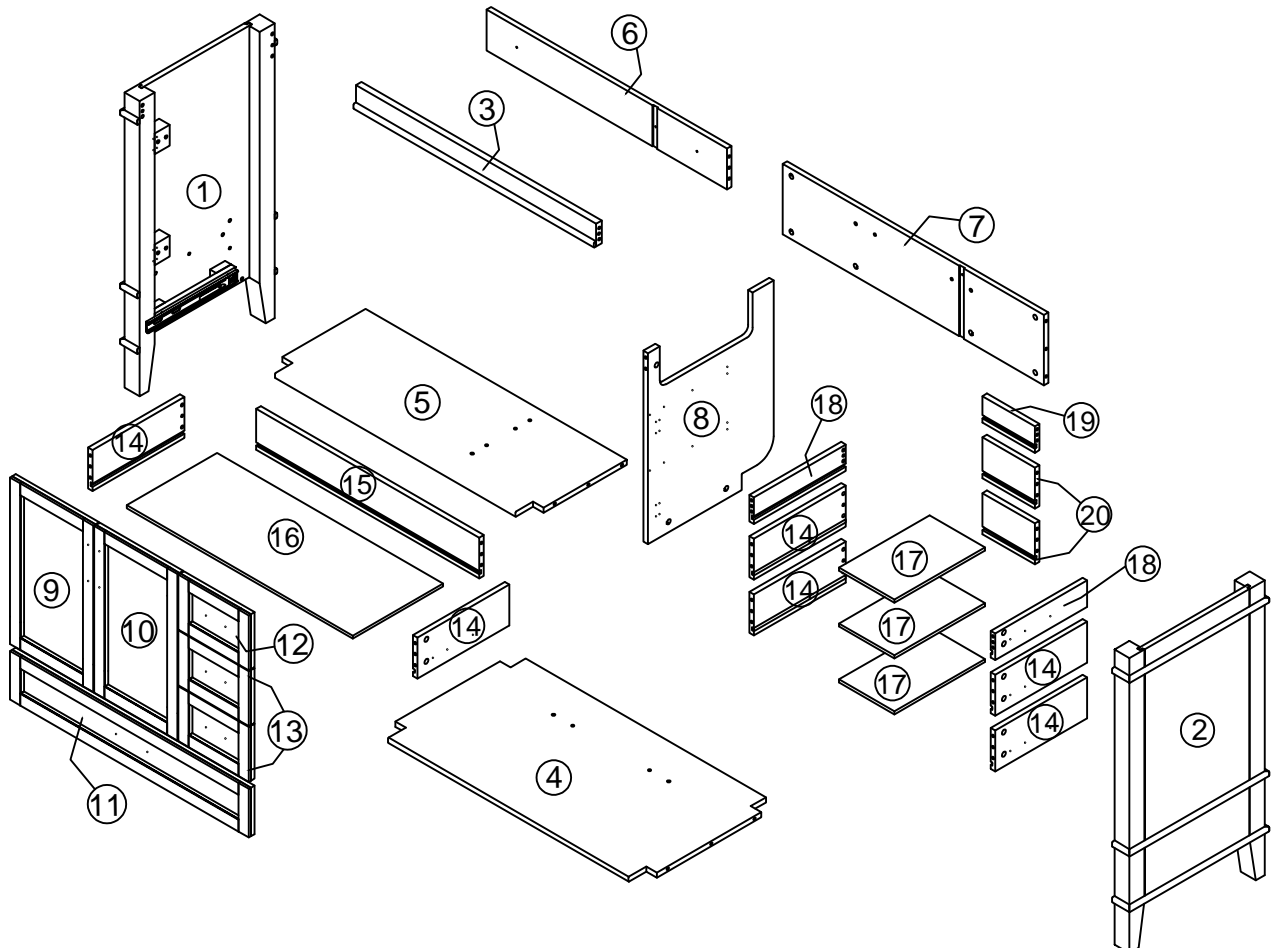
If any questions ,please feel free to call or text us at +16267081381,
or Email us at cabinetservice25@outlook.com.

DIMENSIONS

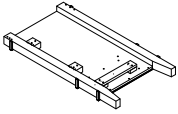
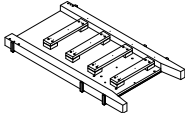
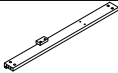


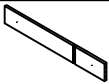
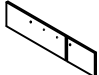




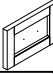
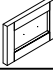

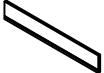

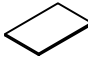

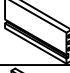

Unit: mm

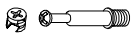


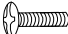
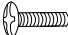





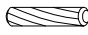


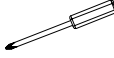



ASSEMBLY DIAGRAM

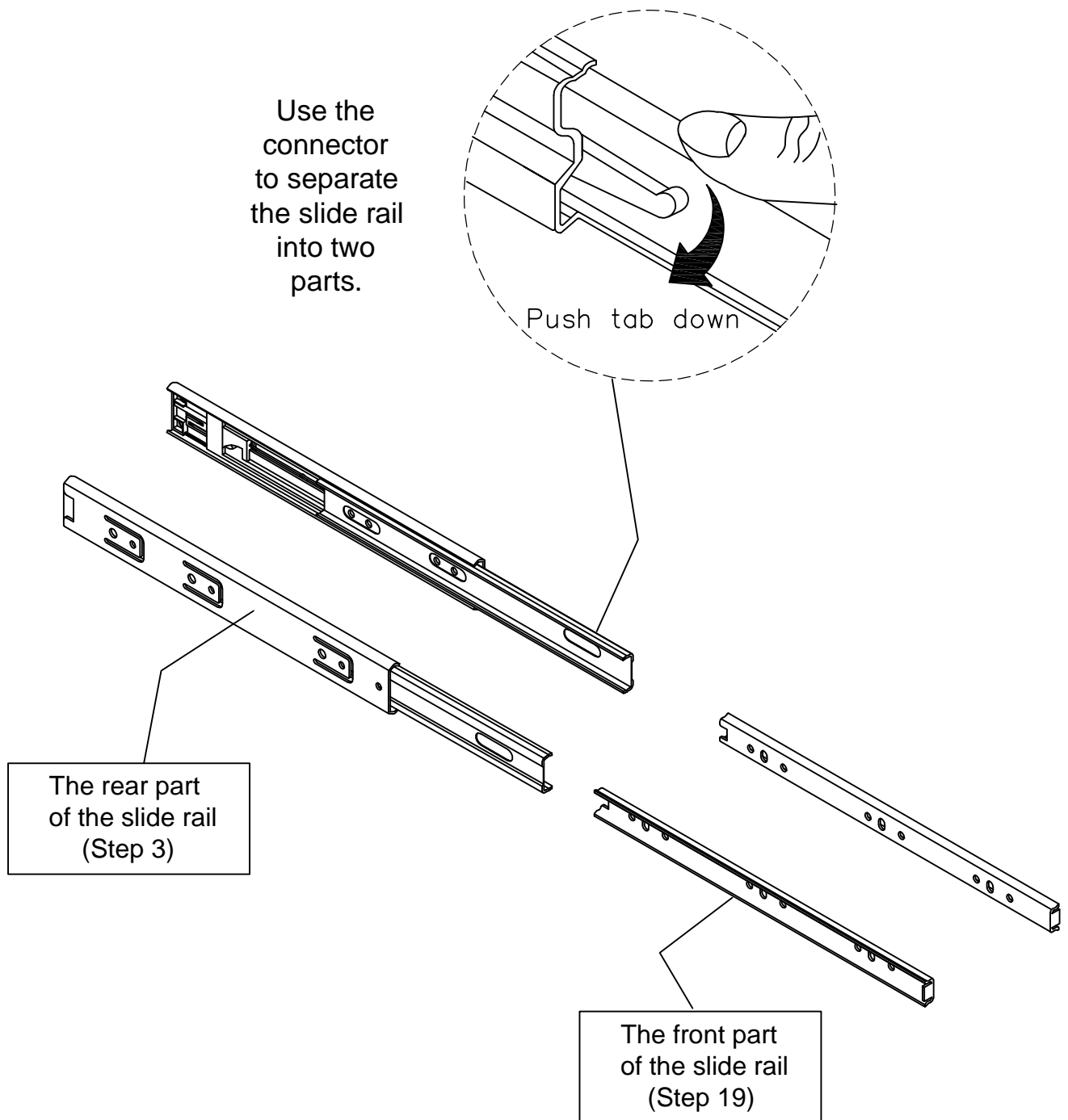


PARTS LIST

PARTS LIST		
No	Description	Qty
1		1
2		1
3		1
4		1
5		1
6		1
7		1
8		1
9		1
10		1
11		1
12		1
13		2
14		6
15		1
16		1
17		3
18		2
19		1
20		2

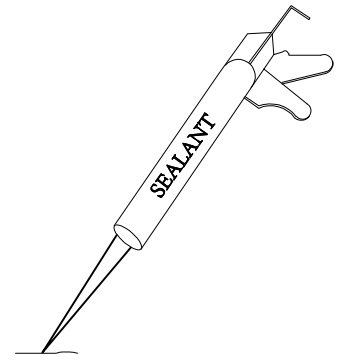
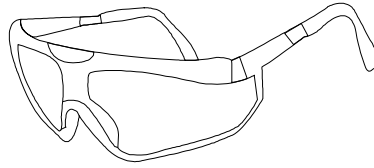
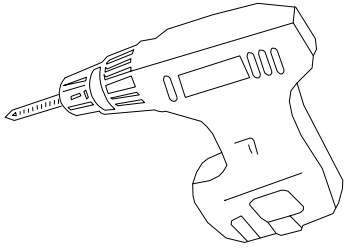
PARTS LIST		
No	Description	Qty
A	 Three-in-one Connector	59
B	 Long handle	3
C	 Short handle	3
D	 Handle Screws M4x22	6
E	 Handle Screws M4x18	6
F	 Medium Curved Hinge	2
G	 Highly Curved Hinge	2
H	 Screws M3.5x15	24
I	 The slides	8
J	 Screws M3x12	64
K	 Wood Plug	37
L	 Screws For Fix On The Wall	2
M	 Screws M4x25	2
N	 Screwdriver	1
P	 Double-sided tape	1

THE SLIDE



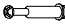
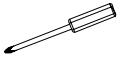
- Use the connector to separate the slide rail into two parts.
- The front part of the slide rail is attached to both side panels of the drawer using screws in the pre-drilled positioning holes (Step 3)
- While the rear part of the slide rail is attached to both side panels of the cabinet using screws in the pre-drilled positioning holes (Step 19)

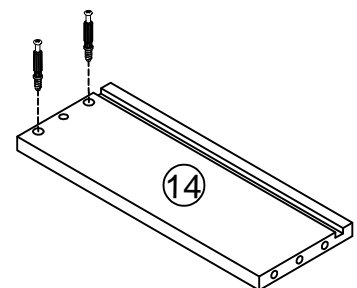
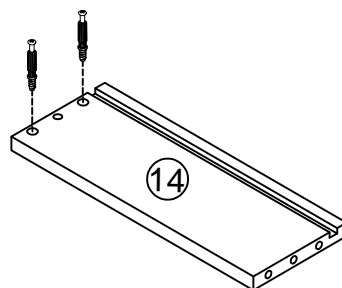
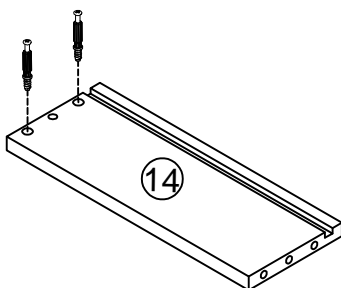
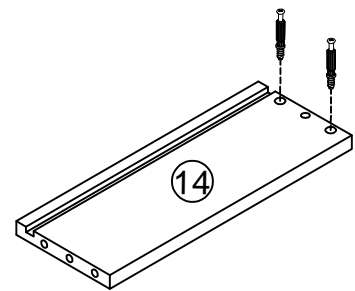
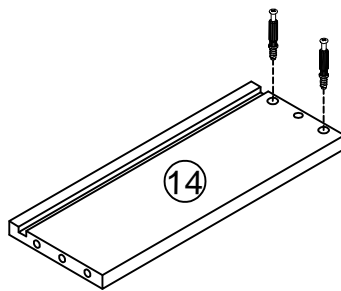
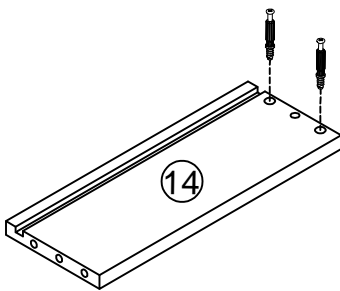
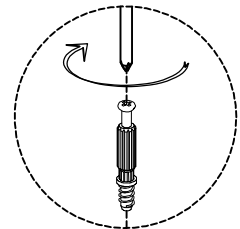
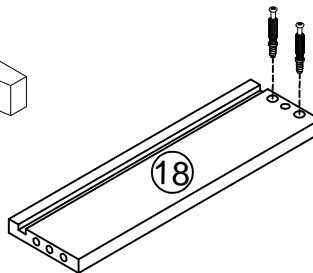
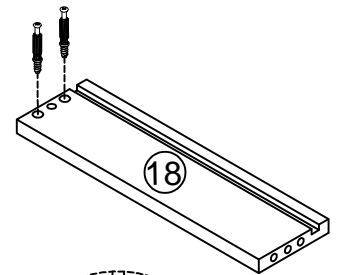
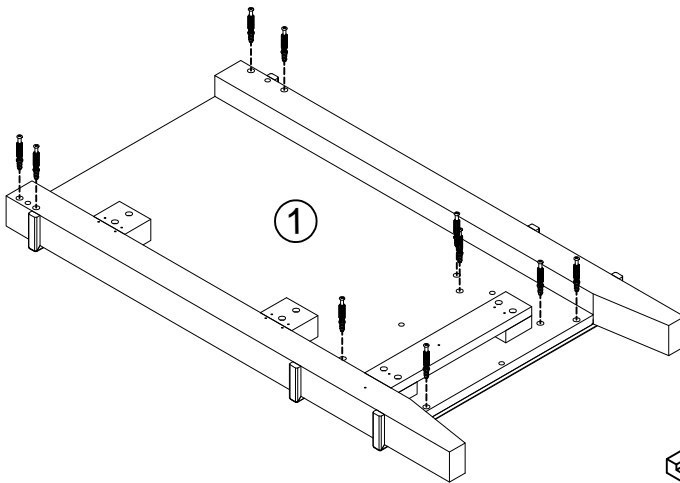
YOU MAY NEED (NOT SUPPLIED)



INSTALLATIONS

STEP 1

HARDWARE LIST	
A  26 PCS	

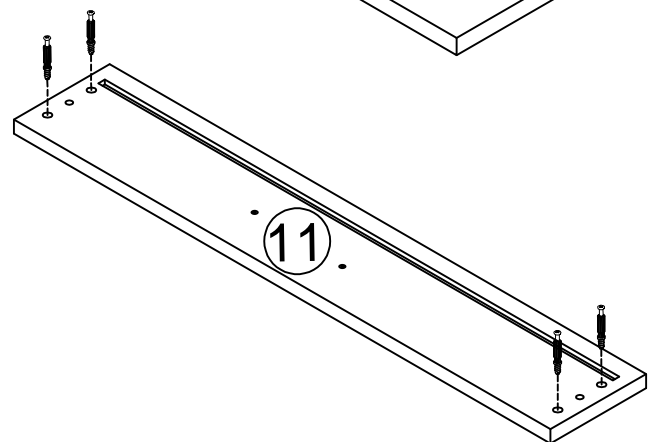
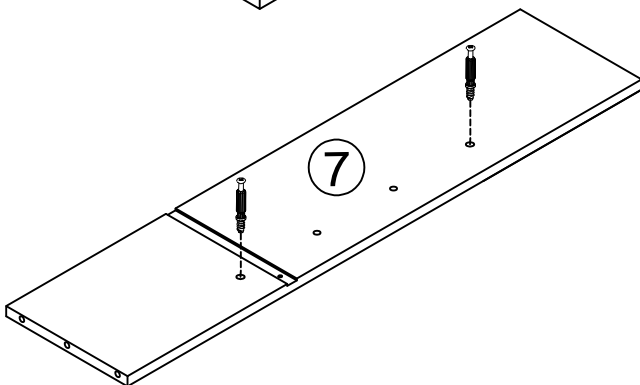
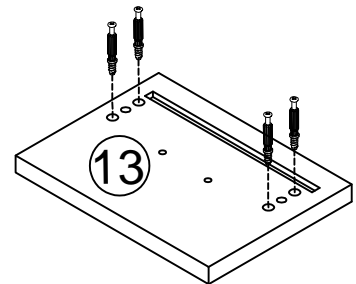
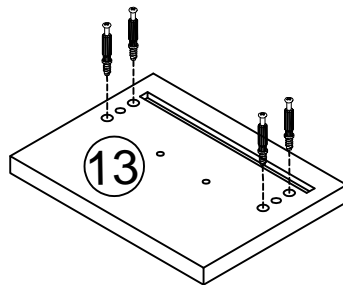
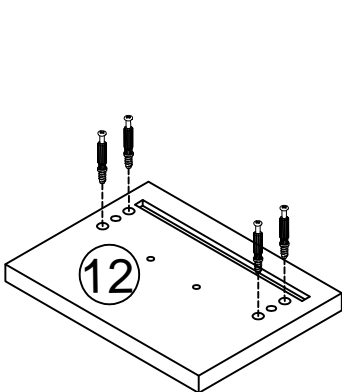
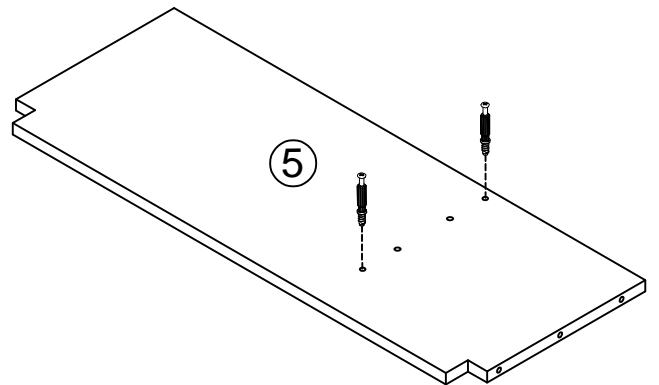
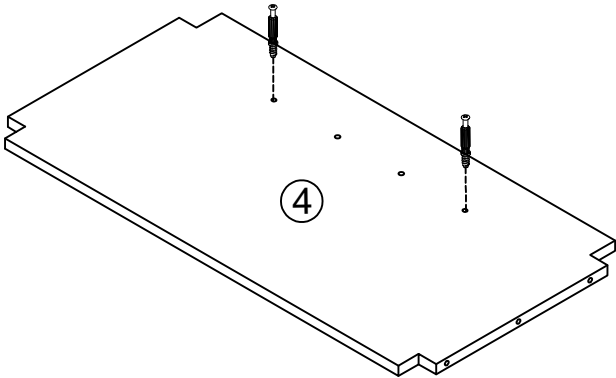
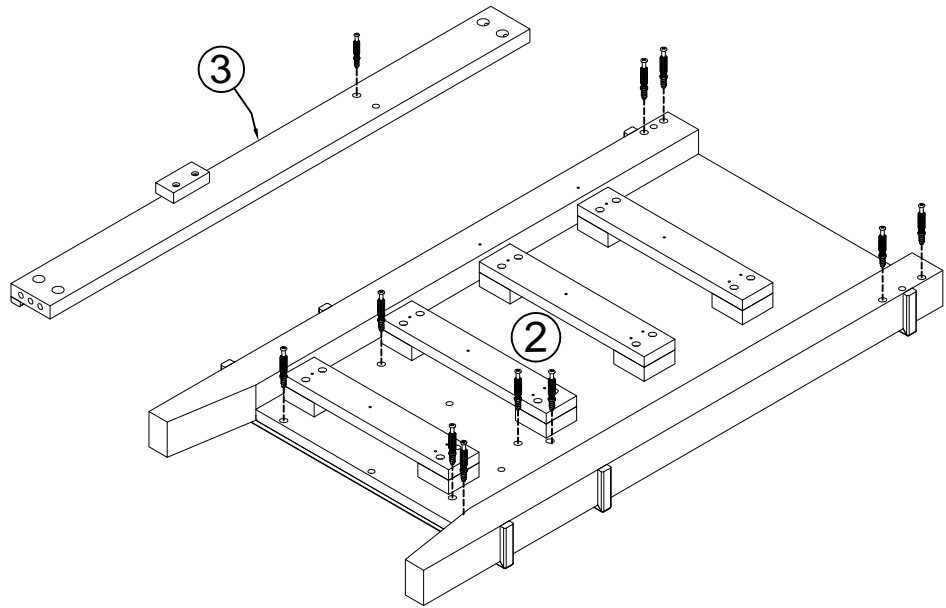
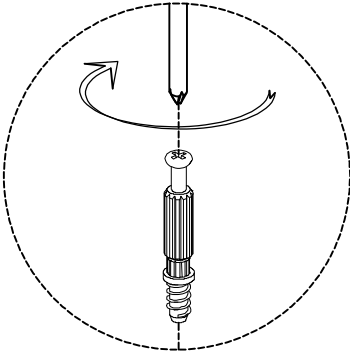
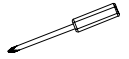


○ Insert the Cam Screw into the shelves above

STEP 2

HARDWARE LIST

A  33 PCS



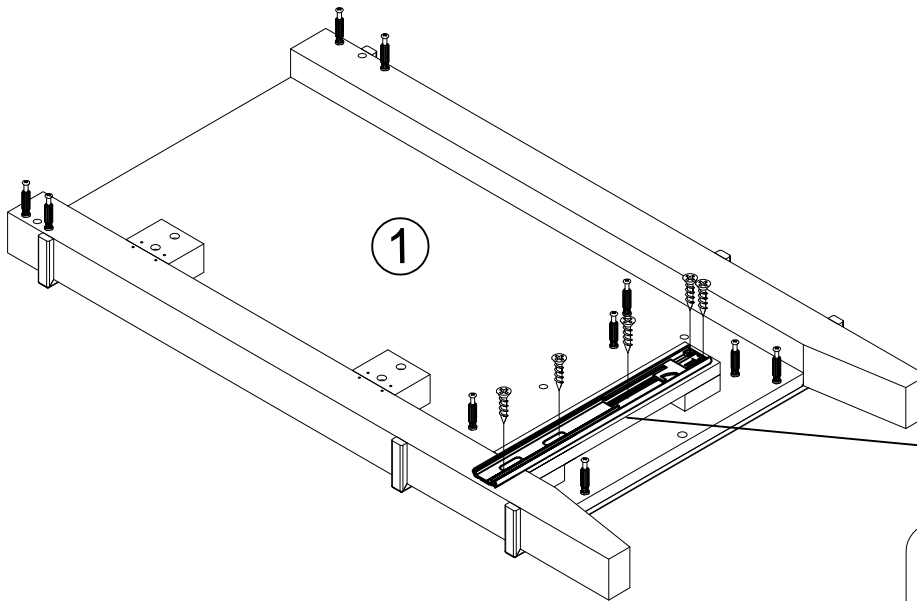
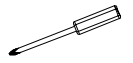
○ Insert the Cam Screw into the shelves above

STEP 3

HARDWARE LIST

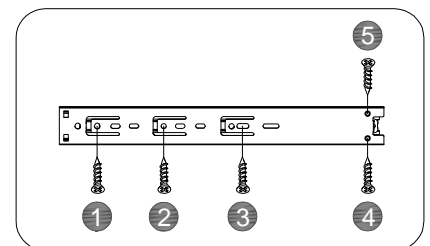
I  8 PCS

J  40 PCS

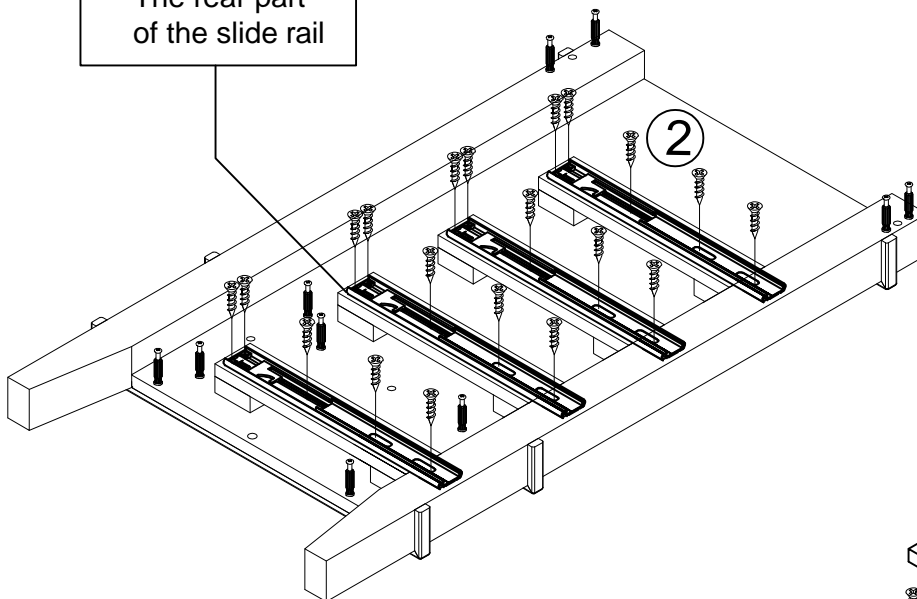


1

The rear part of the slide rail

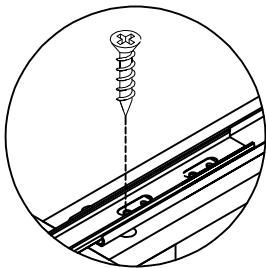


The rear part of the slide rail

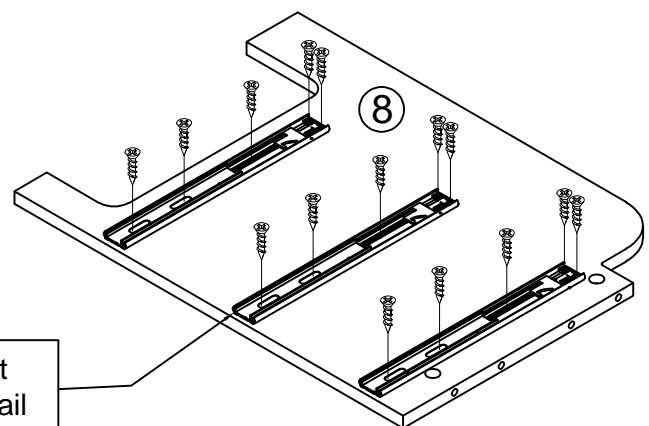


2

The rear part of the slide rail



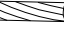

The rear part of the slide rail

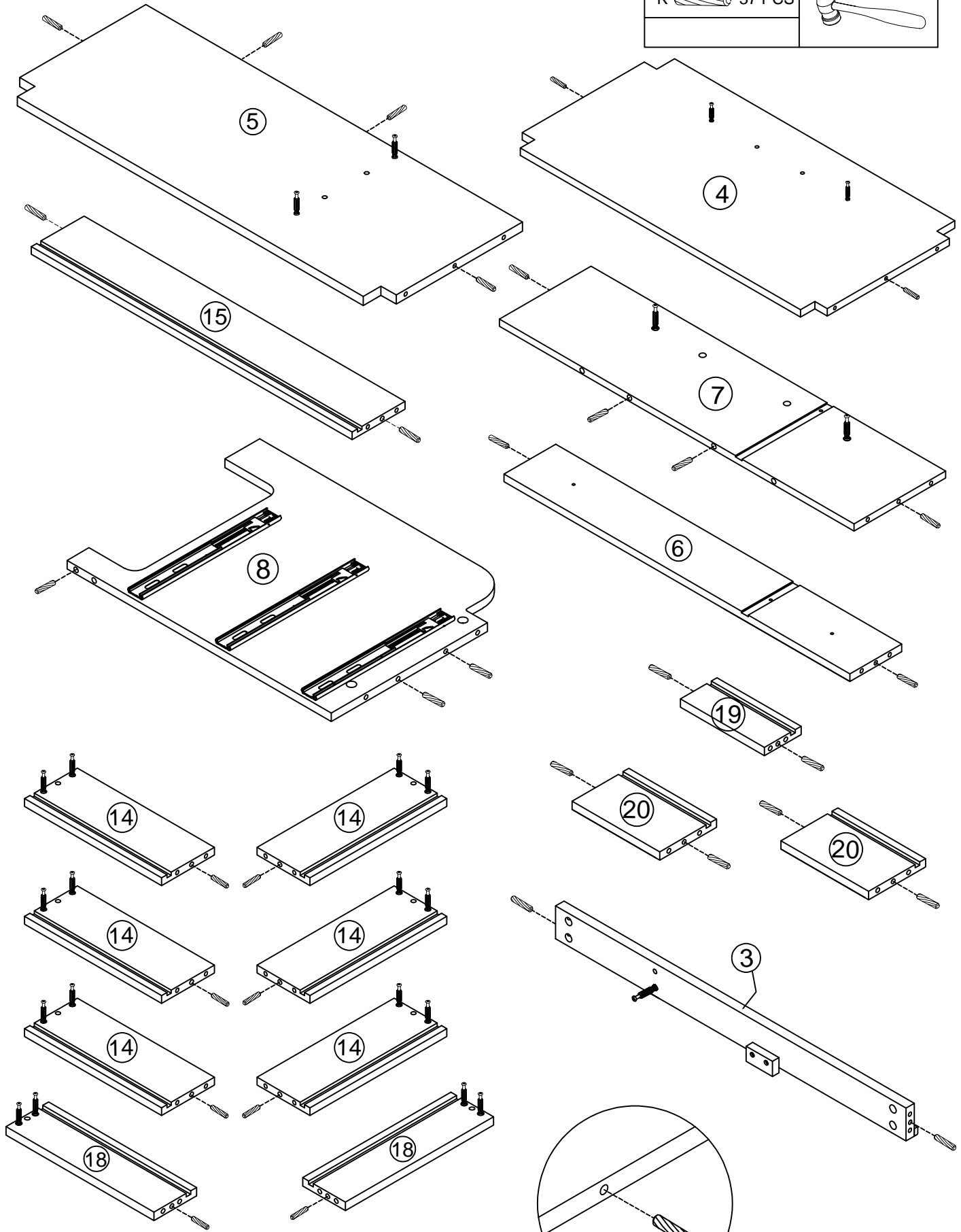


8

- While the rear part of the slide rail is attached to both side panels of the cabinet using screws in the pre-drilled positioning holes
- Rotate clockwise the #23 into side panel #1, #2


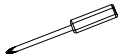
STEP 4

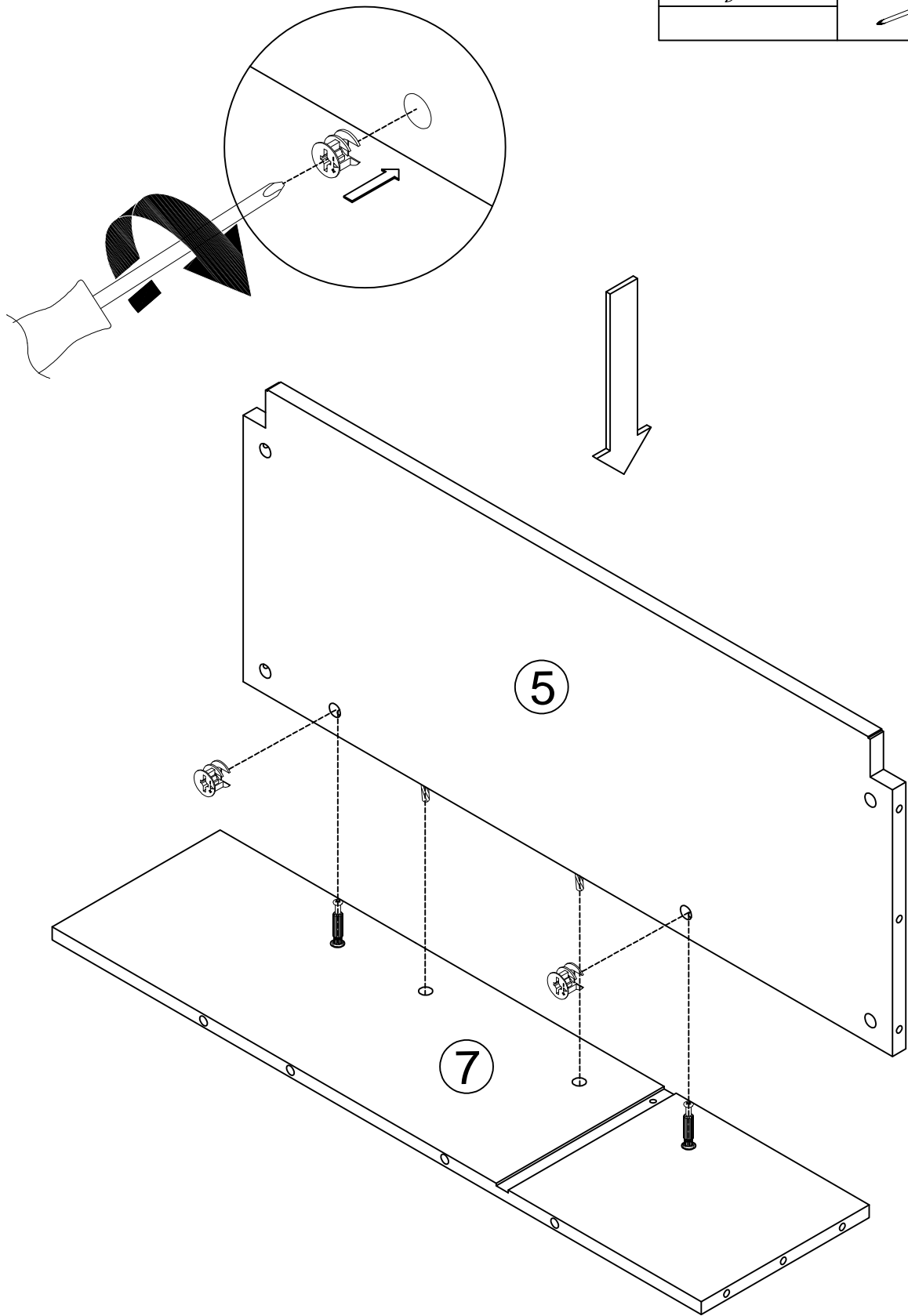
HARDWARE LIST	
K  37 PCS	



○ Insert the wooden dowel pins into the shelves


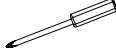
STEP 5

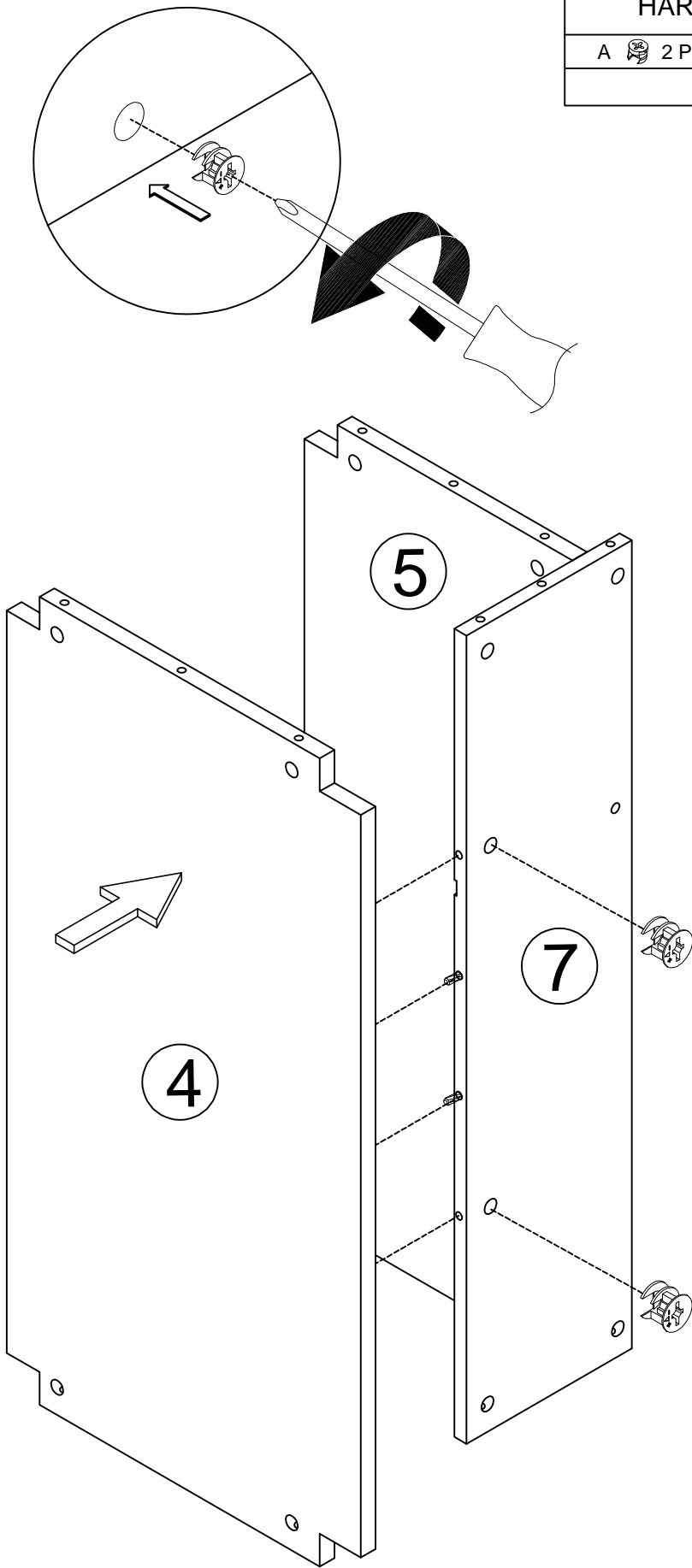
HARDWARE LIST	
A  2 PCS	



◦ Refer to the illustration, already assembled #7 on the shelf #5. Then tighten the cam lock


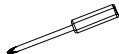
STEP 6

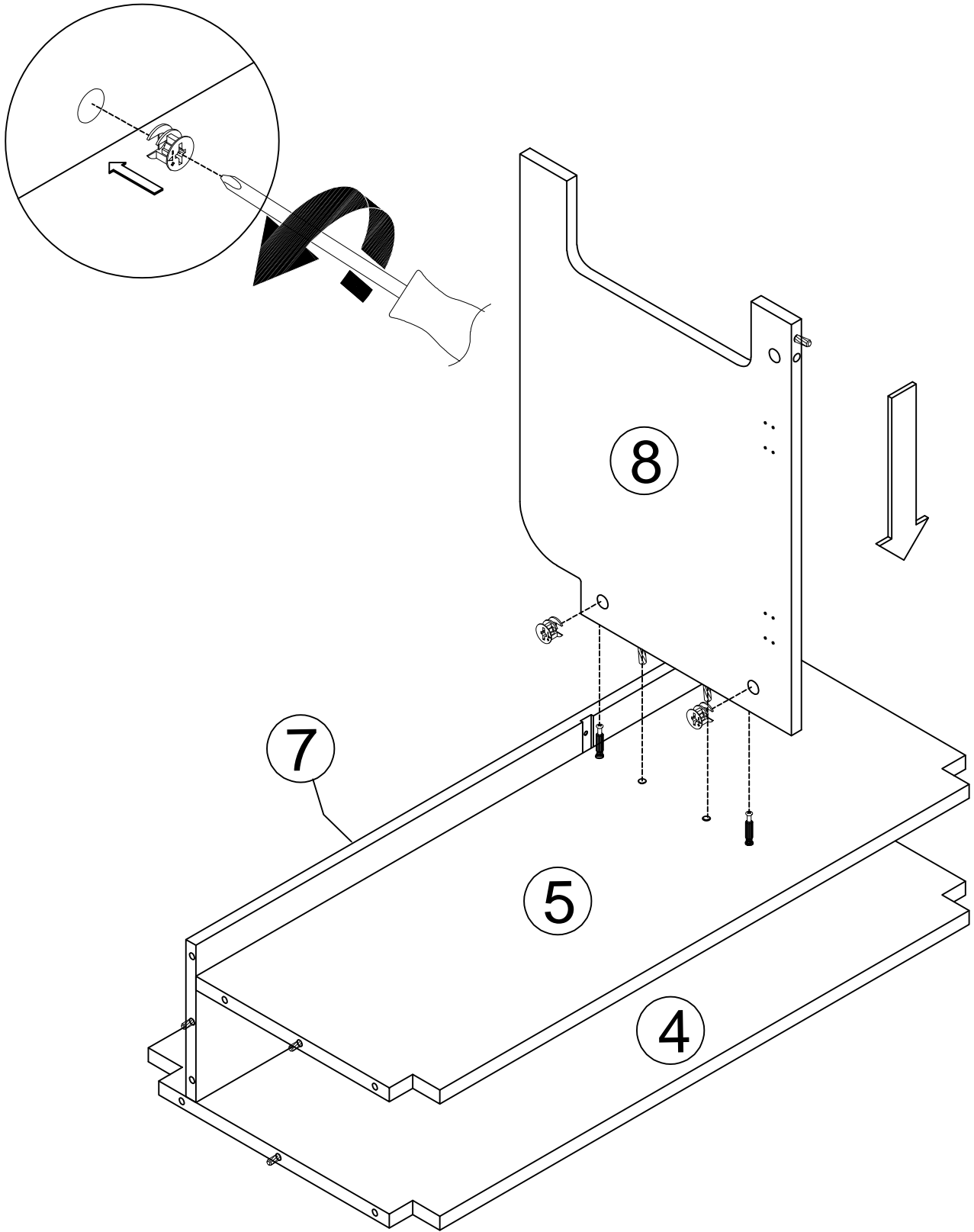
HARDWARE LIST	
A	 2 PCS
	



○ Refer to the illustration, already assembled #4, #23 on the shelf #7. Then tighten the cam lock


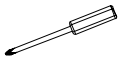
STEP 7

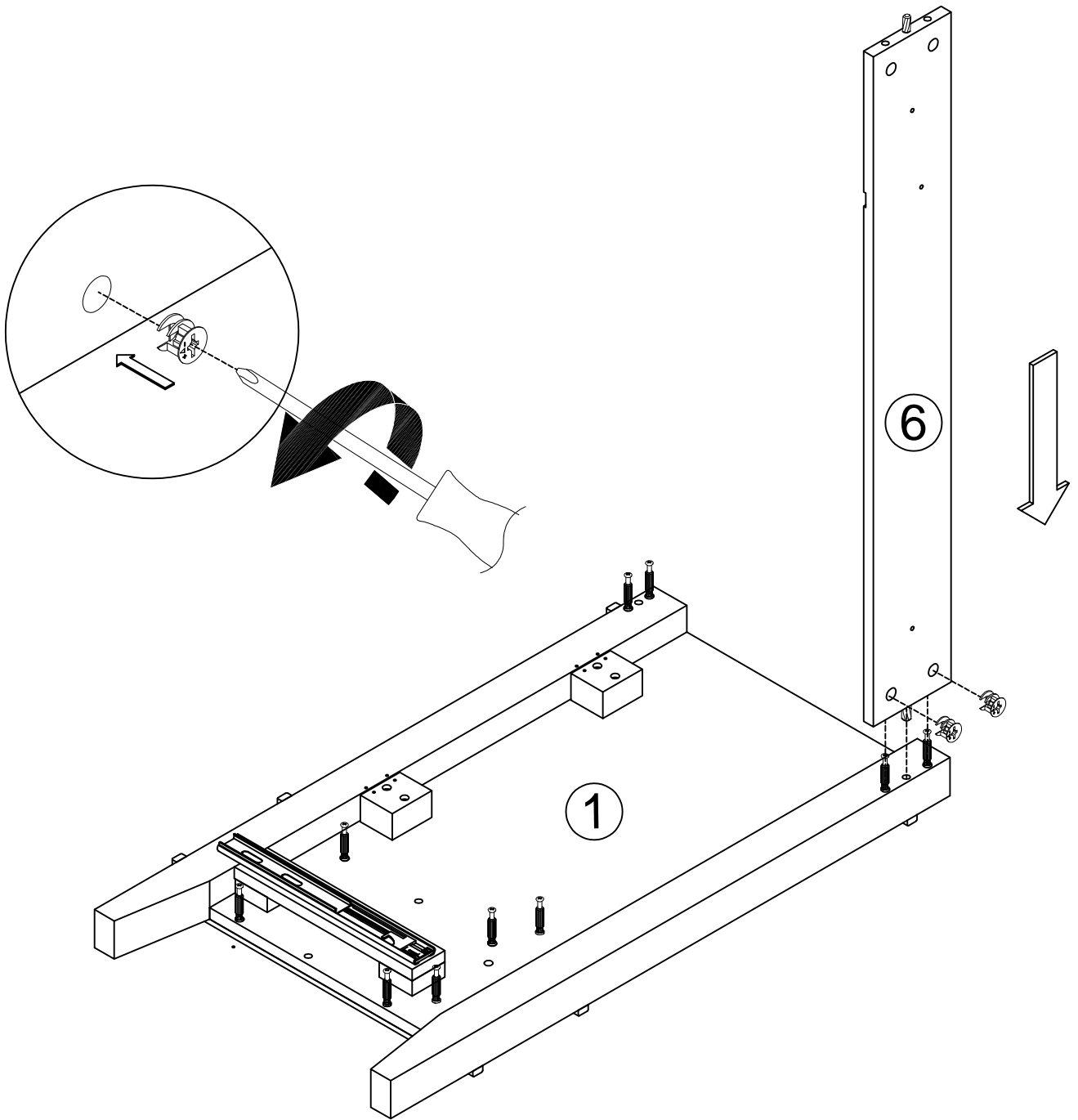
HARDWARE LIST	
A	 2 PCS
	



○ Refer to the illustration, already assembled #8 on the shelf #5. Then tighten the cam lock


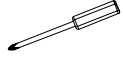
STEP 8

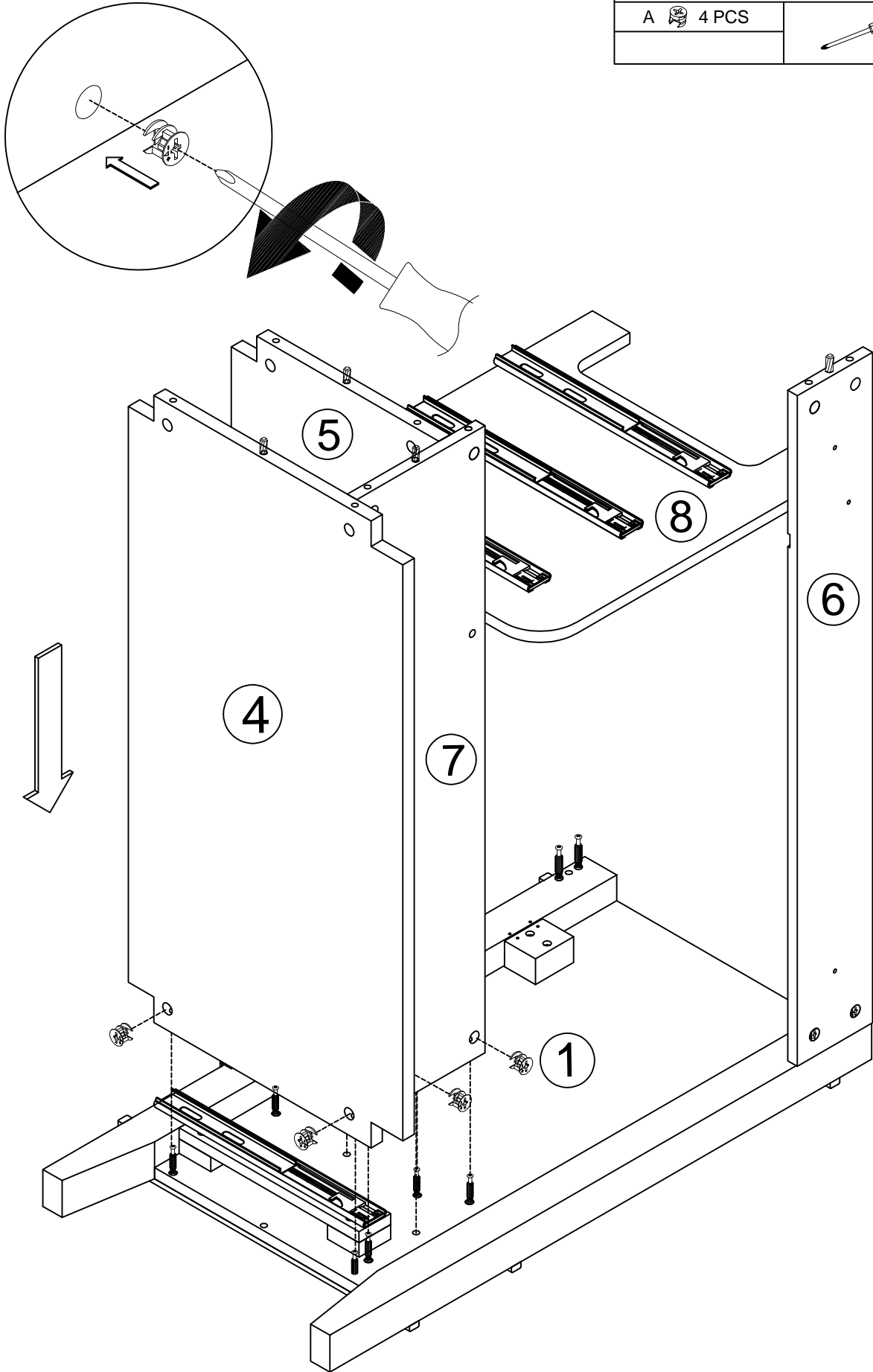
HARDWARE LIST	
A	 2 PCS
	



○ Refer to the illustration, already assembled #6 on the side panel. #1. Then tighten the cam lock


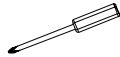
STEP 9

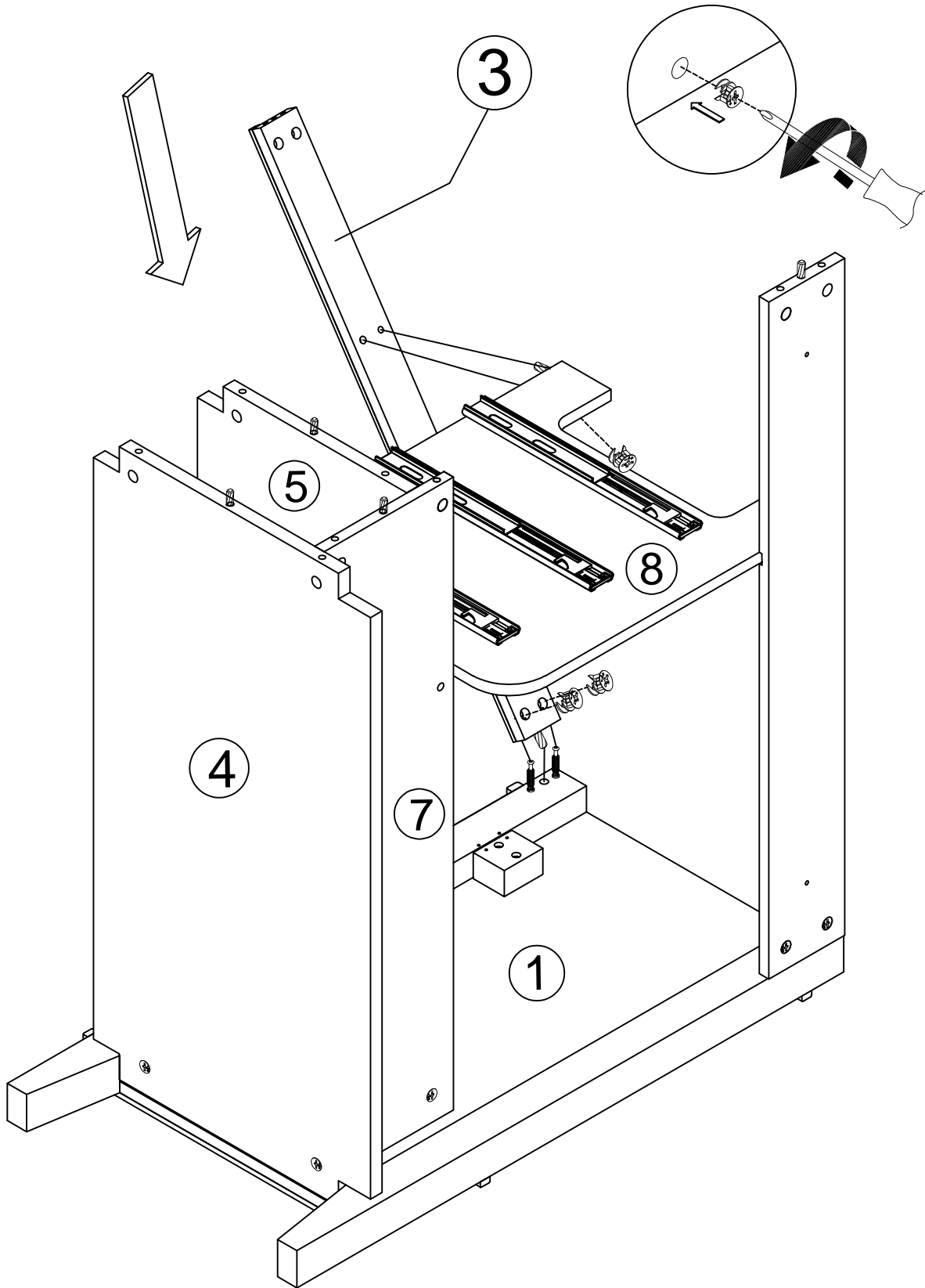
HARDWARE LIST	
A	 4 PCS
	



- Refer to the illustration, already assembled #4, #5, #7, #8 on the side panel. #1. Then tighten the cam lock

STEP 10

HARDWARE LIST	
A	 2 PCS
	

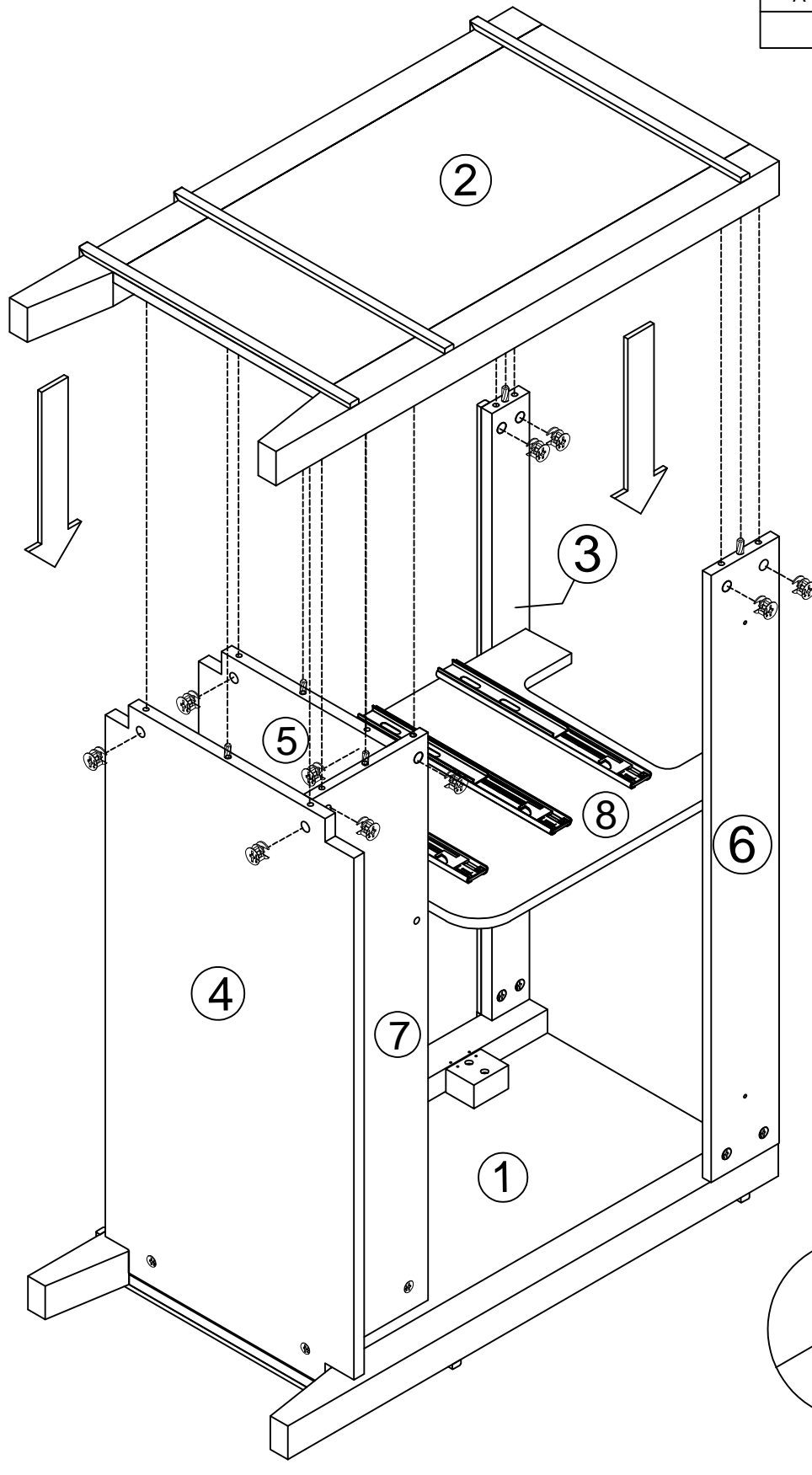
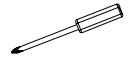


- Refer to the illustration, already assembled #3 on the side panel. #1. Then tighten the cam lock

STEP 11

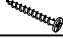
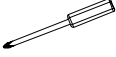
HARDWARE LIST

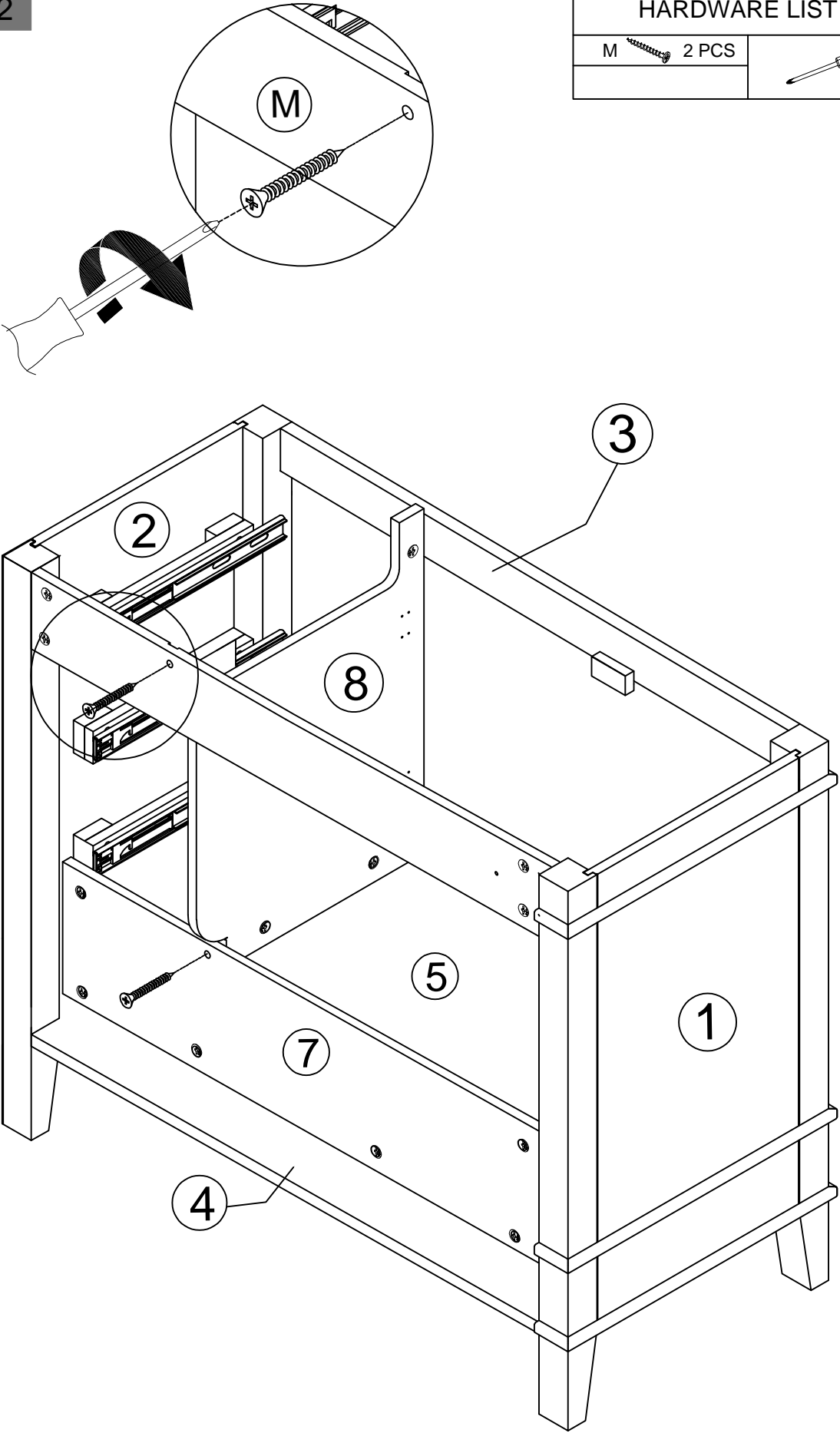
A  10 PCS



- Refer to the illustration, already assembled side panel #2 on the side sheft #5, #7, #4, #6 . Then tighten the cam lock

STEP 12

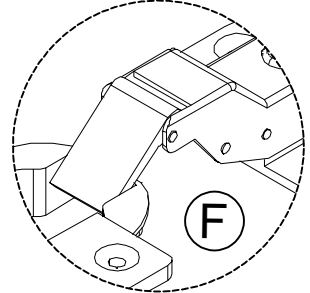
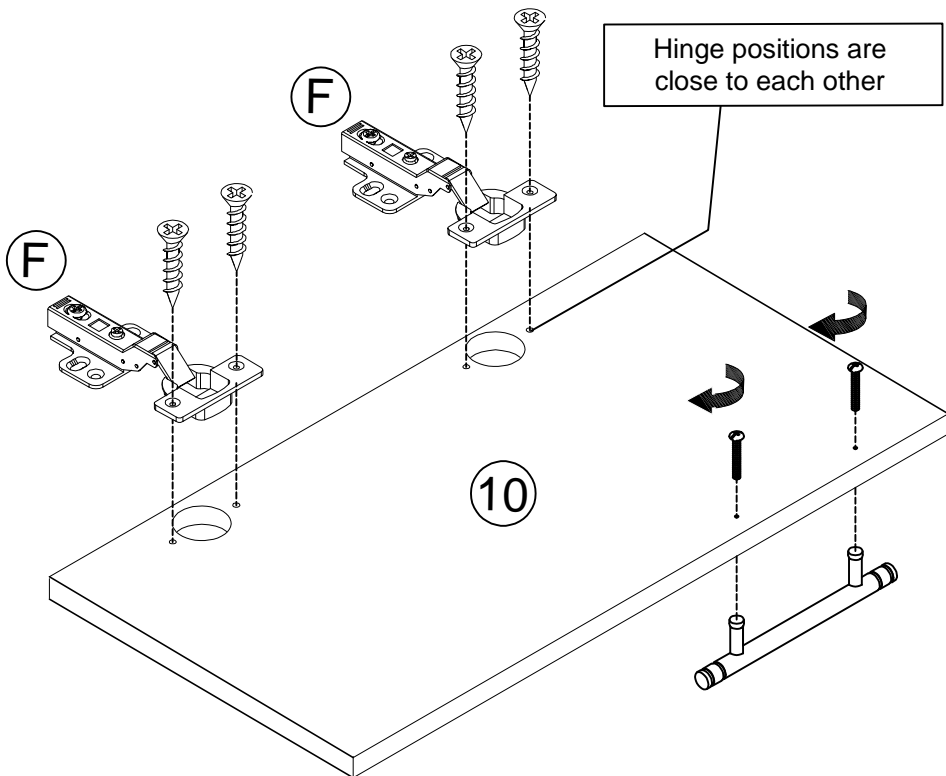
HARDWARE LIST	
M	 2 PCS
	



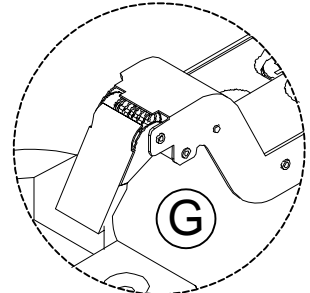
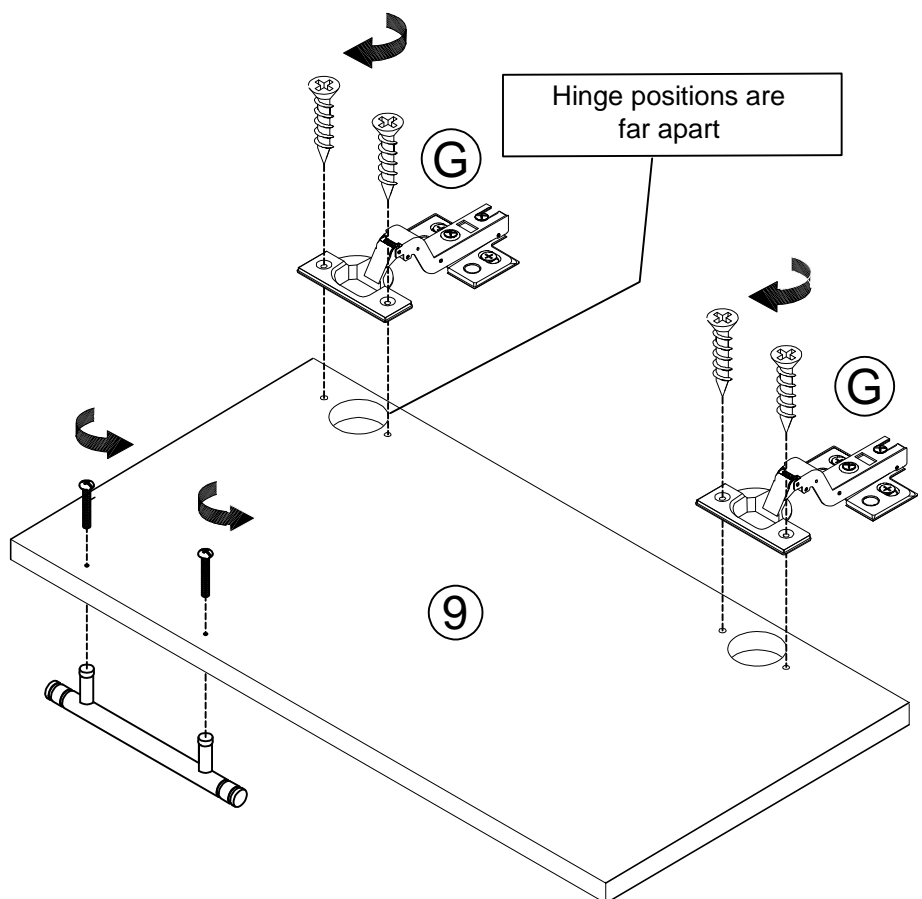
○ Use screws to fasten from back to front.

STEP 13

HARDWARE LIST	
F	2 PCS
G	2 PCS
H	8 PCS
B	2 PCS
D	4 PCS



Medium Curved Hinge



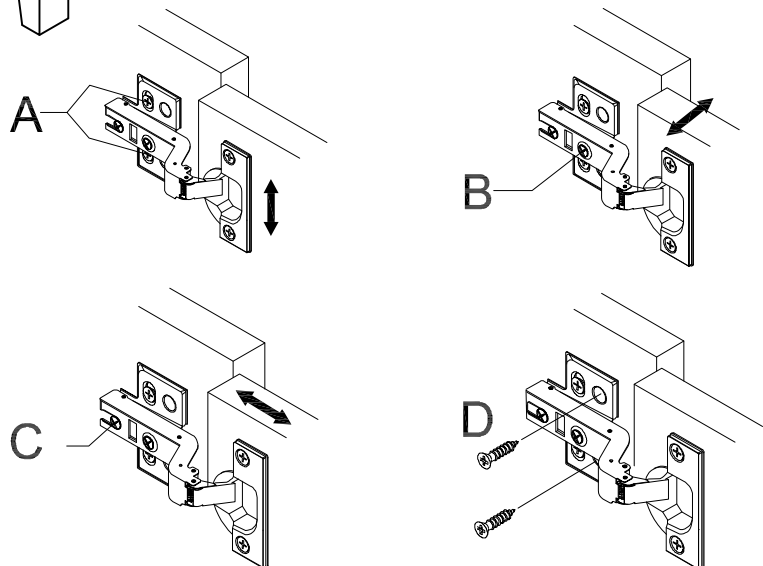
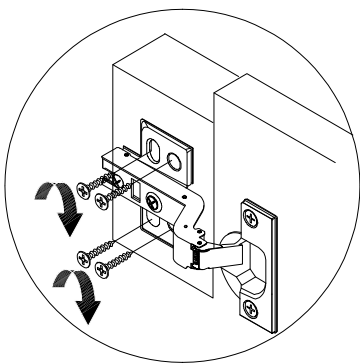
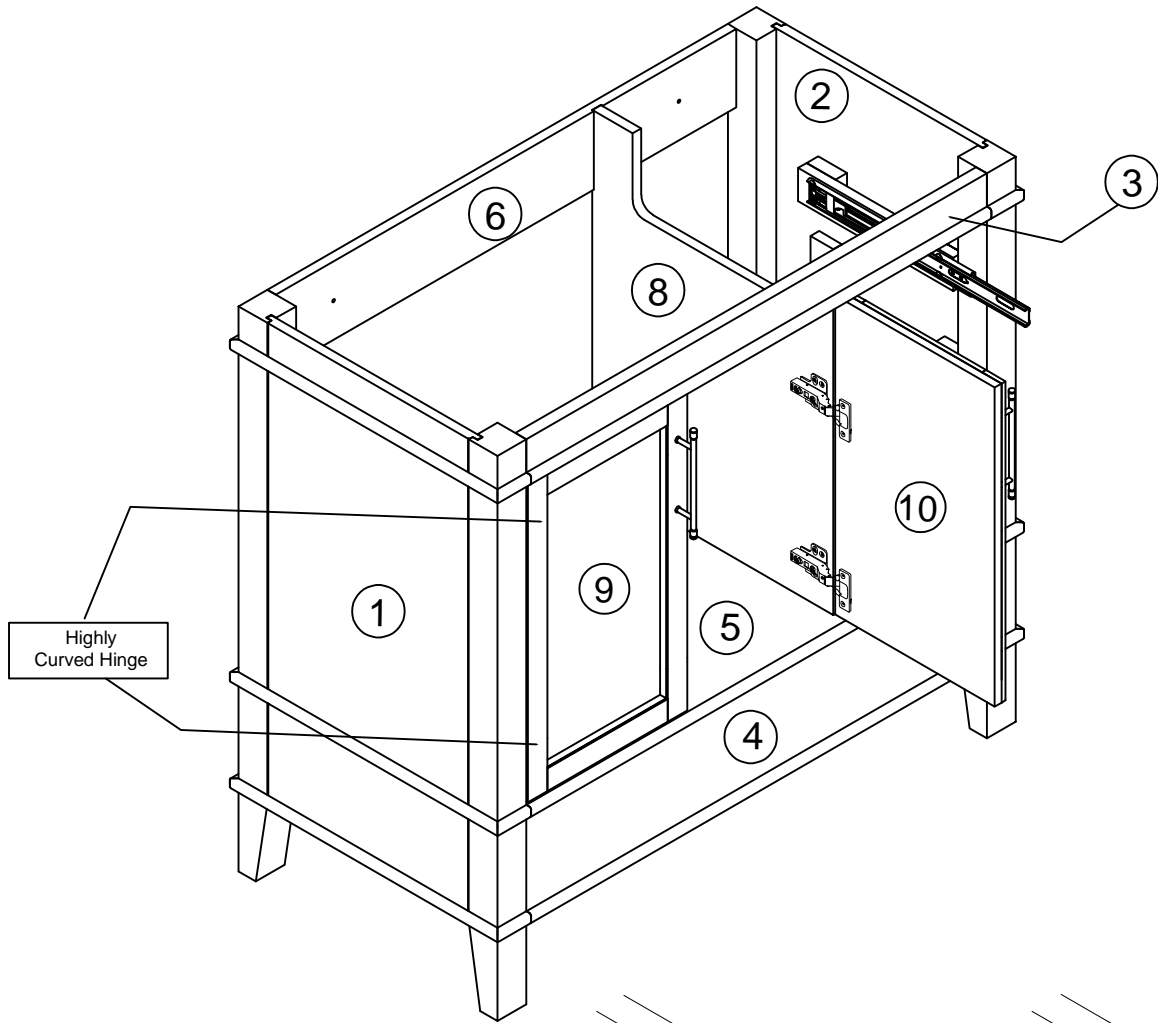
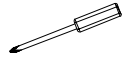
Highly Curved Hinge

○ Use Screws to install the handle and apply Screws to fix the hinge on the shelf #9 and #10

STEP 14

HARDWARE LIST

H  8 PCS



A. Height adjustment
C. Depth adjustment

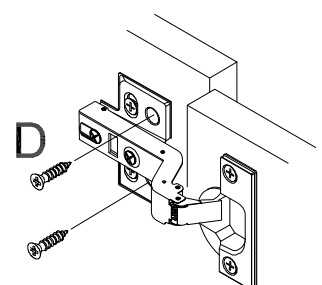
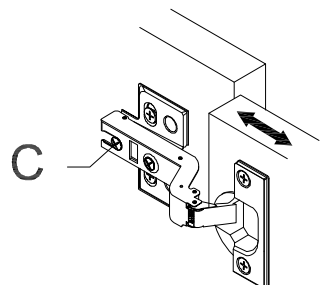
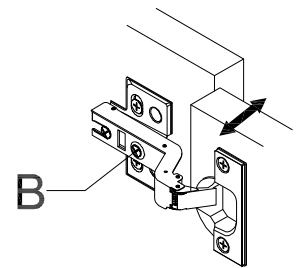
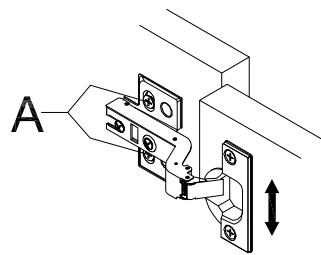
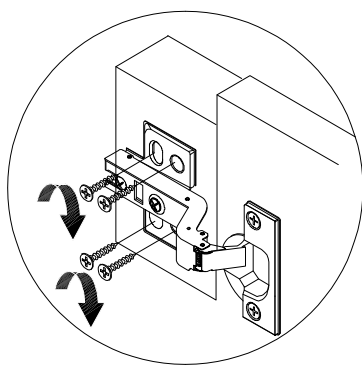
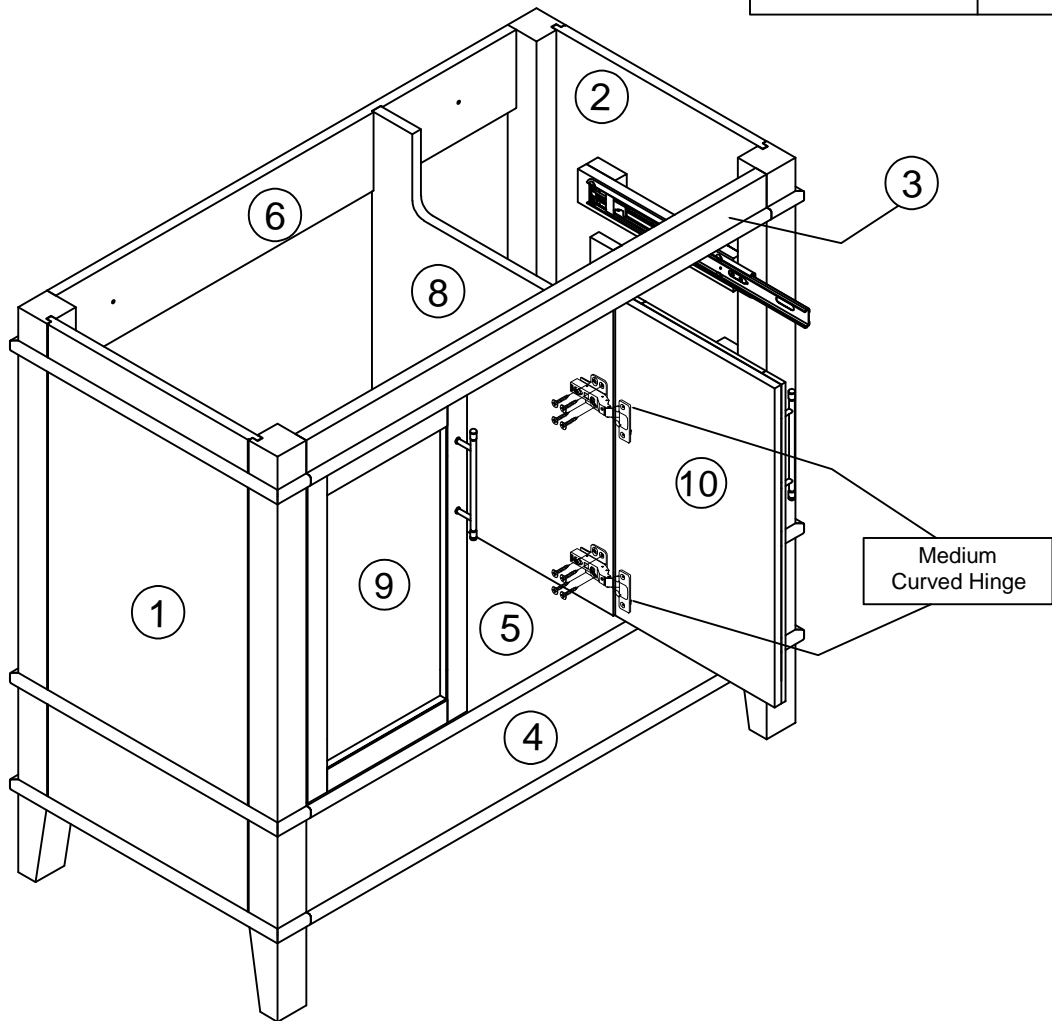
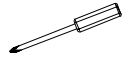
B. Side to side adjustment
D. After adjustment A/B/C, tighten screws

- Install the door on the cabinet; Door #10 uses a "Highly Curved Hinge", installed on the left side of the cabinet
- To ensure proper cabinet alignment, refer to the above illustrations for instructions about adjusting the cabinet height, depth and lateral movement

STEP 15

HARDWARE LIST

H  8 PCS



A. Height adjustment
C. Depth adjustment

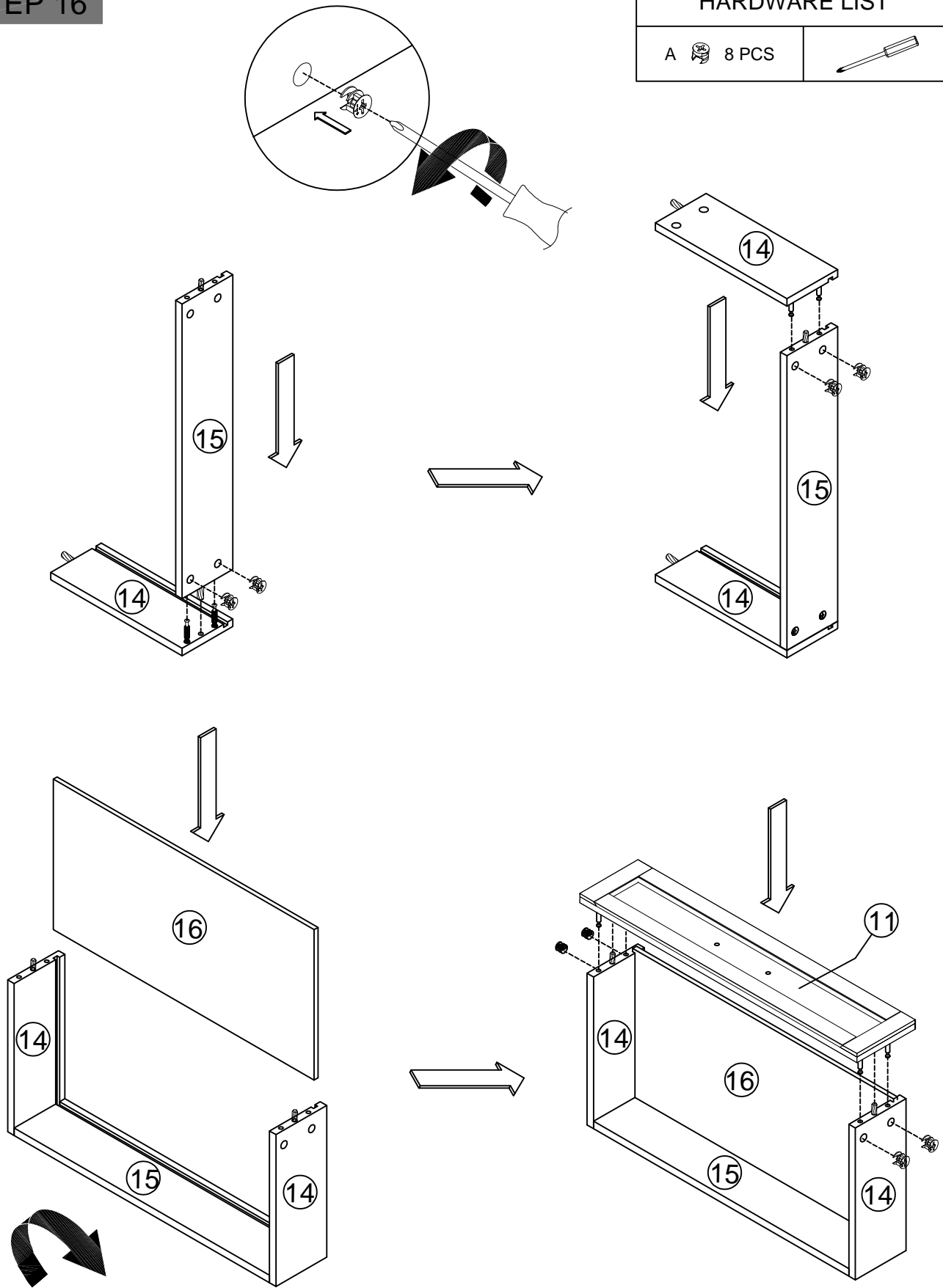
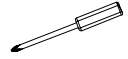
B. Side to side adjustment
D. After adjustment A/B/C, tighten screws

- Install the door on the cabinet; Door #9 uses a "Medium Curved Hinge", installed on the right side of the cabinet
- To ensure proper cabinet alignment, refer to the above illustrations for instructions about adjusting the cabinet height, depth and lateral movement

STEP 16

HARDWARE LIST

A  8 PCS

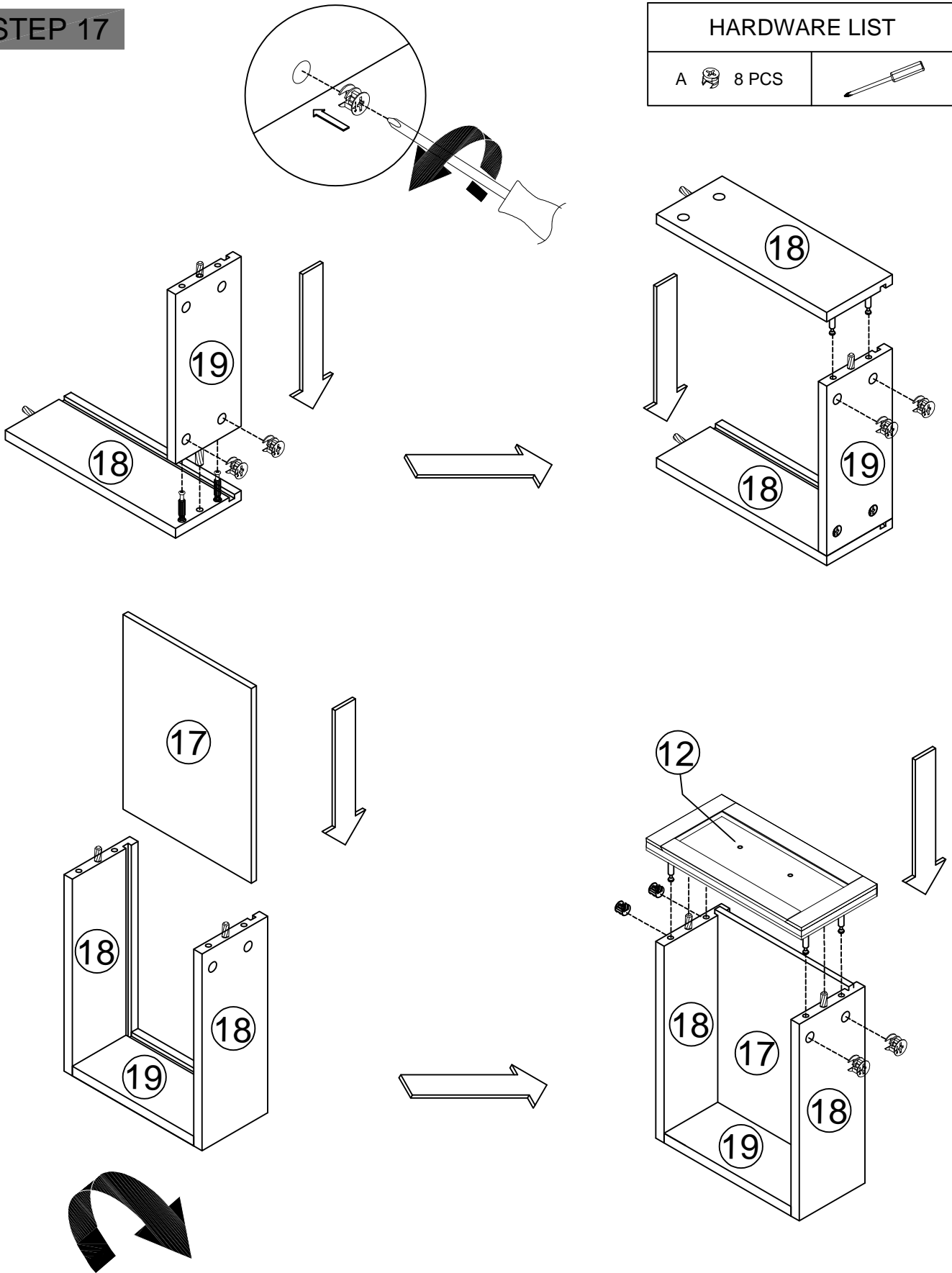
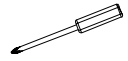


- The side panels of drawer #14 are connected to the back panel of drawer #15 using Camlock, then the bottom panel of drawer #16 is inserted into the groove.
- The front panel of drawer #11 is connected to the side panels of drawers #14 using Camlock

STEP 17

HARDWARE LIST

A  8 PCS

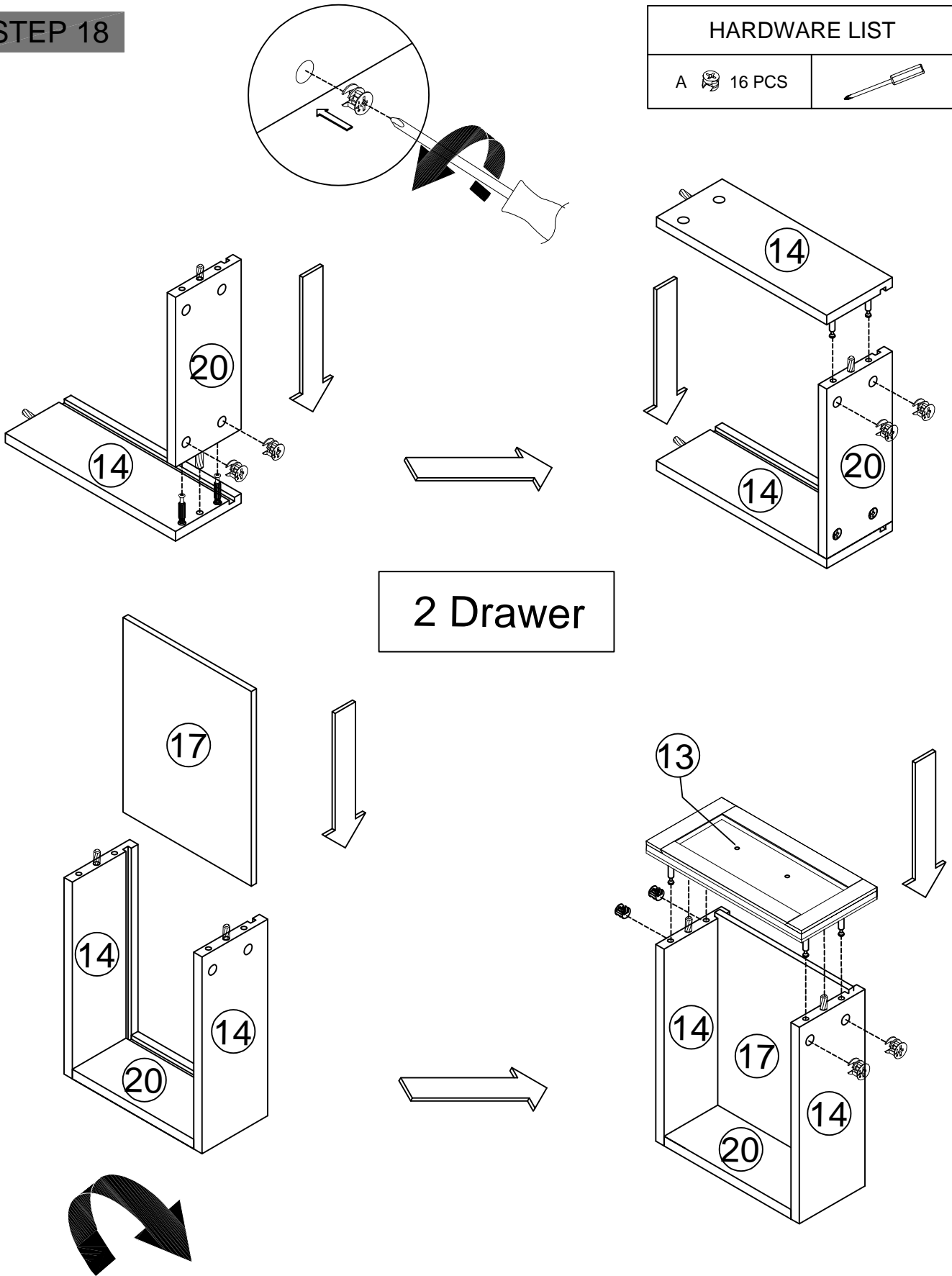
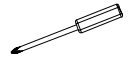


- The side panels of drawer #18 are connected to the back panel of drawer #19 using Camlock, then the bottom panel of drawer #17 is inserted into the groove.
- The front panel of drawer #12 is connected to the side panels of drawers #18 using Camlock

STEP 18





HARDWARE LIST

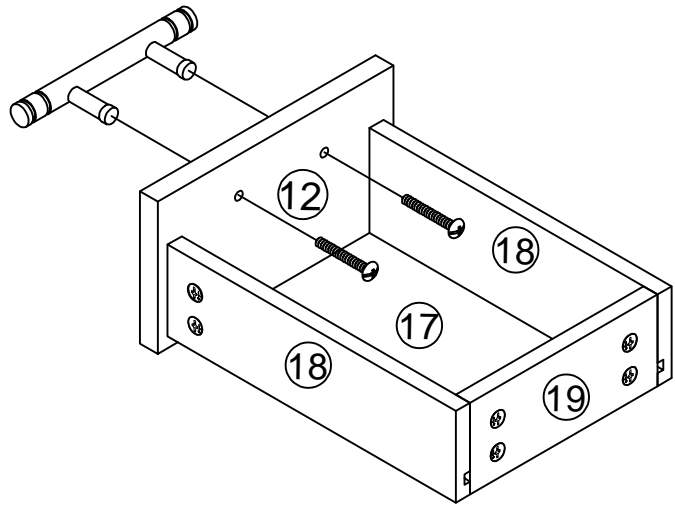
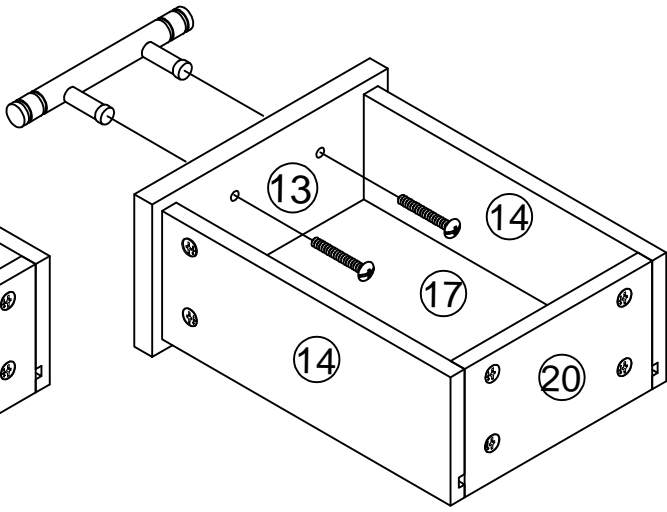
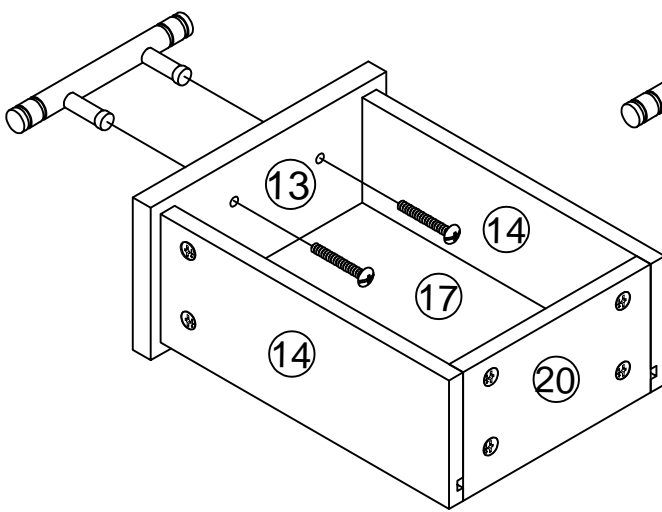
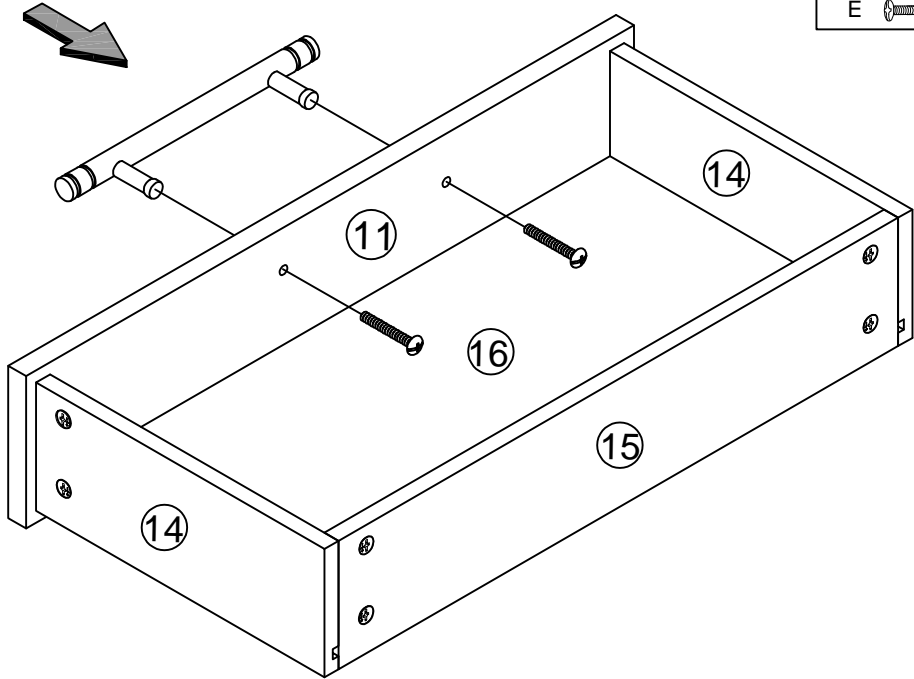
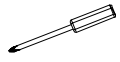
A  16 PCS



- The side panels of drawer #14 are connected to the back panel of drawer #20 using Camlock, then the bottom panel of drawer #17 is inserted into the groove.
- The front panel of drawer #13 is connected to the side panels of drawers #14 using Camlock

STEP 19

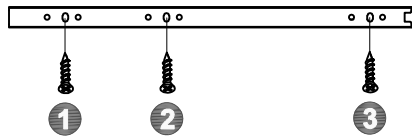
HARDWARE LIST	
B 	1 PCS
C 	3 PCS
D 	2 PCS
E 	6 PCS



○ Use Screws to install the handle.

STEP 20

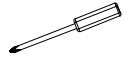
The front part
of the slide rail



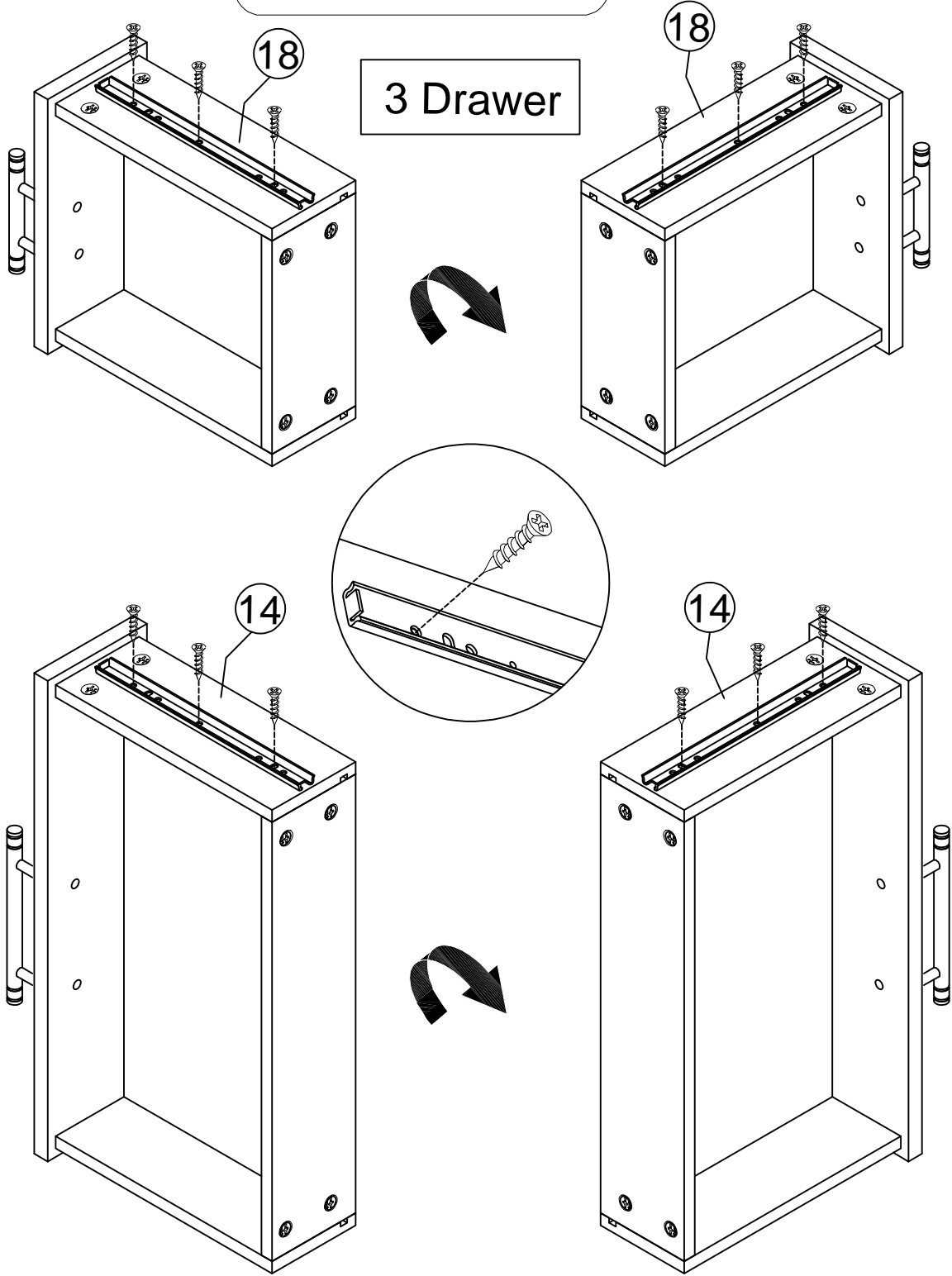
HARDWARE LIST

I 8 PCS

J 24 PCS

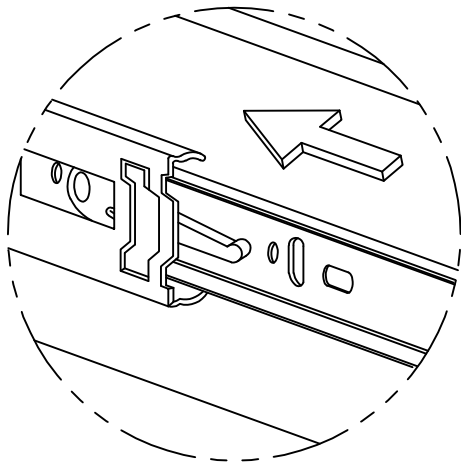
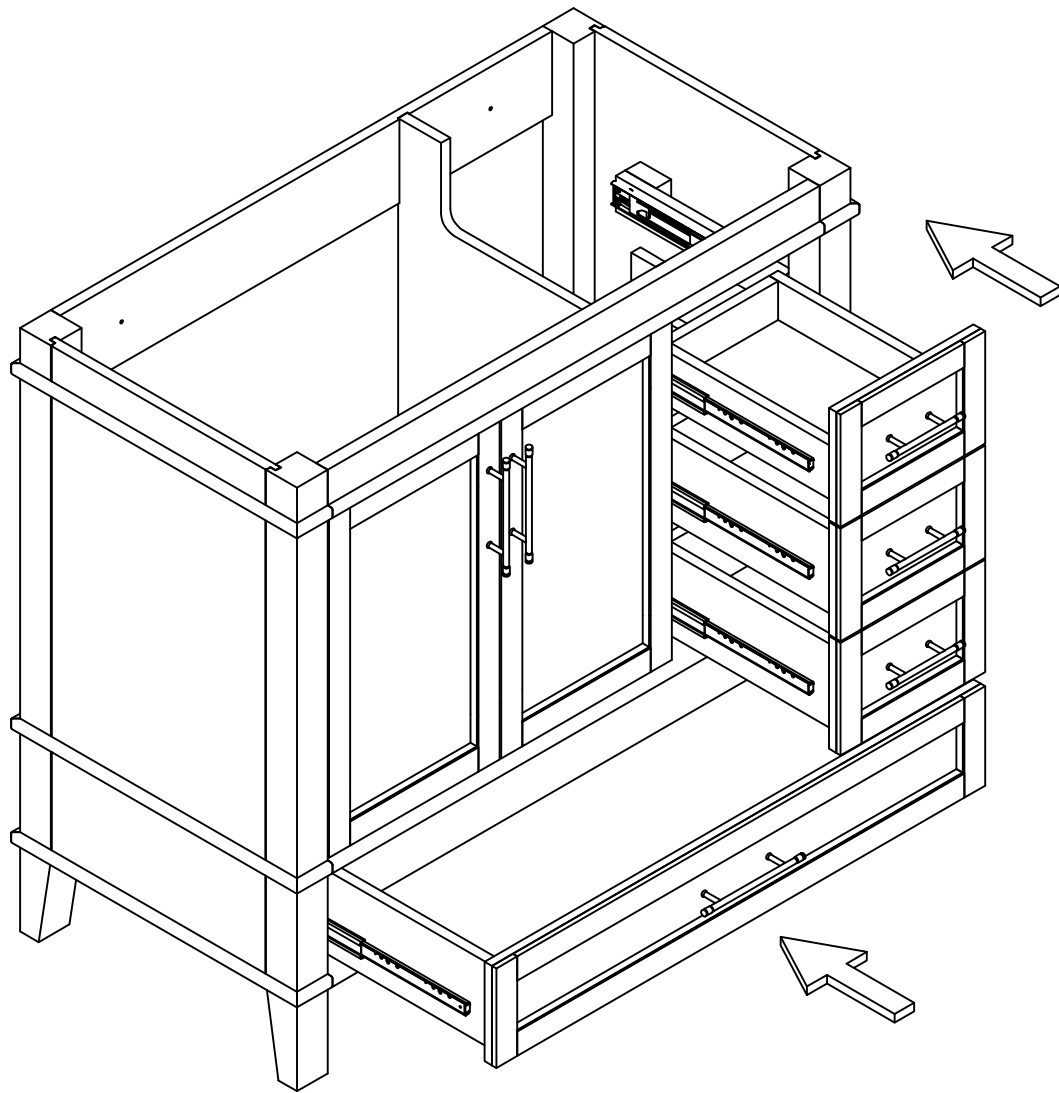


3 Drawer



○ The front part of the slide rail is attached to both side panels of the drawer using screws in the pre-drilled positioning holes

STEP 21




- Install the drawer so that it aligns with the slides already attached to the cabinet, then slowly push it in

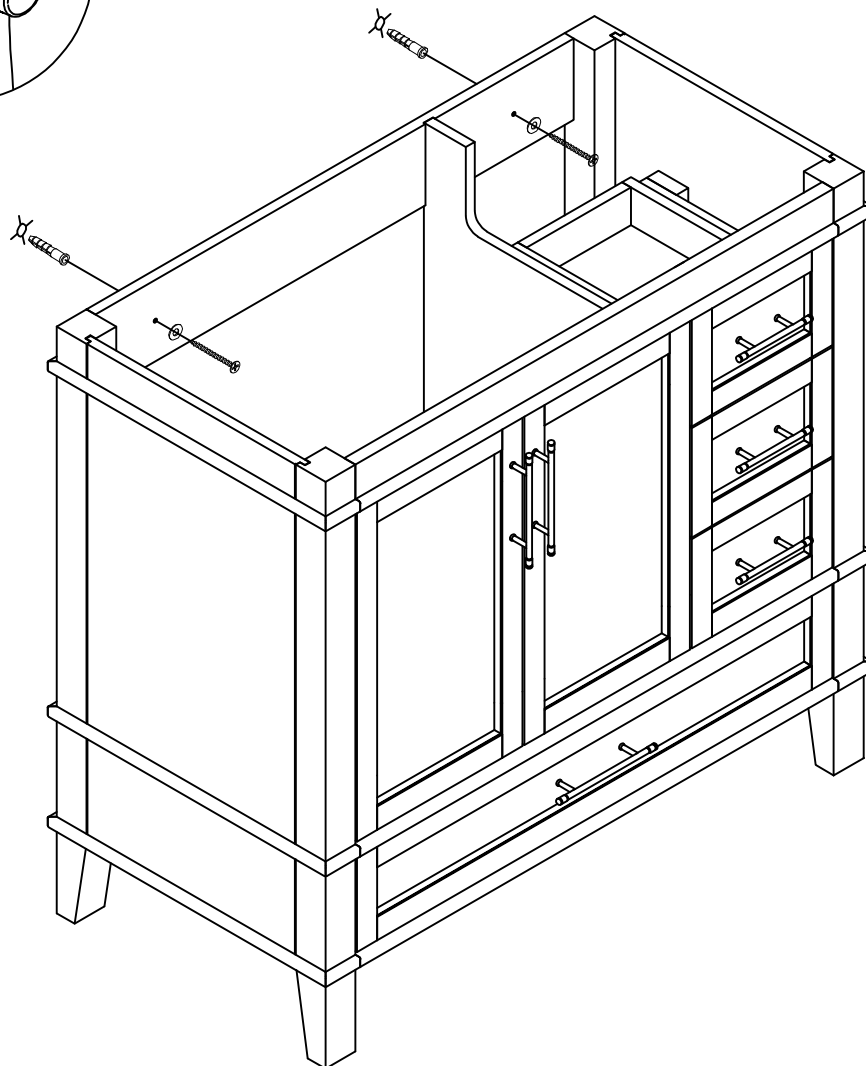
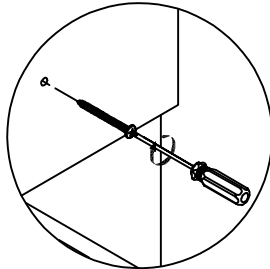
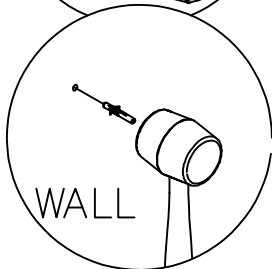
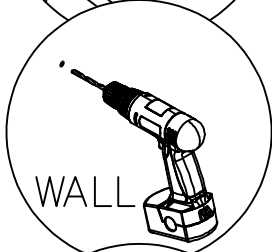
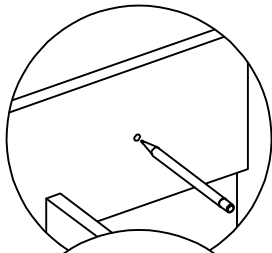
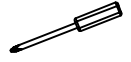
STEP 22

HARDWARE LIST

L  2 PCS

L  2 PCS

L  2 PCS

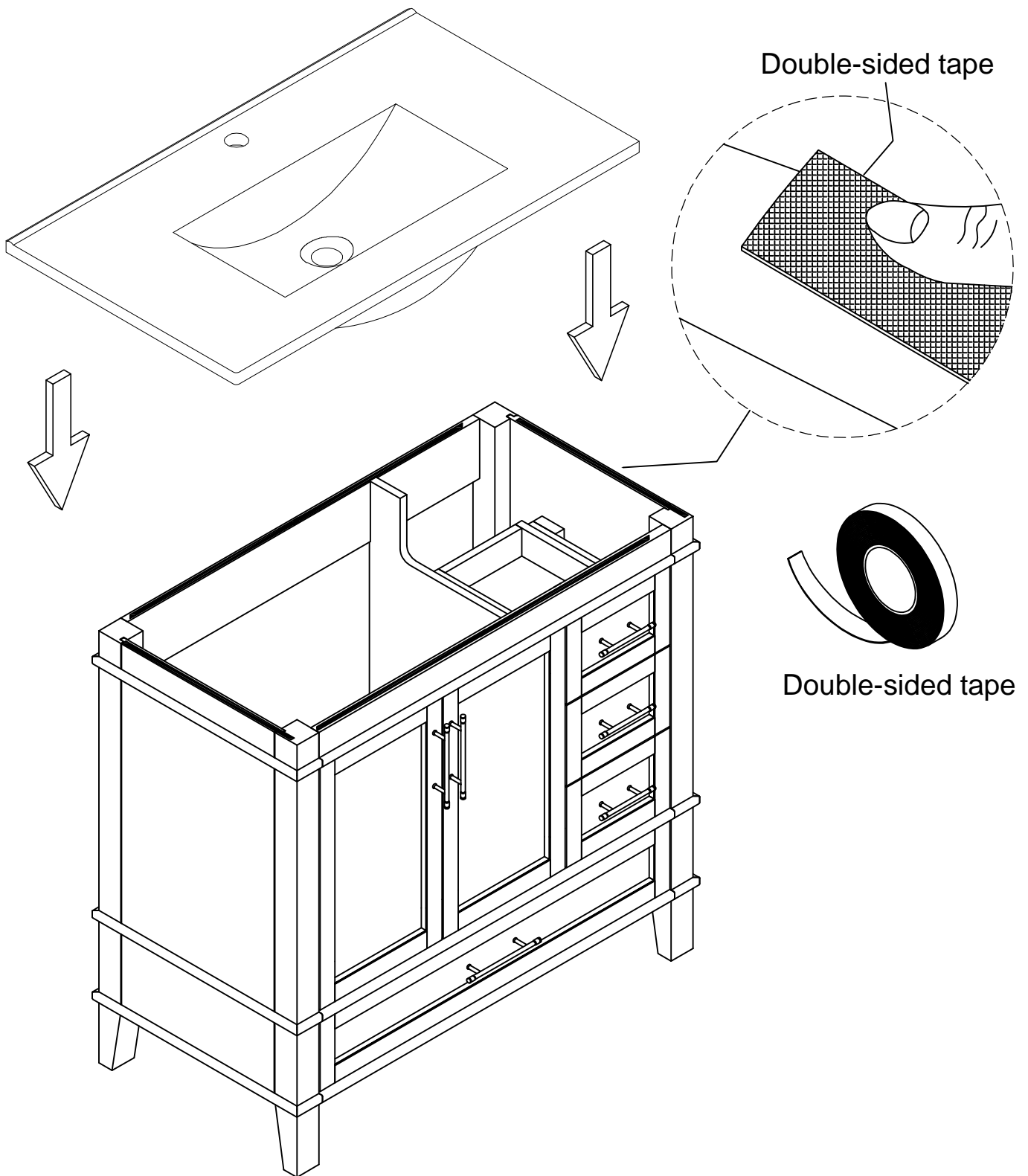


○ Refer to the illustration, Draw the spacing between the walls on the cabinet, punch holes in the wall and fix the cabinet to the wall with screws.

STEP 23

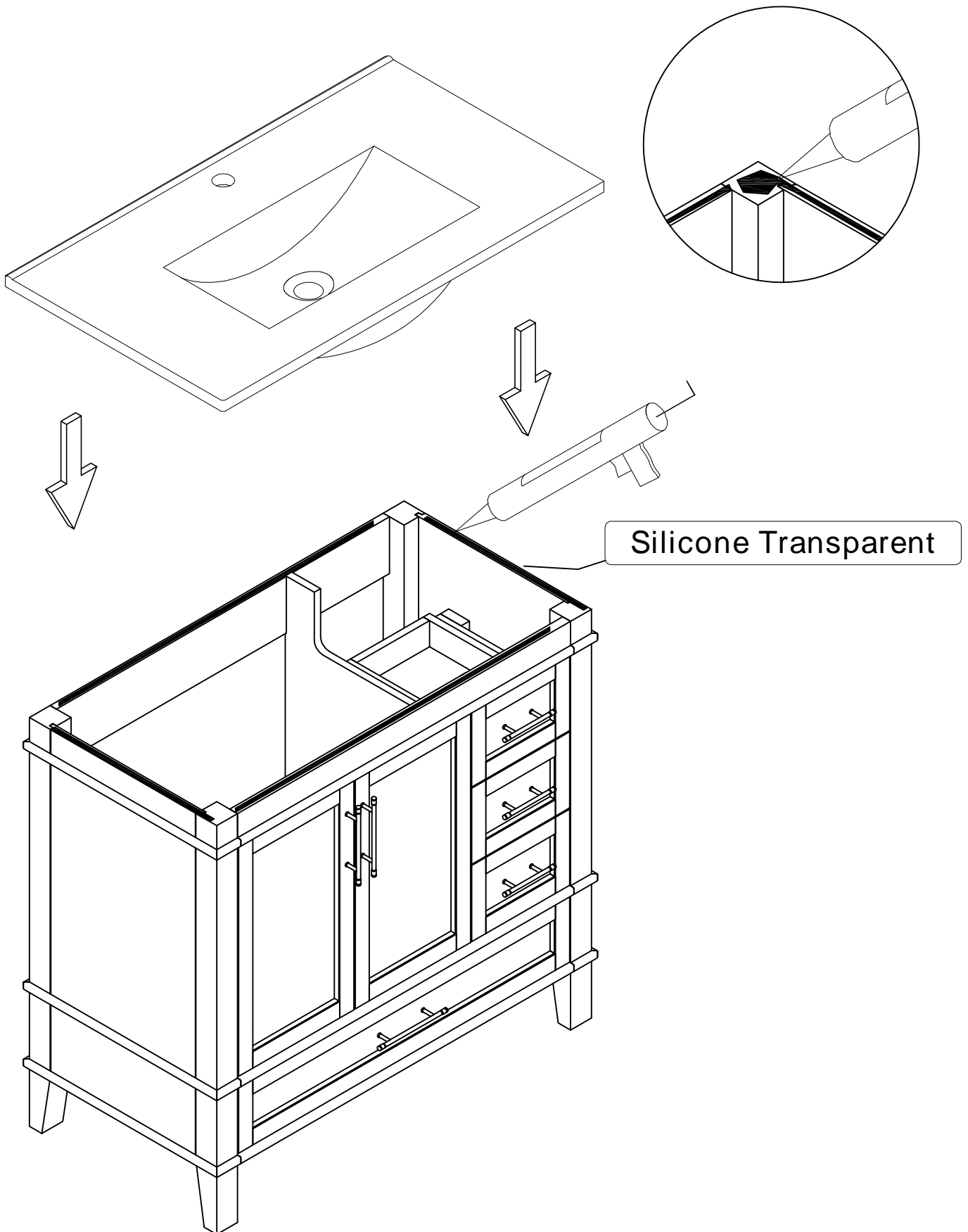
HARDWARE LIST

P  1 PCS



- Use double-sided adhesive tape along the top edges that contact the sink to reduce wobbling when placing the sink on the cabinet.

STEP 24



- Alternatively, silicone adhesive can be used to secure the sink in place after positioning it on the cabinet.

FINISH

