

# **INSTALLATION**

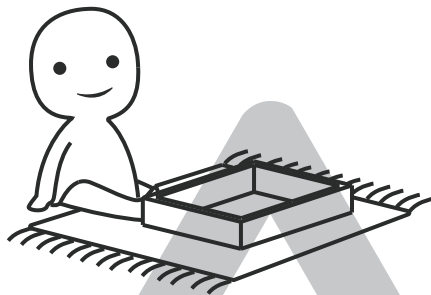
## *Product Manual*

Version: 460104US-01-25A-LJ



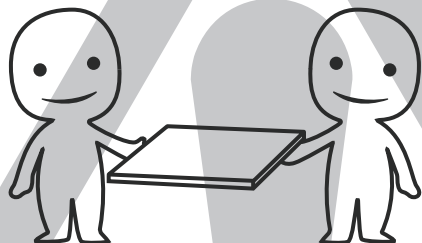
### IMPORTANT INFORMATION!

please read the entire manual before starting to assemble and/or using this product. follow the manual thoroughly and keep it for further reference.



### AVOID SCRATCHES!

In order to avoid scratching this furniture should be assembled on a soft layer- could be a rug.



### IMPROVE EFFICIENCY !

Try to find a partner to install with you, which can speed up the installation efficiency and shorten the time.



### ANTI-TOPPLE WARNING !

Overturnd furniture can cause serious or fatal crush injuries. To prevent tipping over, be sure to use the wall attachment, if not included with this product. Please purchase the wall attachment that fit your wall. If unsure, seek professional advice. Please read and follow each step of the instructions carefully.

### IMPORTANT !

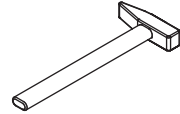
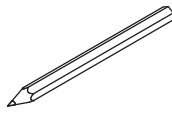
It is important that any product which is assembled using any kind of screw is re-tightened 2 weeks after assembly, and once every 3 months - in order to assure stability through-out the lifespan of the product.

For regular maintenance and cleaning of the product, for the frame, please use a rag dipped in neutral detergent to fully wipe it, and then dry it with a clean rag. For glass materials, wipe with a rag dampened with water glass cleaner, and then dry with a dry rag.

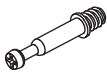


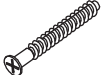

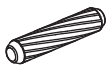



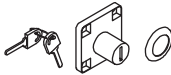



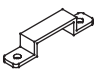





Do not use an electric screwdriver, and do not use too much force when installing, because the board is easy to break.

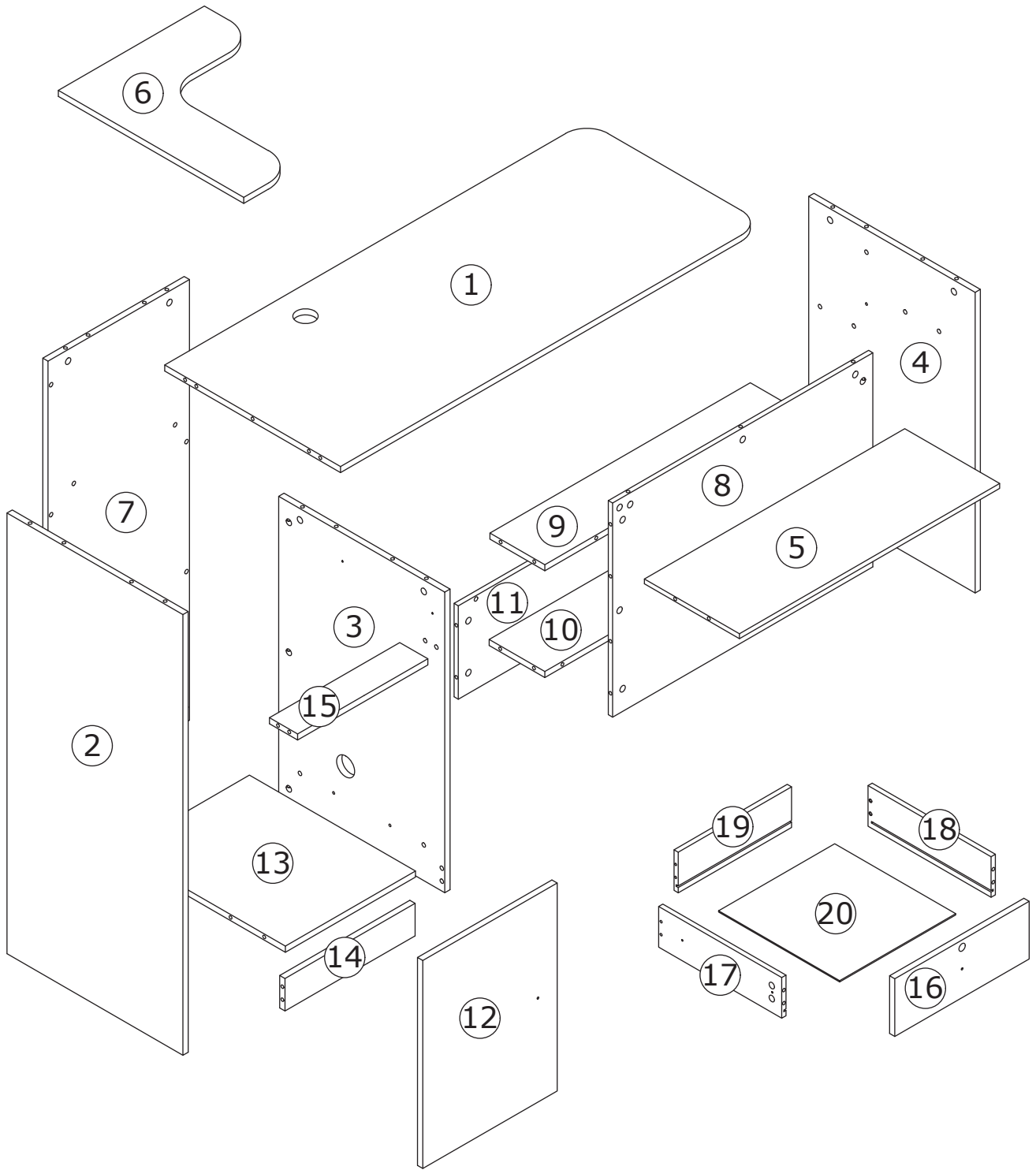


Please prepare the following tools



When installing, please carefully confirm whether each screw corresponds to the manual, accessories with similar shapes can be distinguished by size

A x 69  CRA0635A	B x 69  CRB1595A	C x 69  CRC0540A	D x 4  CRD0540A	E x 4  CRD3512A
F x 20  CRF0630A	G x 16  CRD3514A	H x 2  H x 2	J x 2  14''(3508W)	K x 1  K x 1
L x 2  CRE0418A	M x 2  M x 2	N x 2  N x 2	P x 6  P x 6	Q x 12  CRD0314A
R x 4  CRD3520A	S x 1  60 mm	T x 5  T x 5	U x 1  60 mm	



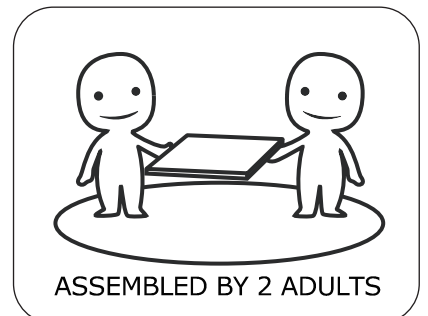
## ⚠ WARNING

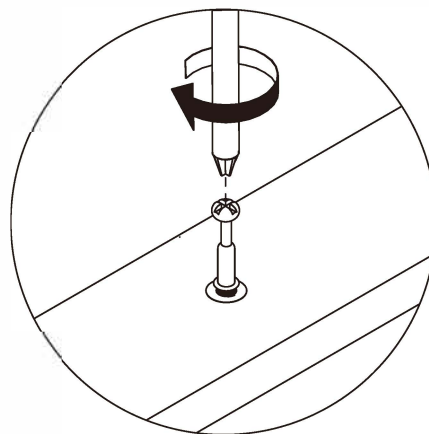
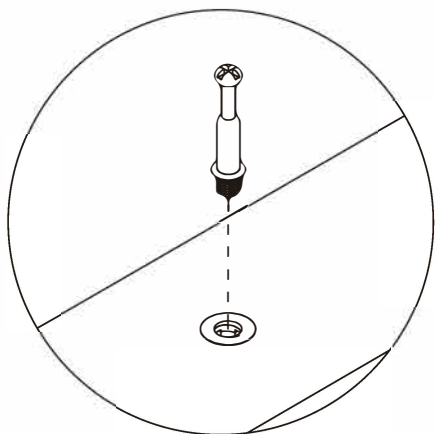
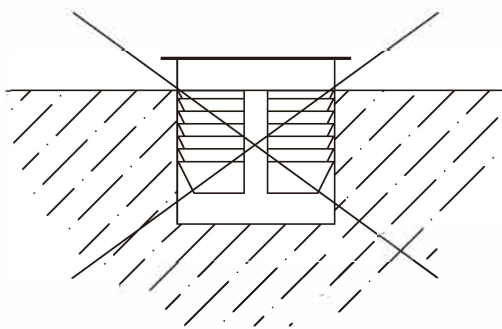
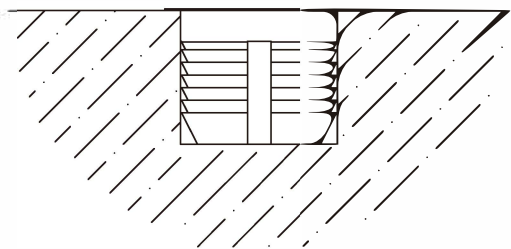
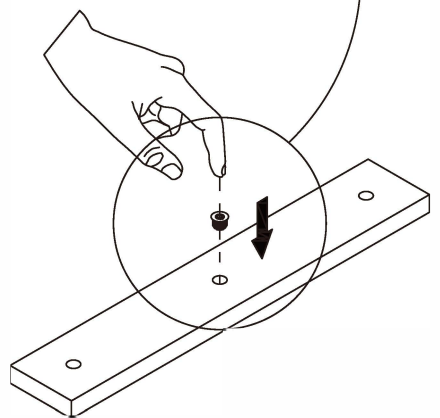
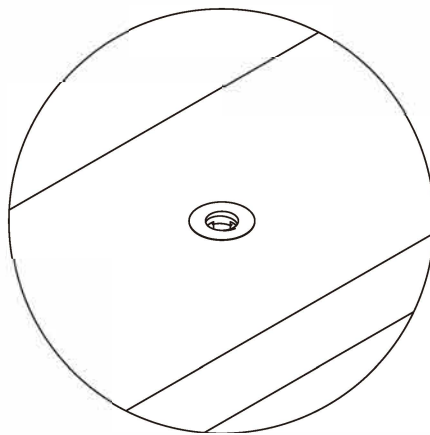
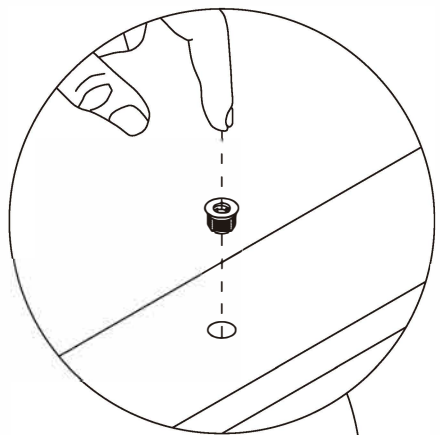


**Children have died from furniture tipover. To reduce the risk of furniture tipover:**

- ALWAYS install Anti-tip device provided.
- NEVER put a TV on this product.
- NEVER allow children to stand, climb or hang on drawers, doors, or shelves.
- NEVER open more than one drawer at a time.
- Place heaviest items in the lowest drawers.

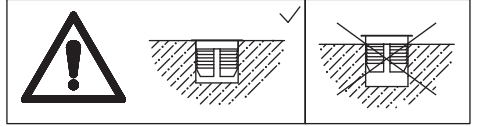
*This is a permanent label.  
Do not remove!*



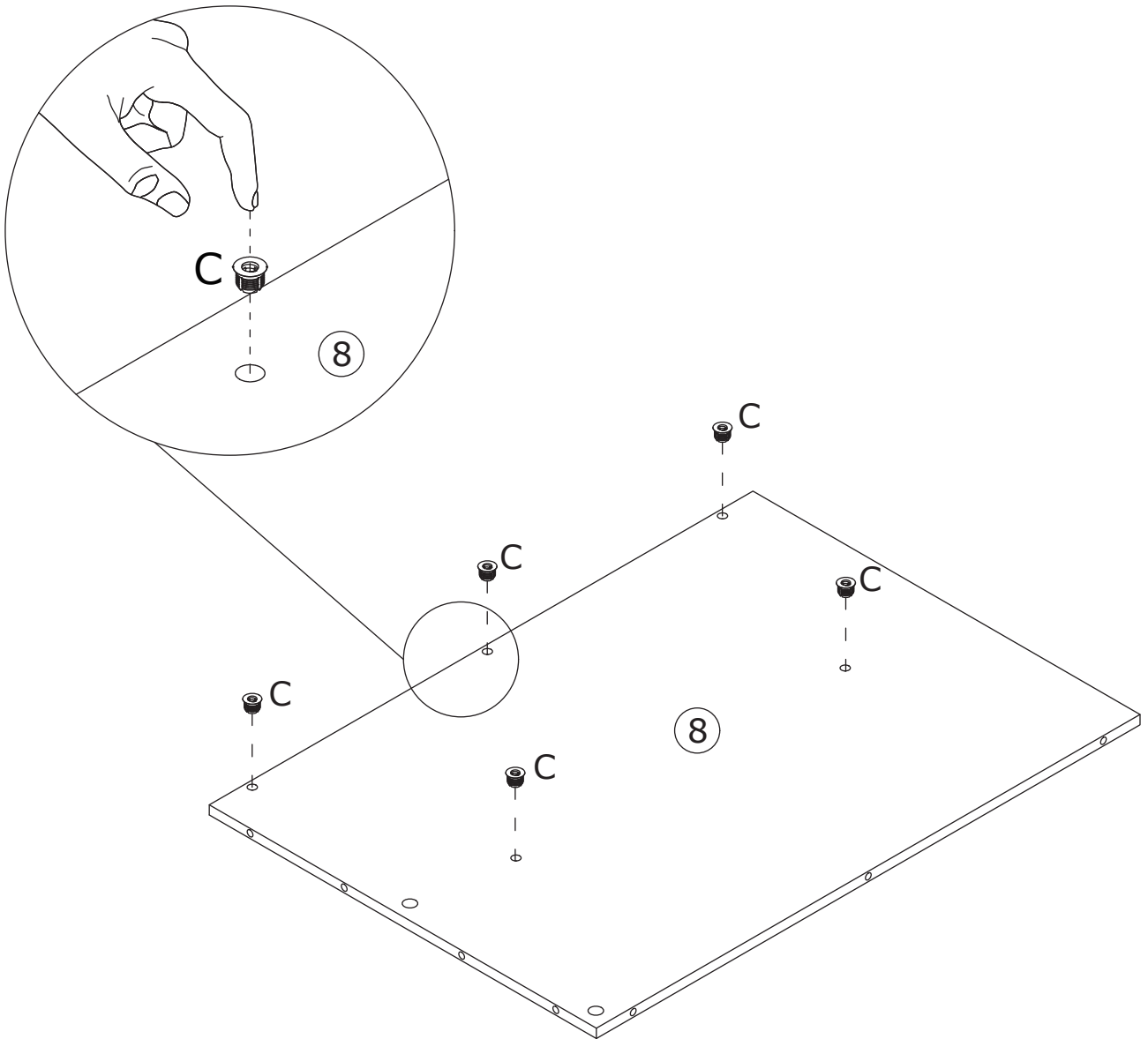


1

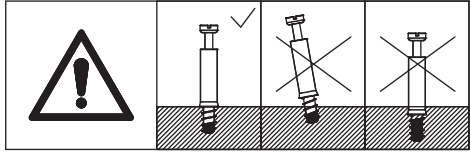
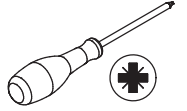
C x 5



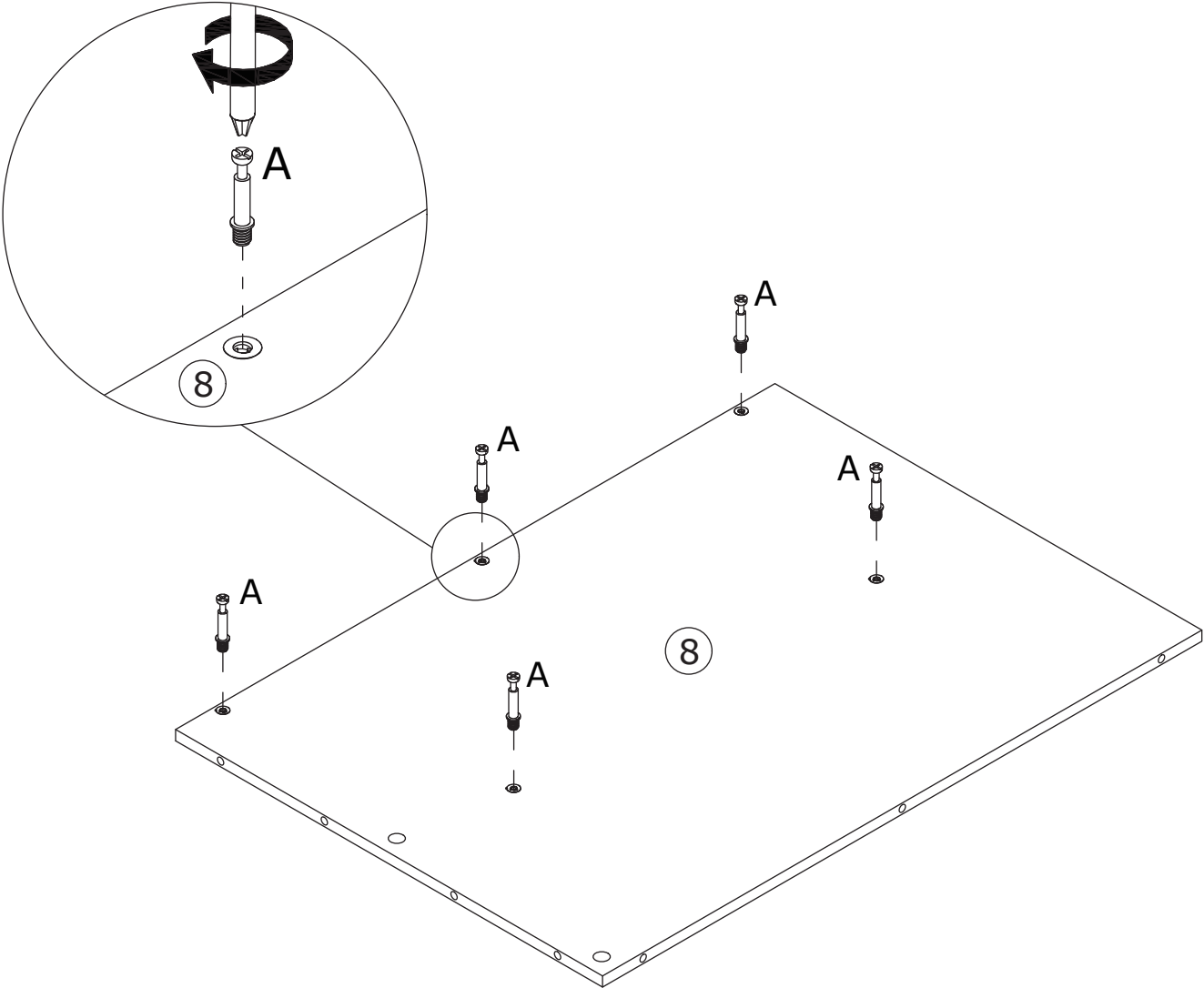
Press the pre-embedded parts (C) into the corresponding holes in the plate 8 as shown in the figure.



2

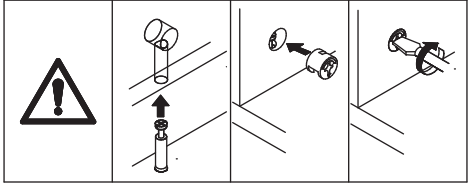
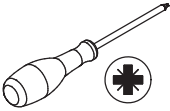


Secure the screw (A) to the plate 8 as shown.

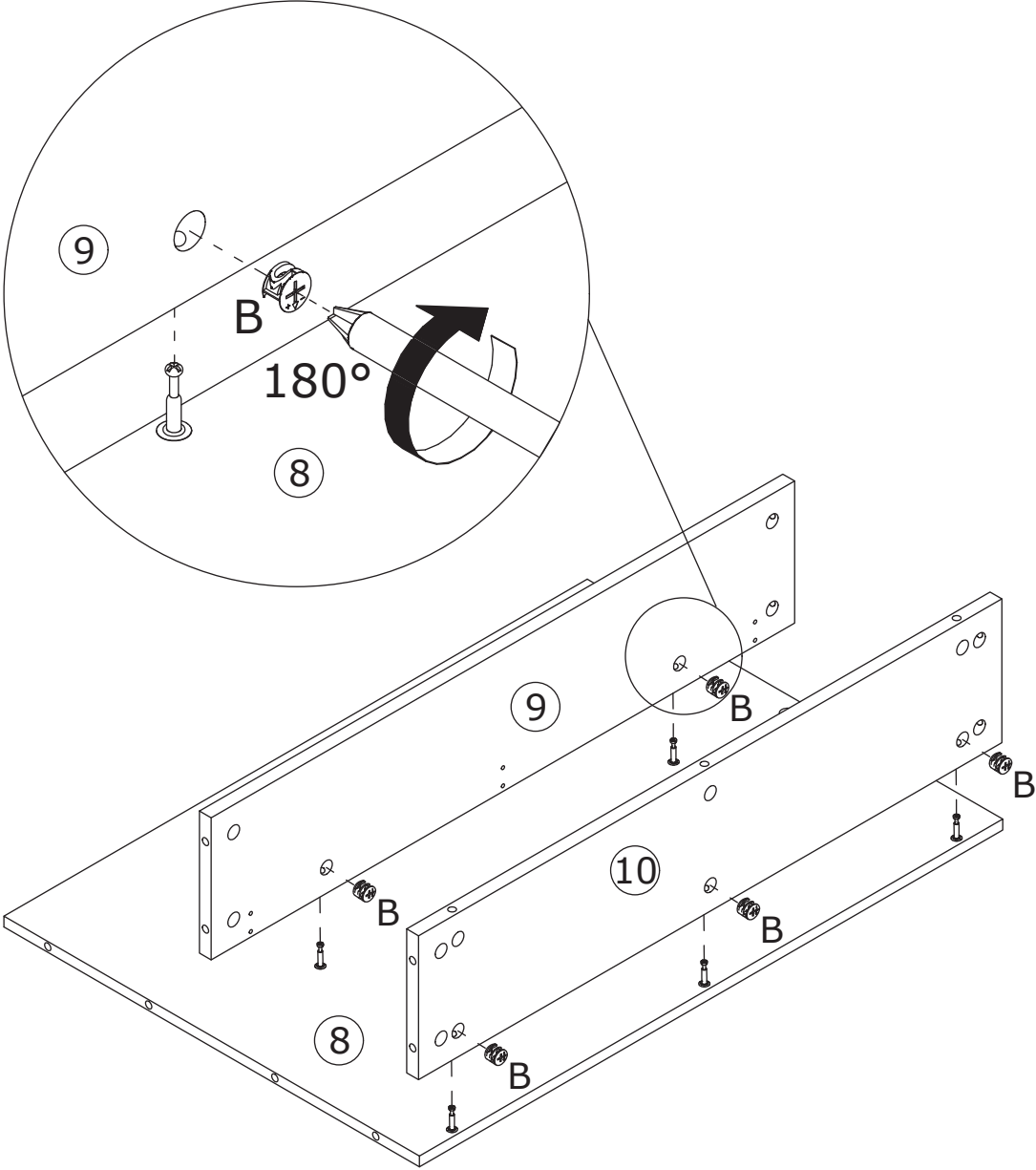


3

B x 5  
CRB1595A

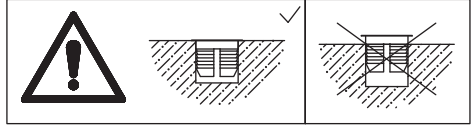


Attach plates 9 and 10 to plate 8 as shown.  
Use the eccentric wheel (B) and turn them clockwise to tighten.

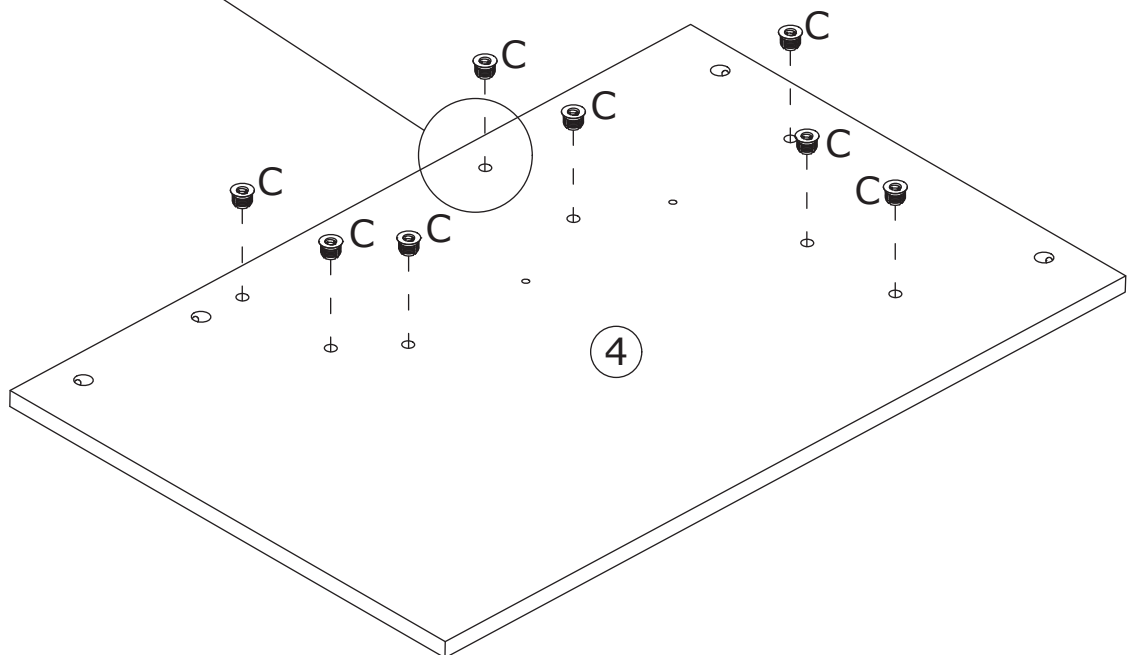
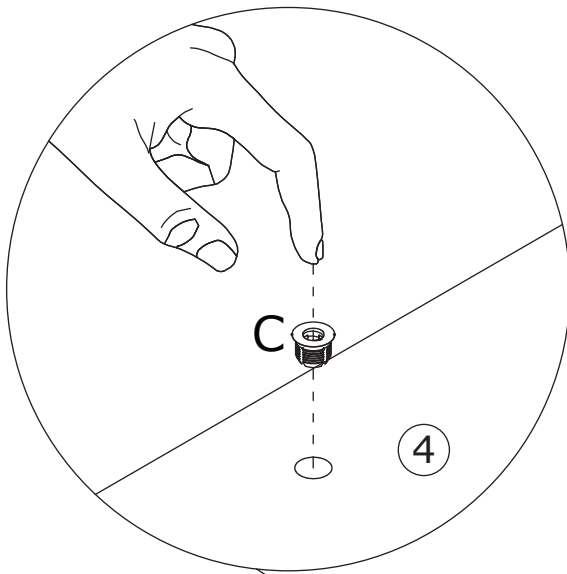


4

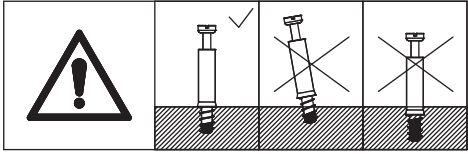
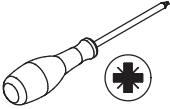
C x 8



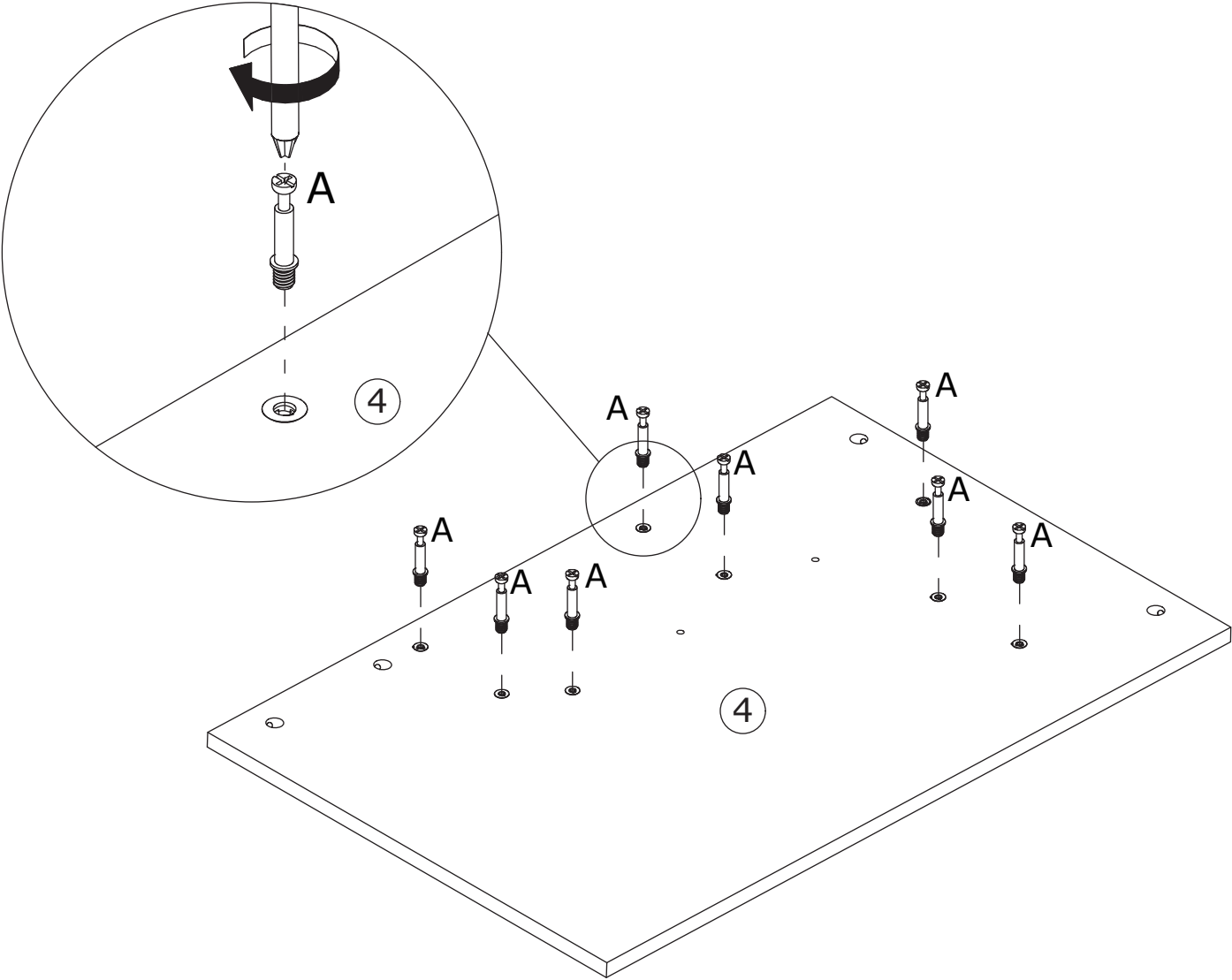
Press the pre-embedded parts (C) into the corresponding holes in the plate 4 as shown in the figure.



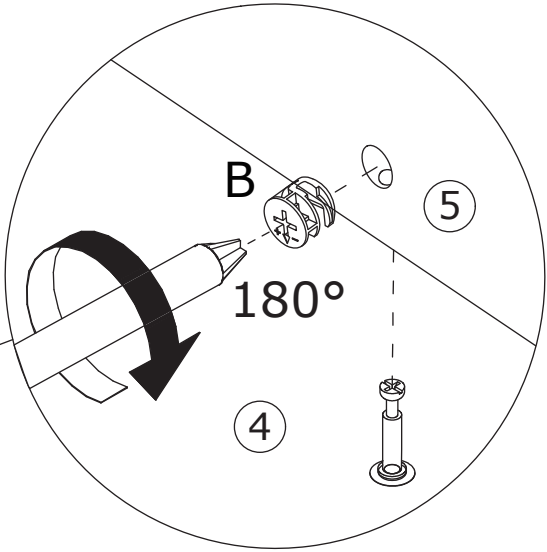
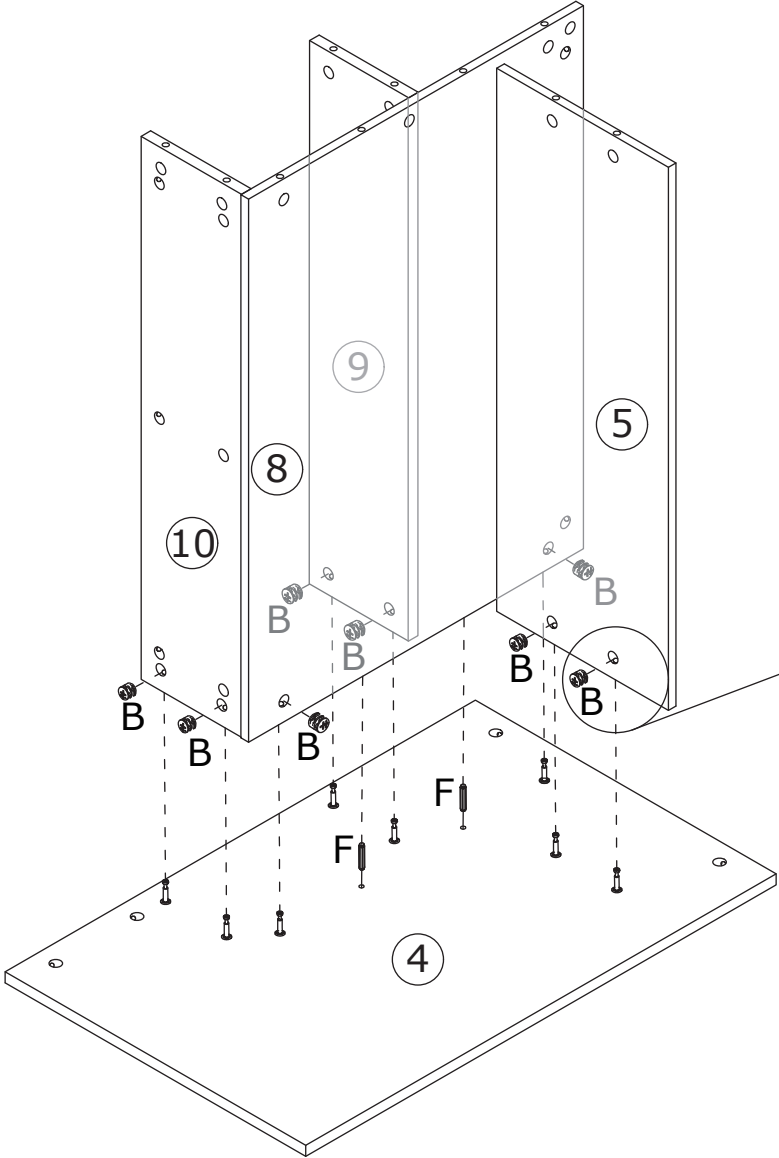
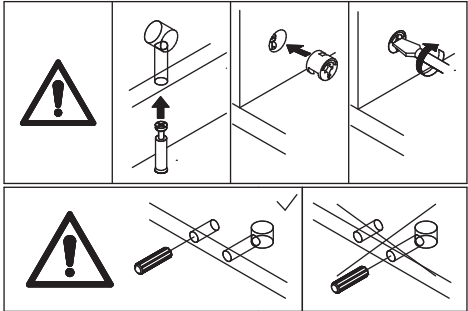
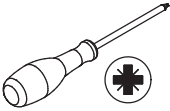
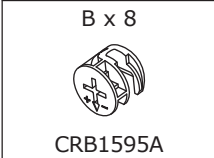
5



Secure the screw (A) to the plate 4 as shown.



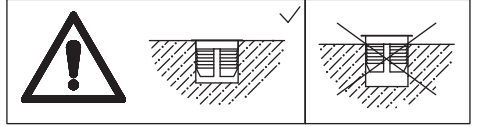
6



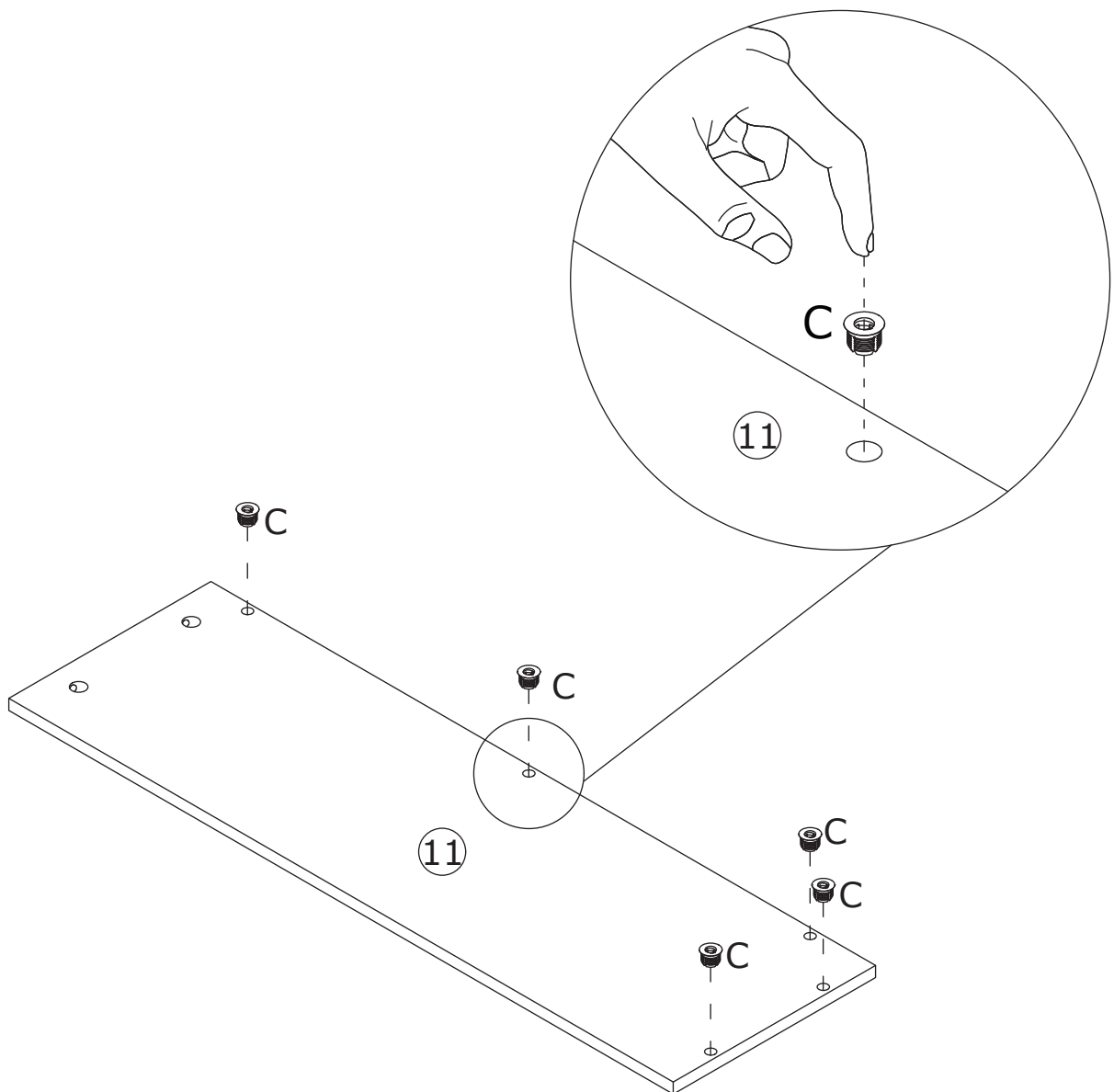
Insert dowels (F) into plate 8.  
Attach plate 5, 8, 9 and 10 to plate 4 as shown, use eccentric wheels (B) and turn them clockwise to tighten.

7

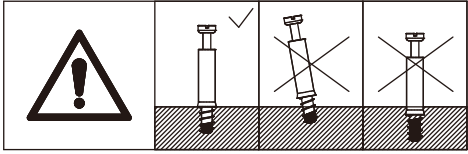
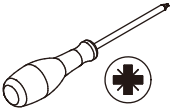
C x 5



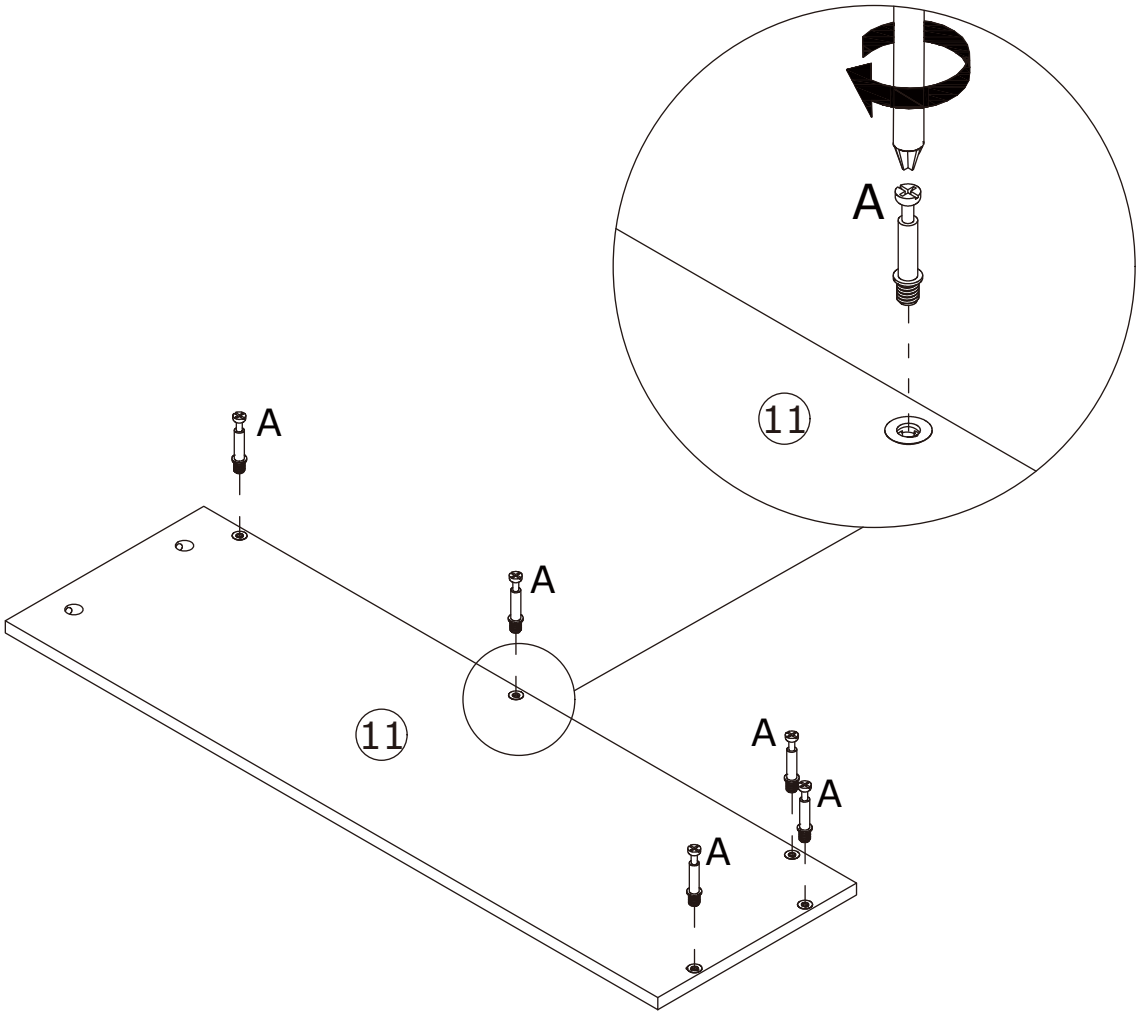
Press the pre-embedded parts (C) into the corresponding holes in the plate 11 as shown in the figure.



8

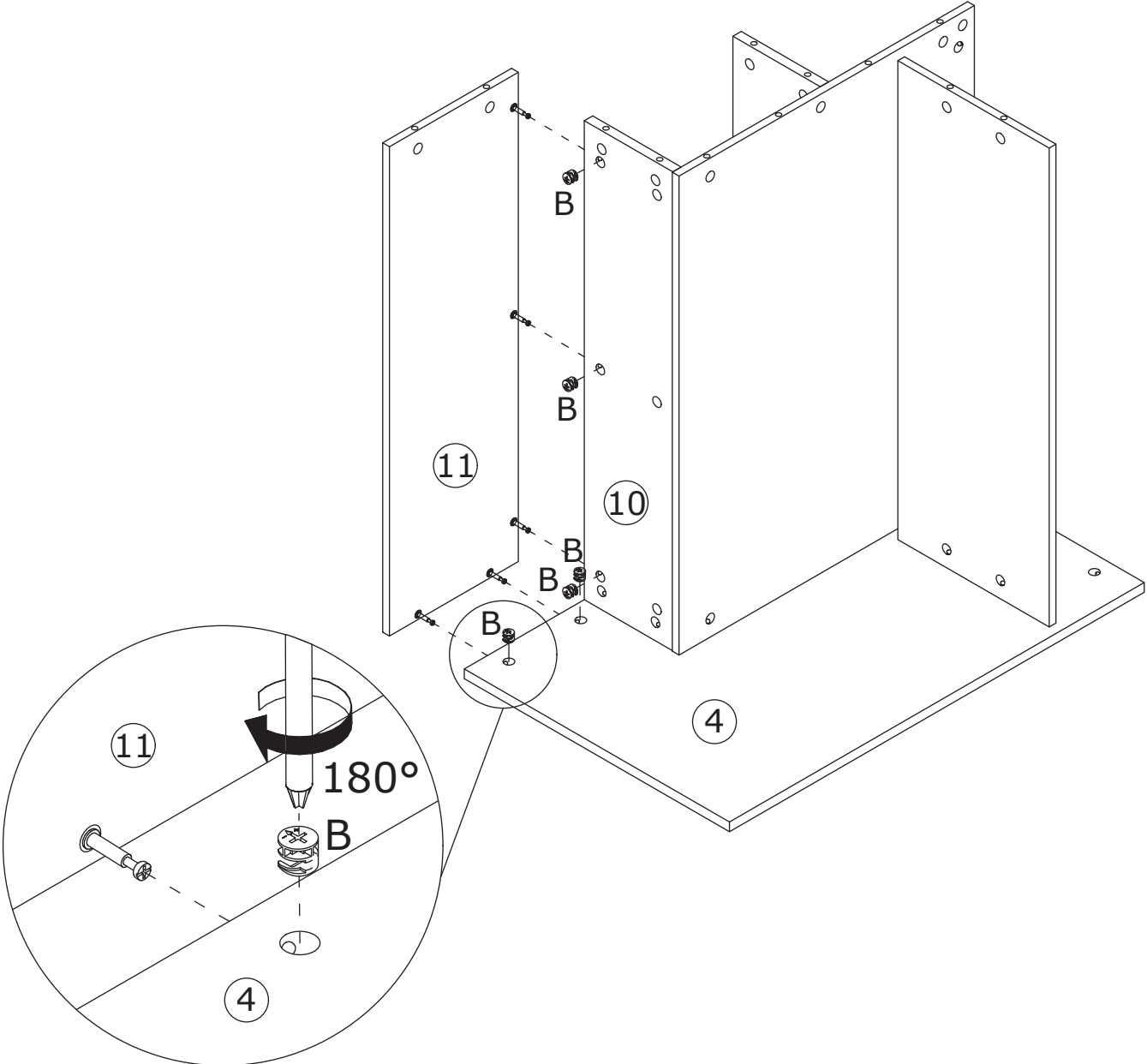
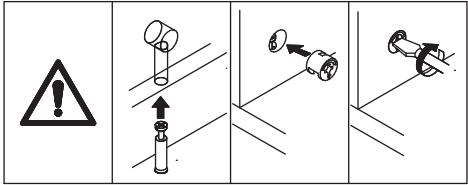
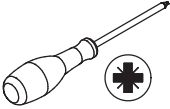


Secure the screw (A) to the plate 11 as shown.



9

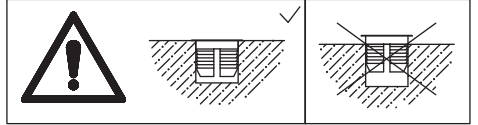
B x 5  
CRB1595A



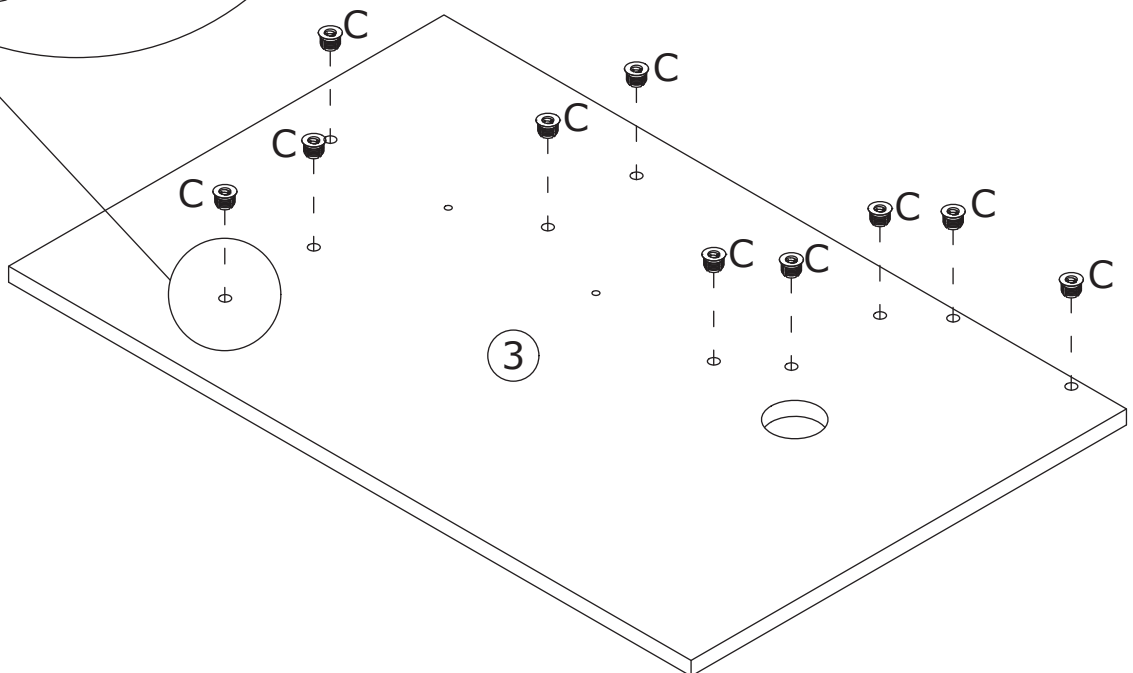
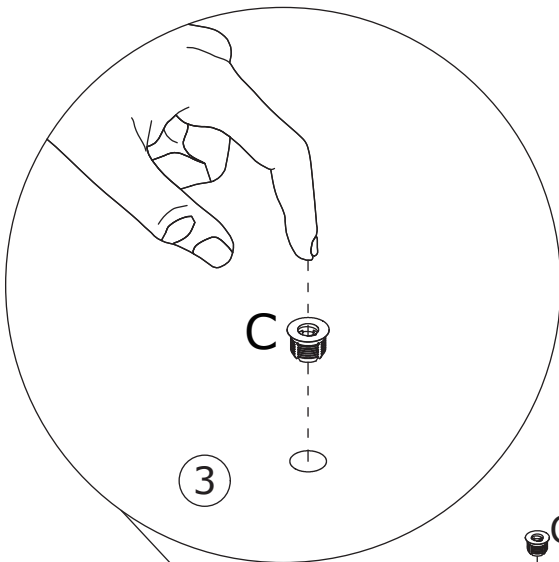
Attach plates 11 to plate 10 and 4 as shown.  
Use the eccentric wheel (B) and turn them clockwise to tighten.

10

C x 10

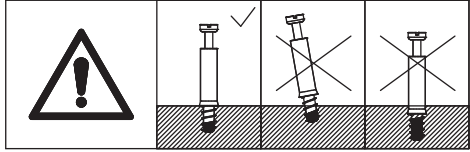
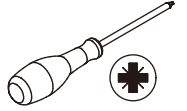


Press the pre-embedded parts (C) into the corresponding holes in the plate 3 as shown in the figure.

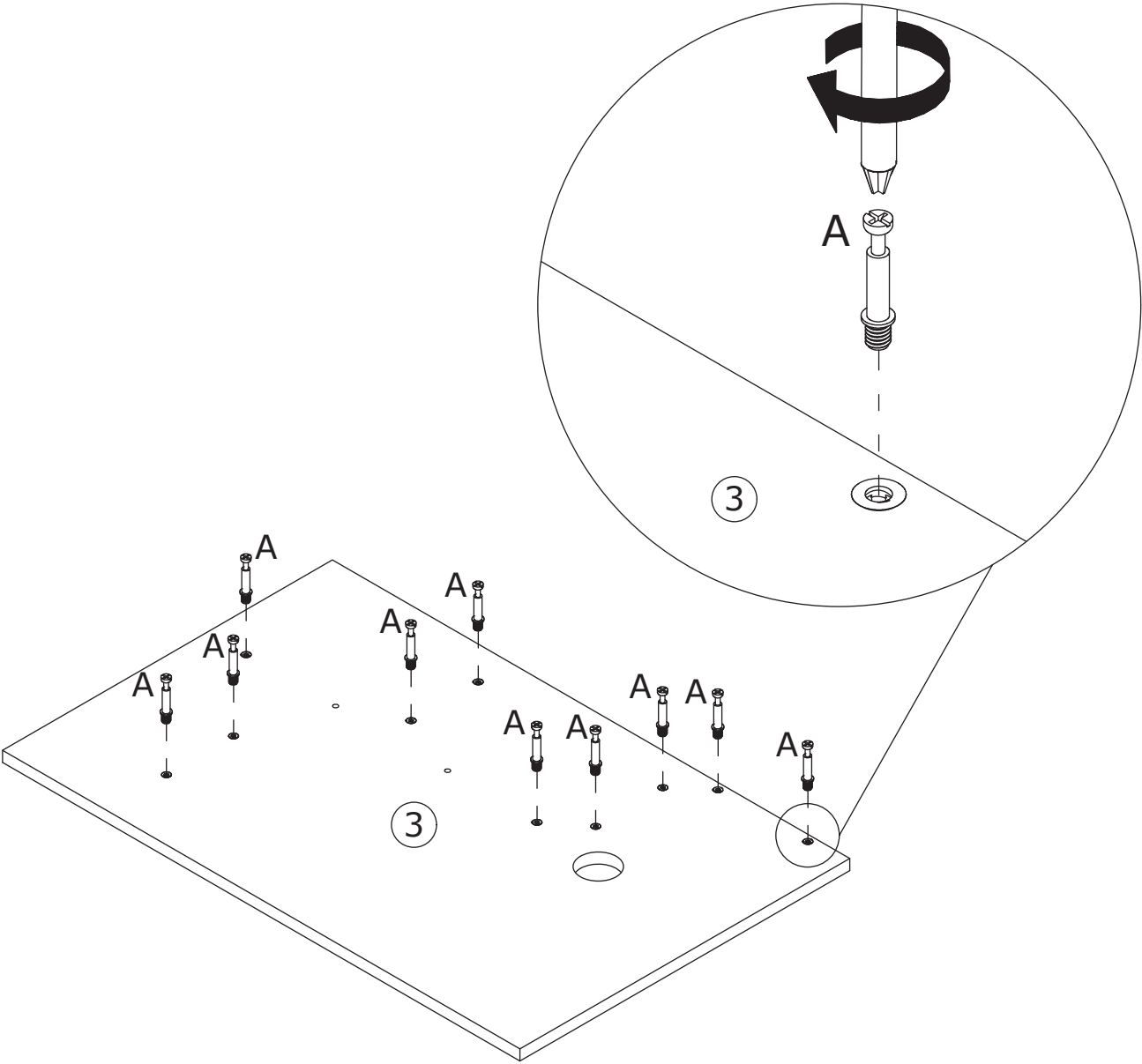


11

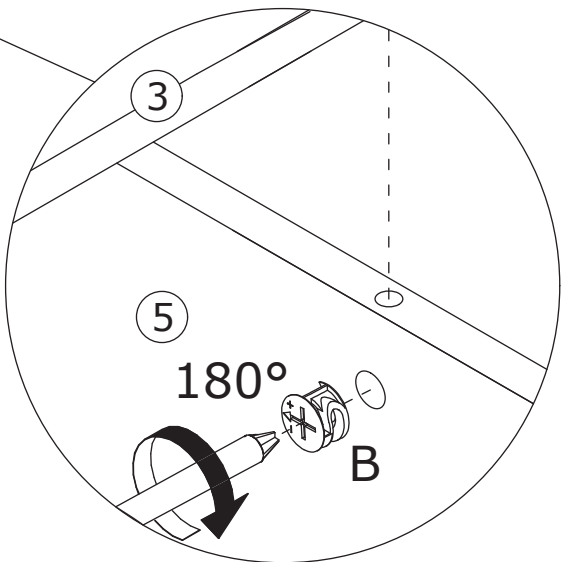
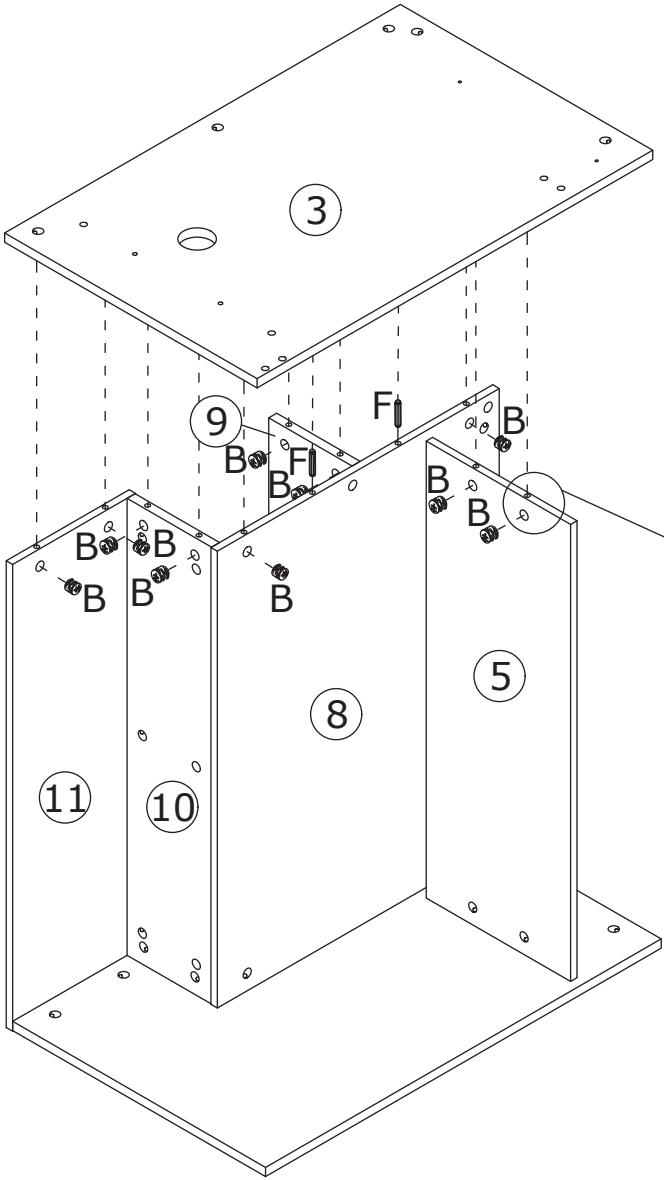
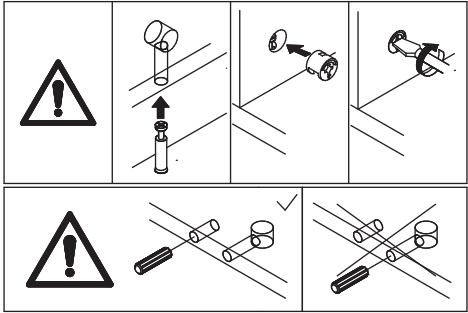
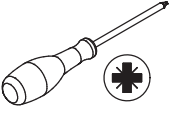
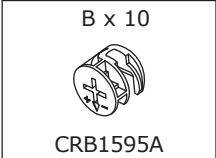
A x 10  
CRA0635A



Secure the screw (A) to the plate 3 as shown.

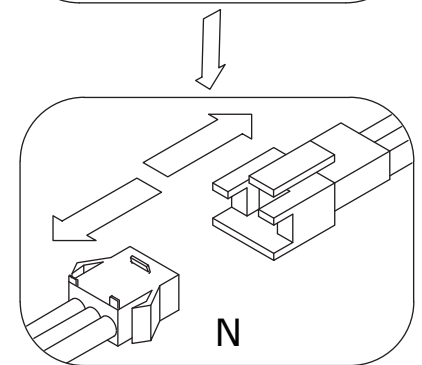
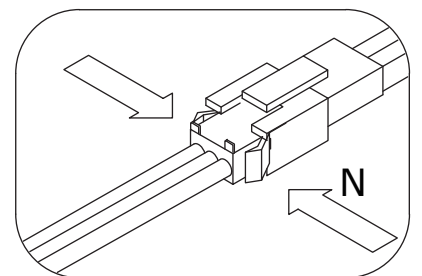
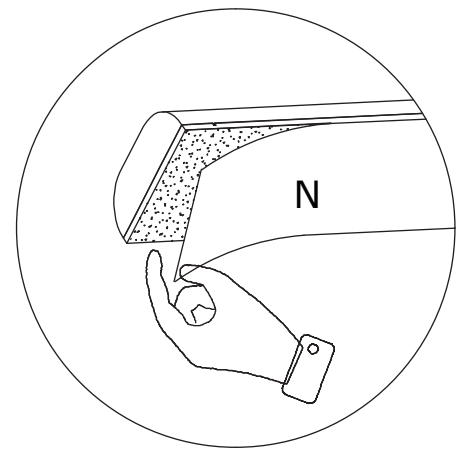
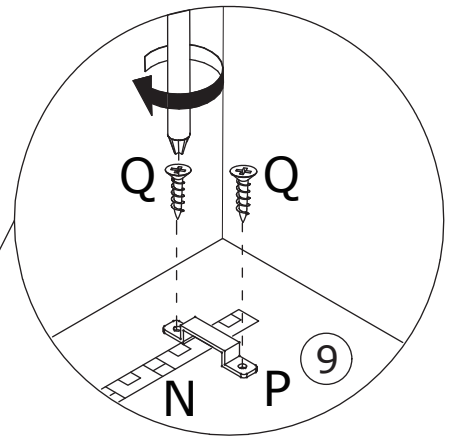
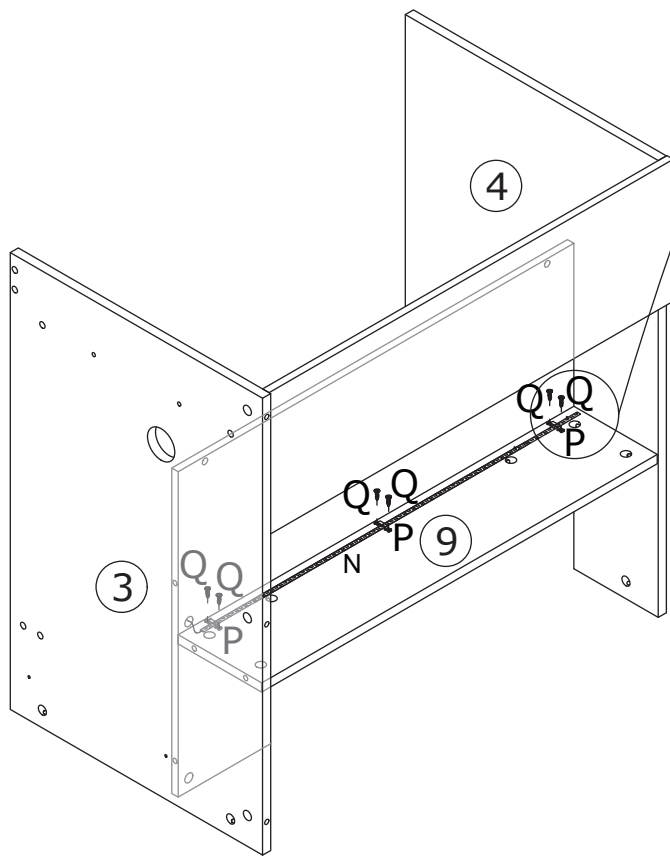
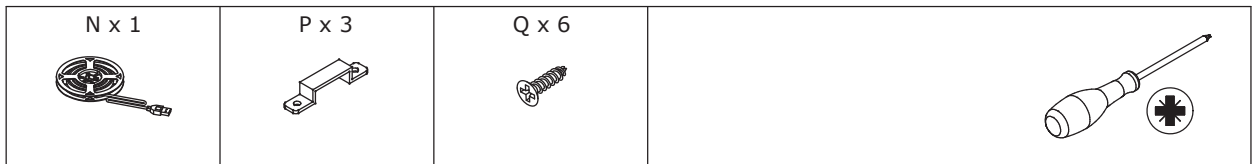


12



Insert dowels (F) into plate 8.  
Attach plate 3 to plates 5, 8, 9, 10 and 11 as shown. Use the eccentric wheel (B) and turn them clockwise to tighten.

13



Attach the light belt (N) to plate 9 as shown, using self-tapping screw (Q) and fittings (P) to secure the light belt.

# 14

C x 6

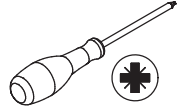


G x 2

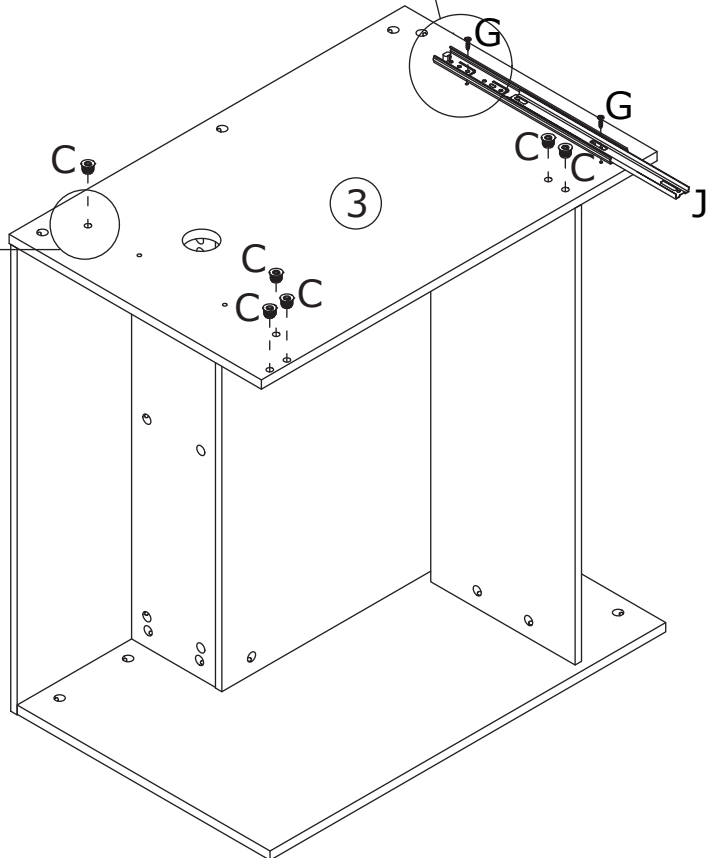
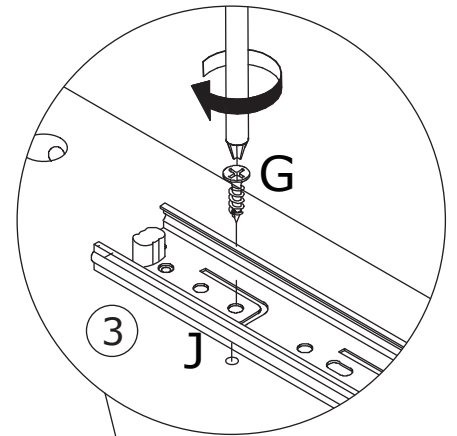
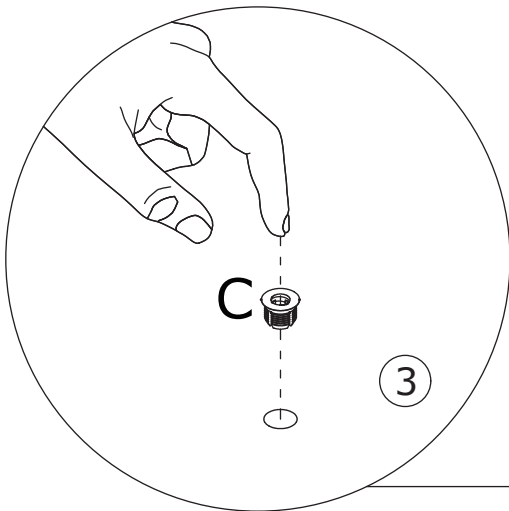
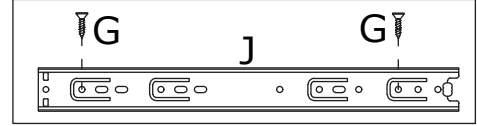
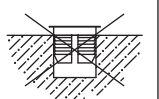


CRD0314A

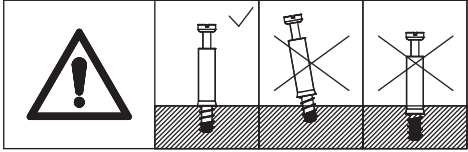
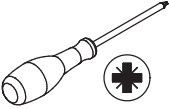
J x 1



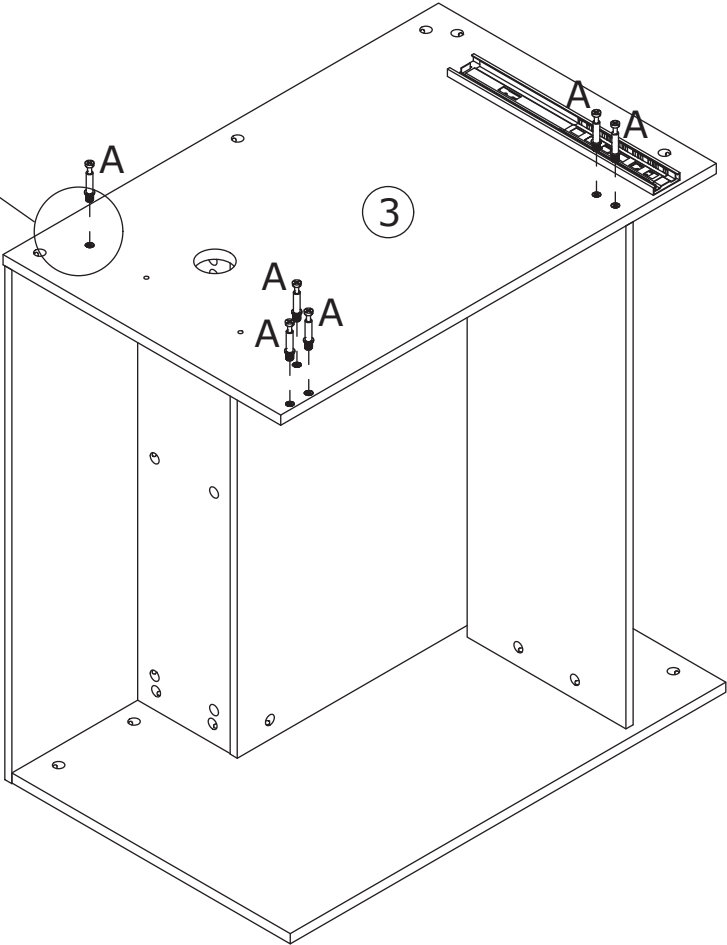
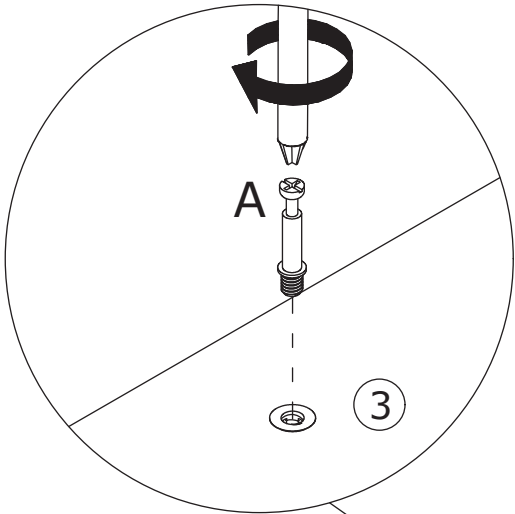
Press the pre-embedded parts (C) into the corresponding holes of the plate 3 as shown. Use screws (G) to secure the slide (J) to plate 3 as shown.



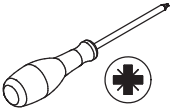
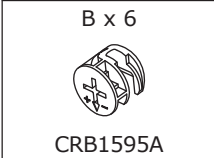
15



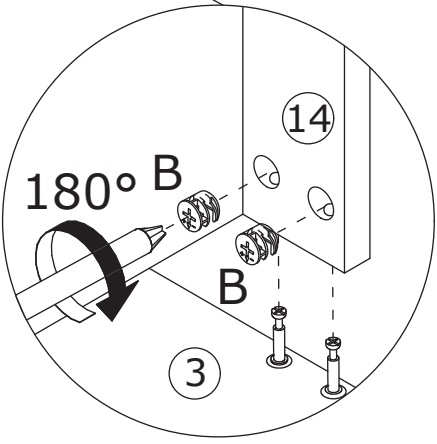
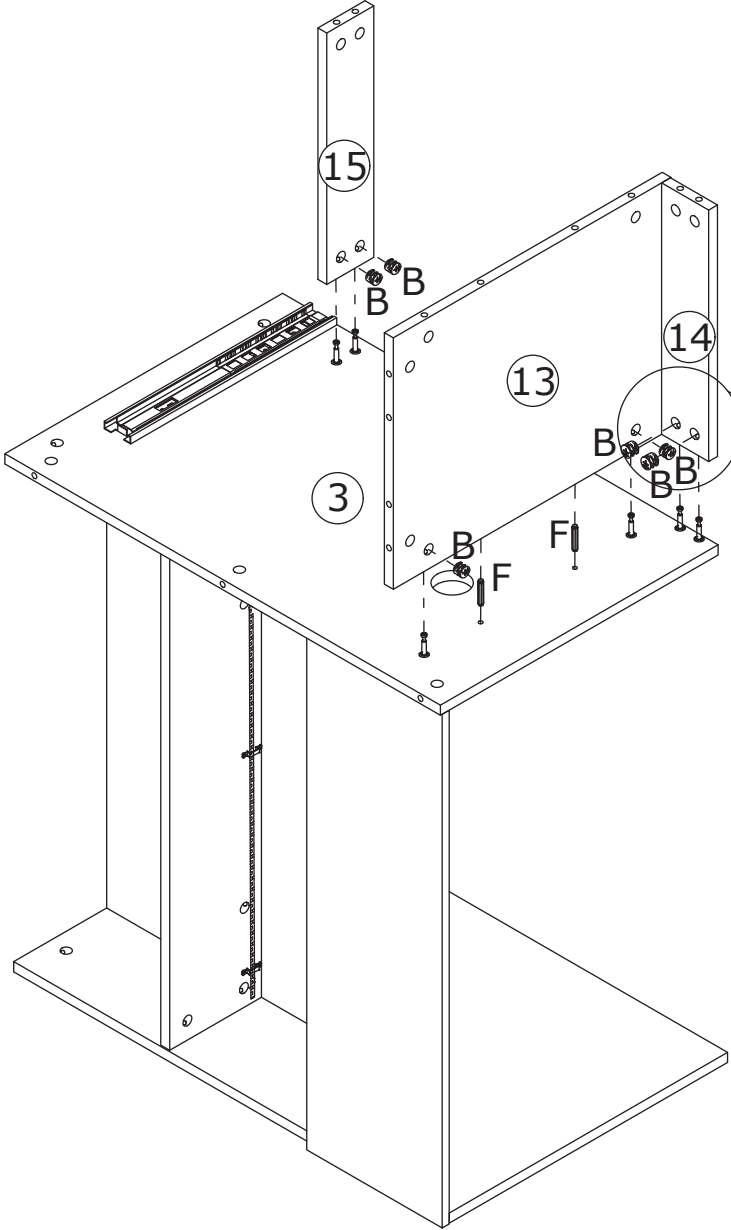
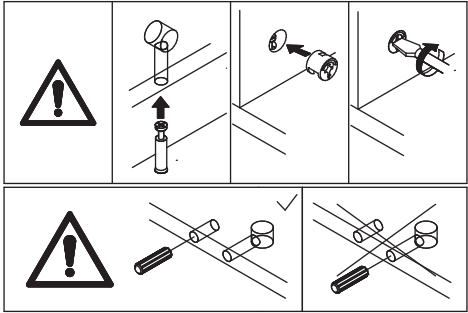
Secure the screw (A) to the plate 3 as shown.




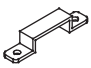

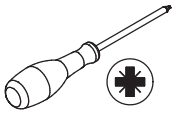
16

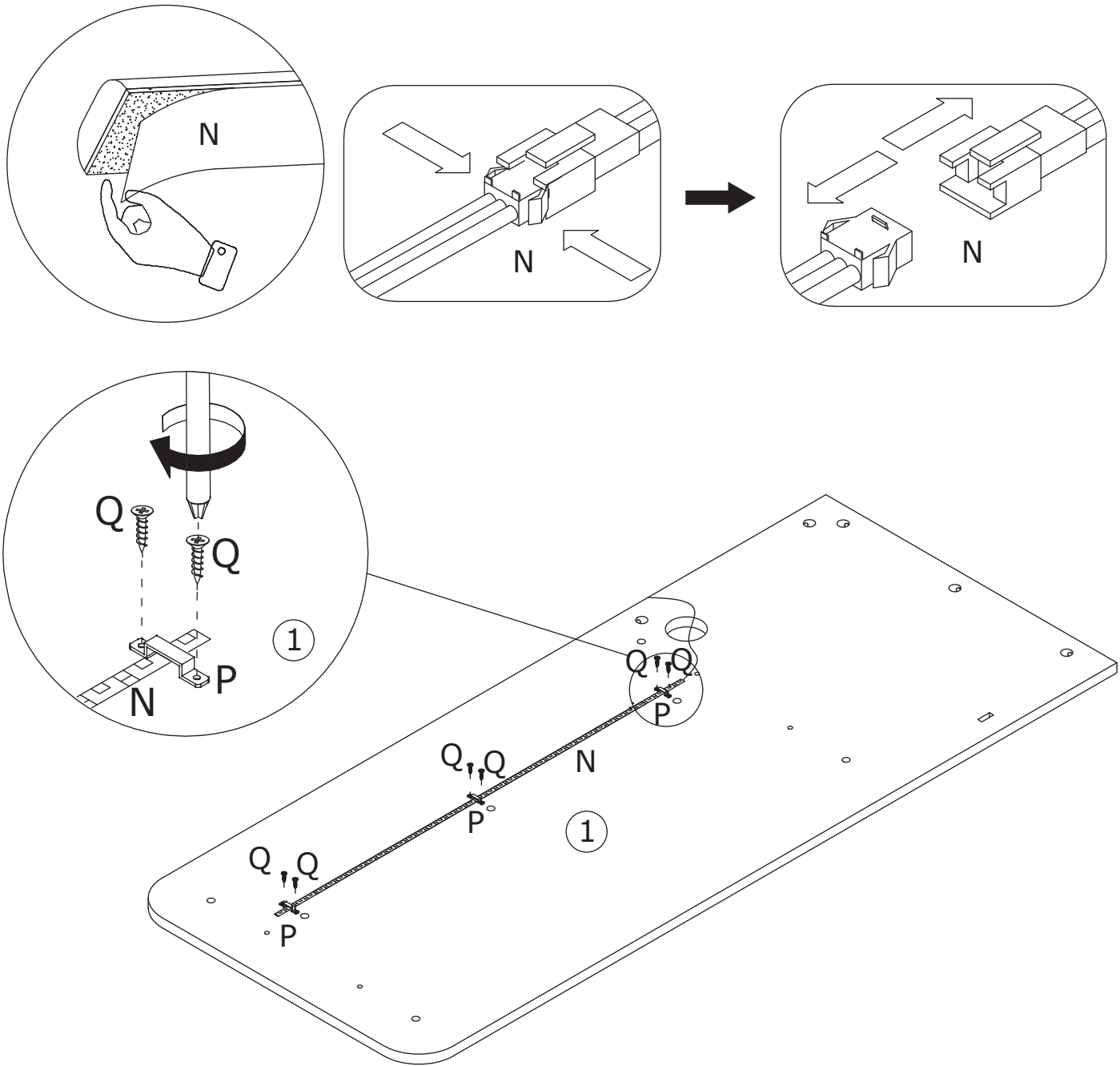


Insert dowels (F) into plate 13.  
Connect plate 3 to plate 13, 14 and 15 as shown, use the eccentric wheel (B) and turn them clockwise to tighten.



17

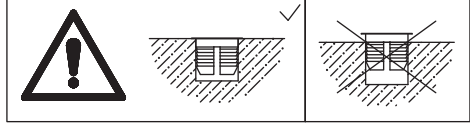
N x 1 	P x 3 	Q x 6  CRD0314A	
--	--	--	---



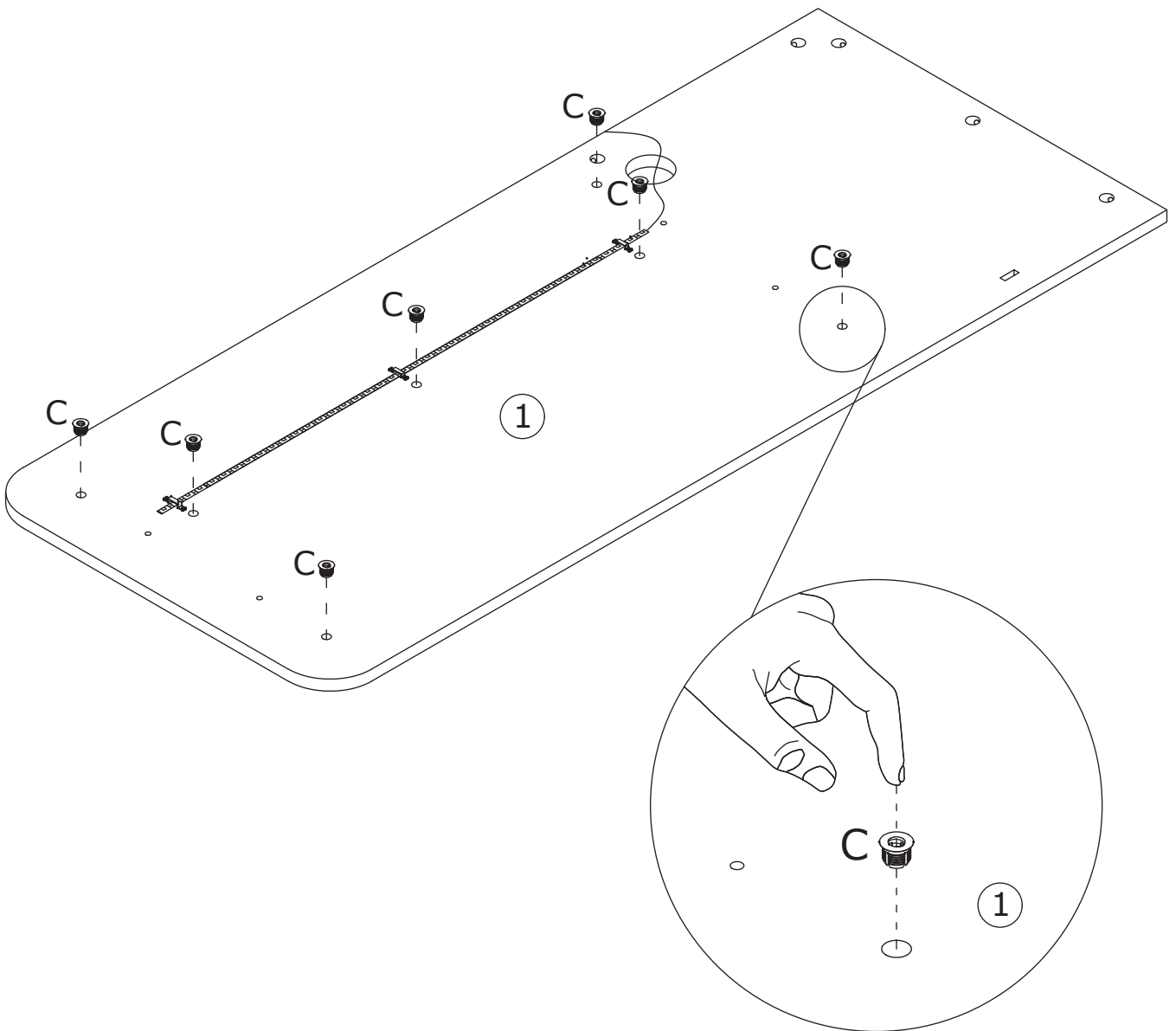
Attach the light belt (N) to plate 1 as shown, using self-tapping screw (Q) and fittings (P) to secure the light belt.

18

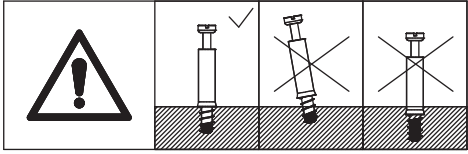
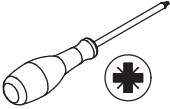
C x 7



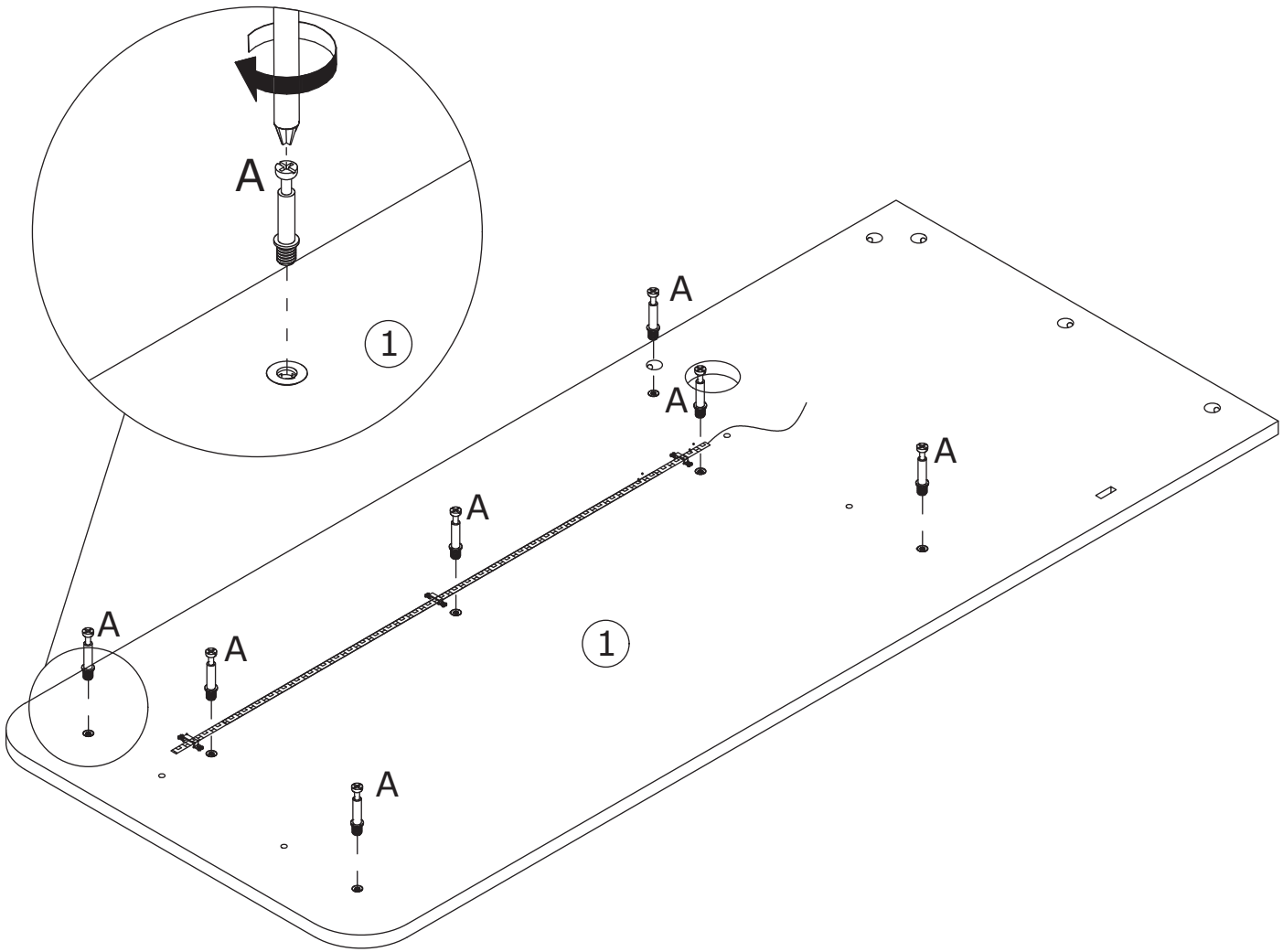
Press the pre-embedded parts (C) into the corresponding holes in the plate 1 as shown in the figure.



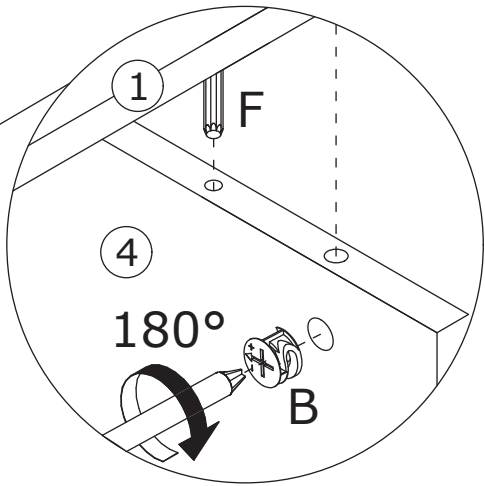
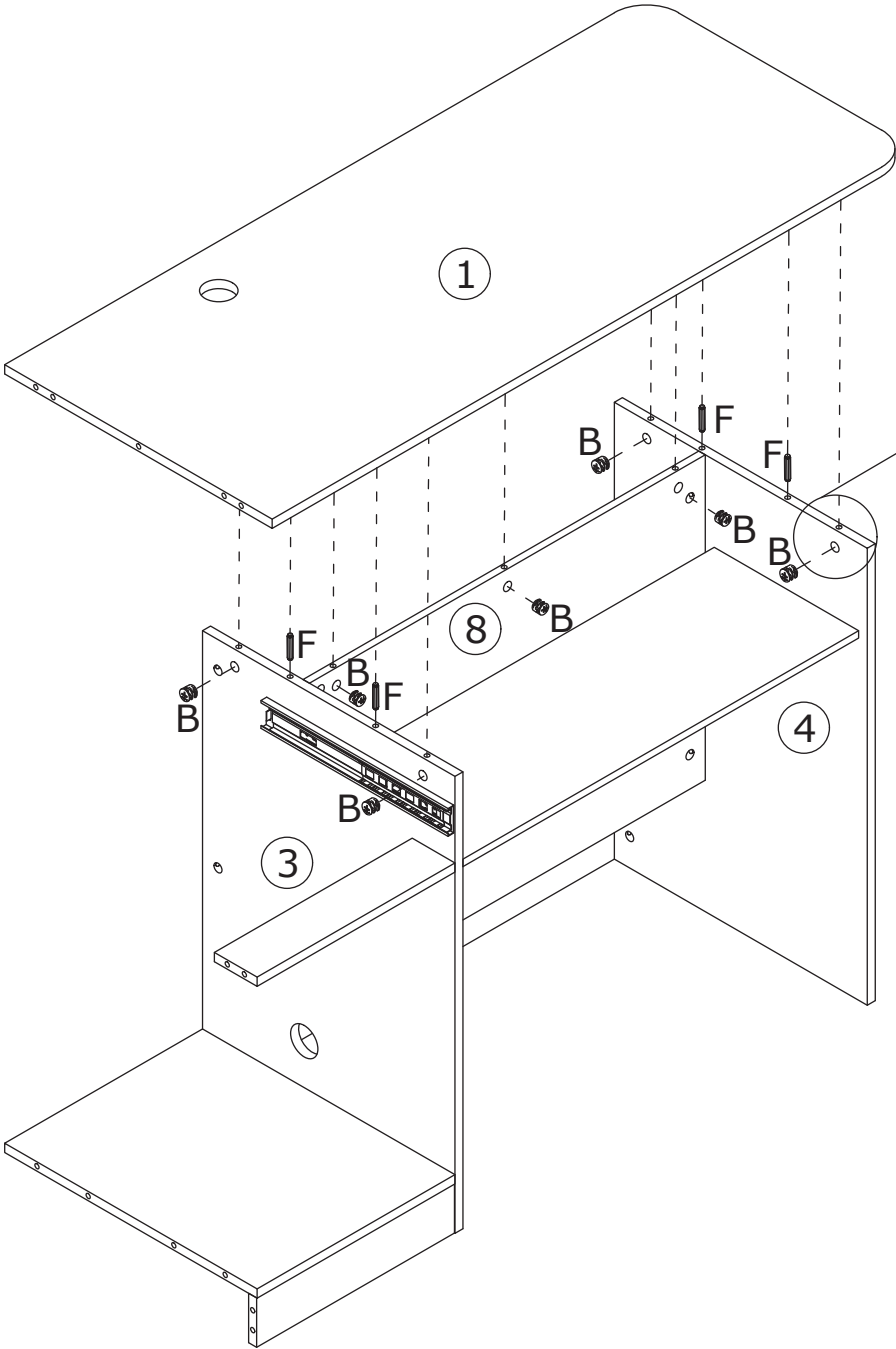
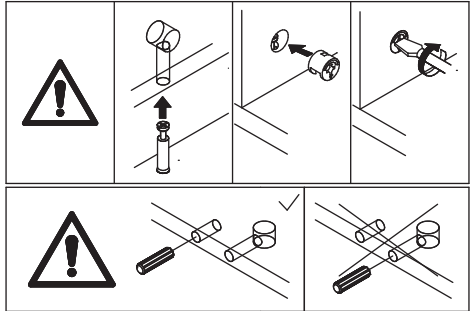
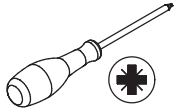
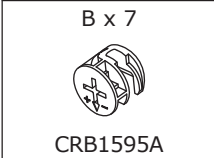
19



Secure the screw (A) to the plate 1 as shown.



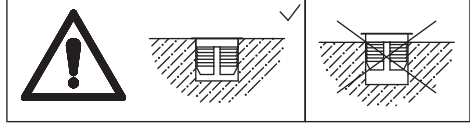
20



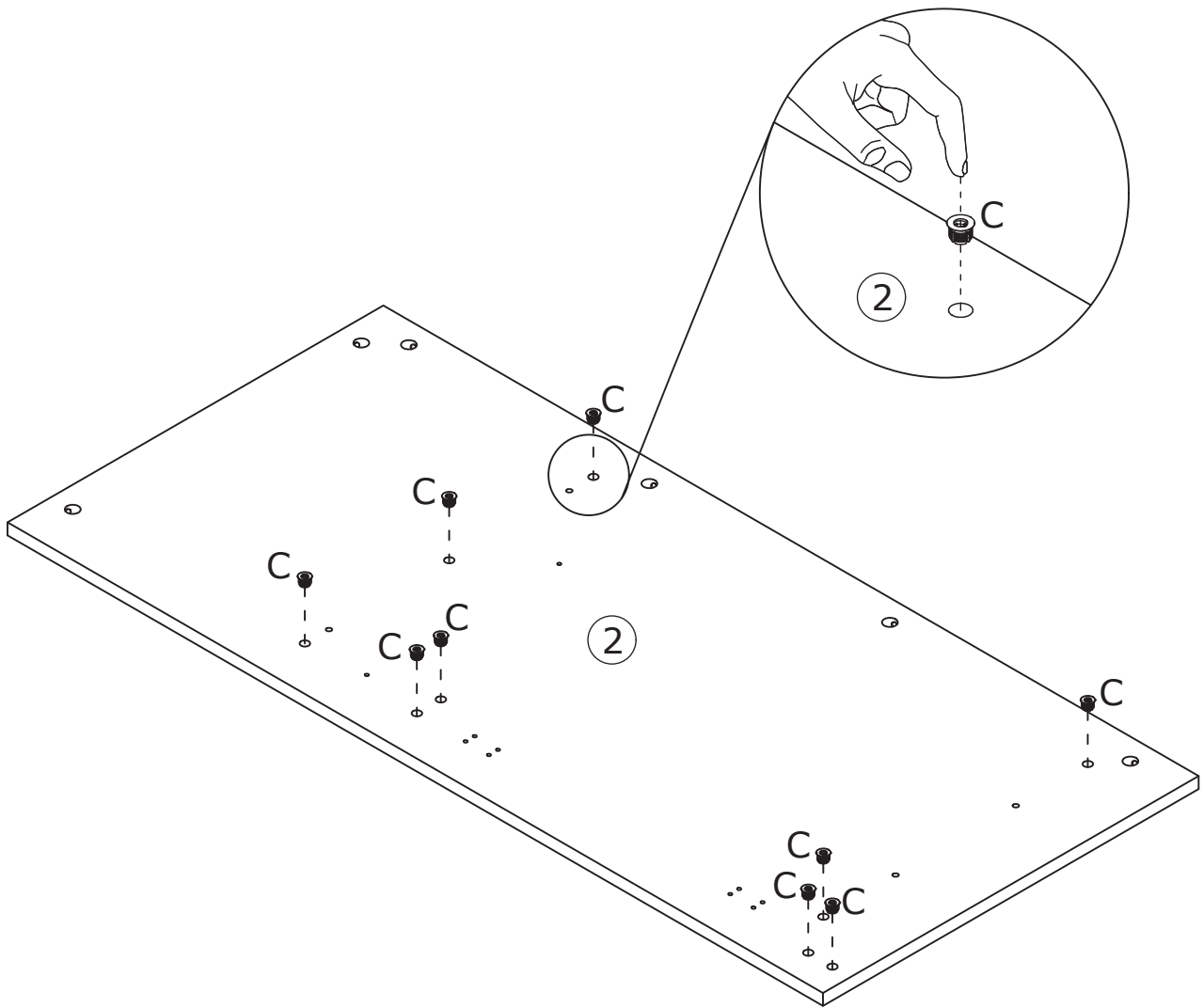
Use dowels (F) to connect plate 1 to plate 3 and 4 as shown.  
Use the eccentric wheel (B) and turn them clockwise to tighten.

21

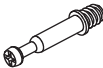


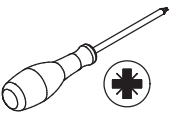
C x 9



Press the pre-embedded parts (C) into the corresponding holes in the plate 2 as shown in the figure.

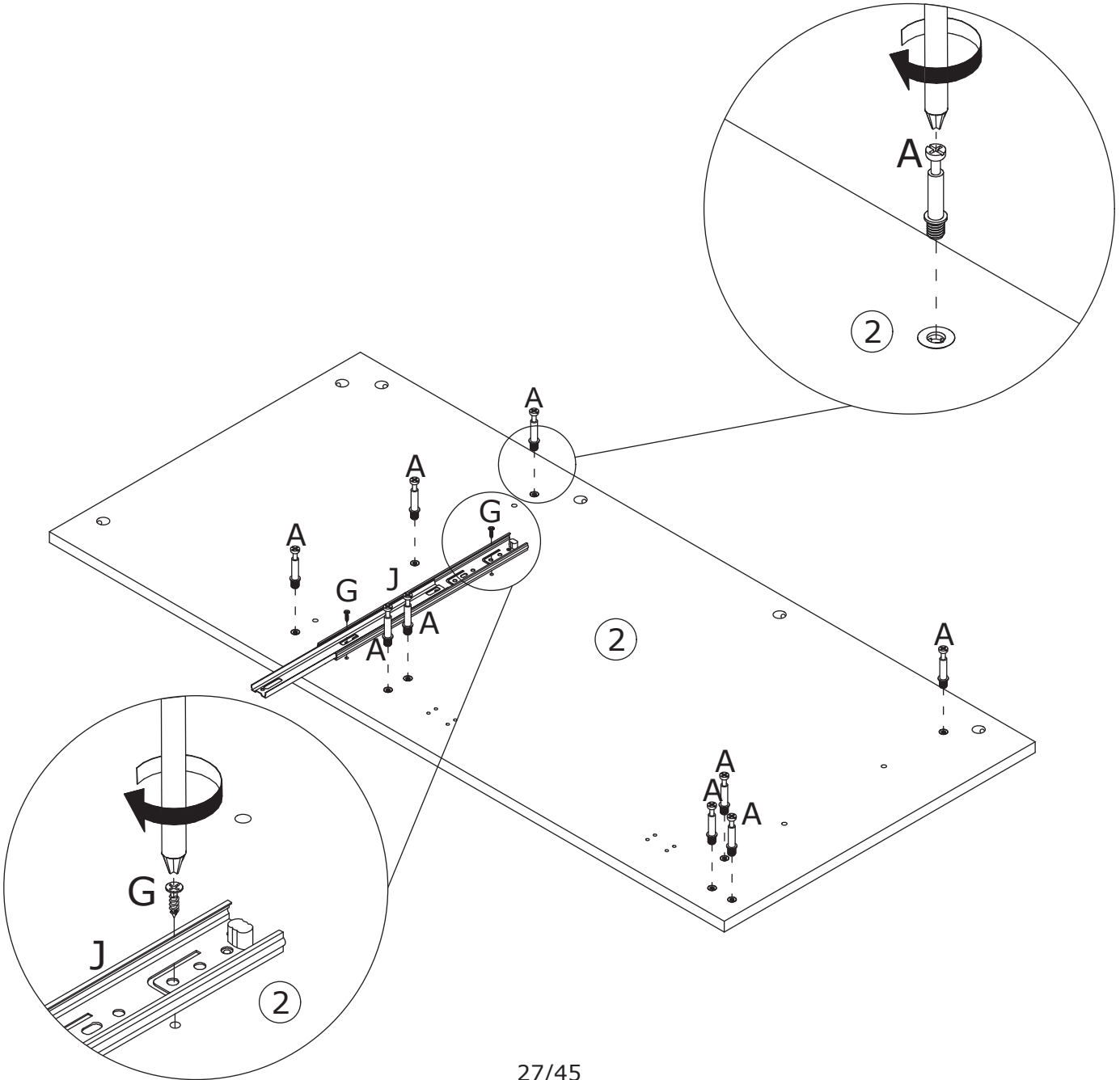
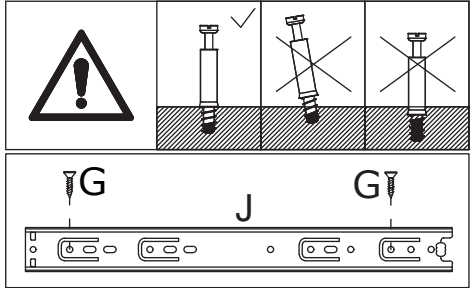


22

A x 9  CRA0635A	G x 2  CRD3514A	J x 1 	
--	--	--	---

Secure the screw (A) to the plate 2 as shown.

Use the screw (G) to secure the slide (J) to plate 2.



# 23

B x 9

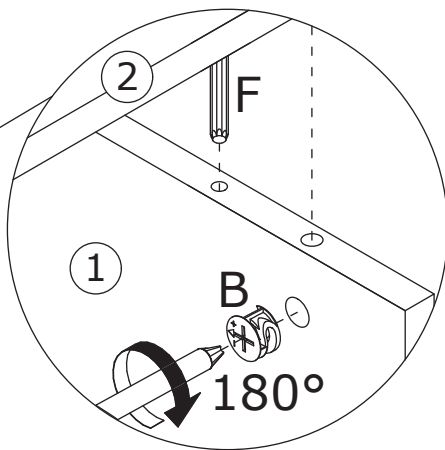
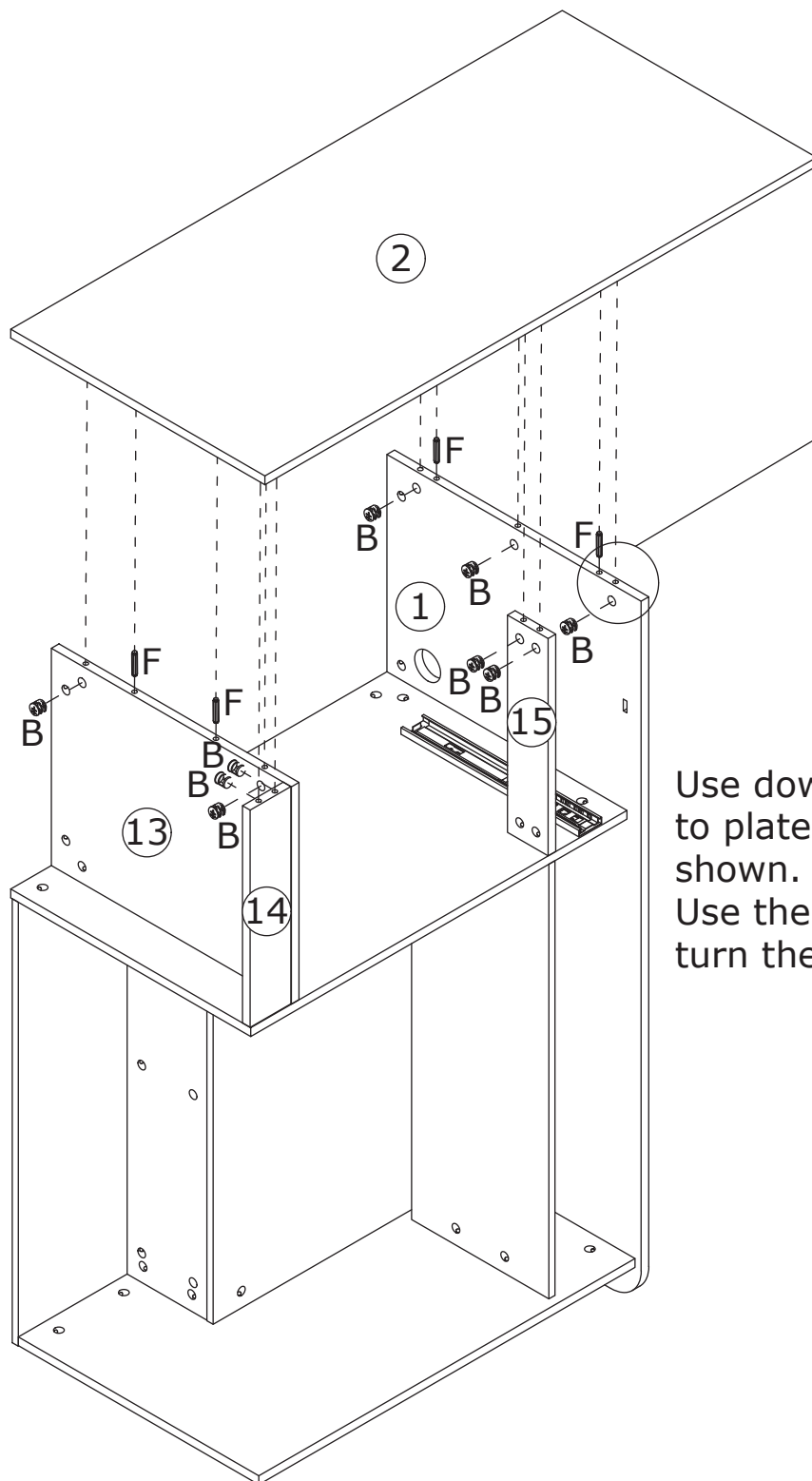
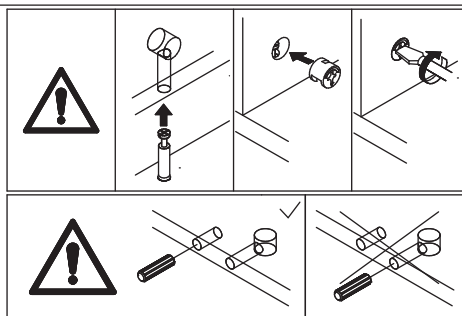
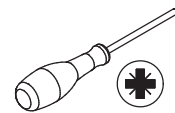


CRB1595A

F x 4



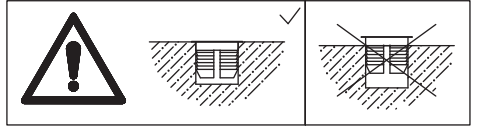
CRF0630A



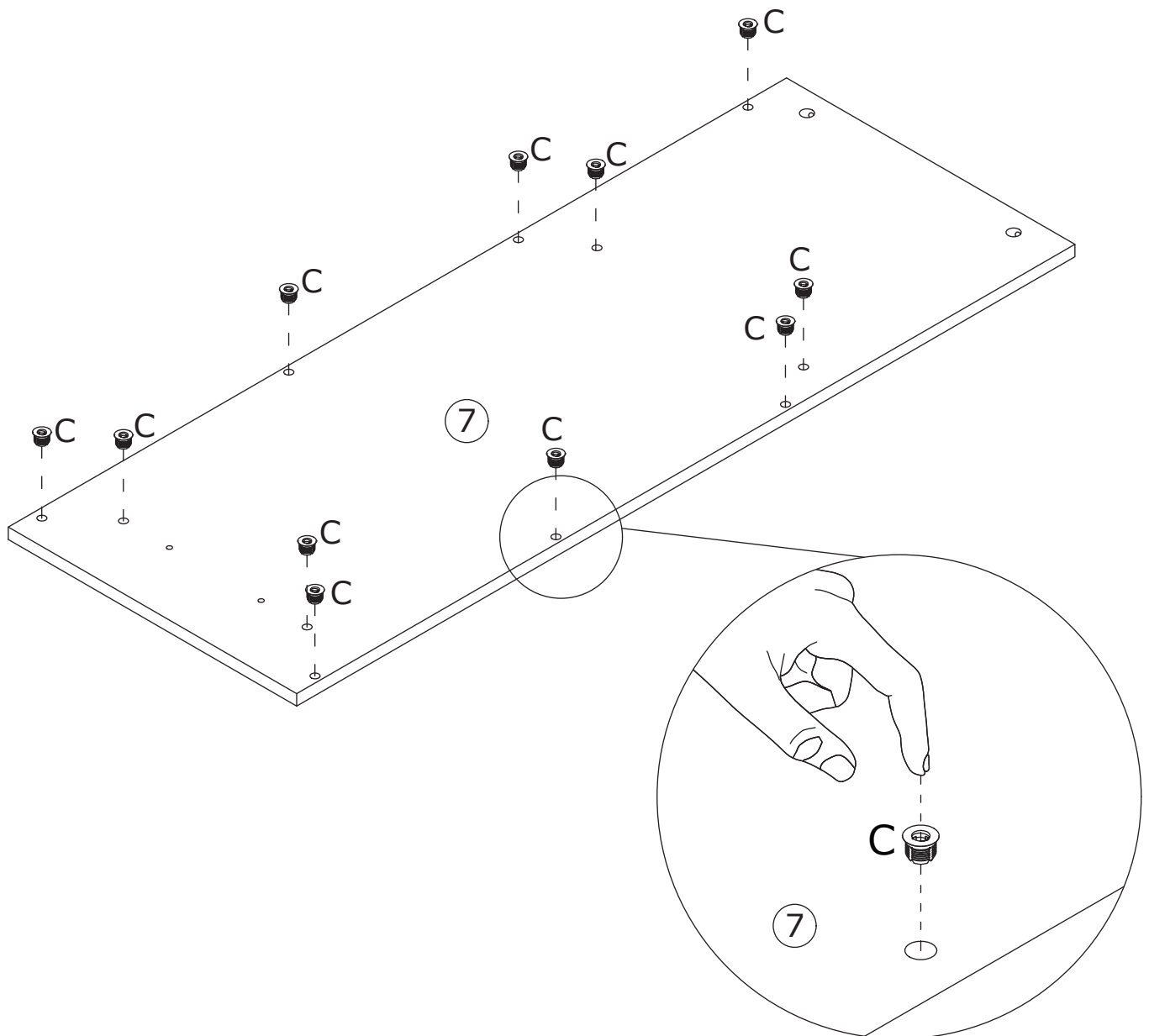
Use dowels (F) to connect plate 2 to plates 1, 13, 14 and 15 as shown.  
Use the eccentric wheel (B) and turn them clockwise to tighten.

24

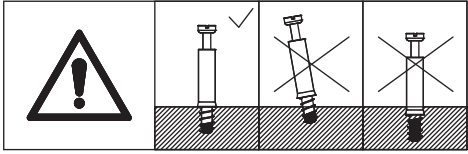
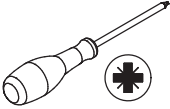
C x 11



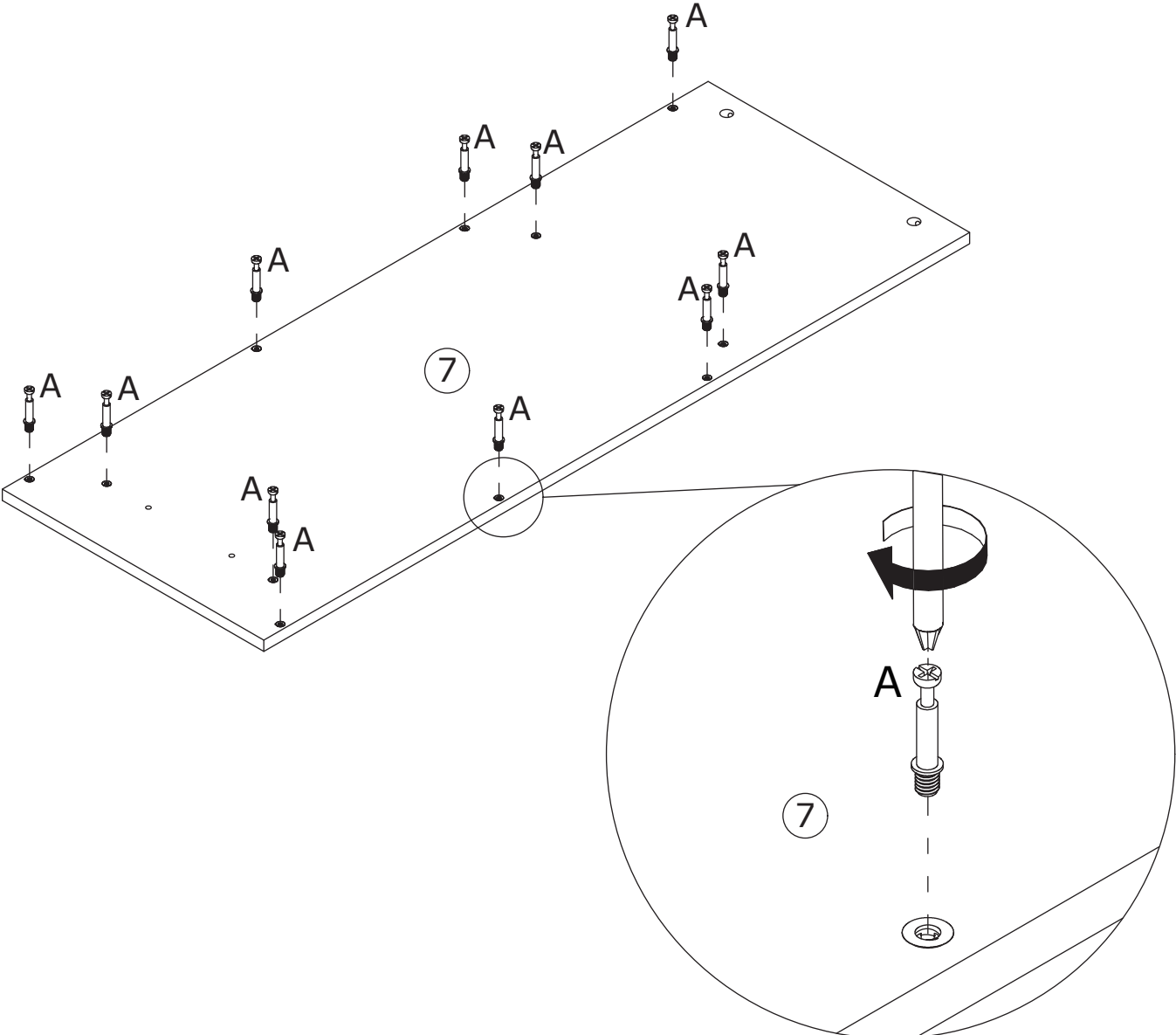
Press the pre-embedded parts (C) into the corresponding holes in the plate 7 as shown in the figure.



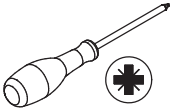
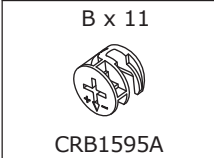
25



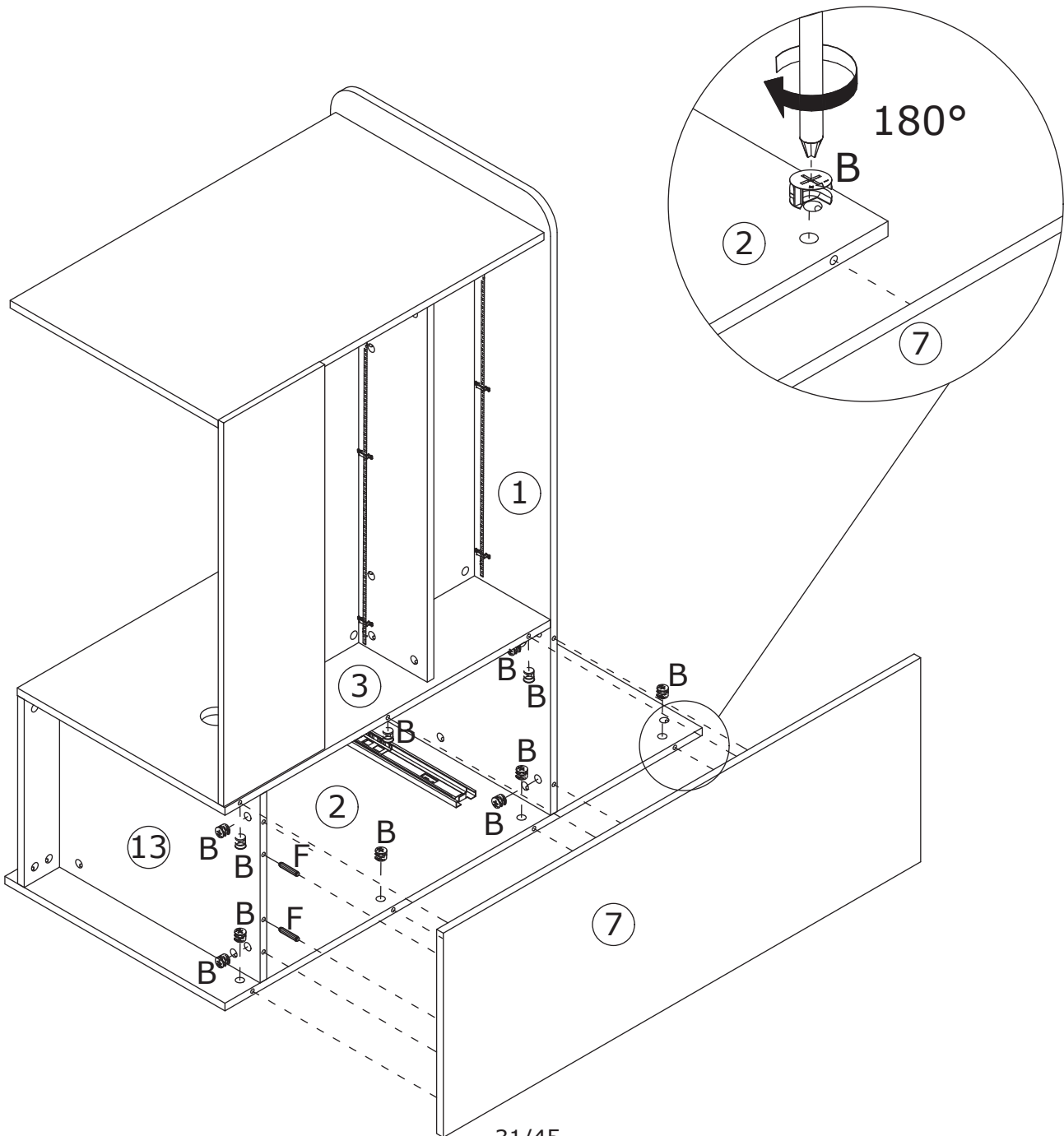
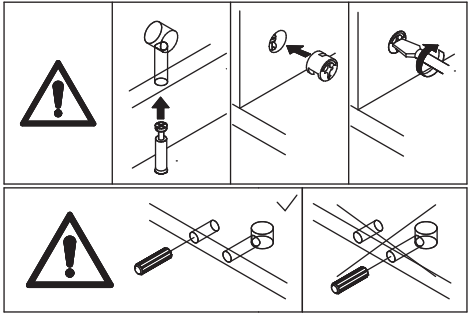
Secure the screw (A) to the plate 7 as shown.



26

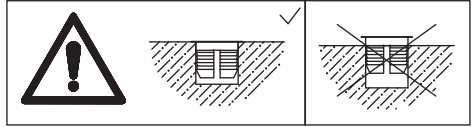


Use dowels (F) to connect plate 7 to plate 1, 2, 3 and 13 as shown.  
Use the eccentric wheel (B) and turn them clockwise to tighten.

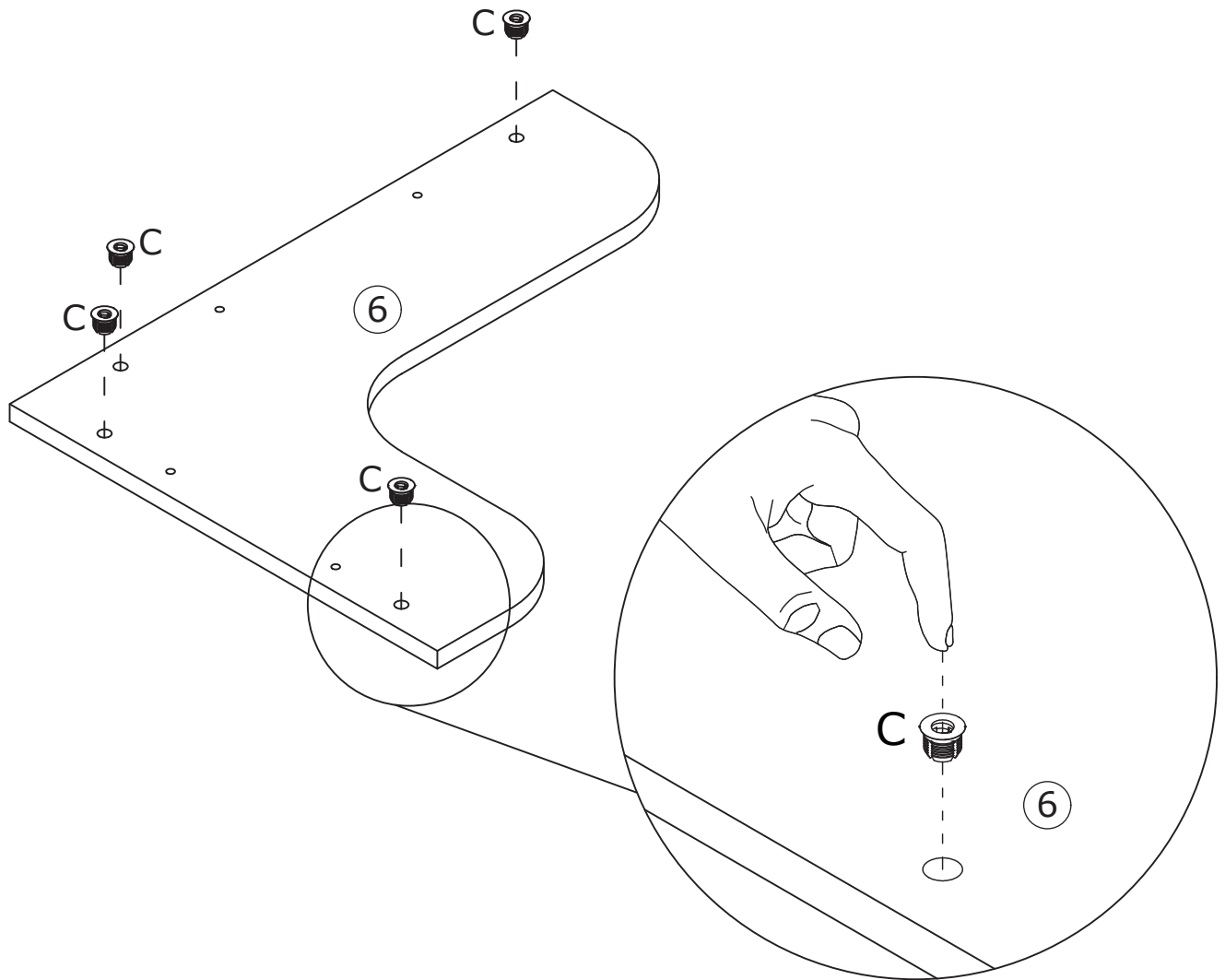


27

C x 4

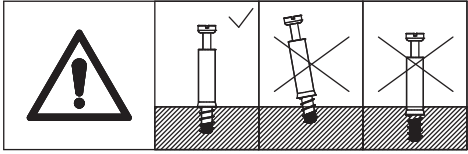
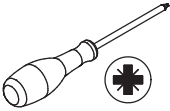


Press the pre-embedded parts (C) into the corresponding holes in the plate 6 as shown in the figure.

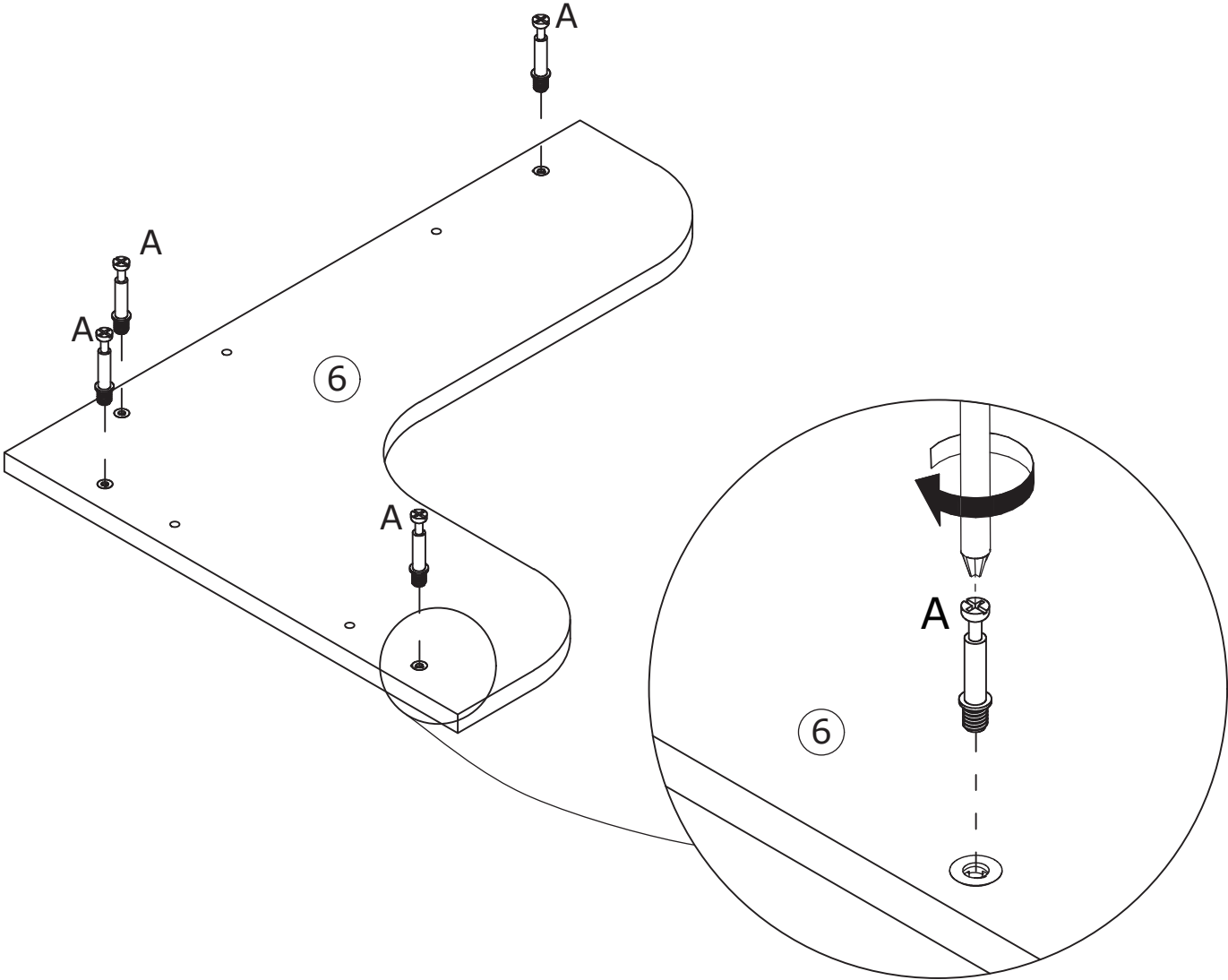


28

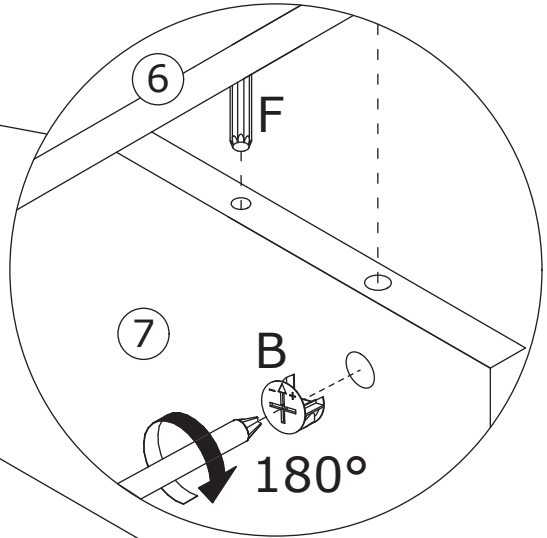
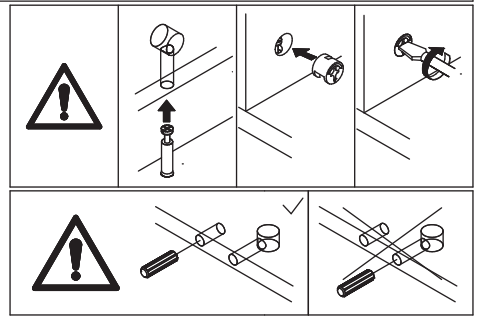
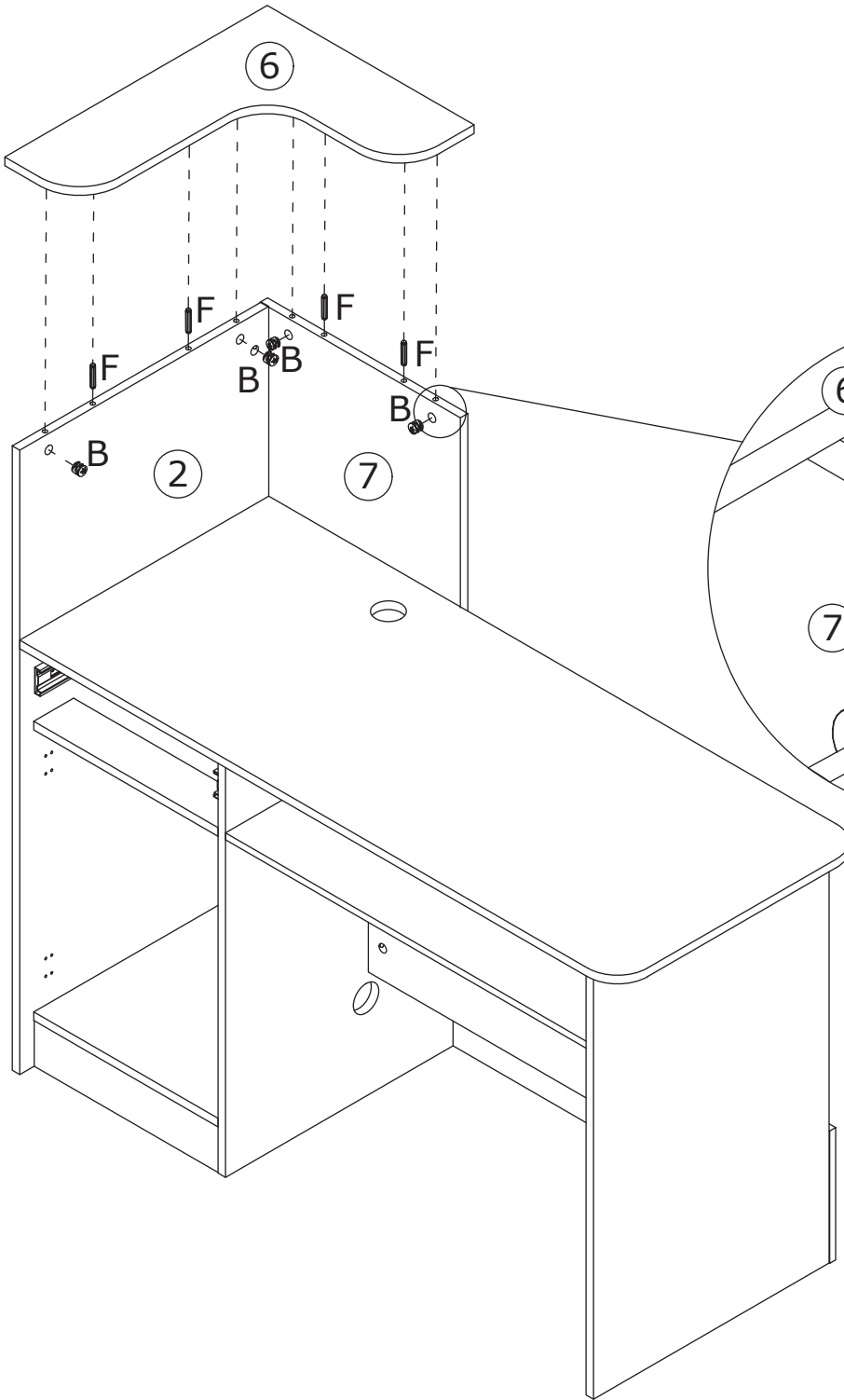
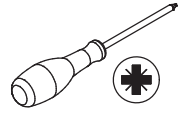
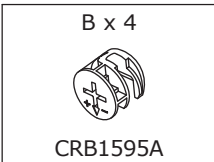
A x 4  
CRA0635A



Secure the screw (A) to the plate 6 as shown.





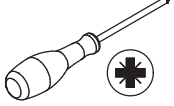


29

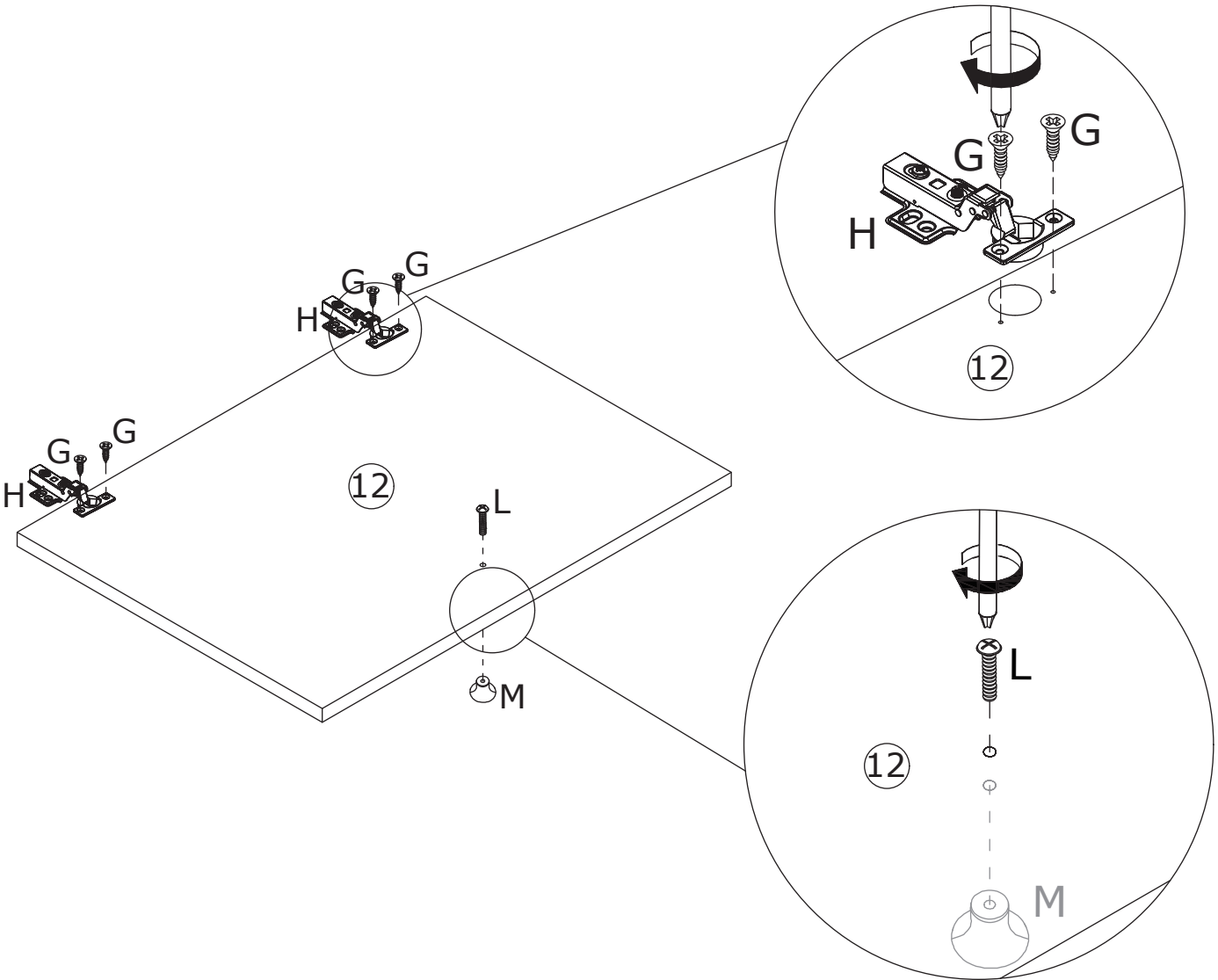


Use dowels (F) to attach plate 6 to plates 2, 7 as shown.  
Use the eccentric wheel (B) and turn them clockwise to tighten.

30

<p>G x 4</p>  <p>CRD3514A</p>	<p>H x 2</p>  <p></p>	<p>L x 1</p>  <p>CRE0418A</p>	<p>M x 1</p>  <p></p>	
--	--	--	---	---

Use screws (G) to secure the hinge (H) to plate 12 as shown.  
Use screws (L) to secure the knob (M) to plate 12 as shown.

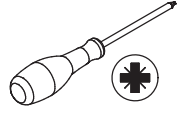


31

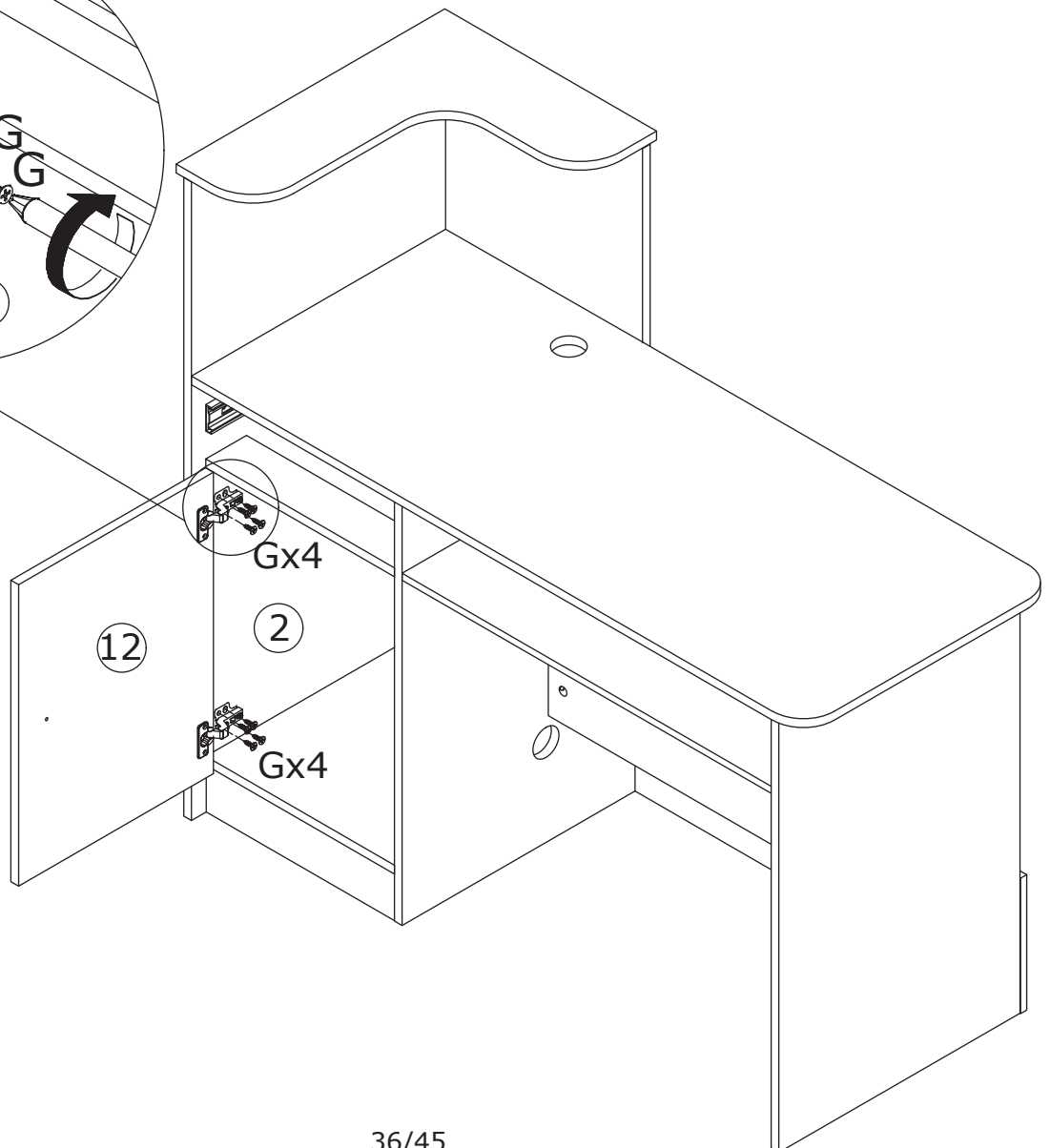
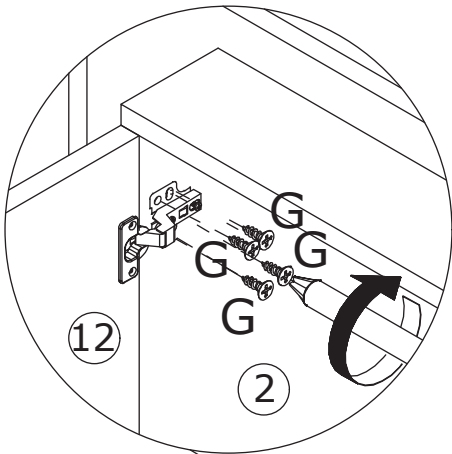
G x 8



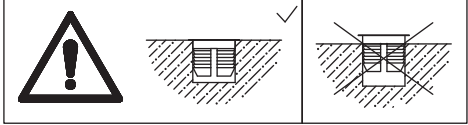
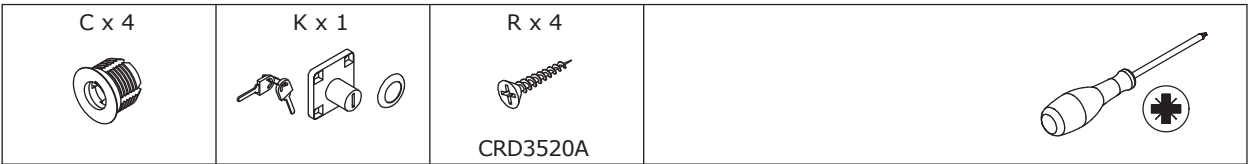
CRD3514A



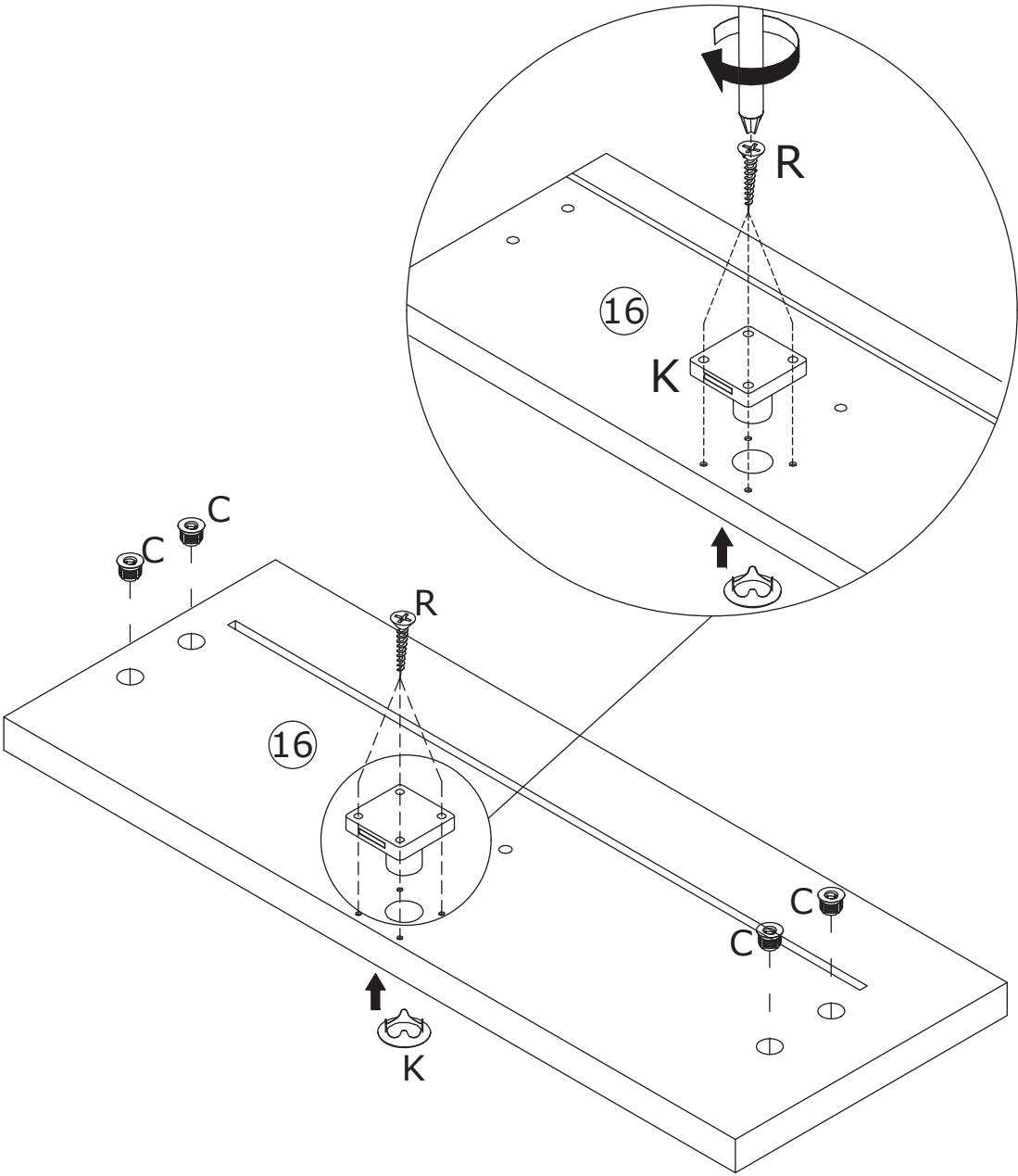
Secure plate 12 plate 2 using screws (G) as shown.



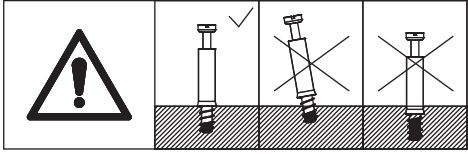
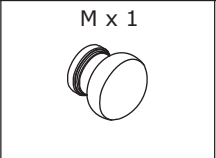
32



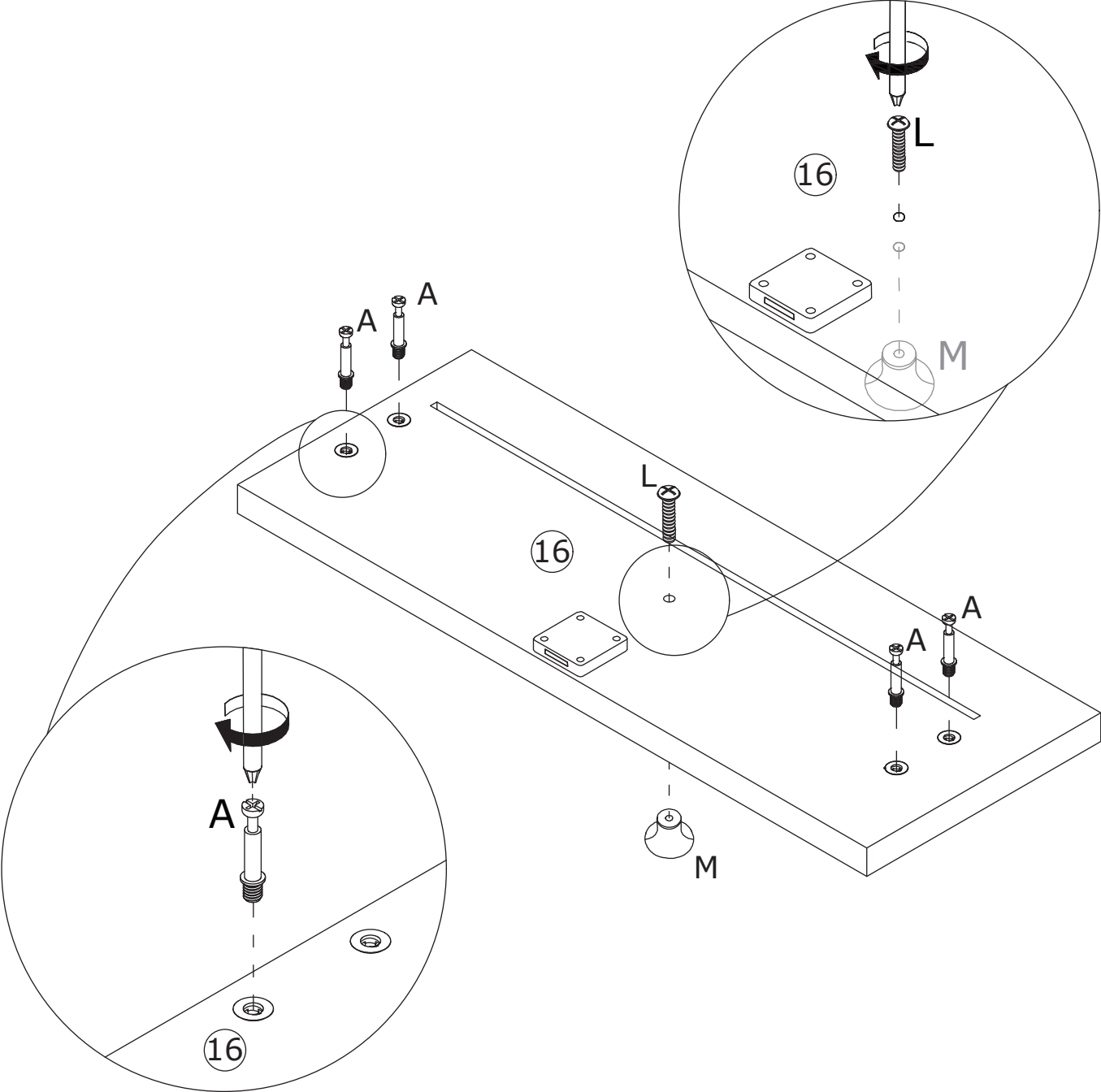
Press the pre-embedded fittings (C) into the corresponding holes in the plate 16 as shown. Use screws (R) to install lock (K) to plate 16 as shown.



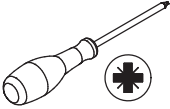
33



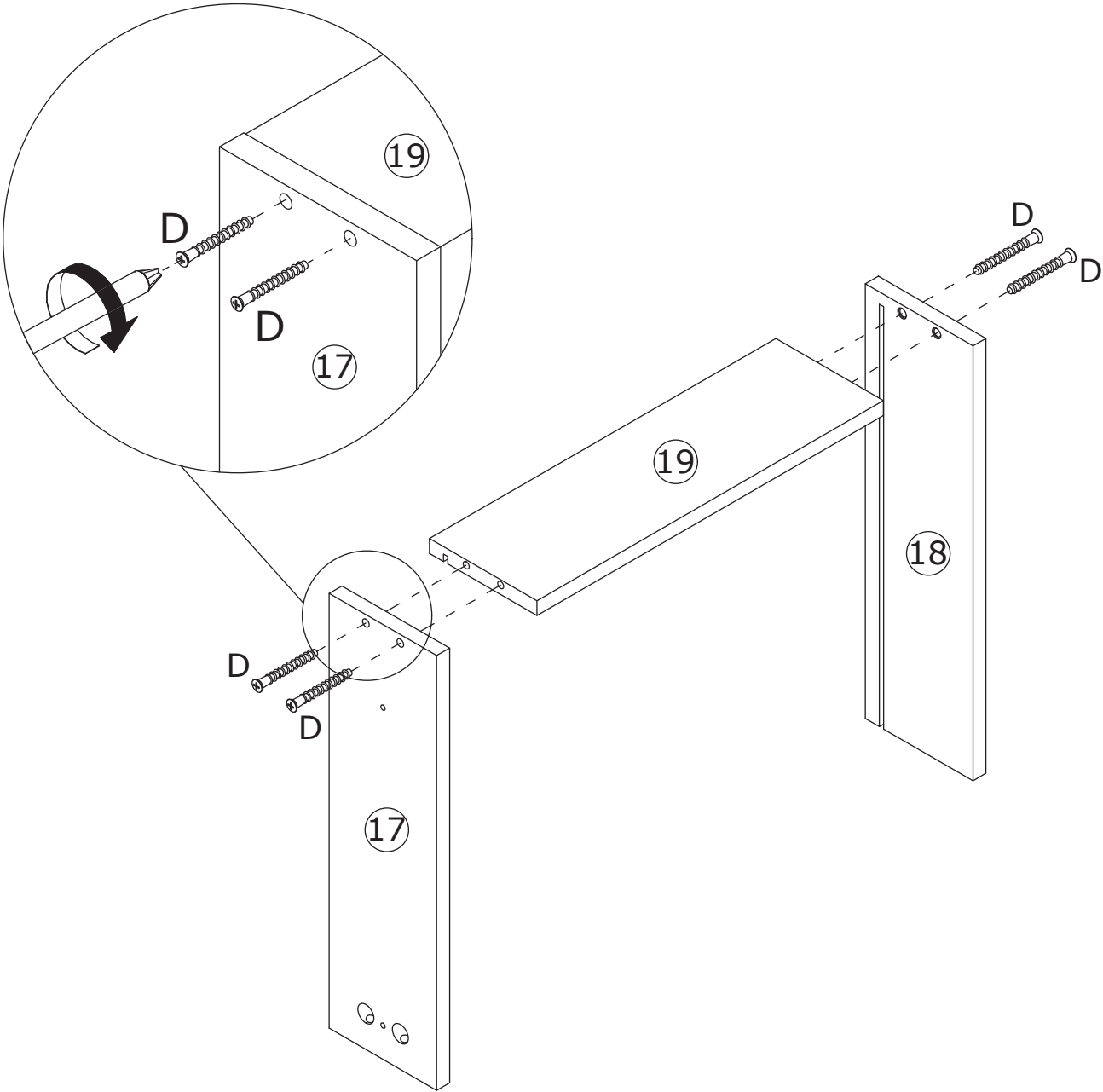
Secure the screw (A) to plate 16, and use the screw (L) to fix the knob (M).



34



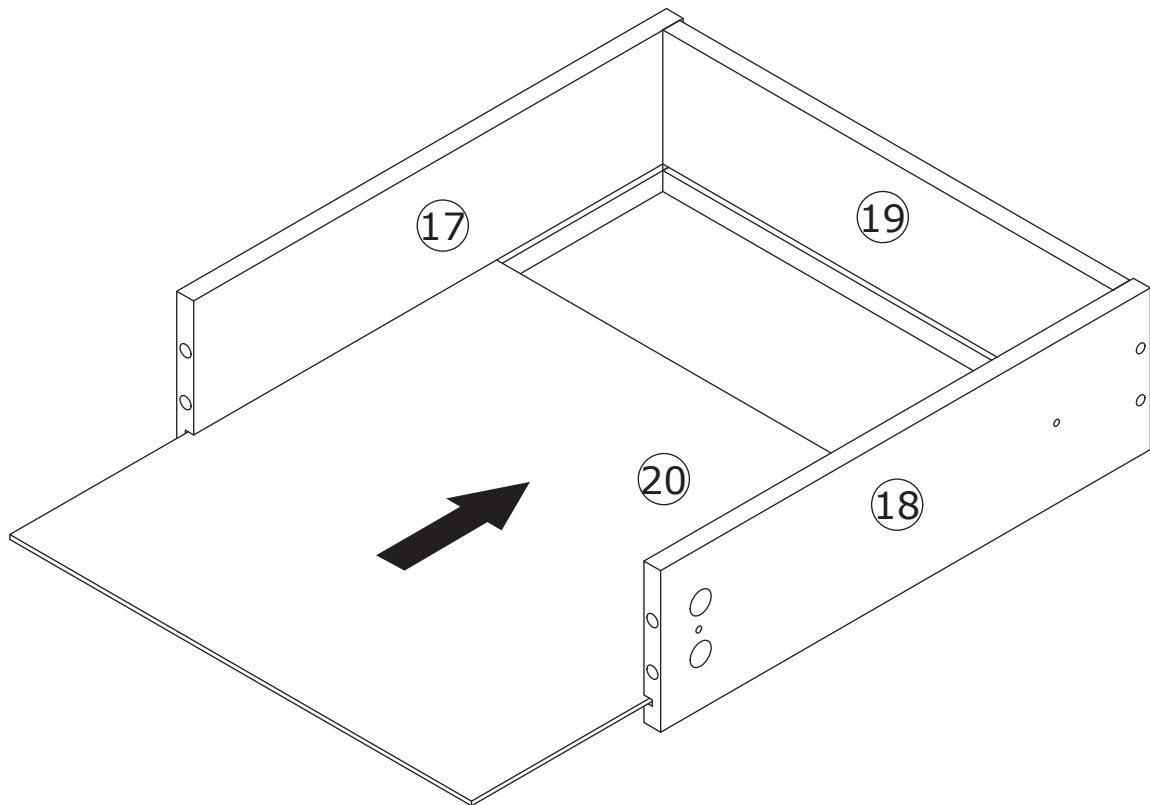
Connect plates 17, 18, and 19 using screw (D) as shown.



35



Insert the plate 20 into the slot as shown.

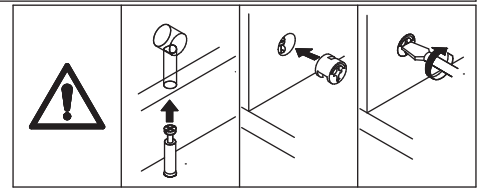
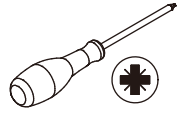


36

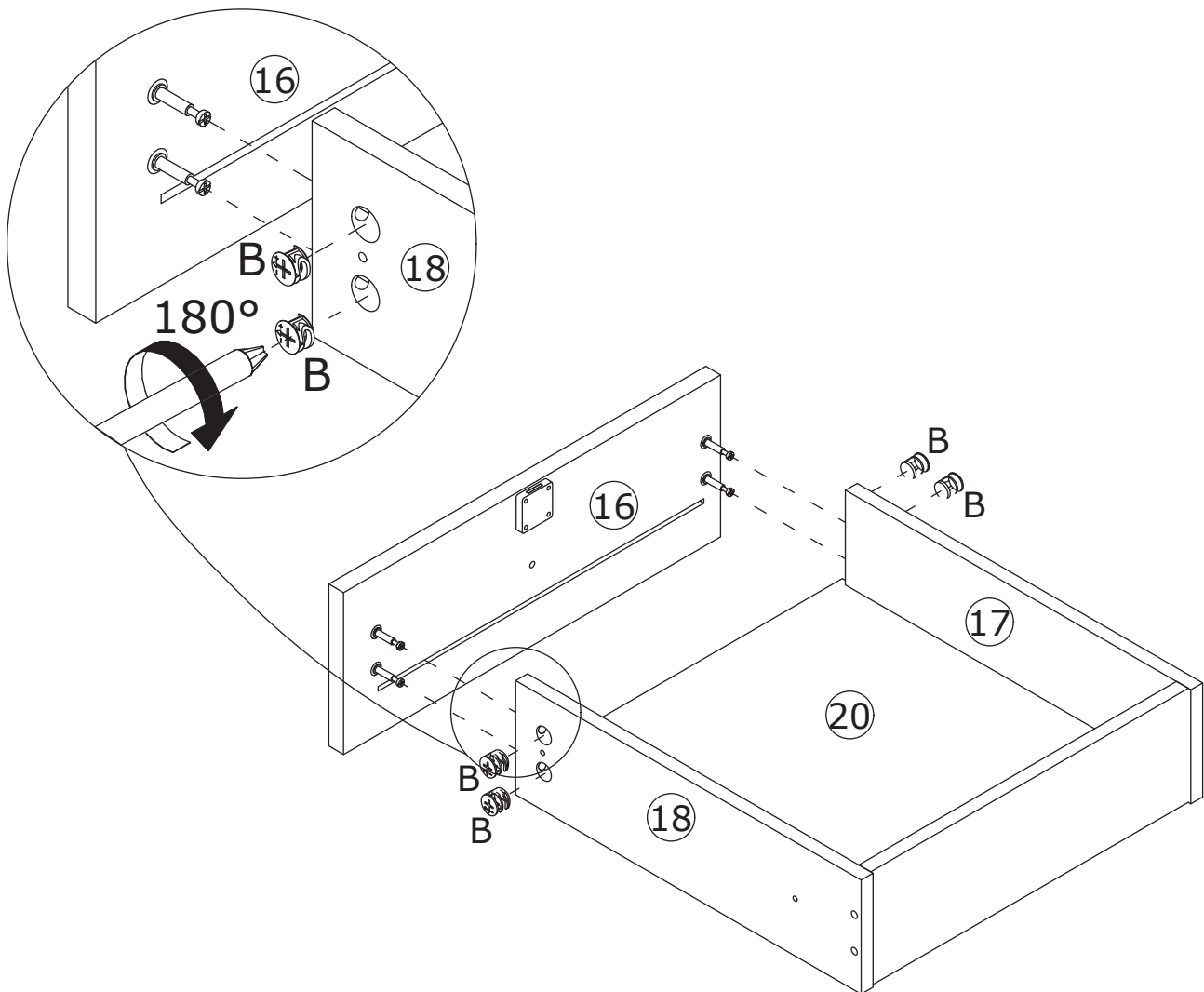
B x 4



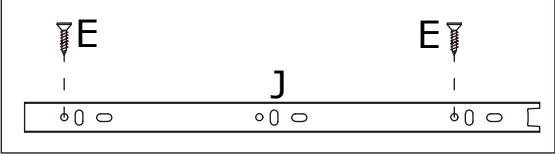
CRB1595A



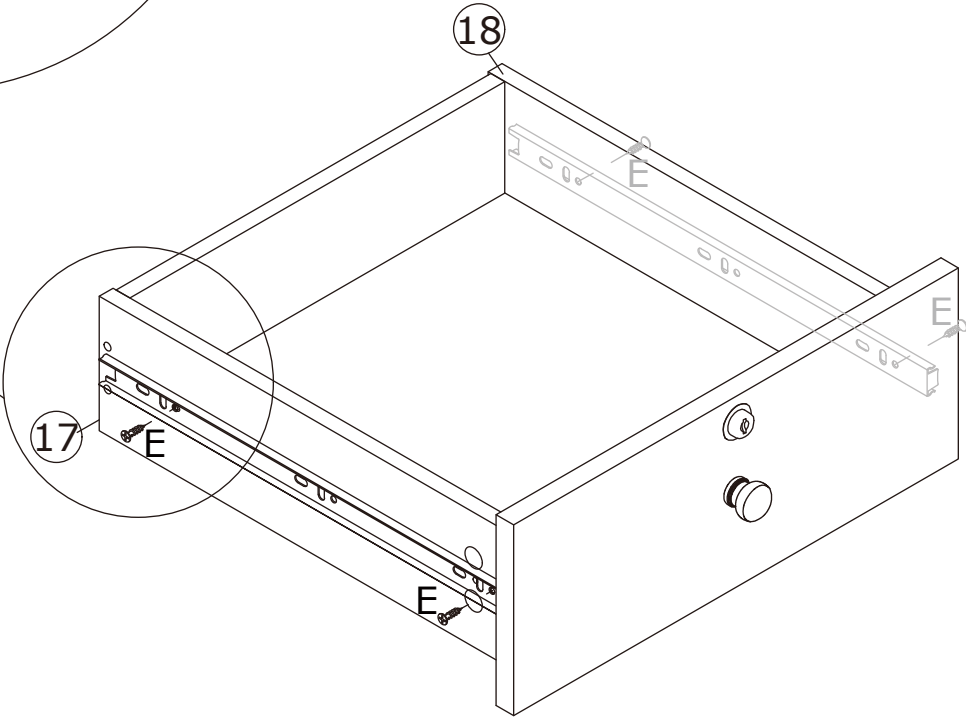
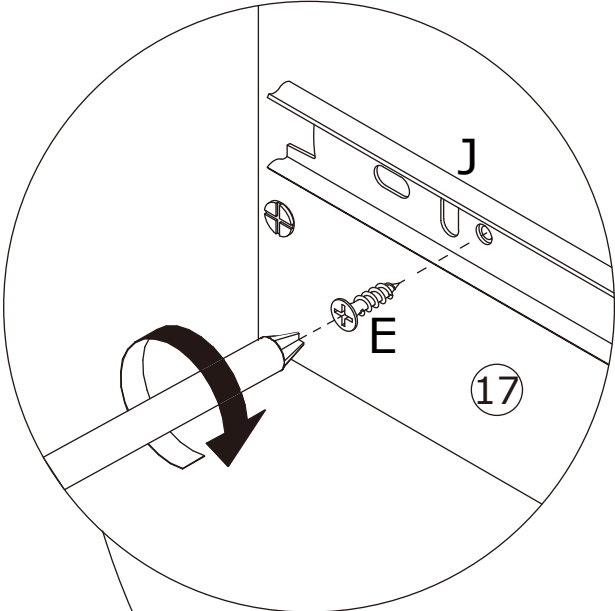
Attach plate 16 to plate 17, 18 and 20 as shown.  
Use the eccentric wheel (B) and turn them clockwise to tighten.



37

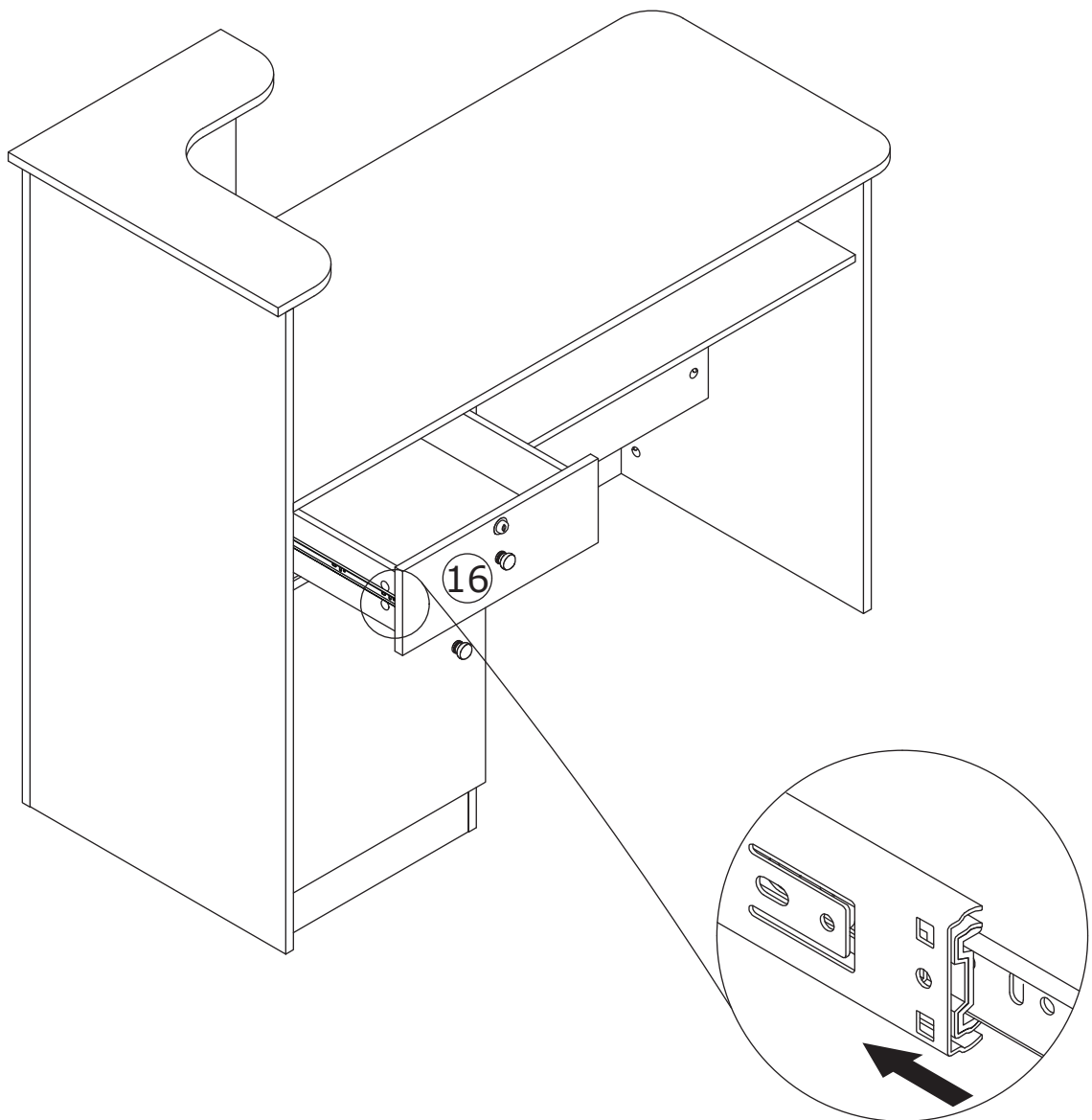


Use screws (E) to secure the slide (J) to plate 17 and 18 as shown.






38

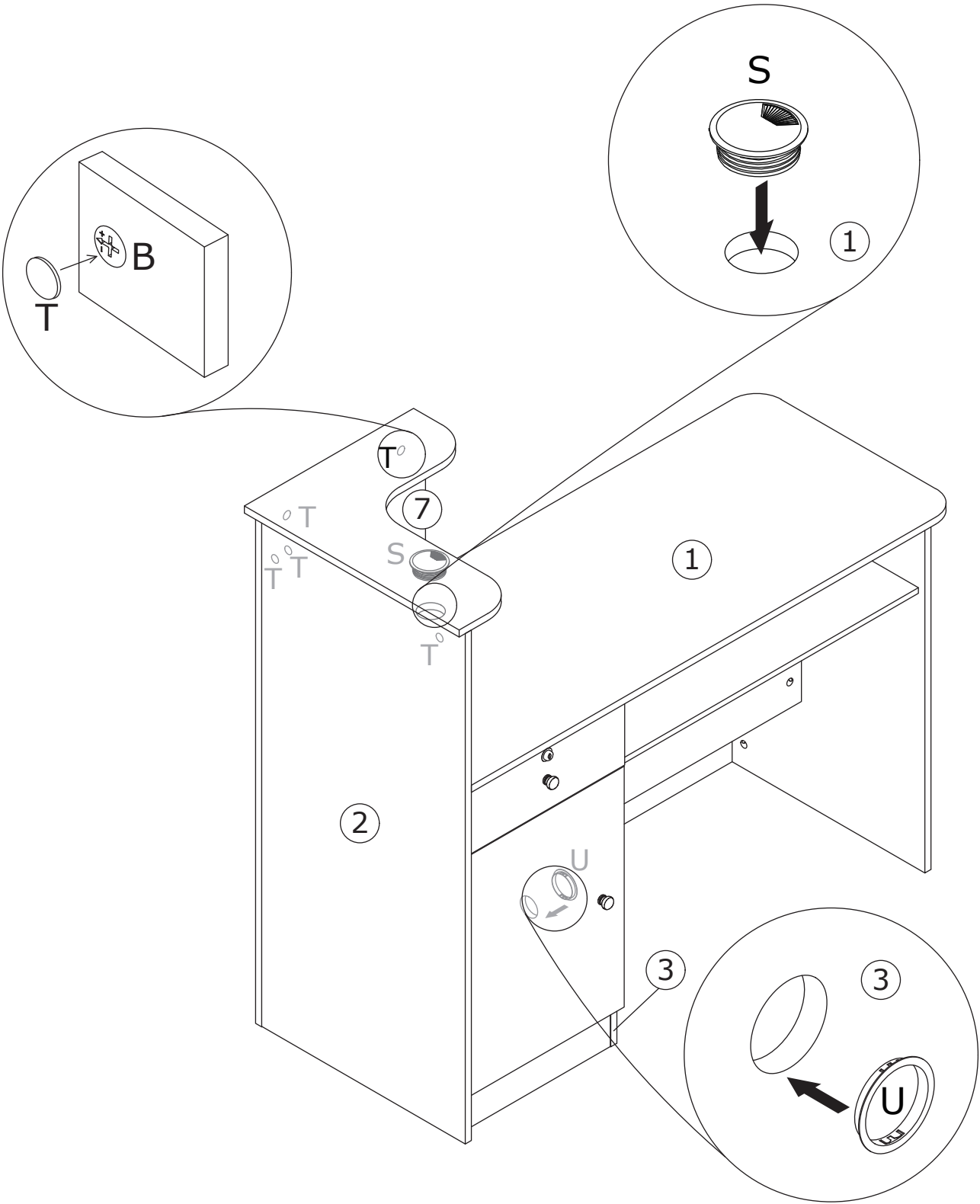
Align the slides to fit the drawer as shown.



39

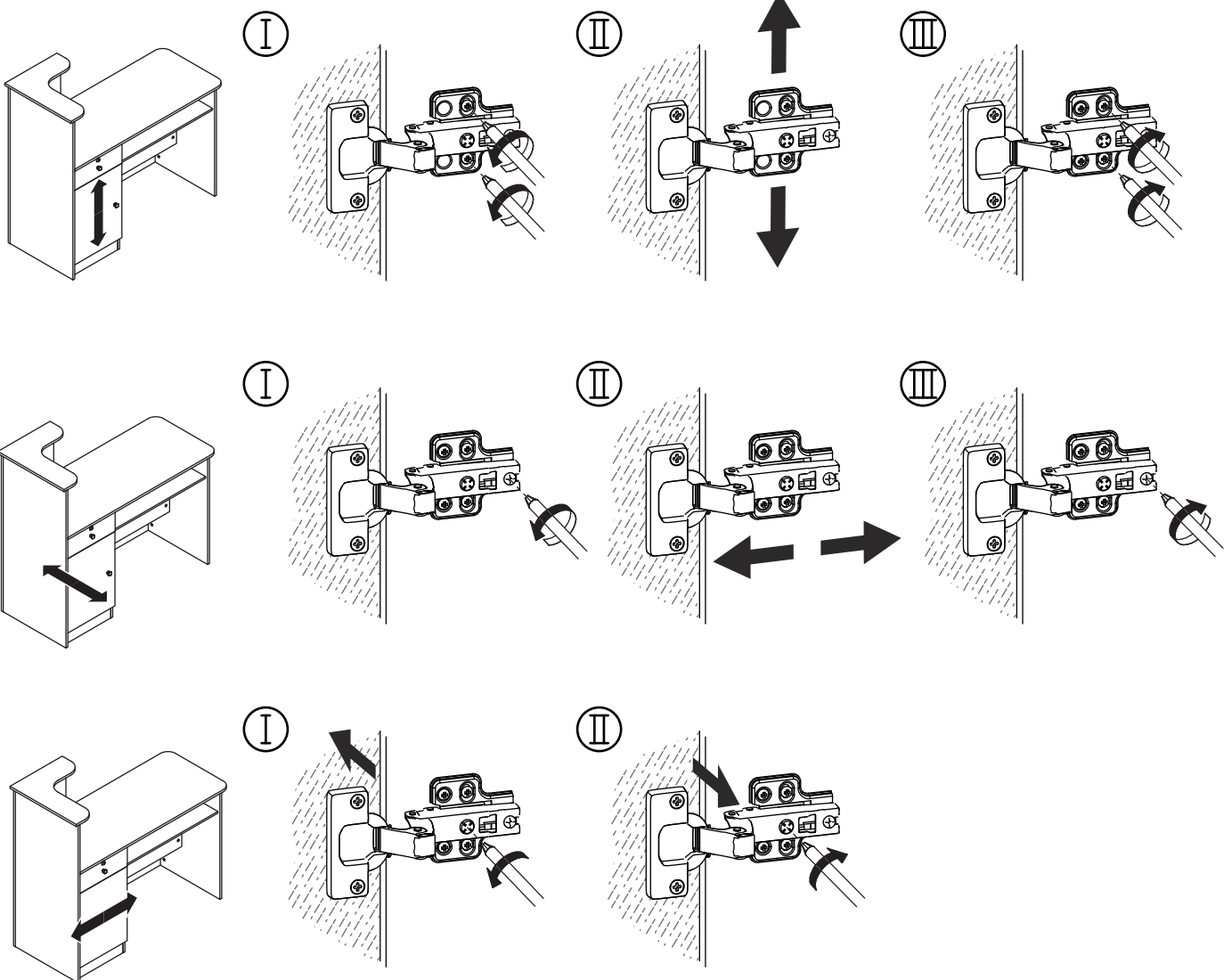
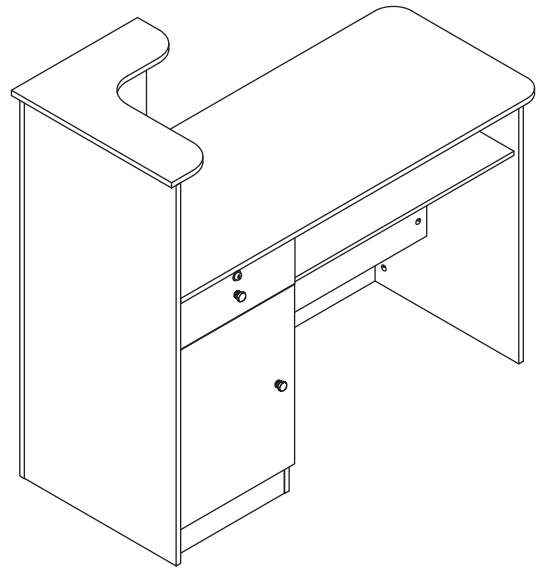
S x 1  60 mm	T x 5 	U x 1  60 mm	
---	--	---	--

As shown in the figure, use the hole sticker (T) to cover the exposed holes and insert the wire box (S), fittings (U) into plate 1 and 3.



**If doors are still not aligned if the hinges are properly installed, please watch the video.**

<https://youtu.be/n0Lb36SoODM>



# WARRANTY

## WARRANTY CLAIMS

- There is a 30-day warranty for broken furniture or any other problems that do not work properly. The warranty will start from the date of purchase which must be verified by proof of purchase.
- Before making a claim, we may be able to answer your query, simply call us. Please leave your purchase order number, along with some details of the problem, if you want a replacement part. We will arrange within 48 hours. If there is out of stock, we will reply with a shipping date.
- The product must be used in accordance with the instructions provided. For health reasons.
- For other reasons, if the furniture needs to be returned, it must be cleaned and dried and operated within 30 days of receipt.

## Type of Warranty Claim

- Failure to follow the furniture instructions will invalidate the warranty. Attention please.
- Does not include damage during installation, but includes damage during transportation.

## Scope of responsibility

- Shall not bear any responsibility for misuse or user damage and / or loss of parts during the installation of furniture.
- After using, the damage and scratches of the furniture are not covered by the warranty.

## The Warranty Relates to All Bought in The Us and Covers The Following Areas

- Sheet parts: 1 month from the date of purchase.
- Electrical parts: 1 month from the date of purchase.

# RETURNS

## CHANGED YOUR MIND AND NEED TO RETURN YOU ITEM?

### PLEASE FOLLOW THE BELOW INSTRUCTIONS:

- If you have purchased and have simply changed your mind, follow the retailer's instructions for returns.

### DEFECTIVE ITEMS

- If your item is defective in any way, i.e. it doesn't work but you can't identify why, in the first instance, please call us.

### DAMAGED ITEMS

- If you receive an order with obvious shipping damage from the retailer, then we suggest the delivery is refused. If the delivery has been accepted and then shipping damage is found, please follow the specific instructions advised by the retailer.  
In all circumstances please save all packaging material and paperwork for the order. Please be aware that if you dispose of packaging material or attempt to return the merchandise without contacting the fulfiller, you jeopardise your chances of making a claim, and you may not receive a credit for the return.

### AFTER-SALES CONTACT



adelahu@fufugaga.com



208-820-0068