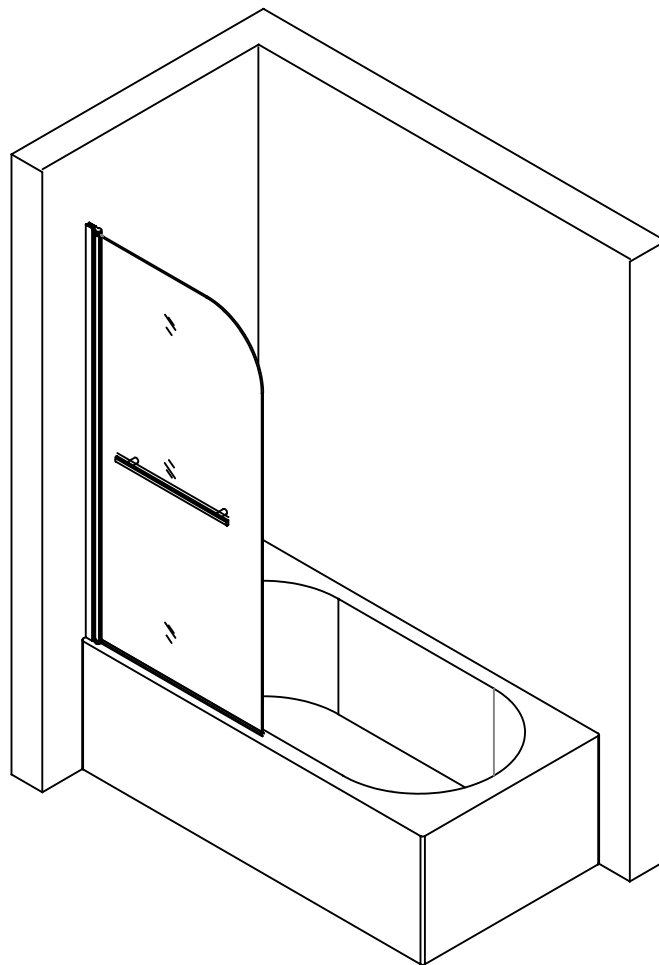


# Shower Door Installation Guide

## DS02



**Plz do not just return when meeting difficulties in installation, just contact your seller for help.**

---

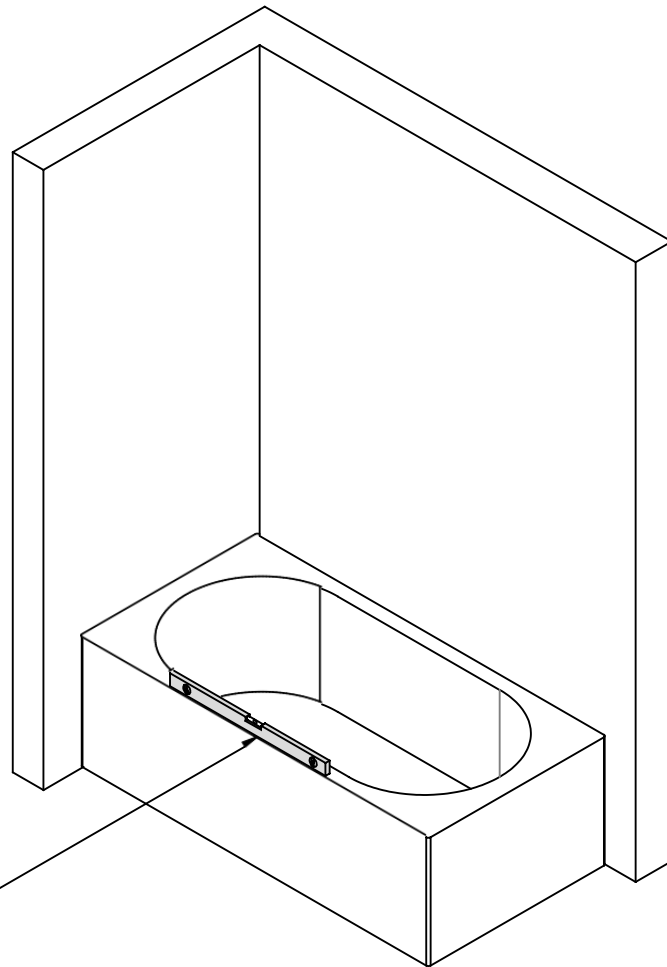
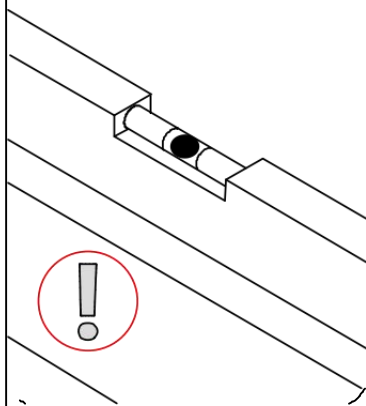
## Model Specific Preparation



**REQUIRED:**

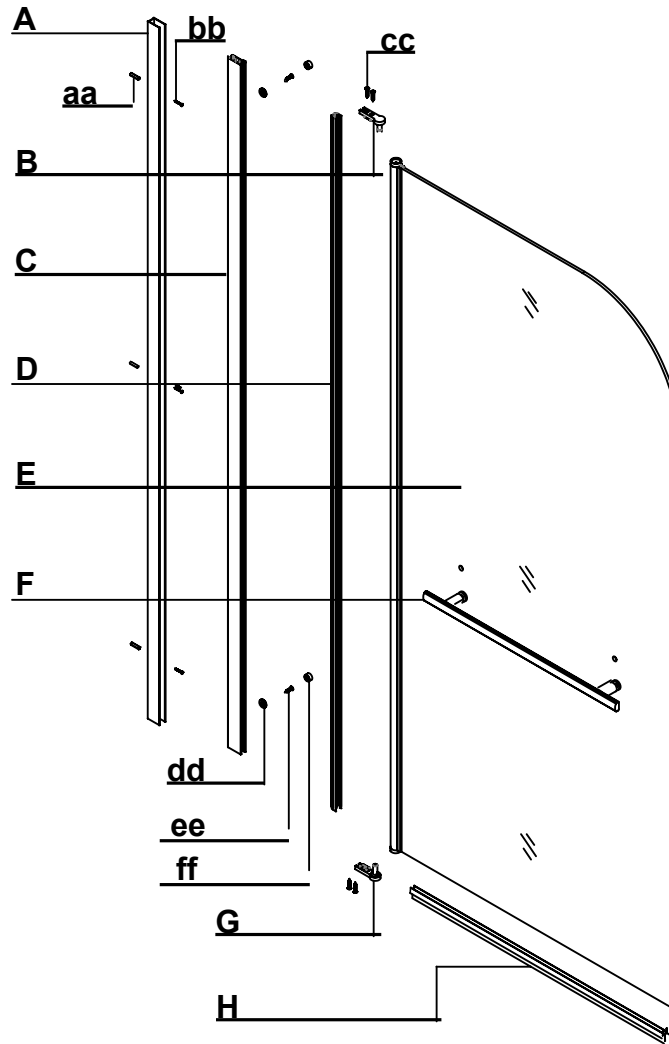
Inspect the shower threshold for level with a level or straightedge. Adjust the threshold as necessary until achieving perfectly horizontal.

The threshold must be perfectly horizontal.



# SHOWER DOOR

## PACKAGE CONTENT



### PARTS LIST

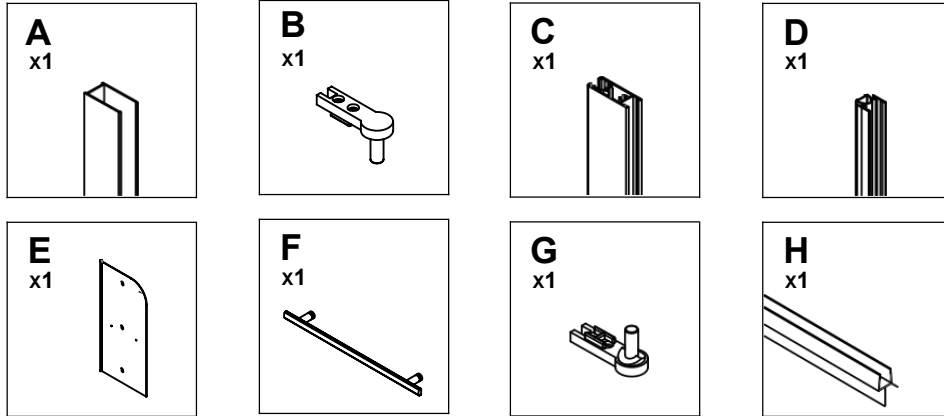
PART#	DESCRIPTION	QTY	PART#	DESCRIPTION	QTY
A	Wall Channel	1	E	Pivot Door Panel	1
B	Top Pivot Bracket	1	F	Handle	1
C	Side Profile	1	G	Lift Pivot Bracket	1
D	Side Seal Strip	1	H	Bottom Sweep Seal	1

**NOTE**

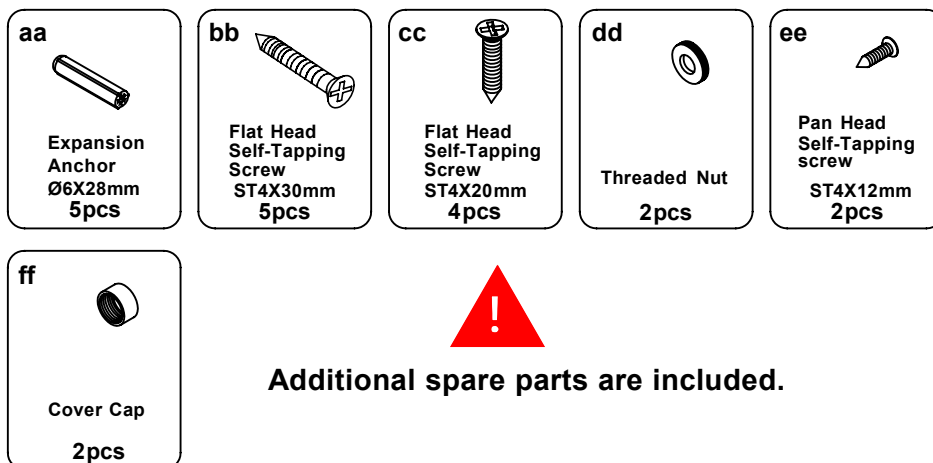
Please inspect all parts for missing items before installation.  
If any part is missing, please contact us.

# SHOWER DOOR

## PACKAGE CONTENT



## HARDWARE CONTENT



**NOTE**

Inspect all parts for any missing items prior to installation!  
Contact us if any parts are missing.

# SHOWER DOOR

## TOOLS REQUIRED

**Drill Bits**



Ø1/4" & Ø5/16" (6 & 8mm) dia.  
HSS

**Screw Driver**



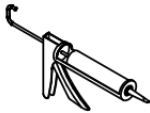
**Drill**



**Level**



**Silicone**



**Measuring Tape**



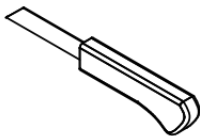
**Soft Head Hammer**



**Pencil**



**Knife**



**Masonry Drill Bit For Tile**  
Ø6mm



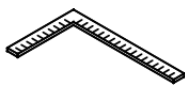
**Safety Glasses**



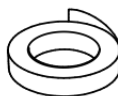
**Gloves**



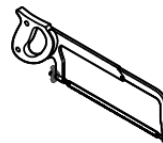
**Carpenter's Squarer**



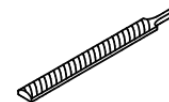
**Masking or Painter's Tape**



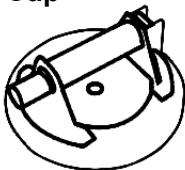
**Hack Saw**



**Metal File**



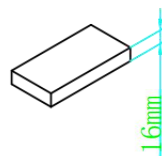
**Glass suction Cup**



**Drill Bit**  
Ø3mm



**wooden pad**



## SAFETY INFORMATION

### CAUTION

Please carefully read the following important safety information before handling or installing this shower door. There is a risk of serious injury while handling this product.

To minimize these risks, please note:

- Always wear safety glasses and gloves while handling.
- Always follow the installation instructions.
- Inspect the glass for damage before installation.
- Extreme caution should be taken while handling the glass during installation, as the tempered glass may shatter if it comes into contact with a hard surface.
- Do not cut or modify the tempered glass, as it will shatter if cut.
- Carefully remove the product from its packaging and keep the packaging until the installation is complete.
- Inspect all parts for damage or missing items. If there is any damage or missing parts prior to installation, please contact your seller for help.
- Cover the drain with tape to prevent the loss of small parts.
- The shower base and finished walls should be installed before beginning the shower door installation.
- During installation, protect the shower floor with a drop cloth to prevent damage.
- This product should be installed by two people who are familiar with construction requirements. Professional installation is recommended!
- Keep this installation manual for future reference.

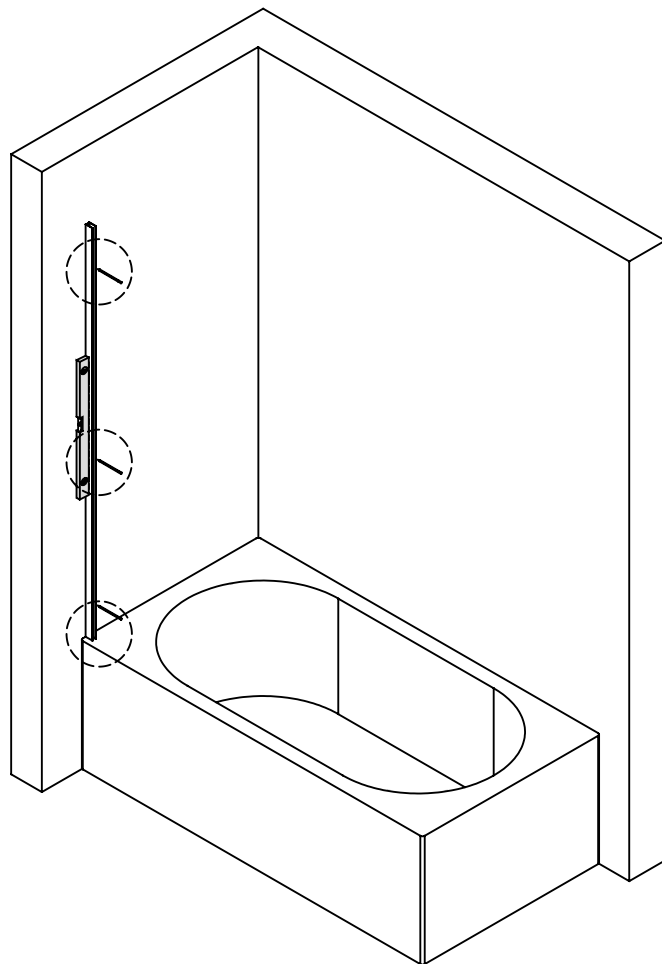
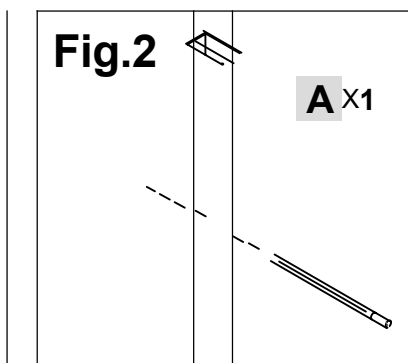
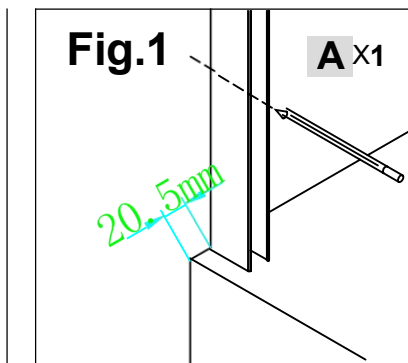
**NOTE:** Two people should perform this installation.



**1** Position **Wall Channel(A)**

NOTE

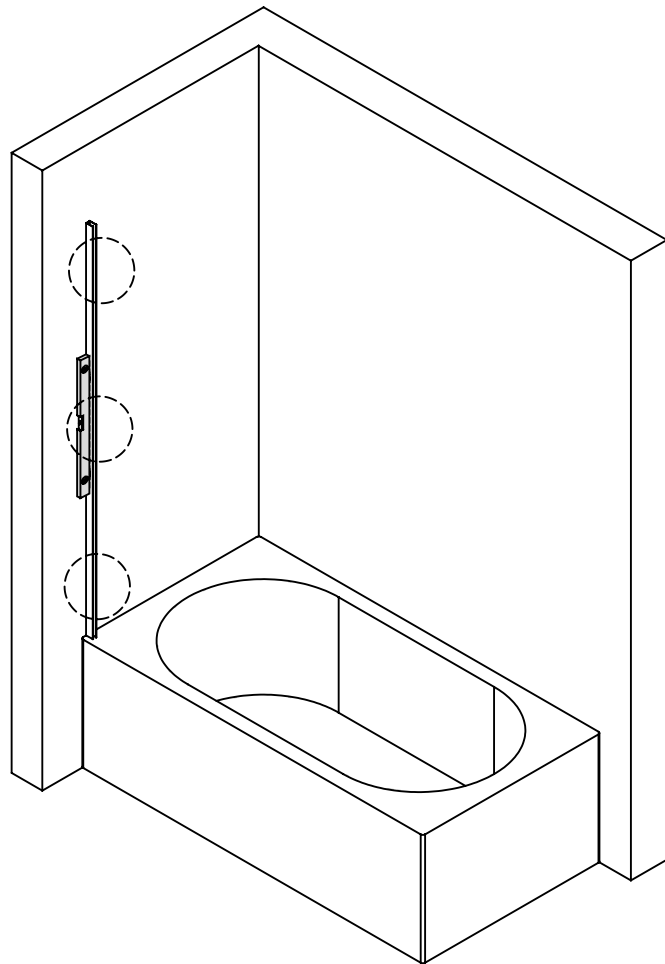
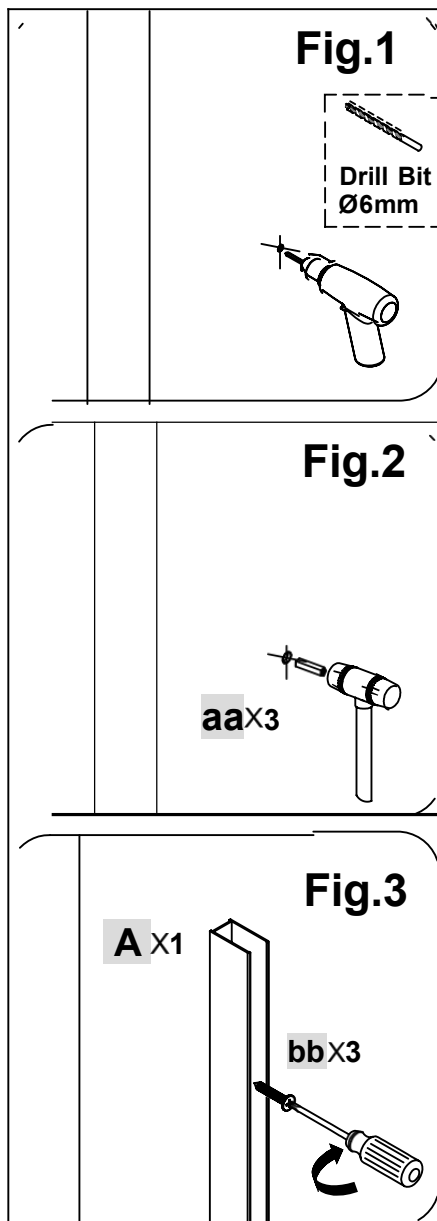
1. Place the **Wall Channel (A)**  $13/16"$  (20.5mm) away from the edge. Use a level to ensure the **Wall Channel (A)** is perfectly vertical.
2. Mark the mounting hole positions on the wall through the holes in the **Wall Channel (A)**.



## 2 Install Wall Channel (A)

NOTE

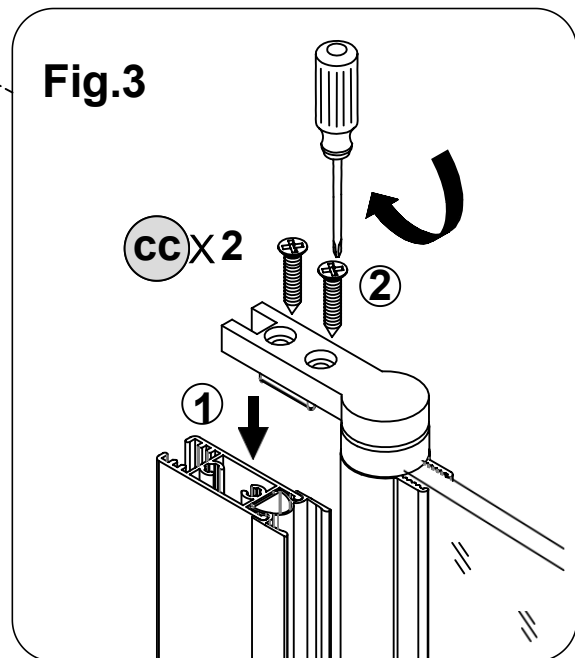
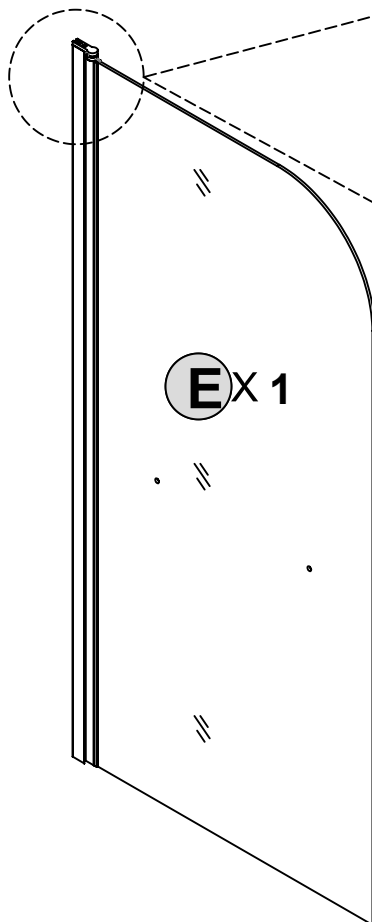
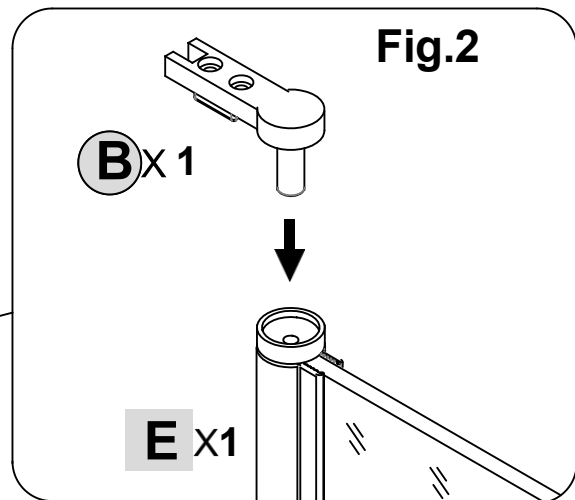
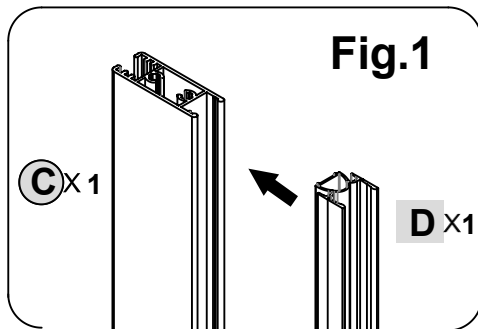
1. Move the **Wall Channel (A)** aside. Using a drill, create  $\text{Ø}6\text{mm}$  holes at the marked positions.
2. Tap the **expansion anchor  $\text{Ø}6\text{X}28\text{mm}$  (aa)** into the wall using a soft-head hammer.
3. Secure the **Wall Channel (A)** to the wall using the **ST4X30mm flat head self-tapping screws (bb)**, ensuring it remains perfectly plumb.



### 3 Install Top Pivot Bracket (B)

1. Snap the **Side Seal Strip (D)** into the channel of the **Side Profile (C)**.
2. Insert the **Top Pivot Bracket (B)** into the top hole of the **Pivot Door Panel (E)**.
3. Engage the channel of the **Top Pivot Bracket (B)** into the **Side Profile (C)**. Secure it using the **ST4x20mm flat head self-tapping screws (cc)**.

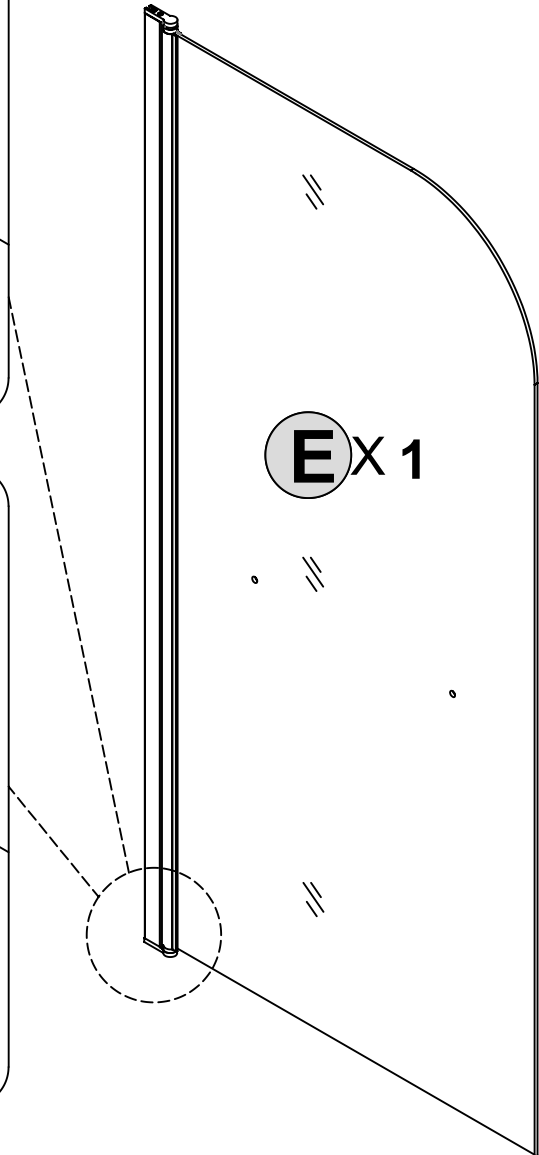
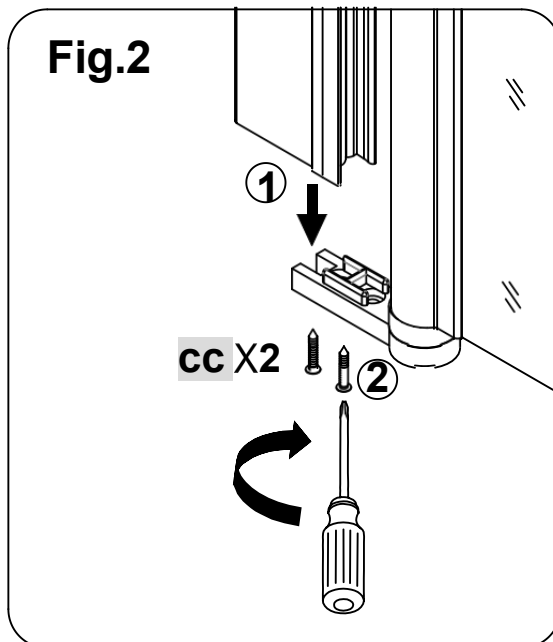
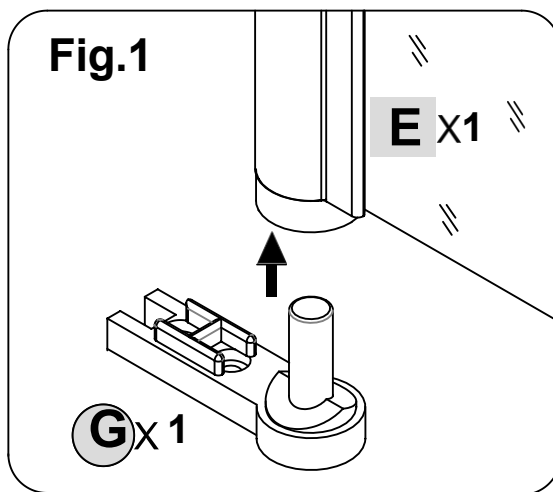
NOTE



**4** Install **Lift Pivot Bracket (G)**

1. Insert the **Lift Pivot Bracket (G)** into the bottom hole of the **Pivot Door Panel (E)**.
2. Engage the channel of the **Lift Pivot Bracket (G)** into the **Side Profile (C)**. Secure it using the **ST4x20mm flat head self-tapping screws (cc)**.

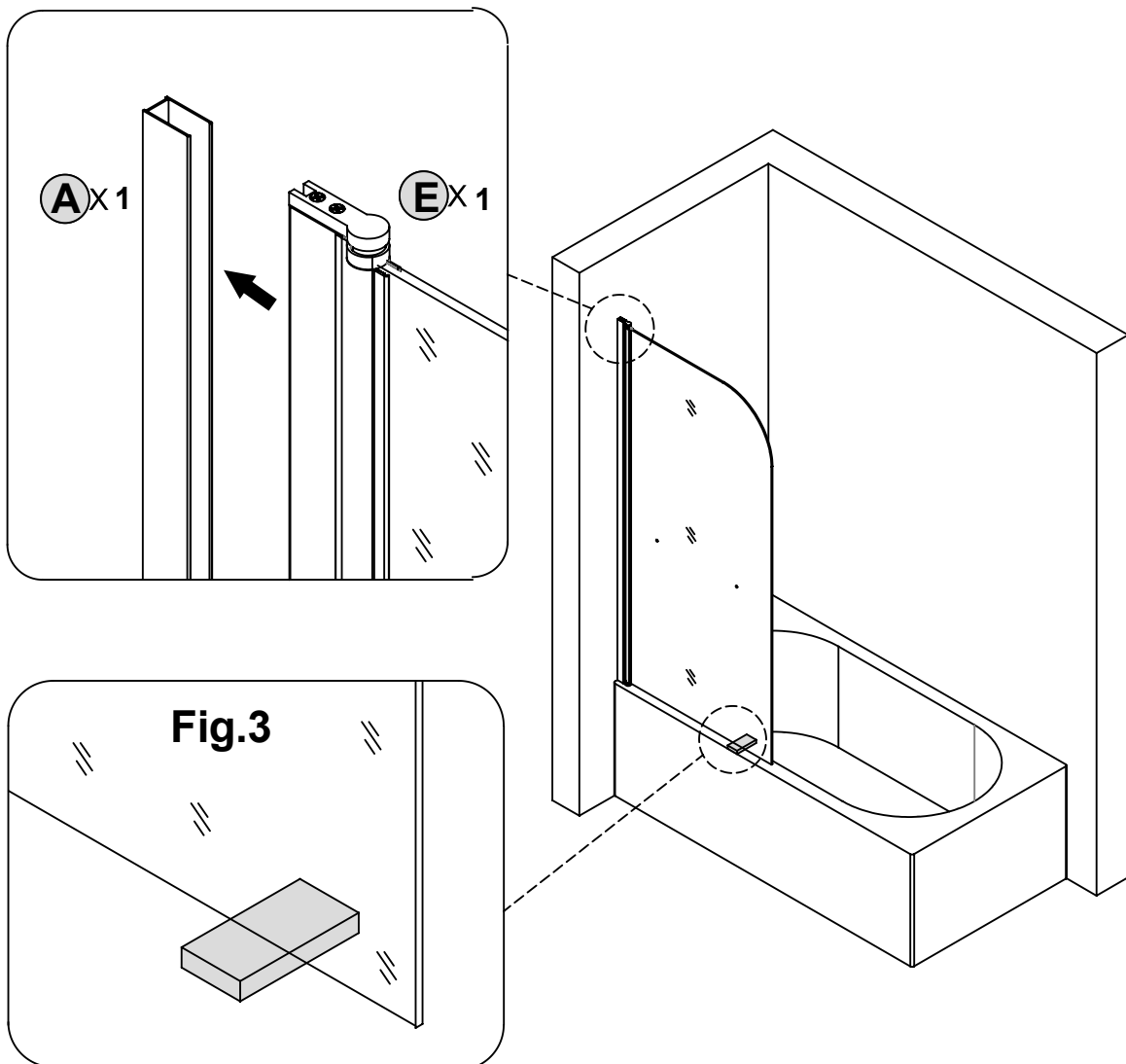
NOTE



**5** Mount **Pivot Door Panel (E)**

NOTE

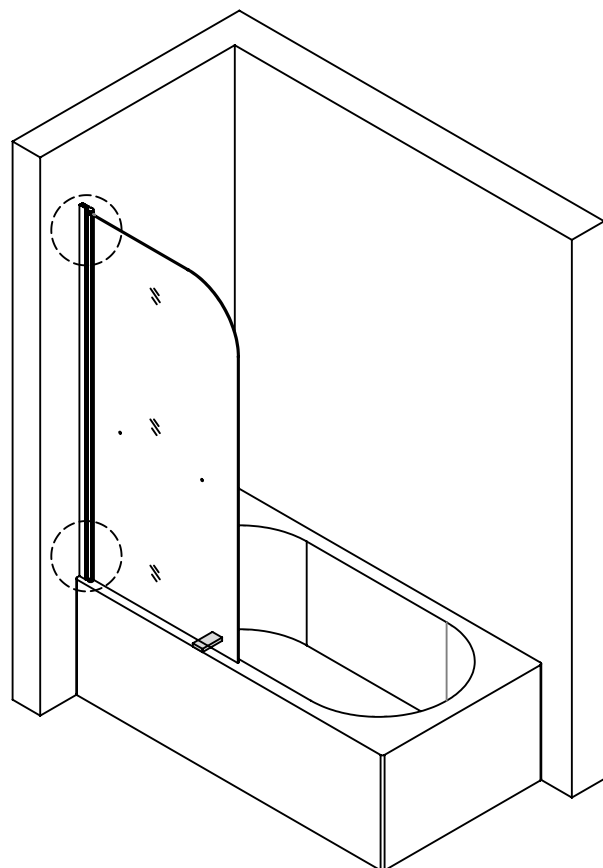
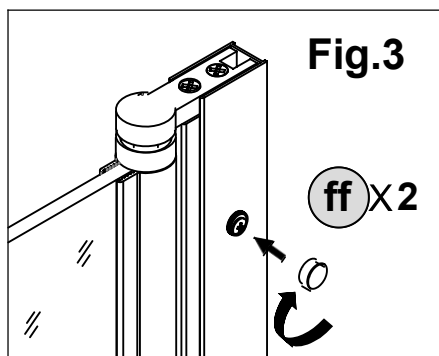
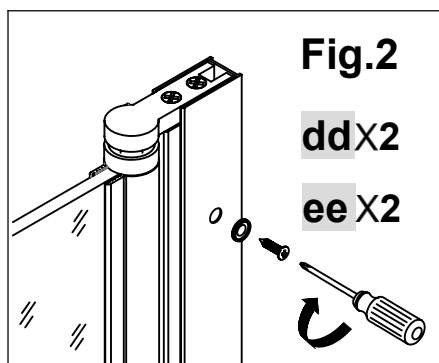
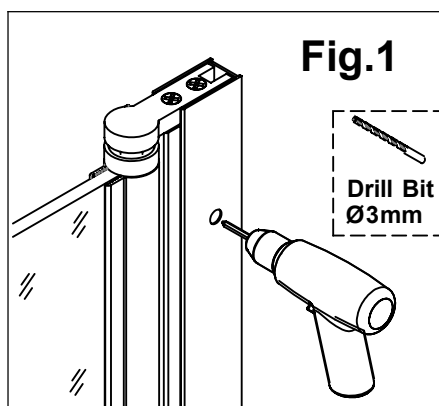
Lift the **Pivot Door Panel (E)** and engage it into the installed **Wall Channel (A)**. Place a wooden block under the bottom edge of the **Pivot Door Panel (E)** to support it during the next steps.



## 6 Secure Pivot Door Panel (E)

NOTE

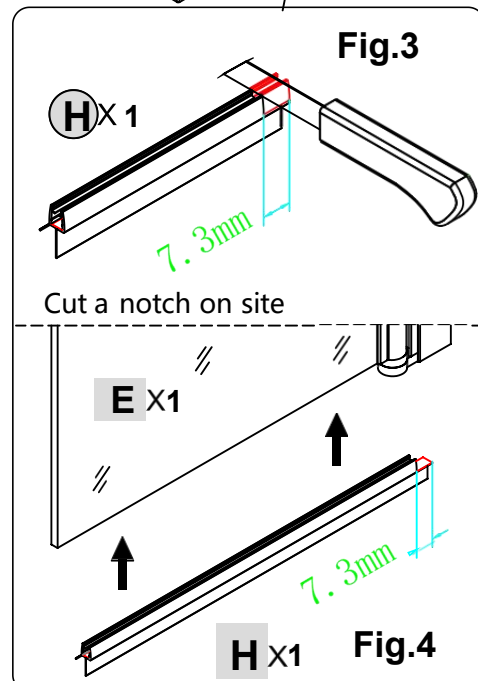
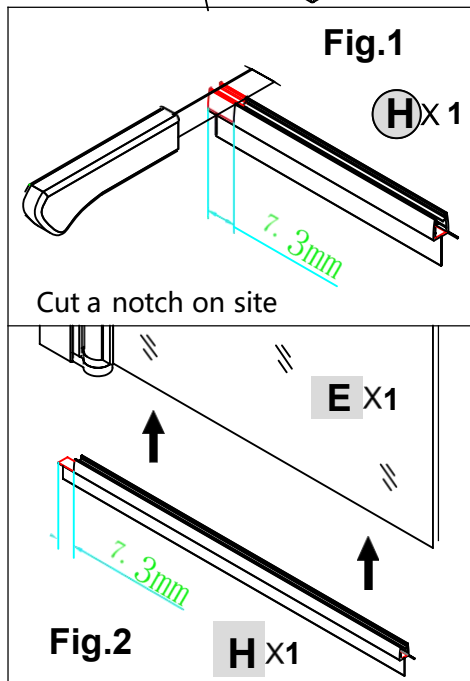
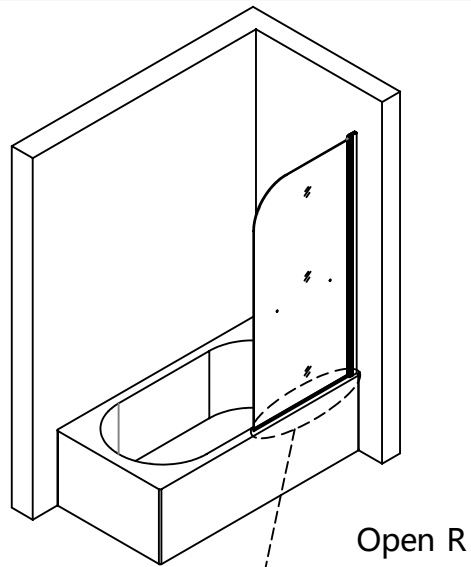
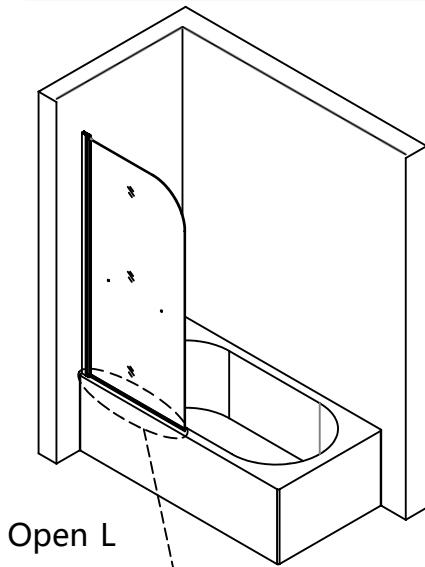
1. Using a drill, create  $\text{Ø}3\text{mm}$  pilot holes through the holes in the **Wall Channel (A)** into the **Pivot Door Panel (E)**.
2. Place the **threaded nuts (dd)** over the **ST4x12mm pan head self-tapping screws (ee)**. Use a screwdriver to drive the **screws (ee)** with **nuts (dd)** through the **Wall Channel (A)** and into the **Pivot Door Panel (E)**.
3. Screw the **cover caps (ff)** onto the **threaded nuts (dd)**.



# 7 Install Bottom Sweep Seal (H)

NOTE

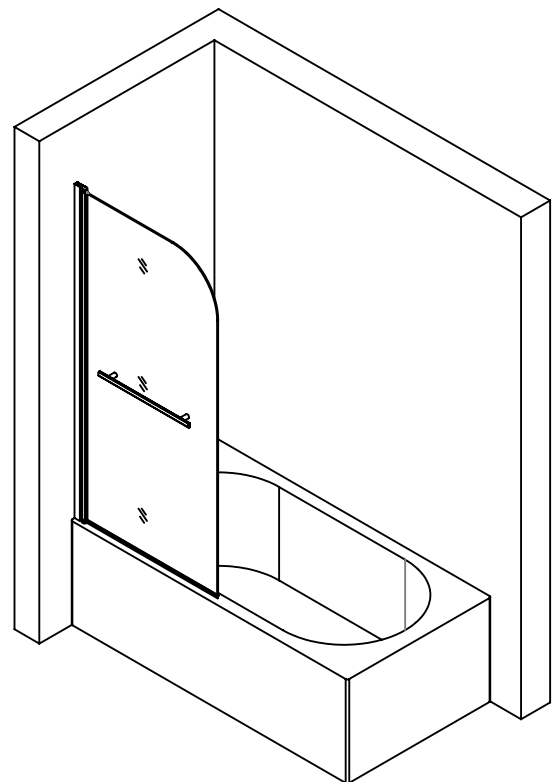
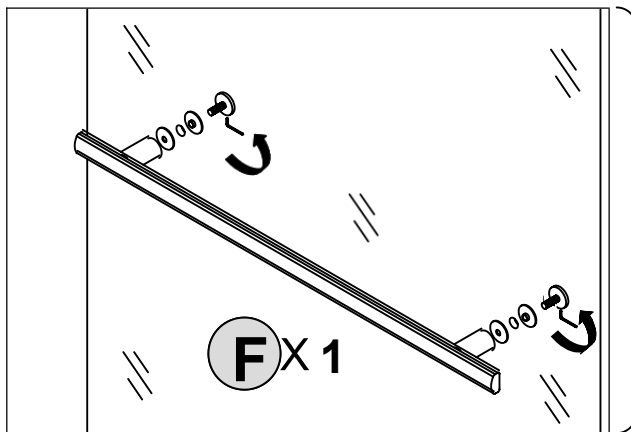
1. First, cut a 7.3mm (approx. 9/32") notch in the **Bottom Sweep Seal (H)** at the position that will be near the pivot point.
  2. Then, press the **Bottom Sweep Seal (H)** onto the bottom edge of the **Pivot Door Panel (E)**, fitting it around the pivot side.
- (Note: If the **Pivot Door Panel (E)** is installed on the right side, refer to Fig.3 and Fig.4 for the notch location on the **Sweep Seal (H)**).



**8** Install **Handle (F)**

**NOTE**

Install the **Handle (F)** onto the **Pivot Door Panel (E)**. Ensure you use all the provided plastic washers between the handle and the glass to protect the glass.



**9** SEALING

**NOTE** The surfaces need to be clean and free of debris before applying silicone.

**NOTE** Make sure the shower door is tightly closed and opens smoothly. Apply high-quality silicone sealant along the bottom of the fixed glass and the bottom of the lower water barrier.

**!** Allow 24 hours for the silicone to cure before using the shower.



**!** Apply Silicone Sealant, (not supplied).

**Apply silicone to the wall position on the outside of the wall material.**

