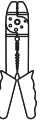
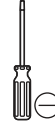
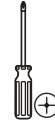




by Hukoro

TOOLS REQUIRED



ASSEMBLY INSTRUCTIONS



CAUTION

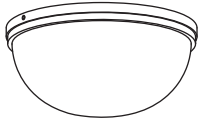
- Inspect the wire insulation for any cuts, abrasions or exposed copper that may have resulted during shipping. If there is a defect in the wire, do not attempt installation.
- Before starting installation of this fixture or removal of a previous fixture, disconnect the power by turning off the circuit breaker or by removing the fuse at the fuse box.



If you need further assistance, please contact us by Email: customersupport@superiordecorinc.com

*** PARTS SHOWN MAY DIFFER SLIGHTLY PER LIGHT FIXTURE**

HARDWARE INCLUDED



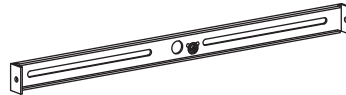
Fixture



Screws



Mounting Screws

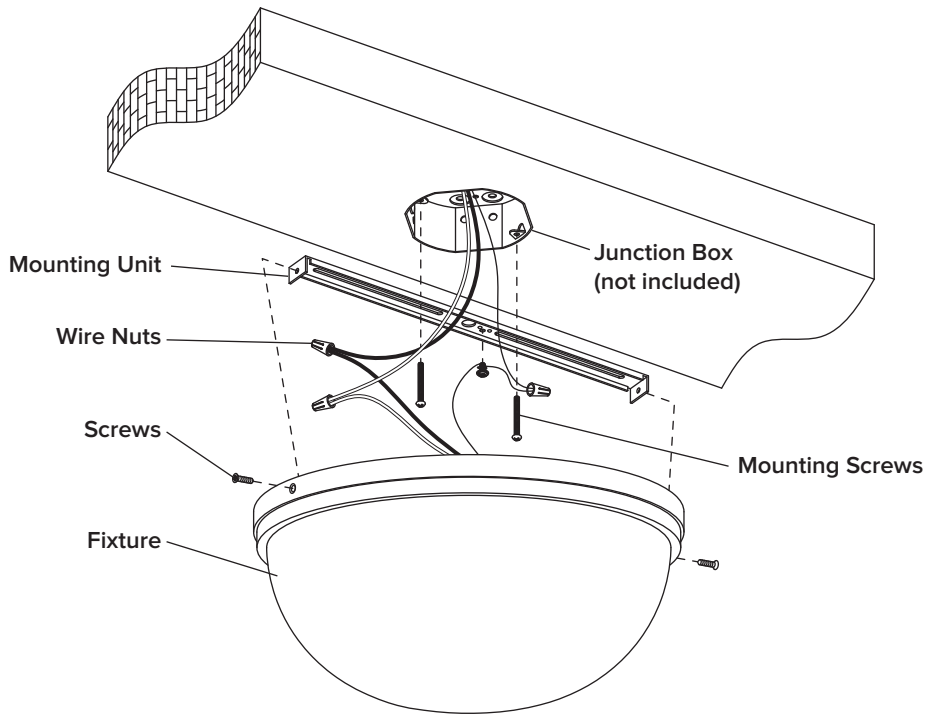


Mounting Unit



Wire Nuts

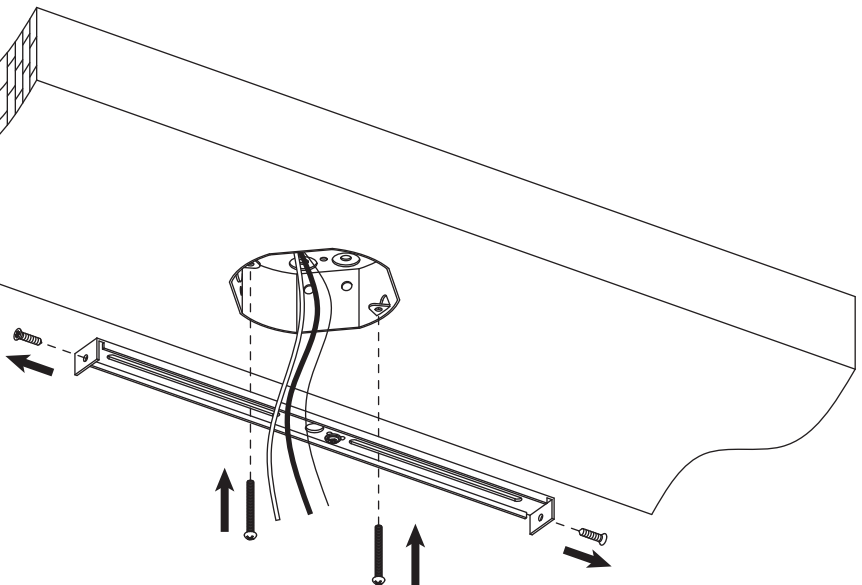
EXPLODED PARTS



INSTALLATION

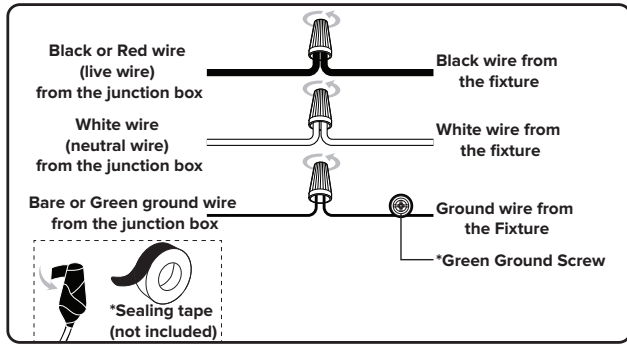
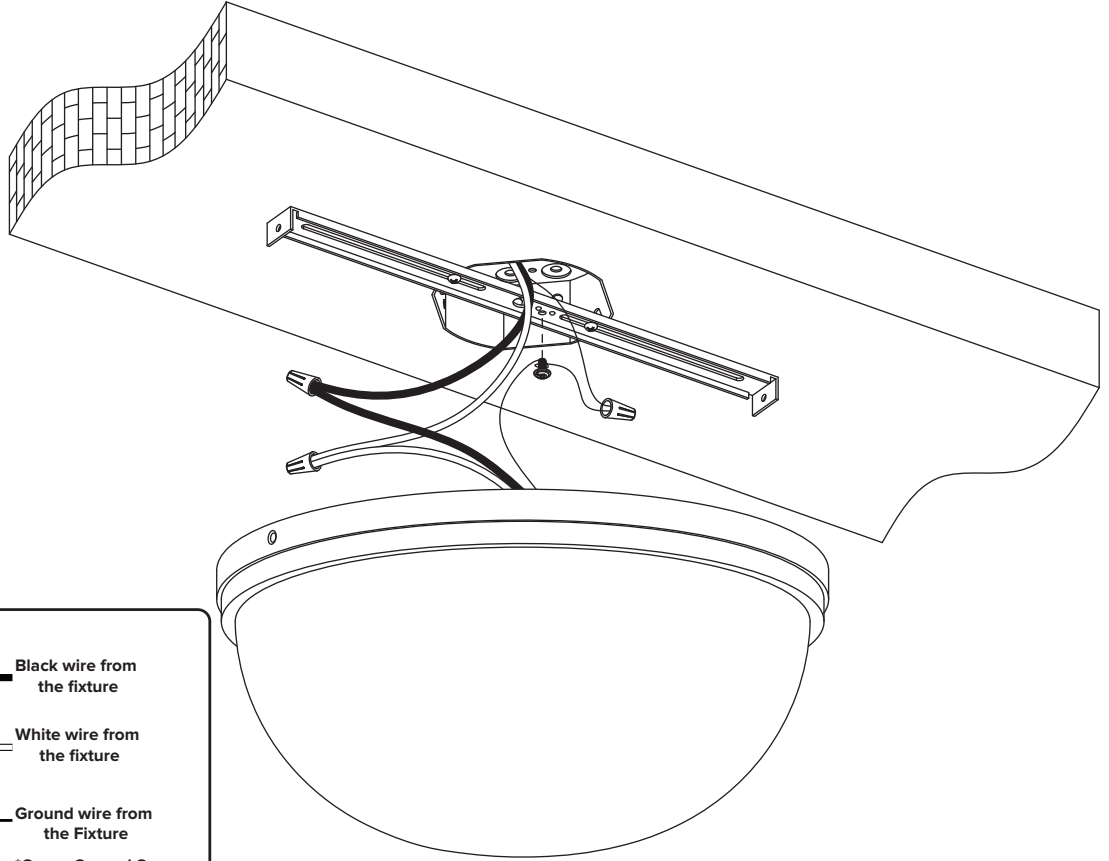
STEP 1

Unscrew the **screws** from the **mounting unit**.
Use the **mounting screws** to attach the **mounting unit** to the junction box (not included).



STEP 2

Make the electrical connection from the junction box (not included) to the **fixture**.
Connect the ground wire to the **mounting unit** using the preinstalled green ground screw.
Next, connect the live wire, neutral wire and ground wires with the supplied **wire nuts**.
Secure with electrical tape.



STEP 3

Attach the **fixture** to the **mounting unit** through screw holes as shown, and secure it with **screws**.

