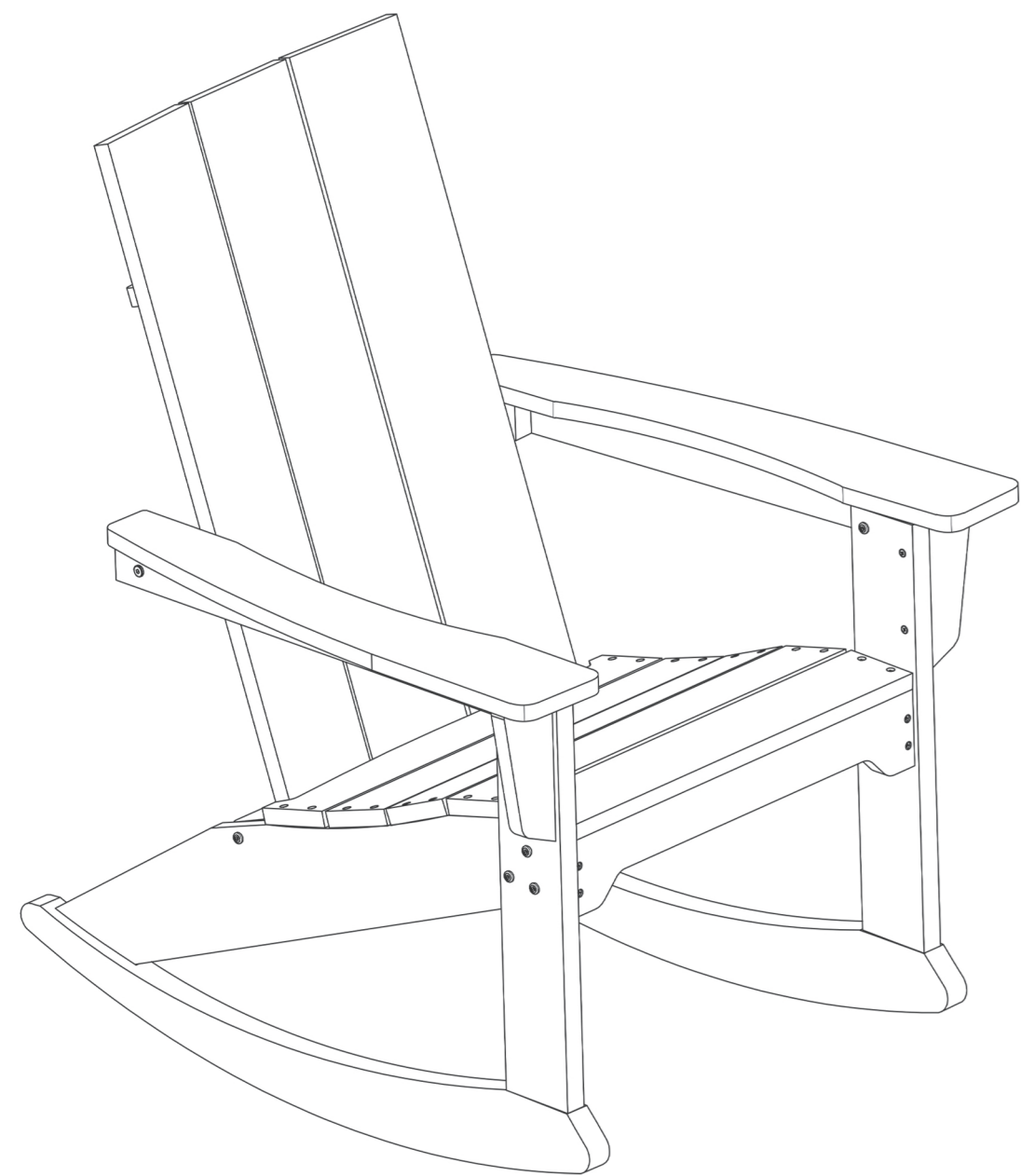


Modern Rocking Chair

Assembly Instructions

A041-015-001



email: poly@homeselecting.com

Important -Please read these instructions fully before starting assembly

HASSLE-FREE WARRANTY

We stand behind the quality of our products. If you have any questions, please send an email.



350 LBS CAPACITY



1 PERSON ASSEMBLY



AROUND 25 MIN ASSEMBLY



If you need help or have damaged or missing parts, please email: poly@homeselecting.com

Components

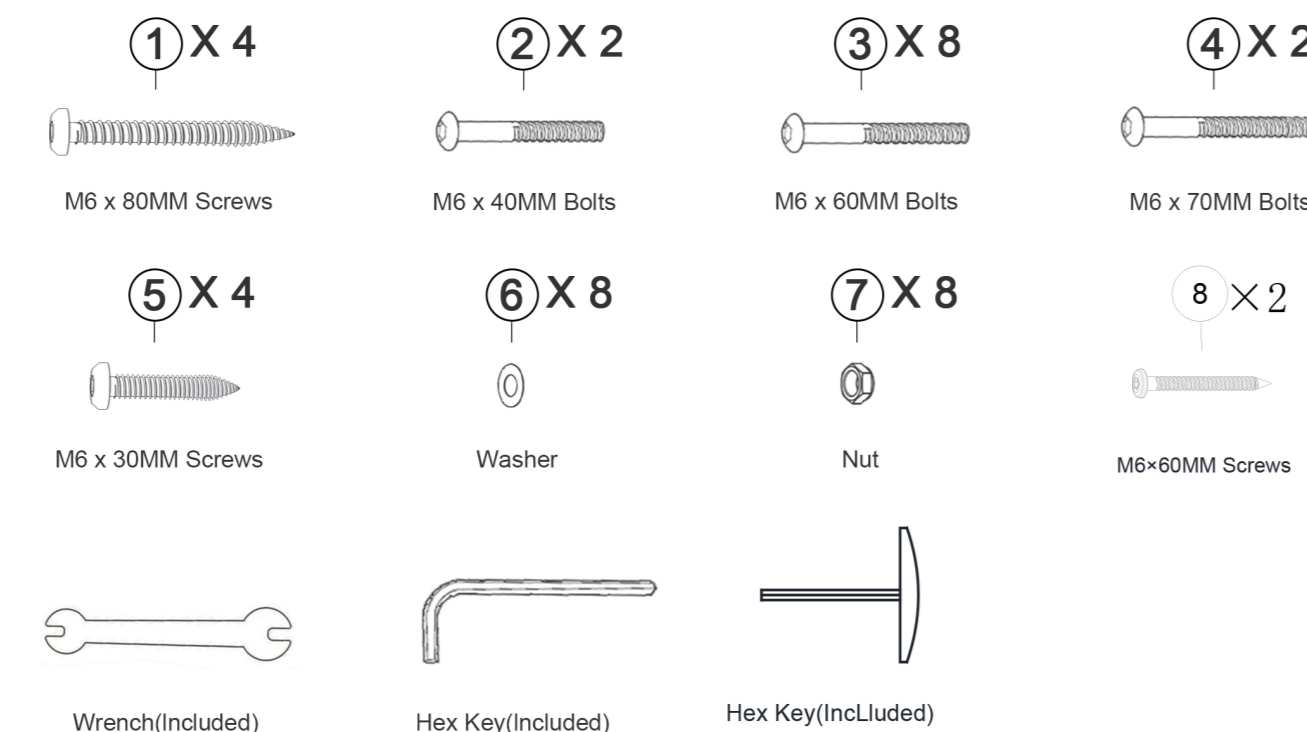
Please check you have all the components listed below.

Note: The illustration of the product shows the exact position of each part. Check when assembling.

#	Description	Quantity
A	Seat Frame	1
B	Right Leg	1
C	Left Leg	1
D	Right Arm	1
E	Left Arm	1
F	Backrest	1
G	Right turn foot	1
H	Left turn foot	1
k	Rear foot connection	1

Hardware & Tools

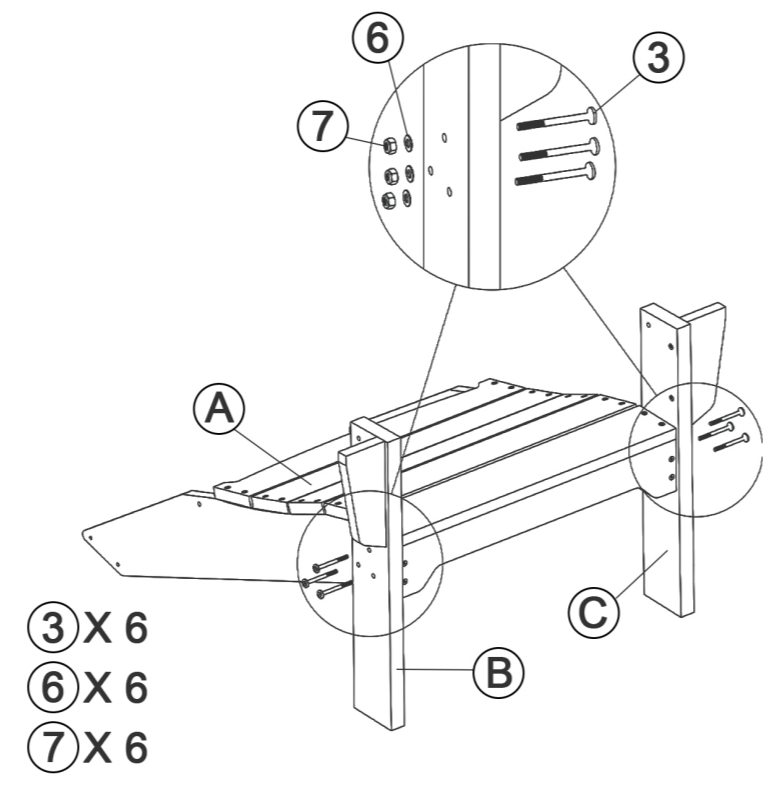
Note: The quantities below are the correct amount to complete the assembly. In some cases more fittings may be supplied than required.



If you need help or have damaged or missing parts, please email: poly@homeselecting.com

Assembly Instructions

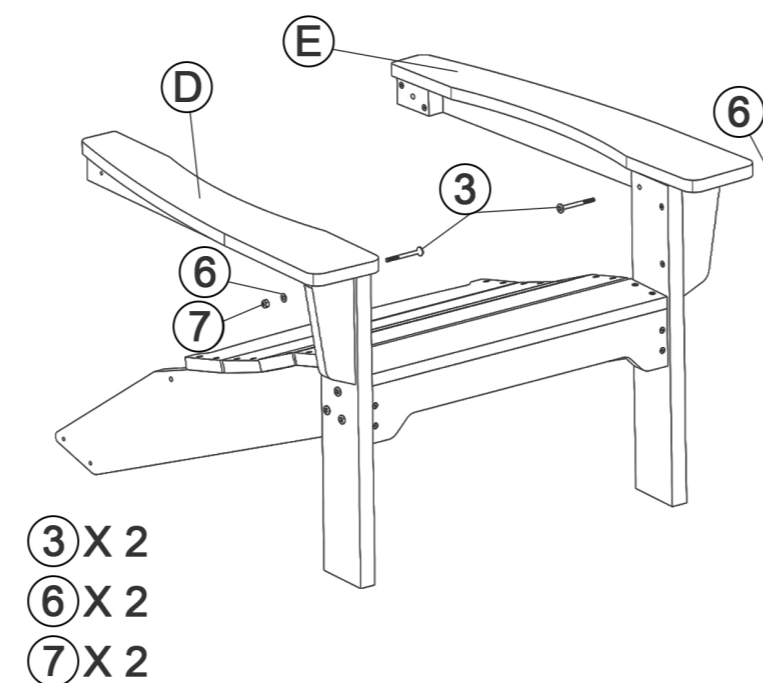
Caution: Please do not over-tighten bolts and screws during assembly.



STEP 1

● Attach "Chair Legs (B/C)" to "Seat Frame (A)" - Using "3 M6 x 60MM Bolts" with "6 Washer" and "7 Nut", tighten with hex key and wrench.

3 X 6
6 X 6
7 X 6



STEP 2

● Attach "Chair Arms (D/E)" to "Chair Legs (B/C)" - Using "3 M6 x 60MM Bolts" with "6 Washer" and "7 Nut", tighten with hex key and wrench.

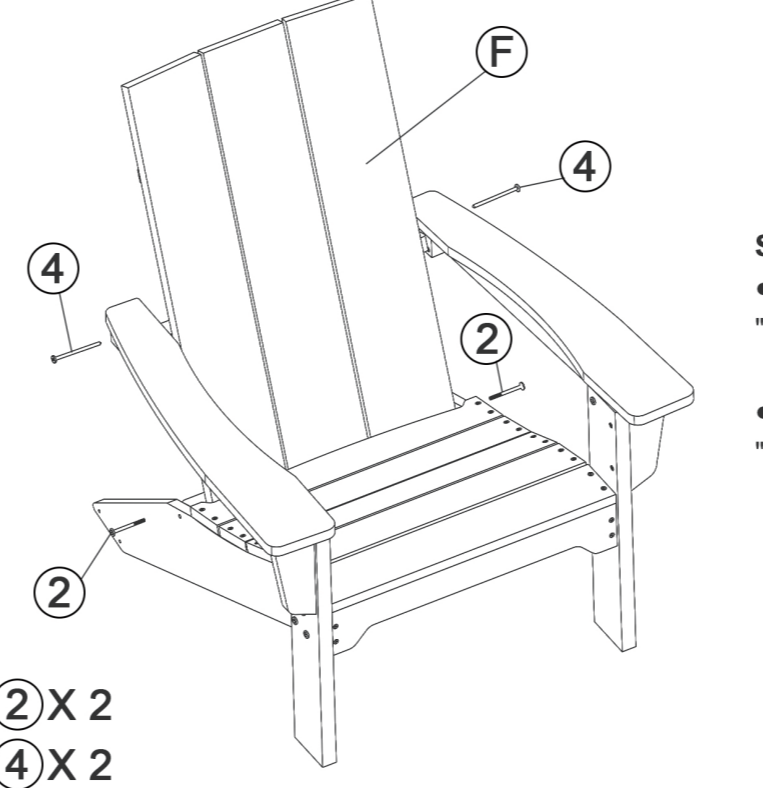
3 X 2
6 X 2
7 X 2



If you need help or have damaged or missing parts, please email: poly@homeselecting.com

Assembly Instructions

Caution: Please do not over-tighten bolts and screws during assembly.

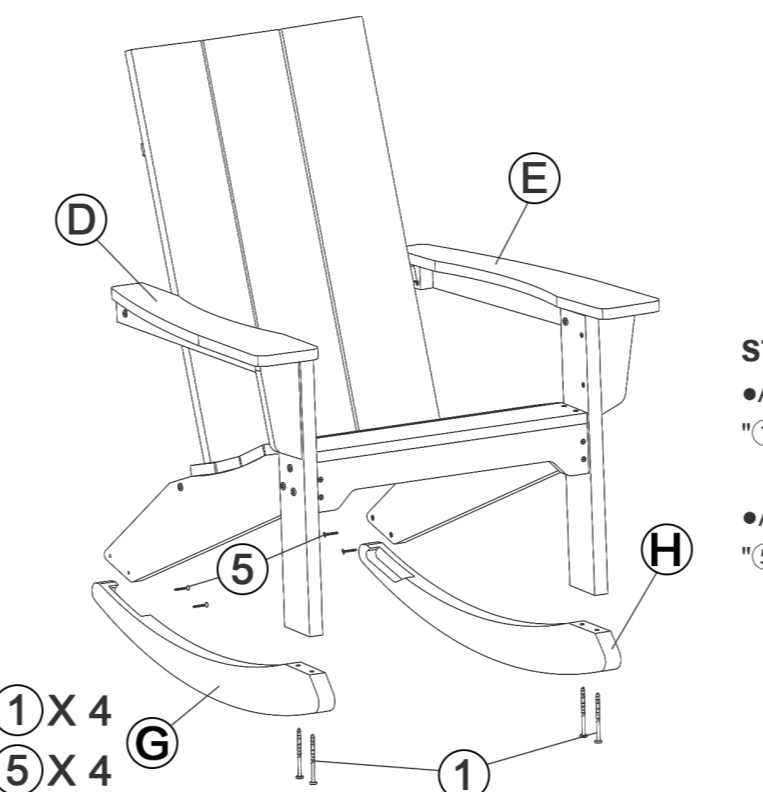


STEP 3

● Attach "Backrest (F)" to "Chair Arm (D/E)" - Using "4 M6 x 70MM Bolts", tighten with hex key.

● Attach "Backrest (F)" to "Seat Frame (A)" - Using "2 M6 x 40MM Bolts", tighten with hex key.

2 X 2
4 X 2



STEP 4

● Attach "Runners (G/H)" to "Chair Legs (B/C)" - Using "1 M6 x 80MM Screws", tighten with hex key.

● Attach "Runners (G/H)" to "Seat Frame (A)" - Using "5 M6 x 30MM Screws", tighten with screwdriver.

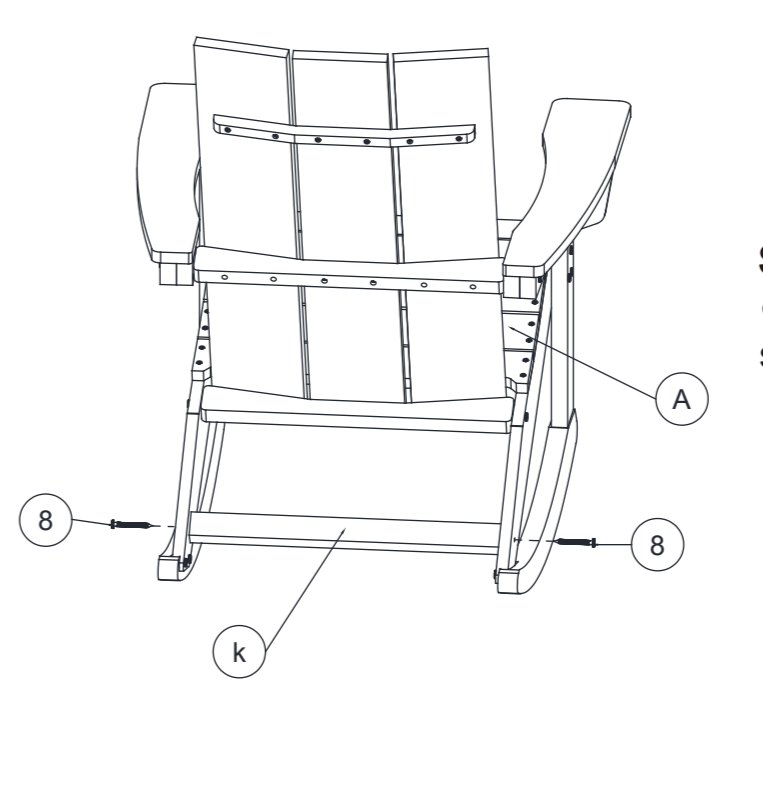
1 X 4
5 X 4



If you need help or have damaged or missing parts, please email: poly@homeselecting.com

Assembly Instructions

Caution: Please do not over-tighten bolts and screws during assembly.



8 X 2

STEP 5

● Assemble part (k) with part B using screw 8 M6*60MM.



If you need help or have damaged or missing parts, please email: poly@homeselecting.com

Warnings

Important -Please read these instructions fully before starting assembly

Check you have all the components and tools listed on the page 2.

Remove all fittings from the plastic bags and separate them into their groups.

Keep children and animals away from the work area, small parts may cause choking if swallowed.

Make sure you have enough space to layout the parts before starting.

Assemble on a soft level surface to avoid damaging the unit or your floor.

Do not stand or put weight on the product, this could cause damage.

Assemble the item as close to its final position (in the same area) as possible.

Do not place furniture directly in front of radiators, fires, or any other source of heat.



The assembly will be easier with 2 people while 1 person could also do the job.



Refer to the LISTING page for specific installation videos.

Cleaning & Maintenance

● Clean the product with a solution of mild soap and water. Dip a soft cloth or sponge into the solution and wipe down the entire surface.

● After cleaning, thoroughly rinse the furniture with water to remove any remaining soap residue.

● When not in use, cover the product with a protective cover to keep it clean and prolong its lifespan.