

# Majestic - Single Handle High ARC Pull-down Kitchen Faucet



- \* 7-13/16" High and 9-1/16" Long 360° Swing Spout, Zinc Handle
- \* Includes Zinc Plate For Single or 3 Holes Installation
- \* Two Function Pull-down Spray Head
- \* 45° Cartridge Position
- \* Copper Waterway Construction with 1/2" -14 NPSM Connection
- \* Premium Grade Ceramic Cartridge (Type Q)
- \* 60" Quick Connect Nylon Flexible Hose
- \* Flow Rate: 1.8GPM @ 60PSI
- \* 100% Pressure System Tested
- \* Lifetime Limited Warranty; 5 year warranty from date of purchase for Commercial users.

Project / Job Name	
Architect / Engineer	
Contractor	
Model	
Quantity	

**Model No. :**



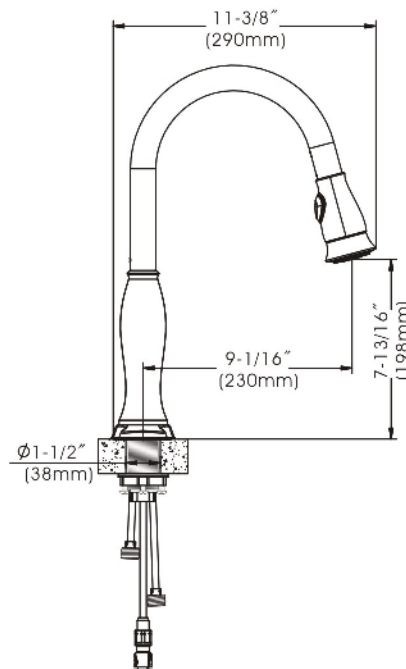
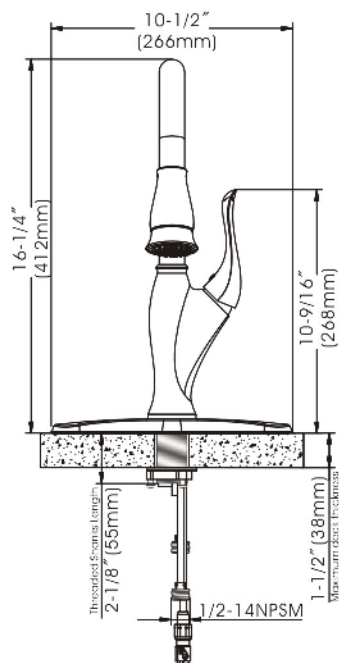
192-6465 (CH)  
 (Shown Model)



192-6466 (BN *Spotless PVD*)



192-6467 (ORB)



- Product Compliance:**
- ASME A112.18.1 / CSA B125.1
  - NSF 61 - Section 9
  - NSF 372 (Low Lead Content)
  - ANSI A117.1 (ADA)

## Majestic - Single Handle High ARC Pull-down Kitchen Faucet



- \* 7-13/16" High and 9-1/16" Long 360° Swing Spout, Zinc Handle
- \* Includes Zinc Plate For Single or 3 Holes Installation
- \* Two Function Pull-down Spray Head
- \* 45° Cartridge Position
- \* Copper Waterway Construction with 1/2" -14 NPSM Connection
- \* Premium Grade Ceramic Cartridge (Type Q)
- \* 60" Quick Connect Nylon Flexible Hose
- \* Flow Rate: 1.8GPM @ 60PSI
- \* 100% Pressure System Tested
- \* Lifetime Limited Warranty; 5 year warranty from date of purchase for Commercial users.

Project / Job Name	
Architect / Engineer	
Contractor	
Model	
Quantity	

### Model No. :



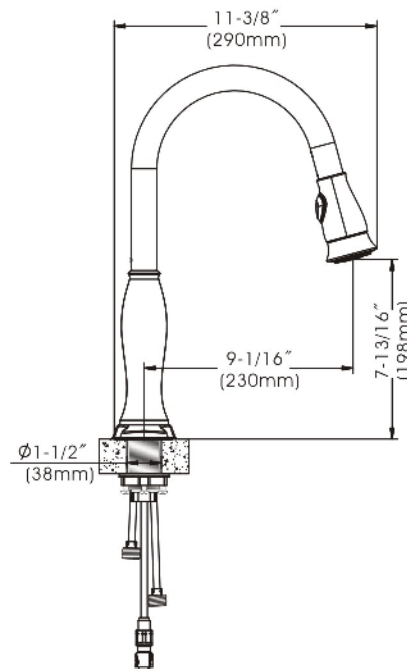
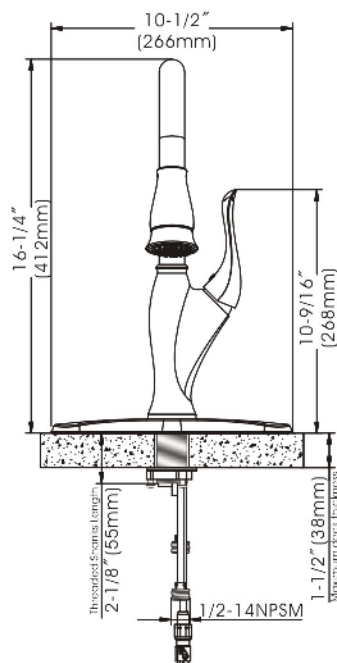
192-6465 (CH)



192-6466 (BN *Spotless PVD*)  
 (Shown Model)



192-6467 (ORB)



#### Cartridge (Type Q)



#### Product Compliance:

- ASME A112.18.1 / CSA B125.1
- NSF 61 - Section 9
- NSF 372 (Low Lead Content)
- ANSI A117.1 (ADA)

## Majestic - Single Handle High ARC Pull-down Kitchen Faucet



- \* 7-13/16" High and 9-1/16" Long 360° Swing Spout, Zinc Handle
- \* Includes Zinc Plate For Single or 3 Holes Installation
- \* Two Function Pull-down Spray Head
- \* 45° Cartridge Position
- \* Copper Waterway Construction with 1/2" -14 NPSM Connection
- \* Premium Grade Ceramic Cartridge (Type Q)
- \* 60" Quick Connect Nylon Flexible Hose
- \* Flow Rate: 1.8GPM @ 60PSI
- \* 100% Pressure System Tested
- \* Lifetime Limited Warranty; 5 year warranty from date of purchase for Commercial users.

Project / Job Name	
Architect / Engineer	
Contractor	
Model	
Quantity	

### Model No. :



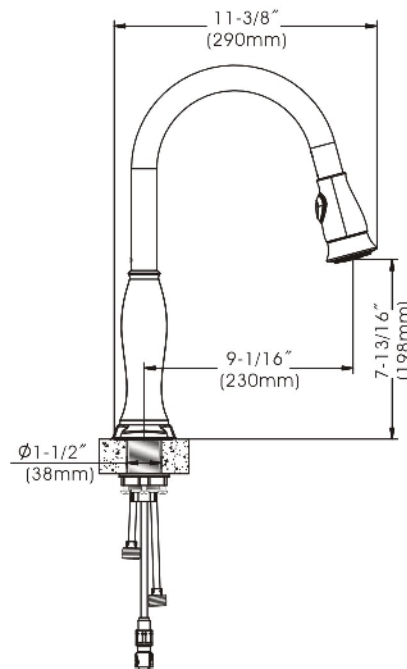
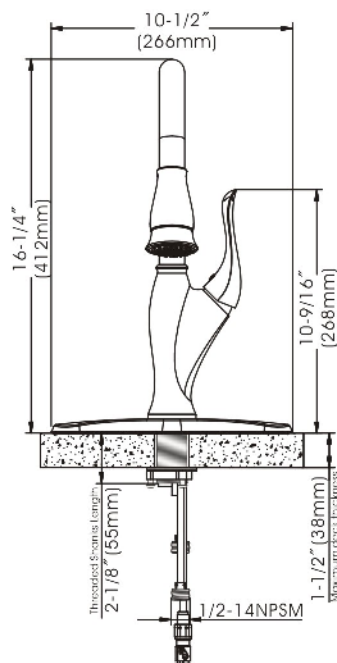
192-6465 (CH)



192-6466 (BN *Spotless PVD*)



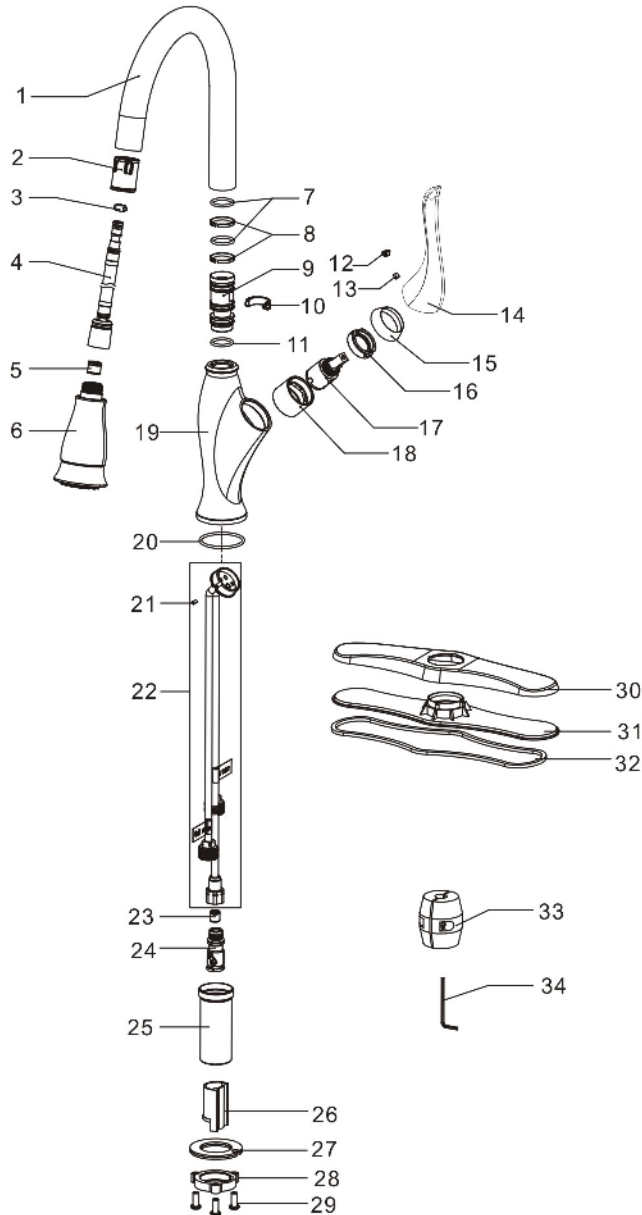
192-6467 (ORB)  
 (Shown Model)



#### Product Compliance:

- ASME A112.18.1 / CSA B125.1
- NSF 61 - Section 9
- NSF 372 (Low Lead Content)
- ANSI A117.1 (ADA)

# Majestic - Single Handle High ARC Pull-down Kitchen Faucet



## Model No. :

192-6465 (Polished Chrome)

192-6466 (Brushed Nickel Spotless PVD)

192-6467 (Oil-Rubbed Bronze)

No.	Part Name	Material
1	Spout	Stainless Steel
2	Hose Guide	Plastic
3	Ring	Rubber
4	Pull-out Hose	Nylon
5	Stop Valve	Plastic
6	Spray	Plastic
7	O-ring	Rubber
8	Ring	Rubber
9	Connector	Brass
10	Retainer	Plastic
11	O-ring	Rubber
12	Index	Plastic
13	Set Screw	Stainless Steel
14	Handle	Zinc
15	Trim Cap	Brass
16	Cartridge Locknut	Brass
17	Cartridge	Ceramic
18	Cartridge Base	Brass
19	Body	Zinc
20	O-ring	Rubber
21	Screw	Stainless Steel
22	Assembly	Brass
23	Stop Valve	Plastic
24	Quick Connect Assembly	Plastic
25	Shank	Stainless Steel
26	Protective Sleeve	Plastic
27	Clamp	Stainless Steel
28	Locknut	Zinc
29	Screw	Stainless Steel
30	Deck Plate	Stainless Steel
31	Under-plate	Sponge
32	Under-plate Seal	Sponge
33	Weight	Iron + Plastic
34	Allen Key	Steel

### Cartridge (Type Q)



Technical Support: [warranty@cmiproduct.com](mailto:warranty@cmiproduct.com)  
Hour of Operation: Mon - Fri 8:30 a.m - 5:00 p.m. EST