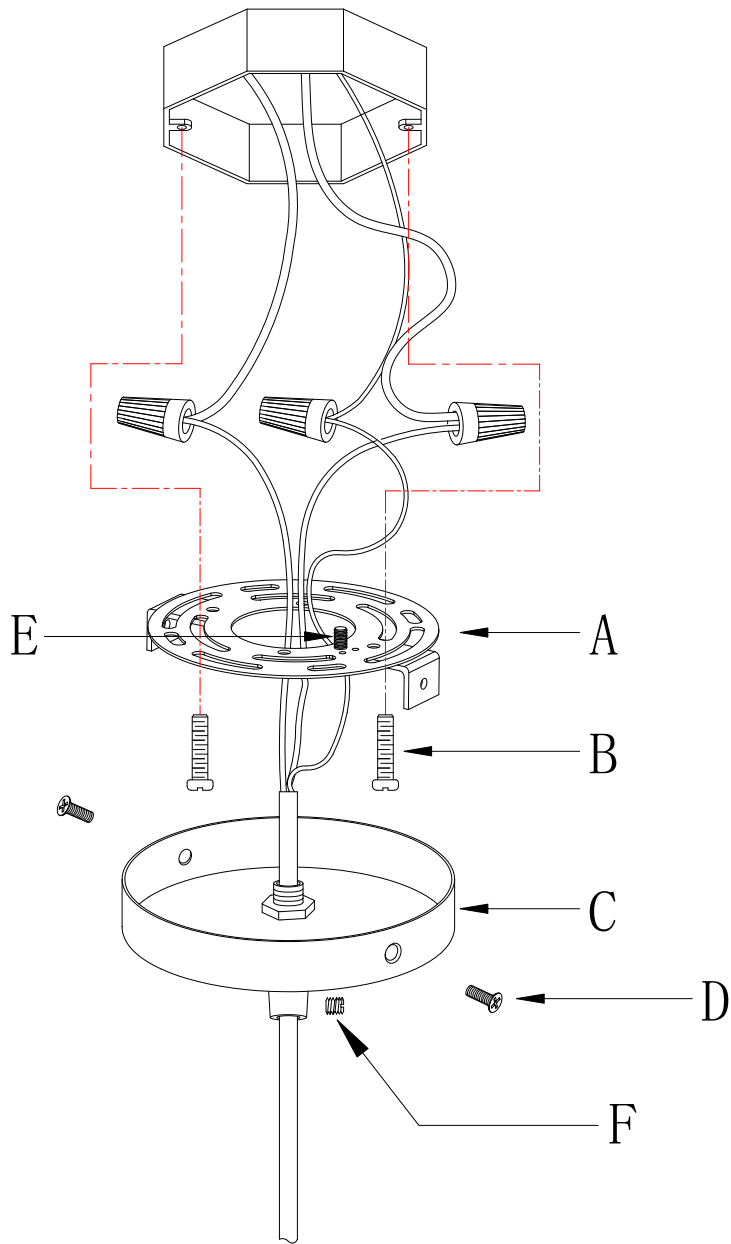


Fig.3



a. Hardware Bag:

- A. Mounting plate*1
- B. Outlet box Screw*2
- C. Canopy *1
- D. Screw*2
- E. Ground screw*1

