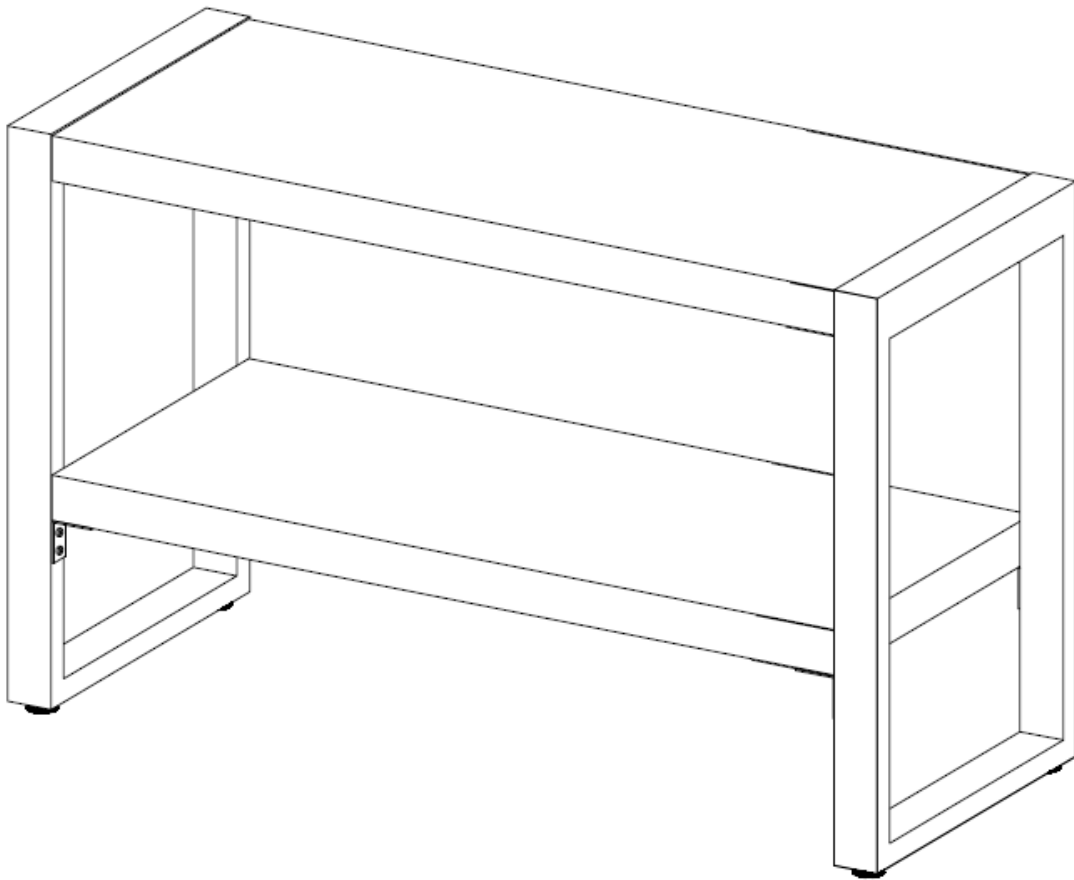
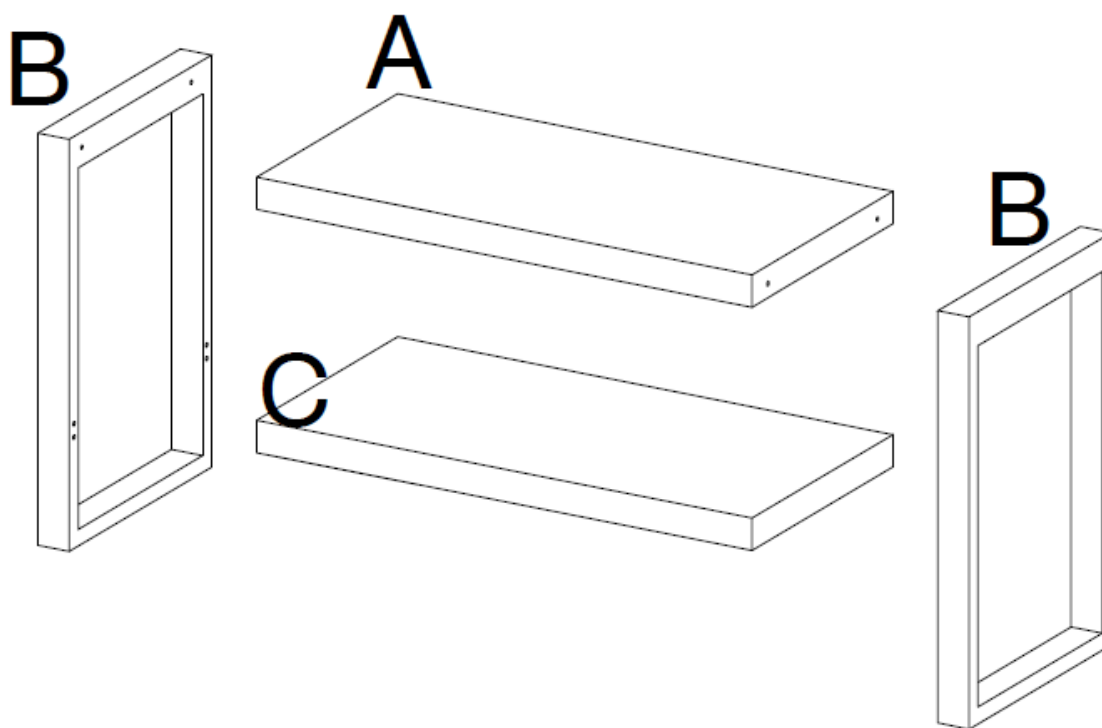

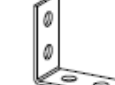






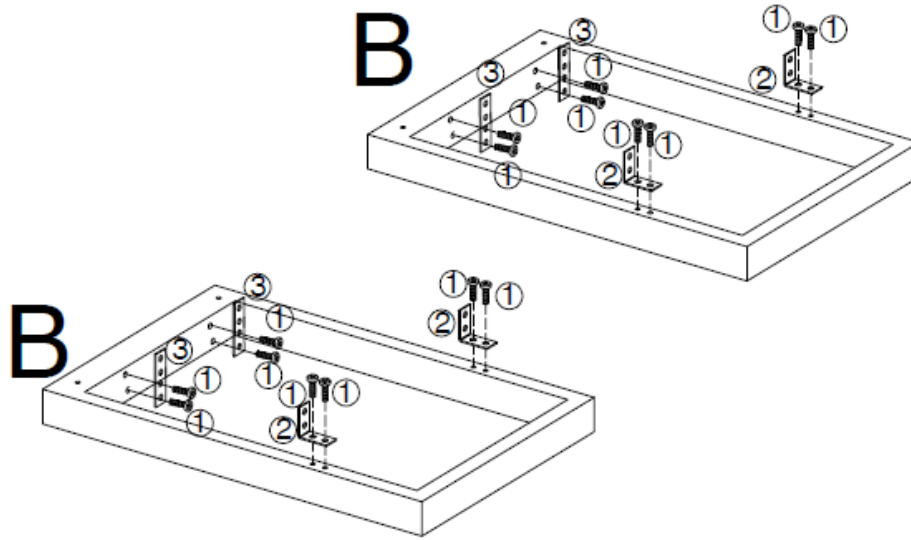
NAN-JH-1731-GG





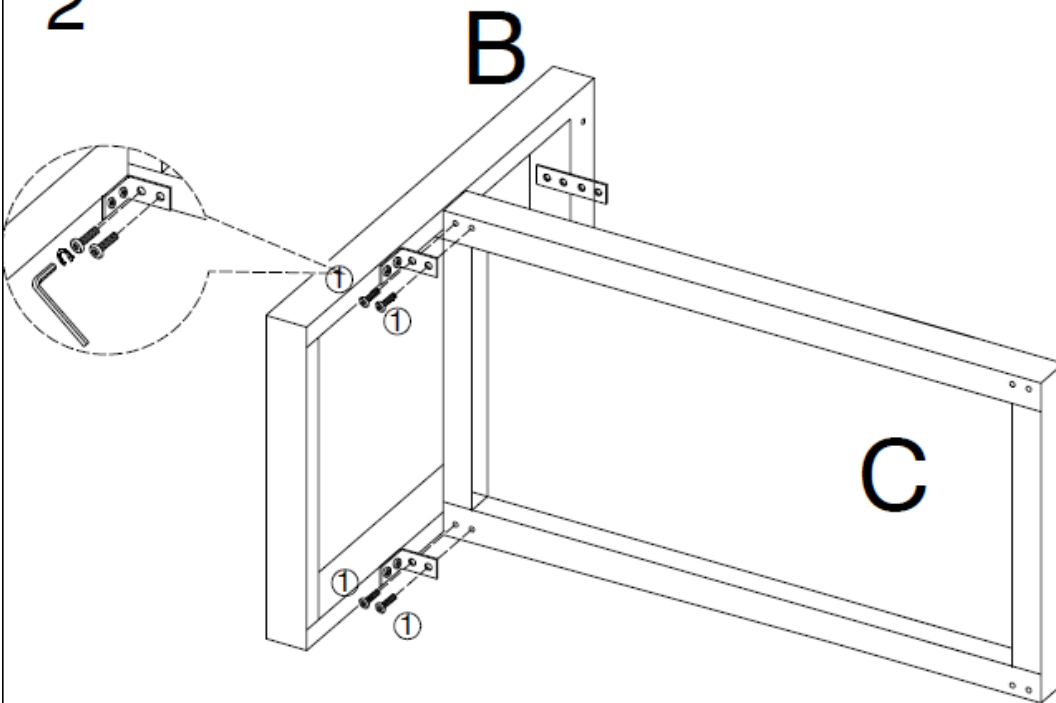
1		M6X12X32
2		X4
3		X4
4		M6X55X4
5		X4
6		X4

1



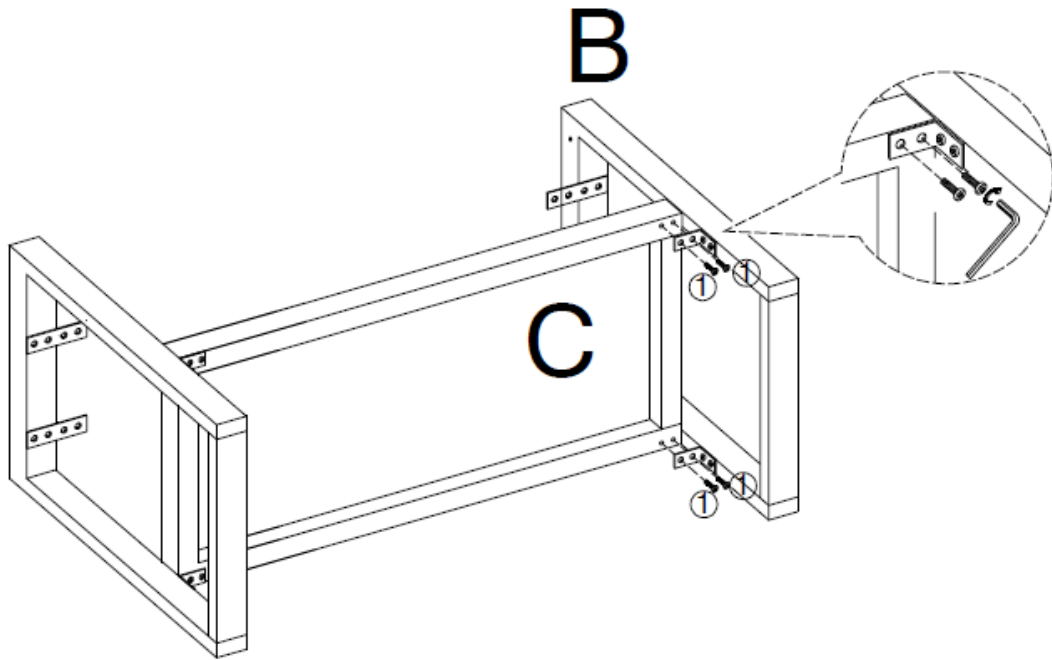
- ① X16
- ② X4
- ③ X4

2



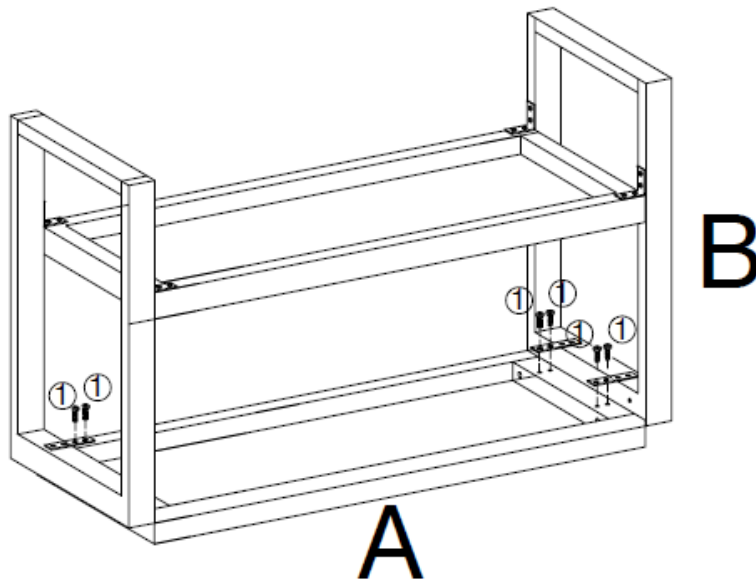
- ① X4

3



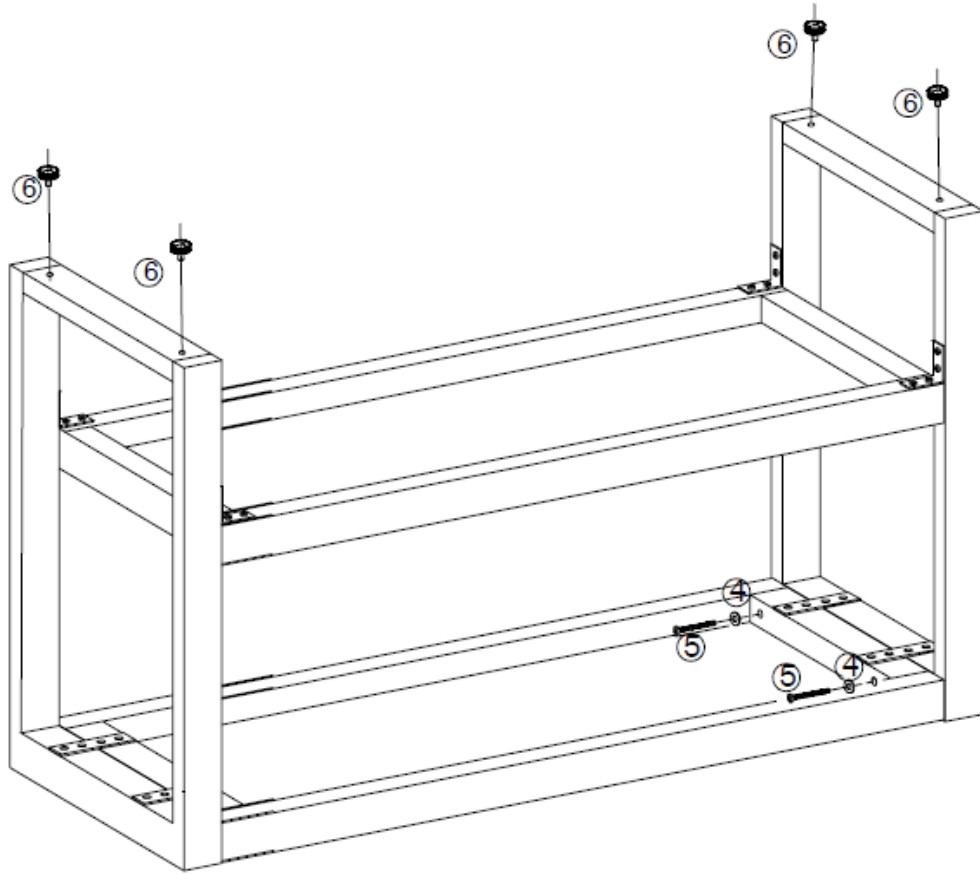
① X4

4



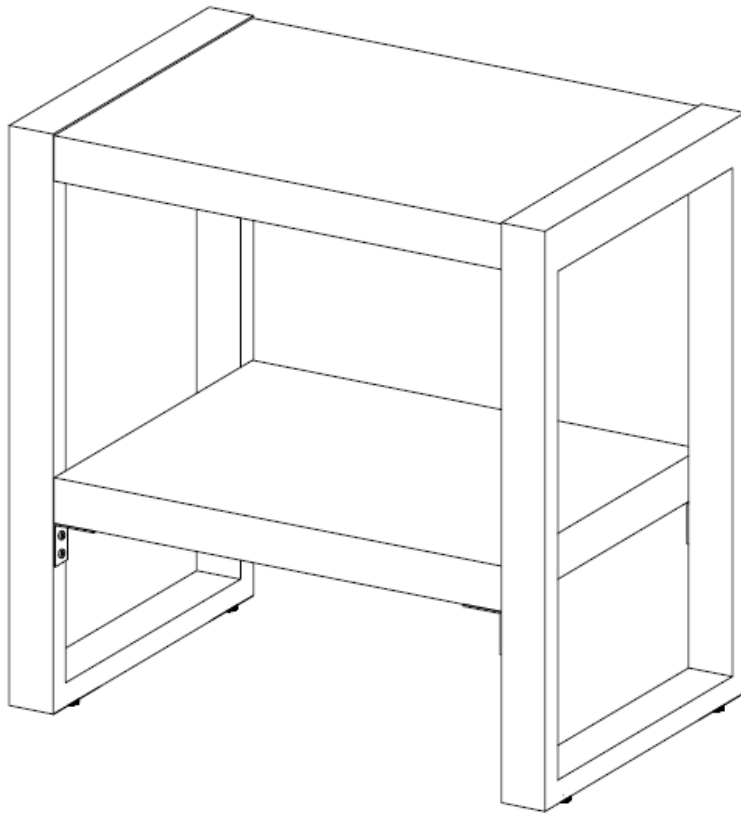
① X8

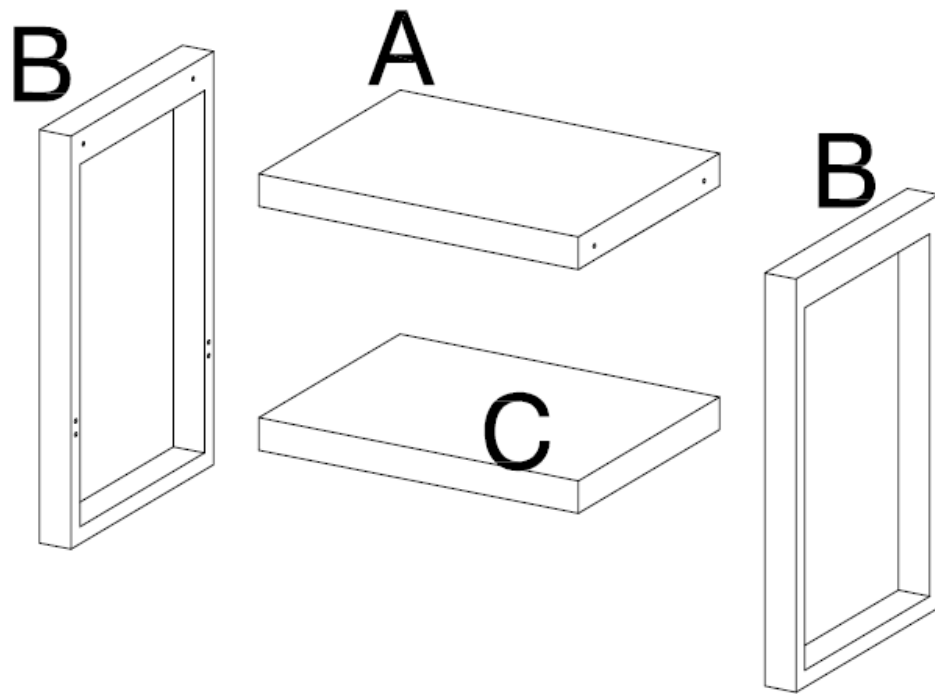
5









- ④ X4
- ⑤ X4
- ⑥ X4

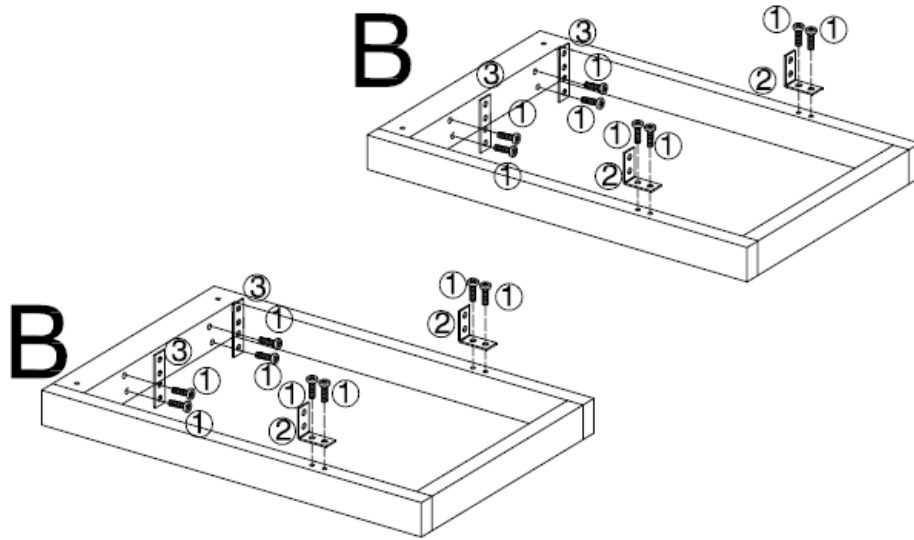
NAN-JH-1733-GG





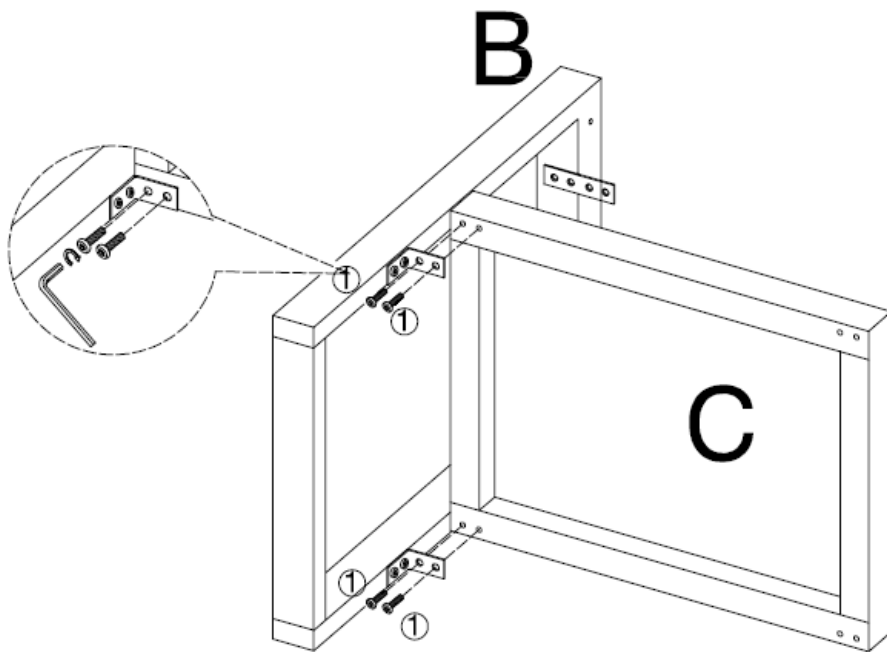
1		M6X12X32
2		X4
3		X4
4		M6X55X4
5		X4
6		X4

1



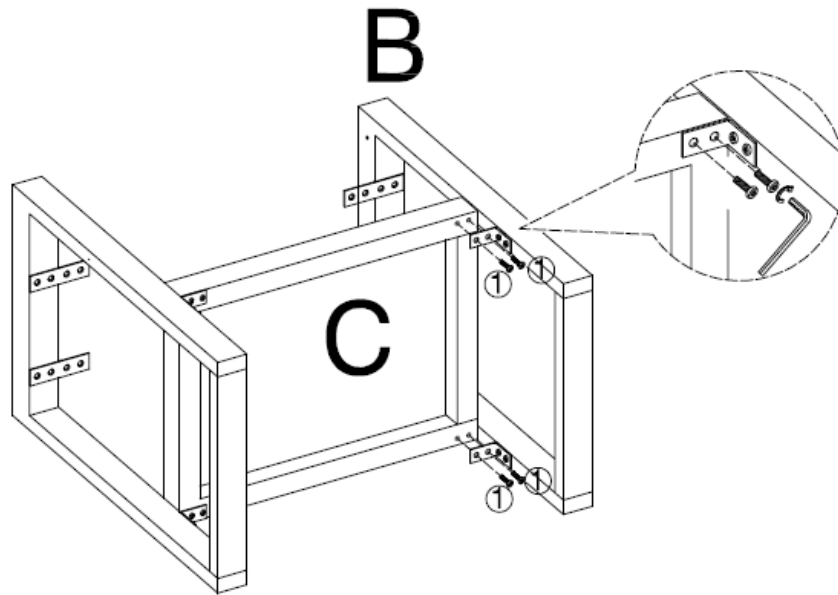
- ① X16
- ② X4
- ③ X4

2



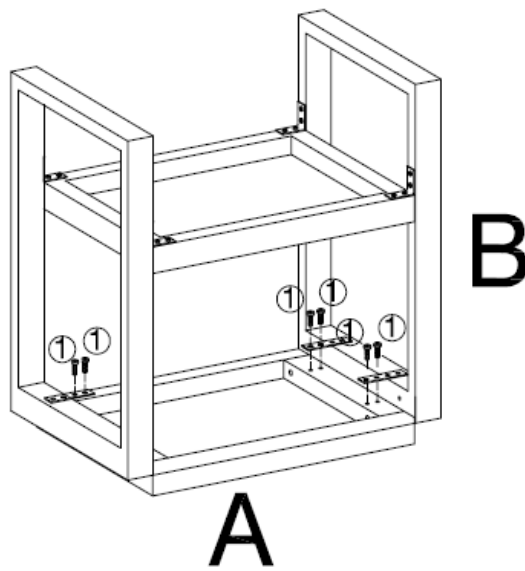
- ① X4

3



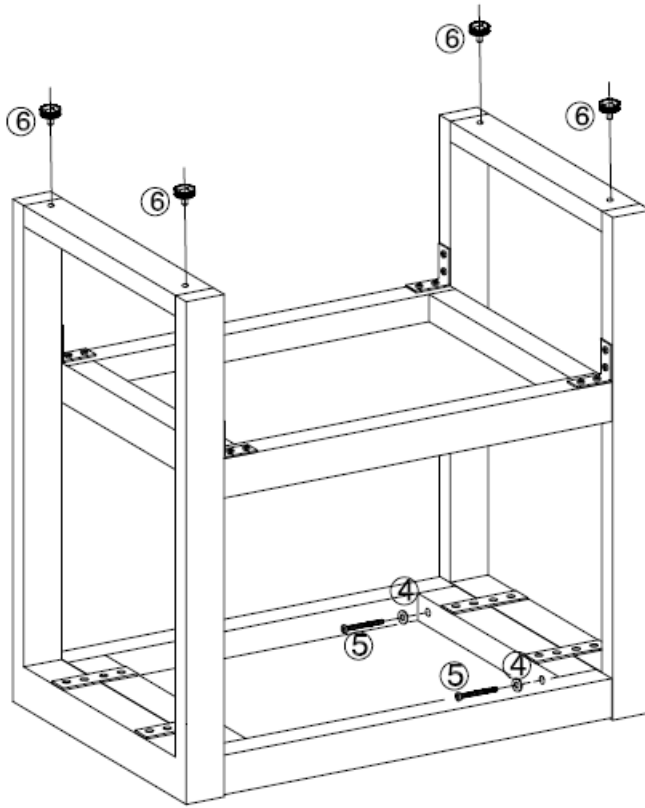
① X4

4



① X8

5



- ④ X4
- ⑤ X4
- ⑥ X4