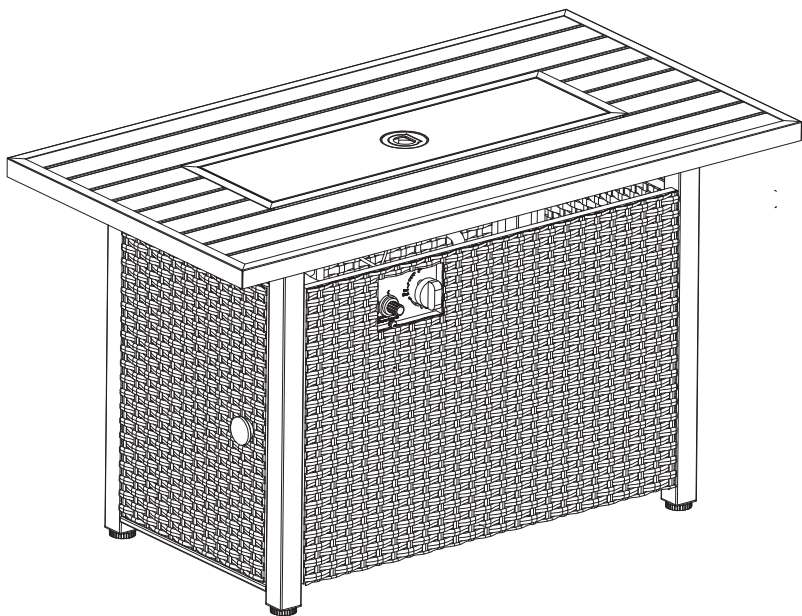




— ENJOY LIFE · SHARE HAPPINESS —

## INSTRUCTION MANUAL



**43" Gas Fire Pit Table**

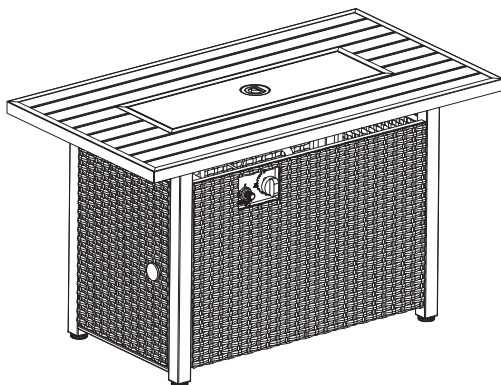
FBW001

Thanks for purchasing and trusting NUUGARDEN with your home decorating plans. This product is a piece of furniture designed and made by NUUGARDEN Corp.

We are committed to R&D and innovation and creating the most exquisite and diverse outdoor series.

After unpacking and before every use, check whether the item shows any damage. In addition, check that you have all parts and hardware before assembly. If there is any damage, please do not use it and call customer service at (800) 257-7108 or email [service@nuugarden.com](mailto:service@nuugarden.com). If you do not have all the parts lists, have your dealer contact us and we will send them to you immediately.

This furniture is for outdoor use only. Please take time to read and follow the instructions below. Then, use this item as described in this operating manual. We accept no liability for damage caused by improper use.



**! DANGER**

FLAMMABLE GAS UNDER PRESSURE. LEAKING LP GAS MAY CAUSE A FIRE OR EXPLOSION IF IGNITED CAUSING SERIOUS BODILY INJURY OR DEATH. CONTACT LP GAS SUPPLIER FOR REPAIRS, OR DISPOSAL OF THIS CYLINDER OR UNUSED LP GAS.

**! WARNING**

FOR OUTDOOR USE ONLY. DO NOT USE OR STORE CYLINDER IN A BUILDING, GARAGE OR ENCLOSED AREA.

**! WARNING**

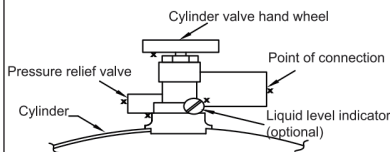
- Know the odor of LP gas. If you hear, see, or smell leaking LP gas, immediately get everyone away from the cylinder and call the Fire Department. Do not attempt repairs. Caution your LP-gas supplier to:
  - Be certain the cylinder is purged of trapped air before first filling.
  - Be certain not to overfill the cylinder.
  - Be certain the cylinder re-qualification date is checked.
- LP-gas is heavier than air and may settle in low places when
  - dissipating.
  - Contact with the liquid contents of the cylinder will cause freeze
  - burns to the skin.
  - Do not allow children to tamper or play with cylinders.
- When not connected for use, keep the cylinder valve turned off.
- Self-contained appliances shall be limited to a cylinder of 30 lb capacity or less.
- Do not use, store, or transport a cylinder where it would be exposed to high temperatures. A relief valve may open allowing a large amount of flammable gas to escape.
- When transporting, keep the cylinder secured in an upright position
  - while the cylinder valve is turned off.

**! WARNING**

California Proposition 65  
Combustion by-products produced when using this product contain chemicals known to the State of California to cause cancer, birth defects, and other reproductive harm.

**! WHEN CONNECTING FOR USE**

- Use only in compliance with applicable codes.
- Read and follow the manufacturer's instructions.
- Consult manual instructions concerning the cylinder connection provided with your appliance.
- Be sure the regulator vent is not pointing up.
- Turn off all valves on the appliance.
- Do not check for gas leaks with a match or open flame. Apply soapy water at areas marked "X". Open the cylinder valve. If it appears, close the valve and have the LP-gas service person make the needed repairs. Also, check appliance valves and connections to make sure they do not leak before lighting the appliance. Light appliance(s) following manual instructions.
- When the appliance is not in use keep the cylinder valve closed.



DO NOT REMOVE, DEFACE, OR OBLITERATE THIS LABEL EXCEPT AS AUTHORIZED BY ANSI/NFPA 58.  
DANGER: Do not store a spare LP cylinder under or near a barbecue grill, or other heat sources. NEVER fill an LP cylinder beyond 80% full a fire causing death or serious injury may occur.

Please keep this instruction manual for future reference.

**WARNING**  
READ INSTRUCTION MANUAL BEFORE ATTEMPTING ASSEMBLE OR OPERATE THIS PRODUCT.  
Keep the screws and parts out of reach of children.

**SAFETY INFORMATION**

Read the instruction before use. This appliance must be installed in accordance with such regulations as are enforced.

**DANGER:**

**FIRE OR EXPLOSION HAZARD**

If you smell gas:

- Shut off gas to the appliance.
  - Extinguish any open flame.
  - If odor continues, leave the area immediately.
- After leaving the area, call your gas supplier or fire department.

Failure to follow these instructions could result in fire or explosion, which could cause property damage, personal injury, or death.

**DANGER**

**CARBON MONOXIDE HAZARD**

This appliance can produce carbon monoxide which has no odor. Using it in an enclosed space can kill you.

Never use this appliance in an enclosed space such as a camper, tent, car or home.

**WARNING:**

Do not store or use gasoline, or other flammable vapors and liquids, in the vicinity of this or any other appliance. An LP-cylinder not connected for use shall not be stored in the vicinity of this or any other appliance.

**INSTALLER :** leave this manual with the appliance.

**CONSUMER:** Retain this manual for future reference.

**WARNING:** For Outdoor Use Only!

Installation and service must be performed by a qualified installer service agency, or the gas supplier.

**WARNING:**

Improper installation, adjustment, alteration, service or maintenance can cause property damage, personal injury or loss of life. Read this installation, operating, and maintenance instructions thoroughly before installing or servicing this equipment.

**WARNING:**

**FOR YOUR SAFETY**

If the information in this manual is not followed exactly, a fire or explosion may result causing property damage, personal injury or loss of life.

**WHAT TO DO IF YOU SMELL GAS:**

- Do not try lighting any appliance.
- Do not touch any electrical switch; do not use any phone in your building.
- Immediately call your gas supplier from a neighbor's phone.
- Follow the gas supplier's instructions.

If you cannot reach your gas supplier. Call the fire department.

Installation and service must be performed by a qualified installer, service agency or gas supplier. Save these instructions for future reference. If you are assembling this unit for someone else, give this manual to him or her to read and save for future reference.

**WARNING:**

You must provide propane gas and propane cylinder. Use a standard 20 lb. propane cylinder only.

Use this heater only with a propane vapor withdrawal supply system. See Chapter 5 of the Standard for Storage and Handling of Liquefied Petroleum Gas, ANS/NFPA 58. Your local library or fire department should have this book.

The pressure regulator and hose assembly supplied with the appliance must be used.

The installation must conform with local codes, or in absence of local codes, with National Fuel Gas Code, ANS1 Z223.1.

A dented, rusted, or damaged propane cylinder may be hazardous and should be checked by your cylinder supplier. Never use a propane cylinder with a damaged valve connection.

The LP-gas supply cylinder must be constructed and marked in accordance with the U.S. Department of Transportation(D.O.T) Specifications for LP-Gas Cylinders, or the standard for Cylinders, Spheres and Tubes for Transportation of Dangerous Good and Commission, CAN/CSA-B339, as applicable.

The LP-gas supply cylinder must be provided with a cylinder connection device compatible with the connection for the appliance.

The cylinder used must include a collar to protect the cylinder valve.

The LP-gas supply cylinder must be provided with a listed overfill protection device (OPD).

Do not store a spare LP gas cylinder under or near this appliance.

Never fill the cylinder beyond 80 percent full.

For appliances designed to use a CGA No. 791IQCC connection.

Place the dust cap on the cylinder valve outlet whenever the cylinder is not in use.

Note: Gas supply pressure: 25 PSI to 250 PSI.



Standard 20 lbs. tank



**WARNING** FUELS USED IN LIQUIFIED PROPANE GAS APPLIANCES, AND THE PRODUCTS OF COMBUSTION OF SUCH FUELS, CAN EXPOSE YOU TO CHEMICALS INCLUDING BENZENE, WHICH IS KNOWN TO THE STATE OF CALIFORNIA TO CAUSE CANCER AND CAUSE BIRTH DEFECTS OR OTHER REPRODUCTIVE HARM.

**WARNING:**

Solid fuels shall not be burned in this appliance.

The installation must conform with local codes or, in the absence of local codes, ANSIZ223, 1/NFPA54, NFPA58 Natural Gas and Propane Installation Code, CSA B149.1, or Propane Storage and Handling Code, B149.2.

This appliance must be isolated from the gas supply piping system by closing its individual manual shutoff valve during any pressure testing of the gas supply piping system at test pressures equal to or less than 1/2 psi (3.5 kPa).

Max. gas supply 6791.3 in wc (1725 kPa). Manifold pressure 11 in wc (2.74 kPa).

Inspect the fuel supply connection for signs of leakage (including the hose for the LP models) before each use of the appliance.

All leak tests should be done with a soapy solution, **NEVER USE AN OPEN FLAME TO CHECK FOR LEAKS.**

Children and adults should be alerted to the hazards of high surface temperatures and should stay away from the appliance to avoid burns or clothing ignition. This appliance comes with a heat shield which is an important safety component preventing contact with the fire bowl when adjusting the propane valve.

Young children should be carefully supervised when they are in the area of the heater.

Clothing or other flammable materials should be not be hung from the heater, or placed on or near the heater.

Any guard or other protective device removed for servicing the heater, must be replaced prior to operating the heater.

Installation and repair should be done by a qualified service person, The heater should be inspected before use and all east annually by a qualified service person.

More frequent cleaning may be required as necessary. it is imperative that the control compartment, burners, and circulating air passageways of the heater be kept clean.

Keep the appliance area clear and free from combustible materials, gasoline, and other flammable vapors and liquids.

**DO NOT OBSTRUCT** the combustion process or air ventilation flow.

Keep the ventilation opening(s) of the cylinder enclosure free and clear from debris.

The appliance should be used in a well-ventilated space and not in a building, garage or any other enclosed area.

An appliance may be installed within a shelter if the shelter meets one of the following conditions: The shelter has walls on all sides, but with no overhead cover. The shelter is within a partial enclosure which includes side walls. These side walls may be parallel, as in a breezeway, or at right angles to each other.

**WARRANTY**

**YEAR LIMITED WARRANTY**

- We warranty the metal frame and burner to be free of manufacturing defects to the original purchaser for one year.
- Proof of purchase (dated register receipt) is required for warranty claimed.

**WHAT IS NOT COVER**

It remains the customer's responsibility for freight and packaging charges to and from our service center. This warranty does not cover commercial use, acts of nature, fire, freezing and abusive use. In addition, purchased parts are not covered under this warranty. We reserve the right to make substitutions with similar merchandise, if the model in question is no longer in production.

**PLANNING ASSEMBLY**

Carefully remove all pieces from the carton and make sure that you have all the parts (refer to the hardware and package contents list). If you are missing parts, please contact after-services for further assistance.

**YOUR OWNER'S MANUAL**

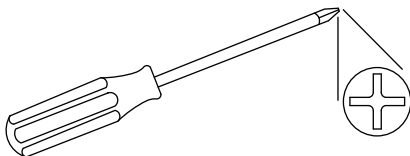
Keep and store this manual for future reference. It contains important instructions and procedures for safety and maintenance.



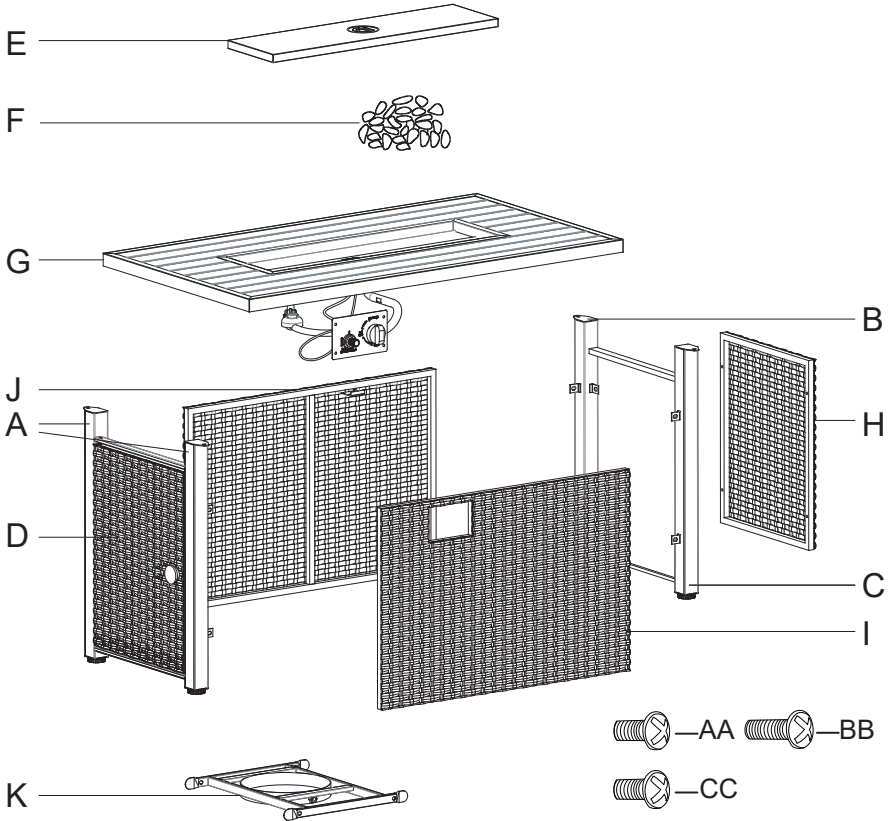
**Note:**

Please read and understand the entire manual before you assemble, operate, or install the fire pit table.

**TOOLS REQUIRED (NOT INCLUDED)**



Phillips  
screwdriver



Part	Description	Qty
AA	M6x10 mm Bolt	16
BB	M5x12 mm Bolt	4
CC	M6x16 mm Bolt	4
A&D	Door panel	1
B&C	legs	1
E	Metal lid	1
F	Glass beads	1
G	Table top with burner	1
H	Back side panel	1
I	Side panel with window	1
J	Side panel	1
K	Gas tank support	1

Note: Carefully unpack all parts from the box, compare parts with package content listed above, make sure all parts are present before beginning assembly of product. If any part is missing or damaged, do not attempt to assemble the product. Contact customer service for replacement parts.

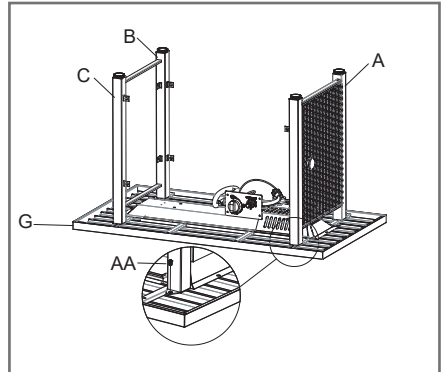


For more assembly instructions, please visit our Youtube channel.

<https://www.youtube.com/@nuugardenusa>

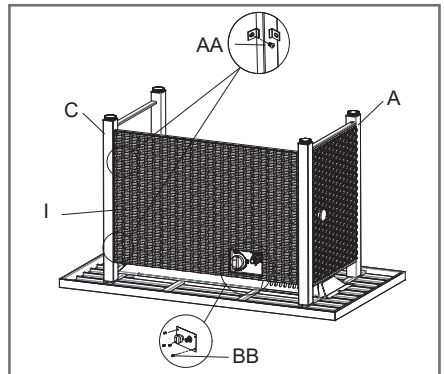
**Step 1: Assembling the legs**

Attach the door panel and legs (A&D, B&C) to the table top with burner (G) using 4 bolts (AA). Do not over-tighten them.



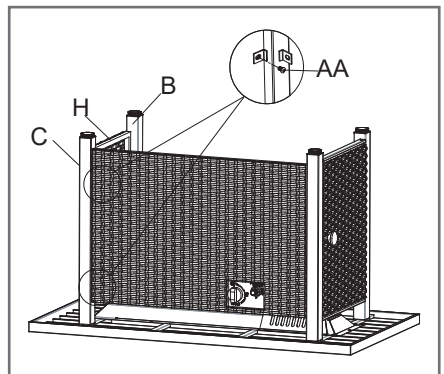
**Step 2: Assembling the side panel with window**

Connect the side panel with window (I) and the legs (A&C) with 4 bolts (AA). Attach the control panel to the side panel with window (I) using 4 bolts (BB). Do not over-tighten them.



**Step 3: Assembling the back side panel**

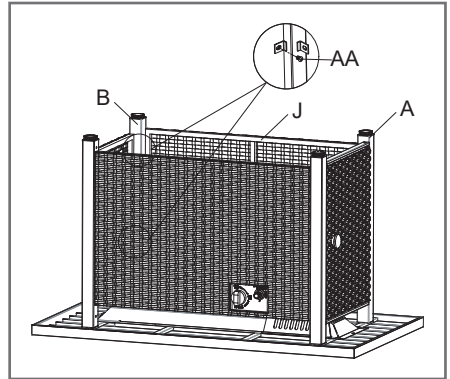
Connect the back side panel (H) and the legs (B&C) with 4 bolts (AA). Do not over-tighten them.



Note: Carefully unpack all parts from the box, compare parts with package content listed above, make sure all parts are present before beginning assembly of product. If any part is missing or damaged, do not attempt to assemble the product. Contact customer service for replacement parts.

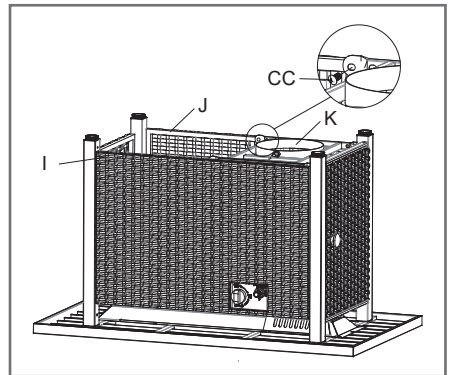
**Step 4: Assembling the side panels**

Connect the side panel (J) and the legs (A&B) with 4 bolts (AA). Do not over-tighten them.



**Step 5: Assembling the gas tank support**

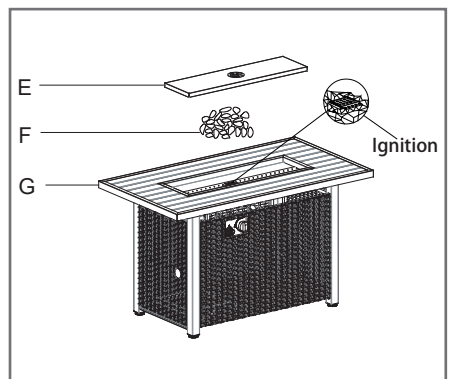
Attach the gas tank support (K) to panels (I&J) using 4 bolts (CC). Upon completing the entire assembly and bolting up, you can tighten down all screws.



**Step 6: Place the glass beads**

Place the glass beads (F) in the fire bowl.

Note: Make sure that no glass beads are placed on the ignition part of the burner. Then put on the metal lid (E).




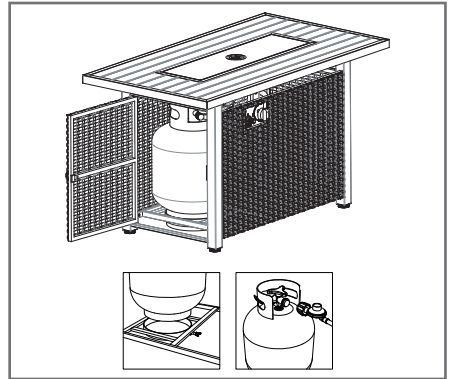
Note: Carefully unpack all parts from the box, compare parts with package content listed above, make sure all parts are present before beginning assembly of product. If any part is missing or damaged, do not attempt to assemble the product. Contact customer service for replacement parts.

**Step 7: Assembling the cylinder**

Place the cylinder in the gas tank support (K) and secure the cylinder by tightening the screw in the gas tank support (K). Connect the hose and regulator to the cylinder.

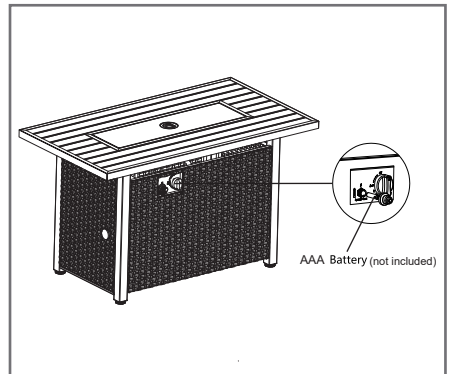
NOTE: The propane cylinder is available separately.  
Use a standard 20 lb propane cylinder.

 **NOTE:** The propane cylinder is sold separately. Use a standard 20 lb. propane cylinder only. Put the hose away from the bowl base during connect the propane cylinder.



**Step 8: Installing the AAA battery**

Open the igniter and place the AAA battery (not included) into the igniter. Then tighten clockwise.



**WARNING:** Never use this appliance for other than the intended use. DO NOT use this appliance to prepare food.

Lighting: when lit for the first time, the appliance emits a slight odor. This is a normal, temporary condition. Internal paints and lubricants used in manufacturing cause the "burn-in." It does not happen again, run the main burner on high for approximately one-half hour.

**WARNING:**

Parents and caregivers should warn children. They should warn them about the dangers of high surface heat. They should stay away from the appliance to avoid burns or their clothes catching fire. The appliance comes with a heat shield. It is an important safety part. It stops contact with the fire bowl when adjusting the propane valve.

Parents should supervise children when they are near the appliance.

Do not hang flammable clothes from the appliance. Also, do not put them on or near the appliance. The area above the fire pit may be extremely hot. Avoid touching these surfaces. It prevents burns and clothes from catching fire.

You must replace any guard or shield removed for appliance servicing. Do this before using the appliance. A qualified service person should do the installation and repair.

Check the appliance before each use. Also, have a qualified service person inspect it at least once a year. You may need to clean more frequently. It is vital to keep the control compartment, burners, and air passages of the appliance clean.

**WARNING:**

Never use the appliance while it is raining. Always turn the appliance off when raining.

Always avoid using the appliance if the burner is damaged. Inspect the burner before each use. Check that no debris, like leaves, grass, or other objects, have entered or are on the appliance. Replace the burner if it is damaged before using this appliance. Use a dealer-specified replacement.

Inspect the hose assembly before each use. If there is significant abrasion or wear, or if there is damage to the hose, replace it. Do this before using the appliance with a hose specified by your dealer.

**WARNING:** Any modification to the appliance may compromise the safety of this appliance. Special concern is as follows:

Do not bypass the thermocouple safety.

Do not operate the appliance if any parts have been underwater. Immediately call a qualified technician. They will inspect the appliance. They will replace any part of the control system or gas control that was under water.

**LEAK TESTING OPERATION**

**WARNING:** A leak test must be performed annually or if a part of the gas system is replaced.

**WARNING:** Never use an open flame to check for gas leaks. Be certain no sparks or open flames are in the area while you check for leaks. Sparks or flames will cause a fire or explosion. They will damage property and cause serious injury or death.

**LEAK TESTING:**

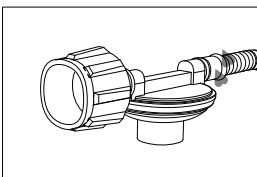
1. Make 2-3oz of leak detection solution. Mix one part soap with three parts water.
2. Make sure all fire pit and light valves are OFF.
3. Apply several drops of solution where the hose attaches to the regulator.
4. Apply several drops of solution where the regulator connects the cylinder.
5. Turn the cylinder valve ON.

If bubbles appear at any connection, there is a leak.

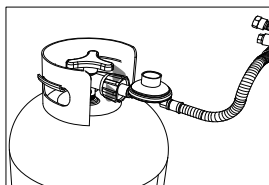
1. Turn cylinder valve off
2. If leak is at hose/regulator connection: tighten connection and perform another leak test. If bubbles continue appearing, please contact after-service for assistance.
3. If leak is at regulator/cylinder valve connection: disconnect, reconnect, and perform another leak test. If you continue to see bubbles after several attempts, cylinder valve is defective, and contact after services for assistance.

If no bubbles appear at any connection, the connection are secure.

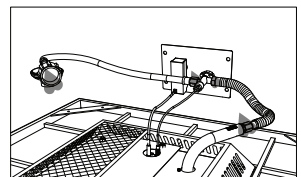
**Note:** whenever gas connection are loosened or removed, you must perform a complete leak test.



Hose/Regulator Connection



Regulator/Cylinder Connection



**LIGHTING**

**CAUTION:** Keep the outdoor gas appliance area clear of flammable things. This includes gasoline and other flammable vapors and liquids.

**CAUTION:** Do NOT obstruct the flow of combustion and ventilation air.

**CAUTION:** Check and clean burner/venturi tubes for insects and insect nests. A clogged tube can lead to a fire.

1. Make sure all labels, packaging, and protective films are off the fire pit.
2. Control knob must be in the "OFF" position. (see figure 1)
3. Full open LP cylinder valve.
4. Press and hold the electronic igniter button.
5. Press the control knob, turn counterclockwise to the "LOW" position, press and hold. When the burner lights, release the electronic igniter button. (see figure 2)
6. Continue to depress the gas control knob for 30 seconds and then release. If the flame goes out, repeat the procedure.
7. Adjust the flame to the desired height with the gas control knob. Visually check the burner flames as picture below. (see figure 3)
8. If the burner won't light with the igniter, hold a lit long match or butane lighter to the ignition area. Then, continue with step 5.

**WARNING:** If the burner does not light within 10 seconds, turn the valve off. Wait 5 minutes for the gas to dissipate before trying again.

**WARNING:** The surface of the fire pit can remain extremely hot for a period after use. Allow 45 minutes to cool to dissipate before repeating the procedure.

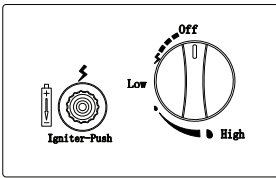


Figure 1

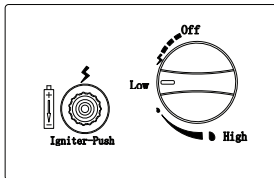


Figure 2

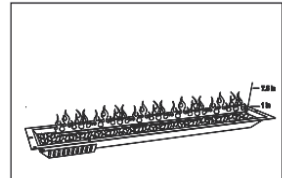


Figure 3

**Shut Down**

1. To extinguish the burner depress the control knob and continue to turn it clockwise to "OFF".
2. Turn the cylinder valve clockwise to "OFF" and disconnect the regulator when the fire pit is not in use.

**Store between uses:**

- Turn the control knob to the "OFF" position.
- Disconnect LP source.
- Store the heater upright. Put it in a sheltered area. Protect the area from rain, sleet, hail, snow, dust, and debris.
- If desired, cover the heater. This protects the exterior and helps prevent build-up in air passages.

**Storage during periods of extended inactivity or when transporting:**

- Turn the control knob to the "OFF" position.
- Disconnect LP source and move to a secure, well-intended location outdoors. Do not store in a location that will exceed 125 °F.
- Store the heater upright. Put it in a sheltered area. Protect the area from rain, sleet, hail, snow, dust, and debris.
- If desired, cover the heater. This protects the exterior and helps prevent build-up in air passages.

Note: Wait until heater is cool before covering.

**Care and cleaning**

To enjoy years of great heater performance, do the following maintenance regularly:

- During hose/regulator inspection, pull the door using the handle.
- keep the exterior surface clean.
- Use warm soapy water for cleaning. Never use flammable or corrosive cleaning agents.
- While washing your unit, be sure to keep the area around the burner dry at all times. If water comes into contact with the gas control, do not attempt to use it. Replace it.
- Keep the appliance area free and clean. Don't store combustible materials, gasoline, or other flammable vapors and liquids there.
- Inspect the unit for the presence of spiders, spider webs, or other insects at least once a year.
- Ensure that there are no obstructions in the airflow. Keep controls, burner, and circulating air passageways clean. Signs of possible blockage include:

Gas odor with extreme yellow tipping of flame.

The heater does NOT reach the desired temperature.

The heat flow is excessively uneven.

Heat makes popping noises.

- Spiders and insects can nest in burners or orifices. This danger can damage the heater. It can make it unsafe for use. Clean the burner holes using a heavy-duty pipe cleaner. Compressed air may help clear away smaller particles.
- Carbon deposits may create a fire hazard. Clean the reflector, thermocouple, and emitter screen with a dry cloth. Do this if any carbon deposits develop.
- The burner is steel. But, high heat and a corrosive environment can cause surface corrosion. You can remove this with a brass wire brush. Check the burner once a year. Look for cracks, insect nests, too much rust, or any other damage. If you damage the burner, you must replace it. Use a burner specified by the manufacturer before using the appliance.

<b>Problem</b>	<b>Cause</b>	<b>Solution</b>
The flame and heat are low when the valve is turned to high.	The propane lighting procedure was not followed correctly.	Ensure lighting procedure is followed carefully. The valve must be in the off position when the tank valve is turned on. Turn the tank on slowly to allow pressure to equalize. See Lighting Instructions in the Operating section.
Burners burn with yellow flame, accompanied by the smell of gas.	There is possibly a spider web or other debris.	Thoroughly clean the burner venturi. See the Maintenance section.
The burner will not light with the igniter, but will light with a match.	The battery is either dead or installed incorrectly.  There is a loose electrode wire or switch terminal wires.	Check the installation or replace with a new battery.  Check that the electrode wire is firmly pushed onto the terminal on the back of the igniter. Check that the lead wires from the module to the ignition switch (if equipped) are firmly pushed onto their respective terminals.
The burner will not stay lit when control knob is released.	The knob is not being held in long enough.  It is too windy outside.  Lava rock or debris are in the ignition area of the burner preventing the thermocouple from being fully engulfed in flame.  Either the thermocouple or thermocouple connection is dirty.  Either the thermocouple or valve is faulty.	The thermocouple must have time to heat up. Hold the knob in for 30 seconds after the burner lights, then release.  The unit will shut down if winds are greater than 10 mph (16 km/h). Either locate the fire pit to a different area or use when it is less windy.  Ensure there is no lava rock or other debris in the ignition area, and that the small hole below the thermocouple is unobstructed.  Clean the thermocouple and clean the connection between the valve and thermocouple. Ensure the connection is properly tightened.  Replace thermocouple and/or valve.
The regulator is humming.	This is a normal occurrence on hot days.	This is not a defect. It is caused by internal vibrations in the regulator and does not affect the performance or safety of the gas heater. Humming regulator will not be replaced.
The valve is set to high but there is low heat output. There is also a rumbling noise and a fluttering blue flame at the burner surface.	There is not enough gas.  The supply hose is pinched.  The burner orifice is either dirty or clogged.  There are spider webs or other matter in venturi tube.  The propane regulator is in a "low flow" state.	Check the gas level in the propane cylinder.  Reposition the supply hose as necessary.  Clean the burner orifice.  Clean out the venturi tube.  Ensure the lighting procedure is followed carefully. All valves must be in the off position when the tank valve is turned on. Turn tank on slowly to allow pressure to equalize. See the Lighting Instructions in the Operating section.

Follow the instructions for the product's material to ensure it stays in the best shape as long as possible. The information below is a general guideline.

Don't hesitate to get in touch with us to learn more.

- Only rinse it thoroughly with clean water to wash away dirt and grime. Never use abrasive cleansers on the furniture since they can attack the surface and leave behind scratch marks.
- For stubborn grime and stains, use a soft sponge and mild soapy water. Then dry it with a cloth or paper towel.
- Check the stability of the screws, nuts, and nut caps before each use. Then, tighten them up after one to two months' use whenever required.
- Avoid improper use, and be careful not to scratch or damage the surface with sharp objects.
- When you move your furniture, lift it rather than pulling or pushing it to avoid damaging the floor, legs, and mounting.

Thanks for purchasing NUUGARDEN furniture. We are here to help you maximize your enjoyment and appreciation of it.

Please do not hesitate to contact our customer service if you have any questions regarding assembly or accessories.

Add: 6366 Corley Road, Norcross, GA 30071.

Tel: (800) 257-7108

Web: <https://nuumart.com>

E-mail: [service@nuugarden.com](mailto:service@nuugarden.com)

Service time: Mon-Fri, 8:30 AM-5:30 PM, EST



NUUGARDEN USA



### **Nuu Garden Corp.**

Add: 6366 Corley Road, Norcross GA 30071.

Tel: (800) 257-7108

Web: <https://nuumart.com>

E-mail: [service@nuugarden.com](mailto:service@nuugarden.com)