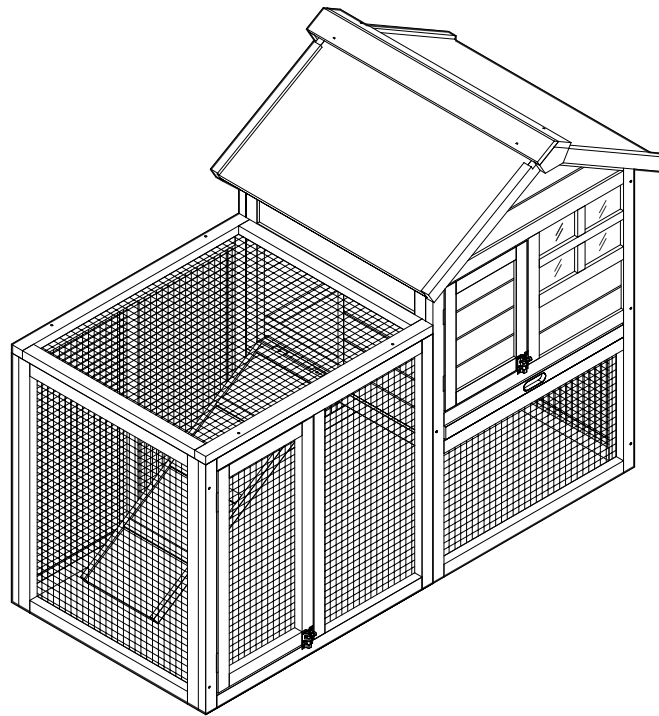
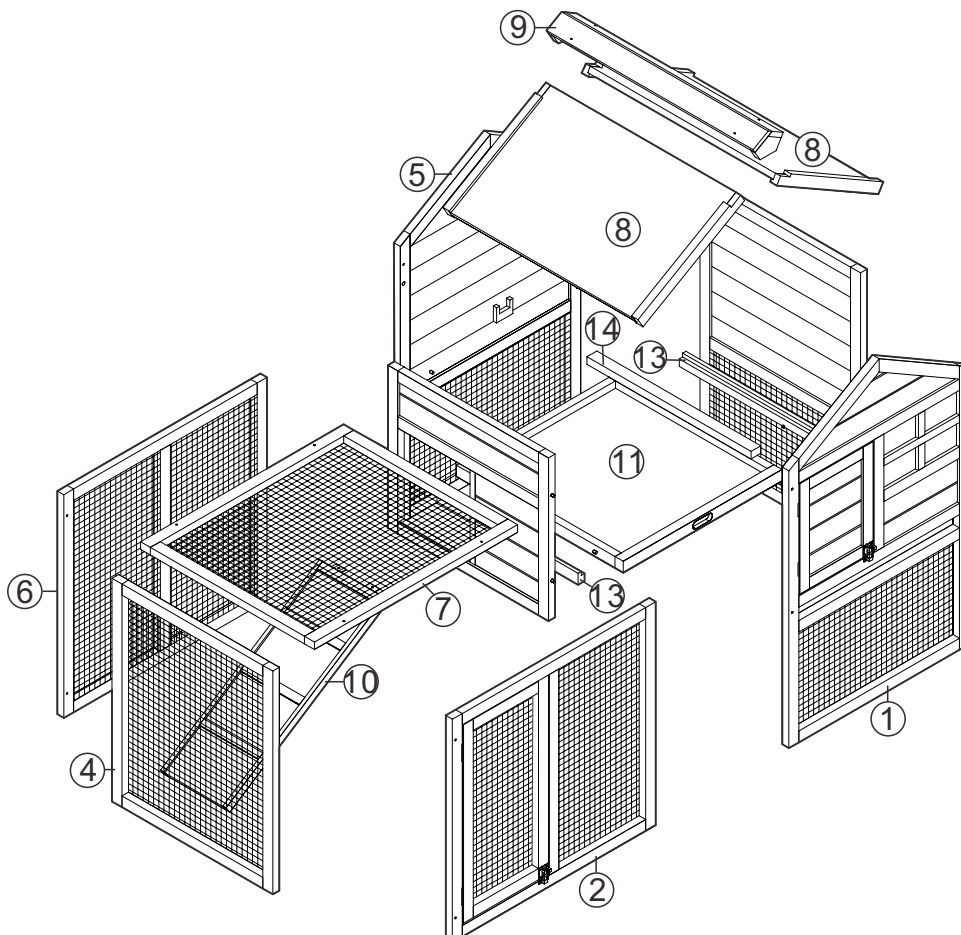


WF285032AAD&AAE&AAJ

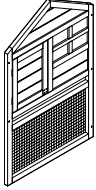
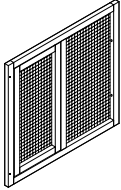
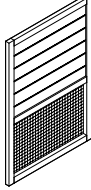
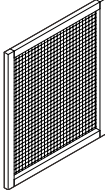
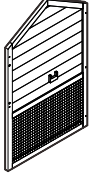
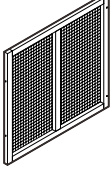
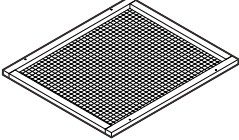
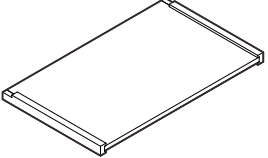
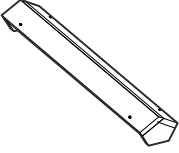
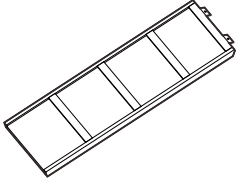
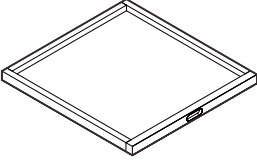
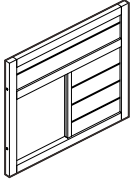
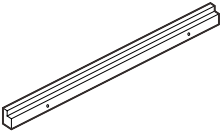
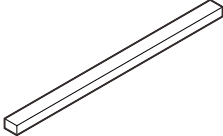


This set includes 2 boxes. If not receive full 2 boxes, please contact our customer service team









Detail View



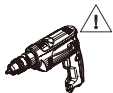
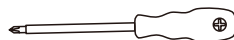
Hardware List(WF285032AAD&AAE&AAJ)

1		2		3		4	
Front panel of hutch-1pc		Front panel of extension-1pc		Side panel of hutch-1pc		Side panel of extension-1pc	
5		6		7		8	
Back panel of hutch-1pc		Back panel of extension-1pc		Top of extension- 1pc		Roof of hutch-2pcs	
9		10		11		12	
Ridge cap of hutch-1pc		Ramp-1pc		Tray-1pc		Middle panel of hutch-1pc	
13		14					
Support of tray-2pcs		Perch-1pc					

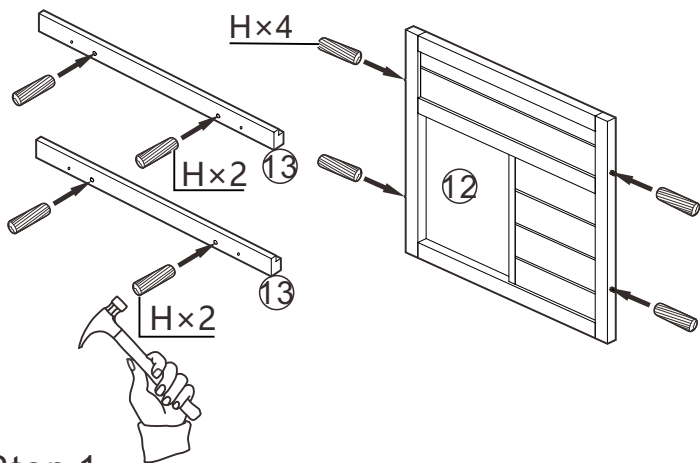
Hardware List

A	 3.5×40	B	 3.5×50	C	 3.0×38	D	 3.5×30
Ph zinc screws-22+1pcs		Ph zinc screws-4+1pcs		Ph zinc screws-4+1pcs		Ph zinc screws-4+1pcs	
E	 3.0×20	F	 3.0×12	G		H	
Ph zinc screws-2+1pcs		Ph zinc screws-12+1pcs		Black coated Latch-2pcs		Wood dowel-8pcs	

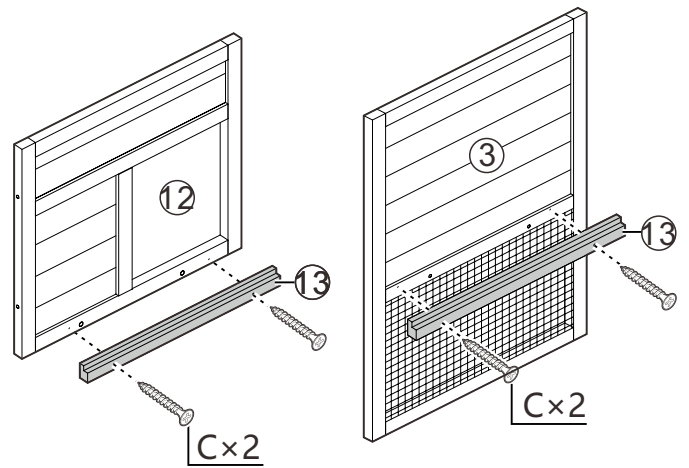
ASSEMBLY TOOLS REQUIRED(NOT INCLUDED)



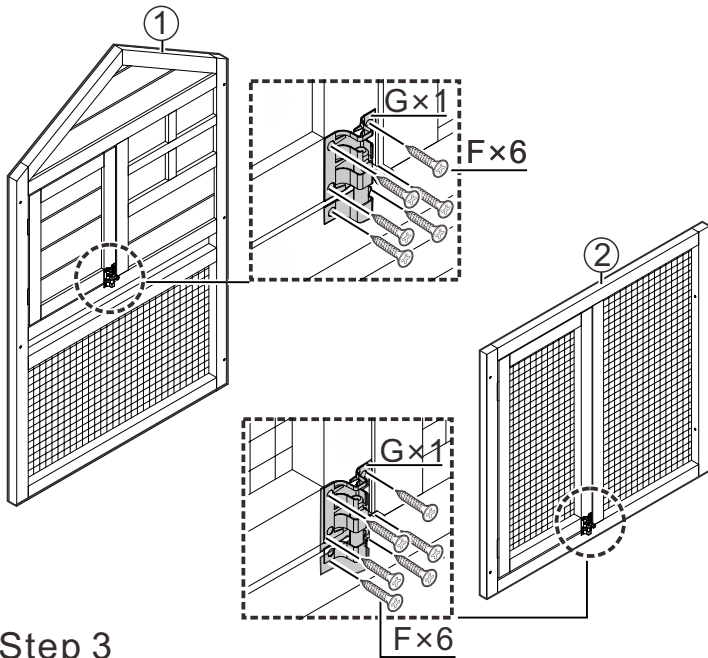
PLEASE BE CAREFUL DO NOT DAMAGE THE HOLE
POSITION WHEN YOU USE POWERTOOLS !



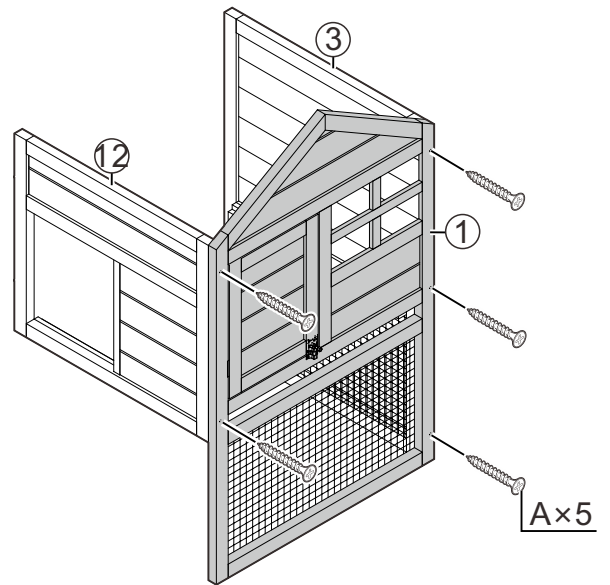
Step 1



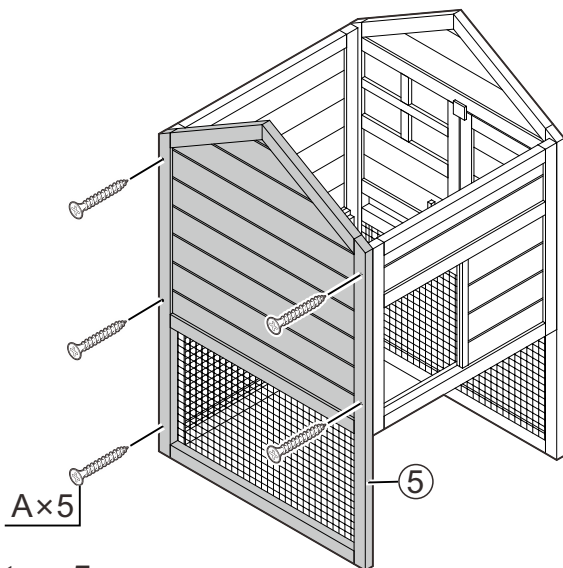
Step 2



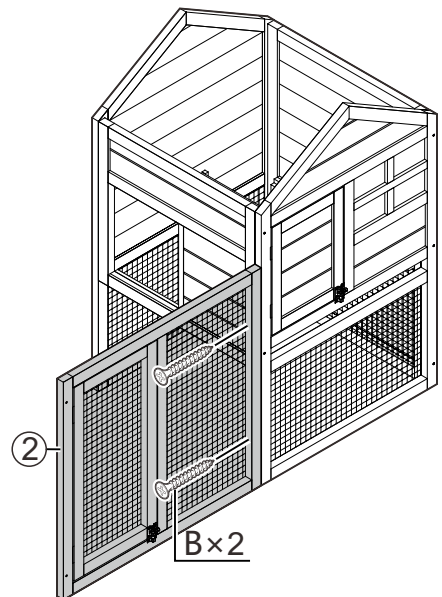
Step 3



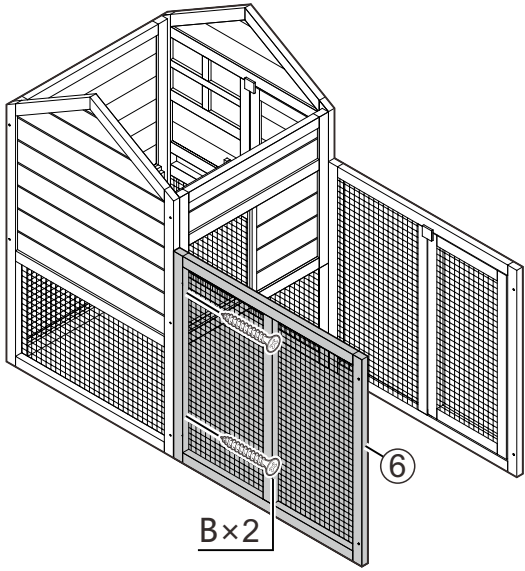
Step 4



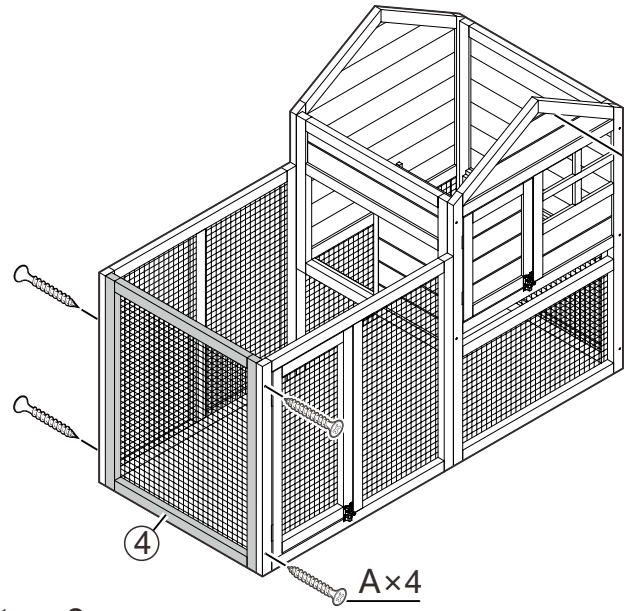
Step 5



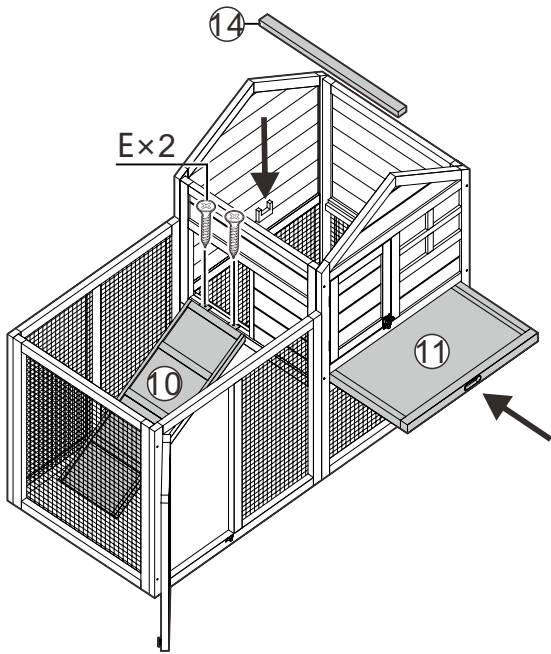
Step 6



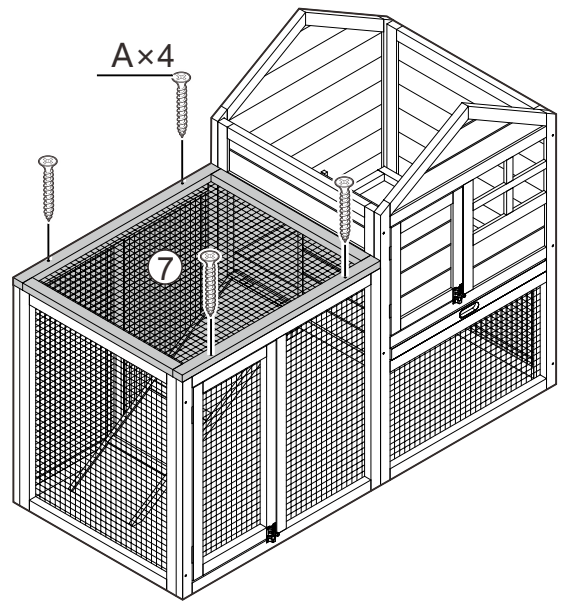
Step 7



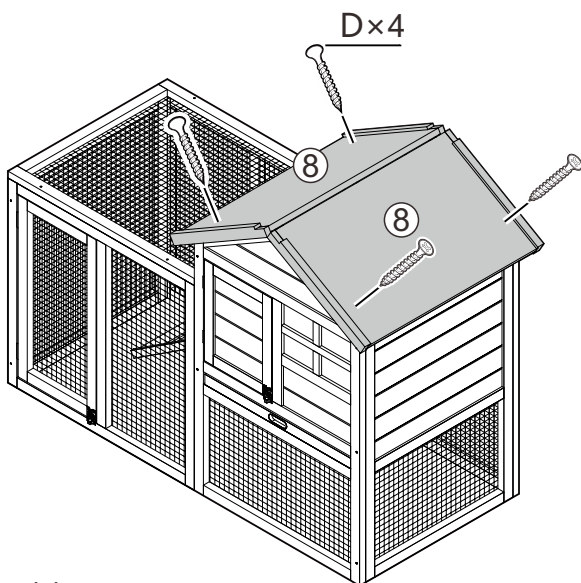
Step 8



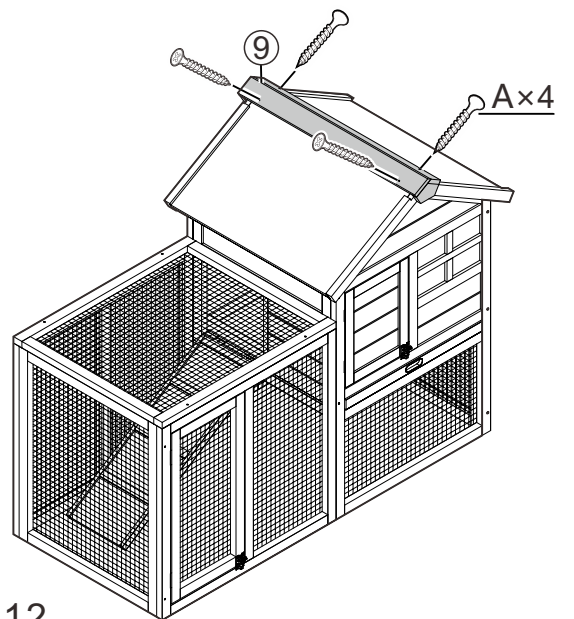
Step 9



Step 10



Step 11



Step 12