

Ready-to-Assemble Privacy Vinyl Fence Installation Instructions

English Instructions.....1

FREEDOM[®]
OUTDOOR LIVING



Read all instructions prior to installing product.

Refer to manufacturers safety instructions when operating any tools.

To register your product, please visit: freedomproduct.com

⚠ WARNING:

- Improper installation of this product can result in personal injury. Always wear safety goggles when cutting, drilling and assembling the product.
- Incorrect installation may cause harm to the product or individual.
- Check local building codes to determine pool-safe fencing options.

NOTICE:

- DO NOT attempt to assemble the kit if parts are missing or damaged.
- DO NOT return the product to the store. For assistance or replacement parts call: 1-800-336-2383.

BEFORE YOU BEGIN:

Check your local zoning laws.

- Local zoning laws and Home Owners Associations may regulate the location, style and height of your fence or even require a permit signoff beforehand.
- Check local codes for frost line depth and regulations.
- Additional products and assembly may be required to meet wind code requirements. Notice of acceptance (NOA) can be found at www.miamidade.gov/building/pc-search_app.asp

Contact your local utilities companies.

- You must have the utility companies clearly mark your property for electrical, gas or water lines to avoid puncturing any unseen underground utilities.

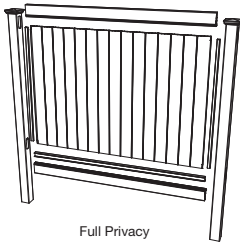
TOOLS/MATERIALS NEEDED:

Posts
Post Tops
Concrete
Coarse Gravel (6" per hole)
Post Hole Digger/Shovel
String Line Stakes with String
Level
Tape Measure
Rubber Mallet
Safety Glasses
Glue

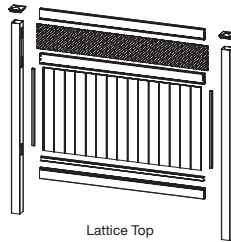
Component list:

Description
Rails
Boards
U-Channels
Pickets*
Lattice*

*Included depending on style



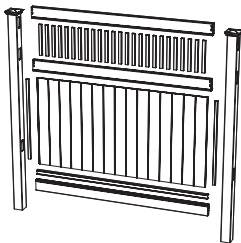
Full Privacy



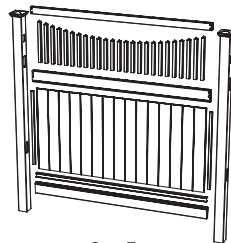
Lattice Top



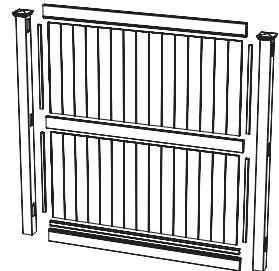
Shadowbox



Closed Top



Open Top



8' High Full Privacy

1

Mark the fence location using string and line stakes (Fig. 1).

NOTE:

Plan gate placement, opening and hardware clearance before installing fencing.

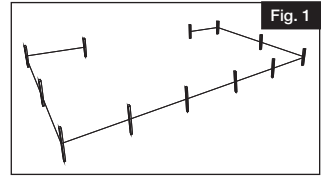


Fig. 1

2

Post Location:

Measure the width of the fence panel (X) plus the width of the post (Y). This is the common center-to-center measurement (unless there is a cut-down panel) for post hole location (Fig. 2).

Post Installation:

Dig first two post holes in diameter based on size chart below* and down to your specified frost line. Insert filler/gravel into the bottom of both holes and then set first post in post hole.

Add wet or dry concrete mix according to the manufacturer's instruction to the top of the hole for first post only and level it.

Example: When your frost line is 36" insert 12" of gravel/ filler and 24" of post with concrete surrounding (Fig. 3).

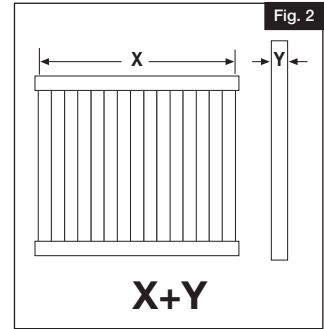


Fig. 2

*

Diameters based on post size:

10" for 5" x 5" post

8" for 4" x 4" post

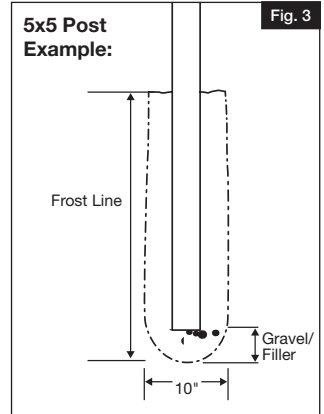


Fig. 3

3

Insert 6" of gravel/filler into the bottom of both holes and then set both posts into the ground and level the first post.

Add wet or dry concrete mix according to manufacturer's instructions to the top of the first post hole (Fig. 4). Make sure panel will be 2" above the ground.

After setting first fence section, proceed systematically with post, panel, post, etc.

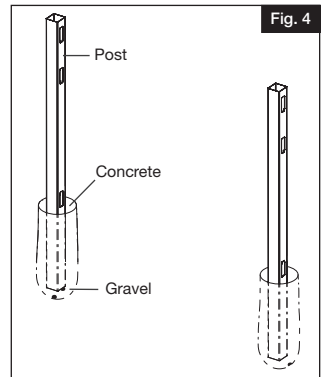


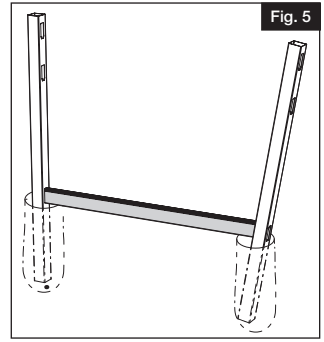
Fig. 4

4

When included in kit, place aluminum insert into bottom rail, then insert bottom rail into bottom post route hole of first post only (Fig. 5). Panels with 7" rails and 8x6 panels do not require aluminum inserts.

NOTE:

8x8 panels will use aluminum inserts in the middle rail.

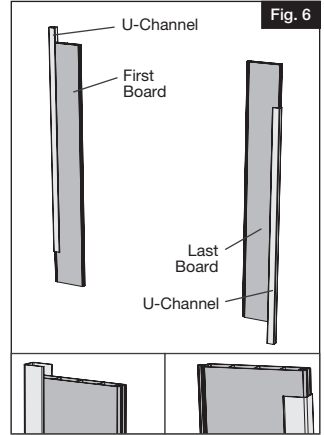


5

Attach U-channels to two end boards (Fig. 6).

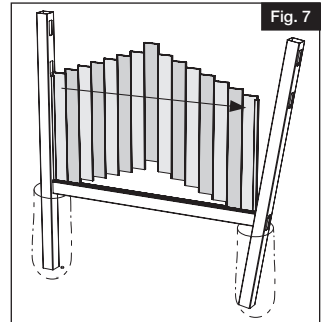
NOTE:

Attach U-Channel to "tongue" side of first board, and "groove" side of last board.



6

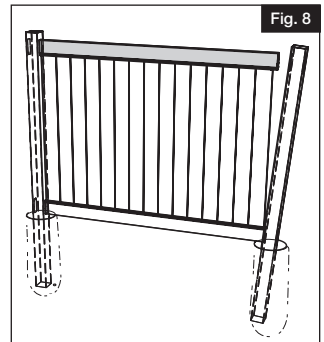
Insert boards into bottom rail ensuring U-channels are on both ends. Start from first installed post and work towards second post (Fig. 7).



7

For Full Privacy Panels (Excluding 8' High):

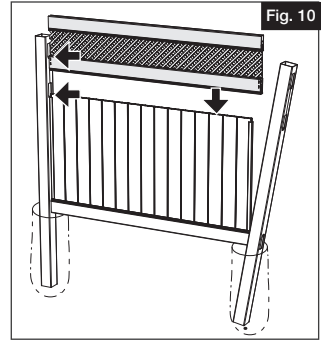
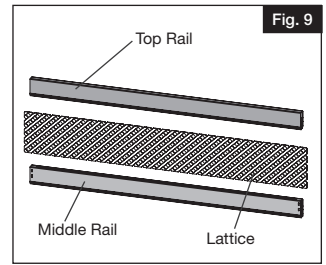
- Insert the top rail into the first top hole post route then guide over top of boards (Fig. 8).
- Proceed to Step 8.



4

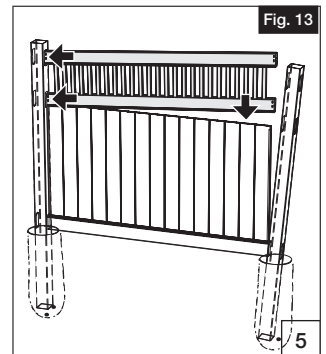
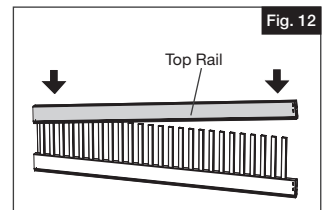
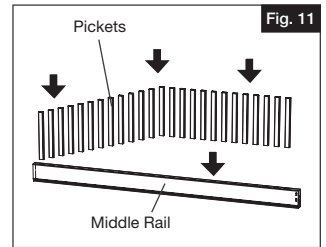
For Lattice Top Panels:

- a. Place lattice into the middle rail followed by the top rail (Fig. 9).
- b. Finally, add the completed top assembly into the route holes of the first post (Fig. 10).
- c. Proceed to Step 8.



For Closed Top Panels:

- a. Insert pickets into middle rail (Fig 11).
- b. Guide top rail over picket tops (Fig. 12).
- c. Finally, add the completed top assembly into the route holes of the first post (Fig. 13).
- d. Proceed to Step 8.



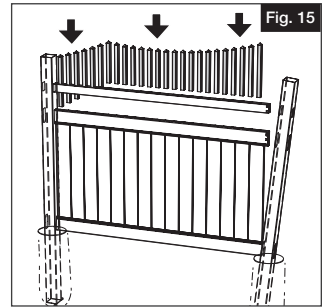
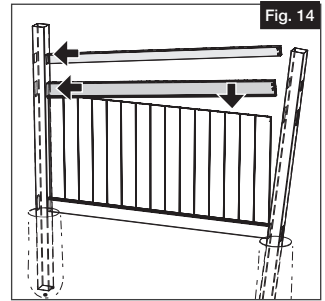
For Open Top Panels with Pickets:

- a. Attach middle rail into left side of post route only then guide rail over boards. Insert top rail into left post route holes of first post only (Fig. 14).
- b. Insert pickets down through top and middle rail (Fig. 15).

NOTE:

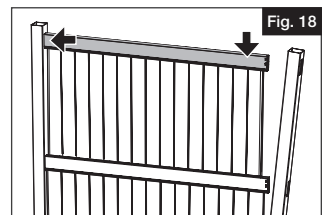
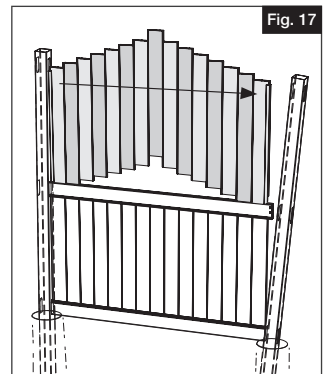
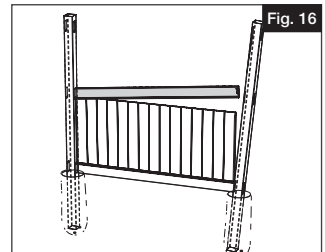
Scalloped and Arched panels have pickets/boards that are numbered. Start from left side with the #1 picket/board first.

- c. Proceed to Step 8.



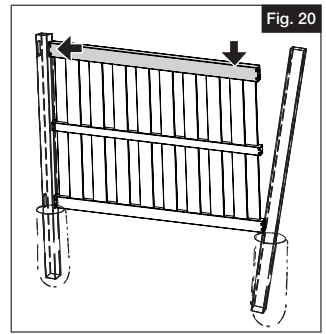
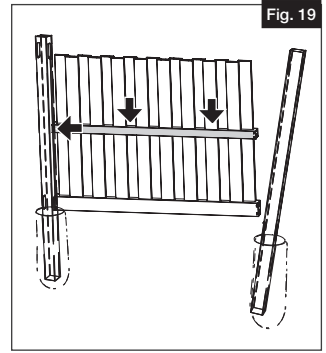
For 3-Rail (8' High) Privacy Panels:

- a. Insert the middle rail into middle post route holes of first post only (Fig. 16).
- b. Insert top boards into middle rail ensuring U-Channels are on both ends. Start from first installed post and work towards second post (Fig. 17).
- c. Insert the top rail into the first top hole post route then guide over top of boards (Fig. 18).
- d. Proceed to Step 8.



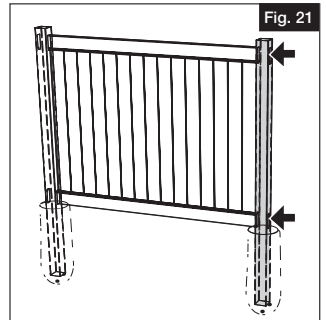
For Shadowbox Panels:

- a. Insert the middle rail into middle post route holes of first post only (Fig. 19).
- b. Insert the top rail into the first top hole post route then guide over top of boards (Fig. 20)
- c. Proceed to Step 8.



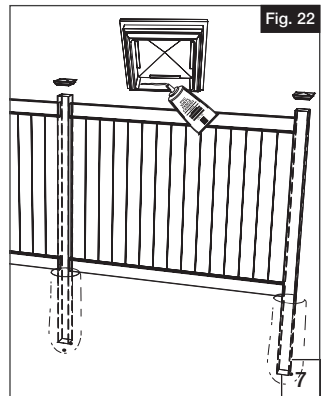
8

Insert the completed fence panel into the route holes of the second fence post. Plumb and level the post and add concrete according to manufacturers instructions to top of hole (Fig. 21).



9

Apply glue on inside rim of post tops then attach to posts (Fig. 22). Repeat these steps until completed.



FREEDOM[®]
OUTDOOR LIVING

Barrette Outdoor Living
7830 Freeway Circle, Middleburg Heights, OH 44130
freedomproduct.com • (888) 418-4400

BY **Barrette**
OUTDOOR LIVING 