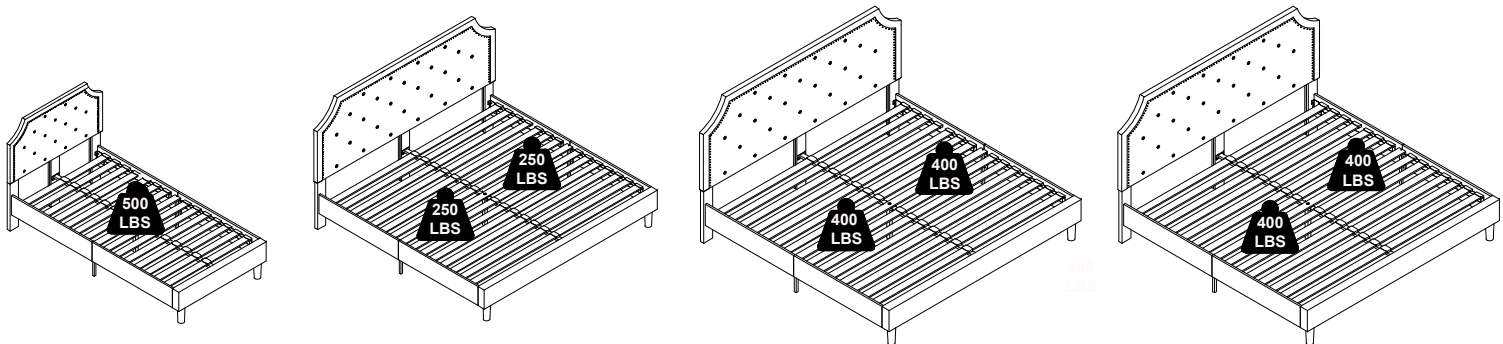


Thank you for your purchase!

PLATFORM BED FRAME



TWIN SIZE

FULL SIZE

QUEEN SIZE

KING SIZE

ASSEMBLY INSTRUCTIONS

Before You Begin:

Please identify all component parts and hardware pieces required before you begin. Carefully remove all of the components from the packaging and set aside for assembly. Assemble on a soft surface to prevent scratching during assembly.

Caution:

Tighten all components securely before use. Failure to do so may result in personal injury. DO NOT use any sharp objects to open plastic wrapped components as damage to product or components may result.

Warning:

CHOKING HAZARD - Small Parts. Adult Assembly Required.

DO NOT ALLOW CHILDREN TO CLIMB ON FURNITURE

Serious or fatal injuries can occur from furniture tipping over. You must install Tipping Restraint Hardware (where included) to help prevent the unit from tipping and causing accidental injury, instability, death or damage. The tipping restraint is intended only as a safety measure, it is not a substitute for proper adult supervision.

To help prevent furniture from tipping over it must be permanently attached to the wall. Anti-Tip Safety Wall Straps suitable for the unit weight and wall materials (if not included) should be purchased and installed.

Customer Service email: CustomerExperience@theubiquegroup.com / Phone: 866-552-2810

889142227250 / 889142227267 / 889142227281 / 889142227274 / 889142227137 / 889142227168 / 889142227151 / 889142227144
889142227212 / 889142227229 / 889142227236 / 889142227243 / 889142227175 / 889142227182 / 889142227199 / 889142227205



Congratulations!

You just purchased a piece of happiness. At Ubique Group, we believe you can transform your spaces into the most inspired places with furnishings that are the perfect combination of form, function and style. As original innovators of online furniture retail, we offer the best selection of popular, contemporary styles at cool, comfortable prices. And, with decades of proven shipping and packaging expertise, our Extended Quality Checklist ensures a rewarding, hassle-free experience time and time again. It's just what you need to bring your vision to life.

Thank you & Enjoy!!
your friends at Ubique Group



LIKE IT!

Share it on social
& Tell a friend!
#Spaces2Places



LOVE IT!

Write an online
product review
where purchased



NOT SURE?

Let us help!
Contact our
customer support.

Have a question, concern or simply need a hand? Your satisfaction is our top priority. Contact us at 866-552-2810 or customerexperience@theubiquegroup.com. We're here to help!

Browse Our Branded Collections

There's something for everyone inside our family of brands.



MERRICK | LANE

Taylor & Logan

Emma+Oliver



BlackArc

Visit www.theubiquegroup.com/brands or scan this code.





We pride ourselves on providing an excellent customer experience starting right here with your package and instructions. Everything you need should be right where you need it, so you can get to enjoying your new item ASAP. But despite our best efforts, sometimes "slips happen." If you need any support, from replacement parts to recommendations, please reach out to our wonderful customer support team at 866-552-2810 or customerexperience@theubiquegroup.com. We're here to help!

EVERY UBIQUE GROUP PRODUCT



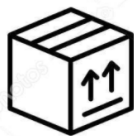
Quality &
Durability Tested



Packaged
with Care



Shipped from
our U.S. Facility



Designed
for Easy
Assembly



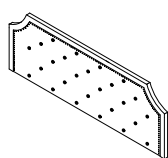
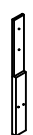
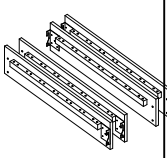


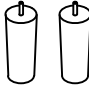




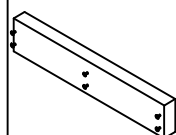
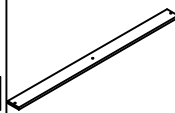
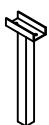
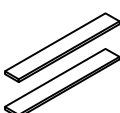

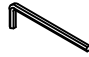

Ethically
Sourced

Please visit <https://www.theubiquegroup.com/warranty> for complete warranty information.

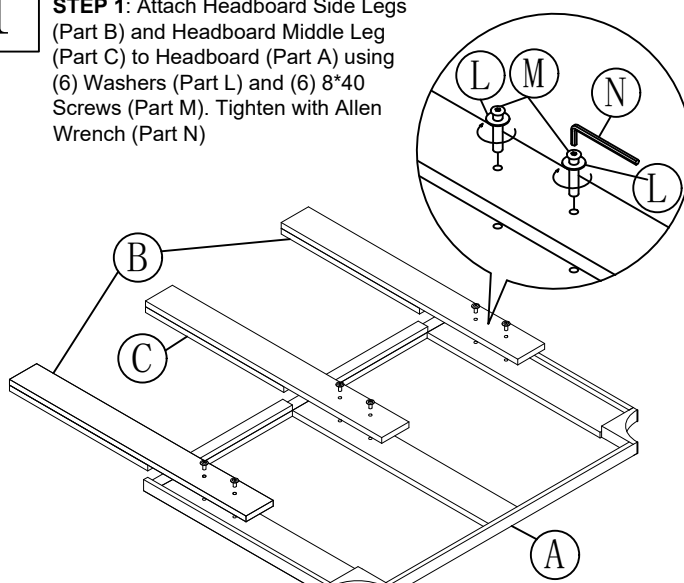
Read this manual before using this product. Failure to follow the instructions and safety precautions in this manual can result in serious injury or death. Keep this manual in a safe location for future reference.

PLATFORM BED FRAME INSTRUCTION

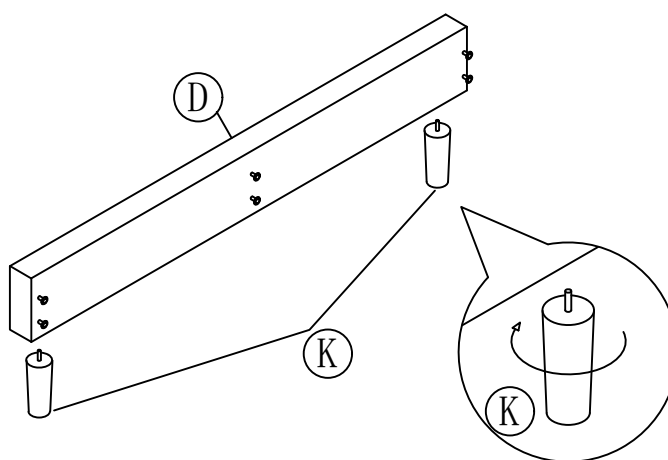
Components

| | | | | | | | | |
|--|---|---|---|---|---|---|--|--|
| (A) Headboard  1pc | (C) Headboard Middle Leg  1pc | (E) Siderails  4pcs | (G) Middle Cross Beam  2pcs | (I) Middle Brace Feet  2pcs | (K) Bed Legs  2pcs | (M) Screw $\phi 8 \times 40$  13pcs | (O) Outer Slat Holders  28pcs | (Q) Support Legs  2pcs |
| (B) Headboard Side Legs  2pcs | (D) Footboard  1pc | (F) Middle Brace  1pc | (H) Middle Leg  1pc | (J) Slats  28pcs | (L) Washer $\phi 8$  13pcs | (N) Allen Wrench  1pc | (P) Middle Slat Holders  14pcs | |

1 **STEP 1:** Attach Headboard Side Legs (Part B) and Headboard Middle Leg (Part C) to Headboard (Part A) using (6) Washers (Part L) and (6) 8*40 Screws (Part M). Tighten with Allen Wrench (Part N)

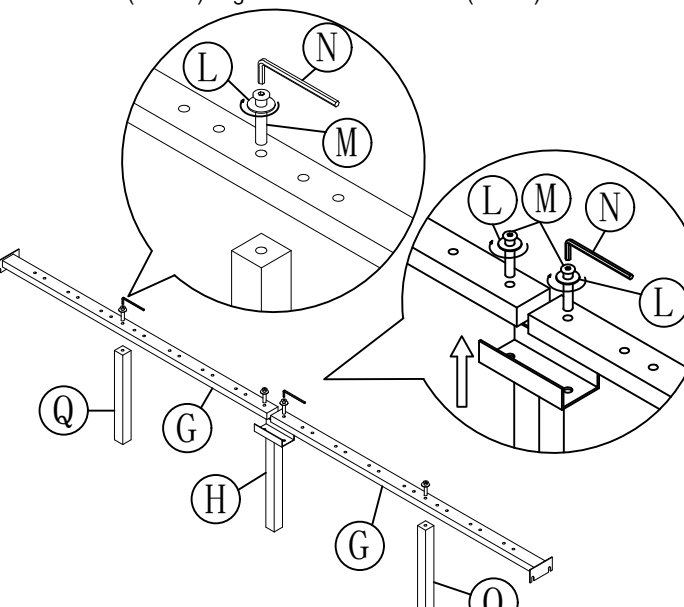


2 **STEP2:** Insert Bed Legs (Part K) into Footboard (Part D) and turn clockwise to tighten.



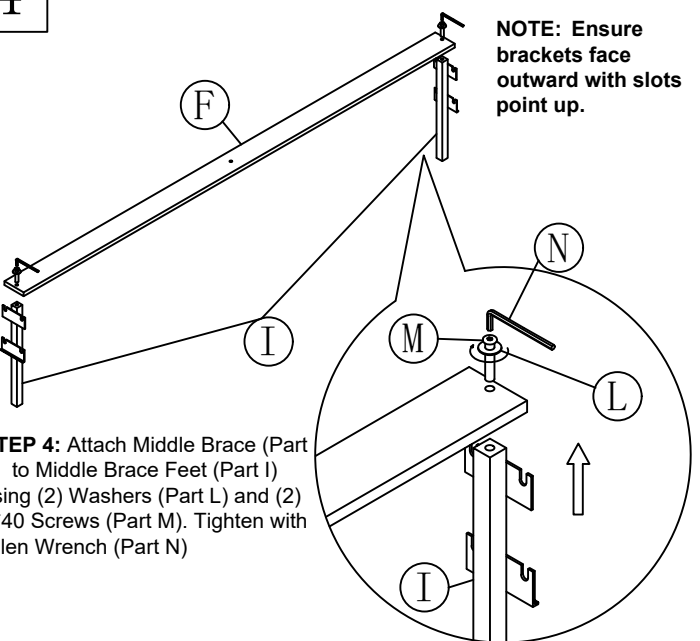
Note: Screws preassembled on the footboard

3 **STEP 3:** Attach Middle Cross Beam (Part G) to Middle Leg (Part H) and Support Leg (Part Q) using (4) Washers (Part L) and (4) 8*40 Screws (Part M). Tighten with Allen Wrench (Part N)

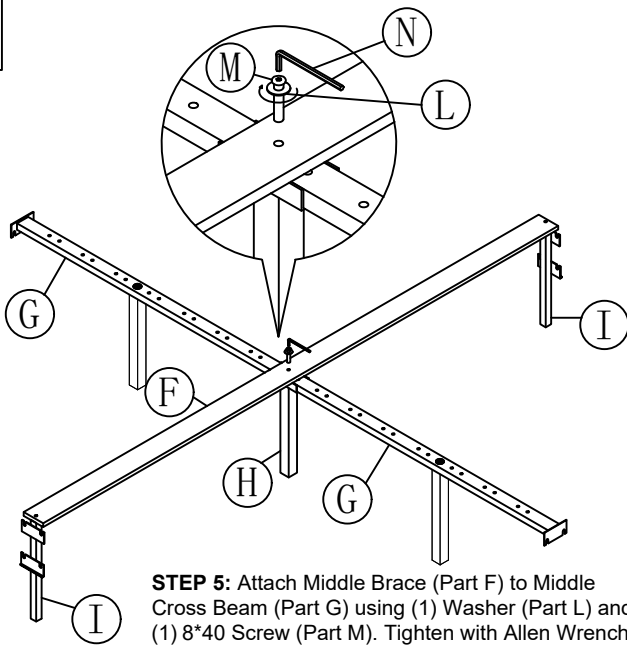


4 **STEP 4:** Attach Middle Brace (Part F) to Middle Brace Feet (Part I) using (2) Washers (Part L) and (2) 8*40 Screws (Part M). Tighten with Allen Wrench (Part N)

NOTE: Ensure brackets face outward with slots point up.



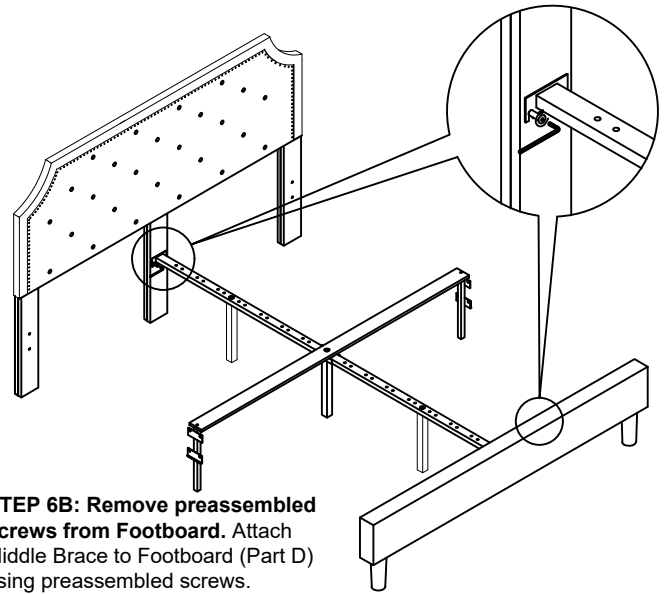
5



STEP 5: Attach Middle Brace (Part F) to Middle Cross Beam (Part G) using (1) Washer (Part L) and (1) 8*40 Screw (Part M). Tighten with Allen Wrench (Part N)

6

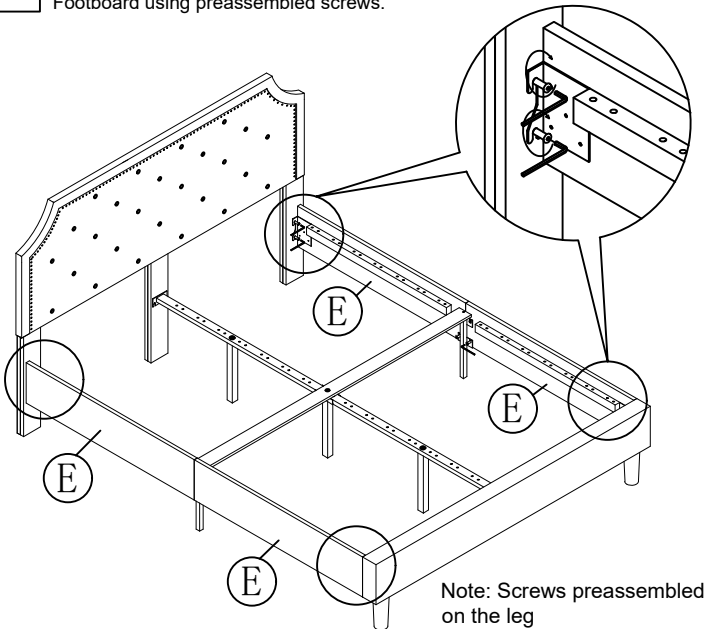
STEP 6A: Remove preassembled screws from middle leg. Attach Middle Cross Beam (Part G) to Middle Headboard Leg using preassembled screws.



STEP 6B: Remove preassembled screws from Footboard. Attach Middle Brace to Footboard (Part D) using preassembled screws.

7

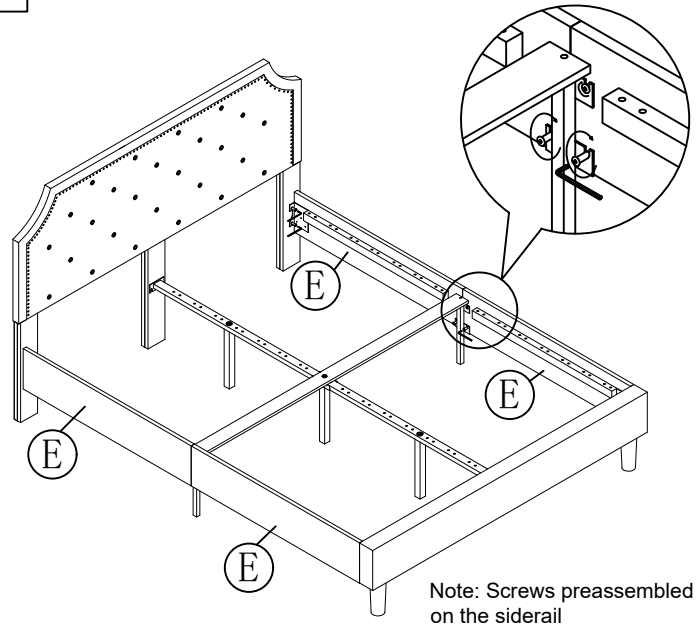
STEP 7: Remove remaining preassembled screws from Headboard Side Legs and Footboard. Attach Siderails (Part E) to Headboard and Footboard using preassembled screws.



Note: Screws preassembled on the leg

8

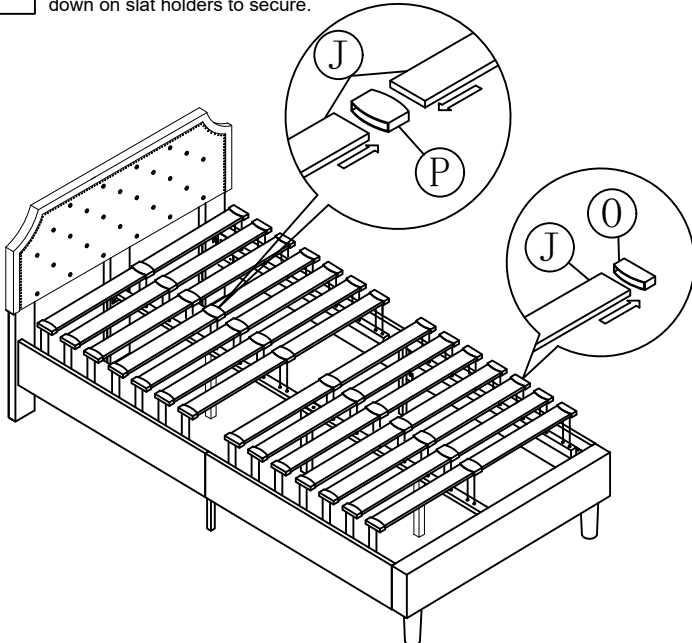
STEP 8: Loosen preassembled screws from Siderails (Part E). Insert screws into the slots of the Middle Legs then tighten screws.



Note: Screws preassembled on the siderail

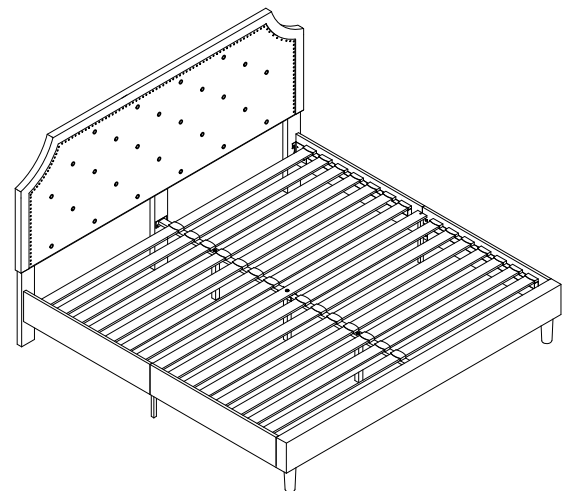
9

STEP 9: Insert (28) Slats (Part J) into the left and right sides of the Middle Slat Holders (Part P). Insert Slats into Outer Slat Holders (Part O). Push down on slat holders to secure.



10

STEP 10: Ensure all screws and slats are secure.



Quality and Safety Guidelines

- Please use this item on a stable, level surface only. If any of the legs of this product are not contacting the flooring surface, do not use. Do not use this item if any instability is detected.
- Carefully follow all of the assembly instructions. If all of the parts are not provided, please do not use this item. Please email us at customerexperience@theubiquegroup.com or call 866-552-2810 for assembly instructions.
- This item is intended for indoor use. Store indoors also.
- Do not drag or slide the bedframe when repositioning it. Team lift the bedframe and move it carefully without sliding the legs in any manner.
- This item is intended for lying down, do not jump, climb or stand on this item.
- Do not use this bed with infants or Children under 12 years old.
- For product longevity, product safety and product integrity, please email us at customerexperience@theubiquegroup.com or call 866-552-2810 for storage instructions.
- Please visit www.theubiquegroup.com for our product warranty details or email us at customerexperience@theubiquegroup.com or call 866552-2810.
- For maintenance instructions and replacement parts, please email us at customerexperience@theubiquegroup.com or call 866-552-2810.
- Please follow the static and dynamic weight capacity limits provided on this item. If you are unsure of the weight capacities for this product, email us at customerexperience@theubiquegroup.com or call 866-552- 2810.
- Please inspect this product regularly to make sure there are no damaged or worn parts. Also inspect to make sure all hardware is tightened correctly and securely. For inspection instructions, please email us at customerexperience@theubiquegroup.com or call 866-552-2810.
- If any parts are damaged or worn, please stop using the product. Repair this product with manufacturer supplied parts only.