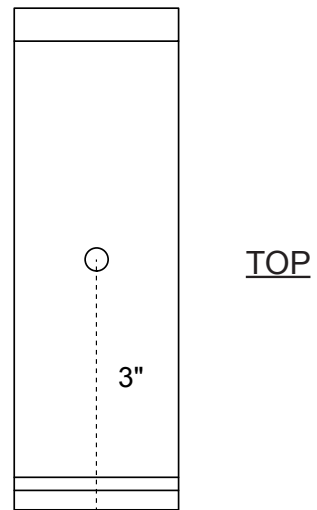
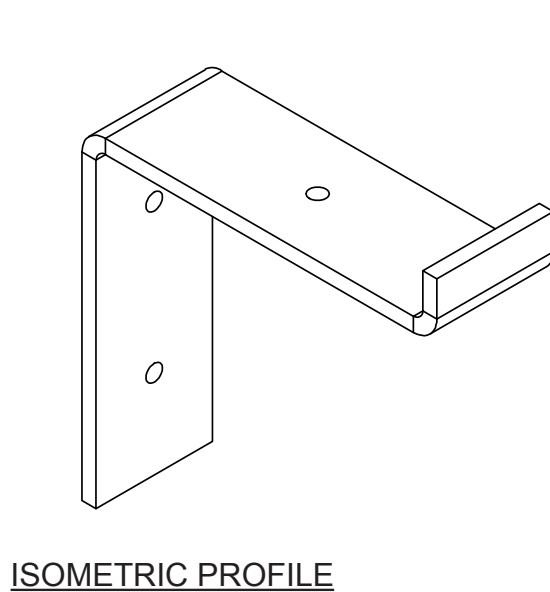
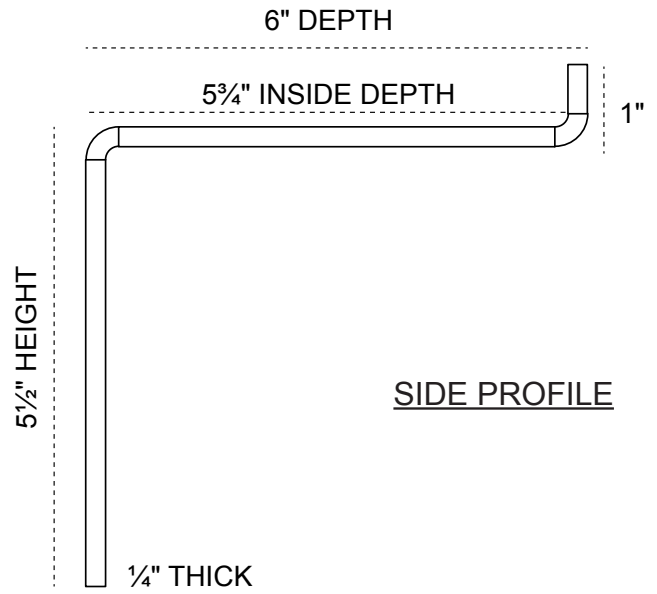
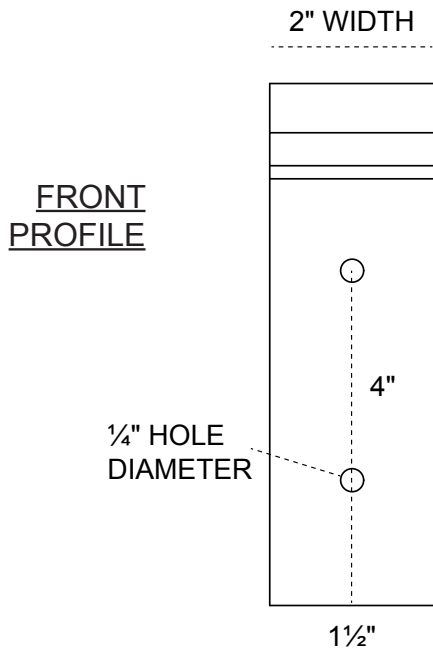


# 2-INCH W X 6-INCH D X 6¼-INCH H TRUSS SHELF BRACKET



**HEAVY-DUTY ¼" THICK**

**AVAILABLE IN:**  
STAINLESS STEEL  
ZINC PLATED STEEL  
POWDER COATED BLACK

**BKTM02X06X06TSSS**  
**BKTM02X06X06TSCRS**  
**BKTM02X06X06TSPBL**

P:866.607.0453 | F: 866.591.3143  
2300 W. Main St. | Clarksville, TX 75426  
sales@ekenamillwork.com | www.ekenamillwork.com



**EKENA**  
MILLWORK