
EN

[Empty grey box for English text]

DE

[Empty grey box for German text]

FR

[Empty grey box for French text]

ES

[Empty grey box for Spanish text]

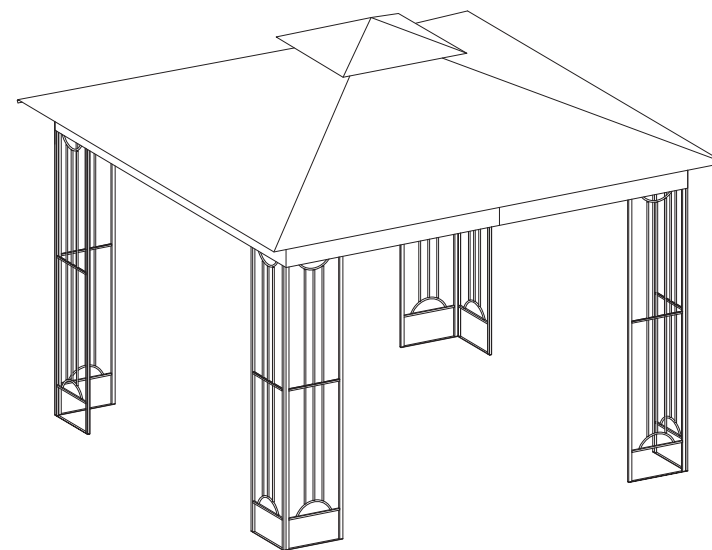
IT

[Empty grey box for Italian text]

PL

[Empty grey box for Polish text]

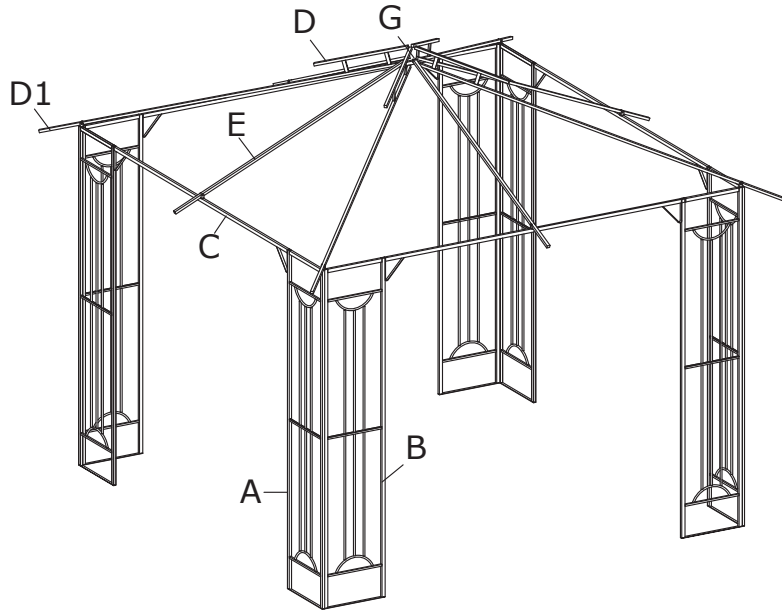
US office: Fontana **UK** office: Ipswich **AU** office: Truganina
DE office: Hamburg **FR** office: Saint Vigor d'Ymonville **PL** office: Gdańsk



USER'S MANUAL

Gazebo NP10353




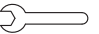
THIS INSTRUCTION BOOKLET CONTAINS **IMPORTANT** SAFETY INFORMATION. PLEASE READ AND KEEP FOR FUTURE REFERENCE.



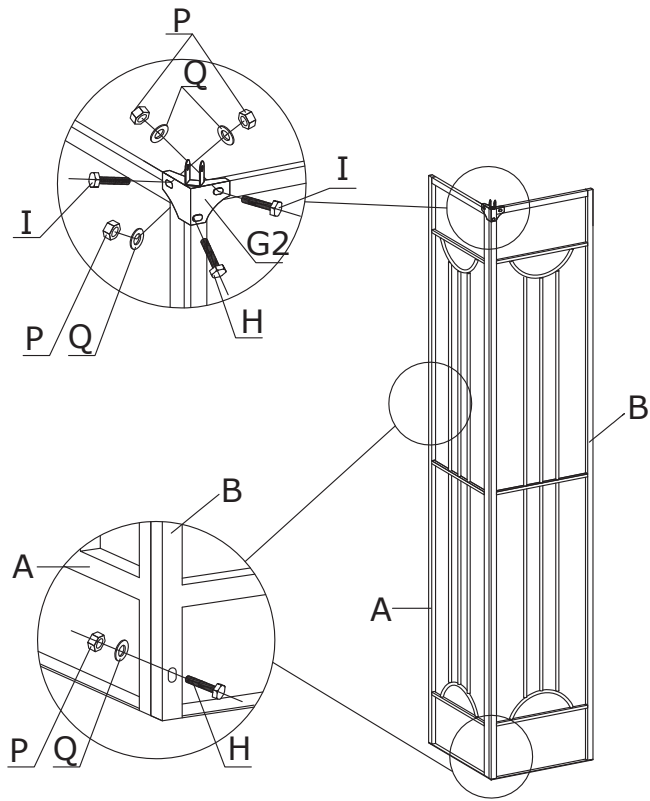
118inch X 118inch

| | | |
|----|--|------|
| A | | 4pcs |
| B | | 4pcs |
| C | | 4pcs |
| D | | 4pcs |
| D1 | | 4pcs |

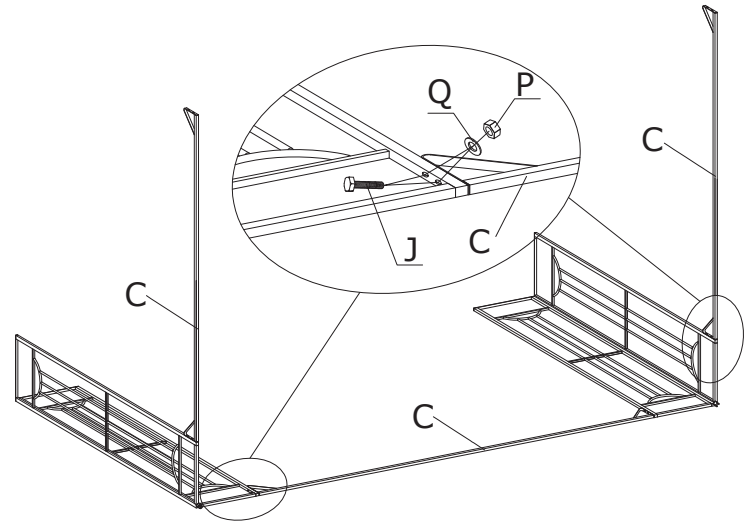
| | | |
|----|---------|--------|
| E | | 4pcs |
| K | | 4pcs |
| G | | 1pc |
| G2 | | 4pcs |
| H | M6x45mm | 12pcs |
| I | M6x25mm | 16pcs |
| J | M6x30mm | 24pcs |
| L | | 104pcs |
| M | M6x16mm | 4pcs |
| N | | 1pc |
| N1 | | 1pc |

| | | |
|---|--|-------|
| P |  | 52pcs |
| Q |  | 52pcs |
| R |  | 8pcs |
| Y |  M6 | 2pcs |

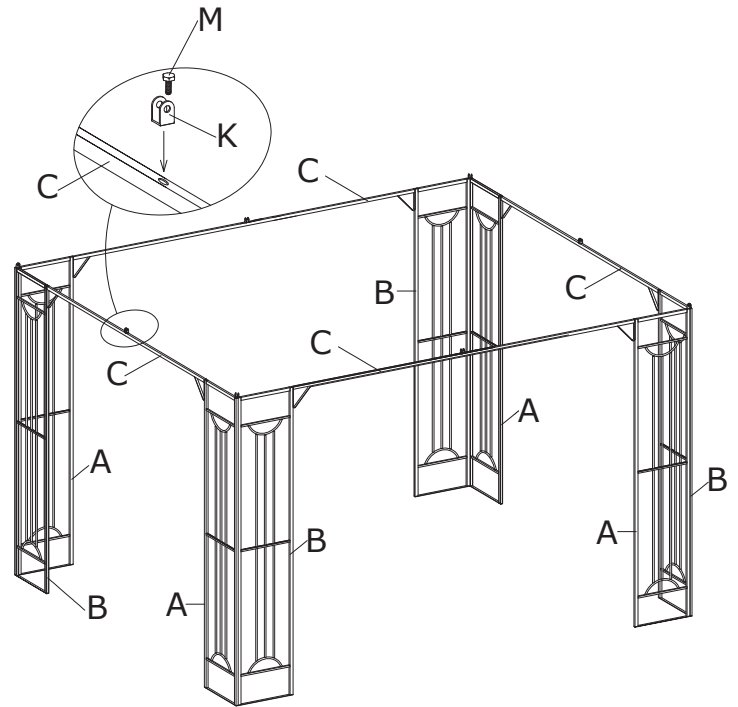
1



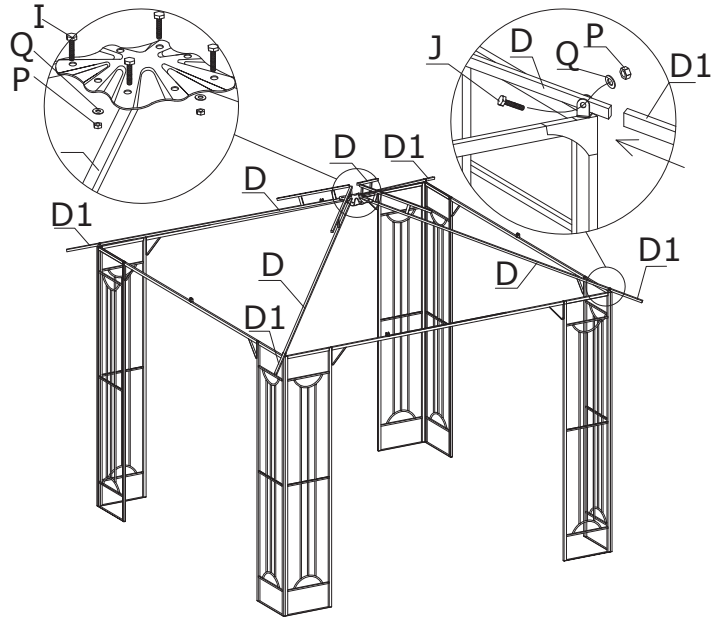
2



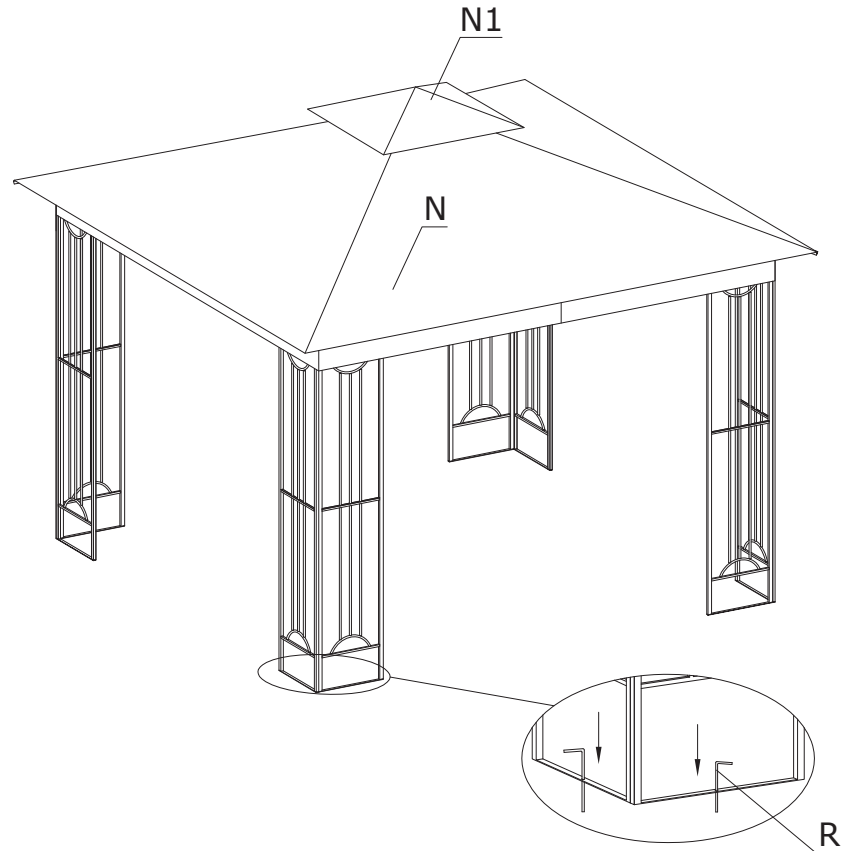
3



4



6



5

