

Electric water heaters

# TRONIC 3000C Pro

Models:US3, US6, US7 & US9



**BOSCH**

- [en] Installation Manual and Operating Instructions 2
- [es] Instrucciones de instalación y funcionamiento 17
- [fr] Instructions d'installation et d'utilisation 33

**IMPORTANT:** This booklet should be given to the customer after installation and demonstration.

**For Service & Installation contact:**

BOSCH Thermotechnology Corp.  
50 Wentworth Avenue, Londonderry  
NH 03053  
Phone 603-552-1100  
[www.bosch-climate.us](http://www.bosch-climate.us)

---

## Table of contents

---

<b>1</b>	<b>Explanation of Symbols and Important Safety Instructions</b> .....	<b>3</b>
1.1	Key to symbols .....	3
1.2	IMPORTANT SAFETY INSTRUCTIONS .....	3
<b>2</b>	<b>Information about the heater</b> .....	<b>3</b>
2.1	Disclaimer .....	3
2.2	Technical identification code .....	4
2.3	Package contents .....	4
2.4	Model name and number identification .....	4
2.5	General description .....	5
2.6	Electrical diagram .....	6
2.7	Function .....	7
<b>3</b>	<b>Regulations</b> .....	<b>8</b>
<b>4</b>	<b>Installation</b> .....	<b>8</b>
4.1	Important information .....	8
4.2	Installing the Tronic 3000C Pro .....	9
4.3	Water connections .....	9
4.4	Electrical connections .....	10
4.5	Securing the unit to the wall .....	11
<b>5</b>	<b>Starting up the Tronic 3000C Pro</b> .....	<b>12</b>
5.1	Sink .....	12
5.2	Adjusting the flow .....	13
<b>6</b>	<b>Troubleshooting</b> .....	<b>13</b>
6.1	For the Installer .....	14
6.2	For the User .....	14
<b>7</b>	<b>Interior components and parts list</b> .....	<b>16</b>

## 1 Explanation of Symbols and Important Safety Instructions

### 1.1 Key to symbols

#### Warnings



Warnings in this document are identified by a warning triangle printed against a grey background.

Keywords at the start of a warning indicate the type and seriousness of the ensuing risk if measures to prevent the risk are not taken.

The following keywords are defined and can be used in this document:

- **NOTICE** indicates a situation that could result in damage to property or equipment.
- **CAUTION** indicates a situation that could result in minor to medium injury.
- **WARNING** indicates a situation that could result in severe injury or death.
- **DANGER** indicates a situation that will result in severe injury or death.

#### Important information



This symbol indicates important information where there is no risk to people or property.

#### Additional symbols

Symbol	Explanation
▶	Step in an action sequence
→	Cross-reference to another part of the document
•	List entry
–	List entry (second level)

Table 1

## 1.2 IMPORTANT SAFETY INSTRUCTIONS

**When using this electrical equipment, basic safety precautions should always be followed, including the following:**

#### ▶ READ AND FOLLOW ALL INSTRUCTIONS.

- ▶ This appliance must be grounded.
- ▶ Disconnect this product from the electrical supply before cleaning, servicing or removing the cover.
- ▶ To reduce the risk of injury, close supervision is necessary when the product is used near children or elderly persons.
- ▶ Warning: Do not install the heater in a location where it may be subject to freezing.
- ▶ Warning: Do not install a check valve or any other types of back flow preventer within six feet of the cold water inlet.
- ▶ The electrical installation must conform to current National Electrical Codes.
- ▶ Warning: Do not switch the heater on if you suspect that it may be frozen. Wait until you are sure that it has completely thawed cut.
- ▶ The Tronic 3000C Pro is designed to heat potable cold water for domestic purposes. Contact Bosch Thermotechnology before specifying or installing the appliance in any other application.

#### Additional Canadian Safety Instructions

- A green terminal (or wire connector marked "G", "GR", "GROUND", or "GROUNDING") is provided within the control box. To reduce the risk of electric shock, connect this terminal or connector to the grounding terminal of the electric service of supply panel with a continuous copper wire in accordance with the Canadian Electrical Code, Part I.
- This product shall be protected by a Class A ground fault circuit interrupter.

#### SAVE THESE INSTRUCTIONS

- ▶ Keep this guide in a safe place once your Tronic 3000C Pro unit has been installed.
- ▶ You may need to refer to it for general instructions or future maintenance.

## 2 Information about the heater

### 2.1 Disclaimer

#### 2.1.1 Approval number

#### Commonwealth of Massachusetts

As a condition of installing this product in the Commonwealth of Massachusetts a pressure relief valve shall be installed on

## 4 | Information about the heater

the cold water side, by a licensed plumber MGL 142 Section 19.

(Approval number: P1-09-25).

### 2.2 Technical identification code

US	3 - 1	M	W	I	H	B
US	6 - 1	M	W	I	H	B
US	7 - 1	M	W	I	H	B
US	9 - 1	M	W	I	H	B

Table 2

[US] Electronic Instantaneous

[3] Maximum output (kW)

[M] Mechanical temperature control

[W] Wall hung

[I] Indoor

[H] Horizontal installation

[B] Water connections

### 2.3 Package contents

- Electric water heater
- 4 No. 8 wood screws

### 2.4 Model name and number identification

Model Name	Model Number
Tronic 3000C Pro	US 3-1 Pro M W I H B
Tronic 3000C Pro	US 6-1 Pro M W I H B
Tronic 3000C Pro	US 7-1 Pro M W I H B
Tronic 3000C Pro	US 9-1 Pro M W I H B

Table 3

## 2.5 General description

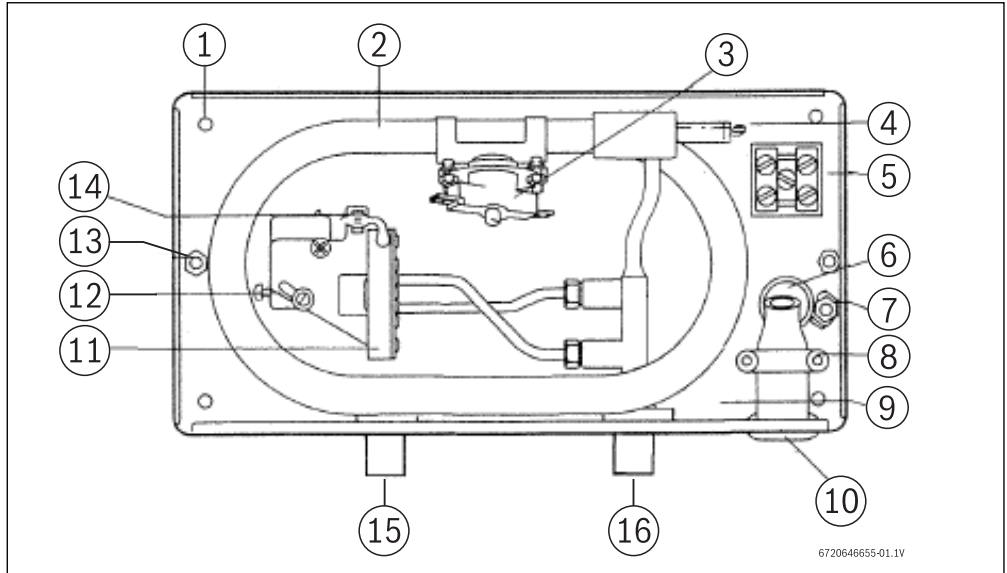


Fig. 1

- [1] Mounting hole
- [2] Heat exchanger tube
- [3] Thermal cut-out (manual re-set)
- [4] Heating elements
- [5] Terminal block
- [6] Cable rear entry
- [7] Ground stud
- [8] Cable clamp
- [9] Filter and water pipe mounting
- [10] Cable side entry
- [11] Flow switch
- [12] Power selector
- [13] Cover fixing screw
- [14] Neon light
- [15] Outlet
- [16] Inlet

## 2.6 Electrical diagram



**DANGER:** Risk of electric shock!

- ▶ Always switch off the electrical supply to the unit before removing cover or performing any maintenance and service.

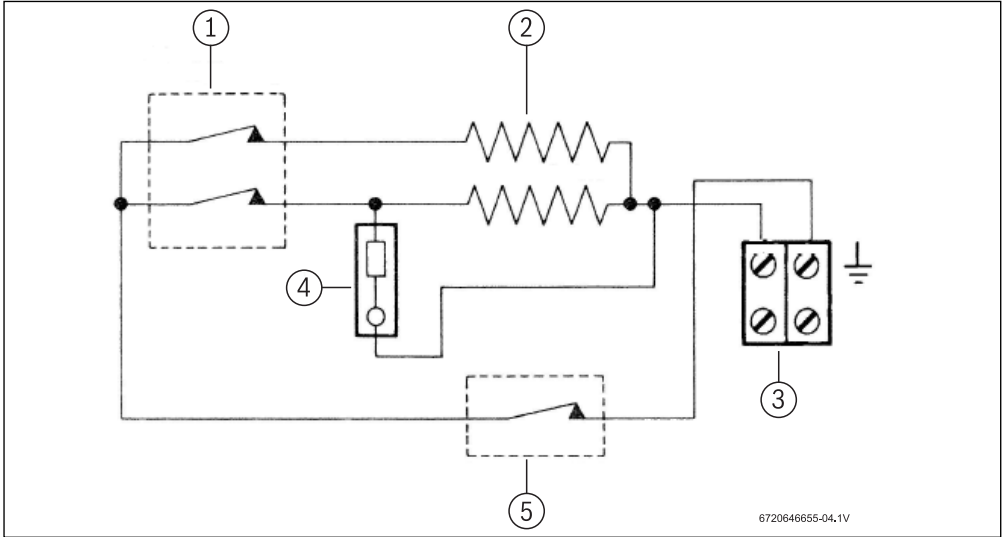


Fig. 2 Internal wiring plan

- [1] Power selector and flow switch
- [2] Heating elements
- [3] Electrical supply
- [4] Neon
- [5] Manual reset Thermal cut-out

## 2.7 Function

How the water heater works:

- Water comes in through the cold water inlet.



The heater is designed for cold water supply only. Do not supply with pre-heated water.

- The flow switch senses how much water is passing through the unit. If it detects more than the preset level, the unit's heating elements switch on. This is shown by the neon light glowing.
- The water is heated instantly as it passes through the copper heat exchanger tube.

The temperature of the water coming out of the unit depends on:

- The voltage of the electrical supply,
- The temperature of the incoming water supply,
- The setting of the power selector,
- The flow rate,
- The power rating of the unit.

- Depending on the region of the country, the temperature of the water supply can vary between 40 °F in winter to 70 °F in summer, with an average of 50 °F.

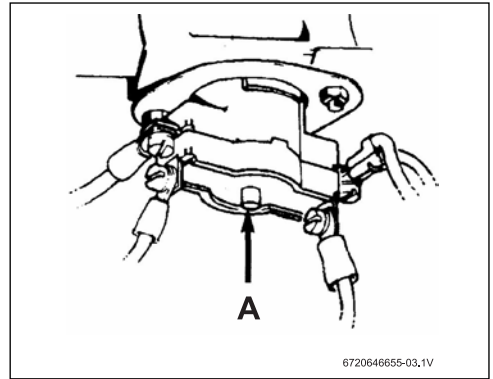


Fig. 3

[A] Manual reset thermal cut out

The table below shows the rise in water temperature you can expect from the unit:

Model	Volts	Amps	Element Resistance	High Setting	Low Setting	Temperature Rise (deg F) at Flow Rate (GPM)					
						0,5 GPM	0,75 GPM	1,0 GPM	1,5 GPM	2,0 GPM	2,5 GPM
US9	240	40	2x12 Ω	9,5kW	-	NA	84F	64F	42F	32F	NA
US9	240	20	1x12 Ω	-	4,75kW	NA	42F	32F	21F	16F	NA
US9	208	35	2x12 Ω	7,1kW	-	NA	64F	48F	32F	24F	NA
US9	208	18	1x12 Ω	-	3,5kW	NA	32F	24F	16F	12F	NA
US6	277	22	2x25 Ω	6,0kW	-	81F	55F	42F	27F	NA	NA
US6	277	11	1x25 Ω	-	3,0kW	41F	28F	21F	14F	NA	NA
US3	120-110	27	2x8 Ω	3,4-3,0kW	-	41F	28F	20F	NA	NA	NA
US7	240-220	30	2x16 Ω	7,2-6,1kW	-	NA	63F	48F	32F	24F	NA
US7	240-220	15	1x16 Ω	-	3,6-3,05kW	NA	32F	24F	16F	12F	NA

Table 4

### Manual reset thermal cut-out

The unit has a thermal cut-out (→Fig. 1 ) which is mounted on the heat exchanger tube. This will switch off the heater elements if the water temperature goes above 194 °F.

If the cut-out trips it will need to be reset manually inside the unit. This cut-out will only operate in exceptional circumstances (→Fig. 3 ). Call your service person or Bosch Water Heating if this happens frequently.

### 3 Regulations

Any local by-laws and regulations pertaining to installation and use of electric water heater appliances must be observed. Please refer to the laws that should be attended in your country.

- The electrical installation must conform to current National Electrical Codes.
- To reduce the risk of electrical shock, connect this terminal or connector to the grounding terminal of the electrical service of supply panel with a continuous copper wire in accordance with the Canadian Electrical Code, Part I.
- This product shall be protected by a Class A ground fault circuit interrupter.
- In the Commonwealth of Massachusetts a licensed plumber or electrician must perform the installation. (Approval number: P1-09-25).
- In the Commonwealth of Massachusetts a pressure relief valve shall be installed on the cold water side by a licensed plumber. (MGL 142 Section 19, Approval number P1-09-25).
- The unit must be wired by a qualified electrician, in accordance with the current version of the National Electrical Code US) or Canadian Electric Code (Canada).
- When the heater is not within sight of the electrical circuit breakers, a circuit breaker lockout or additional local means of disconnection for all non-grounded conductors must be provided that is within sight of the appliance. (Ref NEC 422.31.).
- The power cable size and the installation must be in accordance with the Canadian Electrical Code, C22.1-02.



**WARNING:**

California Proposition 65 lists chemical substances known to the state to cause cancer, birth defects, death, serious illness or other reproductive harm. This product may contain such substances, be their origin from fuel combustion (gas, oil) or components of the product itself.

### 4 Installation



**DANGER:** Risk of electric shock!

- ▶ For safety reasons, disconnect the power supply to the heater before any service or testing is performed.



**WARNING:**

- ▶ This heater must be electrically grounded in accordance with the most recent edition of the National Electrical Code. NFPA 70. In Canada, all electrical wiring to the heater must be in accordance with local codes and the Canadian Electrical Code, CSA C22.1 Part 1.

#### 4.1 Important information



**DANGER:**

- ▶ The installation must only be performed by a qualified person in accordance with these instructions.
- ▶ Bosch Thermotechnology Corp. is not responsible for improperly installed appliances.



**WARNING:**

- ▶ The heater must only be wall mounted and positioned with the water connections located either at bottom or the right side of the unit see Fig. 6. Under no circumstances should the heater be mounted differently.

Please follow these instructions. Failure to follow instructions may result in:

- Damage or injury.
- Improper installation/operation.
- Loss of warranty.



### 4.1.1 Freeze prevention



#### WARNING:

- ▶ ELECTRICITY IS EXTREMELY DANGEROUS. TAKE EXTRA PRECAUTIONS AND ENSURE ALL CIRCUIT BREAKERS ARE OFF BEFORE PERFORMING ANY WORK TO THE HEATER.

#### Introduction

Please note that the installation manual states that the water heater must not be installed in a location where it may be exposed to freezing temperatures. If the heater must be left in a space that is likely to experience freezing temperatures, all water must be drained from the heater.

**Freeze damage is not covered under the warranty.**



Use of agents like anti-freeze are not allowed as they may cause damage to the water heater's internal components.

#### Draining the heater

Due to the shape of the heat exchangers and connecting pipe, it is extremely difficult to get all of the water out of the heater. Follow the procedure below to best minimize the chance of freezing:

- ▶ Disconnect electric supply.
- ▶ Disconnect cold and hot water pipes from fittings on bottom of heater. Allow water to drain out (have a catch basin ready).
- ▶ After allowing all water to drain out, the heater should be blown out with low pressure compressed air to remove as much water as possible from water heater modules. Bursts of air work better than continuous flow.

Remember, these suggestions are only made to help minimize the potential for freeze damage and are not to be construed as the guaranteed method for dealing with freeze possibilities.

### 4.2 Installing the Tronic 3000C Pro



#### WARNING:

- ▶ Do not install the Tronic 3000C Pro in a room where there is a chance of freezing.

#### NOTICE:

- ▶ Read entire instructions.
- ▶ Check the pressure of the main water supply.

**To operate correctly the unit needs the following running pressures:**

Sink

- Min: 10 psi (0,7 bar)
- Max: 150 psi (10,3 bar)

### 4.3 Water connections

- ▶ The unit should be connected directly to the main cold water supply and not to pre- heated water. The unit should be installed with service valves on both the inlet and outlet. These valves can be used to turn off the water supply to the unit if it needs servicing, or to reduce the water flow if it is too high.
- ▶ We recommend that you use ½" copper or high pressure flex connections.
- ▶ Use Teflon tape for sealing pipe threads. Do NOT use pipe dope.
- ▶ Remember to keep the hot water pipe runs as short as possible. In some cases it may be worth fitting a second unit to serve an additional fixture.
- ▶ The inlet and outlet are clearly marked on the unit. They each have a ½" NPT connector.
- ▶ If the unit is to supply a sink, we recommend that you use aerators, which you can get from your local distributor/ dealer.
- ▶ If the unit is to supply more than one sink, the aerator should be the same at each tap if they are to be used at the same time. If not, one outlet will take all the water.
- ▶ After the unit has been plumbed in, and before you wire it, flush it with water to remove any debris or loose particles. Failure to do so may make the unit inoperable.



As a condition of installing this product in the Commonwealth of Massachusetts a pressure relief valve must be installed on the cold water side by a licensed plumber. MGL 42 Section 19.

Approval number: P1-09-25

### 4.3.1 Water quality

Water quality can have an impact on appliance longevity and may not be covered under the manufacturer's warranty.

- ▶ For water analysis data call your local water department, or if on a well, have well water analyzed periodically. If water quality exceeds one or more of the values specified below, Bosch recommends consulting a local water treatment professional for water softening/conditioning options.

Description	Max. Levels	
pH	pH	6.5 - 8.5
TDS (total Dissolved Solids)	mg/l or ppm	500
Total hardness	mg/l or ppm	100 (6 grains)
Aluminum	mg/l or ppm	2.0
Chlorides	mg/l or ppm	250
Copper	mg/l or ppm	1.0
Iron	mg/l or ppm	0.3
Manganese	mg/l or ppm	0.05
Zinc	mg/l or ppm	5.0

Table 5

### 4.4 Electrical connections



**WARNING:**

- ▶ The unit must be installed by a qualified electrician.
- ▶ The unit must be grounded.
- ▶ Connect the unit to power.

Model	Rated Voltage (V)	Rated Current (A)	Recommend Wire Size (AWG)
US3	110	30	10
US6	277	25	10
US7	240	30	10
US9	208	35	8
US9	240	40	8

Table 6

**NOTICE:**

When the Tronic 3000C Pro is not within sight of the electrical circuit breakers, a circuit breaker lockout or additional local means of disconnection for all non grounded conductors must be provided that is within sight of the appliance. (REF NEC 422.31)

#### Connecting the unit to power

- ▶ Strip back the insulation on the power wires about 3/8". Any insulation on the ground should be stripped back about 3/4".
- ▶ Feed the cable through the cover bottom or backplate rear entry grommets, as appropriate.
- ▶ Connect the cables to the terminal block and ground stud (Fig. 4):

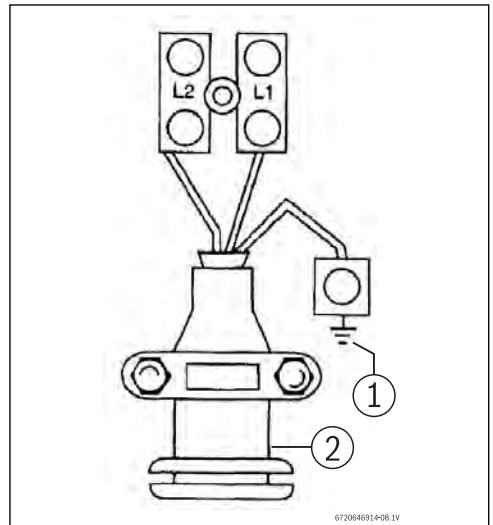


Fig. 4 Cable termination

- [1] Ground
- [2] Rubber sleeve

- ▶ Make sure that all the terminal block screws are tightened securely. Loose connections can cause wires to heat up.
- ▶ Make sure that the ground wire is wrapped around its terminal stud and into the saddle washer. The nut should be tightened securely.

- ▶ Set the Power Selector Screw (Fig. 5 ) on the desired setting. If it is set to LO, only one heating element will operate and the output will be half power. See the →Table 4 on page 7 for temperature rise at various flow rates. If the element is set on HI, both heating elements will operate and the output will be full power. When setting the Power Selector Screw, it is important that the screw be adjusted all the way to the end of the slot and that it be well tightened.

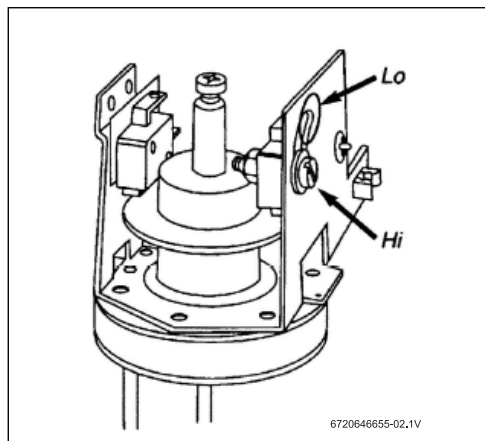


Fig. 5 Power selector screw

- ▶ Attach the front cover and tighten the retaining screws.

## 4.5 Securing the unit to the wall

### 4.5.1 Deciding the position

- ▶ If being used in a public place, position the unit out of reach to discourage vandalism.
  - ▶ Mount the unit onto a flat section of wall, well away from any potential splashes of water or spray.
  - ▶ Mount only as shown in Fig. 6, Fig. 7 and Fig. 8 with the water connections located either at the right side, left side or bottom of the unit.
- Remember to keep the lengths of hot water pipe to a minimum in order to save energy.
- ▶ If the unit is to supply a sink, you can fit it either above or below the sink.

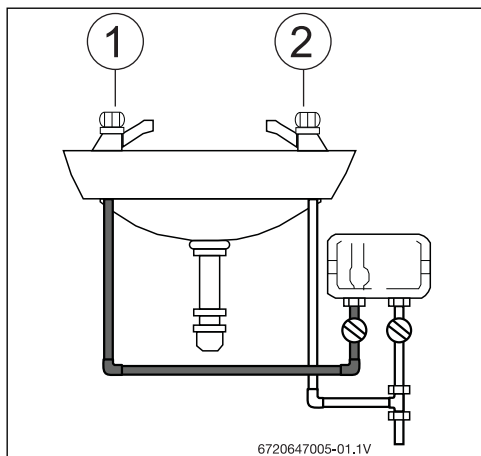


Fig. 6 Example of installation (front view)

- [1] Hot water
- [2] Cold water

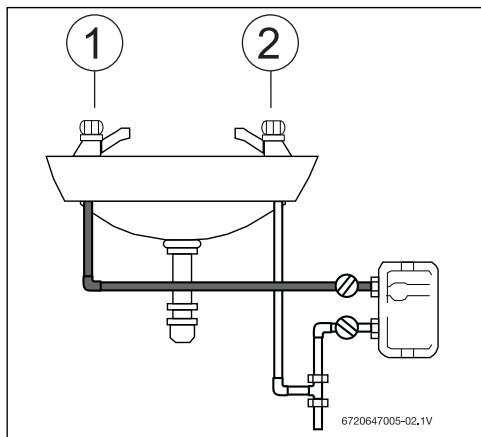


Fig. 7 Example of installation (front view)

- [1] Hot water
- [2] Cold water

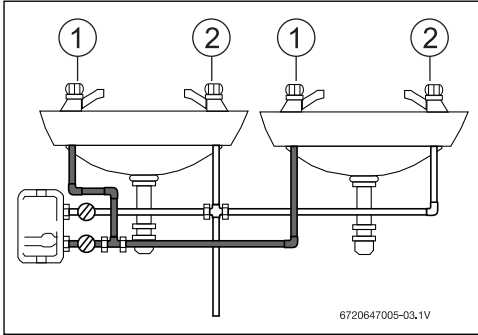


Fig. 8 Example of installation (front view)

- [1] Hot water
- [2] Cold water

#### 4.5.2 Deciding the wiring route

You have a choice of whether to feed the electric cable through the cover bottom or through the back of the unit.

- ▶ If it is going to be through the cover bottom, cut out the plastic lug to expose the rubber sleeve (Fig. 9 ):

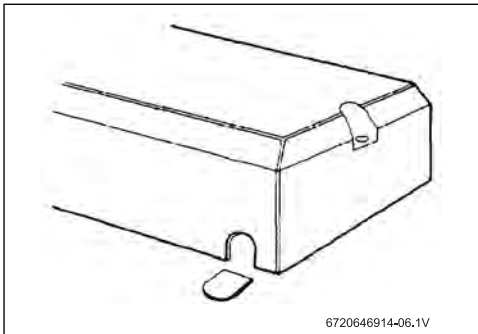


Fig. 9 Cover lug cut out

- ▶ If it is going through the back of the unit, cut through the grommet on the backplate with a sharp knife. Make sure that you do not remove the grommet from the backplate (Fig. 10 ):

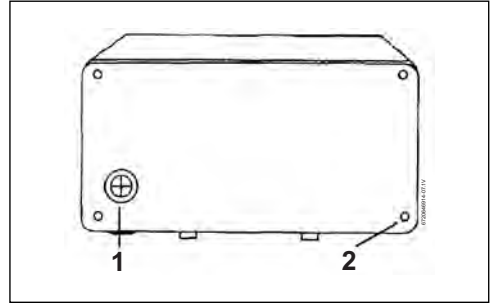


Fig. 10 Back of unit

- [1] Grommet
- [2] Fixing holes

- ▶ Feed the cable through the grommet before you mount the unit to the wall. If you are using an approved cable fitting, remove the grommet.

#### 4.5.3 Mounting on the wall

- ▶ Undo the retaining screws on the cover and take the cover of the unit. Hold the backdate in position against the wall while you mark the four mounting holes.
- ▶ Drill the holes and secure the unit to the wall using the four no. 8 wood screws supplied.



**WARNING:**

- ▶ Do not install a non-return check valve within 6 feet of the inlet.

## 5 Starting up the Tronic 3000C Pro



**WARNING:**

- ▶ Do not use the unit if you think it may be frozen, as this could result in serious damage to the unit. Wait until you are sure it has completely thawed out before you switch it on.

### 5.1 Sink



**WARNING:**

Before turning on power:

- ▶ Open cold water shutoff valve to the unit and turn on all hot water taps supplied by the unit. Flow water out the tap(s) until all air has purged from the unit and plumbing.

- ▶ Check that the power is switched on at the circuit breaker panel.
- ▶ Turn on the hot tap FULLY.  
If you do not turn the tap full on, you will find that the temperature of the water may vary. The hot water temperature can then be set by adjusting the flow.

If the unit has been used recently:

- ▶ run the water through for a few seconds to let the temperature settle down.  
If the unit has been used recently, You may initially get a short burst of very hot water from the unit.

If a second tap connected to the unit is also turned on, the hot water will be shared between the two, therefore the flow and/ or the temperature of the water will decrease.

## 5.2 Adjusting the flow

### Checking for leaks

- ▶ Ensure the service valves are open and check that no pipe joints leak.
- ▶ Turn on the hot tap fully at the sink.
- ▶ Adjust the outlet service valve until the water comes out of the tap at the required temperature, (increase flow for cooler, decrease for hotter). → Refer to Table 4 , page 7 for expected temperature rise at given flow rates.
- ▶ Check that the unit works correctly when the sink tap is closed and then opened again; if not adjust the service valve slightly.
- ▶ The inlet service valve should not be used to regulate temperature.



When using the hot water at a fixture, open tap fully. To regulate hot water temperature, adjust water flow accordingly as directed in Section 5.2.

#### NOTICE:

If the unit is servicing a single lever faucet you may need to restrict the cold water supply to the faucet to balance water pressure and improve performance.

#### NOTICE:

- ▶ Before leaving the site, the installer should demonstrate the unit to the user and give him/her this guide.

## 6 Troubleshooting



**WARNING:** Always switch off the electricity supply to the unit before you remove the cover.

If the problem persists:

The person who initially installed the unit is probably the best one to contact for help. You can also call Bosch Thermotechnology Corporation at 603-552-1100 or visit [www.bosch-climate.us](http://www.bosch-climate.us). Please have this guide with you when you call.

## 6.1 For the Installer

Symptom	Cause	What to do
Cold water only -neon light off.	Electricity not on.	Check electrical supply.
	The water supply is connected to the OUTLET of the unit.	Reconnect the water supply to the INLET (marked in blue).
	The high temperature thermal cut out has tripped.	Reset it by opening the unit and pushing the button on the cut out (→Fig. 3 ). Before you do this you must find the cause of the problem.
	The flow switch is not working.	Turn off the power and observe if the flow switch activates when the water is turned on. If not contact Bosch Thermotechnology 603-552-1100 <a href="http://www.bosch-climate.us">www.bosch-climate.us</a>
Water too cold -neon light on.	Water flow too high.	Adjust water flow (→see Table 4 ).
	The power selector screw not all the way to "HI".	Change the power select screw to "HI", →see Fig. 5 .
	One element is not working.	Switch off the electricity and check the resistance of the elements (→see Table 4 ).
	The power supply voltage has dropped.	Check the supply voltage to the heater (→see Table 4 ).
Water flow too low, or temperature too high.	There are restrictions in the plumbing.	Check the plumbing. Only use Teflon tape for sealing pipe joints.

Table 7

## 6.2 For the User

Symptom	Cause	What to do
Little or no water flows.	The water supply is turned off.	Turn on the main supply fully at the stop valve.
Cold water only -neon light off.	The flow is not high enough to activate.	Open the inlet service valve fully.
Water too cold -neon light on.	The water flow rate is too high.	Adjust the flow rate with hot water outlet service valve.
	The inlet water temperature has dropped.	Adjust the flow rate with hot water outlet service valve.
Water flow rate too low, or temperature too high.	The main supply of water flow is too low.	Increase the water flow.
	The hot tap is not fully open.	Adjust the stop/ball valve so that water is at the right temperature with the tap fully open (→see section 5.2). Always turn the hot tap full on.

Table 8

Symptom	Cause	What to do
Water temperature fluctuates.	Fluctuating water pressure and/or flow is causing the flow switch to cycle on and off.	Increase the flow rate.
		Be sure that the isolation valves are properly adjusted.
		Be sure that the inlet filter screen is clean.
		Be sure that the outlet restrictors and aerators on showers and/or faucets are clear.
		Be sure that there is no plumbing crossover by shutting off the inlet isolation valve and opening an hot water outlets served by the Tronic 3000C Pro. If there is a steady flow, then cold water is flowing into hot water service lines and back-pressuring the Tronic 3000C Pro. This condition must be fixed or the heater will not work properly.

Table 8

## 7 Interior components and parts list

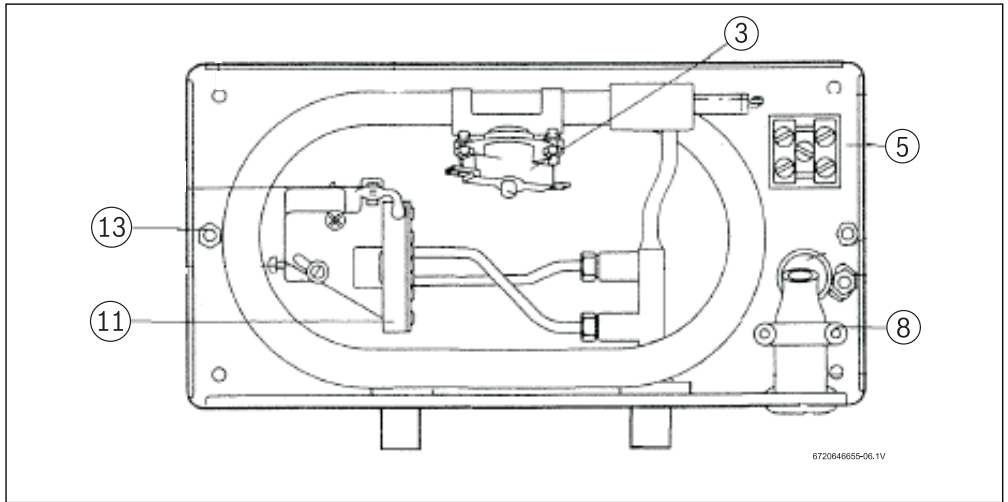


Fig. 11

Number	Code	Comp. description
3	8-738-700-866-0	Thermal Cut-Out Assembly (Manual Re-set)
5	8-738-700-869-0	Terminal Block
8	8-738-701-695-0	Cable Clamp and Rubber Boot
11	8-738-700-865-0	Flow Switch
13	8-738-700-862-0	Cover Retaining Screws
---	8-738-701-708-0	Front Cover Grey - not shown

Table 9

For further information ask your local dealer.

FOR SERVICE AND INSTALLATION QUESTIONS CALL:

Tel: 603-552-1100

Fax: 603-965-7581

### Bosch Thermotechnology Corporation

Bosch Thermotechnology Corp.

50 Wentworth Avenue

Londonderry, NH 03053

Phone 603-552-1100

Fax 603-965-7581

[www.bosch-climate.us](http://www.bosch-climate.us)

[techsupport@bosch-climate.us](mailto:techsupport@bosch-climate.us)



## Tabla de contenidos

<b>1</b>	<b>Explicación de los símbolos e instrucciones importantes de seguridad</b> .....	<b>18</b>
1.1	Explicación de los símbolos .....	18
1.2	INSTRUCCIONES IMPORTANTES DE SEGURIDAD .....	18
<b>2</b>	<b>Información sobre el calentador</b> .....	<b>19</b>
2.1	Exención de responsabilidad .....	19
2.2	Identificación del código técnico .....	19
2.3	Contenido del paquete .....	19
2.4	Identificación de nombre y número de modelo .....	19
2.5	Descripción general .....	20
2.6	Diagrama eléctrico .....	21
2.7	Función .....	22
<b>3</b>	<b>Reglamentos</b> .....	<b>23</b>
<b>4</b>	<b>Instalación</b> .....	<b>23</b>
4.1	Información importante .....	23
4.2	Instalación del Tronic 3000C Pro .....	24
4.3	Conexiones de agua .....	24
4.4	Conexiones eléctricas .....	25
4.5	Asegurar la unidad a la pared .....	27
<b>5</b>	<b>Puesta en marcha del Tronic 3000C Pro</b> .....	<b>28</b>
5.1	Fregadero .....	28
5.2	Ajuste del flujo .....	28
<b>6</b>	<b>Solución de problemas</b> .....	<b>30</b>
6.1	Para el Instalador .....	30
6.2	Para el Usuario .....	31
<b>7</b>	<b>Componentes interiores y lista de piezas</b> .....	<b>32</b>

## 1 Explicación de los símbolos e instrucciones importantes de seguridad

### 1.1 Explicación de los símbolos

#### Advertencias



Las advertencias están marcadas en el texto con un triángulo. Adicionalmente las palabras de señalización indican el tipo y la gravedad de las consecuencias que conlleva la inobservancia de las medidas de seguridad indicadas para evitar riesgos.

Las siguientes palabras de señalización están definidas y pueden utilizarse en el presente documento:

- **AVISO** advierte sobre la posibilidad de que se produzcan daños materiales.
- **ATENCIÓN** advierte sobre la posibilidad de que se produzcan daños personales de leves a moderados.
- **ADVERTENCIA** advierte sobre la posibilidad de que se produzcan daños personales de graves a mortales.
- **PELIGRO** advierte sobre daños personales de graves a mortales.

#### Información importante



La información importante que no conlleve riesgos personales o materiales se indicará con el símbolo que se muestra a continuación.

#### Otros símbolos

Símbolo	Significado
▶	Procedimiento
→	Referencia cruzada a otro punto del documento
•	Enumeración/punto de la lista
–	Enumeración/punto de la lista (2.º nivel)

Tab. 10

## 1.2 INSTRUCCIONES IMPORTANTES DE SEGURIDAD

**Al utilizar equipos eléctricos, se deben seguir la precauciones básicas de seguridad, incluyendo las siguientes:**

- ▶ **LEA Y SIGA TODAS LAS INSTRUCCIONES.**
- ▶ Este aparato debe estar conectado a tierra.
- ▶ Desconecte este producto del suministro eléctrico antes de limpiarlo, darle servicio o quitar la cubierta.
- ▶ Para reducir el riesgo de lesiones, es necesaria una estrecha supervisión cuando el producto se utiliza cerca de niños o personas mayores.
- ▶ Advertencia: Instalación en interiores solamente, donde no quede expuesto a la congelación.
- ▶ Advertencia: No instale una válvula de retención o cualquier otro tipo de limitador de caudal de retorno dentro de seis pies de la entrada de agua fría.
- ▶ La instalación eléctrica debe ser conforme a los actuales Códigos Eléctricos Nacionales.
- ▶ Advertencia: No encienda el calentador si sospecha que puede estar congelado. Espere hasta estar seguro de que se funda completamente descongelado.
- ▶ El Tronic 3000C Pro está diseñado para calentar agua fría potable para uso doméstico. Contacte a Bosch Thermotechnology antes de especificar o instalar el aparato en cualquier otra aplicación.

#### Instrucciones adicionales canadienses de seguridad

- Una terminal verde (o conector con la marca "G", "GR", "TIERRA", o "TIERRA") se proporciona dentro de la caja de control. Para reducir el riesgo de descargas eléctricas, conecte esta terminal o conector a la terminal de tierra del servicio eléctrico del panel de alimentación con un cable de cobre, de conformidad con el Código Eléctrico Canadiense, Parte I.
- Este producto estará protegido por un interruptor diferencial Class A.

#### GUARDE ESTAS INSTRUCCIONES

- ▶ Guarde esta guía en un lugar seguro una vez que su unidad Tronic 3000C Pro ha sido instalada.
- ▶ Es posible que tenga que referirse a ella para consultar las instrucciones generales o de mantenimiento futuro.

## 2 Información sobre el calentador

### 2.1 Exención de responsabilidad

#### 2.1.1 Número de aprobación

##### Estado de Massachusetts

Como condición para instalar este producto en el Estado de Massachusetts se debe instalar una válvula de alivio de presión en el lado del agua fría, por un plomeroMGL 142 Sección 19. (Número de autorización: P1-09-25).

### 2.2 Identificación del código técnico

US	3 - 1	M	W	I	H	B
US	6 - 1	M	W	I	H	B
US	7 - 1	M	W	I	H	B
US	9 - 1	M	W	I	H	B

Tab. 11

[US] Electrónica Instantánea

[3] Máxima salida (kW)

[M] Control mecánico de temperatura

[W] Colgado a la pared

[I] Interior

[H] Instalación horizontal

[B] Conexiones de agua

### 2.3 Contenido del paquete

- Calentador de agua eléctrico
- 4 tornillos para madera N° 8

### 2.4 Identificación de nombre y número de modelo

Nombre de modelo	Número de modelo
Tronic 3000C Pro	US 3-1 Pro M W I H B
Tronic 3000C Pro	US 6-1 Pro M W I H B
Tronic 3000C Pro	US 7-1 Pro M W I H B
Tronic 3000C Pro	US 9-1 Pro M W I H B

Tab. 12

## 2.5 Descripción general

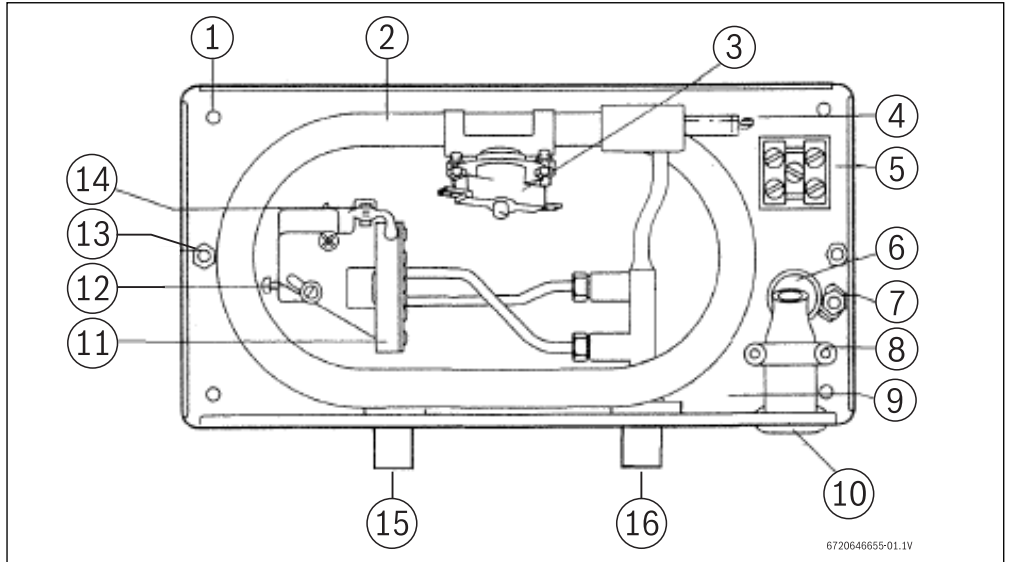


Fig. 1

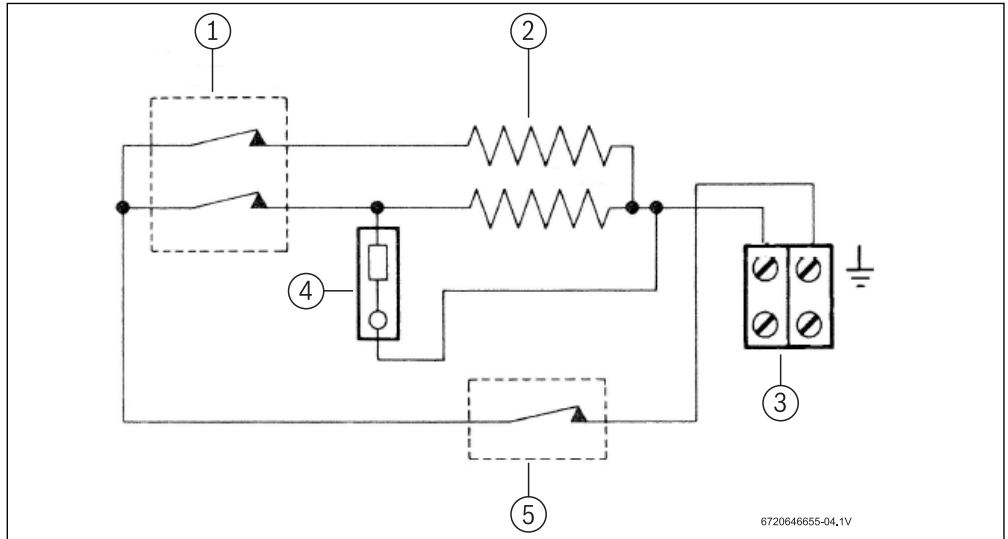
- [1] Orificio de montaje
- [2] Tubo del intercambiador de calor
- [3] Corta-circuito térmico (restablecimiento manual)
- [4] Elementos de calefacción
- [5] Bloque de terminales
- [6] Entrada de cable posterior
- [7] Clavija de tierra
- [8] Cable de sujeción
- [9] Montaje de filtro y tubería de agua
- [10] Cable de entrada lateral
- [11] Interruptor de caudal
- [12] Selector de potencia
- [13] Tornillo de fijación de cubierta
- [14] Luz de neón
- [15] Salida
- [16] Entrada

## 2.6 Diagrama eléctrico



**PELIGRO:** ¡Riesgo de choque eléctrico!

- ▶ Apague siempre el suministro eléctrico a la unidad antes de retirar la cubierta o realizar tareas de mantenimiento y servicio.



6720646655-04.1V

Fig. 2 Esquema interno de conexión

- [1] Selector de potencia e interruptor de flujo
- [2] Elementos de calefacción
- [3] Suministro eléctrico
- [4] Neón
- [5] Restablecimiento manual Corta circuito térmico

## 2.7 Función

Cómo funciona el calentador de agua:

- El agua ingresa por la entrada de agua fría.



El calentador está diseñado para suministro de agua fría. No lo suministre con agua precalentada.

- El interruptor de caudal siente cuando el agua está pasando a través de la unidad. Si se detecta más que el nivel preestablecido, se enciende la unidad de calentamiento de los elementos. Esto se muestra por la luz de neón resplandeciente.
- El agua se calienta al instante, ya que pasa a través del tubo de cobre intercambiador de calor.

La temperatura del agua que sale de la unidad depende de:

- El voltaje del suministro eléctrico,
- Temperatura del suministro de agua entrante,
- Ajuste del selector de potencia,
- Rango de flujo,
- Potencia nominal de la unidad.

- Dependiendo de la región del país, la temperatura del suministro de agua puede variar entre 40 °F en invierno y 70 °F en verano, con un promedio de 50 °F.

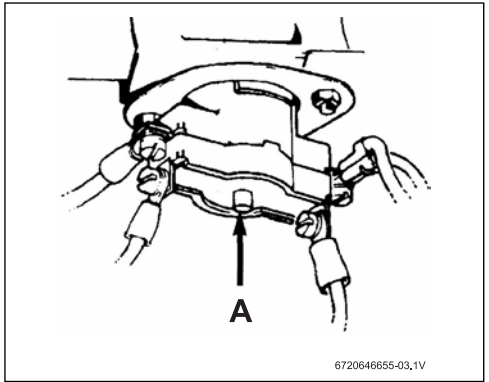


Fig. 3

[A] Corta circuito térmico manual

La siguiente tabla muestra el aumento de la temperatura del agua que se puede esperar de la unidad:

Modelo	Voltios	Amperios	Elemento de la resistencia	Ajuste Alto	Ajuste Bajo	Subida de temperatura (° F) en el Caudal (GPM)					
						0,5 GPM	0,75 GPM	1,0 GPM	1,5 GPM	2,0 GPM	2,5 GPM
US9	240	40	2x12 Ω	9,5kW	-	NA	84F	64F	42F	32F	NA
US9	240	20	1x12 Ω	-	4,75kW	NA	42F	32F	21F	16F	NA
US9	208	35	2x12 Ω	7,1kW	-	NA	64F	48F	32F	24F	NA
US9	208	18	1x12 Ω	-	3,5kW	NA	32F	24F	16F	12F	NA
US6	277	22	2x25 Ω	6,0kW	-	81F	55F	42F	27F	NA	NA
US6	277	11	1x25 Ω	-	3,0kW	41F	28F	21F	14F	NA	NA
US3	120-110	27	2x8 Ω	3,4-3,0kW	-	41F	28F	20F	NA	NA	NA
US7	240-220	30	2x16 Ω	7,2-6,1kW	-	NA	63F	48F	32F	24F	NA
US7	240-220	15	1x16 Ω	-	3,6-3,05kW	NA	32F	24F	16F	12F	NA

Tab. 13

### Restablecimiento manual del corta circuito térmico

La unidad tiene un corta circuito térmico (→Fig. 1 ) que se monta en el tubo del intercambiador de calor. Esto apagará los elementos del calentador si la temperatura del agua sube por encima de 194 °F.

Si se activa el corta circuito térmico, se tendrá que restablecer la unidad manualmente en el interior. Este corta circuito solo opera en circunstancias excepcionales (→Fig. 3 ). Llame a su

personal de servicio o Bosch Water Heating si esto sucede con frecuencia.

### 3 Reglamentos

Se debe cumplir cualquier ley y reglamentos locales relativos a la instalación y el uso de aparatos eléctricos calentadores de agua. Por favor, consulte las leyes que deben ser atendidas en su país.

- La instalación eléctrica debe ajustarse a las actuales Códigos Eléctricos Nacionales.
- Para reducir el riesgo de descargas eléctricas, conecte esta terminal o conector a la terminal de tierra de servicio eléctrico del panel de alimentación con un cable de cobre, de conformidad con el Código Eléctrico Canadiense, Parte I.
- Este producto debe estar protegido por un interruptor diferencial Clase A.
- En el estado de Massachusetts un plomero o un electricista debe realizar la instalación. (Número de autorización: P1-09-25).
- En el Estado de Massachusetts un plomero con licencia debe instalar una válvula de alivio de presión en el lado del agua fría. (MGL 142 Sección 19, Número de autorización P1-09-25).
- La unidad debe ser conectada por un electricista calificado, de acuerdo con la versión actual del Código Eléctrico Nacional EE.UU.) o el Código Eléctrico Canadiense (Canadá).
- Cuando el calentador no está a la vista de los interruptores de circuito eléctrico, un interruptor de circuitos u otra forma de desconexión local para todos los conductores sin puesta a tierra debe estar siempre a la vista del aparato. (Ref. NEC 422.31.).
- El tamaño del cable de alimentación y la instalación debe estar de acuerdo con el Código Eléctrico Canadiense, C22.1-02.



#### ADVERTENCIA:

La Proposición 65 de California enumera las sustancias químicas conocidas en el estado de causar cáncer, defectos de nacimiento, muerte, enfermedad grave u otros daños reproductivos. Este producto puede contener tales sustancias, ya sea su origen a partir de la combustión de combustibles (gas, petróleo) o los componentes de este producto.

### 4 Instalación



#### PELIGRO: ¡Riesgo de choque eléctrico!

- ▶ Por razones de seguridad, desconecte el cable de suministro eléctrico al aparato antes de llevar a cabo cualquier prueba o mantenimiento.



#### ADVERTENCIA:

- ▶ Este aparato debe tener tierra física de acuerdo con la edición más reciente del National Electrical Code. NFPA 70. En Canadá, todo el alambrado eléctrico debe cumplir con los reglamentos locales y el Canadian Electrical Code, CSA C22.1 Parte 1.

#### 4.1 Información importante



#### PELIGRO:

- ▶ La instalación sólo debe ser realizada por una persona calificada de acuerdo con estas instrucciones.
- ▶ Bosch Thermotechnology Corp. no se hace responsable de los aparatos que no estén bien instalados.



#### ADVERTENCIA:

- ▶ El aparato sólo debe ser montado en posición vertical con las conexiones de agua situadas en la parte inferior del calentador. Bajo ninguna circunstancia se debe montar el calentador de manera diferente.

Por favor siga estas instrucciones. Si no lo hace puede resultar en:

- Daños o lesiones.
- Instalación y/o funcionamiento inadecuado.
- Pérdida de la garantía.

### 4.1.1 Prevención de congelamiento



#### ADVERTENCIA:

- ▶ LA ELECTRICIDAD ES MUY PELIGROSA. TOME PRECAUCIONES ADICIONALES Y ASEGÚRESE QUE TODOS INTERRUPTORES DE CIRCUITOS ESTÁN APAGADOS ANTES DE REALIZAR CUALQUIER TRABAJO AL CALENTADOR.

#### Introducción

Tenga en cuenta que el manual de instalación indica que el calentador de agua no debe instalarse en un lugar donde pueden estar expuestos a temperaturas de congelación. Si el calentador se debe dejar en un espacio que puede experimentar temperaturas bajo cero, toda el agua debe ser drenada de éste.

**Las fallas por congelación no están cubiertas por la garantía.**



No se permite el uso de agentes tales como el anticongelante, ya que pueden causar daños a los componentes internos del calentador de agua.

#### Vaciado del calentador

Debido a la forma de los intercambiadores de calor y la tubería de conexión, es muy difícil conseguir extraer toda el agua del calentador. Siga el procedimiento para reducir al mínimo las posibilidades de congelamiento:

- ▶ Desconecte el suministro eléctrico.
- ▶ Desconecte las tuberías de agua fría y caliente de las conexiones en la parte inferior del calentador. Deje que el agua drene hacia afuera (tenga lista una cubeta de captura).
- ▶ Después de permitir que toda el agua drene hacia afuera, el calentador se debe soplar con baja presión de aire comprimido para eliminar la mayor cantidad de agua posible de los módulos calentadores de agua. Las ráfagas de aire funcionan mejor que el flujo continuo.

Recuerde que estas sugerencias se hacen solamente para ayudar a minimizar la posibilidad de daños por congelación y no debe interpretarse como el método garantizado para hacer frente a las posibilidades de congelación.

### 4.2 Instalación del Tronic 3000C Pro



#### ADVERTENCIA:

- ▶ No instale el Tronic 3000C Pro en una habitación donde exista posibilidad de congelación.

#### AVISO:

- ▶ Lea todas las instrucciones.
- ▶ Compruebe la presión del suministro principal de agua.

#### Para que la unidad funcione correctamente necesita las siguientes presiones de funcionamiento:

Fregadero

- Min: 10 psi (0,7 bar)
- Max: 150 psi (10,3 bar)

### 4.3 Conexiones de agua

- ▶ La unidad debe estar conectada directamente a la fuente principal de agua fría y no con agua precalentada. El aparato debe ser instalado con válvulas de servicio tanto en la entrada como en la salida. Estas válvulas se pueden utilizar para cortar el suministro de agua a la unidad si se necesita dar mantenimiento, o para reducir el flujo de agua si es demasiado alto.
- ▶ Le recomendamos que utilice conexiones de cobre de ½ " o conexiones flexibles de alta presión.
- ▶ Utilice cinta de teflón para sellar las roscas. NO use lubricante para tuberías.
- ▶ Recuerde que debe mantener la tubería de agua caliente lo más corta posible. En algunos casos vale la pena instalar una segunda unidad para servir a un accesorio adicional.
- ▶ La entrada y salida están claramente marcadas en la unidad. Cada una tiene un conector NPT de ½ ".
- ▶ Si la unidad va a suministrar un lavabo, le recomendamos que utilice los aireadores, que se pueden obtener de su distribuidor local.
- ▶ Si la unidad va a suministrar más de un fregadero, el aireador debe ser el mismo en cada llave si se van a utilizar al mismo tiempo. Si no, una salida tomará toda el agua.
- ▶ Cuando la unidad ha sido sondeada en, y antes de que la conecte, lávelo con agua para eliminar los residuos o partículas sueltas. Si no lo hace, la unidad puede ser inoperable.





Como condición para instalar este producto en el Estado de Massachusetts un plomero con licencia debe instalar una válvula de alivio de presión en el lado del agua fría. MGL 42 Sección 19.

Número de autorización: P1-09-25

### 4.3.1 Calidad del agua

La calidad del agua puede tener un impacto en la longevidad del aparato y puede anular la garantía del fabricante.

- ▶ Para llevar a cabo un análisis de agua, llame a su departamento local de aguas, o si está en un aljibe, haga que el agua de éste sea analizado periódicamente.  
Si la calidad del agua excede uno o más de los valores que se especifican a continuación, Bosch recomienda consultar a un profesional local en tratamiento de agua para conocer las opciones de suavizado y/o acondicionados.

Descripción	Niveles Máximos	
pH	pH	6.5 - 8.5
TDS (Total Disuelto)	mg/l or ppm	500
Dureza total	mg/l or ppm	100 (6 grains)
Aluminio	mg/l or ppm	2.0
Cloruros	mg/l or ppm	250
Cobre	mg/l or ppm	1.0
Hierro	mg/l or ppm	0.3
Manganeso	mg/l or ppm	0.05
Zinc	mg/l or ppm	5.0

Tab. 14

### 4.4 Conexiones eléctricas



**ADVERTENCIA:**

- ▶ El aparato debe ser instalado por un electricista calificado.
- ▶ La unidad debe estar conectada a tierra.
- ▶ Conecte la unidad a la energía.

Modelo	Valoradas Voltaje (V)	Valoradas Tamaño corriente (A)	Recomendar del cable de (AWG)
US3	110	30	10
US7	240	30	10
US6	277	25	10
US9	208	35	8
US9	240	40	8

Tab. 15

**AVISO:**

Cuando el Tronic 3000C Pro no está a la vista de los interruptores eléctricos, se debe suministrar siempre un corta circuitos u otra forma local de desconexión para todos los conductores que no están a tierra que estén a la vista del aparato. (REF NEC 422.31)

### Conectar la unidad a la red eléctrica

- ▶ Pele el aislamiento de los cables de alimentación aproximadamente 3 / 8". Cualquier aislamiento de tierra debe pelarse aproximadamente 3 / 4".
- ▶ Haga pasar el cable por la cubierta inferior o placa posterior de entrada de los orificios, en su caso.

- Conecte los cables al bloque terminal y a la clavija de tierra (Fig. 4 ):

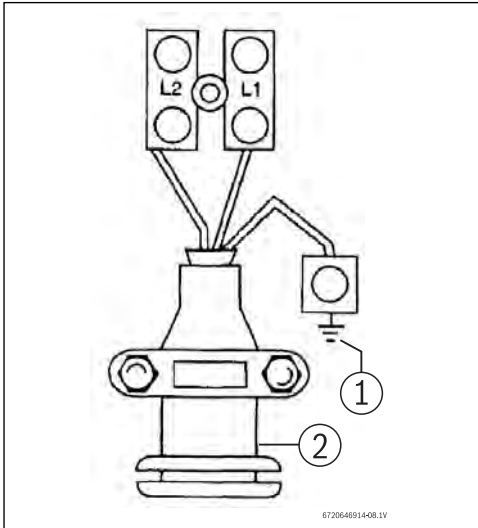


Fig. 4 Cable de terminación

- [1] Tierra
- [2] Manga de Goma

- Asegúrese de que todos los tornillos del bloque de terminales estén bien apretados. Las conexiones sueltas pueden causar que los cables se empalmen.
- Asegúrese de que el cable de tierra está enrollado en el vástago terminal y en la arandela de montaje. La tuerca debe estar apretada firmemente.
- Establezca el tornillo Selector de Alimentación (Fig. 5 ) en el ajuste que desee. Si se establece en LO, sólo un elemento de calentamiento se operará y la salida será la mitad de energía. Consulte la →Table 4 en la página 7 para aumento de temperatura en el flujo de varios rangos. Si el

elemento se encuentra en HI, los elementos de calentamiento funcionarán y la salida será del total. de energía. Al establecer el Tornillo Selector de Poder, es importante que el tornillo se ajuste hasta el final de la ranura y que estén bien apretados.

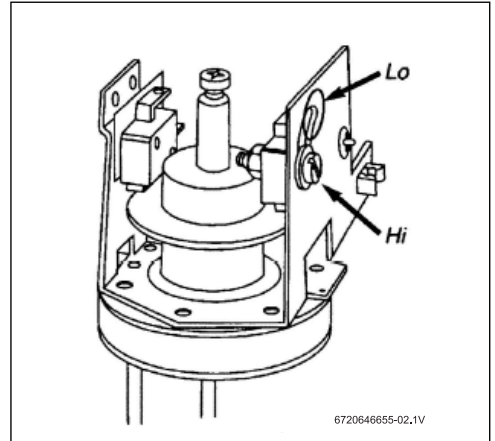


Fig. 5 Tornillo selector de alimentación

- Coloque la cubierta delantera y apriete los tornillos de fijación.

## 4.5 Asegurar la unidad a la pared

### 4.5.1 Decidir la posición

- ▶ Si se utiliza en un lugar público, coloque la unidad fuera del alcance para evitar el vandalismo.
- ▶ Monte la unidad en una sección plana de la pared, lejos de las posibles salpicaduras de agua o rocío.
- ▶ Móntese sólo como se muestra en Fig. 6, Fig. 7 y Fig. 8 con las conexiones de agua situadas en la parte inferior o en el lado derecho de la unidad. Recuerde que debe mantener la longitud de tubería de agua caliente al mínimo, a fin de ahorrar energía.
- ▶ Si la unidad va a suministrar un fregadero, puede introducirlo ya sea por encima o por debajo del fregadero.

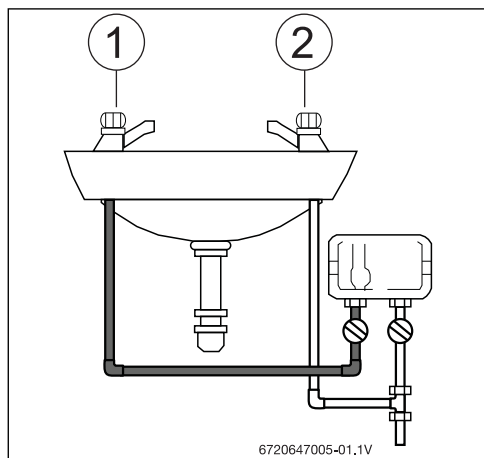


Fig. 6 Ejemplos de instalaciones (vista frontal)

- [1] Fría
- [2] Caliente

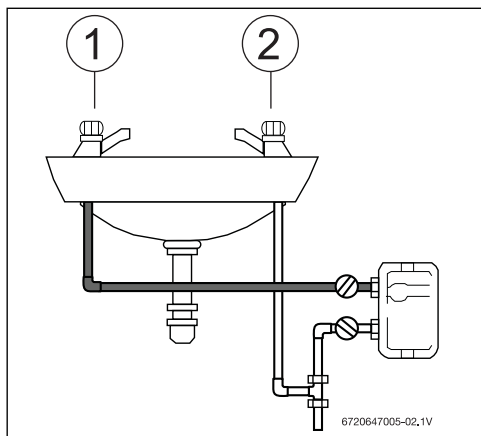


Fig. 7 Ejemplos de instalaciones (vista frontal)

- [1] Fría
- [2] Caliente

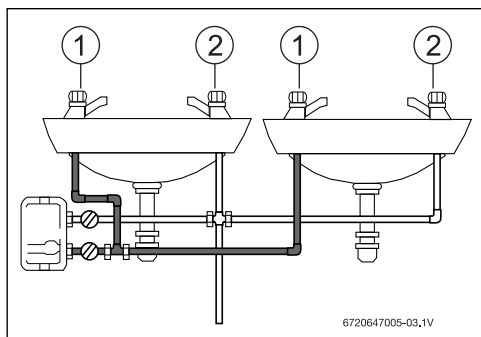


Fig. 8 Ejemplos de instalaciones (vista frontal)

- [1] Fría
- [2] Caliente

### 4.5.2 Decisión de la ruta del cableado

Usted tiene la opción de alimentar el cable eléctrico a través de la cubierta inferior o por la parte posterior de la unidad,

- ▶ Si va a ser a través de la cubierta inferior, corte el saliente de plástico para exponer la funda de goma (Fig. 9 ):

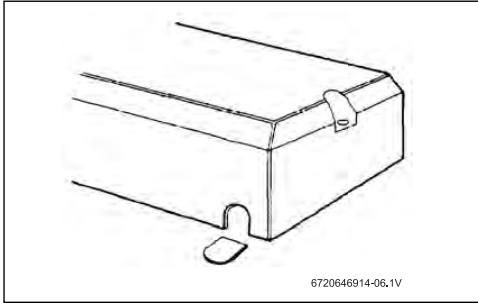


Fig. 9 Cubierta de la unidad

- ▶ Si va por la parte posterior de la cubierta de la unidad, corte a través del ojal de la placa trasera con un cuchillo afilado. Asegúrese de no retirar la arandela de la placa posterior (Fig. 10 ):

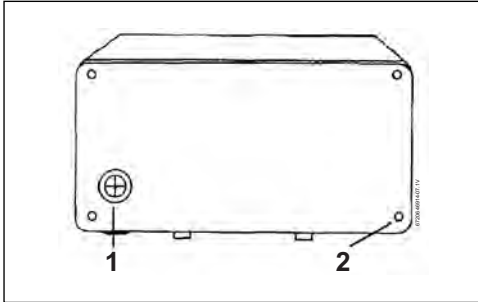


Fig. 10 Parte posterior de la unidad

- [1] Ojal  
[2] Orificios de fijación

- ▶ Haga pasar el cable por el ojal antes de montar la unidad a la pared. Si está utilizando una conexión de cable aprobado, retire el aro de refuerzo.

#### 4.5.3 Montaje en la pared

- ▶ Afloje los tornillos de sujeción de la cubierta y quite la cubierta de la unidad. Sujete la placa posterior en posición contra la pared mientras que marca los cuatro orificios de montaje.
- ▶ Taladre los orificios y fije la unidad a la pared utilizando los cuatro tornillos para madera no.8 suministrados.



#### ADVERTENCIA:

- ▶ No se debe instalar una válvula de retención a menos de 6 pies de la entrada.

## 5 Puesta en marcha del Tronic 3000C Pro



#### ADVERTENCIA:

- ▶ No utilice la unidad si cree que puede congelarse ya que esto podría resultar en serios daños a la unidad. Espere hasta que esté seguro de que se descongele completamente antes de ponerla en marcha.

### 5.1 Fregadero



#### ADVERTENCIA:

Antes de encender la unidad:

- ▶ Abra la válvula de cierre de agua fría a la unidad y abra todos las llaves de agua caliente que son suministradas por la unidad. Deje correr el agua de la llave (s) hasta que todo el aire haya sido purgado de la unidad y de la tubería.

- ▶ Compruebe que la unidad se encuentre encendida en el panel de interruptores.
- ▶ Abra COMPLETAMENTE la llave de agua caliente. Si no abre completamente la llave, encontrará que la temperatura del agua puede variar. La temperatura del agua caliente se puede ajustar mediante el ajuste de la corriente.

Si la unidad se ha utilizado recientemente:

- ▶ deje correr el agua por algunos minutos para que la temperatura se establezca. Si la unidad ha sido utilizada recientemente, en un principio puede tener una corta ráfaga de agua muy caliente proveniente de la unidad.

Si se conecta una segunda llave a la unidad también está activada, el agua caliente será compartida entre los dos, por lo tanto el flujo y / o la temperatura del agua disminuirá.

### 5.2 Ajuste del flujo

#### Comprobación de fugas

- ▶ Asegúrese de que las válvulas de servicio están abiertas y controle que las uniones de la tubería no tengan fugas.
- ▶ Abra totalmente la llave de agua caliente en el fregadero.
- ▶ Ajuste la válvula de servicio de salida hasta que el agua salga de la llave a la temperatura adecuada, (aumente el flujo para agua más fría, disminúyalo para mayor temperatura). → Consulte la Table 4 , page 7 de aumento de la temperatura esperada en el rango de flujo dado.

- ▶ Compruebe que la unidad funciona correctamente cuando la llave del fregadero se cierra y se abre de nuevo, si no, ajuste ligeramente la válvula de servicio.
- ▶ La válvula de servicio de entrada no debe ser utilizada para regular la temperatura.



Cuando utilice el agua caliente en un accesorio, abra la llave completamente. Para regular la temperatura del agua caliente, ajuste el flujo de agua de acuerdo como se indica en la Sección 5.2.

**AVISO:**

Si la unidad le da servicio a una llave mono mando, puede que tenga que restringir el suministro de agua fría de la llave para equilibrar la presión del agua y mejorar el rendimiento.

**AVISO:**

- ▶ Antes de abandonar el sitio, el instalador deberá demostrar la unidad al usuario y entregarle esta guía.

## 6 Solución de problemas



**ADVERTENCIA:** Siempre se debe desconectar la alimentación eléctrica de la unidad antes de quitar la cubierta.

### 6.1 Para el instalador

Síntoma	Causa	¿Qué hacer?
Agua fría solamente -luz de neón apagadaoff.	La electricidad no está encendida.	Verifique el suministro eléctrico.
	El suministro de agua está conectado a la SALIDA de la unidad.	Vuelva a conectar el suministro de agua a la ENTRADA (marcada en azul).
	TEI corta circuitos térmico se ha disparado.	Restablecerlo mediante la apertura de la unidad y presionando el botón en el corta circuitos (→Fig. 3 ). Antes de hacerlo debe encontrar la causa del problema.
	El interruptor de flujo no está funcionando.	Desconecte la alimentación y observe si el interruptor de flujo se activa cuando el agua esté abierta. Si no es así póngase en contacto con Bosch Thermotechnology al 603-552-1100 <a href="http://www.bosch-climate.us">www.bosch-climate.us</a>
Water too cold -neon light on.	Flujo de agua demasiado alto.	Ajuste el flujo de agua (→consulte la Table 4 ).
	El tornillo selector de potencia no lo ponga todo en "HI" (Alto).	Cambie el tornillo selector de energía a "HI", →consulte la Fig. 5 .
	Un elemento no está funcionando.	Desconecte la electricidad y verifique la resistencia de los elementos (→consulte la Table 4 ).
	La alimentación de voltaje se ha reducido.	Compruebe la alimentación de voltaje del calentador (→consulte la Table 4 ).
El flujo de agua está muy bajo, o la temperatura está muy alta.	Hay restricciones en las tuberías.	Compruebe la instalación de la tubería. Sólo use cinta de teflón para sellar las juntas de las tuberías.

Tab. 16

Si el problema persiste:

La persona que instaló inicialmente la unidad es probablemente el mejor para ponerse en contacto para pedir ayuda. También puede llamar a Bosch Thermotechnology Corporation at 603-552-1100 o visit [www.bosch-climate.us](http://www.bosch-climate.us). Por favor tenga esta guía con usted cuando llamee.

## 6.2 Para el Usuario

Síntoma	Causa	¿Qué hacer?
Poco o nada de flujo de agua.	El suministro de agua está cerrado.	Abra totalmente el suministro principal la válvula de cierre.
Agua fría solamente -luz de neón apagada.	El flujo no es suficiente para activar.	Abra totalmente la válvula de servicio de entrada.
Agua demasiado fría solamente luz-neón encendida.	El flujo de agua es demasiado alto.	Ajustar el flujo con la válvula de servicio de salida de agua caliente.
	La temperatura de agua de entrada ha disminuido.	Ajustar el flujo con la válvula de servicio de salida de agua caliente.
Flujo de agua demasiado bajo, o la temperatura demasiado alta.	La fuente principal de flujo de agua es demasiado baja.	Aumentar el flujo de agua.
	La llave de agua caliente no está totalmente abierta.	Ajuste el tope / válvula de bola para que el agua esté a la temperatura adecuada con la llave totalmente abierta (→sección 5.2). Abra siempre totalmente la llave de agua caliente.
Water temperature fluctuates.	Las variaciones de presión de agua y / o flujo está causando que el interruptor de flujo se cycle en encendido y apagado.	Aumentar el rango de flujo.
		Asegúrese de que las válvulas de aislamiento están correctamente ajustadas.
		Asegúrese de que el filtro de entrada está limpio.
		Asegúrese de que los restrictores de salida y aireadores en duchas y / o llaves estén libres.
		Asegúrese de que no hay cruce de líneas de conducción cerrando la válvula de aislamiento de entrada y la apertura de una salida del agua caliente servido por el Tronic 3000C Pro. Si hay un flujo constante, el agua fría que fluye hacia las líneas de servicio de agua caliente y la parte trasera presurizando al e Tronic 3000C Pro. Esta condición debe ser reparada o el calentador no funcionará correctamente.

Tab. 17

## 7 Componentes interiores y lista de piezas

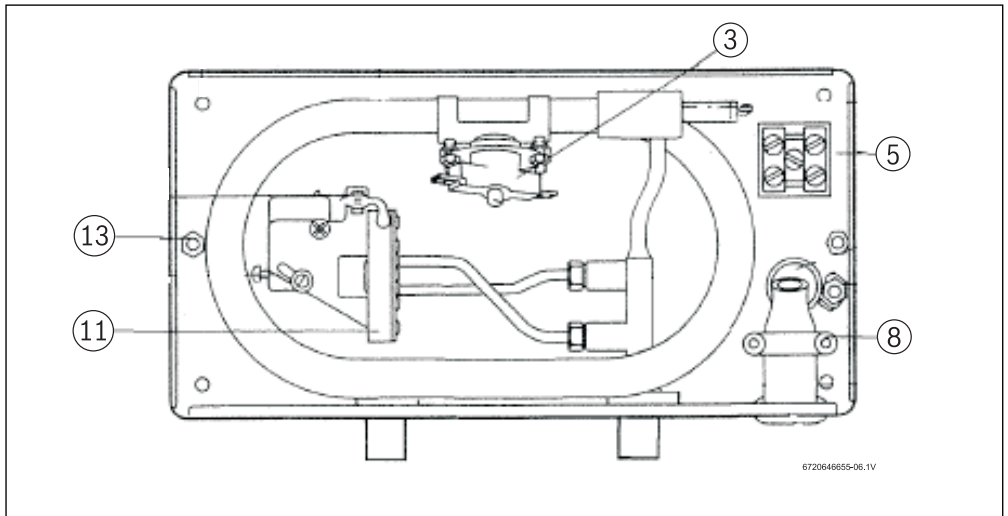


Fig. 11

Número	Código	Comp. descripción
3	8-738-700-866-0	Ensamble de corta circuito térmico (Restablecimiento Manual)
5	8-738-700-869-0	Bloque de terminales
8	8-738-701-695-0	Abrazadera de cable y recubrimiento de goma
11	8-738-700-865-0	Interruptor de flujo
13	8-738-700-862-0	Cubierta de los tornillos de retención
---	8-738-701-708-0	Cubierta Frontal Gris - no se muestra

Tab. 18

Para más información consulte con su distribuidor local.  
 PARA PREGUNTAS DE SERVICIO E INSTALACIÓN LLAME AL :  
 Tel: 603-552-1100  
 Fax: 603-965-7581

### Bosch Thermotechnology Corporation

Bosch Thermotechnology Corp.  
 50 Wentworth Avenue  
 Londonderry, NH 03053  
 Phone 603-552-1100  
 Fax 603-965-7581  
[www.bosch-climate.us](http://www.bosch-climate.us)  
[techsupport@bosch-climate.us](mailto:techsupport@bosch-climate.us)



## Sommaire

---

<b>1</b>	<b>Explication des symboles et instructions de sécurité importantes</b> .....	<b>34</b>
1.1	Explication des symboles .....	34
1.2	IMPORTANTES INSTRUCTIONS DE SÉCURITÉ .....	34
<b>2</b>	<b>Informations relatives au chauffe-eau</b> .....	<b>35</b>
2.1	Clause de non responsabilité .....	35
2.2	Code d'identification technique .....	35
2.3	Contenu du carton .....	35
2.4	Nom du modèle et numéro d'identification .....	35
2.5	Description générale .....	36
2.6	Schéma électrique .....	37
2.7	Fonction .....	38
<b>3</b>	<b>Réglementations</b> .....	<b>39</b>
<b>4</b>	<b>Installation</b> .....	<b>39</b>
4.1	Informations importantes .....	39
4.2	Installation du Tronic 3000C Pro .....	40
4.3	Raccordements d'eau .....	40
4.4	Branchements électriques .....	41
4.5	Fixation de l'unité au mur .....	42
<b>5</b>	<b>Mise en marche du Tronic 3000C Pro</b> .....	<b>43</b>
5.1	Point de puisage .....	43
5.2	Réglage du débit .....	44
<b>6</b>	<b>Diagnostic de pannes</b> .....	<b>45</b>
6.1	Pour l'installateur .....	45
6.2	Pour l'utilisateur .....	45
<b>7</b>	<b>Liste des composants et des pièces internes</b> ....	<b>46</b>

## 1 Explication des symboles et instructions de sécurité importantes

### 1.1 Explication des symboles

#### Avertissements



Les avertissements sont indiqués dans le texte par un triangle de signalisation. En outre, les mots de signalisation caractérisent le type et l'importance des conséquences éventuelles si les mesures nécessaires pour éviter le danger ne sont pas respectées.

Les mots de signalisation suivants sont définis et peuvent être utilisés dans le présent document :

- **AVIS** signale le risque de dégâts matériels.
- **PRUDENCE** signale le risque d'accidents corporels légers à moyens.
- **AVERTISSEMENT** signale le risque d'accidents corporels graves à mortels.
- **DANGER** signale la survenue d'accidents mortels en cas de non respect.

#### Informations importantes



Les informations importantes ne concernant pas de situations à risques pour l'homme ou le matériel sont signalées par le symbole ci-contre.

#### Autres symboles

Symbole	Signification
▶	Étape à suivre
→	Renvois à un autre passage dans le document
•	Énumération/Enregistrement dans la liste
-	Énumération/Enregistrement dans la liste (2e niveau)

Tab. 1

## 1.2 IMPORTANTES INSTRUCTIONS DE SÉCURITÉ

Lors de l'utilisation de cet appareil électrique, des précautions de sécurité de base doivent toujours être suivies, y compris les précautions suivantes :

#### ▶ LIRE ET SUIVRE TOUTES LES INSTRUCTIONS.

- ▶ Cet appareil doit être relié à la terre.
- ▶ Couper l'alimentation électrique du chauffe-eau avant de nettoyer, de réparer ou de retirer le capot.
- ▶ Afin de réduire le risque de blessure, une vigilance accrue est nécessaire lorsque le produit est utilisé à proximité d'enfants ou de personnes âgées.
- ▶ Avertissement : installation en intérieur uniquement, sans AUCUN risque d'exposition au gel.
- ▶ Avertissement : ne pas installer de clapet de non retour ou tout autre type de clapet de transfert à moins de 10 pieds de l'orifice d'entrée d'eau froide.
- ▶ L'installation électrique doit être conforme aux Codes électriques nationaux actuels.
- ▶ Avertissement : ne pas installer de clapet de non retour ou tout autre type de clapet de transfert à moins de 10 pieds de l'orifice d'entrée d'eau froide.t.
- ▶ Le Tronic 3000C Pro est conçu pour de l'eau froide potable à usage domestique. Contacter 0000 Thermotechnology avant designer ou utiliser l'appareil pout toute autre application.

#### Instructions de sécurité canadiennes supplémentaires

- Une borne verte (ou capuchon de connexion marqué " G ", " GR ", " GROUND " ou " GROUNDING ") est fournie avec le boîtier de commandes. Afin de réduire le risque de choc électrique, connecter cette borne ou le connecteur à la borne de terre du tableau électrique avec un fil de cuivre continu, conformément au Code électrique canadien, Partie I
- Ce produit doit être protégé par un différentiel de classe A.

#### CONSERVER CES INSTRUCTIONS

- ▶ Conservez ce manuel dans un endroit sûr une fois l'unité Tronic 3000C Pro installée.
- ▶ Vous pourrez avoir besoin de le consulter à tout moment dans le futur, pour des questions d'ordre général ou d'entretien.

## 2 Informations relatives au chauffe-eau

### 2.1 Clause de non responsabilité

#### 2.1.1 Numéro d'approbation

##### État du Massachusetts

Conformément aux conditions d'installation de ce produit dans l'État du Massachusetts, une soupape de surpression côté eau froide doit être installée par un plombier agréé, MGL 142 Section 19. (Numéro d'approbation P1-09-25).

### 2.2 Code d'identification technique

US	3 - 1	M	W	I	H	B
US	6 - 1	M	W	I	H	B
US	7 - 1	M	W	I	H	B
US	9 - 1	M	W	I	H	B

Tab. 2

[US] Électronique instantané

[3] Puissance maximum (kW)

[M] Contrôle de la température mécanique

[W] Suspendu

[I] Intérieur

[H] Installation horizontale

[B] Raccordements eau

### 2.3 Contenu du carton

- Chauffe-eau électrique
- 4 vis à bois No. 8

### 2.4 Nom du modèle et numéro d'identification

Nom du modèle	Numéro d'identification
Tronic 3000C Pro	US 3-1 Pro M W I H B
Tronic 3000C Pro	US 6-1 Pro M W I H B
Tronic 3000C Pro	US 7-1 Pro M W I H B
Tronic 3000C Pro	US 9-1 Pro M W I H B

Tab. 3

## 2.5 Description générale

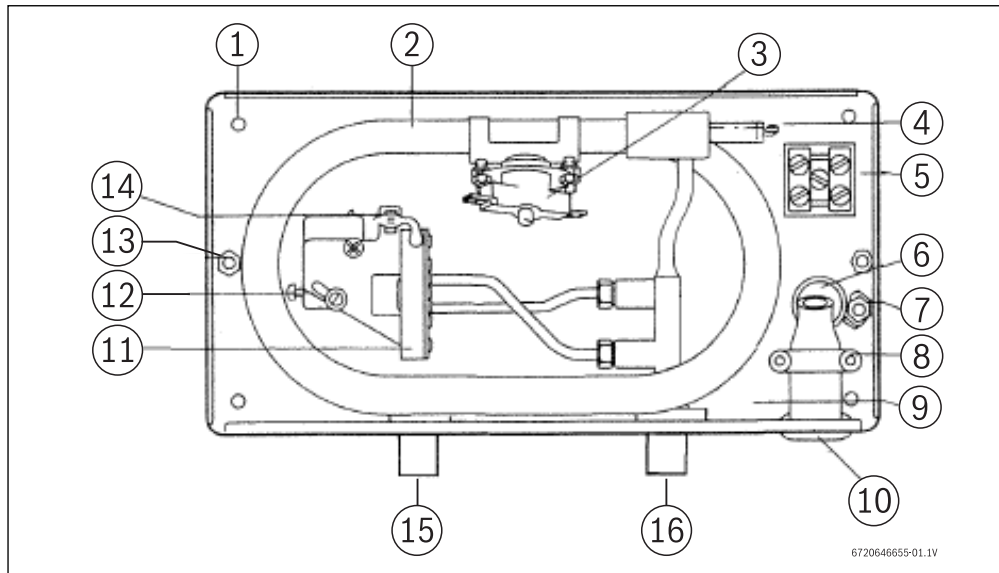


Fig. 1

- [1] Trou de fixation
- [2] Tube d'échangeur thermique
- [3] Protecteur thermique (à ré-enclenchement manuel)
- [4] Résistances électriques
- [5] Bornier
- [6] Entrée arrière du câble
- [7] Borne de masse
- [8] Serre-câble
- [9] Montage du filtre et du circuit hydraulique
- [10] Entrée côté du câble
- [11] Fluxostat
- [12] Sélecteur d'alimentation
- [13] Vis de fixation du capot
- [14] Lampe néon
- [15] Sortie
- [16] Entrée

## 2.6 Schéma électrique



**DANGER** : Risque de choc électrique !

- ▶ Toujours couper l'alimentation électrique de l'unité avant de retirer le capot ou d'effectuer tout service d'entretien.

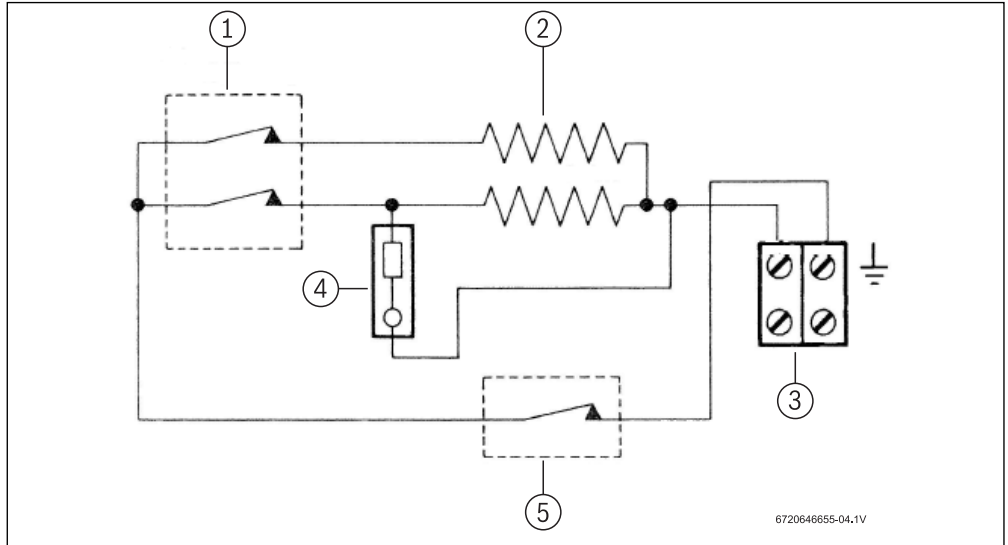


Fig. 2 Schéma de câblage interne

- [1] Sélecteur d'alimentation et fluxostat
- [2] Alimentation électrique
- [3] Résistances électriques
- [4] Néon
- [5] Protecteur thermique à ré enclenchement manuel

## 2.7 Fonction

Mode de fonctionnement du chauffe-eau:

- L'eau arrive par l'orifice d'entrée d'eau froide.



Le chauffe-eau est conçu pour une alimentation en eau froide uniquement. Ne pas alimenter avec de l'eau pré chauffée.

- Le fluxostat capte que l'eau passe par l'unité. Si le niveau d'eau détecté est supérieur au niveau préréglé, les résistances électriques se déconnectent. Ceci est indiqué par l'allumage de la lampe néon.
- L'eau est chauffée instantanément lorsqu'elle passe par le tube d'échangeur thermique de cuivre.

La température de l'eau à la sortie de l'unité dépend des points suivants :

- la tension électrique,
- la température de l'eau à l'entrée,
- la configuration du sélecteur d'alimentation,
- le débit,
- la puissance nominale de l'unité.

- En fonction de la région, la température de l'eau à l'entrée peut varier entre 40 °F en hivers et 70 °F en été, avec une moyenne de 50 °F.

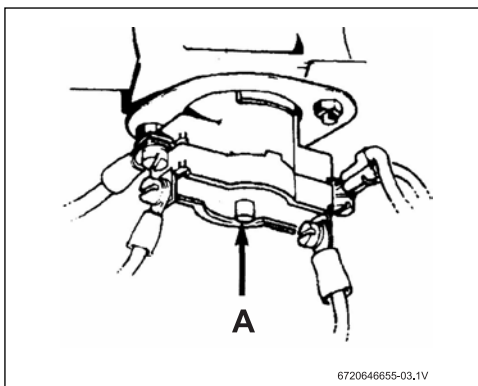


Fig. 3

[A] Protecteur thermique à réenclenchement manuel

Le tableau ci-dessous présente la hausse de la température de l'eau assurée par l'unité:

Modèle	Tension	Ampères	Résistance	Réglage haut	Réglage bas	Hausse de la température (en F) au débit suivant (GPM)					
						0,5 GPM	0,75 GPM	1,0 GPM	1,5 GPM	2,0 GPM	2,5 GPM
US9	240	40	2x12 Ω	9,5kW	-	NA	84F	64F	42F	32F	NA
US9	240	20	1x12 Ω	-	4,75kW	NA	42F	32F	21F	16F	NA
US9	208	35	2x12 Ω	7,1kW	-	NA	64F	48F	32F	24F	NA
US9	208	18	1x12 Ω	-	3,5kW	NA	32F	24F	16F	12F	NA
US6	277	22	2x25 Ω	6,0kW	-	81F	55F	42F	27F	NA	NA
US6	277	11	1x25 Ω	-	3,0kW	41F	28F	21F	14F	NA	NA
US3	120-110	27	2x8 Ω	3,4-3,0kW	-	41F	28F	20F	NA	NA	NA
US7	240-220	30	2x16 Ω	7,2-6,1kW	-	NA	63F	48F	32F	24F	NA
US7	240-220	15	1x16 Ω	-	3,6- 3,05kW	NA	32F	24F	16F	12F	NA

Tab. 4

### Protecteur thermique à réenclenchement manuel

L'unité présente un protecteur thermique à réenclenchement manuel (→ Fig. 1 ) monté sur le tube d'échangeur thermique. Cela permet de couper les résistances électriques si la température de l'eau dépasse les 194 °F.

En cas de déclenchement du protecteur thermique, il faudra le réenclencher manuellement à l'intérieur de l'unité.

Ce protecteur thermique ne fonctionne qu'en cas de circonstances exceptionnelles (→ Fig. 3 ). Veuillez contacter votre

technicien de service ou Bosch Water Heating si cela se produit trop fréquemment.

### 3 Réglementations

Toutes les lois et réglementations relatives à l'installation et à l'utilisation des chauffe-eau électriques doivent être appliquées. Veuillez vous renseigner sur les lois en vigueur dans votre pays.

- L'installation électrique doit être conforme aux Codes électriques nationaux en vigueur
- Pour réduire le risque de choc électrique, connecter cette borne ou le connecteur à la borne de terre du tableau électrique avec un fil de cuivre continu, conformément au Code électrique canadien, Partie I.
- Ce produit doit être protégé par un différentiel de classe A.
- Dans l'État du Massachusetts, un plombier ou un électricien agréé doit exécuter l'installation. (Numéro d'approbation P1-09-25).
- Dans l'État du Massachusetts une soupape de surpression côté eau froide doit être installée par un plombier agréé, (MGL 142 Section 19, numéro d'approbation P1-09-25).
- L'unité doit être raccordée par un électricien qualifié, conformément à la version en vigueur du National Electrical Code (États-Unis) ou du Code électrique canadien (Canada).
- Lorsque le chauffe-eau ne se trouve pas à proximité des disjoncteurs, un bloque disjoncteur ou des moyens de déconnexion locaux pour les conducteurs non mis à la terre doivent être installés à proximité de l'appareil. (Réf NEC 422.31.).
- La taille du câble d'alimentation et l'installation doivent être conformes au Code électrique canadien, C22.1-02.



#### AVERTISSEMENT :

La California Proposition 65 énumère les substances chimiques reconnues par l'état de Californie comme cancérigènes, à l'origine de malformations à l'naissance, de morts, de maladies graves ou d'autres problèmes reproductifs. Ce produit peut contenir de telles substances, que leur origine soit par la combustion d'un carburant (gaz, huile) ou les pièces du produit lui-même.

### 4 Installation



#### DANGER : Risque de choc électrique!

- ▶ Pour des raisons de sécurité, couper l'alimentation électrique du chauffe-eau avant toute intervention technique ou contrôle d'essai.



#### AVERTISSEMENT :

- ▶ Ce chauffe-eau doit être mis à la terre, conformément à la version la plus récente du Code électrique national NFPA 70. Au Canada, toutes les liaisons électriques au chauffe-eau doivent être conformes aux codes locaux et au Code électrique canadien, CSA C22.1 Partie 1.

#### 4.1 Informations importantes



#### DANGER :

- ▶ Seule une personne qualifiée est habilitée à exécuter l'installation, conformément aux présentes instructions.
- ▶ Bosch Thermotechnology Corp. n'est en aucun cas responsable de la mauvaise installation des appareils.



#### AVERTISSEMENT :

- ▶ Le dispositif de chauffage doit être fixé au mur et positionné avec les raccords d'eau situés en bas ou sur le côté droit de l'unité voir Fig. 6. En aucun cas, le chauffe-eau doit être monté différemment.

Veuillez suivre ces instructions à la lettre. Dans le cas contraire, les risques sont les suivants:

- Dommages ou blessures.
- Mauvaise installation/mauvais fonctionnement.
- Perte de garantie.

### 4.1.1 Prévention contre le gel



#### AVERTISSEMENT :

- ▶ L'ÉLECTRICITÉ EST EXTRÊMEMENT DANGEREUSE. PRENDRE TOUTES LES PRECAUTIONS QUI S'IMPOSENT ET VÉRIFIER QUE TOUTS LES COUPE-CIRCUITS SONT FERMÉS AVANT TOUTE INTERVENTION TECHNIQUE SUR LE CHAUFFE-EAU.

#### Introduction

Veillez noter que le guide d'installation indique que le chauffe-eau ne peut en aucun cas être installé dans un endroit où il risque d'être exposé au gel. Si le chauffe-eau doit être placé dans un endroit risquant des conditions de gel, il doit être totalement vidangé.

**Les dommages relatifs au gel ne sont pas couverts par la garantie.**



L'utilisation d'agents toxiques comme l'anti-gel est interdit. En effet, cela risquerait d'endommager les composants internes du chauffe-eau.

#### Vidange du chauffe-eau

La forme des échangeurs thermiques et de la conduite de raccord rend extrêmement difficile la vidange totale du chauffe-eau. Veillez suivre la procédure ci-après pour minimiser au maximum le risque de gel :

- ▶ Couper l'alimentation électrique du chauffe-eau.
- ▶ Déconnecter toutes les conduites d'eau chaude et froide des raccords de tuyauterie situés en bas du chauffe-eau. Laisser couler l'eau (placer une bassine en dessous).
- ▶ Une fois la vidange terminée, envoyer de l'air comprimé basse pression à l'intérieur du chauffe-eau afin de faire sortir le plus d'eau possible des modules. Il est conseillé d'envoyer de petits jets d'air plutôt qu'un flux continu.

Ces conseils visent essentiellement à minimiser les risques de gel éventuels et ne sont pas supposés être une méthode garantie de lutte contre les possibilités de gel.

### 4.2 Installation du Tronic 3000C Pro



#### AVERTISSEMENT :

- ▶ Ne pas installer le Tronic 3000C Pro dans une pièce qui présente un risque de gel.

#### AVIS :

- ▶ Lire toutes les instructions.
- ▶ Vérifier la pression de l'arrivée d'eau principale.

**Pour le bon fonctionnement de l'unité, les pressions de fonctionnement suivantes sont requises :**

Point de puisage

- Min: 10 psi (0,7 bar)
- Max: 150 psi (10,3 bar)

### 4.3 Raccordements d'eau

- ▶ L'unité doit être raccordée directement à l'alimentation principale en eau froide et non à de l'eau préchauffée. Elle doit être installée avec des vannes d'isolement d'entrée et de sortie. Ces robinets peuvent être utilisés pour couper l'alimentation en eau vers l'unité en cas de besoin d'intervention technique quelle qu'elle soit ou pour réduire le débit d'eau s'il est trop fort.
- ▶ Il est recommandé d'utiliser des raccords en cuivre ou des raccords flexibles haute pression de ½".
- ▶ Utiliser du ruban Téflon pour l'étanchéité des filetages. Ne JAMAIS utiliser de pâte.
- ▶ La conduite d'eau chaude doit être le plus court possible. Dans certains cas, il peut être nécessaire de raccorder une seconde unité pour l'alimentation d'un appareil sanitaire supplémentaire.
- ▶ Les orifices d'entrée et de sortie d'eau sont clairement indiqués sur l'unité. Ils ont chacun un connecteur NPT de ½" .
- ▶ Si l'unité est prévue pour alimenter un point de puisage, il est recommandé d'utiliser des aérateurs, disponibles chez votre distributeur/vendeur local.
- ▶ Si l'unité est prévue pour alimenter plus d'un point de puisage, l'aérateur devra être le même à chaque piquage, si les points de puisage doivent être utilisés en même temps. Dans le cas contraire, une sortie sera prévue pour toute l'eau.
- ▶ Une fois les travaux de plomberie terminés et avant le branchement à l'alimentation électrique du chauffe-eau, le rincer à l'eau pour éliminer tout débris ou particule. Faute de quoi, l'unité risque de ne pas être en état de fonctionnement.



Conformément aux conditions d'installation de ce produit dans l'État du Massachusetts, une soupape de surpression côté eau froide doit être installée par un plombier agréé, MGL 142 Section 19.

Numéro d'approbation: P1-09-25



### 4.3.1 Qualité de l'eau

La qualité de l'eau peut avoir un impact sur la longévité de l'appareil et peut ne pas être couverte par la garantie du fabricant

- Pour obtenir les données d'analyse de l'eau, veuillez contacter votre compagnie distributrice des Eaux locale. En cas d'utilisation d'un puits, veuillez faire analyser l'eau du puits régulièrement.

Si la qualité de l'eau excède une ou plusieurs des valeurs référencées ci-après, Bosch recommande de consulter un professionnel du traitement des eaux pour obtenir des options d'adoucissement/conditionnement de l'eau.

Description	Niveaux maximum	
pH	pH	6.5 - 8.5
TDS (Matières totales dissoutes)	mg/l ou ppm	500
Dureté totale	mg/l ou ppm	100 (6 grains)
Aluminium	mg/l ou ppm	2.0
Chlorures	mg/l ou ppm	250
Cuivre	mg/l ou ppm	1.0
Fer	mg/l ou ppm	0.3
Manganèse	mg/l ou ppm	0.05
Zinc	mg/l ou ppm	5.0

Tab. 5

### 4.4 Branchements électriques

**AVERTISSEMENT :**

- L'unité doit être installée par un électricien qualifié.
- L'unité doit être mise à la terre.
- Brancher l'unité à l'alimentation électrique.

Modèle	Tension nominale (V)	Courant nominal (A)	Taille de câble recommandée (AWG)
US3	110	30	10
US6	277	25	10
US7	240	30	10
US9	208	35	8
US9	240	40	8

Tab. 6

#### AVIS :

Lorsque le Tronic 3000C Pro ne se trouve pas à proximité des disjoncteurs, un bloque disjoncteur ou des moyens de déconnexion locaux pour les conducteurs non mis à la terre doivent être installés à proximité de l'appareil. (Réf NEC 422.31.)

#### Brancher l'unité à l'alimentation électrique

- Dénuder l'isolation des câbles électriques sur environ 3/8". L'isolation des câbles de masse doit être dénudée sur environ 3/4".
- Passer le câble par les passes câbles en bas du capot ou sur la plaque arrière, selon les cas.
- Relier les câbles au bornier et à la borne de masse (Fig. 4) :

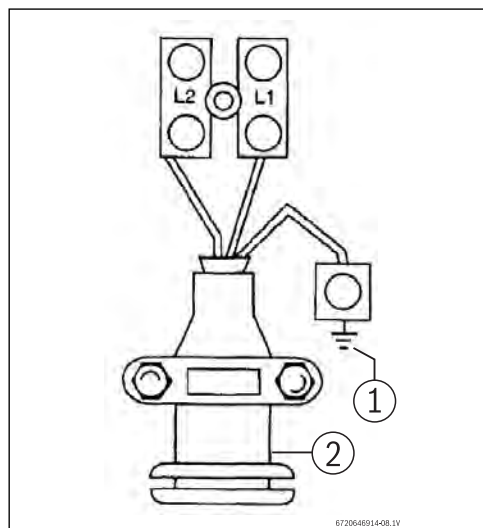


Fig. 4 Câble termination

- [1] Terre
- [2] Gaine en caoutchouc

- Vérifier que les vis du bornier sont toutes vissées à fond. Les raccords lâches risquent de provoquer la surchauffe des câbles.
- Vérifier que le fil de terre est bien enroulé autour de sa borne et dans la rondelle de selle. L'écrou doit être bien serré.

- ▶ Régler le sélecteur d'alimentation (Fig. 5 ) sur le réglage souhaité. S'il est réglé sur LO (Bas), une seule résistance fonctionne et la puissance sera diminuée de moitié. → Voir le Table 4 , page 7 pour connaître la hausse de la température selon le débit. Lorsque le sélecteur est réglé sur HI (Haut), les deux résistances fonctionnent et le débit sera à pleine puissance. Au moment du réglage du sélecteur d'alimentation, vérifier que la vis est bien vissée à fond jusqu'en butée.

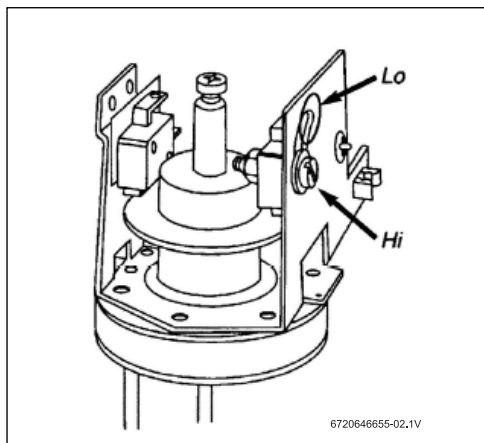


Fig. 5 Sélecteur d'alimentation

- ▶ Fixer le capot frontal et visser les vis de fixation.

## 4.5 Fixation de l'unité au mur

### 4.5.1 Choix de l'emplacement

- ▶ En cas d'installation dans un espace public, placer l'unité dans un endroit hors de portée, afin de décourager tout acte de vandalisme.
- ▶ Monter l'unité sur une section de mur plat, à l'abri de tout risque d'éclaboussures ou de vaporisation.
- ▶ Le montage doit être identique à celui indiqué Fig. 6, Fig. 7 et Fig. 8 avec les raccords d'alimentation en eau en bas ou à droite de l'unité. La conduite d'eau chaude doit être le plus court possible en vue d'économiser l'énergie.
- ▶ Si l'unité est prévue pour alimenter un point de puisage, la conduite d'eau chaude peut être installée avant ou après le point de puisage.

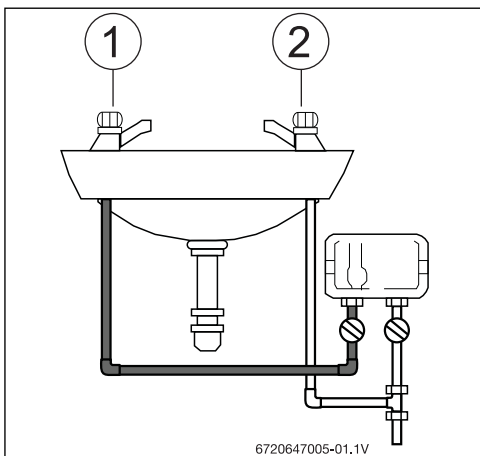


Fig. 6 Exemples d'installations (vue frontale)

- [1] Froid
- [2] Chaud

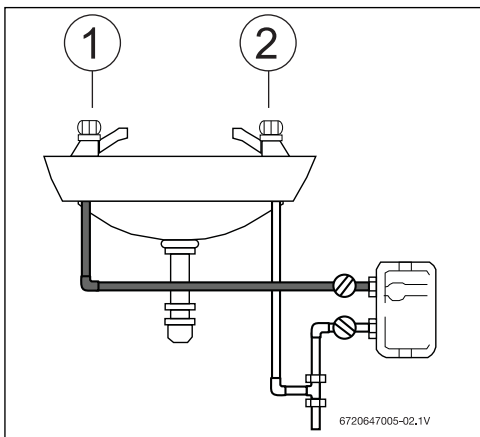


Fig. 7 Exemples d'installations (vue frontale)

- [1] Froid
- [2] Chaud

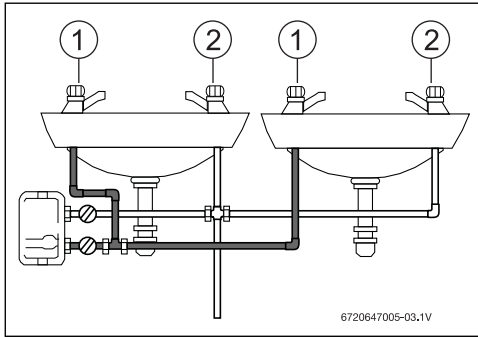


Fig. 8 Exemples d'installations (vue frontale)

- [1] Froid
- [2] Chaud

#### 4.5.2 Choix du chemin de câbles

Il est possible de passer le câble électrique soit par le bas du capot soit par l'arrière de l'unité,

- ▶ Si le passage par le bas du capot est choisi, découper la languette du capot pour mettre à nu la gaine en caoutchouc (Fig. 9) :

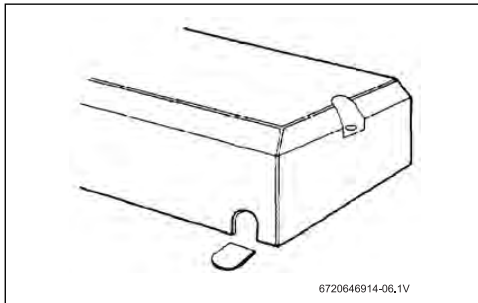


Fig. 9 Découpe de la languette du capot

- ▶ Si le passage par l'arrière du capot est choisi, découper le passe câble sur la plaque arrière avec un couteau bien aiguisé. Vérifier de ne pas retirer la gaine en caoutchouc de la plaque arrière (Fig. 10) :

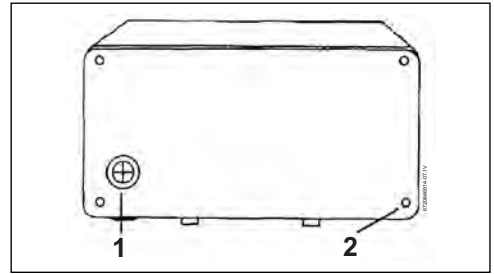


Fig. 10 Arrière de l'unité

- [1] Passe câble
- [2] Trous de fixation

- ▶ Passer le câble par le passe câble avant de monter l'unité sur le mur. En cas d'utilisation d'une garniture de câble agréée, retirer la gaine en caoutchouc.

#### 4.5.3 Fixation sur le mur

- ▶ Dévisser les vis de fixation du capot et retirer le capot. Maintenir la plaque arrière en position le long du mur et marquer les quatre trous de fixation.
- ▶ Percer les trous et fixer le chauffe-eau à l'aide des quatre vis à bois N°8 fournies.

**AVERTISSEMENT :**

- ▶ Ne pas installer de clapet de non retour à moins de 6 pieds de l'orifice d'entrée.

## 5 Mise en marche du Tronic 3000C Pro

**AVERTISSEMENT :**

- ▶ Ne pas utiliser l'unité s'il y a eu un risque de gel. Cela risque d'entraîner de sérieux dommages. Attendre jusqu'à être sûr que l'unité est complètement décongelée avant de la mettre en marche.

### 5.1 Point de puisage

**AVERTISSEMENT :**

Avant d'établir l'alimentation électrique du chauffe-eau:

- ▶ ouvrir le robinet de sectionnement d'eau froide de l'unité et ouvrir tous les robinets d'eau chaude alimentés par l'unité. Faire couler l'eau aux robinets jusqu'à ce que l'air soit totalement purgé de l'unité et de la tuyauterie.

- ▶ Vérifier que l'alimentation électrique du chauffe-eau est établie sur le tableau électrique.
- ▶ Ouvrir COMPLÈTEMENT le robinet d'eau chaude.  
Si le robinet n'est pas ouvert à fond, la température de l'eau peut varier. Régler la température de l'eau chaude au moyen du cadran de réglage et en ajustant la pression selon les paramètres prédéfinis.

Si l'unité a récemment été utilisée:

- ▶ Laisser couler l'eau quelques secondes pour que la température atteigne le point de réglage.  
Si l'unité a été récemment utilisée l'eau se trouvait dans les conduites depuis la dernière utilisation et peut être brûlante au début.

Si un second robinet raccordé à l'unité est également ouvert, l'eau chaude sera partagée entre les deux robinets et, par conséquent, le débit et/ou la température de l'eau risque de diminuer.

## 5.2 Réglage du débit

### Vérifier des fuites

- ▶ Vérifier que les vannes d'isolement sont ouvertes et vérifier l'absence de fuite au niveau des joints.
- ▶ Ouvrir à fond le robinet d'eau chaude au point de puisage.
- ▶ Régler la vanne d'isolement de sortie jusqu'à ce que l'eau coule à la température désirée, (augmenter le débit pour diminuer la température et diminuer le débit pour augmenter la température). → Voir le Table 4 , page 7 pour connaître la hausse de la température selon le débit.
- ▶ Vérifier que l'unité fonctionne correctement lorsque le robinet du point de puisage est fermé puis ouvert de nouveau ; dans le cas contraire, régler légèrement la vanne d'isolement.
- ▶ La température de l'eau chaude peut être réglée en ajustant le débit.



Lorsque l'eau chaude est utilisée pour un appareil sanitaire, ouvrir le robinet à fond. Pour ajuster la température de l'eau chaude, régler le débit d'eau chaude conformément à la Section 5.2.

### AVIS :

- ▶ Avant de quitter le site, l'installateur devra faire une démonstration de l'unité à l'utilisateur et lui remettre le présent guide.

### AVIS :

Lorsque l'unité est prévue pour alimenter un robinet à levier unique, l'alimentation en eau froide devra peut-être être limitée au niveau du robinet de puisage afin de réguler la pression de l'eau et améliorer le rendement.

## 6 Diagnostic de pannes



**AVERTISSEMENT :** Toujours couper l'alimentation électrique de l'unité avant de retirer le capot.

Si le problème persiste:

Contactez la personne qui a initialement installé le chauffe-eau pour toute aide. Vous pouvez également contacter Bosch Thermotechnology Corporation au 603-552-1100 ou sur le site [www.bosch-climate.us](http://www.bosch-climate.us). Veuillez avoir sous les yeux le présent guide au moment de l'appel.

### 6.1 Pour l'installateur

Symptôme	Cause	Solution
Eau froide seulement - lampe néon éteinte.	Pas d'alimentation électrique	Vérifier l'alimentation électrique.
	L'alimentation en eau est raccordée à la SORTIE de l'unité.	Raccorder l'alimentation d'eau à l'ENTRÉE (marquée en bleu).
	Le protecteur thermique haute température a disjoncté	Le réenclencher en ouvrant l'unité et en poussant sur le bouton du protecteur thermique (→ Fig. 3 ). Avant toute intervention, il est important de trouver la cause du problème.
	Le fluxostat ne fonctionne pas.	Couper l'alimentation électrique et vérifier que le fluxostat est actif lorsque l'arrivée d'eau est ouverte. Dans le cas contraire, contacter Bosch Thermotechnology 603-552-1100 <a href="http://www.bosch-climate.us">www.bosch-climate.us</a>
Eau trop froide - lampe néon allumée.	Le débit est trop élevé.	Régler le débit (→ Voir Table 4 ).
	Le sélecteur d'alimentation n'est pas vissé jusqu'en butée sur " HI "	Régler correctement le sélecteur sur " HI ", voir Fig. 5 .
	Un élément ne fonctionne pas.	Couper l'alimentation électrique et vérifier la résistance des éléments (→ Voir Table 4 ).
	La tension du réseau a chuté	Vérifier la tension au chauffe-eau. (→ Voir Table 4 ).
Le débit est trop faible, ou la température est trop élevée.	Il y a des restrictions de la tuyauterie	Contrôler la tuyauterie. Utiliser du ruban Téflon pour l'étanchéité des joints.

Tab. 7

### 6.2 Pour l'utilisateur

Symptôme	Cause	Solution
Débit faible ou pas de débit..	L'alimentation en eau est coupée.	Ouvrir l'alimentation générale complètement au robinet d'arrêt.
Eau froide seulement - lampe néon éteinte	Le flux n'est pas assez fort pour activer.	Ouvrir à fond la vanne d'isolement d'entrée.
L'eau est trop froide- lampe néon allumée.	Le débit est trop fort.	Régler le débit avec le robinet d'isolement de sortie d'eau chaude
	La température de l'eau à l'entrée a chuté.	Régler le cadran de réglage de la température sur l'avant du capot.
Le débit est trop faible	Le débit d'eau est trop faible.	Augmenter le débit.
	Le robinet d'eau chaude n'est pas ouvert à fond.	Régler la vanne à bille/d'arrêt pour atteindre la bonne température de l'eau avec le robinet ouvert à fond (→ voir section 5.2). Toujours ouvrir le robinet d'eau chaude à fond.

Tab. 8

Symptôme	Cause	Solution
La température de l'eau fluctue.	La fluctuation de la pression et/ou du débit de l'eau met en marche ou arrête le fluxostat.	Augmenter le débit.
		Vérifier que les vannes d'isolement sont correctement réglées.
		Vérifier que la grille du filtre d'entrée est propre
		Vérifier que les réducteurs et aérateurs de débit des douches / ou des robinets sont propres
		Vérifier qu'il n'y a pas de croisement de tuyauterie en coupant la vanne d'isolement d'entrée d'air et en ouvrant des sorties d'eau chaude avec le Tronic 3000C Pro. En cas d'écoulement permanent, l'eau froide s'écoule dans les conduites d'eau chaude et provoque une contre-pression du Tronic 3000C Pro. Il est important de réparer ce problème, pour que le chauffe-eau puisse fonctionner correctement.

Tab. 8

## 7 Liste des composants et des pièces internes

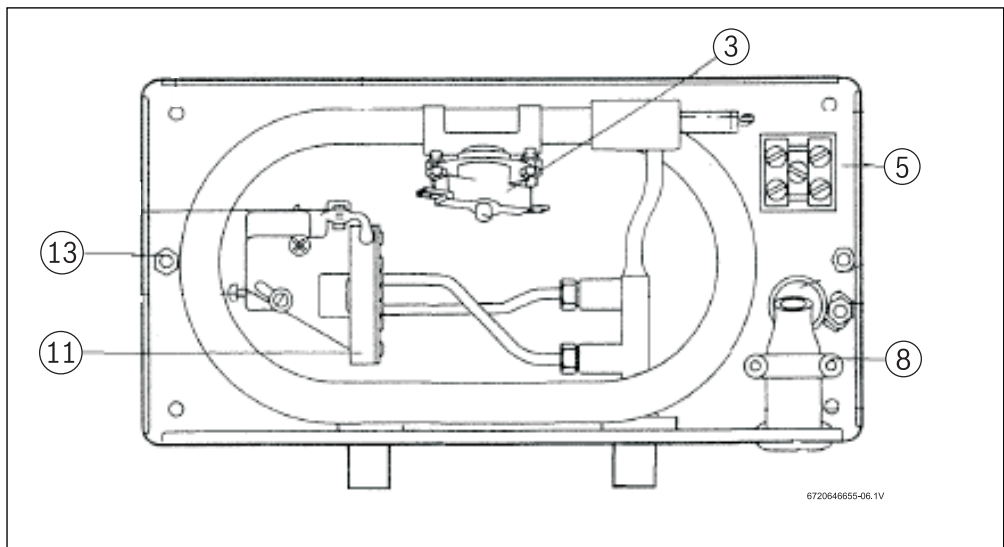


Fig. 11

Numéro	Code	Description du composant
3	8-738-700-866-0	Assemblage du protecteur thermique (à réenclenchement manuel)
5	8-738-700-869-0	Bornier
8	8-738-701-695-0	Serres câbles et gaine en caoutchouc
11	8-738-700-865-0	Fluxostat
13	8-738-700-862-0	Ensemble d'arrivée d'eau
---	8-738-701-708-0	Capot avant (pas indiqué)

Tab. 9

Pour plus d'information, consultez votre revendeur local.  
**POUR TOUTE QUESTION TECHNIQUE ET D'INSTALLATION,**  
**VEUILLEZ APPELER:**  
 Tel: 603-552-1100  
 Fax: 603-965-7581

Bosch Thermotechnology Corporation

Bosch Thermotechnology Corp.  
 50 Wentworth Avenue  
 Londonderry, NH 03053  
 Phone 603-552-1100  
 Fax 603-965-7581  
[www.bosch-climate.us](http://www.bosch-climate.us)  
[techsupport@bosch-climate.us](mailto:techsupport@bosch-climate.us)



**For Service & Installation contact:**

Bosch Thermotechnology Corp.

50 Wentworth Avenue

Londonderry, NH 03053

Tel. 603-552-1100

Fax 603-965-7581

[www.bosch-climate.us](http://www.bosch-climate.us)

U.S.A.