



# Valton™

25-11/16" undermount single-bowl kitchen sink  
**36597**

## Features

- 30" (762 mm) minimum base cabinet width
- 5-11/16" (144 mm) bowl depth for easy accessibility
- SilentShield® sound-absorption technology offers quieter performance
- 25-11/16" x 18-3/8" x 5-11/16" (652 x 467 x 144 mm)
- 3-7/8" (98 mm) drain opening
- No faucet holes; requires wall- or counter-mount faucet
- Sink rack, serving tray, and sink drain with strainer sold separately

## Material

- Premium 18-gauge stainless steel

## Installation

- Undermount
- Installation hardware and template included

## Recommended Products/Accessories

- 36600 Sink rack
- 36604 Serving Tray
- 7400 Stainless Steel Sink Drain and Strainer
- K-23726 Drain treatment
- K-23729 Stainless steel cleaner

## Included Components

- 91915 Hardware Kit



**ADA**

## Codes/Standards

ASME A112.19.3/CSA B45.4  
ADA  
ICC/ANSI A117.1

## STERLING® Stainless Steel Sinks Lifetime Limited Warranty

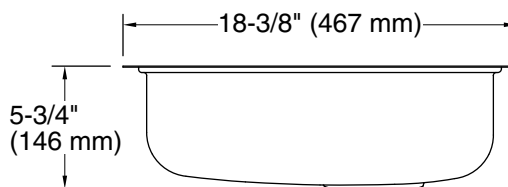
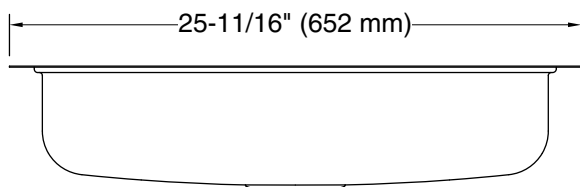
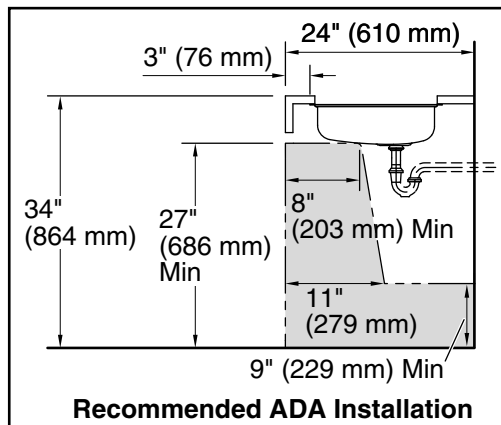
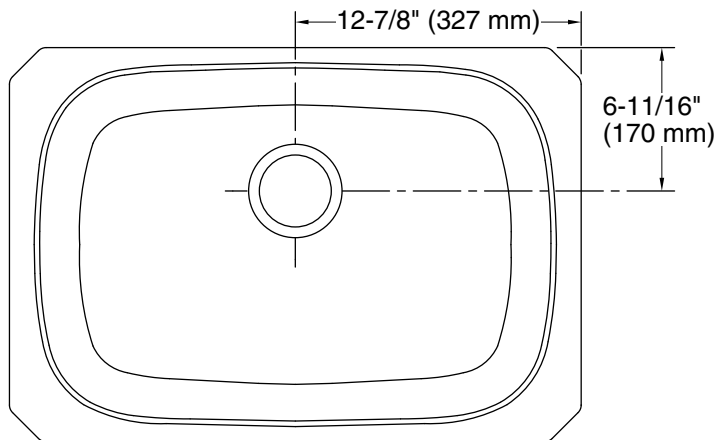
See website for detailed warranty information.

1-800-STERLING (1-800-783-7546)

Kohler Co. reserves the right to make revisions without notice to product specifications.

For the most current Specification Sheet, go to [www.sterlingplumbing.com](http://www.sterlingplumbing.com).

3-9-2026 19:55 - US/CA



**Technical Information**

All product dimensions are nominal.

Basin configuration: Single Bowl  
Min. base cabinet width: 30" (762 mm)

Bowl area (Basin #1): Length: 23-1/2" (597 mm)  
Width: 16-3/16" (410 mm)  
Water depth: 5-1/2" (140 mm)

Drain hole: 3-7/8" (98 mm)

Template: Undermount, 1619035-7, required, included

**Notes**

Install this product according to the installation instructions.

NOTICE: Countertop manufacturer or cutter must use the cut-out template provided with the product, or a current one provided by Kohler Co. (call 1-800-4KOHLER). Kohler Co. is not responsible for cutout errors when the incorrect cut-out template is used.

ADA compliant when installed to the specific requirements of these regulations.