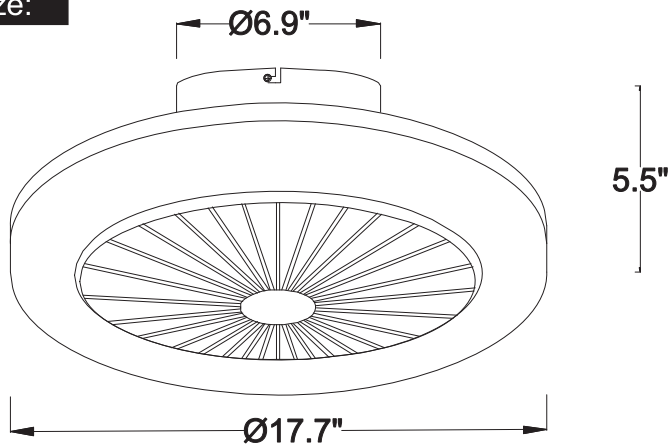


—User Manual

Size:



Installation instructions:

1

A

B

OFF

please confirm that the voltage matches the product, and turn off the power at the installation location to ensure safety.

2

Securely attach the mounting plate to the ceiling.

3

Connect the lamp driver input to the power source correctly and securely.

4

Rotate the lamp body to align the screws on the mounting plate with the holes on the leftmost hub.

5

Tighten the four screws on the mounting plate to ensure the fixture is securely installed.

6

C

ON

Turn on the power switch.

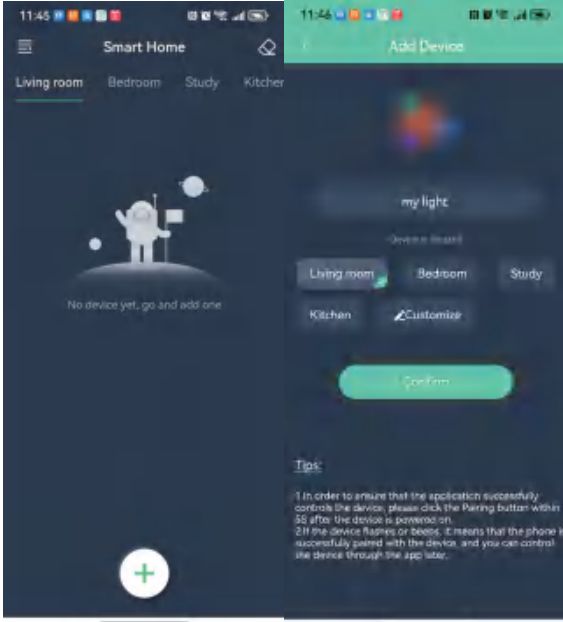
1.FanlampProAppInstructions


1.1.DownloadandinstallApp

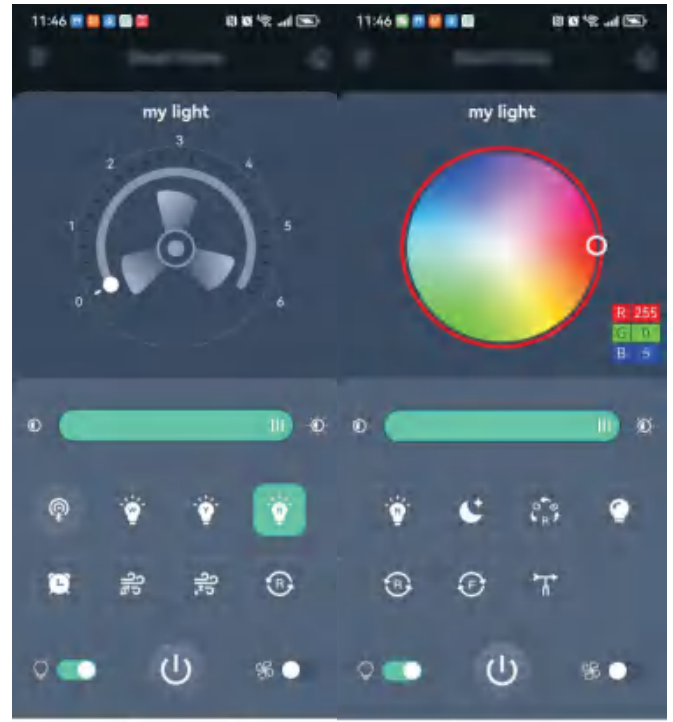


1.2.Deviceconfigurationandcontrol

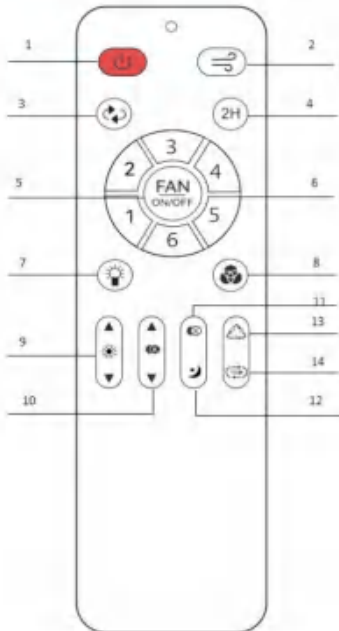
1.OpenyourPhoneBluetooth,thenopenFanlampProappadddevice'mylight'



2.Turn onFanlight,thentap ,theFanlightflashes3timesquickly,thenletgo;



2.RemoteControlInstructions



2.1.Pairc

Connectthedevice tothepowersupplyandconfirmthatthedevicecanworknormally(thelight turns onslowly);

Turnoffthepowerofthedevicefor5secondsandthenturnonthepoweragain;

LongpressButton1untilthedeviceflashes3timesquickly,thenletgo;

Thecodepairingoftheremotecontrolissuccessful.Atthistime,youcanpressthebuttonto controlthedevice.

2.2.Clearcode

Connectthedevice tothepowersupplyandconfirmthatthedevicecanworknormally(thelight turns onslowly);

Turnoffthepowerofthedevicefor5secondsandthenturnonthepoweragain;

LongpressButton2untilthedeviceflashes3timesquickly,thenletgo;

Theremotecontrolissuccessfullycleared.Atthistime,theremotecontrolcannolongercontrol thedeviceandneedstobere-pairedbeforeitcanbeused.

2.3.Control

Button1:Alloff,shortpresstoturnoffthemainlight&colorlight&fan;

Button2:Fanmode,shortpresstoswitchbetweennaturalandcomfortablewind;

Button3:Fandirection,shortpresstoswitchbetweenforwardandreverse;

Button4:2hourscountdowntimeroff, fan&whitelight&colorlightalloffatthesametime;

Button5:Fanswitch,shortpresstoturnon/offthefan;

Button6:Fanspeed,shortpresstoadjustthespeedof6levels;

Button7:Whitelightswitch,shortpresstoturnon/offthewhitelight;

Button8:Colorlightswitch,shortpresstoturnon/offcolorlight;

Button9:Brightnesadditionandsubtraction,shortpresstoadjustthebrightnessof10levels, andlongpresstoadjustthebrightnesssteplessly;

Button 10: Addition and subtraction of temperature, short press to adjust the 10-level temperature,longpresstoadjustthetemperaturesteplessly;

Button11:switchdifferentColorTemperature:Warm white/White/Coolwhite;

Button12:Nightlightmode;

Button13:Colorstaticcycleswitching(red,yellow,green,blue,purple,white);

Button14:Colordynamiccycleswitching.