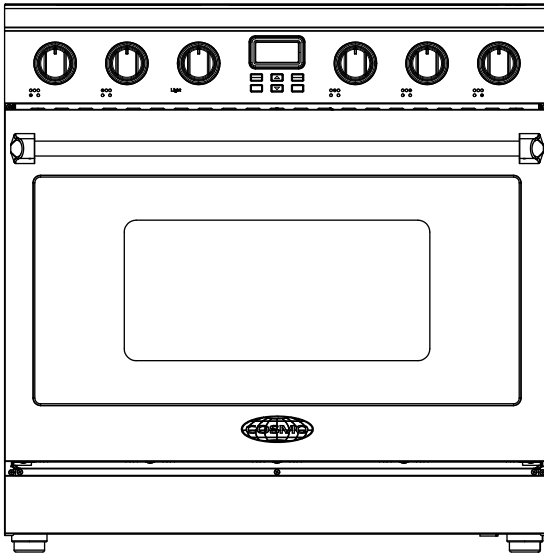




# ELECTRIC RANGE

## COS-ERC365KBD



## 36-in SLIDE-IN RANGE

### INSTALLATION INSTRUCTIONS

**IMPORTANT:** READ AND SAVE THESE INSTRUCTIONS.  
FOR RESIDENTIAL USE ONLY.

**INSTALLER:** PLEASE LEAVE THESE INSTRUCTIONS WITH THIS UNIT FOR  
THE OWNER.

**OWNER:** PLEASE RETAIN THESE INSTRUCTIONS FOR FUTURE  
REFERENCE.

# THANK YOU FOR YOUR PURCHASE

**Thank you for your purchase. We know that you have many brands and products to choose from and we are honored to know that you have decided to take one of our products into your home and hope that you enjoy it.**

COSMO Appliances are designed according to the strictest safety and performance standard for the North American market. We follow the most advanced manufacturing philosophy. Each appliance leaves the factory after thorough quality inspection and testing. Our distributors and our service partners are ready to answer any questions you may have regarding how to install, use and care for your products. We hope that this manual will help you learn to use the product in the safest and most effective manner.

**Before using this product, please read through this manual carefully.** Keep this user manual in a safe place for future reference. Please ensure that other persons using this product are familiar with these instructions as well.

If you have any questions or concerns, please contact the dealer from whom you purchased the product, or contact our Customer Support at:

**1-888-784-3108**

Reach us online at:

**[www.cosmoappliances.com](http://www.cosmoappliances.com)**

# TABLE OF CONTENTS

<b>RANGE SAFETY</b> .....	<b>4</b>
Anti-tip Device .....	5
<b>INSTALLATION REQUIREMENTS</b> .....	<b>6</b>
Tools and Parts .....	6
Location Requirements .....	8
Product Specifications.....	9
Product Dimensions .....	10
Clearances.....	11
Electrical Requirements.....	13
<b>INSTALLATION INSTRUCTIONS</b> .....	<b>16</b>
Remove Old Appliance .....	16
Unpack Range .....	17
Install Rear Rubber Pads (Optional) .....	18
Install Anti-tip Device .....	19
Electrical Connection.....	22
Connecting the Power Cord / Conduit.....	22
3-Wire Connection: Power Cord.....	24
4-Wire Connection: Power Cord.....	25
3-Wire Connection: Conduit.....	26
4-Wire Connection: Conduit.....	27
Install/Remove Oven Door Handle.....	29
Install/Remove Control Knobs .....	31
Complete Installation.....	32
Placement and Leveling Range .....	32
Verify Anti-tip Bracket Engagement.....	34
Removing/Assembling Oven Door.....	35
Checking Operation of the Surface Heating Elements .....	37
Checking Operation of the Oven .....	38

# RANGE SAFETY

## READ ALL INSTRUCTIONS BEFORE USING THE APPLIANCE

**Your safety and the safety of others are very important.**

We have provided many important safety messages in this manual and on your appliance. Always read and obey all safety messages.



This is the safety alert symbol.

This symbol alerts you to potential hazards that can kill or hurt you and others.

All safety messages will follow the safety alert symbol and either the word "WARNING" or "CAUTION." These words mean:



You can be killed or seriously injured if you don't follow instructions.



A potentially hazardous situation which, if not avoided, could result in minor or moderate injury.

All safety messages will tell you what the potential hazard is, tell you how to reduce the chance of injury, and tell you what can happen if the instructions are not followed.

### California Proposition 65 Warning

 **WARNING:**

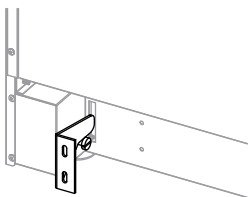
Cancer and Reproductive Harm - [www.P65Warnings.ca.gov](http://www.P65Warnings.ca.gov).

## **WARNING**



### **TIP OVER HAZARD**

- A child or adult can tip the range and be killed.
- Install anti-tip bracket to wall per installation instructions.
- Slide range back so rear range pin is engaged under the anti-tip bracket.
- Re-engage the anti-tip bracket if range is moved.
- Do not operate the range without anti-tip bracket installed and engaged.
- Failure to follow these instructions can result in death or serious burns to children and adults.



Making sure the anti-tip bracket is installed:

- Slide range forward.
- Look for the anti-tip bracket securely attached to wall.
- Slide range back and make sure the rear pin slides under the anti-tip bracket.

## **WARNING**

- This appliance is intended for normal residential use. It is not approved for commercial use, outdoor installation, or any other application not specifically allowed by this manual.
- This appliance requires connection to a 3-prong or 4-prong, 240VAC single-phase (split-phase), 60Hz grounded electrical source. When installed, appliance must be electrically grounded in accordance with local codes or, in the absence of local codes, with the National Electrical Code, NFPA 70 or the Canadian Electric Code, CSA C22.1-02.
- Proper installation is the responsibility of the installer. Any adjustment and service should be performed only by qualified range installers or service technicians.
- Product failure due to improper installation is not covered under warranty.

# INSTALLATION REQUIREMENTS

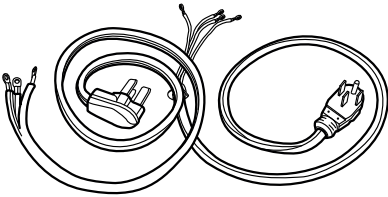
## TOOLS AND PARTS

Gather the required tools and parts before starting installation. Read and follow the instructions provided with any tools listed here.

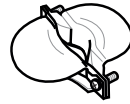
### Tools Needed

- Tape measure
- Phillips screwdriver
- Level
- Drill and drill bit (for anti-tip bracket installation)
- Adjustable wrench or pliers
- Marker or pencil
- Safety glasses
- Gloves

### Parts Needed

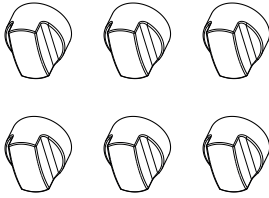


4-Wire cord or 3-Wire cord  
(UL approved 40 or 50 AMP)

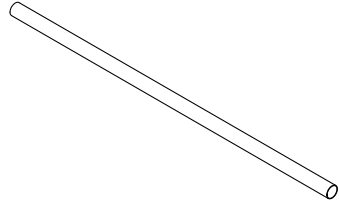


Strain Relief

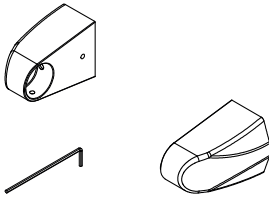
## Parts Supplied



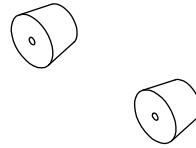
Control knobs (6)



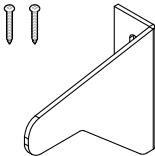
Oven door handle



Handle end caps with set screws (2)



Rear rubber pads (2)



Anti-tip bracket with mounting screws

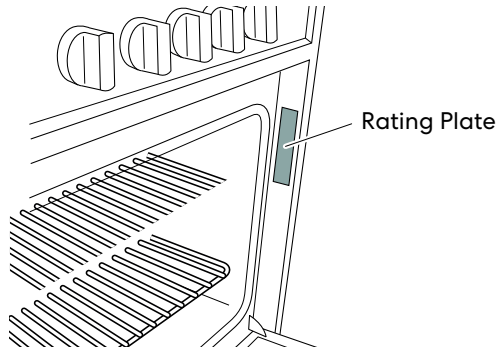
### NOTE:

- To purchase these replacement parts or any other accessories, please visit [www.cosmoappliances.com](http://www.cosmoappliances.com) or reference the contact information at the end of this manual.

# LOCATION REQUIREMENTS

**IMPORTANT:** Observe all governing codes and ordinances. Do not obstruct flow of combustion and ventilation air.

- It is the installer's responsibility to comply with installation clearances specified on the model/serial/rating plate. The model/serial/rating plate is located behind the oven door on the oven frame, and is also on the back panel of the range.



- The range should be located for convenient use in the kitchen.
- Recessed installations must provide complete enclosure of the sides and rear of the range.
- To eliminate the risk of burns or fire by reaching over heated surface units, cabinet storage space located above the surface units should be avoided. If cabinet storage is to be provided, the risk can be reduced by installing a range hood or microwave hood combination that projects horizontally a minimum of 5" (12.7 cm) beyond the bottom of the cabinets.
- All openings in the wall or floor where range is to be installed must be sealed.
- Do not seal the range to the side cabinets.
- Cabinet opening dimensions that are shown must be used.
- The anti-tip bracket must be installed.
- Grounded electrical supply is required. See "Electrical Requirements" section.
- Contact a qualified floor covering installer to check that the floor covering can withstand at least 167°F (75°C).
- Use an insulated pad or 1/4" (0.64 cm) plywood under range if installing range over carpeting.



**IMPORTANT:** To avoid damage to your cabinets, check with your builder or cabinet supplier to make sure that the materials used will not discolor, delaminate, or sustain other damage.

### Mobile Home - Additional Installation Requirements

- The installation of this range must conform to the Manufactured Home Construction and Safety Standard, Title 24 CFR, Part 3280 (formerly the Federal Standard for Mobile Home Construction and Safety, Title 24, HUD Part 280). When such standard is not applicable, use the Standard for Manufactured Home Installations, ANSI A225.1/NFPA 501A or with local codes.

In Canada, the installation of this range must conform with the current standards CAN/CSA-A240-latest edition, or with local codes.

### Mobile Home Installations Require:

- When this range is installed in a mobile home, it must be secured to the floor during transit. Any method of securing the range is adequate as long as it conforms to the standards listed above.
- Four-wire power supply cord or cable must be used in a mobile home installation. The appliance wiring will need to be revised. See "Electrical Connection" section.

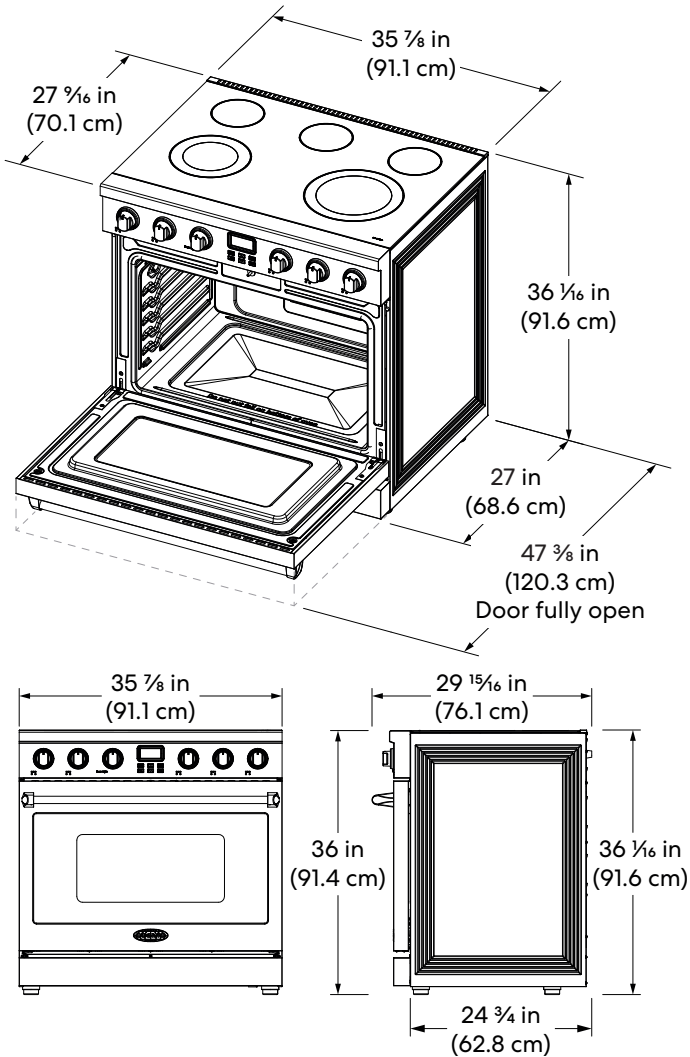
## PRODUCT SPECIFICATIONS

<b>Model</b>	COS-ERC365KBD
<b>Description</b>	36" Electric Range
<b>Oven Capacity</b>	6.0 cu. ft.
<b>Electrical Requirements</b>	120/240VAC 60Hz, 120/208VAC 60Hz
<b>Power Ratings</b>	Refer to Rating Plate
<b>Exterior Dimensions (WxDxH)</b>	35 7/8" x 29 15/16" x 36 1/16" (91.1 x 76.1 x 91.6 cm)
<b>Height to Cooking Surface</b>	36" - 39" (91.4 - 99.1 cm)
<b>Net Weight</b>	199 lb (90.3 kg)

# PRODUCT DIMENSIONS

Your model may appear different from the model depicted. Dimensions given are maximum dimensions.

## COS-ERC365KBD



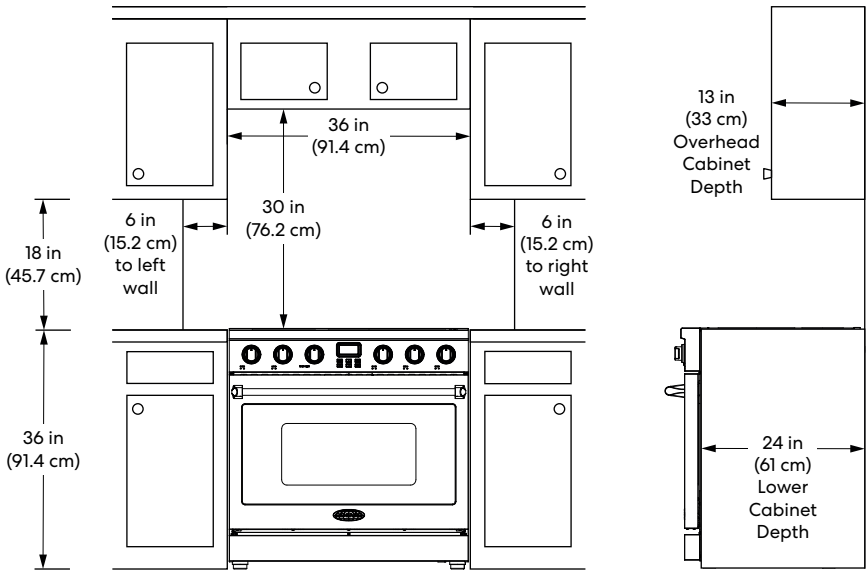
### **NOTE:**

- Range can be raised approximately 3" (7.6 cm) by adjusting the leveling legs.

# CLEARANCES

**IMPORTANT:** Some cabinet and building materials are not designed to withstand the heat produced by the oven for baking and self-cleaning. Check with your builder or cabinet supplier to make sure that the materials used will not discolor, delaminate or sustain other damage.

**GIVEN DIMENSIONS ARE MINIMUM CLEARANCES.**

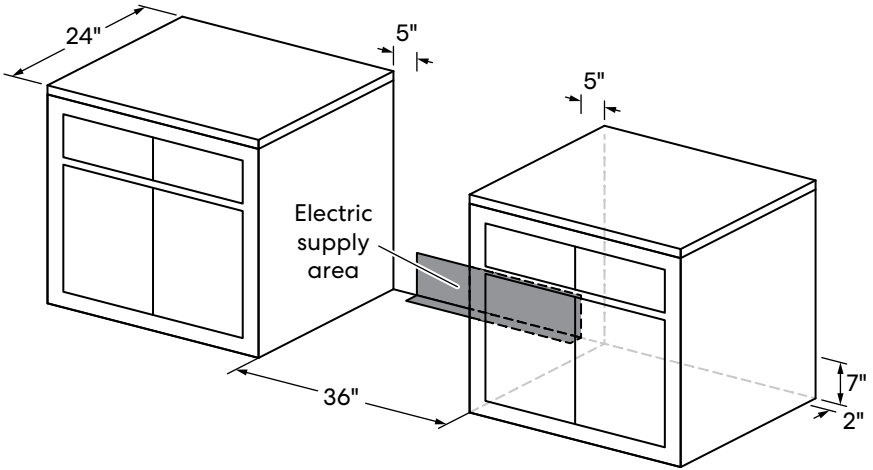


## NOTE:

- 30" (76.2 cm) minimum clearance between cooking surface and bottom of the overhead cabinet.
- 18" (45.7 cm) minimum clearance from upper cabinet to countertop on either side of unit.
- Island Installations: Maintain 6" (15.2 cm) minimum clearance from cutout to back and side edges of countertop.

## Power Supply Location

**IMPORTANT:** An electrical outlet in the floor, may be either recessed or surface mounted, but an electrical outlet in the wall must be recessed to make the connection.



# ELECTRICAL REQUIREMENTS

## **WARNING**



### **ELECTRICAL SHOCK HAZARD**

- Do not use an extension cord with this appliance.
- Remove house fuse or open circuit breaker before beginning installation.

### **ELECTRICAL GROUNDING INSTRUCTIONS**

- This appliance must be properly grounded.
- All new constructions, mobile homes, recreational vehicles and installations where local codes do not allow grounding through neutral, require a 4-conductor UL-listed range cord.

## **U.S.A. ONLY**

Be sure that the electrical connection and wire size are adequate and in conformance with the National Electrical Code, ANSI/NFPA No. 70 - latest edition and all local codes and ordinances.

A copy of the above code standards can be obtained from:

National Fire Protection Association  
1 Batterymarch Park  
Quincy, MA 02169

## **CANADA ONLY**

Be sure that the electrical connection and wire size are adequate and in conformance with the CSA Standard C22.1, Canadian Electrical Code, Part 1 - latest edition and all local codes and ordinances.

A copy of the above code standards can be obtained from:

Canadian Standards Association  
178 Rexdale Blvd.  
Toronto, ON M9W 1R3 CANADA

## ELECTRICAL CONNECTION

If codes permit and a separate ground wire is used, it is recommended that a qualified electrical installer determine that the ground path and wire gauge are in accordance with local codes.

**WARNING:** Improper connection of the equipment-grounding conductor can result in a risk of electric shock. Check with a qualified electrician or service technician if you are in doubt as to whether the appliance is properly grounded. Do not modify the power supply cord plug. If it will not fit the outlet, have a proper outlet installed by a qualified electrician.

To properly install your range, you must determine the type of electrical connection you will be using and follow the instructions provided for it here.

- This appliance must be supplied with the proper voltage and frequency, and connected to an individual, properly grounded, 40 amp (minimum) branch circuit protected by a circuit breaker or time-delay fuse.
- A single-phase (split-phase), 3-wire or 4-wire, 120/208 VAC or 120/240 VAC, 60 hertz electrical system must be used. It is the personal responsibility of the range owner to provide the correct electrical service for this range.
- Effective January 1, 1996, the National Electrical Code requires that new construction (not existing) utilize a 4-conductor connection to an electric range. When installing an electric range in new construction, mobile home, recreational vehicle, or an area where local codes prohibit grounding through the neutral conductor.
- This range may be connected by means of a conduit or power cord.
- A range cord rated at 40 amps with 125/250 minimum volt range is required. If a 50 amp range cord is used, it should be marked for use with 1 3/8" (35 mm) diameter connection openings. Care should be taken to center the cable and strain relief within the knockout hole to keep the edge from damaging the cable.
- Use only a 3-conductor or a 4-conductor UL-listed range cord. These cords may be provided with ring terminals on wire and a strain relief device.
- Allow 2 to 3 ft (61.0 to 91.4 cm) of slack in the line so that the range can be moved if servicing is ever necessary.
- A UL Listed conduit connector must be provided at each end of the power supply cable (at the range and at the junction box).
- The power supply cord and plug should not be modified. If it will not fit the outlet, have a proper outlet installed by a qualified electrician.

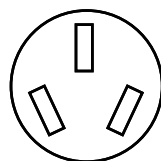
- Using an extension cord to connect the power is prohibited. Connect the power cord and plug directly.
- Wire sizes and connections must conform with the rating of the range.
- If using a GFI breaker, the ground wire must be installed correctly to prevent breaker from tripping. Refer to latest edition of the NEC, NFPA No. 70, available from the National Fire Protection Association.
- The wiring diagram is located on the back of the range.

### If Connecting to a 3-Wire System:

Local codes may permit the use of a UL listed, 3-wire, 250-volt, 40- or 50-amp range power supply cord (pigtail).

This cord contains 3 copper conductors with ring terminals or open-end spade terminals with upturned ends, terminating in a NEMA Type 10-50P plug on the supply end.

Connectors on the appliance end must be provided at the point the power supply cord enters the appliance. This uses a 3-wire receptacle of NEMA Type 10-50R.



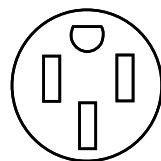
3-wire receptacle (10-50R)

### If Connecting to a 4-Wire System:

This range is manufactured with the ground connected to the link. The ground must be revised so the green ground wire of the 4-wire power supply cord is connected to the cabinet.

Grounding through the neutral conductor is prohibited for new branch-circuit installations (1996 NEC); mobile homes; and recreational vehicles, or an area where local codes prohibit grounding through the neutral conductor.

When a 4-wire receptacle of NEMA Type 14-50R is used, a matching UL listed, 4-wire, 250-volt, 40- or 50-amp, range power supply cord (pigtail) must be used. This cord contains 4 copper conductors with ring terminals or open-end spade terminals with upturned ends, terminating in a NEMA Type 14-50P plug on the supply end.



4-wire receptacle (14-50R)

The fourth (grounding) conductor must be identified by a green or green/yellow cover and the neutral conductor by a white cover. Cord should be Type SRD or SRDT with a UL listed strain relief and be at least 4 ft (1.22 m) long.

# INSTALLATION INSTRUCTIONS

**IMPORTANT:** This appliance shall be installed only by authorized persons and in accordance with the manufacturer's installation instructions, municipal building codes, and electrical wiring regulations.

## REMOVE OLD APPLIANCE

### **WARNING**



#### **ELECTRICAL SHOCK HAZARD**

- Remove house fuse or open circuit breaker to disconnect power before servicing. Failure to do so can result in death, fire, or electrical shock.

### **WARNING**

#### **EXCESSIVE WEIGHT HAZARD**

- Use two or more people to move and install range. Failure to do so can result in back or other injury.

### **CAUTION**

#### **LACERATION, FOREIGN OBJECT, CRUSH HAZARD**

- When installing, moving, or servicing any appliance, wear proper protective equipment, including cut resistant gloves, steel-toed shoes, and safety glasses.

1. Shut off the electrical supply to the old range at the breaker box or fuse box. Leave it off until the installation has been completed. For old ranges with gas connection, shut off the gas supply valve to the range leave it off.



2. Move appliance to access the electrical connection and gas connection if applicable.
3. Disconnect electrical connection and gas connection if applicable, and move appliance out of and away from installation space.

## UNPACK RANGE

### **WARNING**

#### **EXCESSIVE WEIGHT HAZARD**

- Use two or more people to move and install range. Failure to do so can result in back or other injury.

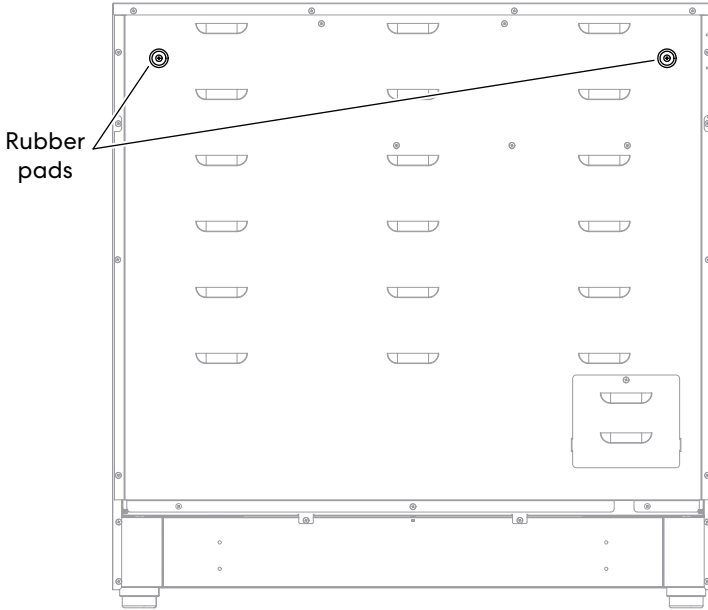
1. Remove all tape and packaging materials. Check for film on stainless steel parts, padding/spacers on and around door and face of oven, cardboard and plastic on and around racks, etc. Failure to remove packaging materials could result in damage to the appliance. Do not dispose of anything until the installation is complete.

#### **NOTE:**

- Do not remove any warning-type labels, the model and serial number label, or the Tech Sheet that is located on the back of the range.
- Do not use sharp instruments, rubbing alcohol, flammable fluids, or abrasive cleaners to remove tape or glue. These products can damage the surface of your range.
- Do not push or pull the range by grabbing the open oven door or cooktop only. Doing so can result in serious damage to the range.
- Do not lift the range using the cooktop or oven door handle. Doing so can cause damage and improper operation of the range.
- To reduce the weight of the range while being moved, adjusted, and installed, detach the oven door from the range. See "Removing/Assembling Oven Door" section.

# INSTALL REAR RUBBER PADS (OPTIONAL)

1. Locate the rubber pads from the parts bag.
2. Install the rubber pads to the back panel of range. Do not overtighten.



# INSTALL ANTI-TIP DEVICE

## WARNING

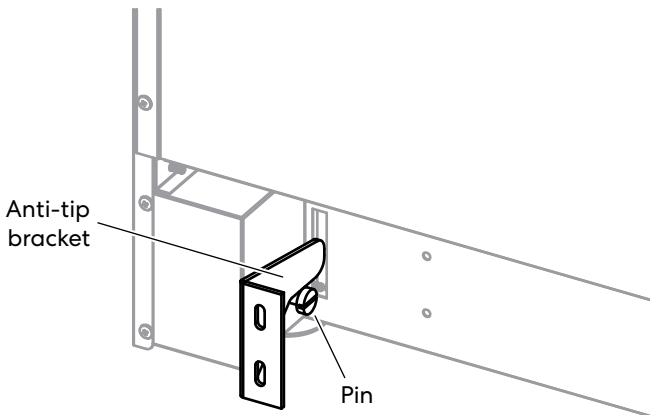


### TIP OVER HAZARD

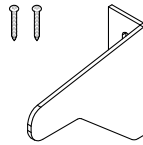
- A child or adult can tip the range and be killed.
- Install anti-tip bracket to wall per installation instructions.
- Slide range back so rear range pin is engaged under the anti-tip bracket.
- Re-engage the anti-tip bracket if range is moved.
- Do not operate the range without anti-tip bracket installed and engaged.
- Failure to follow these instructions can result in death or serious burns to children and adults.

### IMPORTANT:

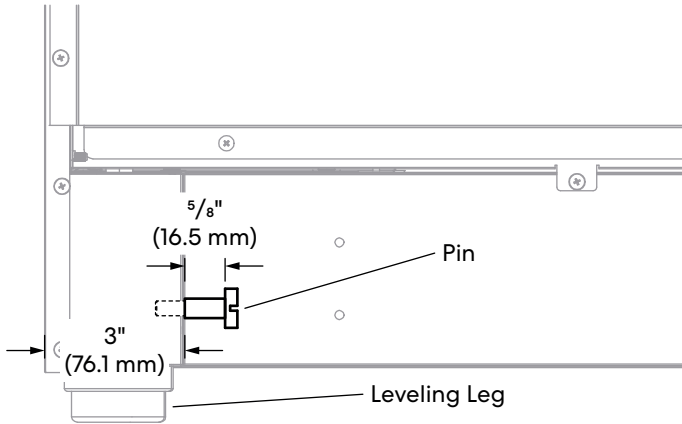
- An anti-tip bracket is provided with the range. The anti-tip bracket uses a pin near the rear bottom of the range to secure the range to the floor.
- Attach the anti-tip bracket to the wall so that the pin near the rear bottom of the range will be centered below the arm of the anti-tip bracket when the range is pushed into its final position.



1. Locate and remove the anti-tip bracket and mounting screws from the parts bag.



2. Locate the pin on the back of the range near the bottom corner.

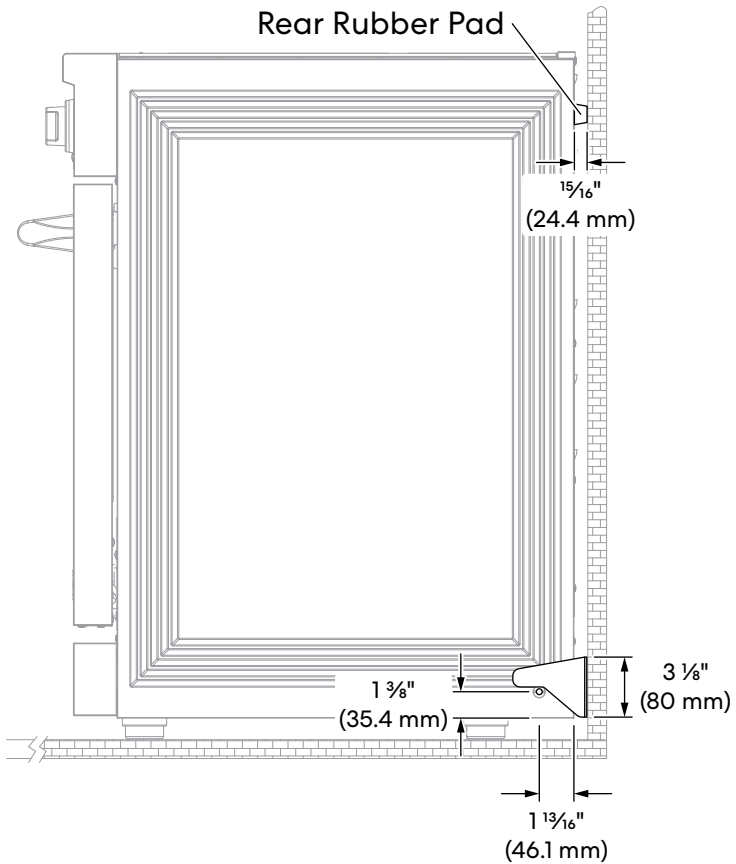


3. Locate the preferred location on the wall for installation of the anti-tip bracket. The pin must be engaged under the arm of anti-tip bracket when sliding range into final position.

- The top of the anti-tip bracket should be at least 4 1/4" (107 mm) above floor with the leveling legs fully contracted.
- The edge of the anti-tip bracket arm should be between 3" (76.1 mm) and 3 9/16" (90.6 mm) from the side panel of the range.

**NOTE:**

- Height given here is minimum clearance with the leveling legs of the range fully contracted. If the leveling legs are to be extended to level the cooking surface with the countertop, the anti-tip bracket position should also be raised by the same amount.
- It is recommended to adjust leveling legs as necessary first, then hold the anti-tip bracket level above the pin with the pin engaged under the arm, and measure the final height from the floor to the top of the anti-tip bracket.



4. Mark the location of the anti-tip bracket screw holes on the wall.
5. Drill an appropriate hole where screws are to be located. Screw must enter wood.
6. Secure anti-tip bracket to wall with the screws provided.

# ELECTRICAL CONNECTION

## WARNING

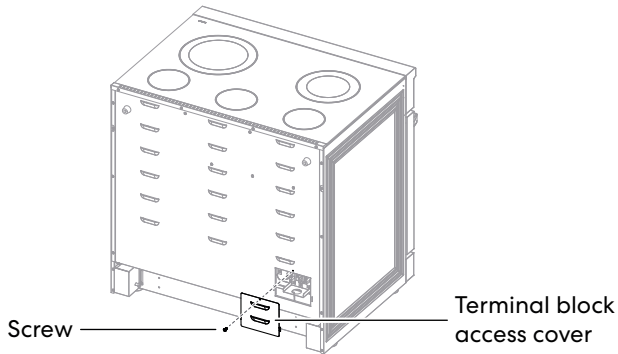


### ELECTRICAL SHOCK HAZARD

- Remove house fuse or open circuit breaker to disconnect power before servicing.
- This appliance must be properly grounded.
- Do not use an adapter or an extension cord.
- Failure to do so can result in death, fire, or electrical shock.

## CONNECTING THE POWER CORD / CONDUIT

1. Access the range electrical terminal block by removing the screw attaching the lower terminal block access cover on the back of the range.



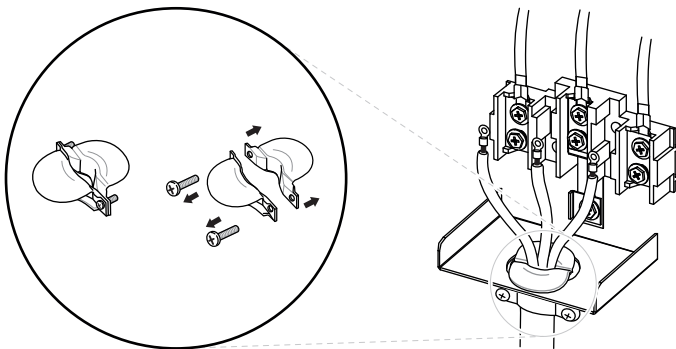
2. Install the power cord or conduit.

### NOTE:

- Do not install the power cord or conduit without a strain relief. The strain relief bracket must be installed before replacing the terminal block access cover.

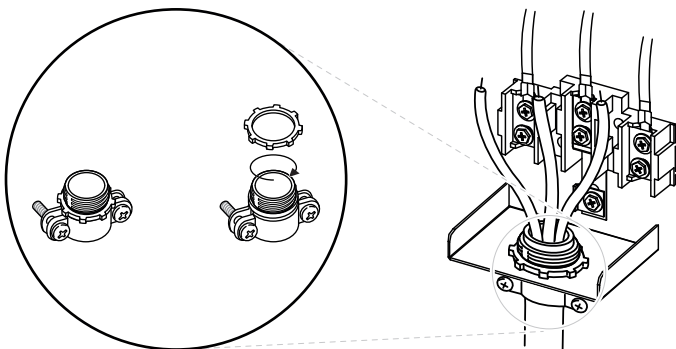
### For power cord installations

- Hook the strain relief over the power cord hole below the terminal block. Insert the power cord through the strain relief and tighten it. Allow enough slack to easily attach the cord terminals to the terminal block.



### For conduit installations

- Strip outer covering back 3" (7.6 cm) to expose wires.
- Strip the insulation back 3/8" (1.0 cm) from the end of each wire.
- Insert the conduit strain relief in the conduit hole below the terminal block. Install the conduit through the body of the strain relief and fasten the strain relief with its ring. Allow enough slack to easily attach the wires to the terminal block.



### 3. Complete installation following instructions for your type of electrical connection:

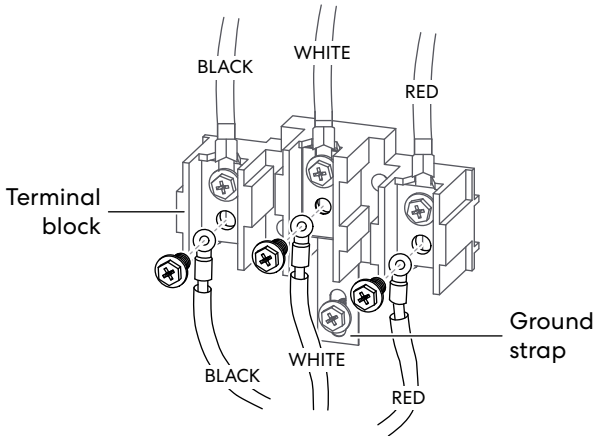
- 4-wire (recommended)
- 3-wire (if 4-wire is not available)

### 3-WIRE CONNECTION: POWER CORD

Use this method only if local codes permit connecting chassis ground conductor to neutral wire of power supply cord.

## WARNING

- The neutral or ground wire of the power cord must be connected to the neutral terminal located in the lower center of the terminal block and the ground strap must connect the neutral terminal to the ground plate. The power leads must be connected to the lower left and the lower right terminals of the terminal block. Failure to do so can result in electrical shock, severe personal injury or death.
- Do not remove the ground strap connection.



1. Remove and retain the lower 3 terminal screws from the terminal block. Do not remove the ground strap connection.
2. Insert the 3 terminal screws through each power cord terminal ring and into the lower terminals of the terminal block. Make sure that the neutral (white) wire is connected to the lower center position of the terminal block.
3. Tighten the 3 terminal screws securely into the terminal block, and replace the terminal block access cover.



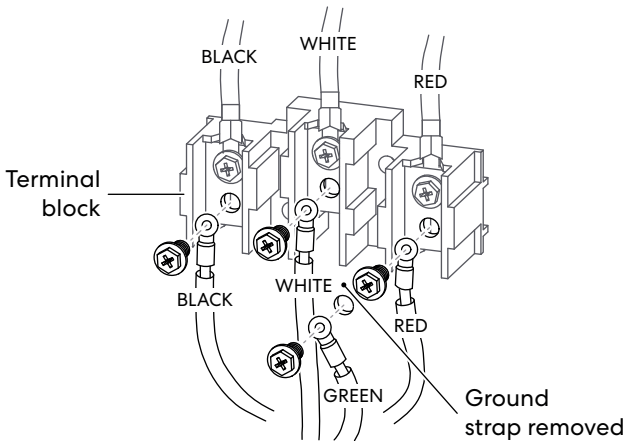
## 4-WIRE CONNECTION: POWER CORD

Use this method for:

- New branch-circuit installations (1996 NEC)
- Mobile homes
- Recreational vehicles
- Areas where local codes prohibit grounding through the neutral

### WARNING

- The neutral wire of the supply circuit must be connected to the neutral terminal located in the lower center of the terminal block. The power leads must be connected to the lower left and the lower right terminals of the terminal block. The grounding lead must be connected to the frame of the range with the ground screw. Failure to do so can result in electrical shock, severe personal injury or death.



1. Remove and retain the lower 3 terminal screws from the terminal block.
2. Remove the ground screw. Remove or cut part of metal ground strap.
3. Insert the ground screw into the power cord ground (green) wire terminal ring, and secure it to the frame of the range.

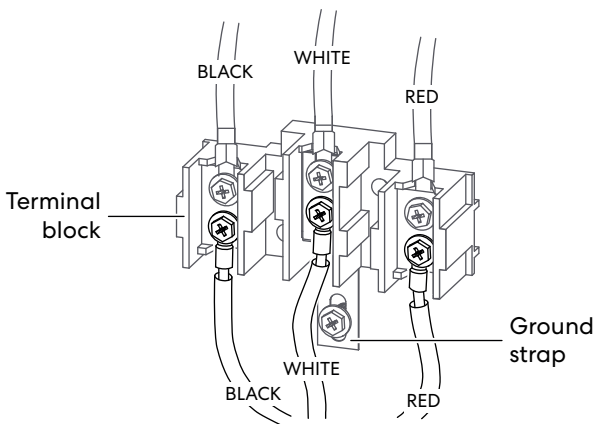
4. Insert the 3 terminal screws through each power cord terminal ring and into the lower terminals of the terminal block. Make sure that the neutral (white) wire is connected to the lower center position of the terminal block.
5. Tighten the 3 terminal screws securely into the terminal block, and replace the terminal block access cover.

### 3-WIRE CONNECTION: CONDUIT

Use this method only if local codes permit connecting ground conductor to neutral supply wire.

## WARNING

- The neutral or ground wire of the power cord must be connected to the neutral terminal located in the lower center of the terminal block and the ground strap must connect the neutral terminal to the ground plate. The power leads must be connected to the lower left and the lower right terminals of the terminal block. Failure to do so can result in electrical shock, severe personal injury or death.
- Do not remove the ground strap connection.



1. Loosen the lower 3 terminal screws from the terminal block. Do not remove the ground strap connection.

2. Insert the bare neutral (white) wire end through the lower center terminal block opening.
3. Insert the two side bare wire ends into the lower left and the lower right terminal block openings.
4. Tighten the 3 terminal screws securely into the terminal block, and replace the terminal block access cover.

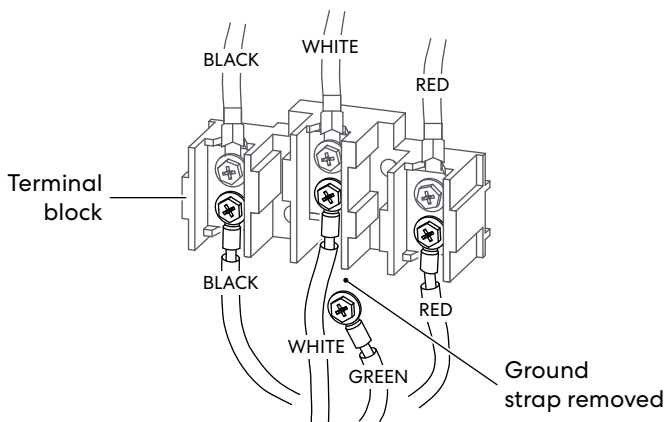
## 4-WIRE CONNECTION: CONDUIT

Use this method for:

- New branch-circuit installations (1996 NEC)
- Mobile homes / Recreational vehicles
- Areas where local codes prohibit grounding through the neutral

### **WARNING**

- The neutral wire of the supply circuit must be connected to the neutral terminal located in the lower center of the terminal block. The power leads must be connected to the lower left and the lower right terminals of the terminal block. The grounding lead must be connected to the frame of the range with the ground screw. Failure to do so can result in electrical shock, severe personal injury or death.



- 1.** Loosen the 2 lower left and lower right terminal screws from the terminal block.
- 2.** Remove the lower center terminal screw and the ground screw. Remove or cut part of metal ground strap.
- 3.** Attach the bare ground (green) wire end to the range frame and secure it in place with the ground screw.
- 4.** Insert the bare neutral (white) wire end through the lower center terminal block opening.
- 5.** Insert the two side bare wire ends into the lower left and the lower right terminal block openings.
- 6.** Tighten the 3 terminal screws securely into the terminal block, and replace the terminal block access cover.

# INSTALL/REMOVE OVEN DOOR HANDLE

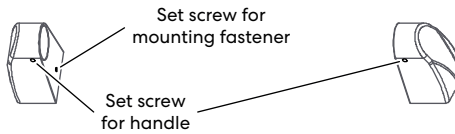
Be very careful not to scratch the surface of the unit. The appearance of the handle may vary from what is shown below, but the installation will be the same.

## Tool Needed

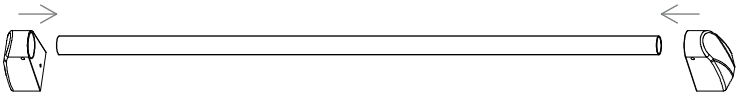
- Hex key (provided)

## Installing the Handle

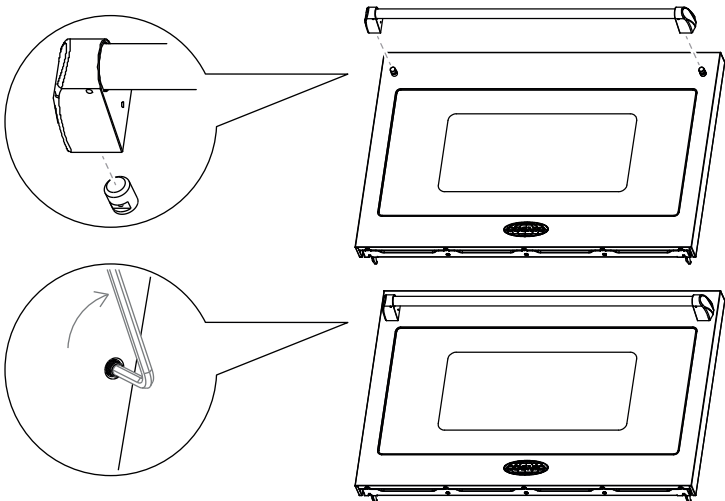
1. Partially loosen the set screws in the handle end caps with the Hex key.



2. Attach handle end cap over each end of the handle, and slightly tighten the set screws for handle.

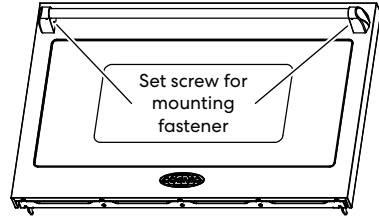


3. Place the handle on the door by fitting the handle end cap footprints over the mounting fasteners and tightening all set screws with the Hex key.

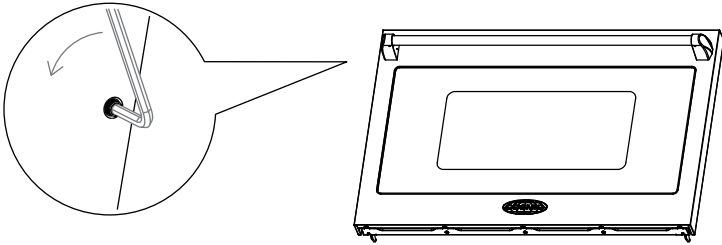


## Removing the Handle

1. Locate the set screws for mounting fastener on the handle end caps.

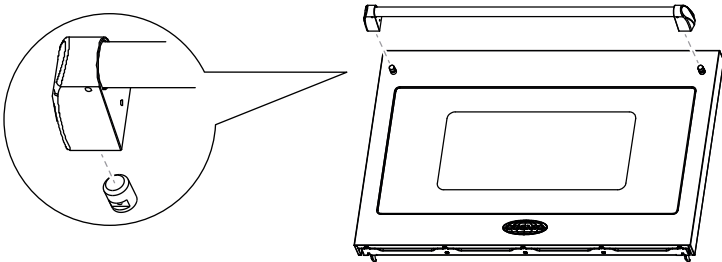


2. Loosen the set screw on one end with the Hex key while supporting the handle. Do not remove the set screw from the handle end cap.



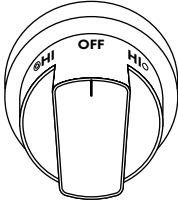
3. Keep supporting the handle while loosening the set screw on the other handle end cap.

4. Remove the handle from the mounting fasteners on the door and set aside.

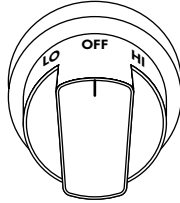


# INSTALL/REMOVE CONTROL KNOBS

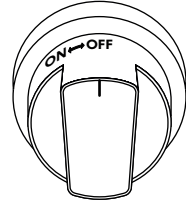
Be very careful not to scratch the surface of the unit. The appearance of the knobs may vary from what are shown below.



Cooktop Knob  
(Dual Element)

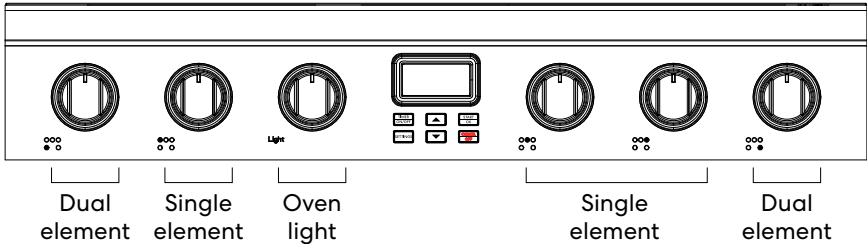


Cooktop Knob  
(Single Element)



Oven Light Knob

## COS-ERC365KBD (36")



## Installing the Control Knob

1. Hold the knob in an upright position with the OFF marking facing upward. Observe the open part centered on the back of the knob.
2. Place and align the open part on the back of the knob over the control stem that is sticking out of the control panel.
3. Press the knob onto the stem, and make sure the knob is in the OFF position.

## Removing the Control Knob

1. Pull the knob straight off the stem.

# COMPLETE INSTALLATION

## PLACEMENT AND LEVELING RANGE

### **WARNING**



#### **ELECTRICAL SHOCK HAZARD**

- Plug into a grounded outlet.
- Do not use an adapter or an extension cord.
- Failure to do so can result in death, fire, or electrical shock.

### **WARNING**

#### **EXCESSIVE WEIGHT HAZARD**

- Use two or more people to move and install range. Failure to do so can result in back or other injury.

### **CAUTION**

#### **LACERATION, FOREIGN OBJECT, CRUSH HAZARD**

- When installing, moving, or servicing any appliance, wear proper protective equipment, including cut resistant gloves, steel-toed shoes, and safety glasses.

#### **IMPORTANT:**

- Do not lift by the oven door handle or control knobs. Push, pull, or lift only on the body or structural areas, such as oven, oven face, or back corners of range.
- Do not move unit by pushing or pulling on the door or control panel. Grasp the left/right door area to push the unit.
- Move range by lifting, not sliding, to prevent damage to floors.



- Use a belt when moving the range to prevent damaging the floor, or use cardboard, plywood, or stiff plastic to protect floors if sliding is necessary.
- Be careful not to pinch or kink the electrical connection. If unit does not move in smoothly, check for obstructions. Do not attempt to force the unit into position.

Getting the unit properly placed in the installation space and level may require multiple attempts. It is recommended to measure and adjust leveling legs carefully before placing into the installation space, as the leveling legs may be difficult to adjust once the range is in its final position.

1. Check that all range controls are in the OFF position, and plug power cord into a grounded outlet.
2. Use tape measure to measure from the floor to the top of the countertop at all four corners of the installation space.
3. While range is still positioned outside the installation space, use a plier or wrench to adjust the leveling leg at each corner so that the distance from the floor to the underside of the cooktop edge matches the dimensions measured in the installation space.
4. Using 2 or more people, gently move range into its final installation location and make sure the rear pin is engaged under the arm of anti-tip bracket, being careful not to damage countertops, floor, or appliance.
5. Check to ensure the electrical cord is not pinched or kinked.
6. Place the level diagonally on the oven bottom or oven rack, and check each diagonal direction for level. Adjust the leveling legs as necessary.

**NOTE:**

- The range must be level for optimum cooking and baking performance.

7. Reassemble oven door and insert oven racks if they were previously removed. See "Removing/Assembling Oven Door" section.

## VERIFY ANTI-TIP BRACKET ENGAGEMENT

Do not operate the range if its rear pin is not engaged under the arm of anti-tip bracket.

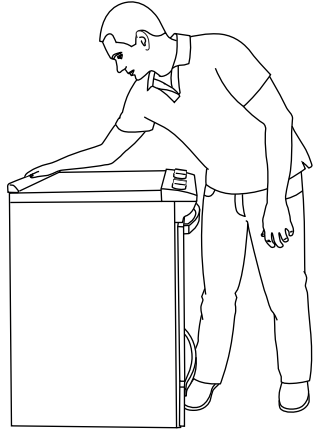
### IMPORTANT:

- If the range is pulled away from the wall for any reason, always verify anti-tip bracket engagement again.

1. Place the outside of your foot against the bottom of the front panel to keep the range from moving, and then grasp the back of the range, as shown.

2. Carefully and slowly attempt to tilt the range forward.

- If you encounter immediate resistance, the rear pin is engaged under the arm of anti-tip bracket. Go to Step 5.
- If the rear of the range lifts more than 1/2" (1.3 cm) off the floor without resistance, stop tilting the range and lower it gently back to the floor. The rear pin is not engaged under the arm of anti-tip bracket. Proceed to Steps 3 and 4.



**IMPORTANT:** If there is a snapping or popping sound when tilting the range, the range may not be fully engaged under the arm of the bracket. Check to see if there are obstructions keeping the range from sliding to the wall or keeping the rear pin from positioning under the arm of the bracket. Verify that the bracket is held securely in place by the mounting screws.

3. Slide the range forward, and verify that the anti-tip bracket is securely attached to the floor or wall.

4. Slide range back so the rear pin is engaged under the arm of anti-tip bracket.

## REMOVING/ASSEMBLING OVEN DOOR

For normal range use, it is not suggested to remove the oven door. However, if removal is necessary, make sure the oven is off and cool.

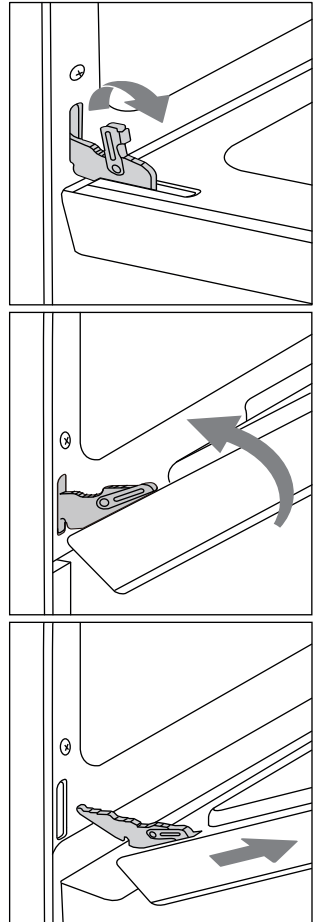
### NOTE:

- The oven door is heavy.
- If door is removed, confirm that door operates correctly and seals properly when reinstalled. If door gasket does not seal completely, heat escaping from around doors could ignite cabinetry.

### Removing Door

1. Fully open the oven door.
2. Unlock the hinge locks on both sides, rotating them as far toward the open door frame as they will go.
3. Firmly grasp both sides of the door.
4. Close the door to the removal position, which is approximately five degrees or 2-3 inches from being fully closed. If the position is correct, the hinge arms will move freely.
5. Lift door up and out until the hinge arms are clear of the slots.

**IMPORTANT:** Do not lift door by door handle.

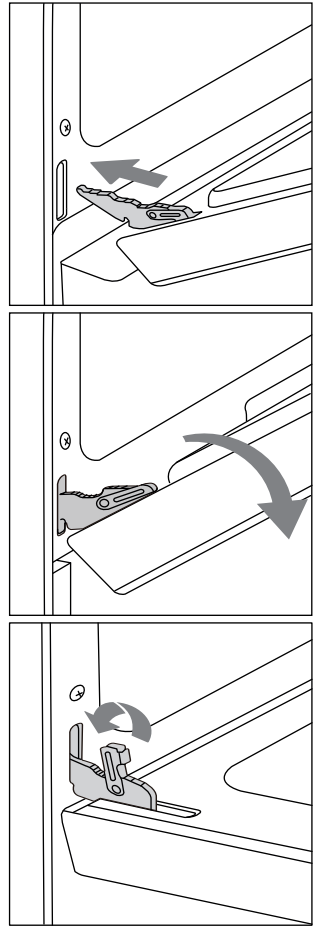


## Assembling Door

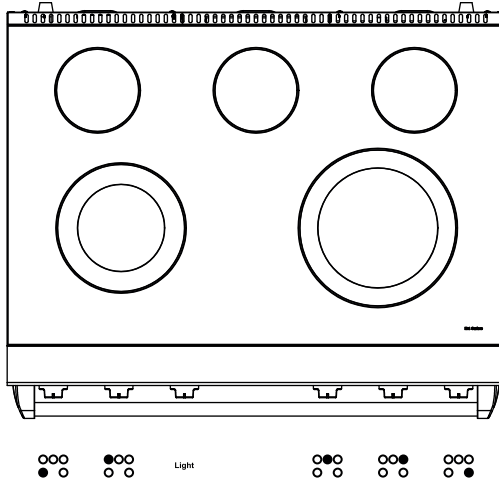
1. Firmly grasp both sides of the door.
2. With the door at the same angle as the removal position, which is approximately five degrees or 2-3 inches from being fully closed, seat the indentation of the hinge arms into the bottom edge of the hinge slots. The notch in the hinge arms must be fully seated into the bottom edge of the slots.

**IMPORTANT:** Do not lift door by door handle.

3. Open the door fully. If the door will not open fully, the indentation is not seated correctly in the bottom edge of the slots.
4. Lock the hinge locks, rotating them back toward the slots in the oven frame until they lock.
5. Close the oven door. Check that the door is free to open and close and is level while closed.



# CHECKING OPERATION OF THE SURFACE HEATING ELEMENTS



## STANDARD SURFACE HEATING ELEMENTS

- Turn each knob to the "Hi" position to check that the surface heating elements are working properly.

The elements should glow red and radiate heat, and they should cycle on and off periodically even when the knob is in the "Hi" position.

## DUAL SURFACE HEATING ELEMENT

- Turn each knob to each marking position to check that the surface heating elements are working properly.
  - Single-ring: only the smaller inner heating element is powered.
  - Double-ring: both inner and outer heating elements are powered.

The elements should glow red and radiate heat, and they should cycle on and off periodically.

## CHECKING OPERATION OF THE OVEN

### NOTE:

- Ensure door is closed, all packaging is removed, and oven is empty except for oven rack(s).



### To Check Bake Heating Element:

1. Keep the oven door closed. The oven heating elements will turn off when oven door is open.
2. Press ▲ or ▼ repeatedly to select Bake mode, and press **START/OK**.
3. Press/Hold ▼ to adjust bake temperature setting to 175°F while it is flashing, and press **START/OK**.
4. Press **START/OK** to skip cook time setting and start the oven.
  - After a couple minutes when the oven temperature reaches above 100°F, the temperature on the display will begin to rise and show the current oven temperature. Confirm that display shows temperature increasing.

5. Allow Bake mode to continue until oven has preheated to 175°F.
  - Confirm that preheat signals when temperature is reached.
  - Open the oven door temporarily. Without touching the oven bottom, confirm that heat can be felt radiating from the oven bottom and close the oven door.
  
6. Press **CANCEL/OFF** to stop Bake mode.

#### **To Check Broil Heating Element:**

1. Keep the oven door closed. The oven heating elements will turn off when oven door is open.
  
2. Press ▲ or ▼ repeatedly to select Broil mode, and press **START/OK**.
  
3. Press ▲ or ▼ to adjust broil setting to Hi or Lo while it is flashing, and press **START/OK** to start the oven.
  - After several minutes, the upper broil heating element can be visually seen to start glowing red.
  
4. Press **CANCEL/OFF** to stop Broil mode.

## **IMPORTANT**

### **Do Not Return This Product To The Store**

If you have a problem with this product, please contact COSMO Customer Support at

**+1 (888) 784-3108**

DATED PROOF OF PURCHASE, MODEL #, AND SERIAL # REQUIRED FOR WARRANTY SERVICE.

## **IMPORTANT**

### **Ne pas Réexpédier ce Produit au Magasin**

Pour tout problème concernant ce produit, veuillez contacter le service des consommateurs Cosmo Customer Support au

**+1 (888) 784-3108**

UNE PREUVE D'ACHAT DATEE EST REQUISE POUR BENEFICIER DE LA GARANTIE.

## **IMPORTANTE**

### **No regrese este producto a la tienda**

Si tiene algún problema con este producto, por favor contacte el ayuda al cliente COSMO al

**+1 (888) 784-3108**

(Válido solo en E.U.A.)

NECESITA UNA PRUEBA DE DE COMPRA FECHADA, NÚMERO DE MODELO Y DE SERIE PARA EL SERVICIO DE LA GARANTÍA.



#### **Correct disposal of this product:**

This marking indicates that this appliance should not be disposed with other household wastes. To prevent possible harm to the environment or human health from uncontrolled waste disposal, recycle it responsibly to promote the sustainable reuse of material resources.



# MEMO

A series of horizontal dashed lines for writing.

# MEMO

A series of horizontal dashed lines for writing.

# MEMO

A series of horizontal dashed lines for writing.



**APPLIANCES**

Cosmo is constantly making efforts to improve the quality and performance of our products, so we may make changes to our appliances without updating this manual.

Electronic version of this manual is available at:  
[www.cosmoappliances.com](http://www.cosmoappliances.com)