

Ceiling Fans

USE AND CARE GUIDE

Important Safety Instructions

WARNING: To avoid fire, shock and serious personal injury, follow these instructions.

1. Read your owner's manual and safety information before installing your new fan. Review the accompanying assembly diagrams.
2. Before servicing or cleaning unit, switch power off at service panel and lock service panel disconnecting means to prevent power from being switched on accidentally. When the service disconnecting means cannot be locked, securely fasten a warning device, such as a tag, to the service panel.
3. Be careful of the fan and blades when cleaning, painting, or working near the fan. Always turn off the power to the ceiling fan before servicing.
4. Do not insert anything into the fan blades while the fan is operating.
5. The appliance is not intended for use by young children or infirm persons without supervision. Young children should be supervised to ensure that they do not play with the appliance.

Additional Safety Instructions

1. To avoid possible shock, be sure electricity is turned off at the fuse box before wiring, and do not operate fan without blades.
2. The ceiling fan must be grounded as a precaution against possible electrical shock. Electrical installation should be made or approved by a licensed electrician.
3. The fan base must be securely mounted and capable of reliably supporting at least 50 lbs (fan and accessories not to exceed 10kgs.). Consult a qualified electrician if in doubt.
4. The fan must be mounted with the fan blades at least 10 feet from the floor to prevent accidental contact with the ceiling fan.
5. Follow the recommended instructions for the proper method of wiring your ceiling fan. If you do not have adequate electrical knowledge or experience, have your fan installed by licensed electrician.
6. This fan is to be used in indoor dry or damp location only.

WARNING: This product is designed to use only those parts supplied with this product and/or accessories designated specifically for use with this product. Using parts and/or accessories not designated for use with this product could result in personal injury or property damage.

WARNING: To reduce the risk of personal injury, do not bend the blade bracket (flange or blade holder) when installing the brackets, balancing the blades, or cleaning the fan. Do not insert foreign objects in between rotating fan blades.

ONE YEAR WARRANTY

If the fan motor or any other part fails at any time within one years of the original purchase, due to a defect in materials or workmanship, we will repair or replace, at our option, the defective part, free of charge.

Because of varying climate conditions, this warranty does not cover changes on the finish, including rusting, pitting, corroding, tarnishing or peeling. This includes coastal locations where salt air can cause corrosion.

This warranty is void and does not apply to damage from improper installation, neglect, accident, misuse, exposure to extremes of heat or humidity, or as the result of any modification to the original product.

A certain amount of wobble is normal and should not be considered a problem or a defect.

Contact the Customer Service Team.

Table of Contents

Unpacking Instructions3
Energy Efficient Use of Ceiling Fans 4
Electrical and Structural Requirements 4
How to Hang Your Ceiling Fan6
How to Install Your Light Bulbs 8
How to Install Your Remote Control 8
Replacement and Disassembly of Fan Blades 8
How to Operate Your Ceiling Fan 9
Maintenance9

This manual is designed to make it as easy as possible for you to assemble, install, operate and maintain your ceiling fan

Tools Needed for Assembly (Not Included)

- a. One Phillips head screwdriver
- b. One stepladder

WARNING: Before assembling your ceiling fan, refer to section on proper method of wiring your fan. If you feel you do not have enough wiring knowledge or experience, have your fan installed by a licensed electrician.

Materials

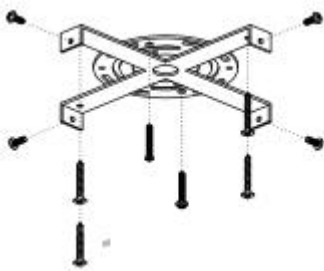
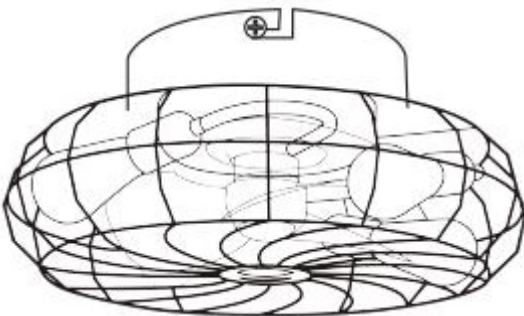
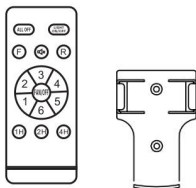
Wiring outlet box and box connectors must be of type required by the local code. The minimum wire would be 3-conductor (2 wire with ground) of the following size:

<u>Installed Wire Length</u>	<u>Wire Size A.W.G</u>
Up to 50ft	14
50-100ft	12

NOTE: Place the parts from the loose parts bags in a small container to keep them from being lost. If any parts are missing contact your local retailer.

Unpacking Instructions

Check to see that you have received the following parts:

Ceiling Canopy	
Motor Assembly	
Remote Control Remote Holder	

Energy Efficient Use of Ceiling Fans

Ceiling fan performance and energy savings rely heavily on the proper installation and use of the ceiling fan. Here are a few tips to ensure efficient product performance.

Choosing the Appropriate Mounting Location

Ceiling fans should be installed, or mounted, in the middle of the room and at least 10 feet from floor to the blade and 18 inches from wall to the blade.

Turn Off When Not in the Room

Ceiling fans cool people, not rooms. If the room is unoccupied, turn off the ceiling fan to save energy.

Using the Ceiling Fan Year Round

Summer Season: Use the ceiling fan in the clockwise direction. The airflow produced by the ceiling fan creates a wind-chill effect, making you feel cooler. Select a fan speed that provides a comfortable breeze, lower speeds consume less energy.

Winter Season: Reverse the motor and operate the ceiling fan at low speed in the counterclockwise direction. This produces a gentle updraft, which forces warm air near the ceiling down into the occupied space. Remember to adjust your thermostat when using your ceiling fan-additional energy and dollar savings could be realized with this simple step!

Electrical and Structural Requirements

Your new ceiling fan will require a grounded electrical supply line of 120 volts AC, 60 HZ, 15 Amp Circuit. Electrical code requires use of a fan-rated outlet box to support the extra weight and motion associated with a ceiling fan. A fan-rated box will be labeled as such and typically supports up to a 50lbs ceiling fan. Fan-Rated Outlet Boxes vary in ratings and design. Ensure the ratings of your ceiling fan outlet box meet the requirements for the ceiling fan being installed. Figure 1, Figure 2 and Figure 3 depicts different structural configurations that may be used for mounting the outlet box.

Low-profile use (Figure 1)

A 1 2-in.-deep pancake box is meant to be screwed to a joist or block. It's used if only one cable is coming into the box. It is also available in a saddle-mount configuration.

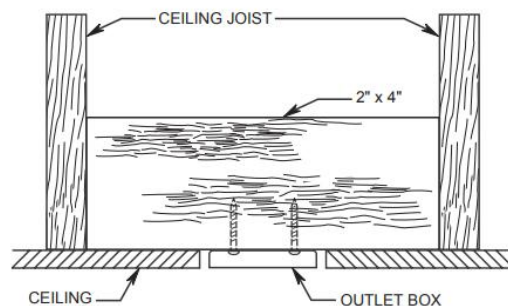
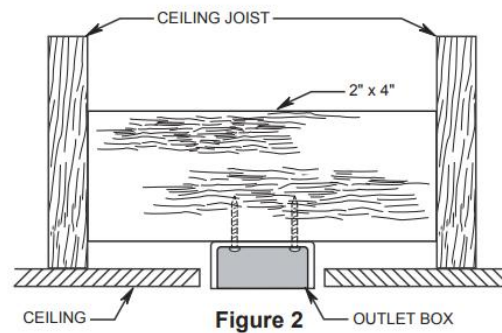


Figure 1

Deep-profile use(Figure 2)

A 2-1-in.-deep box can be attached to blocking between joists and is roomy enough to handle more than one cable.

WARNING: To reduce the risk of fire, electrical shock, or personal injury, mount fan to outlet box marked acceptable for fan support of 10 kgs. Use screws supplied with outlet box. Most outlet boxes commonly used for support of light fixtures are not acceptable for fan support and may need to be replaced. Consult a qualified electrician if in doubt.

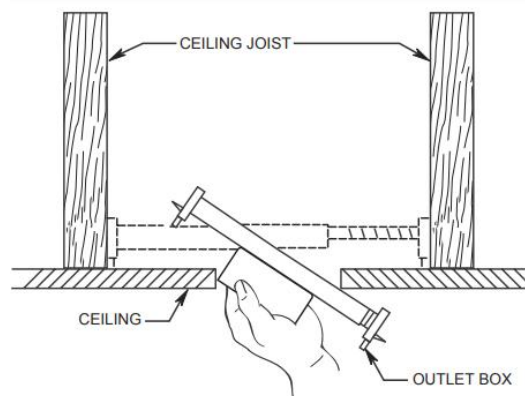


Brace use (Figure 3)

Paired with a deep box, this hanger is meant to span between two joists and takes the place of wooden blocking.

If your fan is to replace an existing light fixture, turn electricity off at the main fuse box at this time and remove the existing light fixture.

WARNING: Turning off wall switch is not sufficient. To avoid possible electrical shock, be sure electricity is turned off at the main fuse box before wiring. All wiring must be in accordance with National and Local codes and the ceiling fan must be properly grounded as a precaution against possible electrical shock.

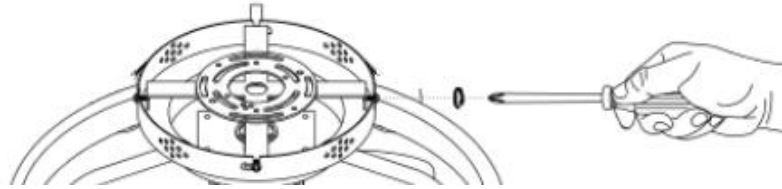


WARNING: Do not operate this fan with a variable (Rheostat) wall controller or dimmer switch. Doing so could result in damage to the ceiling fan's remote control unit.

WARNING: To avoid fire or shock, follow all wiring instructions carefully. Any electrical work not described in these instructions should be done or approved by a licensed electrician.

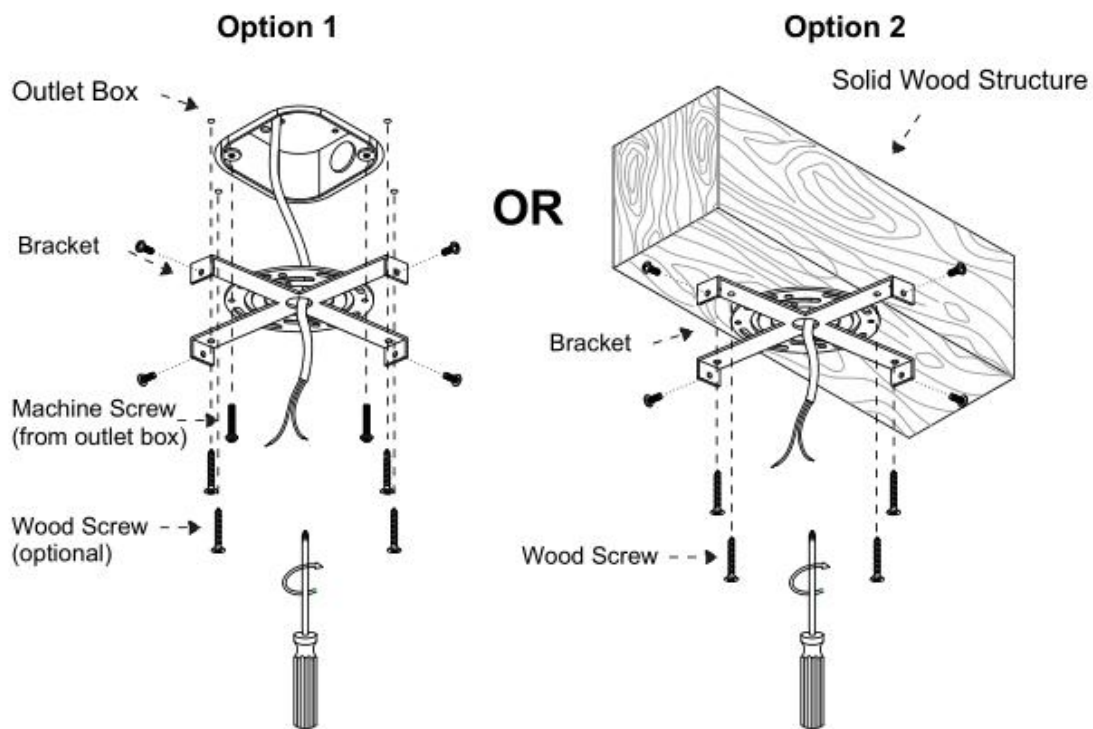
How to Hang Your Ceiling Fan

Loosen the 4 screws from the "L-shaped" holes on each side of the canopy.

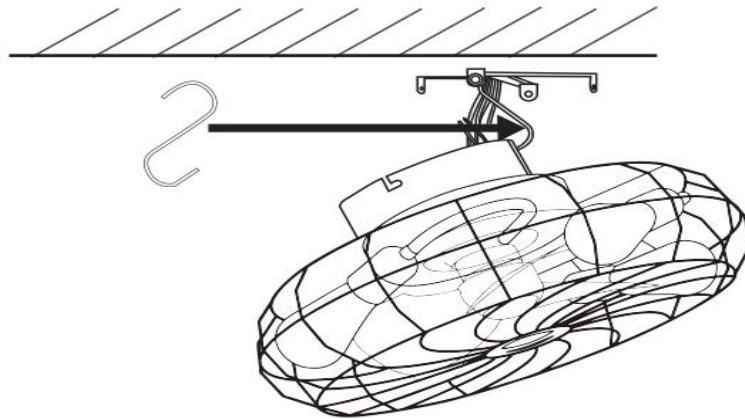


With Outlet Box: Fix the bracket onto the outlet box with screws from the outlet box, fix the cross bar of the bracket onto to the ceiling with 4 wood screws (optional).

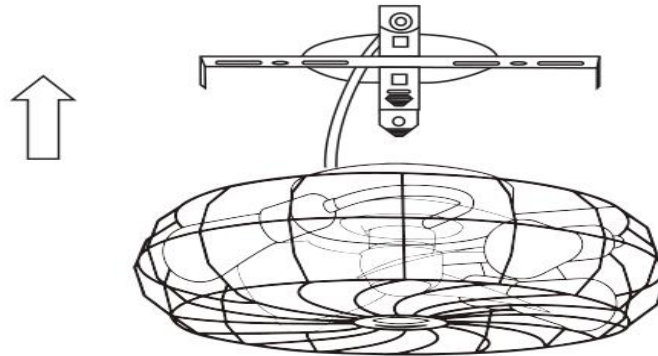
Without Outlet Box: Fix the cross bar onto the solid wood structure with 4 wood screws.



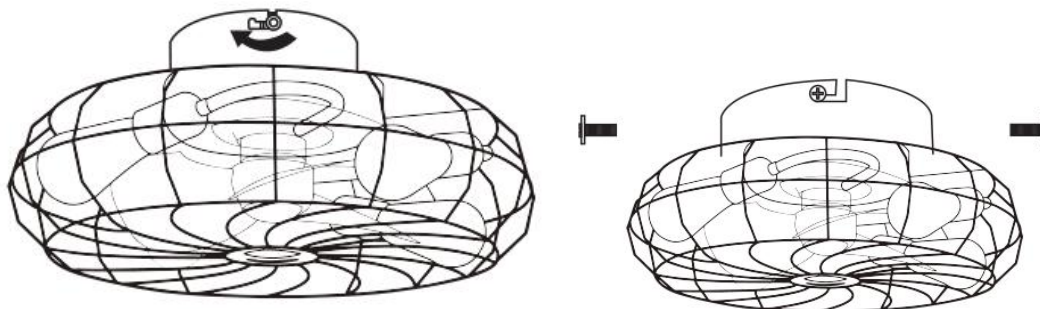
Hang the fixture onto the bracket with "S" hook provided.



Connect wires from the fixture to the wires from outlet box with wire nuts, ground wire (green, green/yellow or bare copper) to ground wire, neutral wire (white or blue) to the neutral wire, hot wire (black or brown) to the hot wire. Wrap the connection with electrical tape. Take away the S Hook.



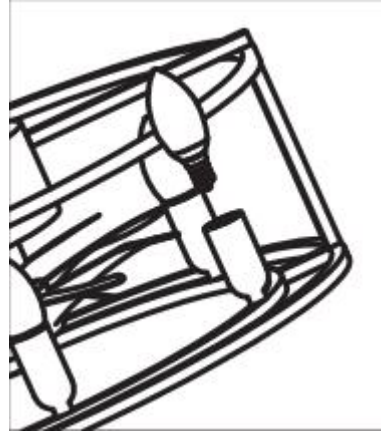
1. Fix the bracket screws onto the bracket but not tighten them.
2. Align the "L" slots from the canopy to the screws on the bracket, rotate the canopy to lock it onto the bracket. Tighten the screws.



How to Install Your Light Bulbs

1. Install light bulbs into sockets by threading in a clockwise direction.

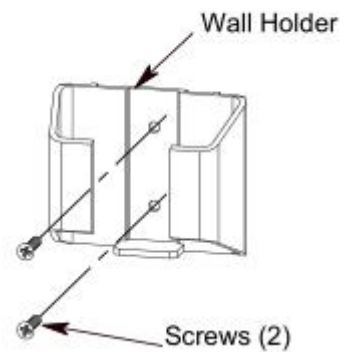
NOTE: When relamping is required, USE BULB BASE E26 DIMMABLE LISTED LED (LIGHT) BULB.



How to Install Your Remote Control

Installing Wall Holder:

Attach wall holder using the two provided screws.



Replacement and Disassembly of Fan Blades

Take out the fan nut cover clockwise, insert the screwdriver into the empty position of the hairpin, pull out the hairpin, and then take out the fan blade.

How to Operate Your Ceiling Fan

1. **IMPORTANT:** Using a full range dimmer switch (not included) to control fan speed will damage the fan. To reduce the risk of fire or electrical shock, do not use a full range dimmer switch to control the fan speed.
2. Restore electrical power to the outlet box by turning the electricity on at the main fuse box.

WARNING: Check to see that all connections are tight, including ground, and that no bare wire is visible at the wire connectors, except for the ground wire. Do not operate fan until the blades are in place. Noise and fan damage could result.

WARNING: Do not operate this fan with a variable (Rheostat) wall controller or dimmer switch. Doing so could result in damage to the ceiling fan's remote control unit.

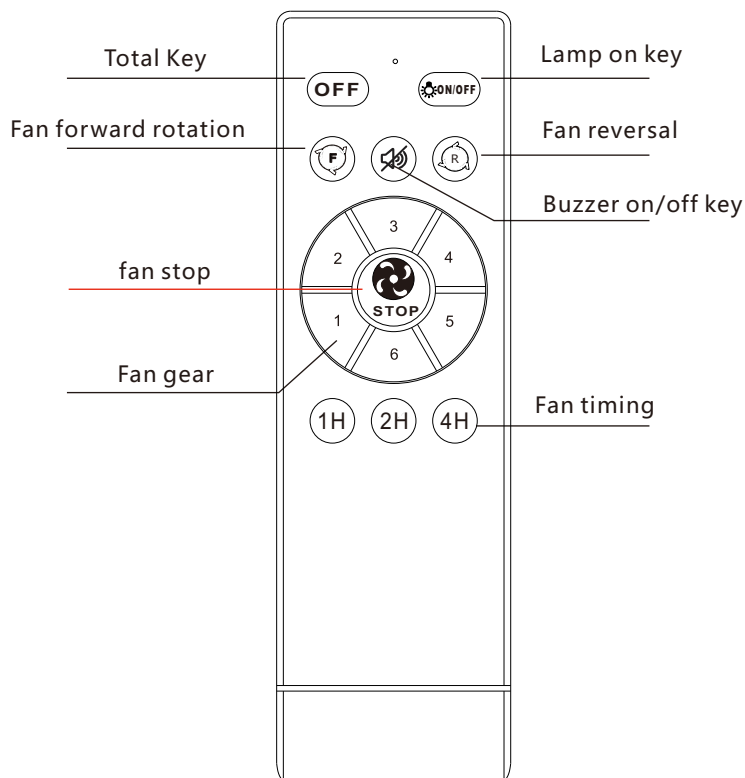
3. To make fan operational, install two 1.5V AAA battery (not included) in hand-held remote transmitter, with fan power off. (If not used for long periods of time, remove battery to prevent damage to transmitter). Store the remote away from excessive heat or humidity.

Maintenance

1. Periodic cleaning of your new ceiling fan is the only maintenance that is needed. When cleaning, use only a soft brush or lint free cloth to avoid scratching the finish. Abrasive cleaning agents are not required and should be avoided to prevent damage to finish.

CAUTION: Do not use water when cleaning your ceiling fan. It could damage the motor or the finish and create the possibility of electrical shock.

Remote control manual for variable frequency fan light



433 Code pairing: Turn on the power switch, hear a beep, and press and hold the "2nd gear and 2 hours" button for 3 seconds. The receiver emits a beep, indicating successful code pairing. If the code is not successfully matched, please turn off the power and wait for 1 minute to repeat the above operation.

When the remote control cannot be effectively controlled: please check the battery; Please remove the battery when not in use for a long time.

Precautions:

1. The receiver should not be installed upside down to avoid affecting the unevenness of the outer cover and the ceiling;
2. It is strictly prohibited to switch the input and output wiring of the receiver between input and output;
3. Please refer to the wire color and the instructions on the sleeve for wiring;
4. When using the remote control, please check if the battery is installed correctly (pay attention to the positive and negative battery). The indicator light on the handle control button will flash once every time it is pressed.

model No

AAA 1.5V×2

