



30" Gas Range

Gas Range

Available Products: FCRG3051BB, FCRG3051BS, FCRG3051BW

Available Colors: Black, Stainless Steel, White

Version: 09/23

Product Specifications

Cooking Controls

| | |
|-----------------|-----|
| Bake | Yes |
| Broil | Yes |
| Clock | Yes |
| Off | Yes |
| Oven Light | Yes |
| Timer On / Off | Yes |
| Up / Down Arrow | Yes |

Oven

| | |
|--------------------------|----------------|
| Bake Element | 17000 BTU |
| Broil Element | 1400 Watts |
| Broil Element Pass | 6 |
| Number of Rack Positions | 6 |
| Oven Interior Color | Midnight Black |
| Oven Light Quantity | 1 |
| Oven Light Type | Halogen |
| Oven Light Watts | 40 Watts |
| Rack Position Type | Embossed |
| Rack Type 1 | Flat |
| Rack Type 1 Quantity | 2 |

Cooktop Performance

| | |
|----------------------------|-----------|
| Right Front Element Burner | 10000 BTU |
| Right Rear Element Burner | 10000 BTU |
| Left Front Element Burner | 10000 BTU |
| Left Rear Element Burner | 10000 BTU |

Display

| | |
|-------------------------|-------|
| Control Location | Rear |
| Display Interface Color | White |
| Display Type | LED |

Electrical Specifications

| | |
|----------------|-------|
| Voltage Rating | 120 V |
|----------------|-------|

General Specifications

| | |
|------------------------|--------|
| Frigidaire Fit Promise | Yes |
| Prop 65 Label | Yes |
| Warranty - Labor | 1 Year |
| Warranty - Parts | 1 Year |

Cooking Controls Function

| | |
|-------------------------------|-----|
| Program Fahrenheit or Celsius | Yes |
|-------------------------------|-----|

Cooktop

| | |
|----------------------|------------|
| Cooking Surface Type | Gas |
| Grate Material | Steel Wire |
| Grate Quantity | 4 |
| Grate Style | Individual |

Drawer

| | |
|---------------------|------------|
| Drawer Handle Style | Integrated |
| Drawer Type | Storage |

Dimensions and Volume

| | |
|--------------------------|-------------|
| Minimum Height | 46 3/4" |
| Maximum Height | 47 3/4" |
| Width | 30" |
| Depth | 26" |
| Depth With Door 90° Open | 47 5/16" |
| Depth With Handle | 28 1/2" |
| Oven Interior Height | 17 5/8" |
| Oven Interior Width | 25 3/16" |
| Oven Interior Depth | 19 7/8" |
| Oven Capacity | 5.1 Cu. Ft. |

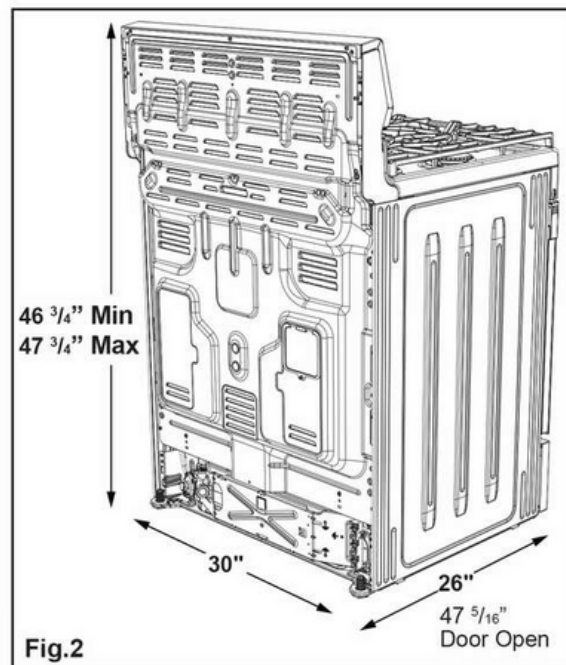
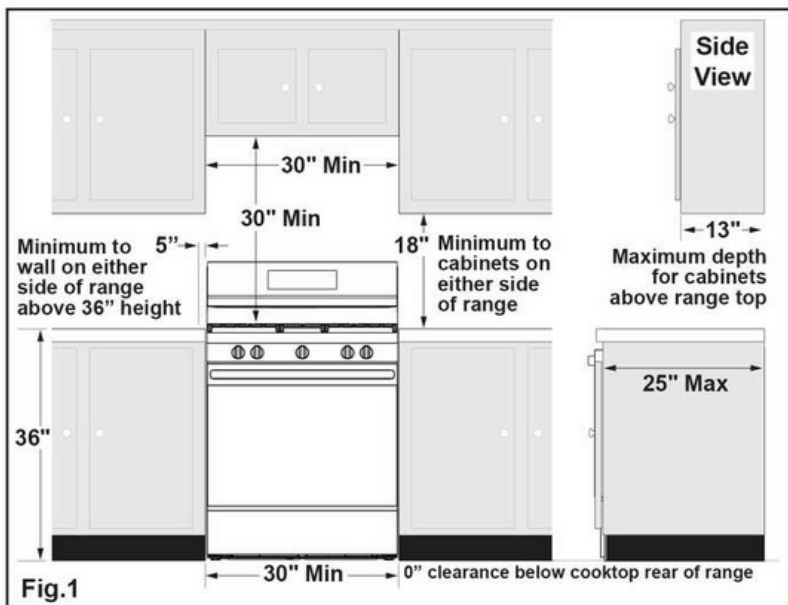
Installation

| | |
|--------------------------|-----|
| Adjustable Leveling Legs | Yes |
| Power Cord Included | Yes |

Safety Certifications and Approvals

| | |
|------------|-----|
| CSA Listed | Yes |
|------------|-----|

Installation Diagram



*30" (762 mm) MINIMUM CLEARANCE BETWEEN THE TOP OF THE COOKING SURFACE AND THE BOTTOM OF AN UNPROTECTED WOOD OR METAL CABINET; OR 24" (610 mm) MINIMUM WHEN BOTTOM OF WOOD OR METAL CABINET IS PROTECTED BY NOT LESS THAN 1/4" (6 mm) FLAME RETARDANT MILLBOARD COVERED WITH NOT LESS THAN NO. 28 MSG SHEET STEEL, 0.015" (0.4 mm) STAINLESS STEEL, 0.024" (0.6 mm) ALUMINUM OR 0.020" (0.5 mm) COPPER. 0" (0 mm) CLEARANCE IS THE MINIMUM FOR THE REAR OF THE RANGE. FOLLOW ALL DIMENSION REQUIREMENTS PROVIDED ABOVE TO PREVENT PROPERTY DAMAGE, POTENTIAL FIRE HAZARD, AND INCORRECT COUNTERTOP AND CABINET CUTS.

