



HARBOR BREEZE and logo design are trademarks or registered trademarks of LF, LLC. All rights reserved.

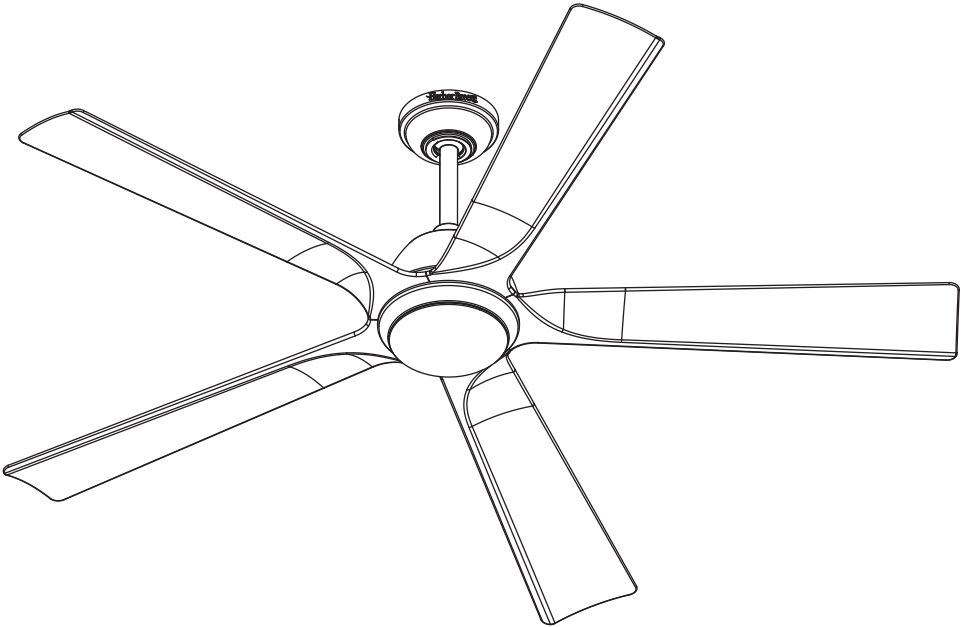
ITEM #4136494

MODEL #HTD21017-WH

# CARTERSVILLE CEILING FAN

Español p. 20

ATTACH YOUR RECEIPT HERE



Serial Number \_\_\_\_\_

Purchase Date \_\_\_\_\_

Thanks you for purchasing this **HARBOR BREEZE** product.  
Questions, problems or missing parts?  
Before returning, contact us on:  
**888-251-1003**, 8 a. m. – 8 p.m., EST, Monday – Sunday or [ascs@lowes.com](mailto:ascs@lowes.com).

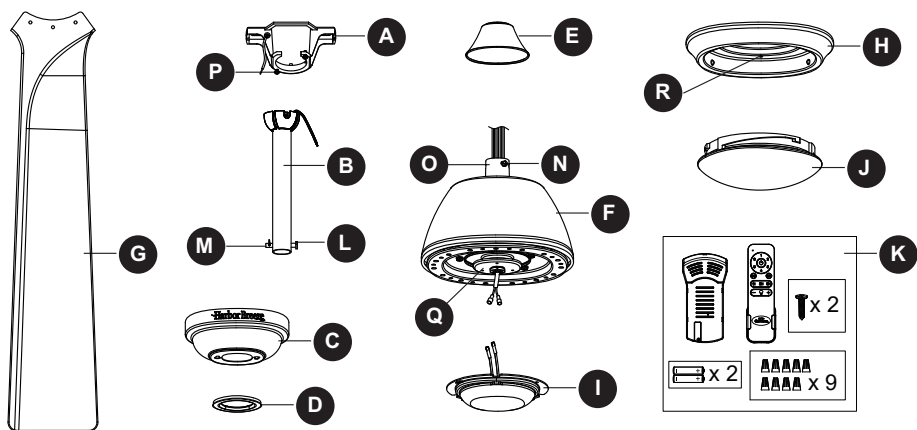
SG241419

## TABLE OF CONTENTS

---

Package Contents.....	3
Hardware Contents.....	4
Safety Information.....	4
Preparation .....	5
Initial Installation Instructions .....	6
Standard/Angle-Mounting Instructions.....	7
Wiring Instructions .....	9
Final Installation Instructions.....	10
Operating Instruction .....	13
Care and Maintenance .....	15
Troubleshooting.....	16
Limited Lifetime Warranty.....	17
FCC Warning.....	18
Replacement Part List .....	19

## PACKAGE CONTENTS



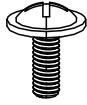
PART	DESCRIPTION	QUANTITY
A	Mounting Bracket	1
B	Downrod Assembly	1
C	Canopy	1
D	Canopy Cover	1
E	Coupling Cover	1
F	Motor Assembly	1
G	Blade	5
H	Switch Housing	1
I	Light Kit	1
J	Shade	1
K	Remote Unit	1

PART	DESCRIPTION	QUANTITY
L	Clevis Pin [Preassembled on Downrod Assembly (B)]	1
M	Hairpin Clip [Preassembled on Downrod Assembly (B)]	1
N	Coupling Screw [Preassembled on Coupling (O)]	2
O	Coupling [Preassembled on Motor Assembly (F)]	1
P	Mounting Bracket Screw [Preassembled on Mounting Bracket (A)]	2
Q	Mounting Screw [Preassembled on Motor Assembly (F)]	3
R	Switch Housing Screw [(Preassembled on Switch Housing (H)]	3

## HARDWARE CONTENTS (not shown actual size)

---

AA



Blade Screw  
Qty: 15 + 1 extra

## SAFETY INFORMATION

---

### READ AND SAVE THESE INSTRUCTIONS

Please read and understand this entire manual before attempting to assemble, operate or install the product.

- All electrical connections must comply with local codes, ordinances or the National Electric Code (NEC). Contact your municipal building department to inquire about your local codes, permits and/or inspections.
- Turn off electricity at main fuse box (or circuit breaker box) before beginning installation by removing fuse or by switching off circuit breaker.
- Do not connect this fixture to an electrical system that does not provide a means for equipment grounding. Never use a fixture in a two-wire system that is not grounded.
- If you are not sure your lighting system has a grounding means, do not attempt to install this fixture. Contact a qualified, licensed electrician for information regarding proper grounding methods as required by the local electrical code in your area.
- Make sure the installation site you choose allows a minimum clearance of 7 ft. from the blades to the floor and at least 30 in. from the ends of the blades to any obstruction.
- If a dimmer control switch is used with this fixture, obtain professional advice to determine the correct type and electrical rating required.
- The lighting fixture must be positioned so there is at least 1.64 ft. between the bulb and any illuminated surface.
- For supply connections, if the conductor of a fan is identified as a grounded conductor, then it should be connected to a grounded conductor power supply. If the conductor of a fan is identified as an ungrounded conductor, then it should be connected to an ungrounded conductor power supply. If the conductor of a fan is identified for equipment grounding, then it should be connected to an equipment-grounding conductor.

### DANGER

- Installing a fixture into an electrical system without a proper grounding means could allow metal parts of the fixture to carry electrical currents. If any of the fixture wires, wire connections or splices are broken, cut or loose during the mounting or normal operation of the fixture, under such condition, anyone coming in contact with the fixture is subject to electrical shock, which could cause serious injury or death.
- Connection of the bare or green fixture ground wire to the black or white house wires may allow metal parts of the fixture to carry electrical currents. Under this condition anyone coming in contact with the fixture will receive electrical shock, which could cause serious injury or death.
- Be careful not to damage or cut the wire insulation (covering) during fixture installation. Do not permit wires to have contact with any surface having a sharp edge. Doing so may damage or cut the wire insulation, which could cause serious injury or death from electric shock.



## **⚠ WARNING**

- Risk of fire. Most dwellings built before 1985 have supply wire rated for 140°F. Consult a qualified electrician before installation.
- To reduce the risk of fire or electric shock, do not use this fan with any solid state fan speed device or variable speed control.
- To reduce the risk of personal injury, do not bend the blade brackets when installing the brackets, balancing or cleaning the fan.
- Do not insert foreign objects in between rotating fan blades.
- Do not install or use the fan if any part is damaged or missing
- To reduce the risk of fire, electric shock or personal injury, mount to metal outlet box marked 'ACCEPTABLE FOR FAN SUPPORT OF 35 LBS OR LESS' and use mounting screws provided with the outlet box and/or support directly from building structure. Most outlet boxes commonly used for the support of luminaries are not acceptable for fan support and may need to be replaced. Consult a qualified electrician if in doubt.
- Before servicing or cleaning the unit, switch power off at the service panel and lock the service disconnecting means to prevent power from being switched on accidentally. When the service disconnecting means cannot be locked, securely fasten a prominent warning device, such as a tag, to the service panel.

## **⚠ CAUTION**

- Do not use lamp having a wattage greater than the maximum value stated on the fixture. Using a higher wattage lamp than specified will increase fixture temperature and increase risk of fire.

## **PREPARATION**

---

Before beginning assembly of product, make sure all parts are present. Compare parts with package contents list and hardware contents list. If any part is missing or damaged, do not attempt to assemble the product.

**Estimated Assembly Time:** 45 minutes

Tools Required for Assembly (not included): Phillips Screwdriver, Step Ladder, Tape, Pliers and Wire Cutters.

## INITIAL INSTALLATION INSTRUCTIONS

1. Turn off circuit breakers and wall switch to the fan supply line leads.

**⚠ DANGER:** Failure to disconnect power supply prior to installation may result in serious injury or death.

2. Choose the desired mounting method:

### A. Standard Mounting:

Standard mounting is best suited for ceilings 8 feet or higher. For taller ceilings you may want to use a longer downrod (not included).

### B. Angle Mounting:

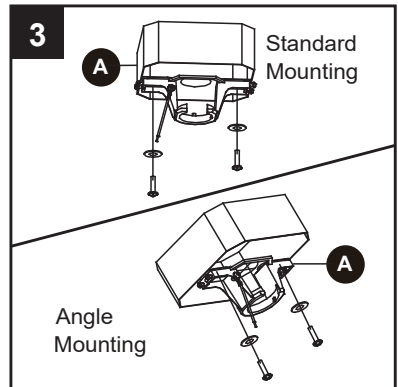
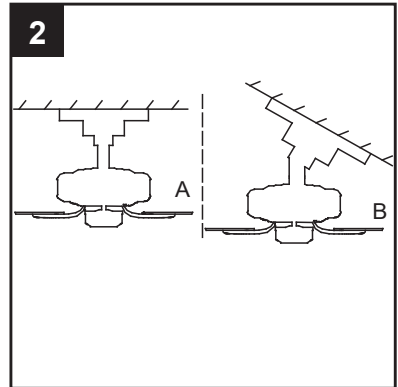
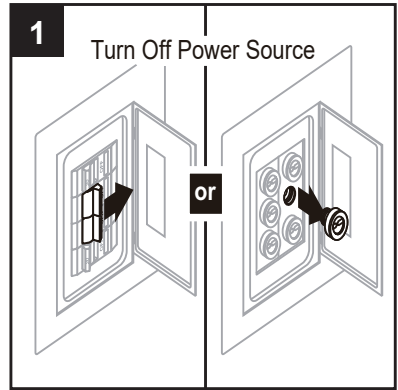
Angle-style mounting is best suited for angled or vaulted ceilings. A longer downrod is sometimes necessary to ensure proper blade clearance. If using the angle mount, make sure the ceiling angle is not steeper than 20°.

For ALL mounting options, there must be at least 30 inches from the blade tip to nearest wall. Also, ensure there is 7 feet from the bottom edge of the blade to the floor.

3. Check existing outlet box (not included) to ensure it is securely fastened to at least two points in a structural ceiling member and can support the full weight of the fan. Once verified, install mounting bracket (A) to the outlet box using the screws and washers provided with the outlet box.

**⚠ DANGER:** A loose outlet box can cause the fan to wobble and increase the fan's potential to fall, which could result in serious injury or death.

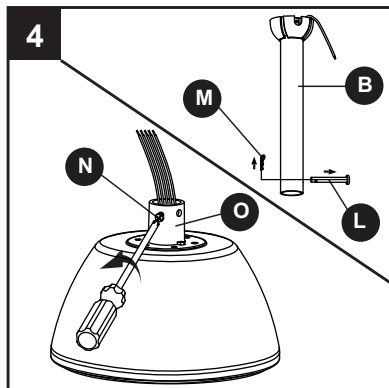
**Note:** If using the angle mount, make sure open end of mounting bracket (A) points toward the ceiling.



## INITIAL INSTALLATION INSTRUCTIONS

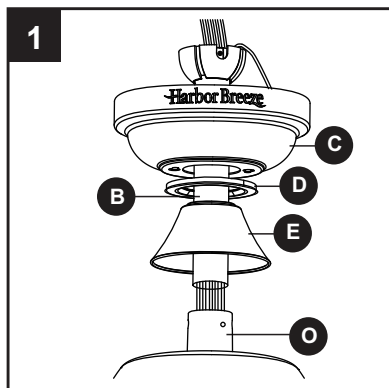
- Loosen the two coupling screws (N) preassembled in the coupling (O), but do not remove them. Remove the hairpin clip (M) and clevis pin (L) from the downrod assembly (B). Retain for later use.

**Note:** Make sure to keep loose hardware separate to avoid confusion during installation.

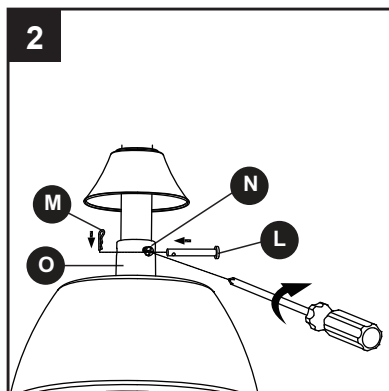


## STANDARD/ANGLE-MOUNTING INSTRUCTIONS

- Place downrod assembly (B) through canopy (C), canopy cover (D) and coupling cover (E). Feed power wires from motor assembly (F) through downrod assembly (B), then insert downrod assembly (B) into the coupling (O) on motor assembly (F).



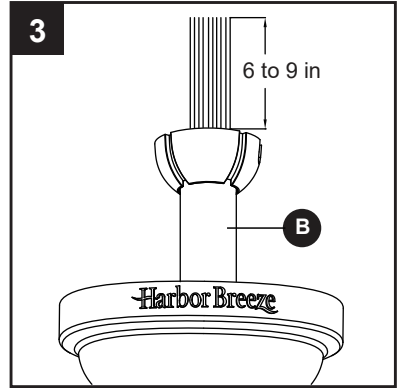
- Align the hole on downrod assembly (B) to hole on the coupling (O), then re-install clevis pin (L). Re-attach hairpin clip (M) into clevis pin (L) until it snaps into place, then tighten the two previously loosened coupling screws (N).



## STANDARD/ANGLE-MOUNTING INSTRUCTIONS

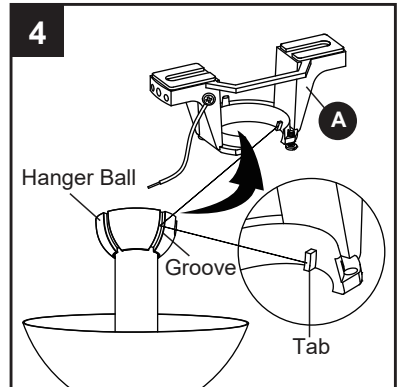
3. Cut off excess fixture wires, leaving approximately 6 to 9 inches above the top of the downrod assembly (B). Strip 1/2 inch of insulation from the end of each fixture wire.

**⚠ CAUTION:** Ensure all screws are tight before moving to the next step.



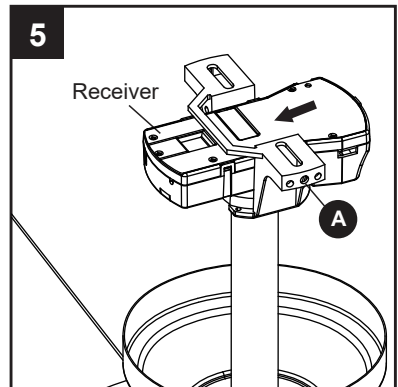
4. Carefully lift the assembly and rest the hanger ball of downrod assembly (B) on the mounting bracket (A) attached to the outlet box. Be sure the groove in the hanger ball is lined up with the tab on the mounting bracket (A). This will allow for hands-free wiring.

**⚠ DANGER:** Be careful when aligning the tab to the groove! If not fully engaged, there is a possibility of the fan falling, which may result in serious injury or death.



5. Slide the receiver into the mounting bracket (A) before wiring as shown.

Proceed to **WIRING** on Page 9.



## WIRING INSTRUCTIONS

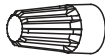
- ⚠ WARNING:** To avoid possible electrical shock, be sure electricity is turned off at the main fuse box before hanging.
- ⚠ WARNING:** If you are not sure if the outlet box is grounded, contact a licensed electrician for advice, as it must be grounded for safe operation.
- ⚠ WARNING:** If house wires are different colors than referred to in the following steps, stop immediately. A professional electrician is recommended to determine proper wiring.
- ⚠ WARNING:** If you feel that you do not have enough electrical wiring knowledge or experience, have your fan installed by a licensed electrician.

1. Follow steps below to wiring your fan:

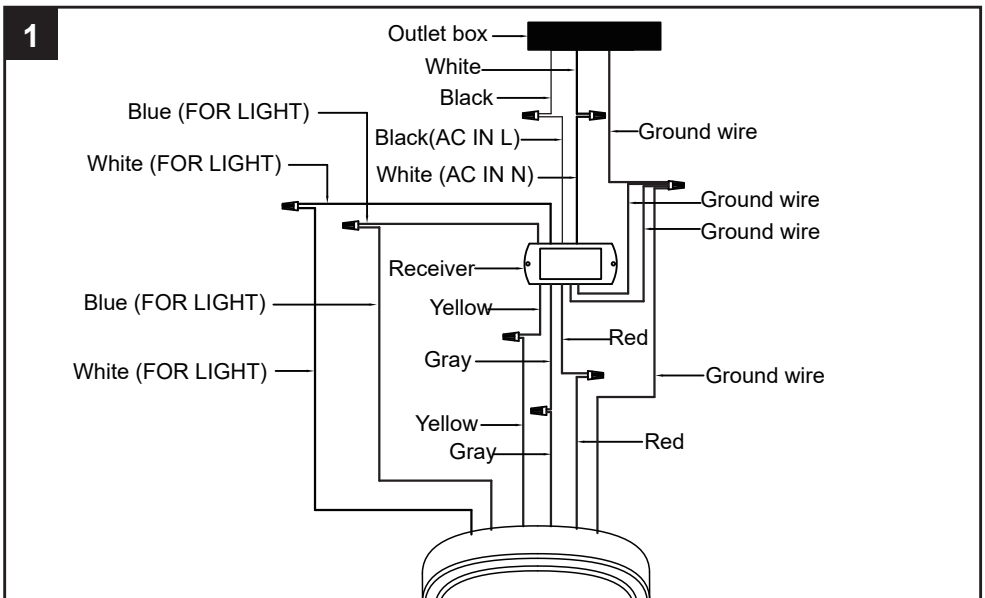
- Connect WHITE wire from the fan to WHITE wire marked FOR LIGHT from the receiver.
- Connect BLUE wire from the fan to BLUE wire marked FOR LIGHT from the receiver.
- Connect YELLOW wire from the fan to YELLOW wire from the receiver.
- Connect GRAY wire from the fan to GRAY wire from the receiver.
- Connect RED wire from the fan to RED wire from the receiver.
- Connect BLACK wire marked AC IN L from the receiver to the BLACK supply wire.
- Connect WHITE wire marked AC IN N from the receiver to WHITE supply wire.
- Connect GROUND (GREEN) wires from mounting bracket, downrod ball and receiver, to GROUND (GREEN or BARE COPPER) from house.

### Hardware Used

Wire Connector

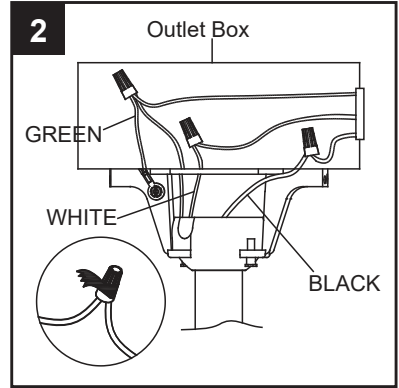


x 8



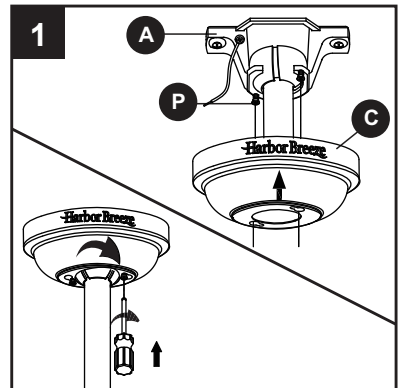
## WIRING INSTRUCTIONS

2. Wrap electrical tape (not included) around each wire connector and make sure no bare wire or wire strands are visible after making connections. Then, turn wires upward and carefully push them into the outlet box; make sure the WHITE and GREEN connections are on one side and the BLACK connections are on the other side.

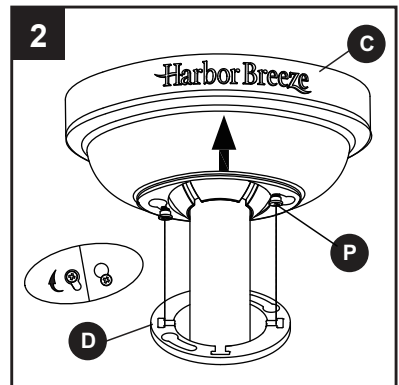


## FINAL INSTALLATION INSTRUCTIONS

1. Loosen (but do not remove) the two preassembled mounting bracket screws (P) on mounting bracket (A) that align with the slotted holes on canopy (C). Lift canopy (C) up so slotted holes engage loosened screw heads on mounting bracket (A), then twist canopy (C) clockwise, then tighten all screws securely.



2. Raise canopy cover (D) over the mounting bracket screws (P) visible in canopy (C). Rotate canopy cover (D) clockwise until it locks into place. You may need to adjust the mounting bracket screws (P) until the canopy (C) and canopy cover (D) have a snug fit.



## FINAL INSTALLATION INSTRUCTIONS

3. Attach blade (G) to the motor assembly (F) with blade screws (AA) provided. Repeat for the other blades.

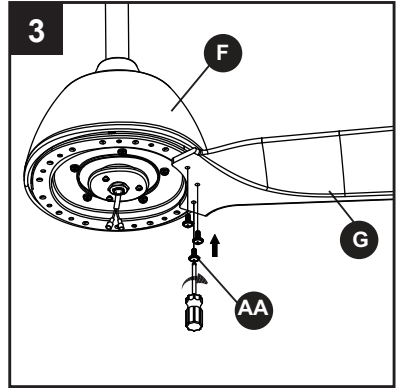
### Hardware Used

AA

Blade Screw

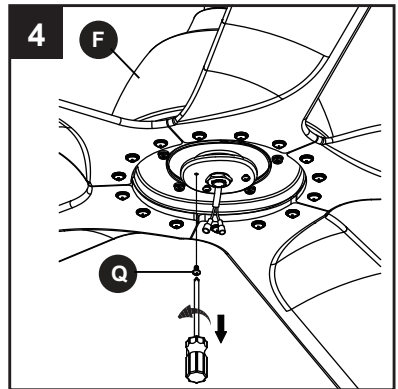


x 15

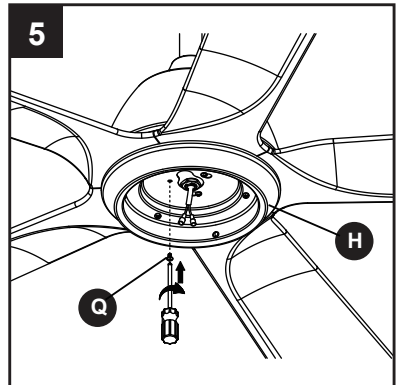


## FINAL INSTALLATION INSTRUCTIONS

4. Remove one of the mounting screws (Q) on mounting plate of motor assembly (F), then loosen the other two.

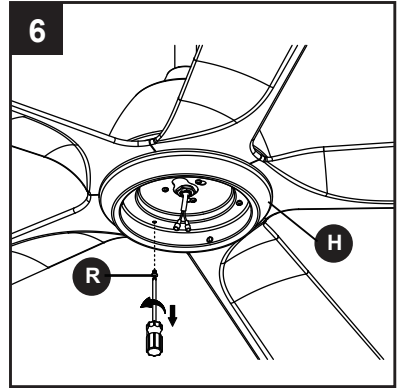


5. Insert the wires with 2 single pin connectors from the motor assembly through the center hole in the switch housing (H). Attach the switch housing (H) to the mounting plate on the motor assembly by placing the keyhole slots from the switch housing (H) onto the two protruding mounting screws (Q) heads. Adjust the switch housing (H) until the screw heads are aligned with the keyholes, then re-install the mounting screw (Q) previously removed on step 4. Tighten all mounting screws (Q) securely.

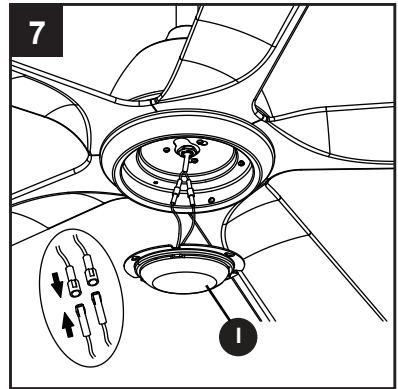


## FINAL INSTALLATION INSTRUCTIONS

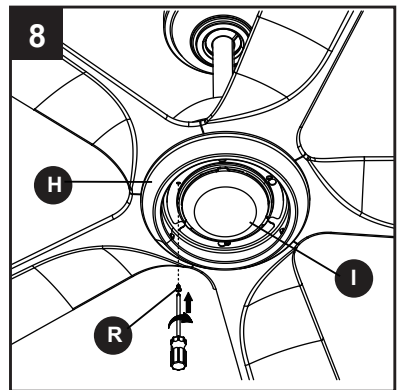
6. Remove one of three switch housing screws (R) on the switch housing (H) and keep for later use, then loosen the other two.



7. Connect the 2 single pin connectors from the light kit (I) to the 2 single pin connectors from the motor assembly. Connect the black wire to blue wire, and white wire to white wire.



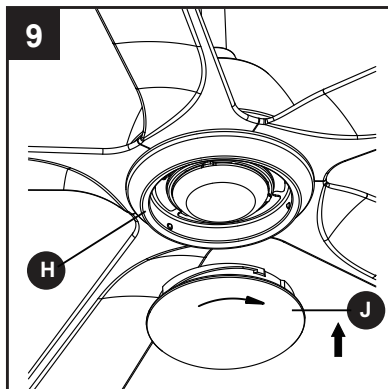
8. Attach the light kit (I) to switch housing (H) using the two key slots in the light kit (I). Replace the screw previously removed on step 6. Tighten all switch housing screws (R) securely.





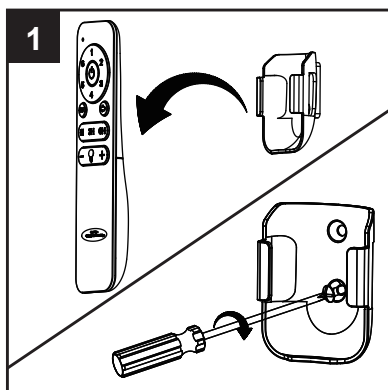
## FINAL INSTALLATION INSTRUCTIONS

9. Secure the shade (J) to switch housing (H) by twisting in a clockwise direction. Do not over-tighten.

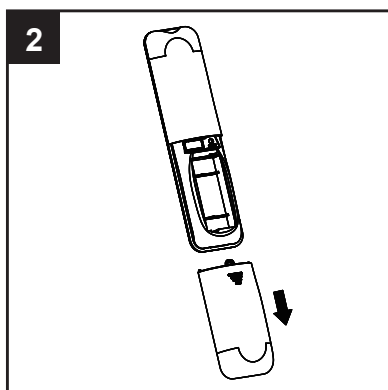


## OPERATING INSTRUCTIONS

1. Slide the transmitter out of the transmitter holder. Select a location to install your transmitter holder. Attach the transmitter holder with screws provided.



2. Open the battery cover.

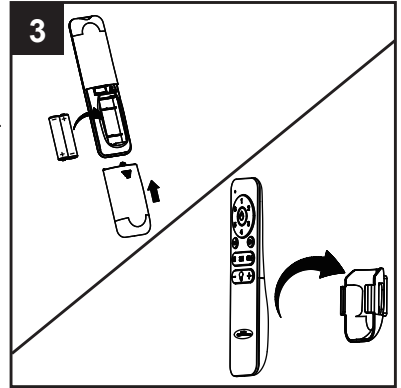


## OPERATING INSTRUCTIONS

3. To make fan operational, install two 1.5 V AAA batteries (included). Replace the battery cover.

**NOTE:** This remote control uses two 1.5 V AAA batteries. Replace batteries with the correct size and type of battery. Clean the battery contacts and area inside the device prior to installing new batteries. Ensure the batteries are installed correctly with regard to the polarity (+ and -).

**NOTE:** If not used for long periods of time, remove battery to prevent damage to transmitter. Store the remote control away from excessive heat and humidity.



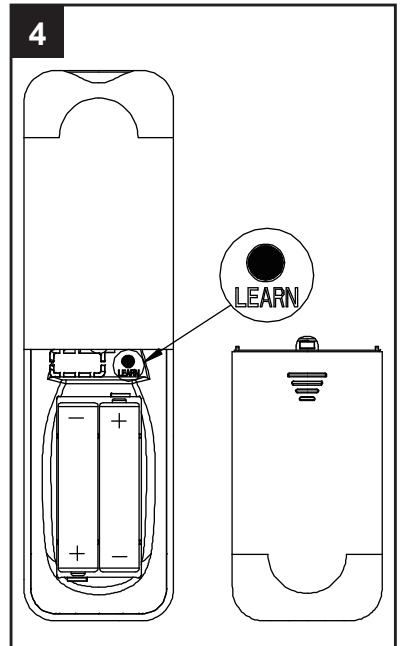
4. Each transmitter of this remote control carries a unique ID code to facilitate communication between paired devices. The ID code is set by factory and is not user changeable. However, you will be required to perform an "ID code learning" process manually under these circumstances.

- If you have multiple fans installed within a close proximity and want to control all fans using a same remote transmitter.

**NOTE:** Each fan requires its own receiver.

- When your remote control is not responding (make sure battery is not flat).
- After you have replaced a faulty transmitter or receiver with a new one.

Otherwise the remote control will not work. To perform this process manually, follow steps below: Press the "LEARN" button for 5 seconds or more within 30 seconds after restoring power to the fan, the fan will beep twice and the light will flash twice. This indicate the code learning process have been completed.



## OPERATING INSTRUCTIONS

### 5. Remote functions:

- Indicator light

Buttons (1 to 6) : Fan speed.

⏻ : Turns fan off.

🌊 : Fan speed will modulate to simulate a natural breeze.

↻ : Fan turns forward or reverse.

1H : Fan and light will turn off after 1 hour.

3H : Fan and light will turn off after 3 hours.

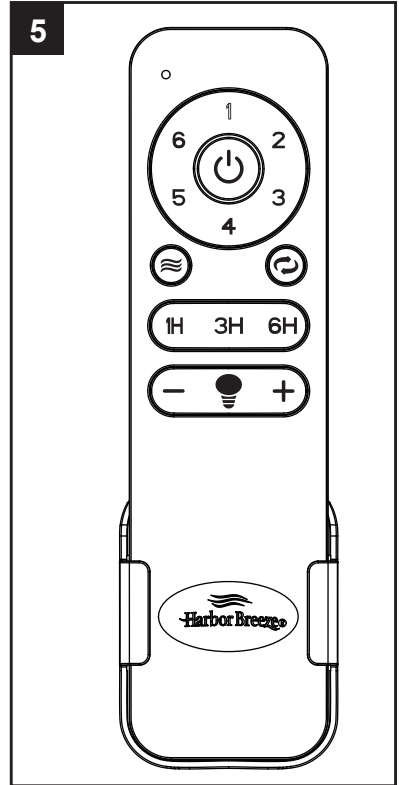
6H : Fan and light will turn off after 6 hours.

💡 : Turn light ON/OFF.

- : Decrease the light output level

+ : Increase the light output level

**NOTE:** The fan has a preset memory function, it will stay at the same speed and brightness as the last time it was turned off.



## CARE AND MAINTENANCE

**⚠ Important:** Shut off main power supply before beginning any maintenance. Do not use water or a damp cloth to clean the ceiling fan.

- At least twice each year, tighten all screws and lower canopy to check mounting plate screws.
- Clean fan housing with only a soft brush or lint-free cloth to avoid scratching the finish. Clean blades with a lint-free cloth. You may occasionally apply a light coat of furniture polish to wood blades for added protection.

## TROUBLESHOOTING

PROBLEM	PROBABLE CAUSE	CORRECTIVE ACTION
Fan sounds noisy.	<ol style="list-style-type: none"> <li>1. Set screws are loose.</li> <li>2. Using non-approved speed control.</li> <li>3. Normal noise.</li> <li>4. Wire connectors inside switch housing rattling.</li> <li>5. Cracked blade.</li> <li>6. The distance from canopy to ceiling is too great.</li> <li>7. Glass is not secure.</li> </ol>	<ol style="list-style-type: none"> <li>1. Tighten all set screws.</li> <li>2. Some fan motors are sensitive to signals from solid-state variable speed controls. DO NOT USE a solid-state variable speed control.</li> <li>3. Allow "break-in" period of 24 hours. Most noises associated with a new fan will disappear after this period.</li> <li>4. Check to make sure wire connectors in switch housing are not rattling against each other or against the interior wall of the switch housing.</li> <li>5. Replace blades.</li> <li>6. Make sure upper canopy is a short distance from ceiling. It should not touch the ceiling.</li> <li>7. Secure the glass.</li> </ol>
Fan wobbles.	<ol style="list-style-type: none"> <li>1. Hanger bracket and/or ceiling outlet box is not securely fastened.</li> <li>2. Set screw in downrod assembly is loose.</li> <li>3. Fan hanger ball is not properly seated in canopy tabs.</li> <li>4. Set screw in motor coupling is loose.</li> <li>5. Blade is loose.</li> <li>6. Blade out of balance.</li> <li>7. Fan too close to vaulted ceiling.</li> <li>8. Transition to different speed.</li> <li>9. Fan not securely mounted.</li> </ol>	<ol style="list-style-type: none"> <li>1. Tighten the hanger bracket screws to the outlet box, and/or secure outlet box.</li> <li>2. Tighten the set screw in the downrod assembly.</li> <li>3. Turn power off, support the fan very carefully, and check that the hanger ball is properly seated.</li> <li>4. Raise motor coupling up and tighten set screws securely.</li> <li>5. Check that all blades are screwed firmly into blade holders.</li> <li>6. Interchange two adjacent blades; this will redistribute the weight and possibly result in smoother operation.</li> <li>7. Lower or move fan. Extension downrods may be ordered.</li> <li>8. When switching from medium to low speed, you may notice some fan wobble in the fan. When the fan stabilizes at low speed, wobble should disappear.</li> <li>9. Make sure canopy and mounting bracket are tightened securely to ceiling joist.</li> </ol>

## TROUBLESHOOTING

PROBLEM	PROBABLE CAUSE	CORRECTIVE ACTION
Fan does not start.	<ol style="list-style-type: none"><li>1. Power turned off, fuse blown or circuit breaker tripped.</li><li>2. Loose wire connections or wrong connections.</li></ol>	<ol style="list-style-type: none"><li>1. Turn power on, replace fuse or reset breaker.</li><li>2a. Turn power off and loosen canopy; check all connections according to section WIRING INSTRUCTIONS on page 9.</li><li>2b. Check the plug connection in the switch housing.</li></ol>
Light does not work.	<ol style="list-style-type: none"><li>1. Wrong wire connection.</li></ol>	<ol style="list-style-type: none"><li>1. Refer to Step 7, page 12 to ensure all wire connections were done correctly.</li></ol>

## LIMITED LIFETIME WARRANTY

The manufacturer warrants this fan to be free from defects in workmanship and material present at time of shipment from the factory for life (with limitations) from the date of purchase. This warranty applies only to the original purchaser. The manufacturer agrees to correct such defect at no charge or, at our option, replace the ceiling fan with a comparable or superior model.

To obtain warranty service, present a copy of your sales receipt as proof of purchase. All cost of removal and reinstallation are the expressed responsibility of the purchaser. Any damage to the ceiling fan by accident, misuse or improper installation, or by affixing accessories not produced by this warranty, are at the purchaser's own responsibility. The manufacturer assumes no responsibility whatsoever for fan installation during the limited lifetime warranty. Any service performed by an unauthorized person will render the warranty invalid.

Due to varying climatic conditions, this warranty does not cover changes in brass finish, rusting, pitting, tarnishing, corroding or peeling. Brass finish fans maintain their beauty when protected from varying weather conditions.

Any replacement of defective parts for the ceiling fan must be reported within the first year from the date of purchase. For the balance of the warranty, call our customer service department at 888-251-1003 for return authorization and shipping instructions so that we may repair or replace the ceiling fan. Any fan or parts returned improperly packaged is the sole responsibility of the purchaser. There is no further expressed warranty. The manufacturer disclaims any and all implied warranties.

The duration of any implied warranty which can not be disclaimed is limited to the lifetime limited period as specified in our warranty. The manufacturer shall not be liable for incidental, consequential or special damages arising at or in connection with product use or performance except as may otherwise be accorded by law. This warranty gives you specific legal rights, and you also have other rights which vary from state to state. This warranty supersedes all prior warranties.

**NOTE:** A small amount of "wobble" is normal and should not be considered a defect.

## FCC WARNING

---

This device (including remote control and LED module) complies with Part 15 of the FCC Rules. Operation is subject to the following two conditions:

(1) This device may not cause harmful interference, and (2) this device must accept any interference received, including interference that may cause undesired operation. Please note that changes or modifications not expressly approved by the party responsible for compliance could void the user's authority to operate the equipment.

Note: Both the remote control and LED module have been tested and found to comply with the limits for Class B digital device, pursuant to part 15 of the FCC Rules. These limits are designed to provide reasonable protection against harmful interference in a residential installation.

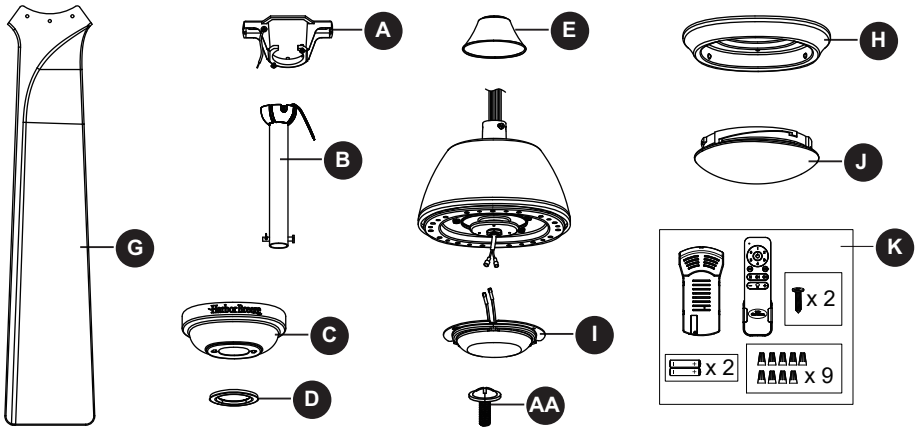
The remote control generates, uses and can radiate radio frequency energy and, if not installed and used in accordance with the instructions, may cause harmful interference to radio or television reception, which can be determined by turning the equipment off and on, the user is encouraged to try to correct the interference by one or more of the following measures:

- Reorient or relocate the receiving antenna.
- Increase the separation between the equipment and the receiver.
- Connect the equipment into an outlet on a circuit different from that to which the receiver is connected.

Consult the dealer or an experienced radio/TV technician for help.

## REPLACEMENT PART LIST

For replacement parts, call our customer service department at **888-251-1003**, 8 a.m. -8 p.m., EST, Monday – Sunday. You could also contact us at [ascs@lowes.com](mailto:ascs@lowes.com).



PART	DESCRIPTION	PART#	COVERED UNDER WARRANTY
A	Mounting Bracket	A102-0460084	YES
B	Downrod Assembly	A103-0443529	YES
C	Canopy	A101-0281529	YES
D	Canopy Cover	A108-0013529	YES
E	Coupling Cover	A106-0488529	YES
G	Blade	A141-0682003	YES
H	Switch Housing	A188-0421529	YES
I	Light Kit	A187-0544529	YES
J	Shade	A182-0580001	YES
K	Remote Unit	A137-0699001	YES
AA	Blade Screw	B166-1325324	YES



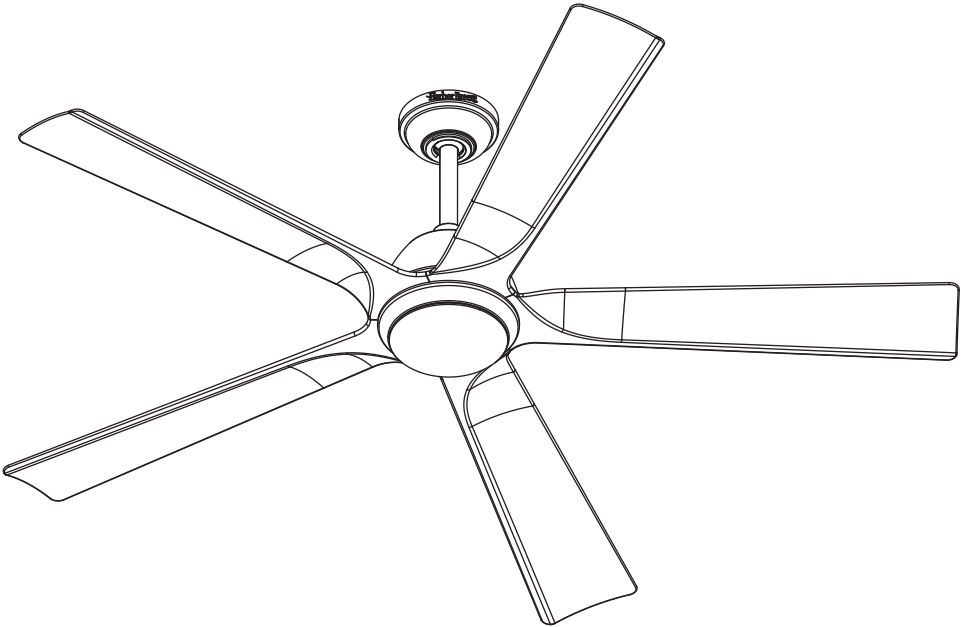
HARBOR BREEZE y el diseño del logotipo son marcas comerciales o marcas registradas de LF, LLC. Todos los derechos reservados.

ARTÍCULO #4136494

MODELO #HTD21017-WH

# VENTILADOR DE TECHO CARTERSVILLE

ADJUNTE SU RECIBO AQUÍ



Número de serie \_\_\_\_\_

Fecha de compra \_\_\_\_\_

Gracias por comprar este producto **HARBOR BREEZE**.

¿Preguntas, problemas o piezas faltantes?

Antes de volver a la tienda, comuníquese:

al teléfono **888-251-1003**, de lunes a domingo, de 8 a.m. a 8 p.m., hora estándar del Este o al correo electrónico **ascs@lowes.com**.

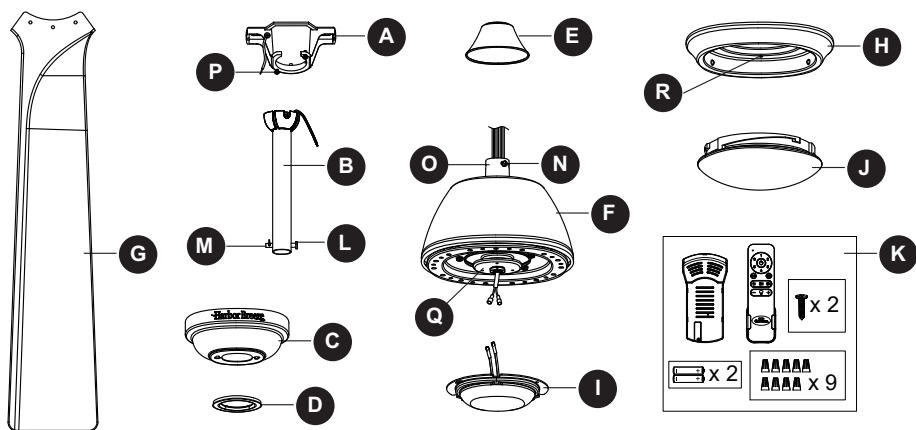


## ÍNDICE

---

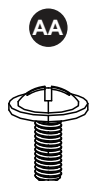
Contenido del paquete .....	22
Aditamentos .....	23
Información de seguridad .....	23
Preparación .....	24
Instrucciones de instalación iniciales .....	25
Instrucciones estándar o de montaje en ángulo .....	26
Instrucciones de cableado .....	28
Instrucciones de instalación finales .....	29
Instrucciones de funcionamiento .....	32
Cuidado y mantenimiento .....	34
Solución de problemas .....	35
Garantía limitada de por vida .....	37
Advertencia de la FCC .....	38
Lista de piezas de repuesto .....	39

## CONTENIDO DEL PAQUETE



PIEZA	DESCRIPCIÓN	CANTIDAD
A	Soporte de montaje	1
B	Ensamble de la varilla	1
C	Base	1
D	Cubierta de la base	1
E	Cubierta del acoplador	1
F	Ensamble del motor	1
G	Aspa	5
H	Carcasa del interruptor	1
I	Kit de iluminación	1
J	Pantalla	1
K	Unidad de control remoto	1

PART	DESCRIPTION	QUANTITY
L	Pasador de horquilla (preensamblado en el ensamble de la varilla [B])	1
M	Sujetador de horquilla (preensamblado en el ensamble de la varilla [B])	1
N	Tornillo para el acoplador (preensamblado en el acoplador [O])	2
O	Acoplador (preensamblado en el ensamble del motor [F])	1
P	Tornillo para soporte de montaje (preensamblado en el soporte de montaje [A])	2
Q	Tornillo de montaje (preensamblado en el ensamble del motor [F])	3
R	Tornillo de la carcasa del interruptor (preensamblado en la carcasa del interruptor [H])	3



Tornillo para aspa  
Cantidad: 15 + 1 adicional

## **INFORMACIÓN DE SEGURIDAD**

---

### **LEA Y GUARDE ESTAS INSTRUCCIONES**

Lea y comprenda por completo este manual antes de intentar ensamblar, usar o instalar el producto.

- Todas las conexiones eléctricas deben cumplir con los códigos locales, con las ordenanzas o con el Código Nacional de Electricidad (NEC, por sus siglas en inglés). Póngase en contacto con el Departamento de Construcción Municipal para consultar los códigos, los permisos y las inspecciones locales.
- Desconecte la electricidad de la caja de fusibles principal (o la caja del interruptor de circuito) antes de comenzar la instalación; para ello, retire el fusible o desconecte el interruptor de circuito.
- No conecte este ensamble a un sistema eléctrico que no proporcione un medio de puesta a tierra para el equipo. Nunca utilice un ensamble en un sistema de dos conductores sin puesta a tierra.
- No intente instalar este ensamble si no está seguro de que su sistema de iluminación cuenta con una puesta a tierra. Póngase en contacto con un electricista calificado y autorizado para obtener información con respecto a los métodos adecuados de puesta a tierra requeridos por el código local de electricidad de su área.
- Asegúrese de que en el lugar de instalación que elija se pueda establecer una distancia mínima de 2.13 m desde las aspas hasta el piso, y al menos 76.2 cm desde los extremos de las aspas hasta cualquier obstáculo.
- Si se utiliza un regulador de control de intensidad con este ensamble, consulte a un profesional para determinar el tipo apropiado y la clasificación eléctrica requerida.
- La lámpara debe colocarse de tal forma que haya al menos 0.49 m entre la bombilla y cualquier superficie iluminada.
- En lo que respecta a las conexiones de suministro, si el conductor del ventilador está identificado como conductor con puesta a tierra, se lo debe conectar a un suministro de electricidad con conductor de puesta a tierra. Si el conductor del ventilador está identificado como conductor sin puesta a tierra, se lo debe conectar a un suministro de electricidad con un conductor sin puesta a tierra. Si el conductor del ventilador está identificado para equipos de puesta a tierra, se lo debe conectar al conductor de equipos de puesta a tierra.

### **⚠ PELIGRO**

- Instalar un ensamble en un sistema eléctrico sin una puesta a tierra adecuada podría provocar que las piezas de metal del ensamble conduzcan corriente eléctrica. Si cualquiera de los conductores, las conexiones del cableado o los empalmes del ensamble están rotos, cortados o sueltos durante el montaje o el funcionamiento normal del ensamble, en esas condiciones, quien entre en contacto con el ensamble recibirá una descarga eléctrica que podría ocasionar lesiones graves o la muerte.
- Si se conecta el conductor de tierra desnudo o verde del ensamble al conductor negro o blanco interior, existe la posibilidad de que las piezas metálicas del ensamble conduzcan corriente eléctrica. En esta situación, cualquier persona que entre en contacto con el ensamble recibirá una descarga eléctrica, la que podría provocar lesiones graves o la muerte.
- Tenga cuidado de no dañar o cortar el aislamiento del conductor (cubierta) durante la instalación del ensamble. No permita que los conductores entren en contacto con superficies que tengan un borde afilado, ya que esto podría dañar o cortar el aislamiento del conductor y provocar lesiones graves o la muerte debido a una descarga eléctrica.

## ADVERTENCIA

- Riesgo de incendio. La mayoría de las casas construidas antes de 1985 tienen conductores del suministro clasificados para 60 °C. Consulte a un electricista calificado antes de la instalación.
- Para reducir el riesgo de incendios o descargas eléctricas, no use este ventilador con dispositivos de velocidad para ventiladores de estado sólido ni con un control de velocidad variable.
- Para reducir el riesgo de lesiones personales, no doble las abrazaderas de las aspas al instalarlas, o al equilibrar o limpiar el ventilador.
- No introduzca objetos extraños entre las aspas en movimiento.
- No instale ni use el ventilador si falta alguna pieza o si hay piezas dañadas.
- Para reducir el riesgo de incendios, descargas eléctricas o lesiones personales, monte en una caja de salida marcada como "ACCEPTABLE FOR FAN SUPPORT OF 35 LBS OR LESS" (apta para sostener ventiladores de 15.87 kg o menos) y use los tornillos de montaje provistos con la caja de salida o colóquelo directamente en la estructura de la construcción. La mayoría de las cajas de salida que se usan comúnmente para sostener ensambles de iluminación no son aptas para sostener un ventilador y podría ser necesario reemplazarlas. Si tiene dudas, consulte a un electricista calificado.
- Antes de reparar o limpiar la unidad, corte la energía en el panel de servicio y bloquee los medios de desconexión del servicio para impedir la activación accidental de la energía. Cuando no sea posible bloquear los medios de desconexión del servicio, fije un dispositivo de advertencia que se destaque al panel de servicio, como por ejemplo, una etiqueta.

## PRECAUCIÓN

- No use bombillas de un vataje mayor que el valor máximo establecido en la lámpara. La utilización de una bombilla de un vataje superior al especificado incrementará la temperatura del ensamble y aumentará el riesgo de incendio.

## PREPARACIÓN

---

Antes de comenzar a ensamblar el producto, asegúrese de tener todas las piezas. Compare las piezas con la lista del contenido del paquete y la lista de aditamentos. No intente ensamblar el producto si falta alguna pieza o si hay piezas dañadas.

**Tiempo estimado de ensamblaje:** 45 minutos.

Herramientas necesarias para el ensamblaje (no se incluyen): destornillador Phillips, escalera de tijera, cinta de pintor, pinzas y pinzas cortacables.

## INSTRUCCIONES DE INSTALACIÓN INICIALES

1. Interrumpa el suministro de energía del ventilador apagando los interruptores de circuito y el interruptor de pared.

**⚠ PELIGRO:** si no desconecta el suministro de la instalación, pueden producirse lesiones graves o la muerte.

2. Elija el método de montaje deseado:

### A. Montaje estándar:

El montaje estándar es más adecuado para techos con una altura de 2.44 m o superior. Para techos más altos, se recomienda utilizar una varilla más larga (no incluida).

### B. Montaje en ángulo:

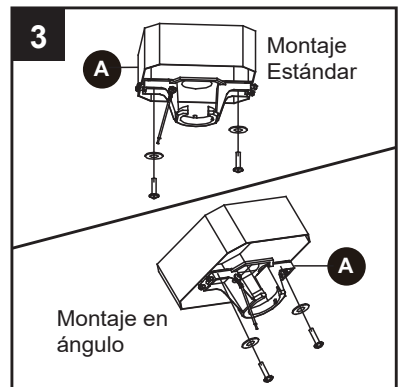
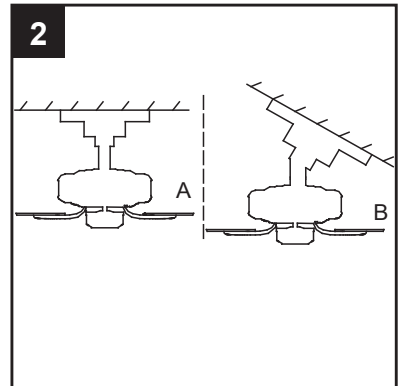
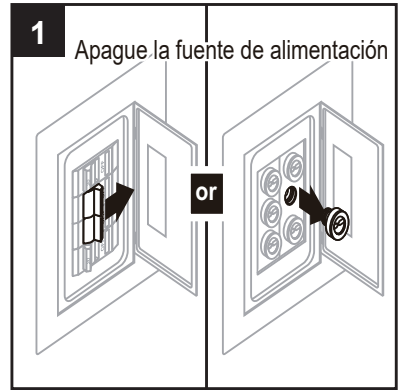
El montaje en ángulo es mejor para los techos en ángulo o de bóveda. En ocasiones, es necesaria una varilla más larga para asegurar una adecuada separación de las aspas. Si realiza la instalación en ángulo, verifique que el ángulo del techo no tenga una inclinación superior a los 20°.

Para todas las opciones de montaje, es necesario que las puntas de las aspas estén al menos a 76.2 cm de la pared más cercana. Además, asegúrese de que haya al menos 2.13 metros desde el borde inferior del aspa hasta el piso.

3. Verifique la caja de salida existente (no incluida) para asegurarse de que se encuentre firmemente sujeta a, al menos, dos puntos de un miembro estructural del techo y que pueda soportar el peso total del ventilador. Una vez que la haya verificado, instale el soporte de montaje (A) en la caja de salida con los tornillos

**⚠ PELIGRO:** una caja de salida suelta puede hacer que el ventilador se tambalee y que aumenten las posibilidades de que el ventilador se caiga, lo que puede causar lesiones graves o la muerte.

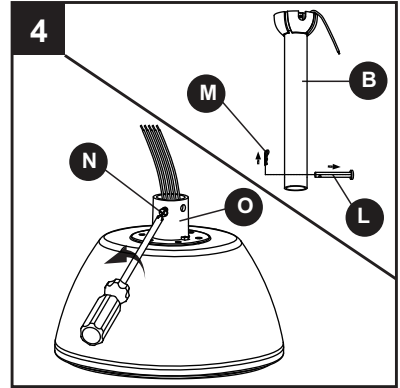
**Nota:** si realiza el montaje en ángulo, asegúrese de que el extremo abierto del soporte de montaje (A) esté instalado en dirección hacia el punto más alto del techo.



## INSTRUCCIONES DE INSTALACIÓN INICIALES

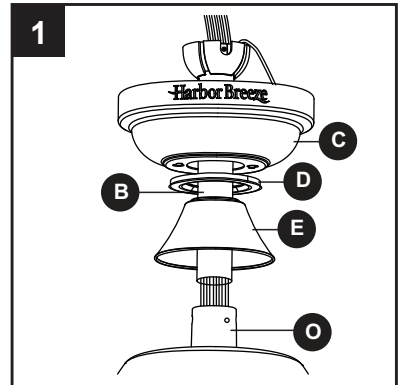
- Afloje los dos tornillos (N) preensamblados del acoplador (O), pero no los retire. Retire el sujetador de horquilla (M) y el pasador de horquilla (L) del ensamble de la varilla (B). Guárdelos para su posterior uso.

**Nota:** asegúrese de mantener los aditamentos sueltos separados para evitar confundirlos durante la instalación.

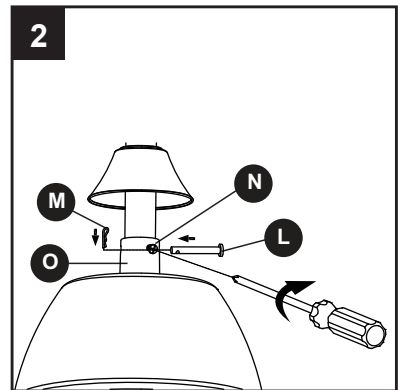


## INSTRUCCIONES ESTÁNDAR O DE MONTAJE EN ÁNGULO

- Pase el ensamble de la varilla (B) a través de la base (C), de la cubierta de la base (D) y de la cubierta del acoplador (E). Pase los conductores de fuerza del ensamble del motor (F) a través del ensamble de la varilla (B). Luego, inserte el ensamble de la varilla (B) en el acoplador (O) del ensamble del motor (F).



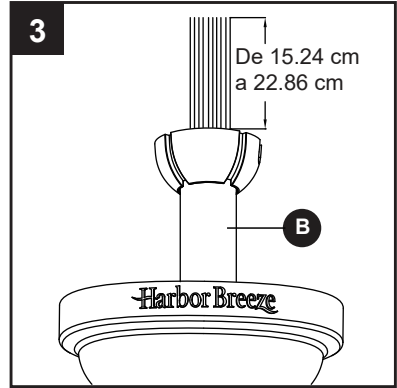
- Alinee el orificio del ensamble de la varilla (B) con el orificio del acoplador (O) y luego vuelva a instalar el pasador de horquilla (L). Vuelva a fijar el sujetador de horquilla (M) en el pasador de horquilla (L) hasta que encaje en su lugar. Luego, apriete los dos tornillos del acoplador (N) que aflojó anteriormente.



## INSTRUCCIONES ESTÁNDAR O DE MONTAJE EN ÁNGULO

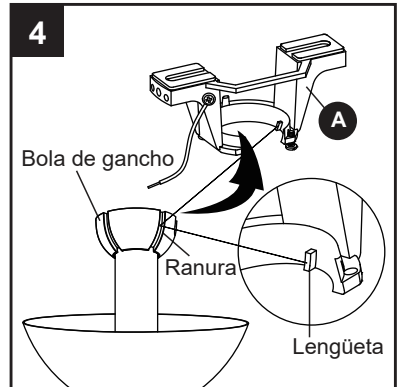
3. Corte el excedente de conductores del ensamble a unos 15.24 cm a 22.86 cm aproximadamente por sobre la parte superior del ensamble de la varilla (B). Pele 12.7 mm del aislamiento del extremo de cada conductor del ensamble.

**⚠ PRECAUCIÓN:** asegúrese de que todos los tornillos estén apretados antes de avanzar al siguiente paso.



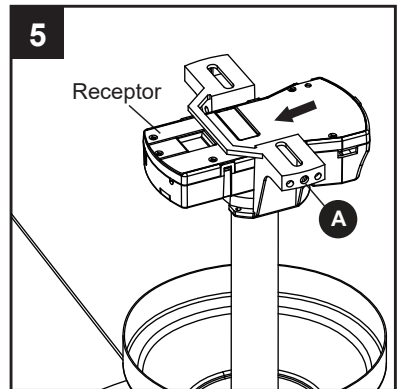
4. Levante cuidadosamente el ensamble y coloque la bola de gancho del ensamble de la varilla (B) sobre el soporte de montaje (A) que se encuentra fijado a la caja de salida. Asegúrese de que la ranura de la bola de gancho esté alineada con la lengüeta del soporte de montaje (A). Esto permite tener las manos libres para conectar el cableado.

**⚠ PELIGRO:** tenga cuidado cuando alinee la lengüeta con la muesca. Si no calza bien, es posible que el ventilador se caiga, lo que podría provocar lesiones graves o la muerte.



5. Deslice el receptor en el soporte de montaje (A) antes de realizar el cableado, como se muestra.

Vaya al tema **CABLEADO**, en la página 28.



## INSTRUCCIONES DE CABLEADO

- ⚠ ADVERTENCIA:** para evitar una posible descarga eléctrica, asegúrese de cortar la alimentación eléctrica de la caja de fusibles principal antes de colgar el ventilador.
- ⚠ ADVERTENCIA:** si no está seguro de si la caja de salida tiene puesta a tierra, póngase en contacto con un electricista certificado para solicitar asesoramiento, ya que debe tener puesta a tierra para un funcionamiento seguro.
- ⚠ ADVERTENCIA:** si los conductores de la casa no tienen los mismos colores que se mencionan en los siguientes pasos, deténgase de inmediato. Recomendamos que un electricista profesional determine el cableado adecuado.
- ⚠ ADVERTENCIA:** si considera que no tiene suficiente conocimiento o experiencia en cableados eléctricos, es recomendable que un electricista autorizado instale el ventilador.

1. Siga los pasos a continuación para cablear el ventilador:

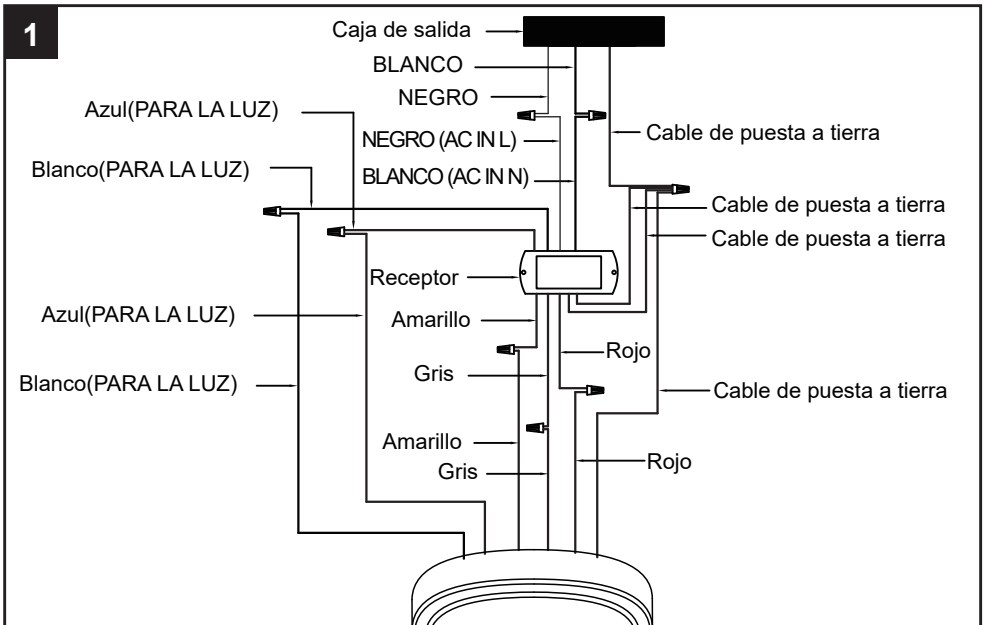
- Conecte el conductor BLANCO del ventilador al conductor BLANCO marcado "FOR LIGHT" del receptor.
- Conecte el conductor AZUL del ventilador al conductor AZUL marcado "FOR LIGHT" del receptor.
- Conecte el conductor AMARILLO del ventilador al conductor AMARILLO del receptor.
- Conecte el conductor GRIS del ventilador al conductor GRIS del receptor.
- Conecte el conductor ROJO del ventilador al conductor ROJO del receptor.
- Conecte el conductor NEGRO marcado "AC IN L" del receptor al conductor del suministro NEGRO.
- Conecte el conductor BLANCO marcado "AC IN N" del receptor al conductor del suministro BLANCO.
- Conecte los conductores DE PUESTA A TIERRA (VERDES) de la abrazadera de montaje, la bola de la varilla y el receptor al conductor DE PUESTA A TIERRA (VERDE o de COBRE DESNUDO) de la casa.

### Aditamentos utilizados

Conector de conductores



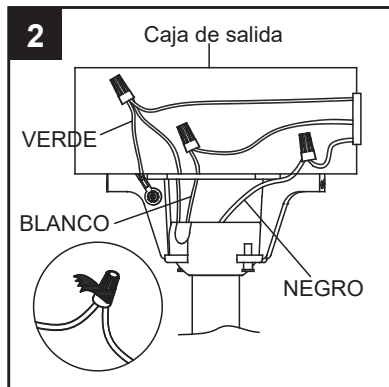
x 8





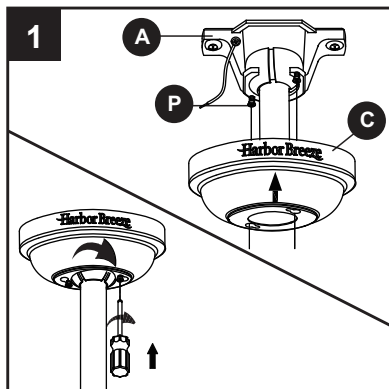
## INSTRUCCIONES DE CABLEADO

- Coloque cinta aislante (no se incluye) alrededor de cada conector de conductores y asegúrese de que no haya conductores desnudos ni filamentos de conductores visibles después de hacer las conexiones. Luego, gire los conductores hacia arriba y, con cuidado, colóquelos dentro de la caja de salida. Asegúrese de que las conexiones BLANCAS y VERDES estén de un lado y de que las conexiones NEGRAS estén del otro.

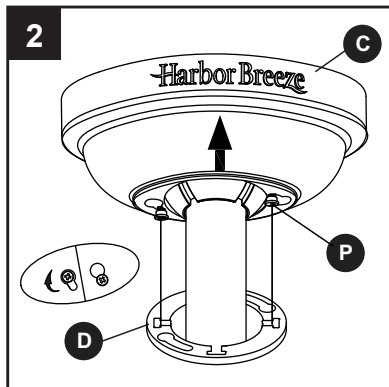


## INSTRUCCIONES DE INSTALACIÓN FINALES

- Afloje (pero no retire) los dos tornillos del soporte de montaje (P) preensamblados en el soporte de montaje (A) que se alinean con los orificios ranurados en la base (C). Levante la base (C) para que los orificios ranurados calcen con las cabezas de los tornillos flojos en el soporte de montaje (A). Luego, gire la base (C) en dirección de las manecillas del reloj, apriete bien todos los tornillos.



- Levante la cubierta de la base (D) sobre los tornillos del soporte de montaje (P) visibles en la base (C). Gire la cubierta de la base (D) en dirección de las manecillas del reloj hasta fijarla en su lugar. Es posible que necesite ajustar los tornillos del soporte de montaje (P) hasta que la base (C) y su cubierta (D) estén ajustadas.



## INSTRUCCIONES DE INSTALACIÓN FINALES

3. Fije el aspa (G) al ensamble del motor (F) con los tornillos del aspa (AA) proporcionados. Repita con las otras aspas.

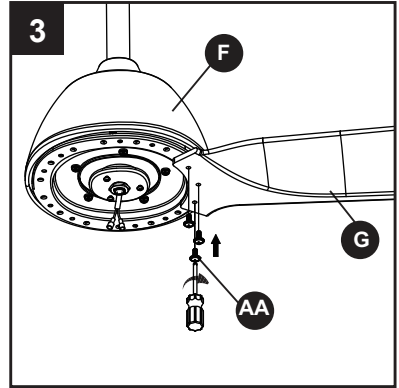
### Aditamentos utilizados



Tornillo para aspa

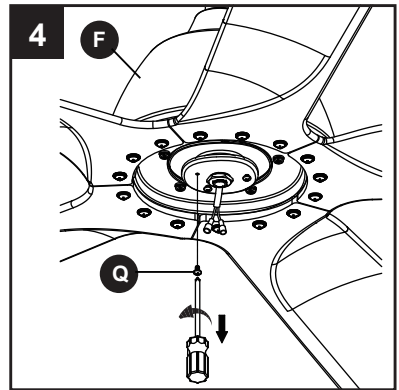


x 15

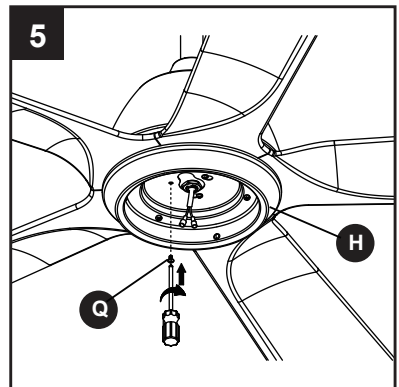


## INSTRUCCIONES DE INSTALACIÓN FINALES

4. Retire uno de los tornillos de montaje (Q) de la placa de montaje del ensamble del motor (F) y luego suelte los otros dos.

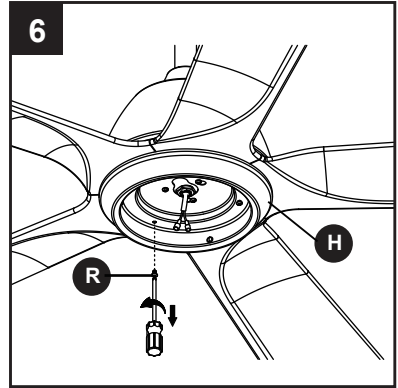


5. Inserte los conductores con 2 conectores de una clavija del ensamble del motor a través del orificio central de la carcasa del interruptor (H). Fije la carcasa del interruptor (H) a la placa de montaje en el ensamble del motor. Para ello, coloque las ranuras con forma de cerradura de la carcasa del interruptor (H) en las dos cabezas sobresalientes de los dos tornillos de montaje (Q). Ajuste la carcasa del interruptor (H) hasta que las cabezas de los tornillos se alineen con los orificios con forma de cerradura, luego vuelva a instalar el tornillo de montaje (Q) que retiró previamente en el paso 4. Apriete firmemente todos los tornillos de montaje (Q).

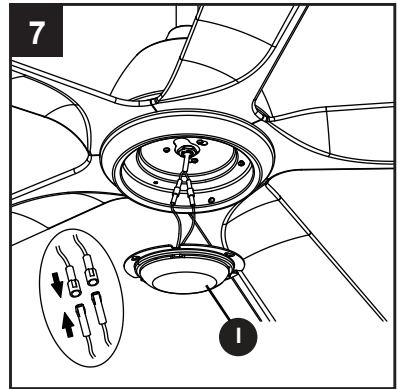


## INSTRUCCIONES DE INSTALACIÓN FINALES

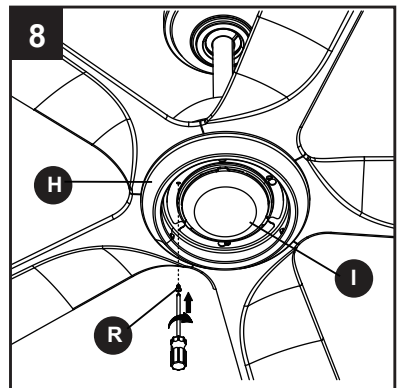
6. Retire uno de los tres tornillos (R) de la carcasa del interruptor (H) y guárdelos para su uso posterior. Luego, afloje los otros dos.



7. Conecte los 2 conectores de un solo pasador del kit de iluminación (I) a los 2 conectores de un solo pasador del ensamblaje del motor. Conecte el conductor negro al conductor azul de la lámpara y conecte también los conductores blancos.

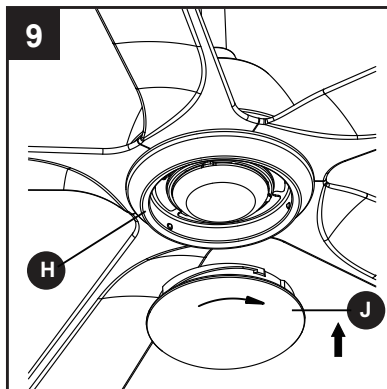


8. Fije el kit de iluminación (I) a la caja del interruptor (H) con las dos ranuras con forma de cerradura del kit de iluminación (I). Vuelva a colocar el tornillo que quitó previamente en el paso 6. Apriete firmemente todos los tornillos de la caja del interruptor (R).



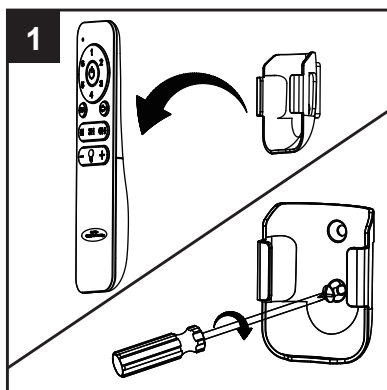
## INSTRUCCIONES DE INSTALACIÓN FINALES

9. Asegure la pantalla (J) a la carcasa del interruptor (H) y gire en dirección de las manecillas del reloj. No apriete demasiado.

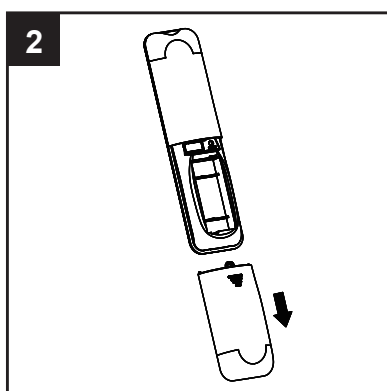


## INSTRUCCIONES DE FUNCIONAMIENTO

1. Deslice el transmisor fuera del soporte. Seleccione una ubicación para instalar su soporte. Fije el soporte con los tornillos proporcionados.



2. Abra la cubierta de las baterías.

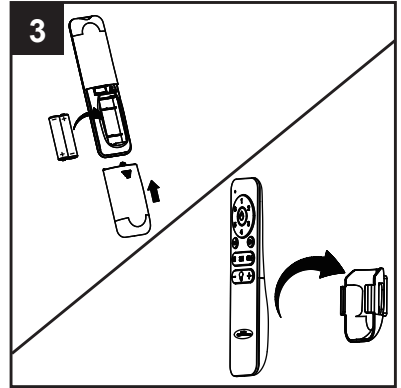


## INSTRUCCIONES DE FUNCIONAMIENTO

3. Para que el ventilador funcione, instale dos baterías AAA de 1.5 voltios (se incluye). Vuelva a colocar la cubierta de las baterías.

**NOTA:** este control remoto utiliza dos baterías AAA de 1.5 voltios. Reemplace las baterías por otras del tamaño y el tipo correcto. Limpie los contactos de la batería y el área interior del dispositivo antes de instalar las baterías nuevas. Asegúrese de que las baterías estén instaladas de manera correcta en lo que se refiere a la polaridad (+ y -).

**NOTA:** retire las baterías si el control remoto no se ha utilizado durante un período largo con el fin de evitar daños. Almacene el control remoto alejado del calor y humedad extremos.



4. Cada transmisor de este control remoto lleva un código de identificación único para facilitar la comunicación entre dispositivos vinculados. El código de identificación se establece en la fábrica y no lo puede cambiar el usuario. Sin embargo, se le pedirá que realice un proceso de "aprendizaje de código de identificación" manualmente en estas circunstancias:

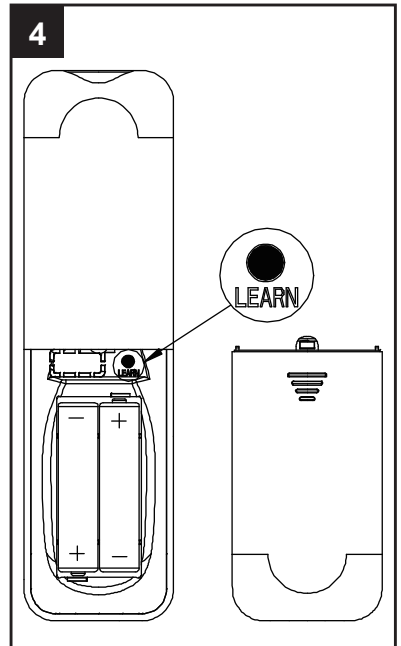
- Si tiene varios ventiladores instalados cerca y desea controlar todos los ventiladores con un mismo transmisor remoto.

**NOTA:** cada ventilador requiere su propio receptor.

- Cuando su control remoto no responde (asegúrese de que la batería no esté descargada)
- Después de haber reemplazado un transmisor o receptor defectuoso por uno nuevo.

De lo contrario, el control remoto no funcionará. Para realizar este proceso manualmente, siga los pasos a continuación:

Presione el botón "LEARN" (aprender) durante 5 segundos o más dentro de los 30 segundos después de restaurar la energía al ventilador. Luego de esto, el ventilador emitirá dos pitidos y la luz parpadeará dos veces. Esto indica que se ha completado el proceso de aprendizaje del código.



## INSTRUCCIONES DE FUNCIONAMIENTO

### 5. Funciones del control remoto:

- Luz indicadora

Botones (1 a 6): Velocidad del ventilador.

⏻ : Apaga el ventilador

≡ : La velocidad del ventilador se modulará para simular una brisa natural.

↻ : El ventilador gira hacia delante o hacia atrás.

1H : El ventilador y la luz se apagarán después de 1 hora.

3H : El ventilador y la luz se apagarán después de 3 horas.

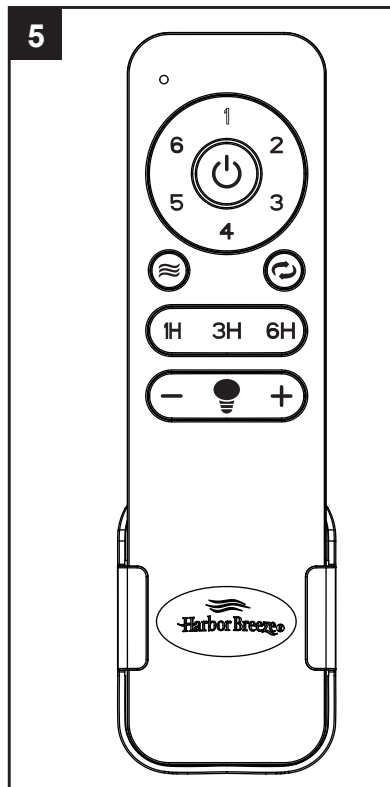
6H : El ventilador y la luz se apagarán después de 6 horas.

💡 : Encienda y apague las luces.

- : Disminuir el nivel de salida de luz

+ : Aumentar el nivel de salida de luz

**NOTA:** el ventilador tiene una función de memoria preestablecida, se mantendrá a la misma velocidad y brillo que la última vez que se apagó.



## CUIDADO Y MANTENIMIENTO

**⚠ IMPORTANTE:** antes de realizar cualquier trabajo de mantenimiento, desconecte el suministro de electricidad principal. No utilice agua ni un paño húmedo para limpiar el ventilador de techo.

- Al menos dos veces por año, apriete todos los tornillos y baje la base para inspeccionar los tornillos de la placa de montaje.
- Limpie el ventilador solo con un cepillo suave o un paño sin pelusas para evitar rayar el acabado. Limpie las aspas con un paño sin pelusas. De vez en cuando puede aplicar una fina capa de cera para muebles en las aspas de madera para darles más protección.

## SOLUCIÓN DE PROBLEMAS

PROBLEMA	CAUSA POSIBLE	ACCIÓN CORRECTIVA
El ventilador emite mucho ruido.	<ol style="list-style-type: none"> <li>1. Los tornillos de fijación están sueltos.</li> <li>2. Se está usando un control de velocidad no aprobado.</li> <li>3. Ruido normal.</li> <li>4. Los conectores de cables de la carcasa del interruptor repiquetean.</li> <li>5. Hay un aspa partida.</li> <li>6. La distancia de la base al techo es demasiado grande.</li> <li>7. La pantalla de vidrio no está asegurada.</li> </ol>	<ol style="list-style-type: none"> <li>1. Apriete todos los tornillos de fijación.</li> <li>2. Algunos motores de ventilador son sensibles a las señales de los controles de velocidad variable de estado sólido. NO USE un control de velocidad variable de estado sólido.</li> <li>3. Permita un período de “asentamiento” de 24 horas. La mayoría de los ruidos asociados con un ventilador nuevo desaparecerán después de este período.</li> <li>4. Compruebe que los conectores de cable de la carcasa del interruptor no repiqueteen unos contra otros o contra las paredes interiores de la carcasa del interruptor.</li> <li>5. Reemplace las aspas.</li> <li>6. Asegúrese de que la base superior esté a una distancia corta del techo. No debería tocar el techo.</li> <li>7. Asegure la pantalla de vidrio.</li> </ol>
El ventilador se tambalea.	<ol style="list-style-type: none"> <li>1. La abrazadera para colgar o la caja de salida del techo no están bien fijadas.</li> <li>2. El tornillo de fijación del ensamble de la varilla está suelto.</li> <li>3. La bola de gancho del ventilador no está correctamente asentada en las lengüetas de la base.</li> <li>4. El tornillo de fijación del acoplador del motor está suelto.</li> <li>5. El aspa está suelta.</li> </ol>	<ol style="list-style-type: none"> <li>1. Fije los tornillos de la abrazadera para colgar a la caja de salida o asegure la caja de salida.</li> <li>2. Apriete el tornillo de fijación del ensamble de la varilla.</li> <li>3. Corte el suministro de alimentación, sujete el ventilador con cuidado y verifique que la bola para colgar esté instalada correctamente.</li> <li>4. Levante el acoplador del motor y apriete bien los tornillos de fijación.</li> <li>5. Compruebe que todas las aspas estén firmemente atornilladas en los soportes de las aspas.</li> </ol>

## SOLUCIÓN DE PROBLEMAS

PROBLEMA	CAUSA POSIBLE	ACCIÓN CORRECTIVA
El ventilador se tambalea.	<ol style="list-style-type: none"><li>6. Las aspas están desequilibradas.</li><li>7. El ventilador está demasiado cerca del techo de bóveda.</li><li>8. Cambie a una velocidad diferente.</li><li>9. El ventilador no está bien colocado.</li></ol>	<ol style="list-style-type: none"><li>6. Intercambie dos aspas adyacentes; esto redistribuirá el peso y podría hacer que funcione más suavemente.</li><li>7. Baje o mueva el ventilador. Puede pedir varillas de extensión.</li><li>8. Cuando cambie de velocidad media a baja, puede notar que el ventilador tambalea un poco. Cuando el ventilador se estabilice a velocidad baja, el tambaleo debería desaparecer.</li><li>9. Asegúrese de que la base y el soporte de montaje estén bien apretados a la vigueta del techo.</li></ol>
El ventilador no arranca.	<ol style="list-style-type: none"><li>1. El ventilador está apagado, se quemó un fusible o el interruptor de circuito se desconectó.</li><li>2. Las conexiones de cableado están sueltas o son incorrectas.</li></ol>	<ol style="list-style-type: none"><li>1. Conecte el suministro de electricidad, reemplace el fusible o reinicie el interruptor de circuito.</li><li>2a. Corte el suministro de electricidad y afloje la base. Revise todas las conexiones según la sección INSTRUCCIONES DE CABLEADO en la página 28.</li><li>2b. Revise la conexión del enchufe en la carcasa del interruptor.</li></ol>
La luz no funciona.	<ol style="list-style-type: none"><li>1. La conexión de los conductores no es la adecuada.</li></ol>	<ol style="list-style-type: none"><li>1. Consulte el paso 7, en la página 31, para asegurarse de que se hayan realizado correctamente todas las conexiones de los conductores.</li></ol>



## **GARANTÍA LIMITADA DE POR VIDA**

---

El fabricante garantiza que este ventilador no presenta defectos en los materiales ni en la mano de obra presentes en el momento del transporte desde la fábrica, por un período de por vida (con limitaciones) a partir de la fecha de compra. Esta garantía es válida solo para el comprador original. El fabricante acepta reparar dichos defectos sin cargo o, según nuestro criterio, reemplazar el ventilador de techo por un modelo comparable o superior.

Para obtener el servicio de garantía, presente una copia del recibo de venta como comprobante de la compra. Todos los costos de extracción y reinstalación son responsabilidad explícita del comprador. Cualquier daño al ventilador de techo producido por accidente, uso indebido o instalación incorrecta, o a causa de accesorios de fijación, que no esté cubierto por esta garantía, será responsabilidad del comprador. El fabricante no asume ningún tipo de responsabilidad por la instalación del ventilador durante la garantía limitada de por vida. Cualquier servicio realizado por una persona no autorizada invalidará la garantía.

Debido a las cambiantes condiciones climáticas, esta garantía no cubre cambios en el acabado de latón, óxido, picaduras, deslustre, corrosión o descascarado. Los ventiladores con acabado mantienen su belleza cuando se los protege de las condiciones climáticas cambiantes.

Cualquier reemplazo de piezas defectuosas para el ventilador de techo debe informarse dentro del primer año a partir de la fecha de compra. Para conocer el saldo de la garantía, llame a nuestro Departamento de Servicio al Cliente al **888-251-1003** para obtener la autorización para la devolución y las instrucciones de envío, de modo que podamos reparar o reemplazar el ventilador de techo.

Cualquier ventilador o pieza devueltos con un embalaje incorrecto son responsabilidad única del comprador. No existe otro tipo de garantía explícita. El fabricante rechaza cualquiera y todas las garantías implícitas.

La duración de cualquier garantía implícita que no pueda rechazarse se limita al período limitado de por vida especificado en nuestra garantía. El fabricante no será responsable por daños incidentales, resultantes o especiales que surjan en relación con el uso o el funcionamiento del producto, excepto que la ley indique lo contrario. Esta garantía le otorga derechos legales específicos, y usted tiene también otros derechos que varían según el estado. Esta garantía sustituye cualquier garantía previa.

**Nota:** una pequeña cantidad de "tambaleo" es normal y no se debe considerar como un defecto.

## ADVERTENCIA DE LA FCC

---

Este dispositivo (incluye control remoto y módulo LED) cumple con la sección 15 de las reglas de la FCC. El funcionamiento está sujeto a las siguientes dos condiciones:

(1) Este dispositivo no debe causar interferencia perjudicial y (2) deberá aceptar cualquier interferencia recibida, incluida la interferencia que pudiese causar la operación no deseada. Tenga presente que cualquier cambio o modificación que no esté expresamente aprobado por la parte responsable del cumplimiento podría anular la autorización del usuario para utilizar el equipo.

**NOTA:** tanto el control remoto como el módulo LED han sido probados y se ha verificado que cumplen con los límites para un dispositivo digital Clase B, conforme a la parte 15 de las reglas de la FCC.

Estos límites están diseñados para proporcionar protección razonable contra interferencia perjudicial en una instalación residencial.

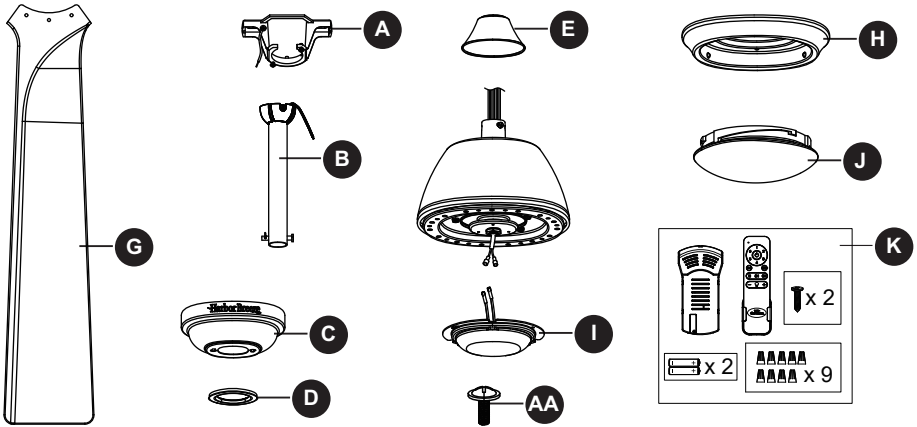
El control remoto genera, usa y puede irradiar energía de radiofrecuencia y, si no se instala y usa de acuerdo con las instrucciones, puede causar interferencia perjudicial a la recepción de radio o televisión, lo que se puede determinar al apagar y encender el equipo. Se recomienda al usuario que intente corregir la interferencia con una o más de las siguientes medidas:

- Reorientar o reubicar la antena de recepción.
- Aumentar la separación entre el equipo y el receptor.
- Conectar el equipo a un tomacorriente de un circuito distinto al que usa el receptor.

Solicite ayuda al distribuidor o a un técnico con experiencia en radio/TV.

## LISTA DE PIEZAS DE REPUESTO

Para obtener piezas de repuesto, llame a nuestro Departamento de Servicio al Cliente al **888-251-1003**, de lunes a domingo de 8 a.m. a 8 p.m., hora estándar del Este. También puede ponerse en contacto con nosotros en [ascs@lowes.com](mailto:ascs@lowes.com).



PIEZA	DESCRIPCIÓN	PIEZA#	CUBIERTO POR LA GARANTÍA
A	Soporte de montaje	A102-0460084	SÍ
B	Ensamble de la varilla	A103-0443529	SÍ
C	Base	A101-0281529	SÍ
D	Cubierta de la base	A108-0013529	SÍ
E	Cubierta del acoplador	A106-0488529	SÍ
G	Aspa	A141-0682003	SÍ
H	Carcasa del interruptor	A188-0421529	SÍ
I	Kit de iluminación	A187-0544529	SÍ
J	Pantalla	A182-0580001	SÍ
K	Unidad de control remoto	A137-0699001	SÍ
AA	Tornillo para aspa	B166-1325324	SÍ

