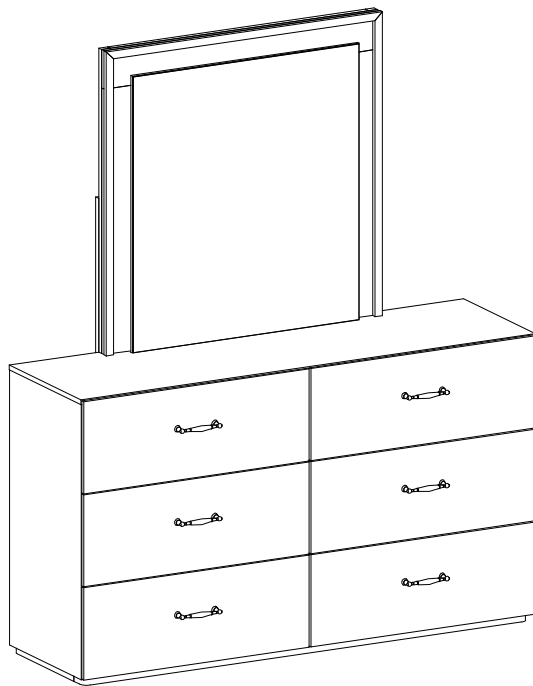


# ASSEMBLY INSTRUCTIONS

---



## TOOLS REQUIRED



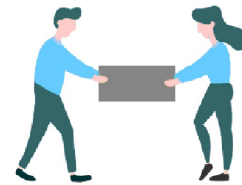
Allen Wrench

(Included)



Screwdriver

(Not Included)



2 - Persons  
Recommended

## ASSEMBLY RATING



EASY ————— DIFFICULT

The Assembly Rating is a 5-point system showing the level of effort needed to assemble a specific product.



## **CHECK BEFORE STARTING**

### **Are you missing anything?**

Double-check all parts, hardware and accessories listed are all accounted for.

### **Check out our Quick Tips!**

We recommend reviewing the pre-assembly handouts. Even experts need a refresher now and then!

### **Should we send any replacements?**

Are there any irregularities or flaws in the parts? We can send replacements!

### **Prep Time!**

Please review the assembly instructions and all diagrams prior to assembling.

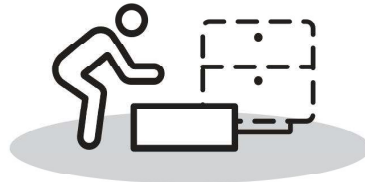
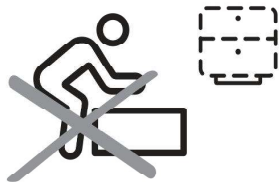
# PRE ASSEMBLY INTRODUCTION

We understand building ready-to-assemble furniture can be a challenging experience for some. To help avoid confusion, we have provided some helpful tips that may speed up the process.



## Teamwork

ALWAYS have at least two people to help with transporting and assembling the product to avoid potential injury and/or damage.



## Suitable Location

Assembling near the area of the intended location is highly recommended.



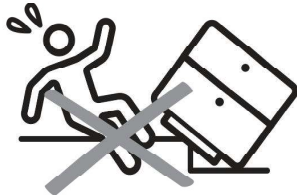
## Sufficient Space

Make sure you have enough space to move around during the assembly.



## Avoid Scratches

Use cardboard, blankets or a carpeted area while assembling furniture to prevent to prevent scratches and damages.

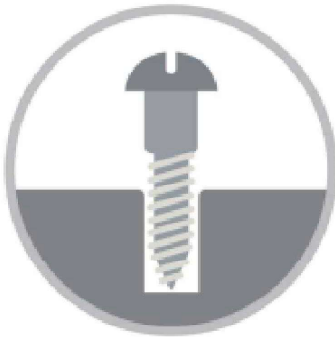


## Flat Surface

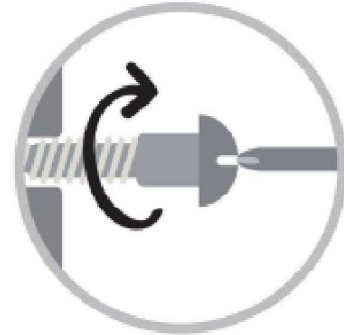
Make sure the furniture rests on a flat and level surface with each leg evenly touching the floor.

# ASSEMBLY AND CARE ADVICE

 **FAILURE TO FOLLOW THE GUIDELINES BELOW MAY RESULT IN INJURY AND/OR PROPERTY DAMAGE.**



Position each part correctly and insert screws or bolts into their respective holes.



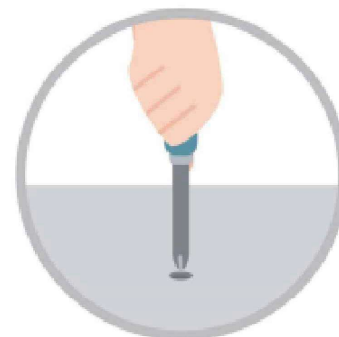
Turn clockwise to tighten and only tighten when step is completed or when instructed to do so.



Use the appropriate hand tools or power tools for assembly. Select steps, such as tightening screws and/or bolts, may require hand tools to avoid causing damage during assembly.



Save the instructions and store any supplied tools for later maintenance.



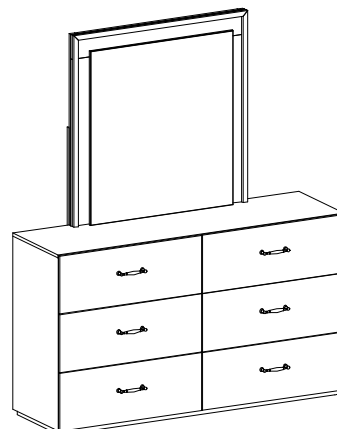
After two weeks, check and tighten any loose hardware and repeat again every six months thereafter.

IT IS THE USER'S RESPONSIBILITY TO MAINTAIN THE FURNITURE. THE HARDWARE MAY LOOSEN OVER TIME AND MAY CAUSE THE FURNITURE TO BE WOBBLY AND UNABLE TO SUPPORT ITS INTENDED WEIGHT CAPACITY. THIS MAY LEAD TO COLLAPSE AND MAY CAUSE SERIOUS INJURY.

# MIRROR



- Please keep instructions for future reference.
- Check the quantity and irregularity of parts and hardware before you start.



## PARTS

① 1pc



Mirror

② 2pcs



Mirror Support

③ 1pc



Dresser

## HARDWARE

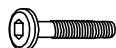
### HARDWARE INSIDE MIRROR

Ⓐ 1pc



Allen Key M4

Ⓑ 8pcs



BOLT M6 x 35mm

Ⓒ 8pcs



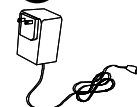
Lock washer

Ⓓ 8pcs



Flat washer

Ⓔ 1pc



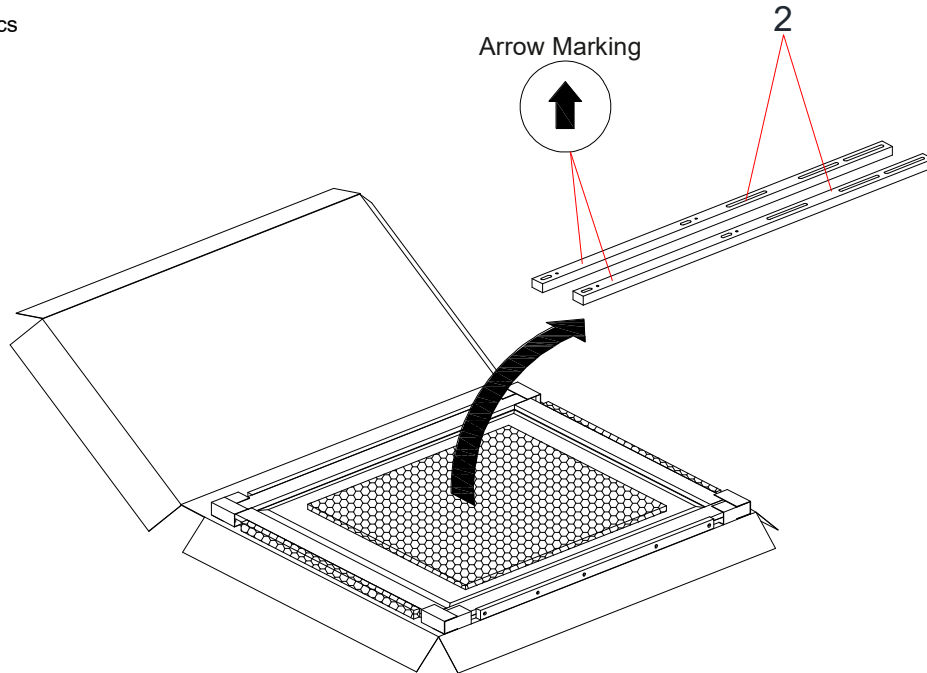
ADAPTOR

# ASSEMBLY INSTRUCTIONS

1

Part ② x2pcs

Take out the Mirror support rails (2) from the carton box.



2

Attach Mirror Support Rail (2) to Mirror (1) as shown and fasten using JCBC Bolt (B), Spring Washer (C), Flat Washer (D) with Allen Wrench (A).

Part ① x1pc

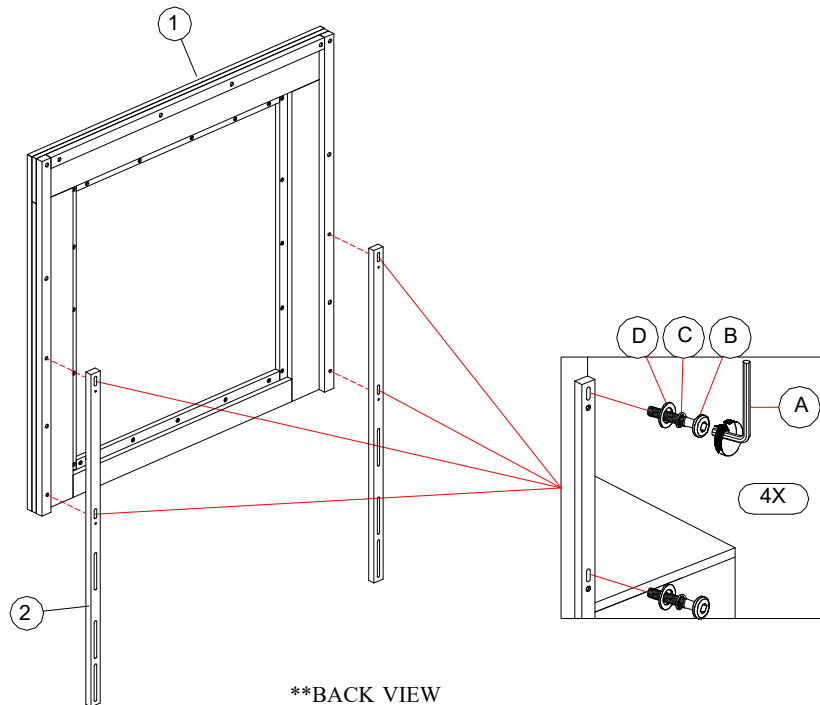
Part ② x2pcs

Hardware ① x1pc

Hardware ② x4pcs

Hardware ③ x4pcs

Hardware ④ x4pcs

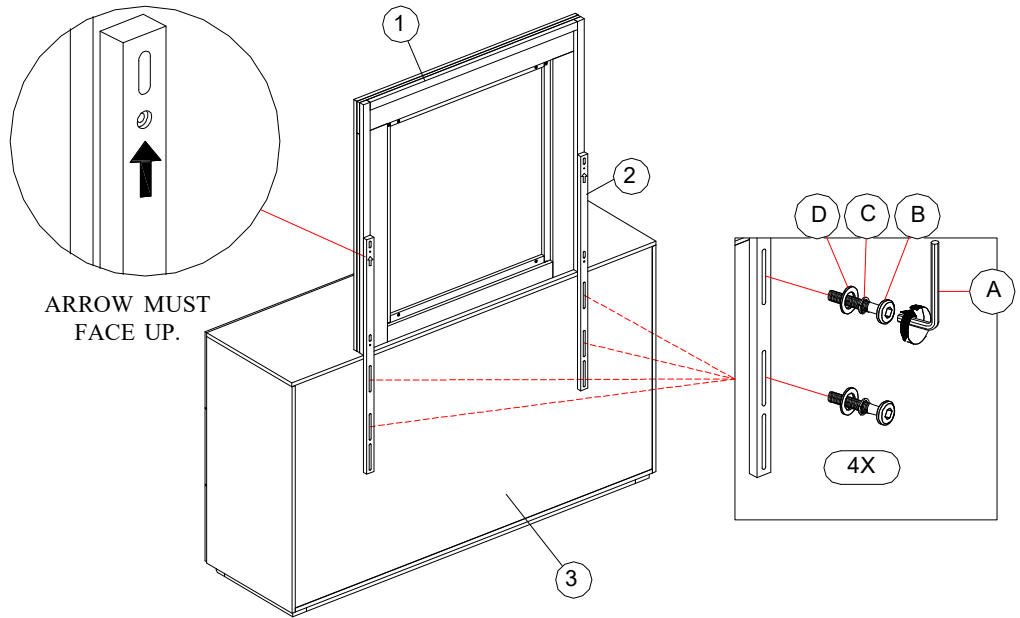


\*\*BACK VIEW

# ASSEMBLY INSTRUCTIONS

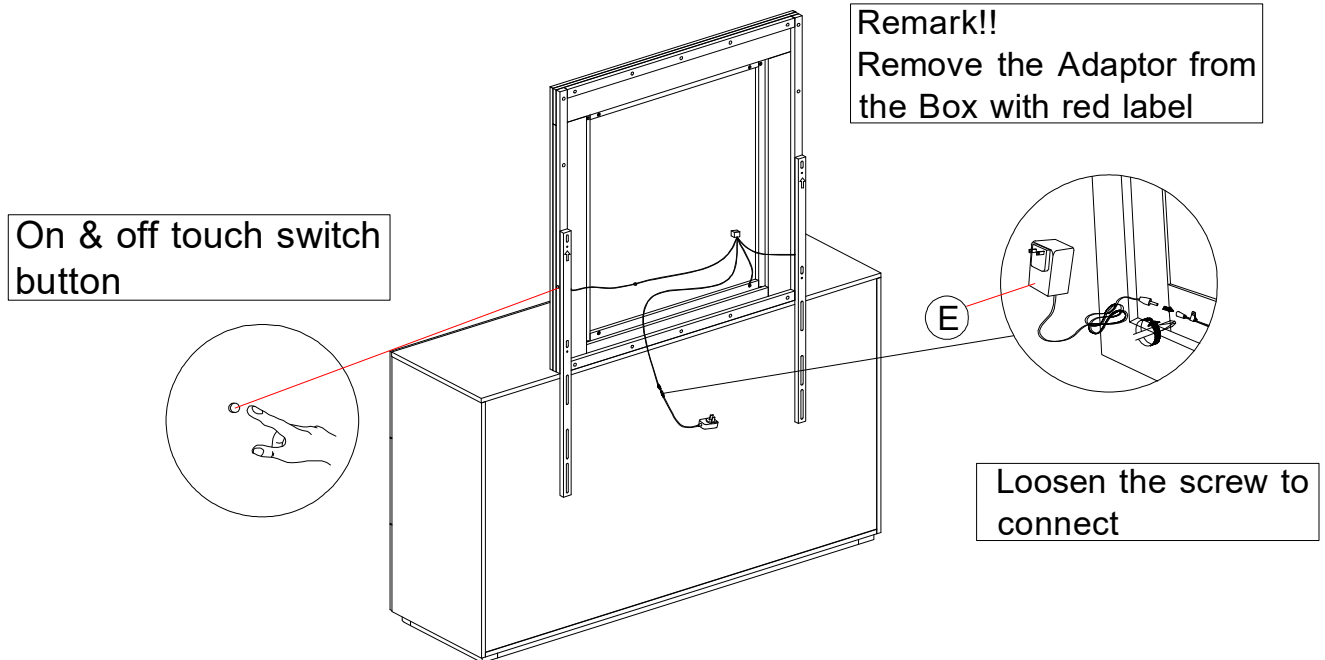
Place the Mirror ( 1 ) on the top of Dresser ( 3 ) as shown. Align & fasten mirror support ( 2 ) to the back of dresser(3) using JCBC Bolt ( B ), Spring Washer ( C ), Flat Washer ( D ) with Allen Wrench ( A ).

- 3**  
Part ① x1pc  
Part ② x2pcs  
Part ③ x1pc  
Hardware ④ x1pc  
Hardware ⑤ x4pcs  
Hardware ⑥ x4pcs  
Hardware ⑦ x4pcs

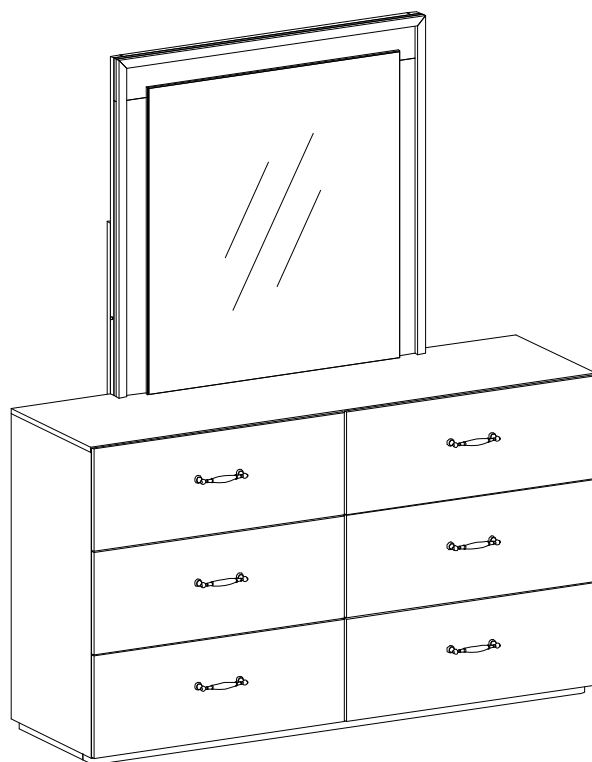


\*\*BACK VIEW

- 4**  
Part ⑧ x1pc



# ASSEMBLY INSTRUCTIONS



## **ASSEMBLY COMPLETED**



Please ensure the furniture rests on an even and flat surface. If the product wobbles or feels loose, double-check all bolts and/or screws are properly tightened and secured.



### **Keep this handy!**

Please retain this instruction manual and any order-related information for future reference.



### **Lift, don't drag!**

To avoid damage to product please always LIFT the product when transporting or adjusting the placement.

**This product is intended for RESIDENTIAL USE ONLY and not for commercial use.**