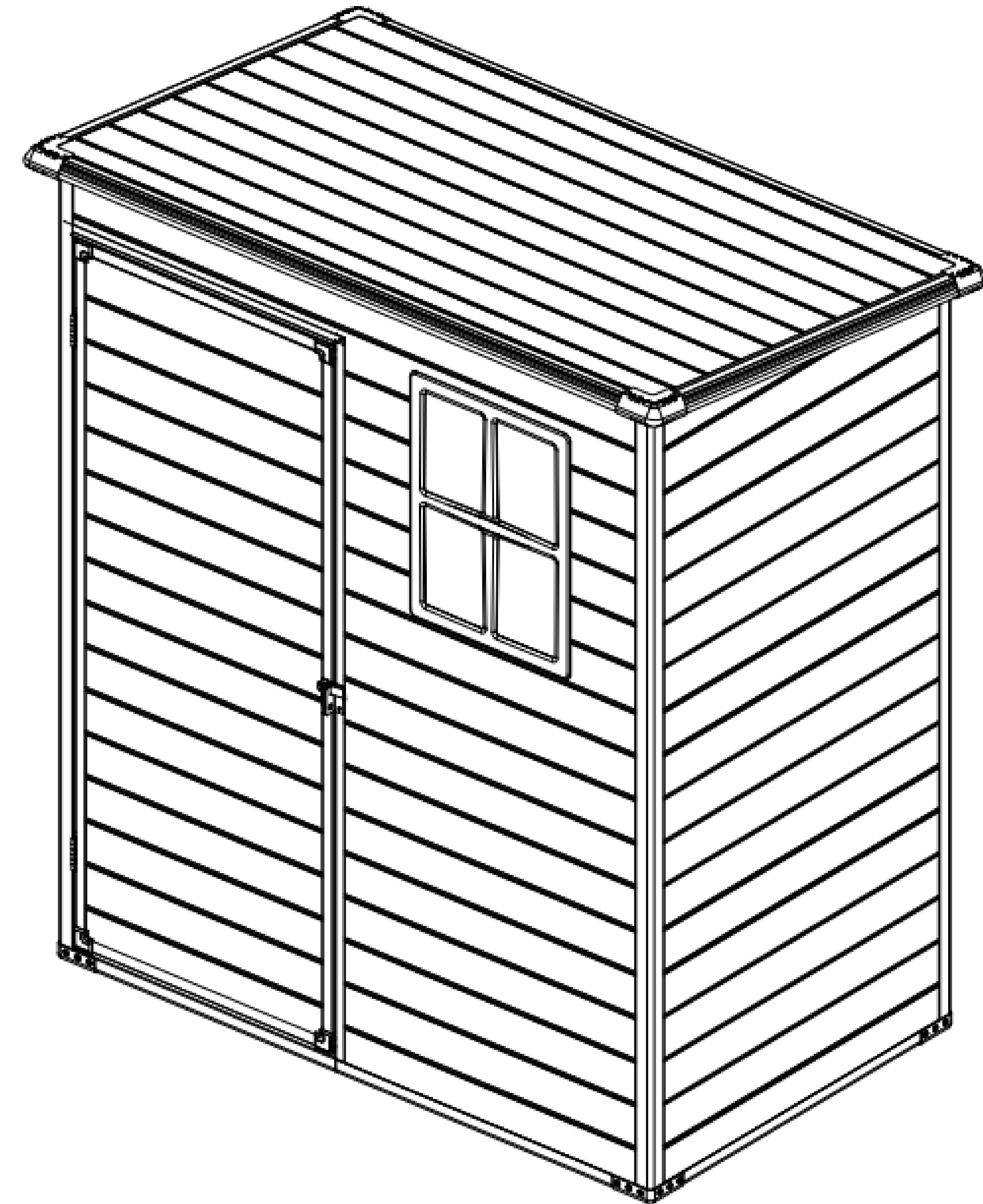


Resin Garden Shed

OWNER'S MANUAL Instructions for Assembly



Requires three people and take 3-4 hours for installation.
Quick & Easy assembly. Ridge Reinforced Walls.
Available in Various Sizes.

BEFORE YOU START

Owner's Manual

Prior to installation, it is important that you contact your local government authority to determine if building approval is required. Study and understand this owner's manual. Important information and helpful tips will make your construction easier and more enjoyable.

Assembly instructions

Instructions are supplied in this manual and contain all appropriate information for your building model. Review all instructions before you begin. During assembly, follow the step sequence carefully for correct results. Please be aware: **this unit takes two people about one full day to complete.**

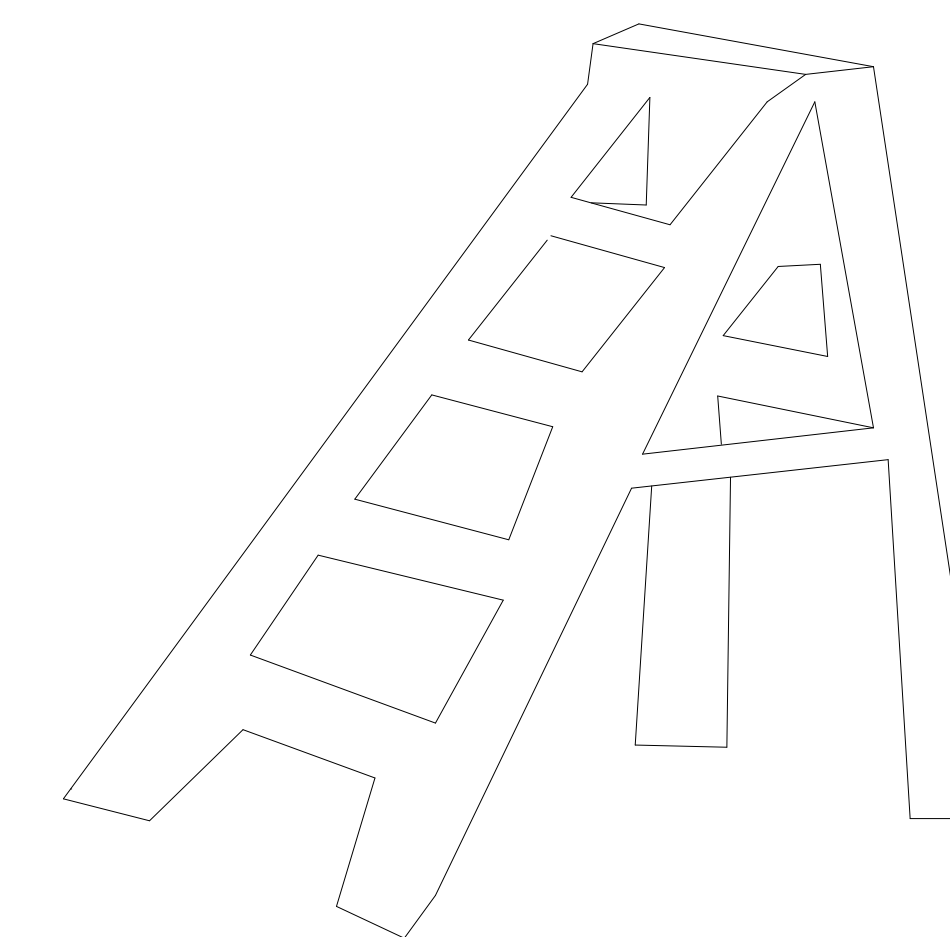
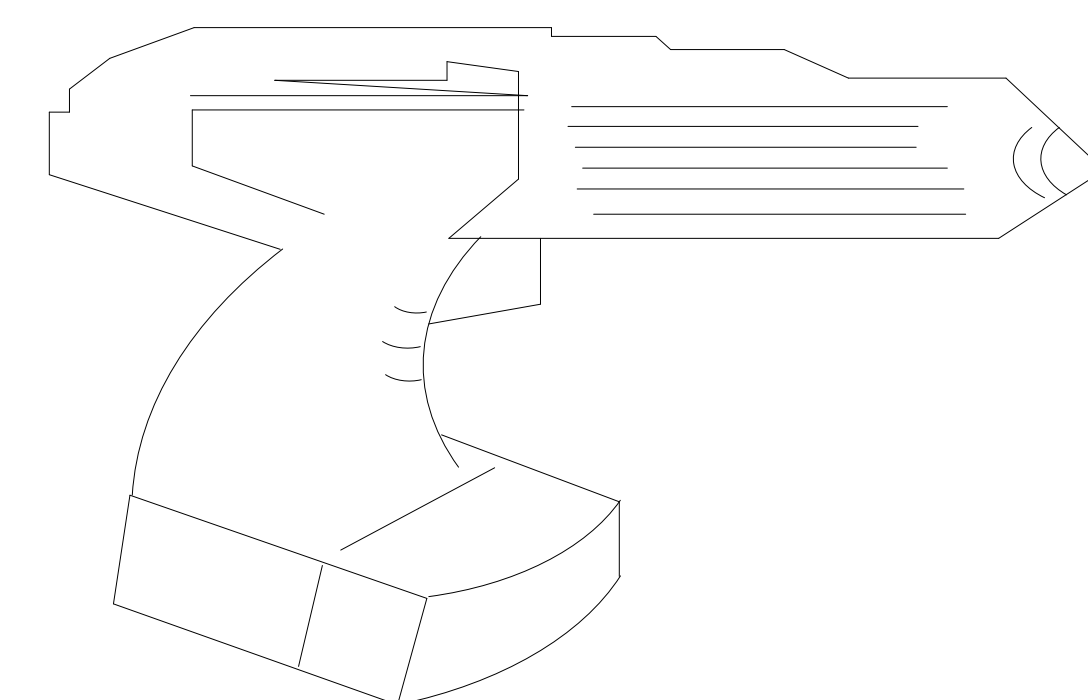
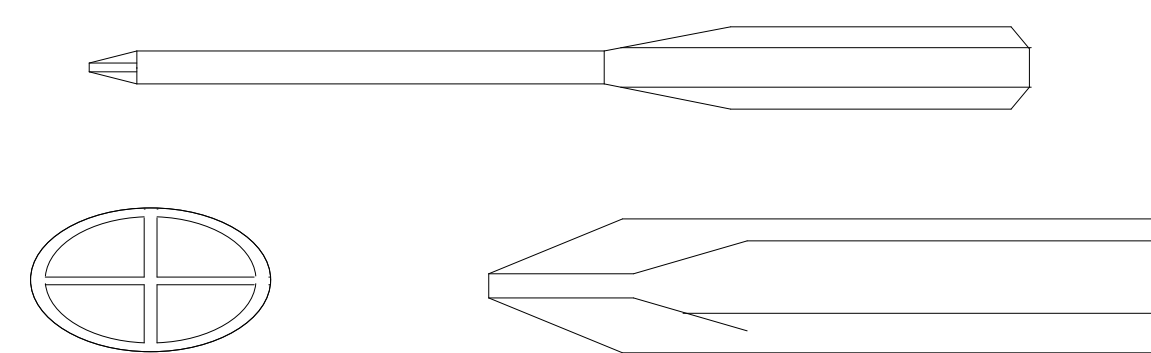
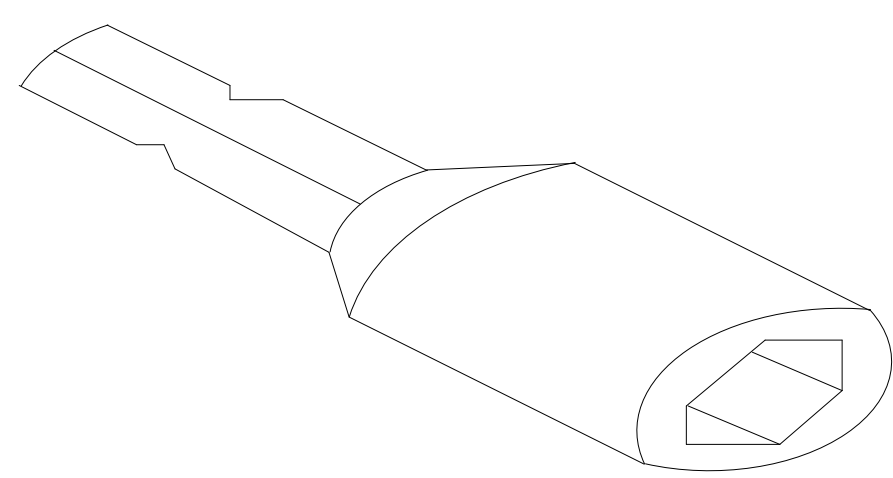
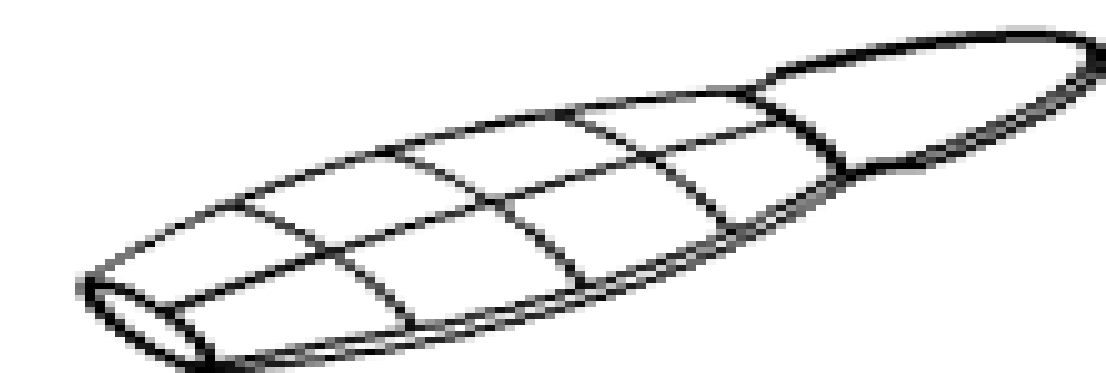
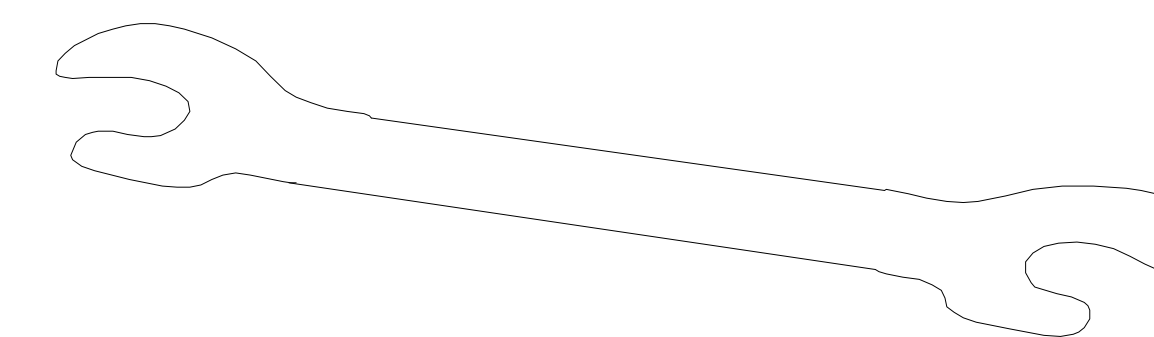
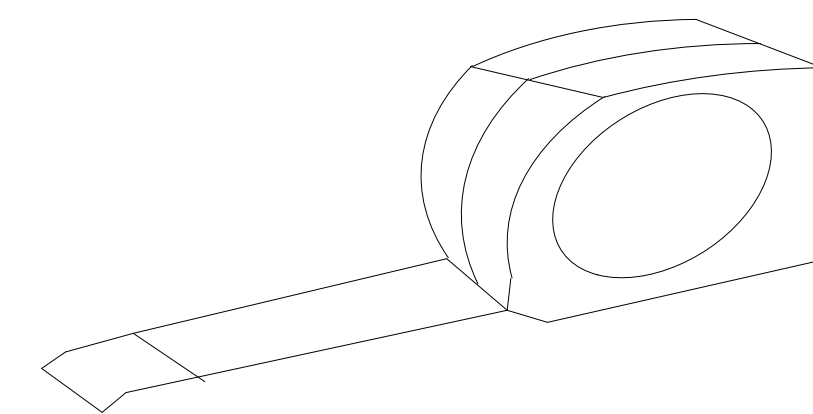
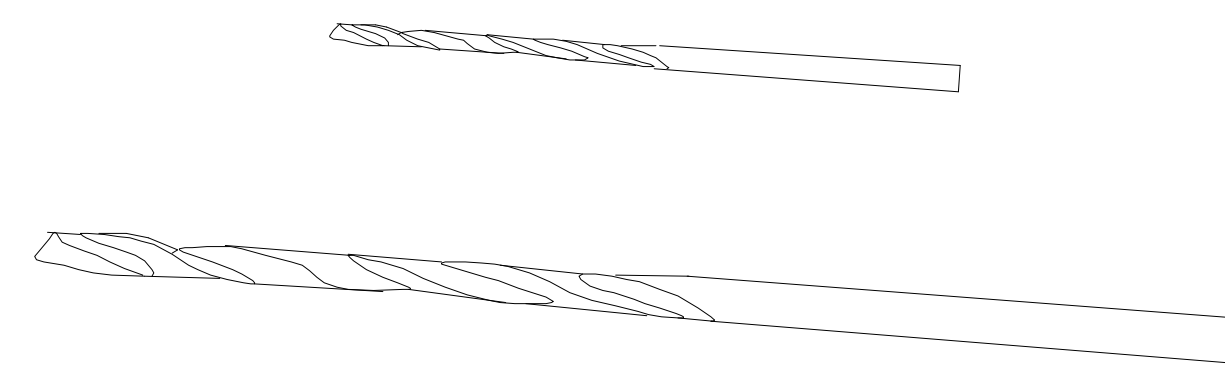
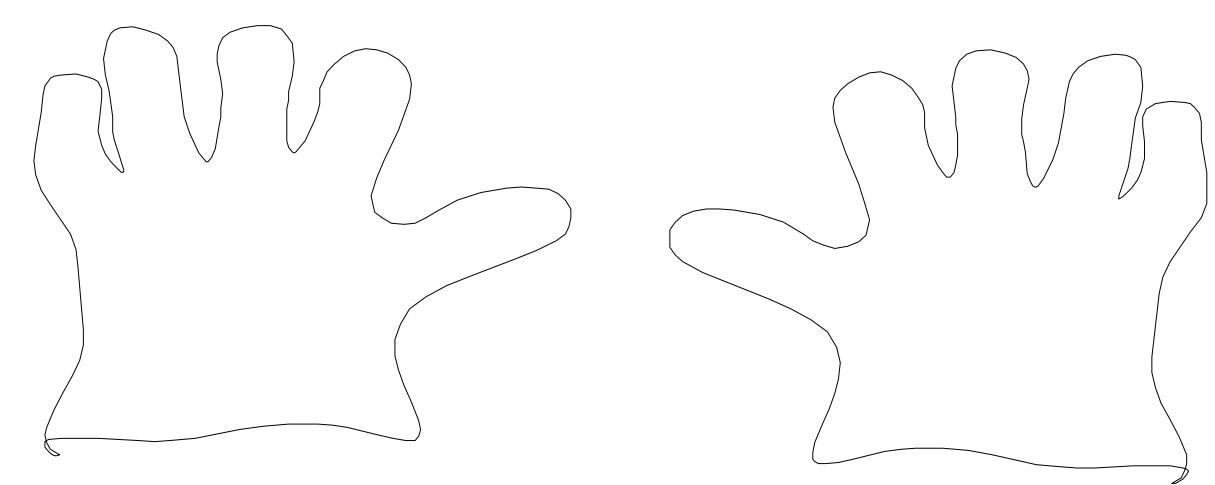
Parts

Check to be sure that you have all the necessary parts for the building.

Separate contents of the carton by the part number while reviewing parts list.

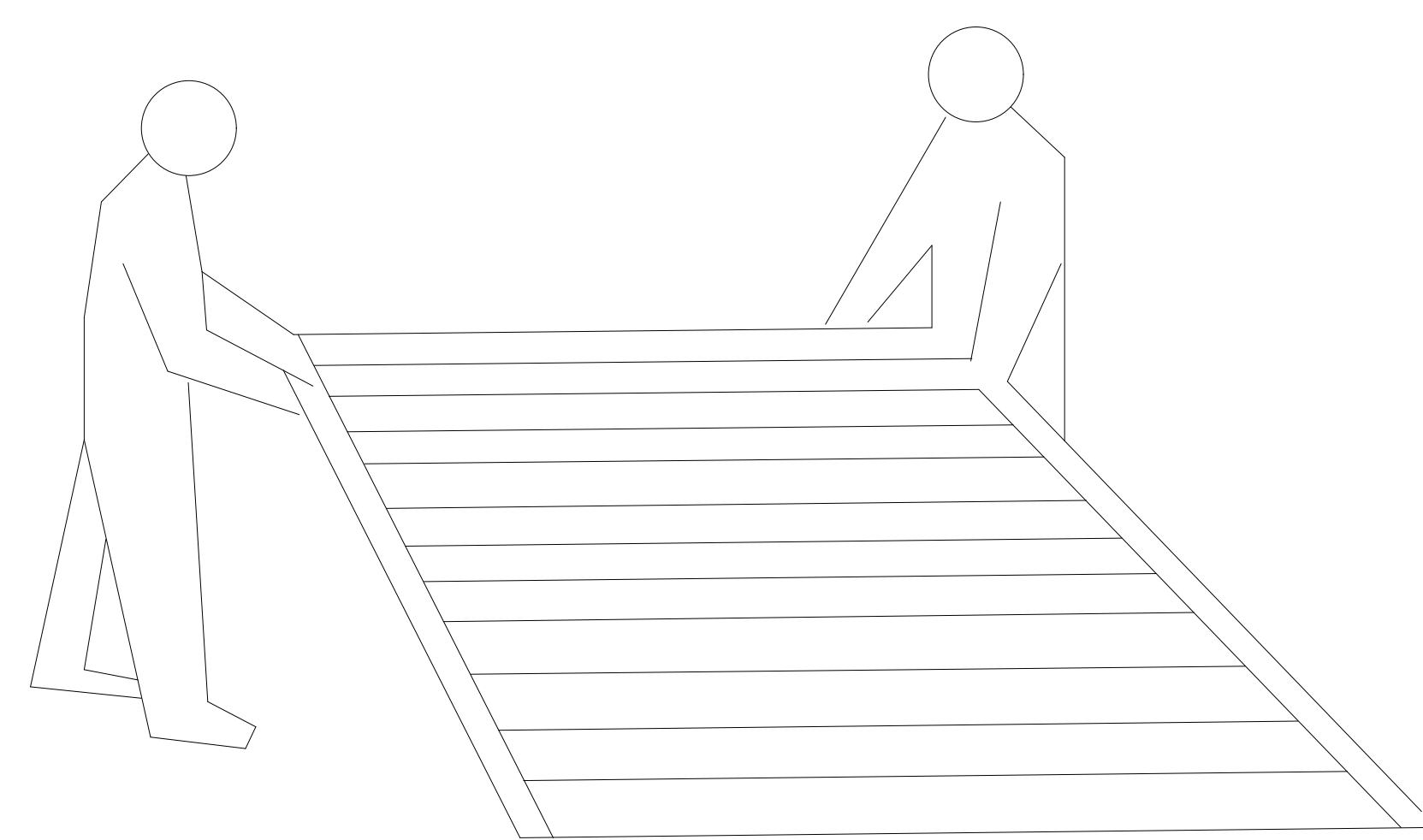
Familiarize yourself with the hardware and fasteners for easier use during construction. These are packaged within the carton. Note that extra fasteners have been supplied for your convenience.

TOOLS MAY REQUIRED



Use heavy duty gloves when handling steel sheets and flashing

PLAN AHEAD



Watch the weather:

Please be sure the day you select for installation is dry and calm.

DO NOT attempt to assemble your shed in windy weather because of risk of damage to panels, or personal injury. Be careful of wet or muddy ground.

Teamwork:

Whenever possible, two or more people should work together to assemble the building. One person can position parts or panels

PLAN AHEAD

Site Selection

- Avoid overhanging trees as much as possible as leaves will make regular cleaning necessary and broken branches are a potential hazard.
- Small trees, bushes or fences nearby can be helpful, acting as a wind break.

If a concrete pad is made, it is important that this slopes towards the edges to prevent water ingress. Time must be allowed for any concrete or cement to dry before building the shed on top.

Site Preparation

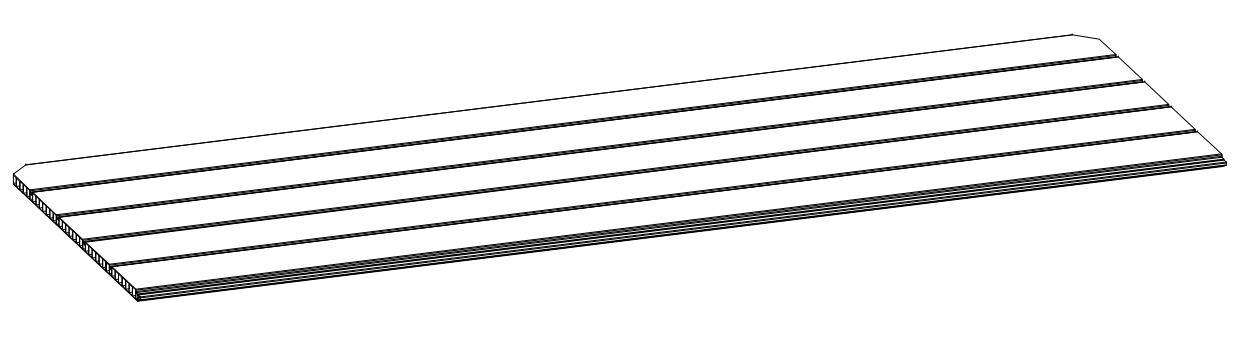
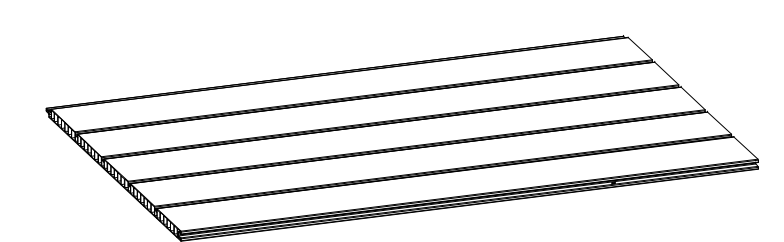
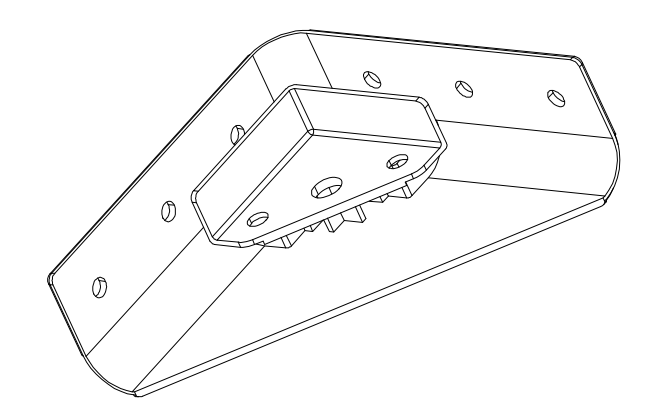
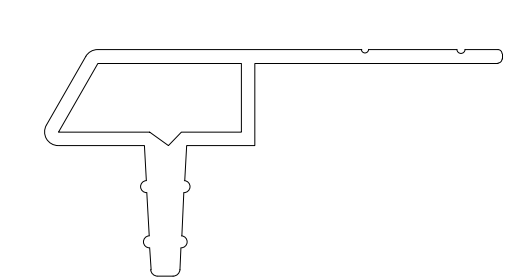
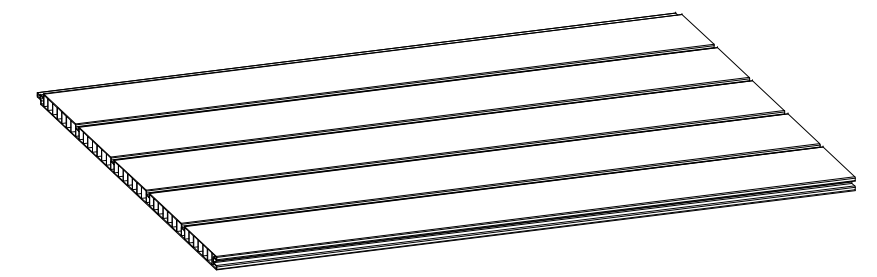
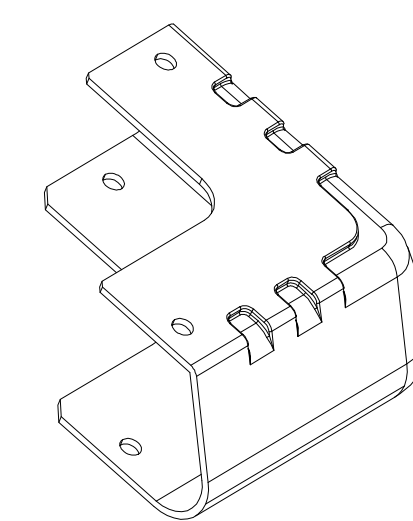
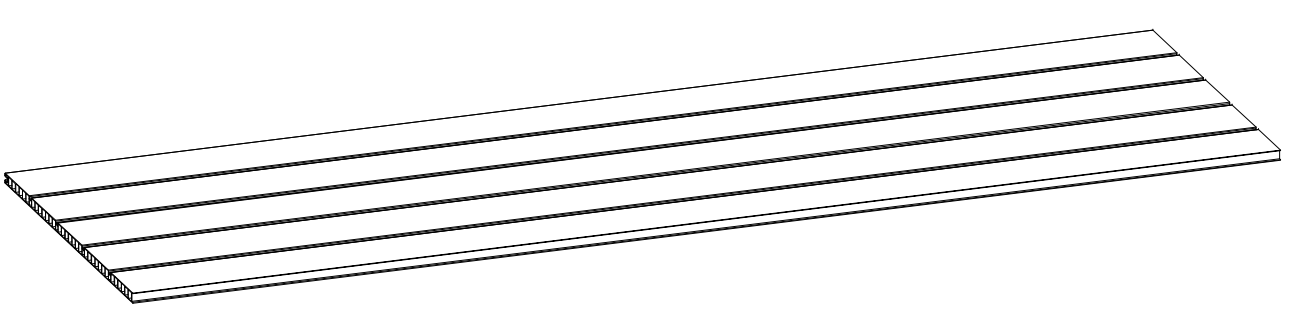
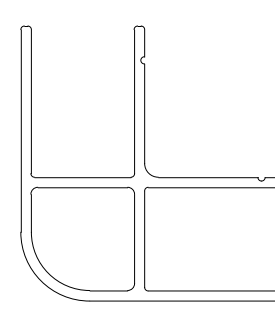
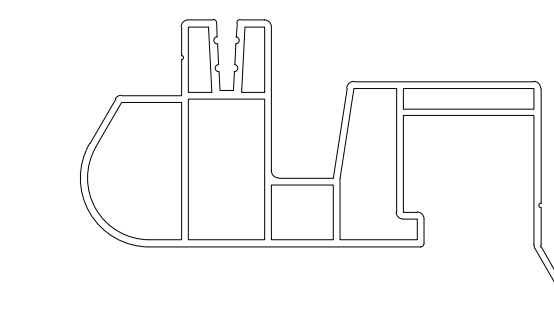
The site must be prepared so that the base of the shed is level all round and checking with a spirit level is required.

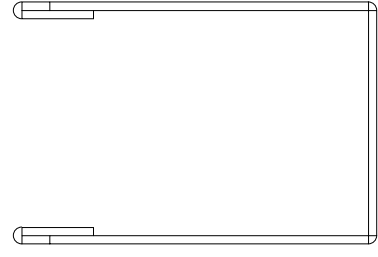
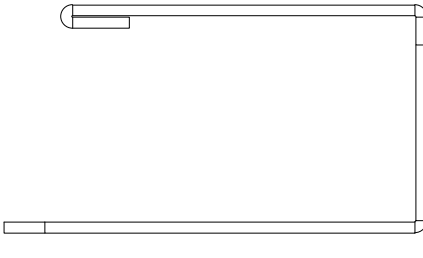
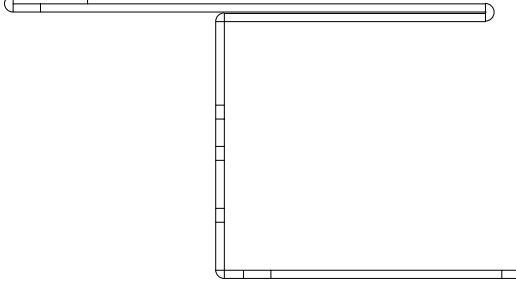
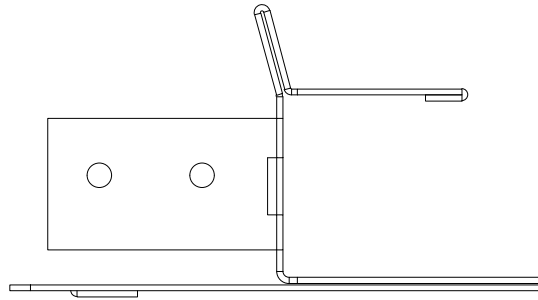
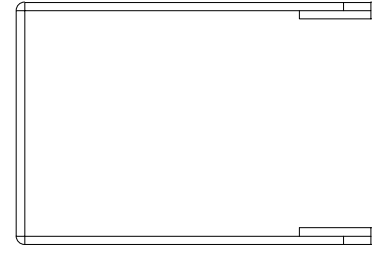

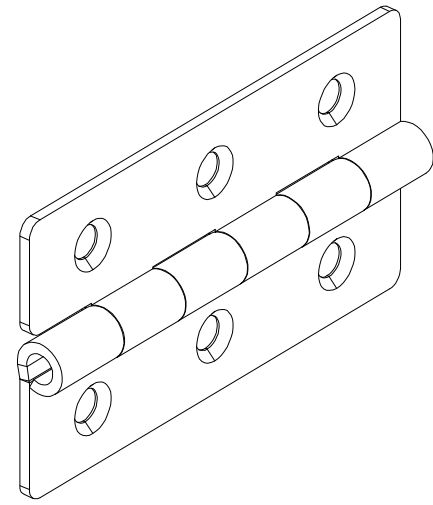
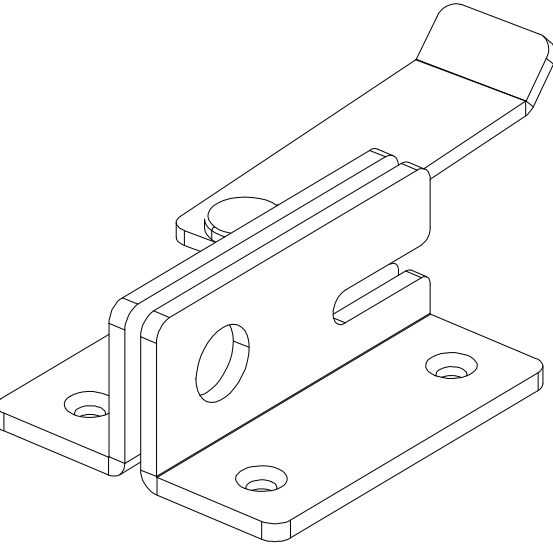
The base can be constructed by treated timber or concrete, in order to stop the moisture getting into the shed. **The shed is not designed to be built onto lawn directly.** Also the ground will get muddy during rainy days.

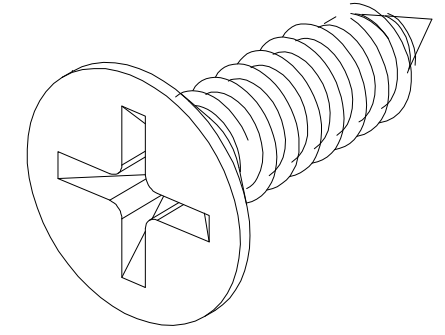
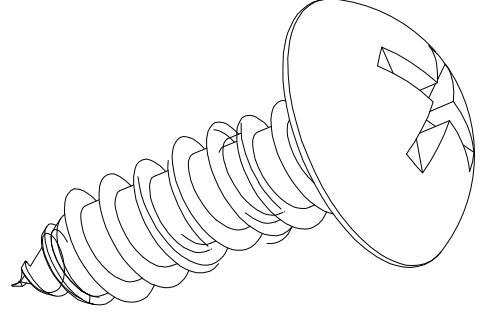
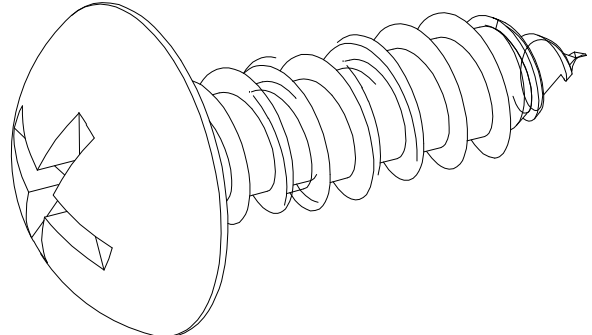
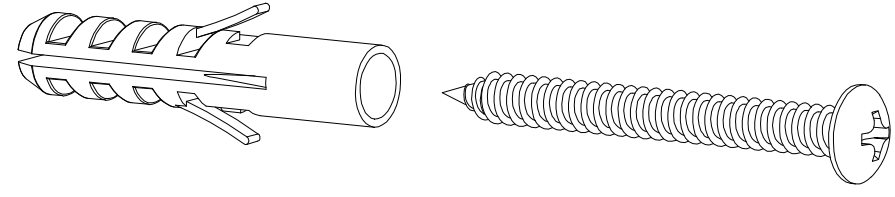
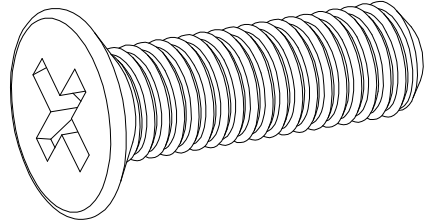
Bases can also be constructed from bricks, blocks, or mounted on a concrete pad. The bricks or blocks should be cemented onto firm and level concrete footings and the greenhouse frame drilled and screwed to the base.

IMPORTANT NOTES:

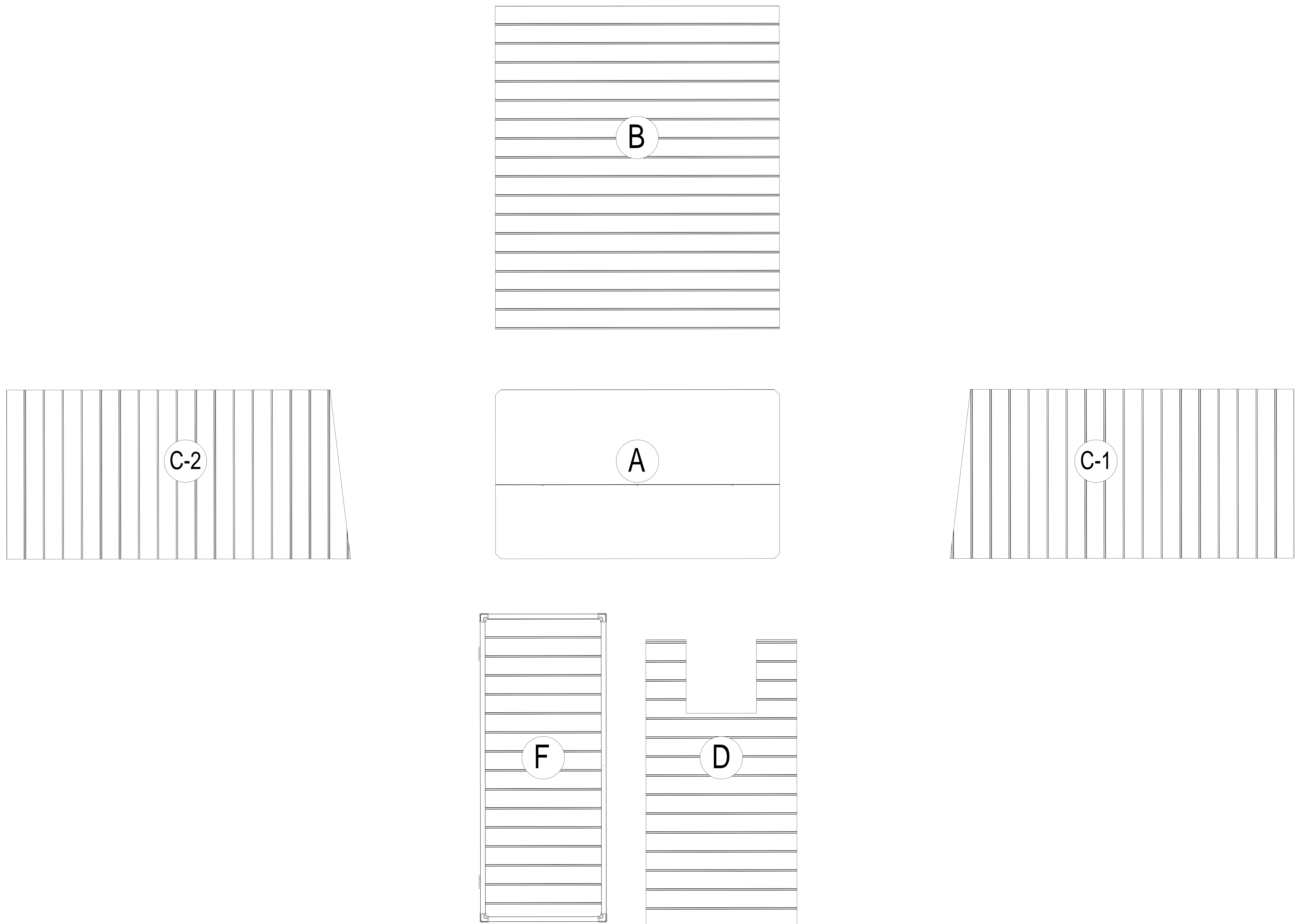
- Find someone to help you: it is much easier with someone to hold parts, pass tools ect. Also some steps require two people to lift structures together. This is not very heavy work so would suit most able-bodied people.
- Allow plenty of time: rushing often causes errors and the re-doing of incorrect assemblies. If you have never built a shed before, it can take most of a day to carefully complete the construction.
- Have the right tools to hand.
- Safety clothing as recommended in the 'Tools' section.
- Ideally lay out the parts and check that all are present before commencing construction. Lay on cloths or plastic sheets if there is any risk of scratching the parts.
- Tighten all nuts carefully, being sure not to miss any. Check the frame is square and using a spirit level to check that it is upright.

F35-C01		x 1	F35-C09		x 2	F35-C17		x 2	F35-C27		x 3
F35-C02		x 1	F35-C10		x 6	F35-C18		x 2	F35-C28		x 1
F35-C03		x 1	F35-C11		x 1	F35-C19		x 1	F35-C29		x 4
F35-C04		x 3	F35-C12		x 1	F35-C20		x 2	F35-C30		x 4
F35-C05		x 1	F35-C13		x 1	F35-C21		x 1	F35-C31		x 1
F35-C06		x 1	F35-C14		x 3	F35-C22		x 2	F35-C32		x 1
F35-C07		x 1	F35-C15		x 2	F35-C23		x 2	F35-C33		x 1
F35-C08		x 1	F35-C16		x 2	F35-C24		x 1	C35-A01		x 1

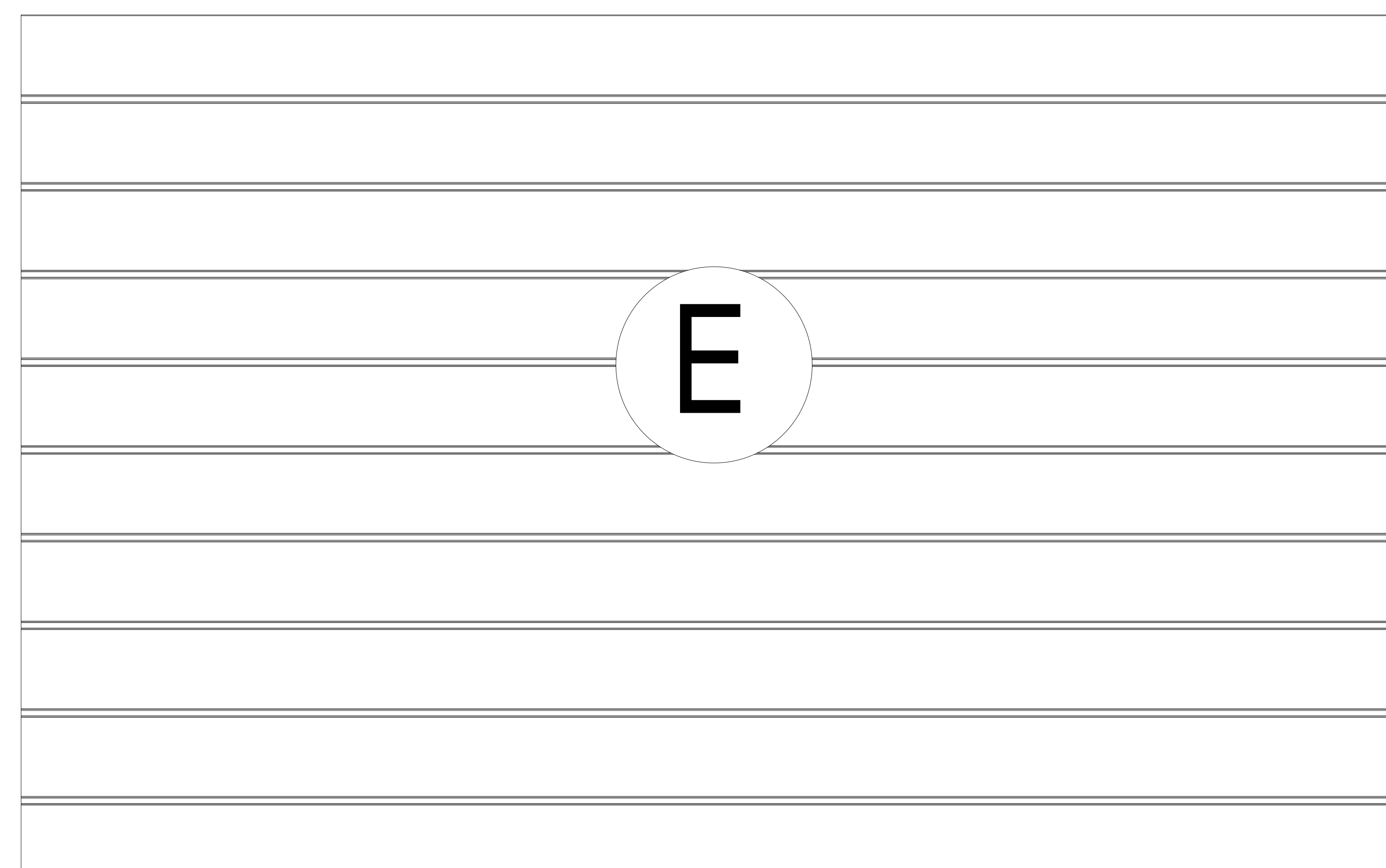
C35-A03		x 1					
C35-A06		x 2					
F35-A01		x 1					
F35-A02		x 1					
F35-A03		x 1					
F35-A04		x 1					
A64-A15		x 2					
F35-D02		x 1					

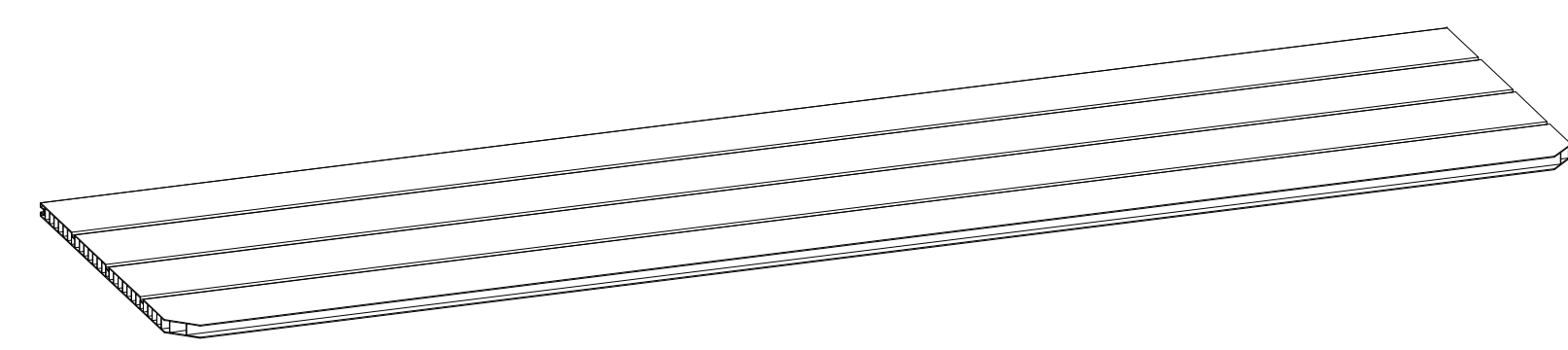
E01		x 20				
E02		x 166				
E03		x 24				
E04		x 4				
E12		x 12				

Pre-installed Exploded View I

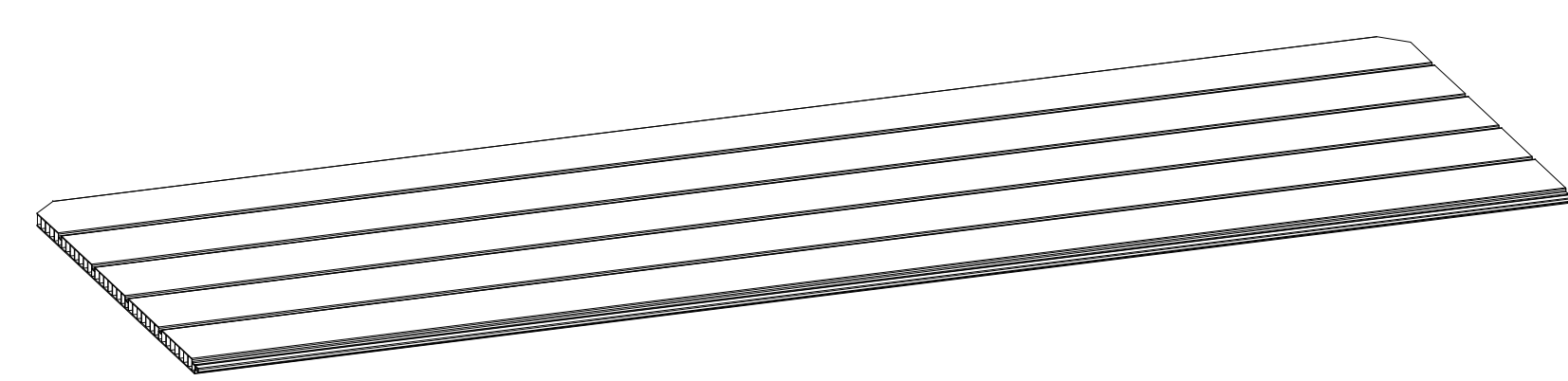


Pre-installed Exploded View II

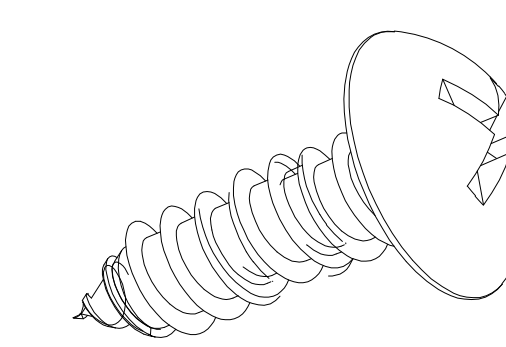




F35-C02 x1



F35-C01 x1

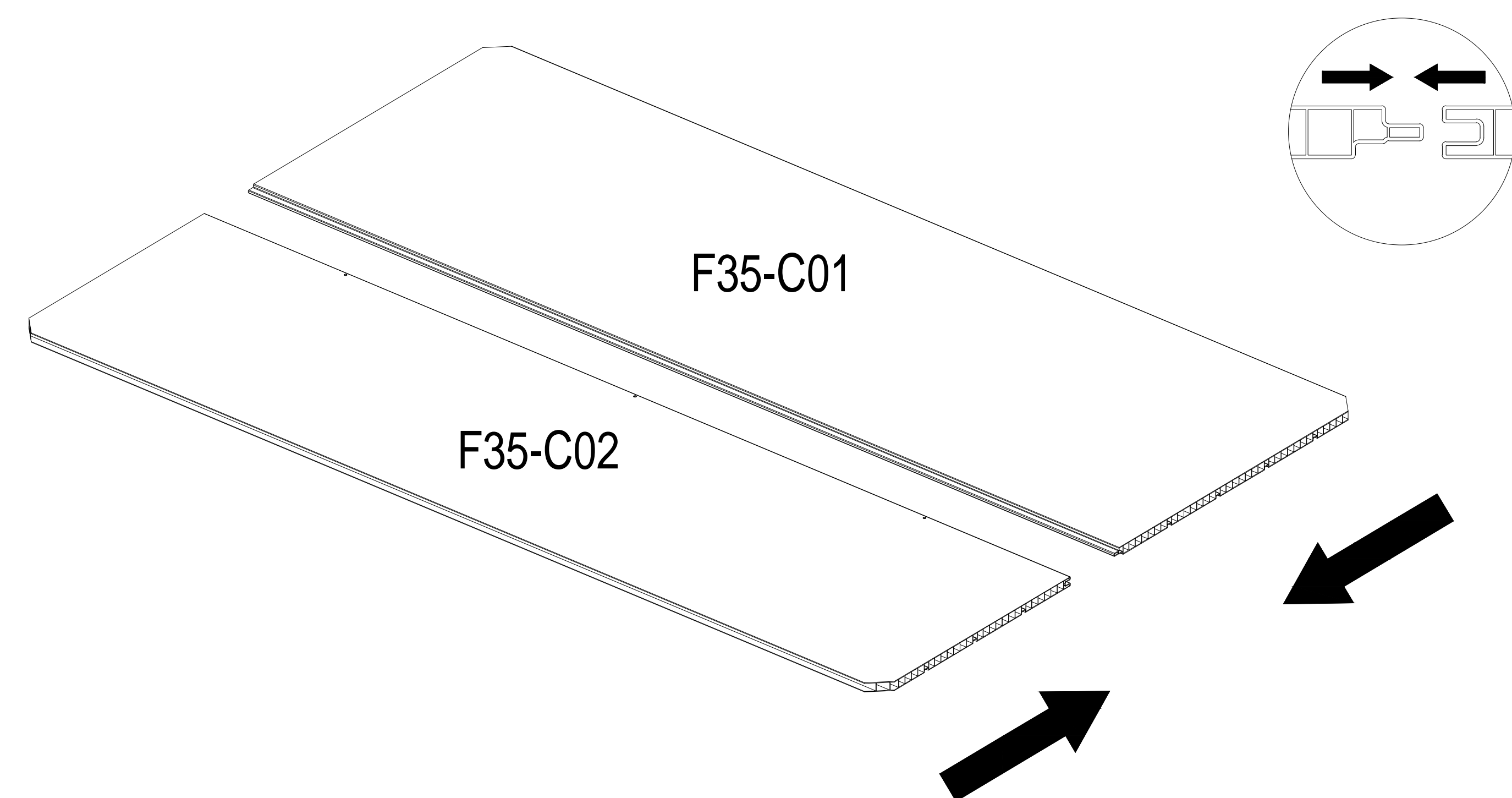


(ST4.2x12)
E02x3

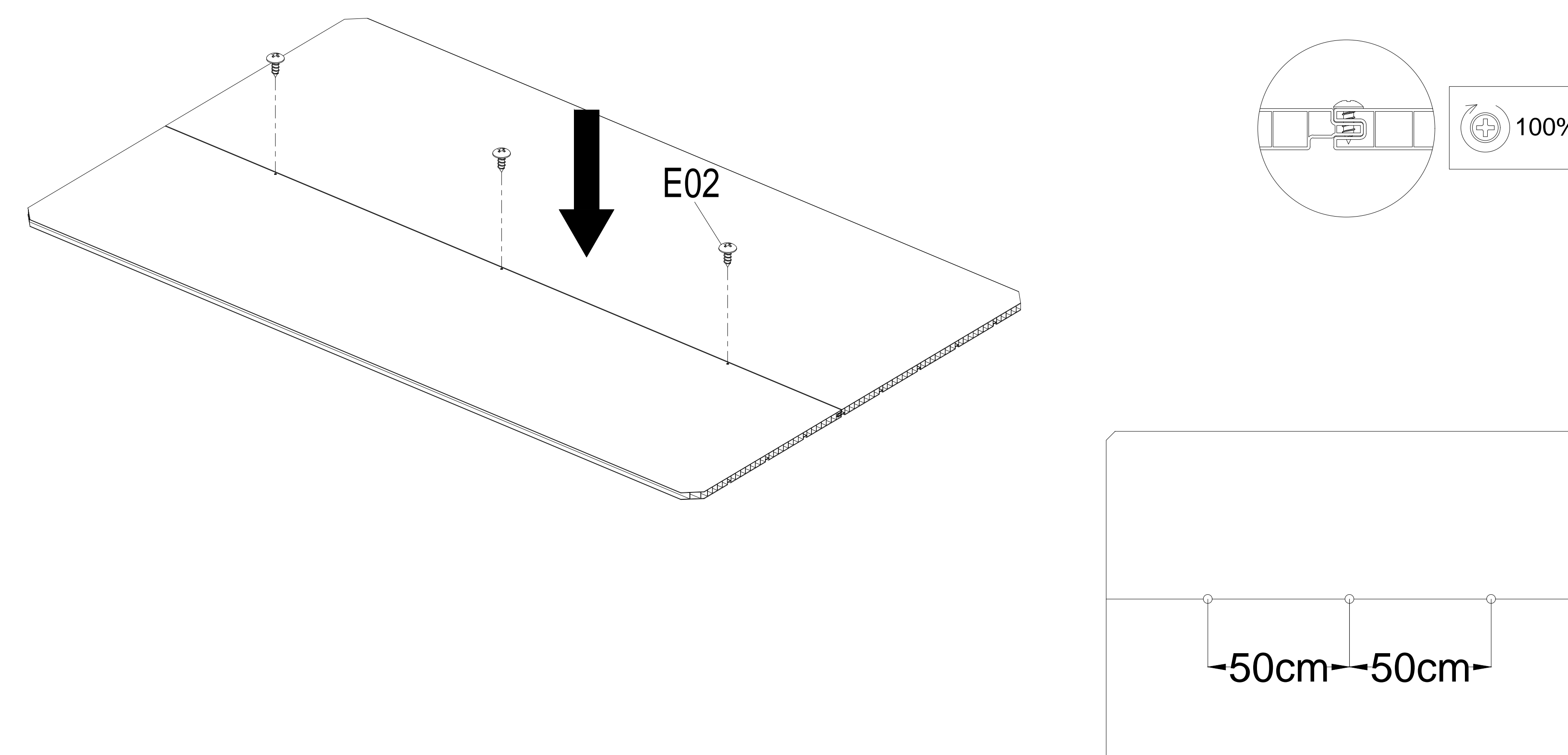
Pre-installed Basement

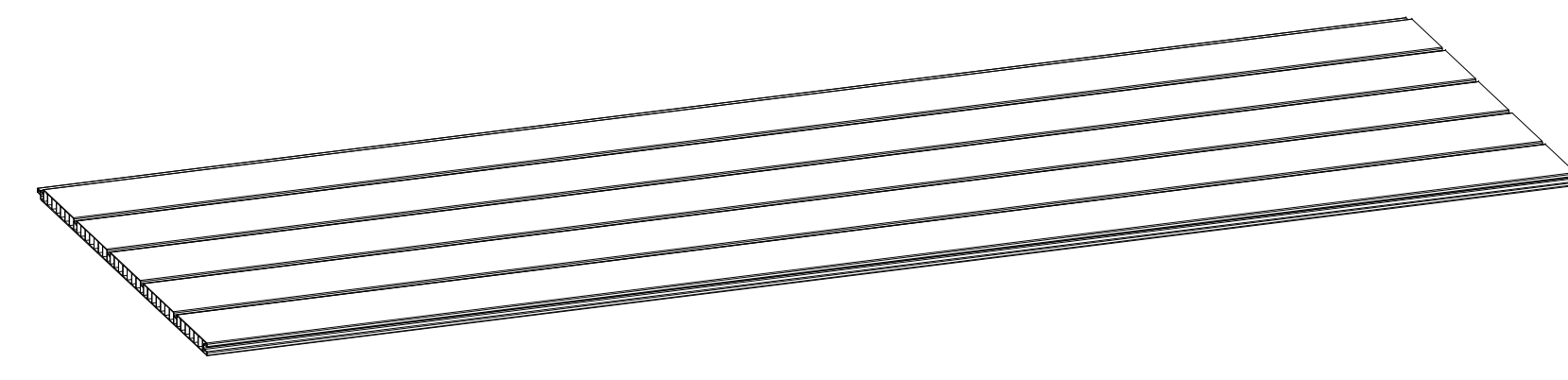
A

I

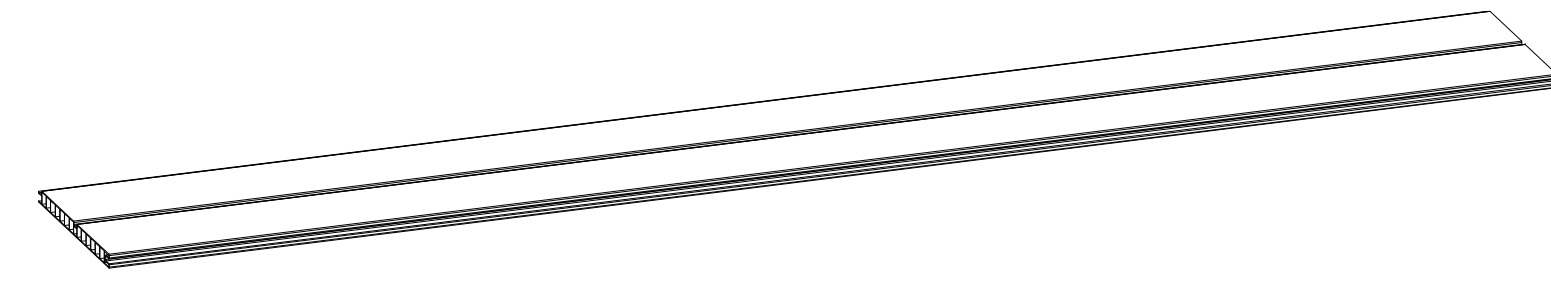


II

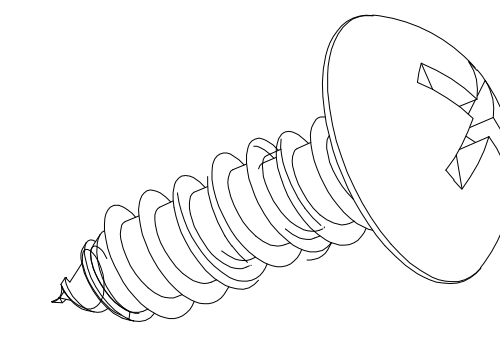




F35-C14 x3



F35-C13 x1

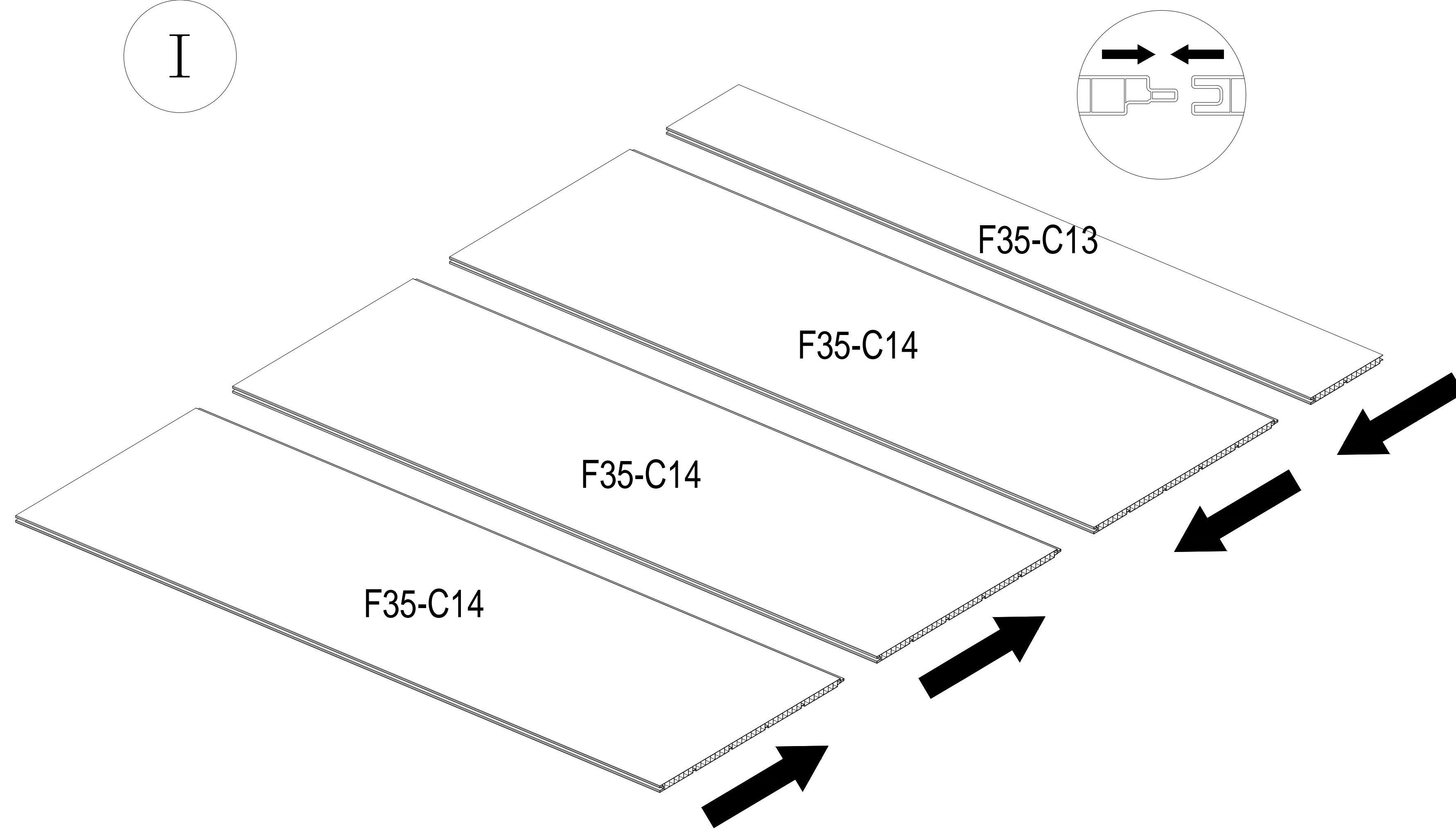


(ST4.2x12)
E02x6

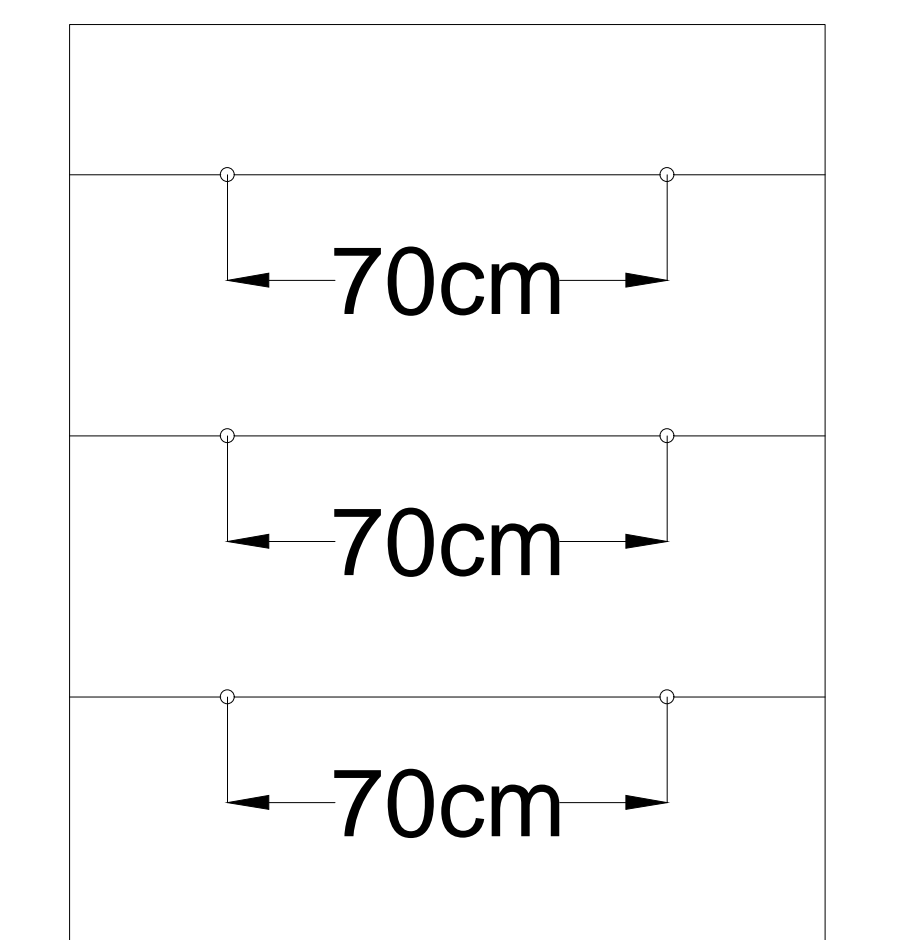
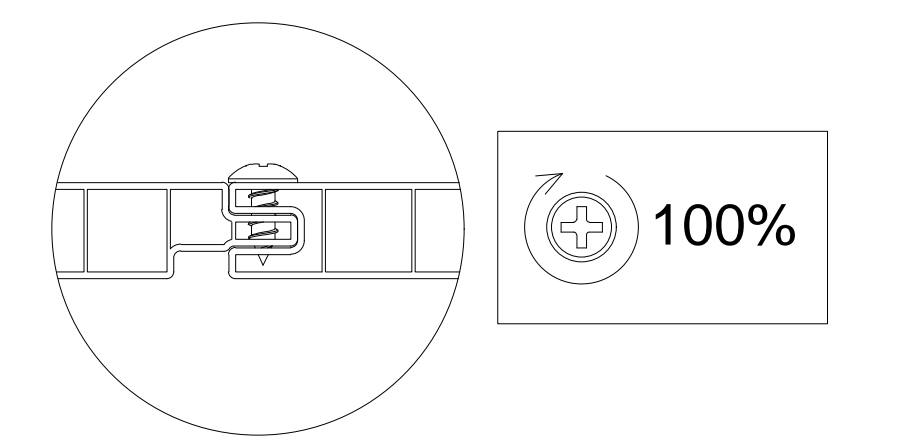
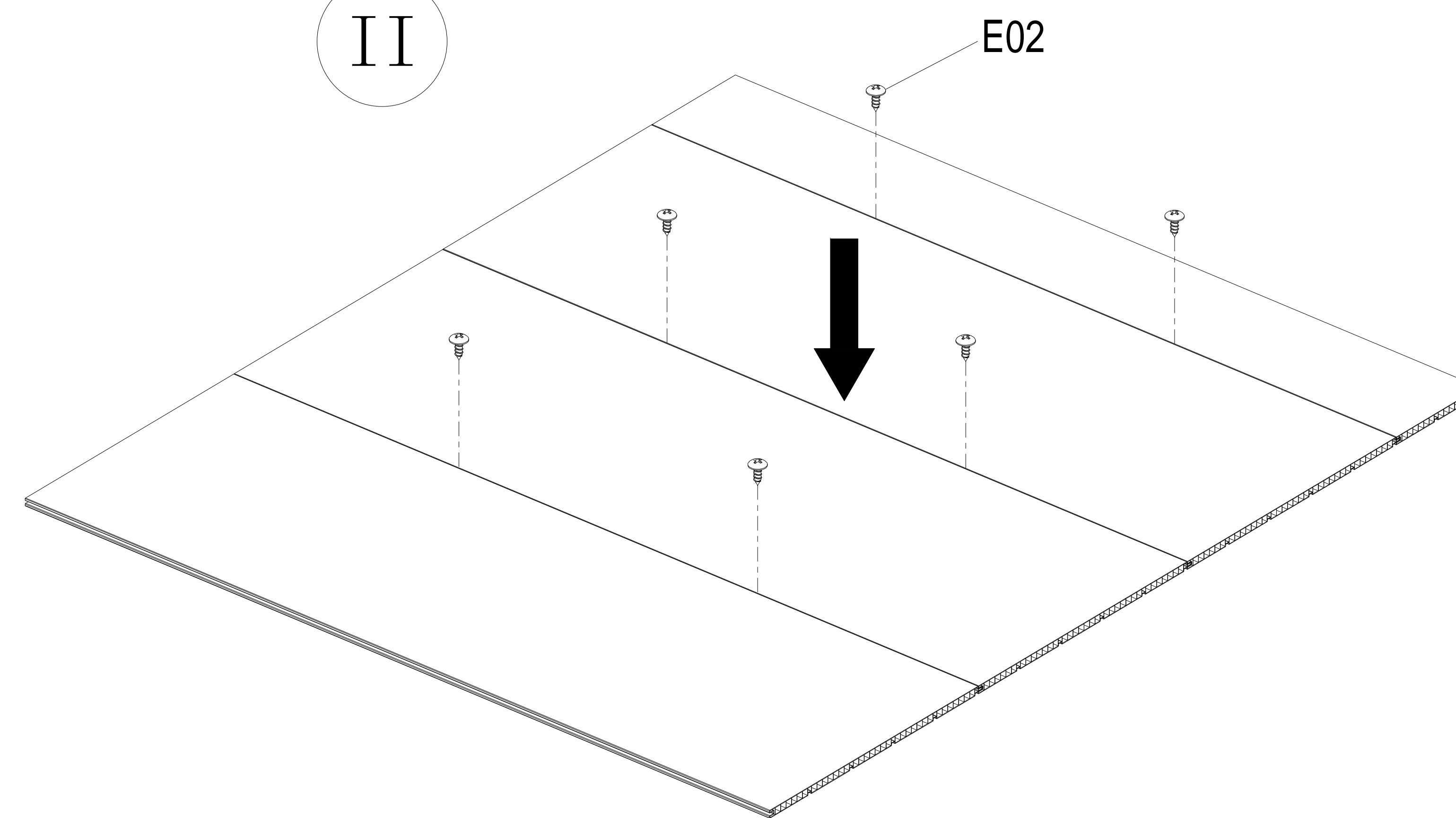
Pre-installed Back wall

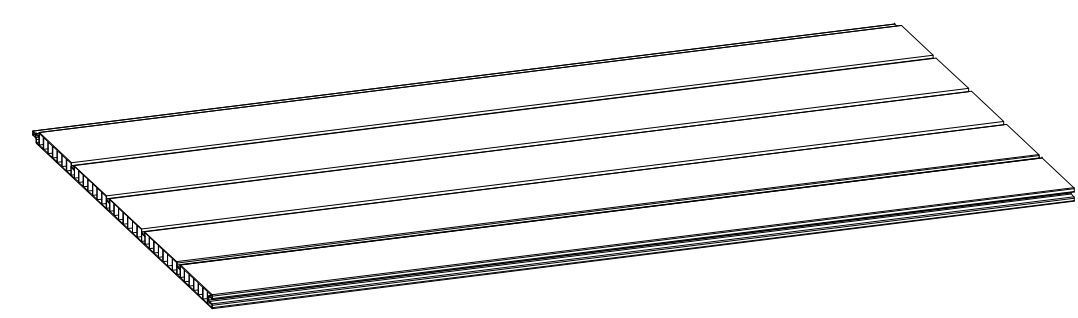
B

I

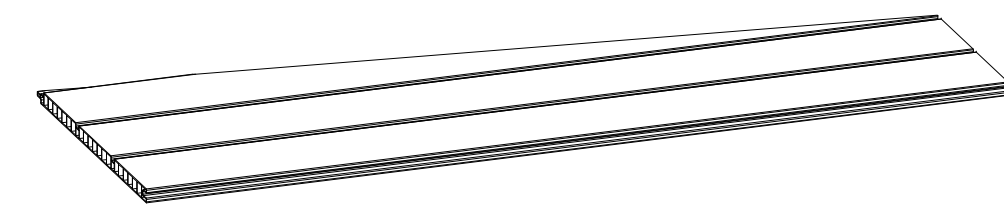


II

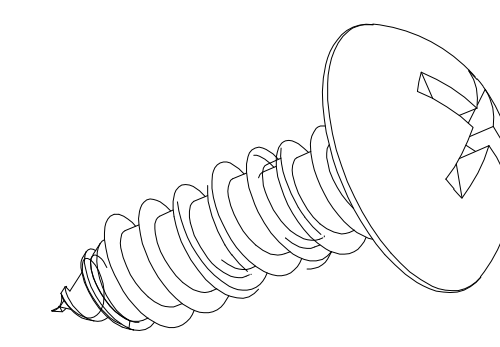




F35-C10 x3



F35-C12 x1

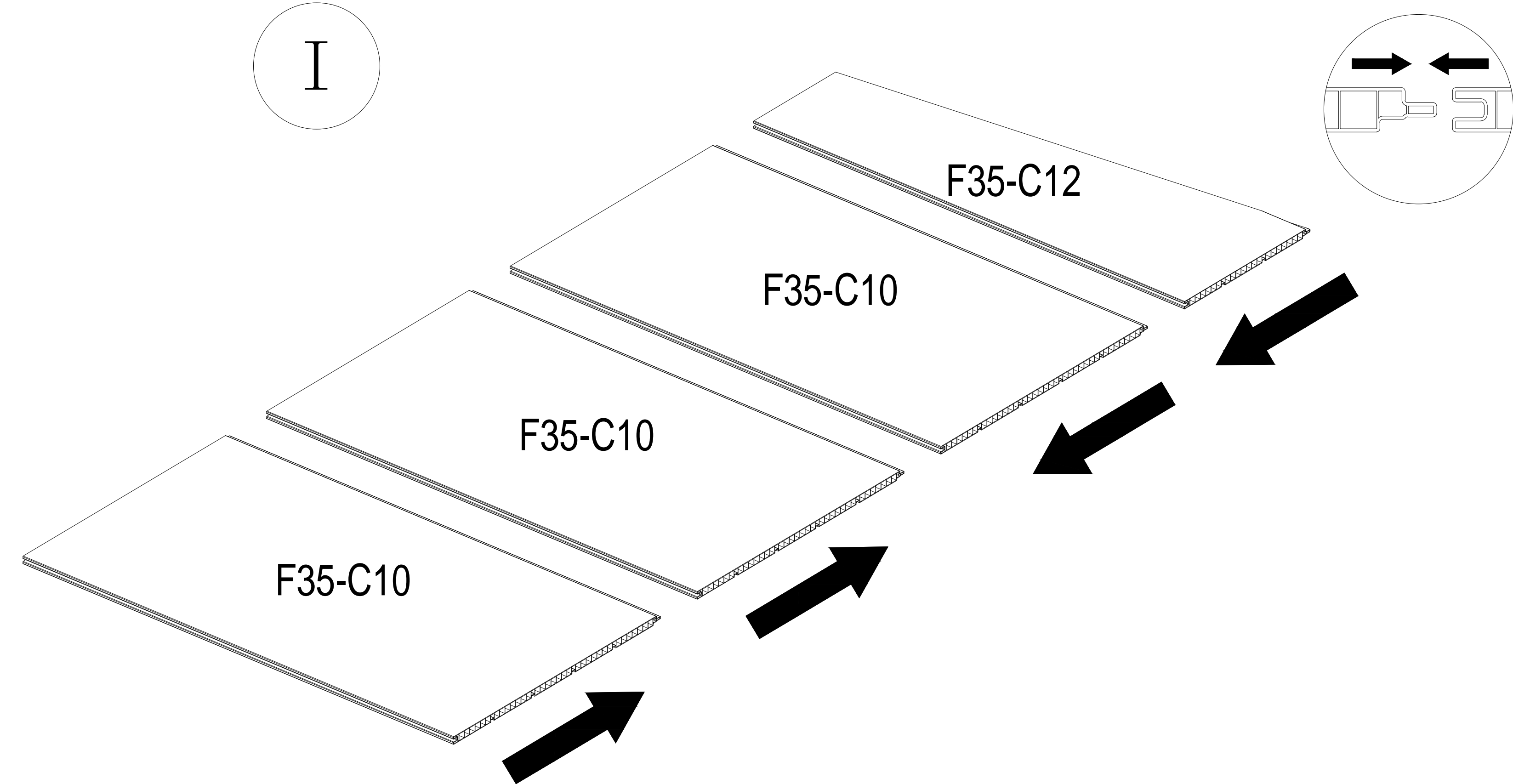


(ST4.2x12)
E02x6

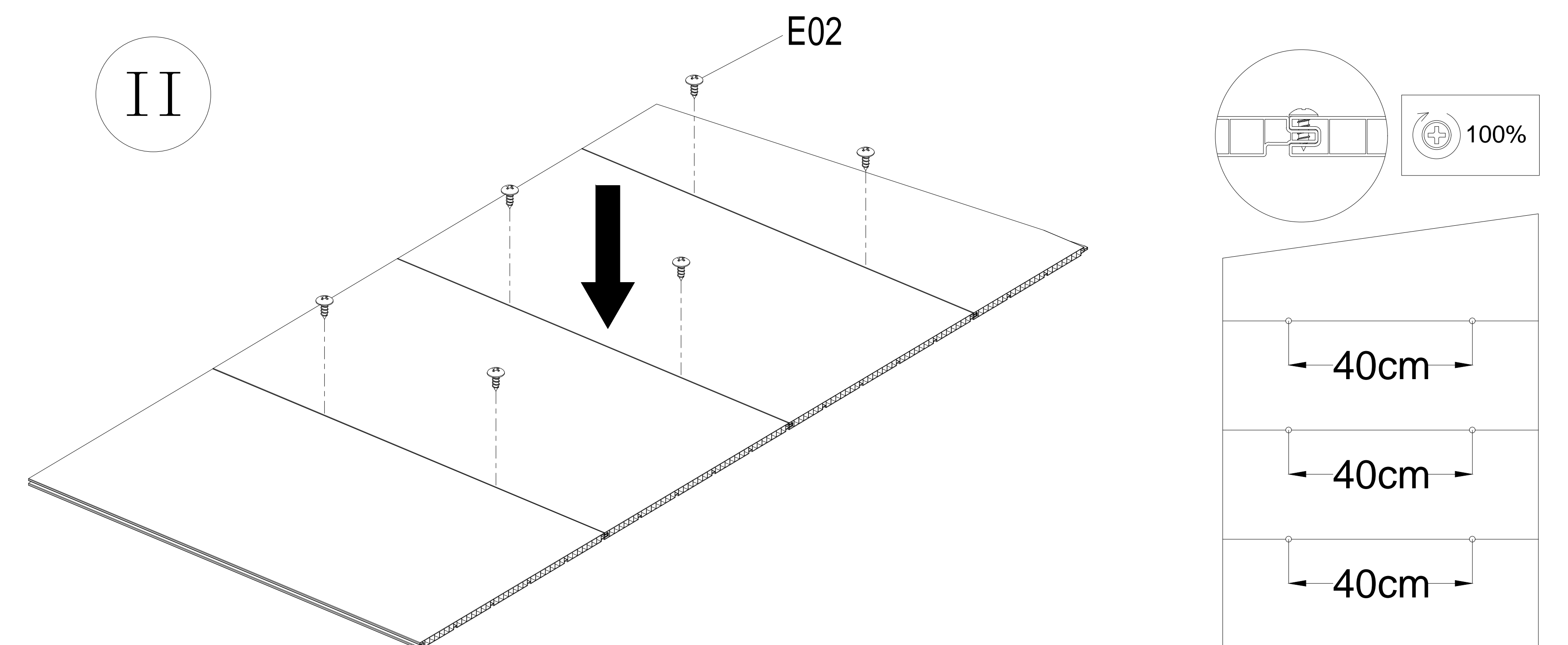
Pre-installed Side wall

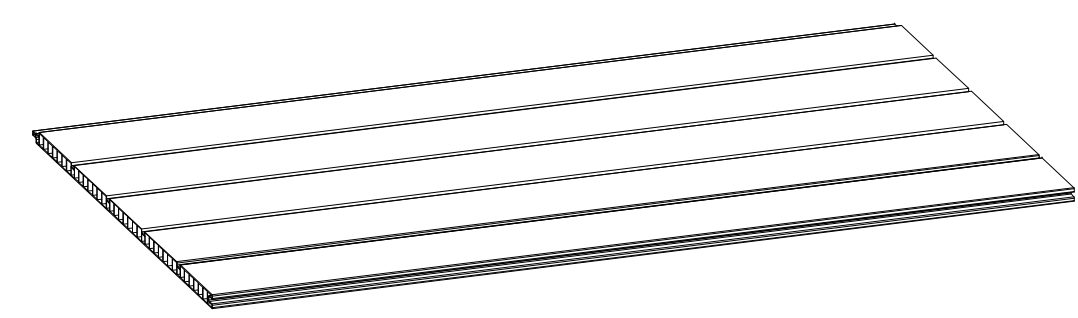
C-1

I

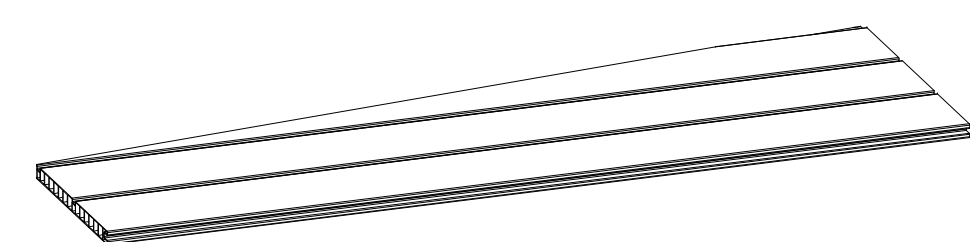


II

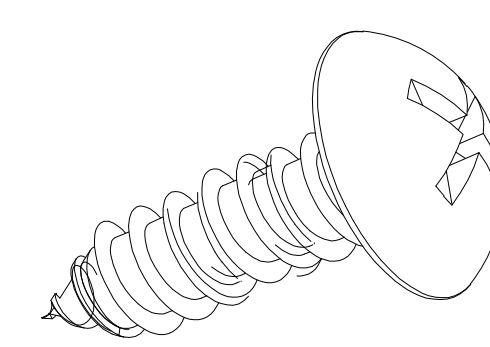




F35-C10 x3



F35-C11 x1

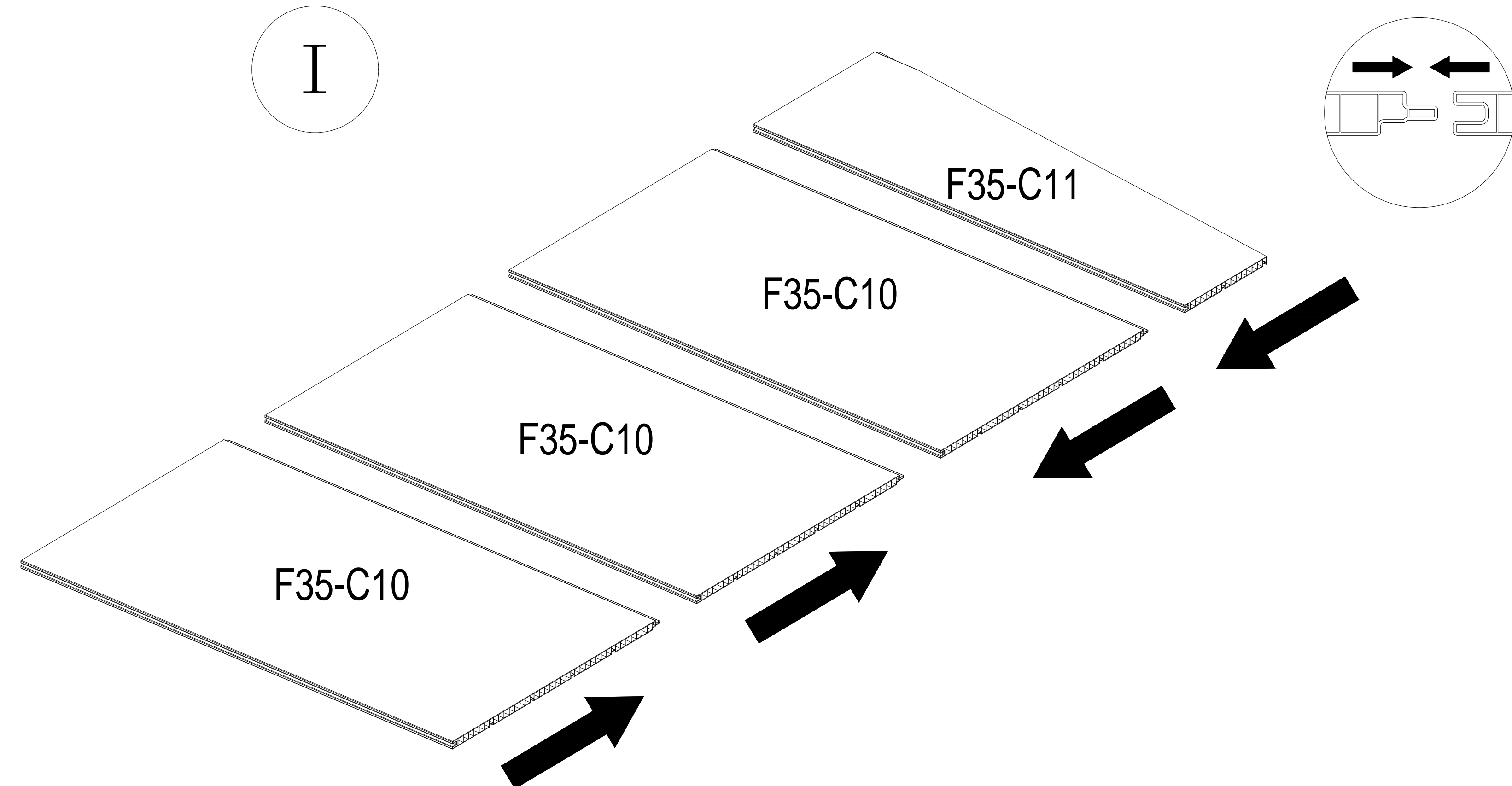


(ST4.2x12)
E02x6

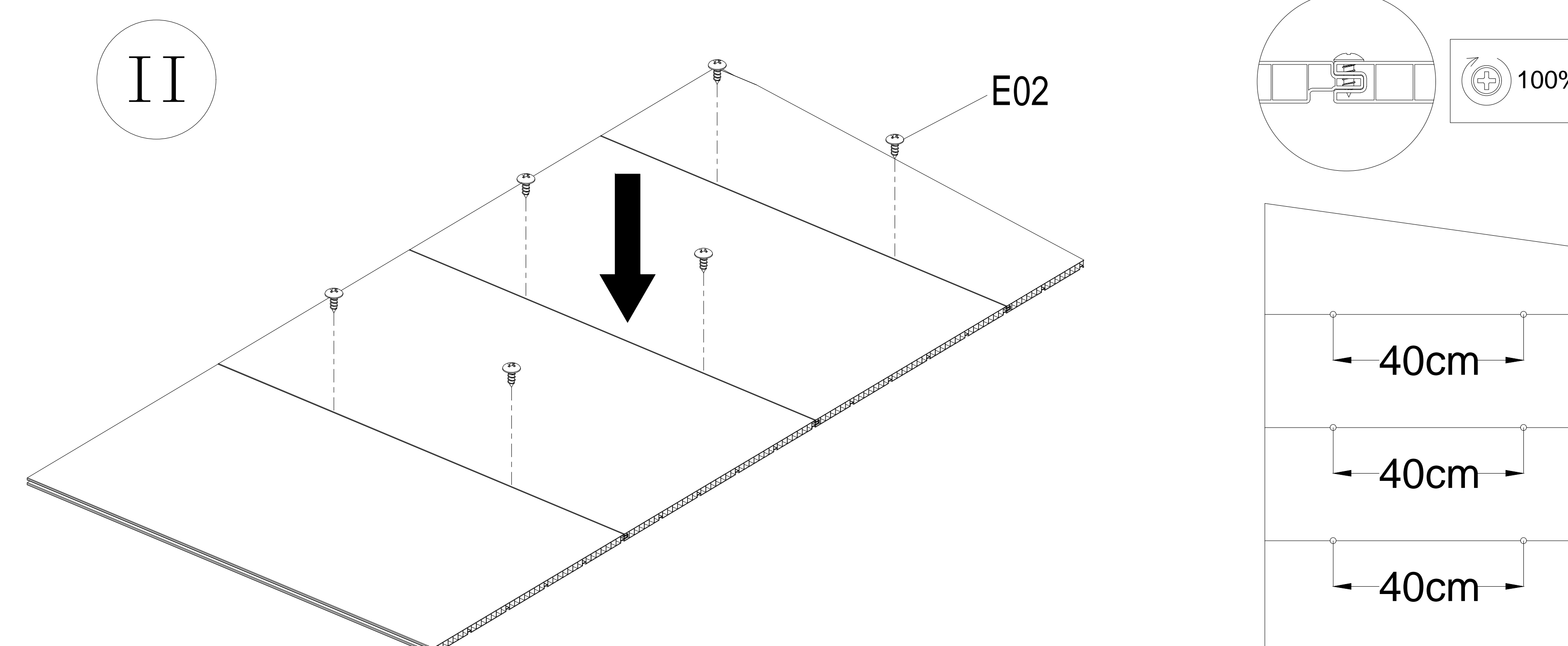
Pre-installed Side wall

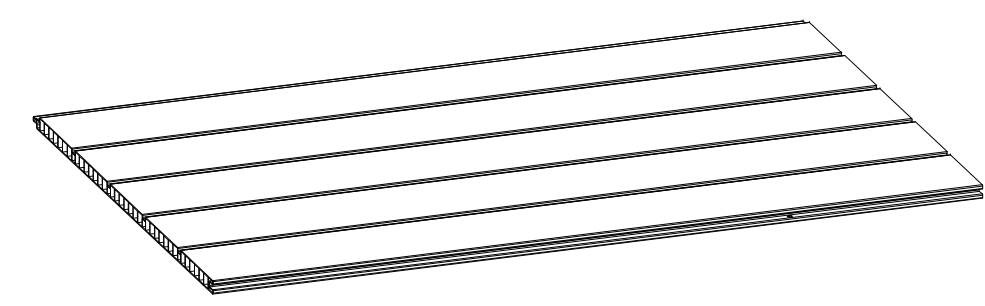
C-2

I

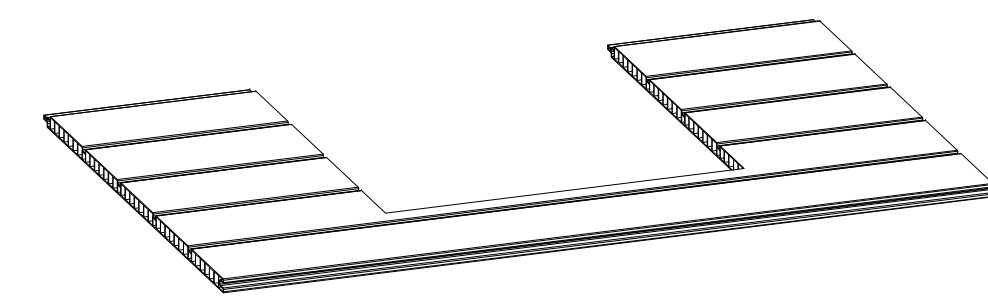


II

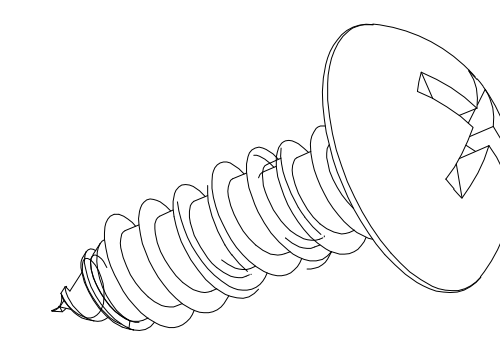




F35-C09 x2



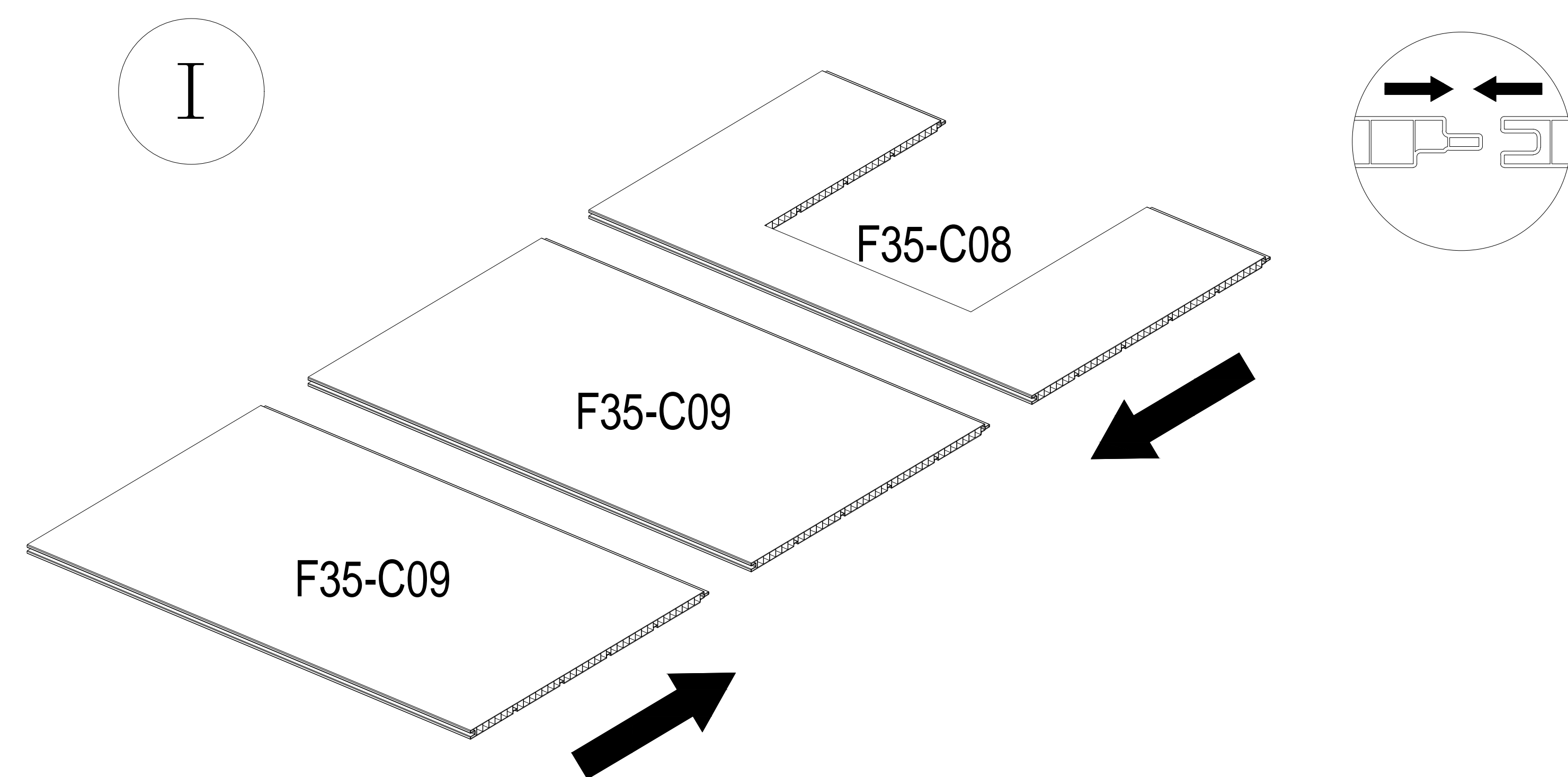
F35-C08 x1



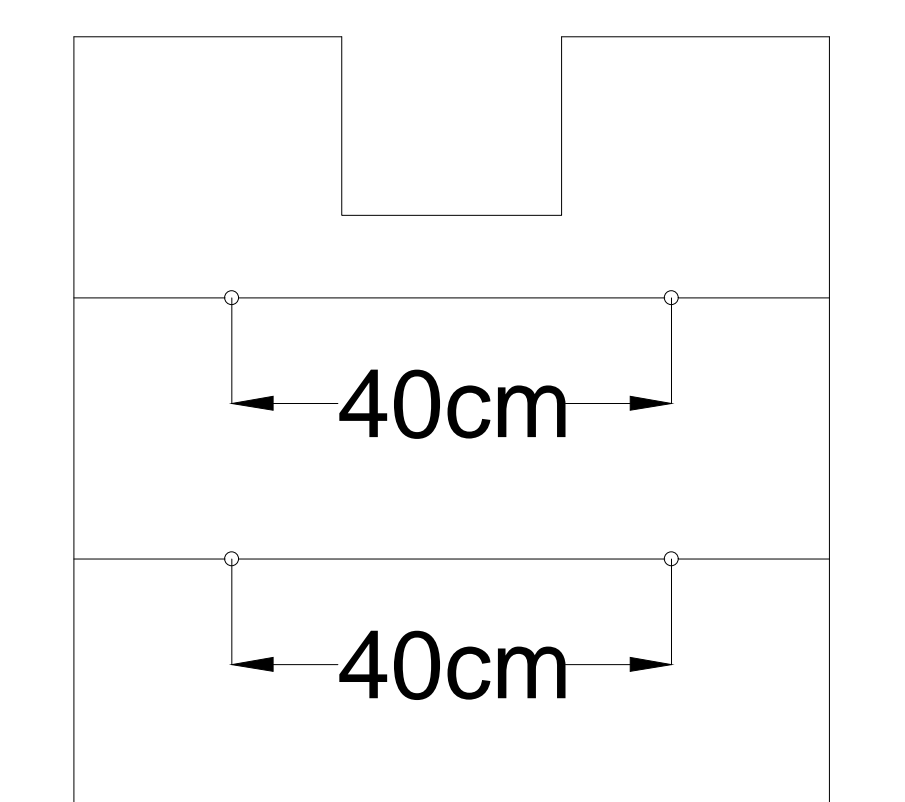
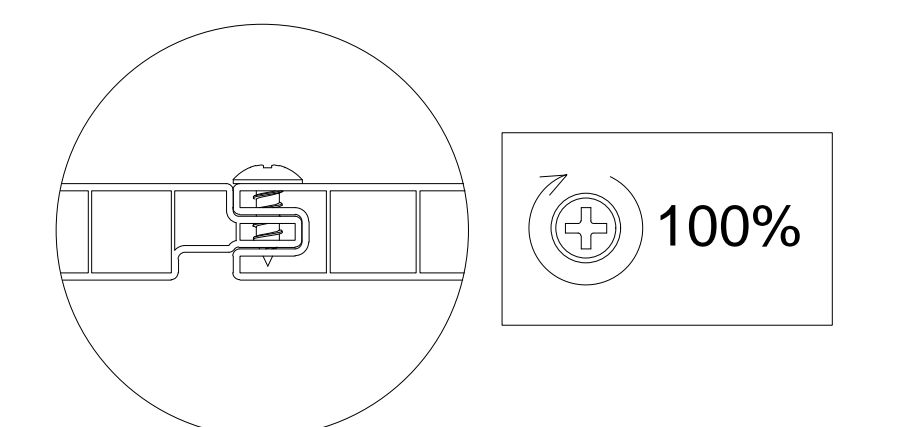
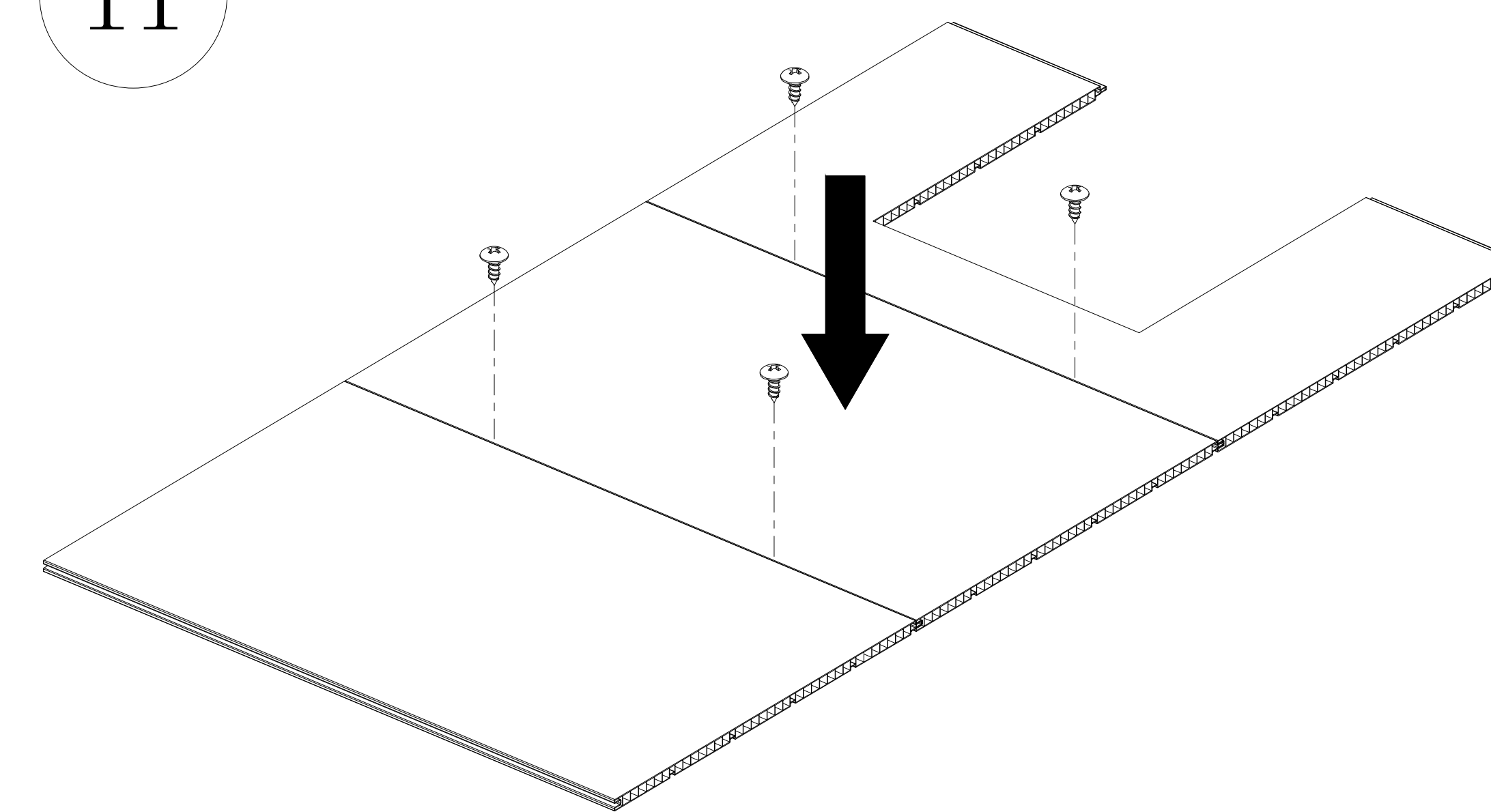
(ST4.2x12)
E02x4

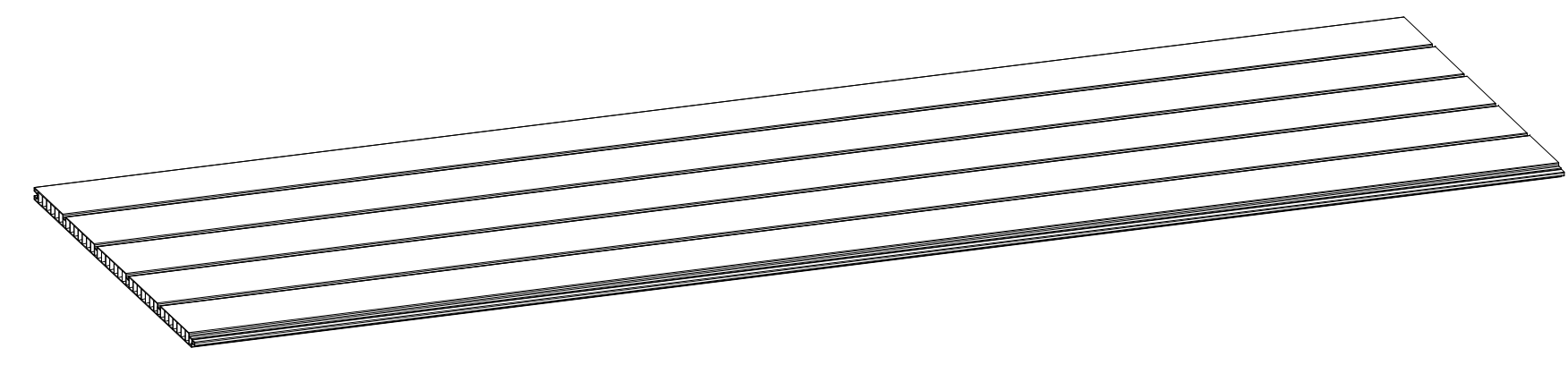
Pre-installed Front wall

D

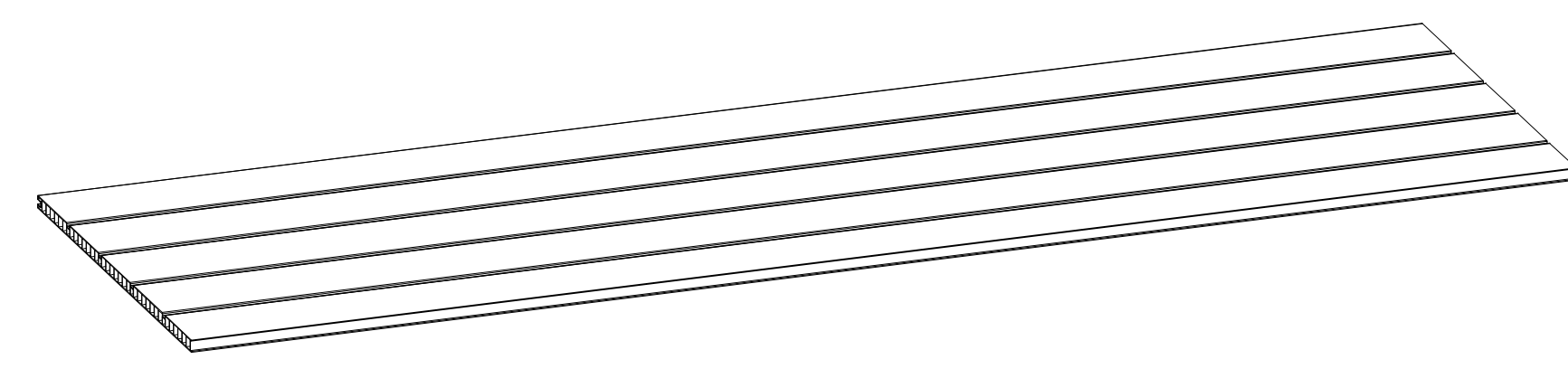


II

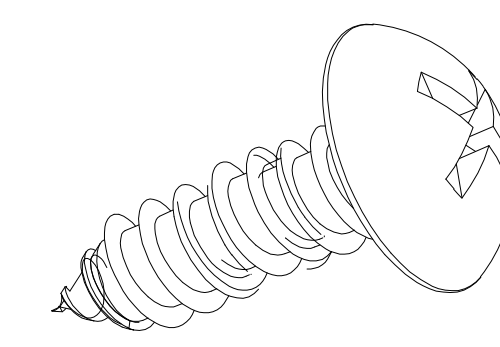




F35-C06 x1



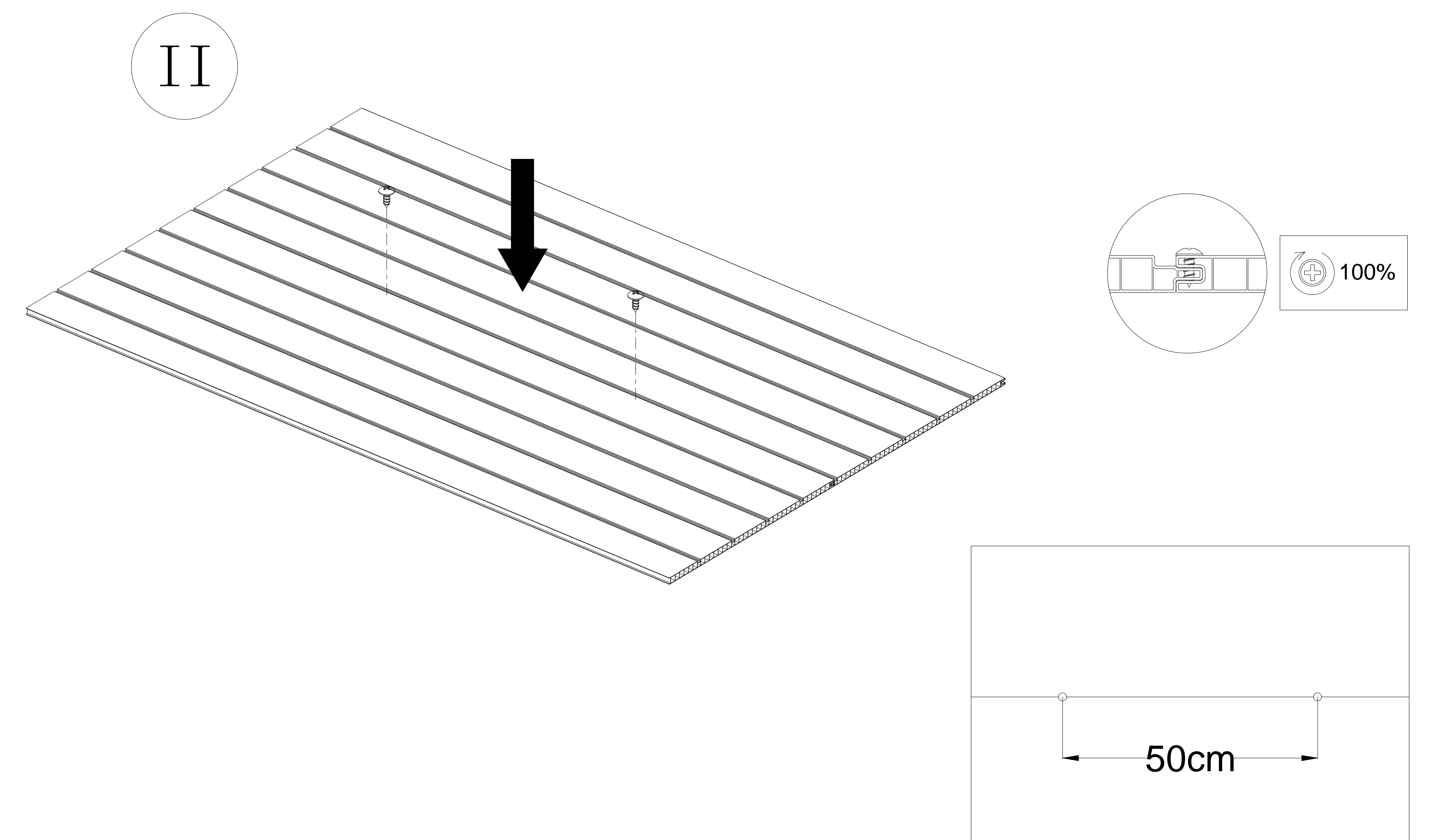
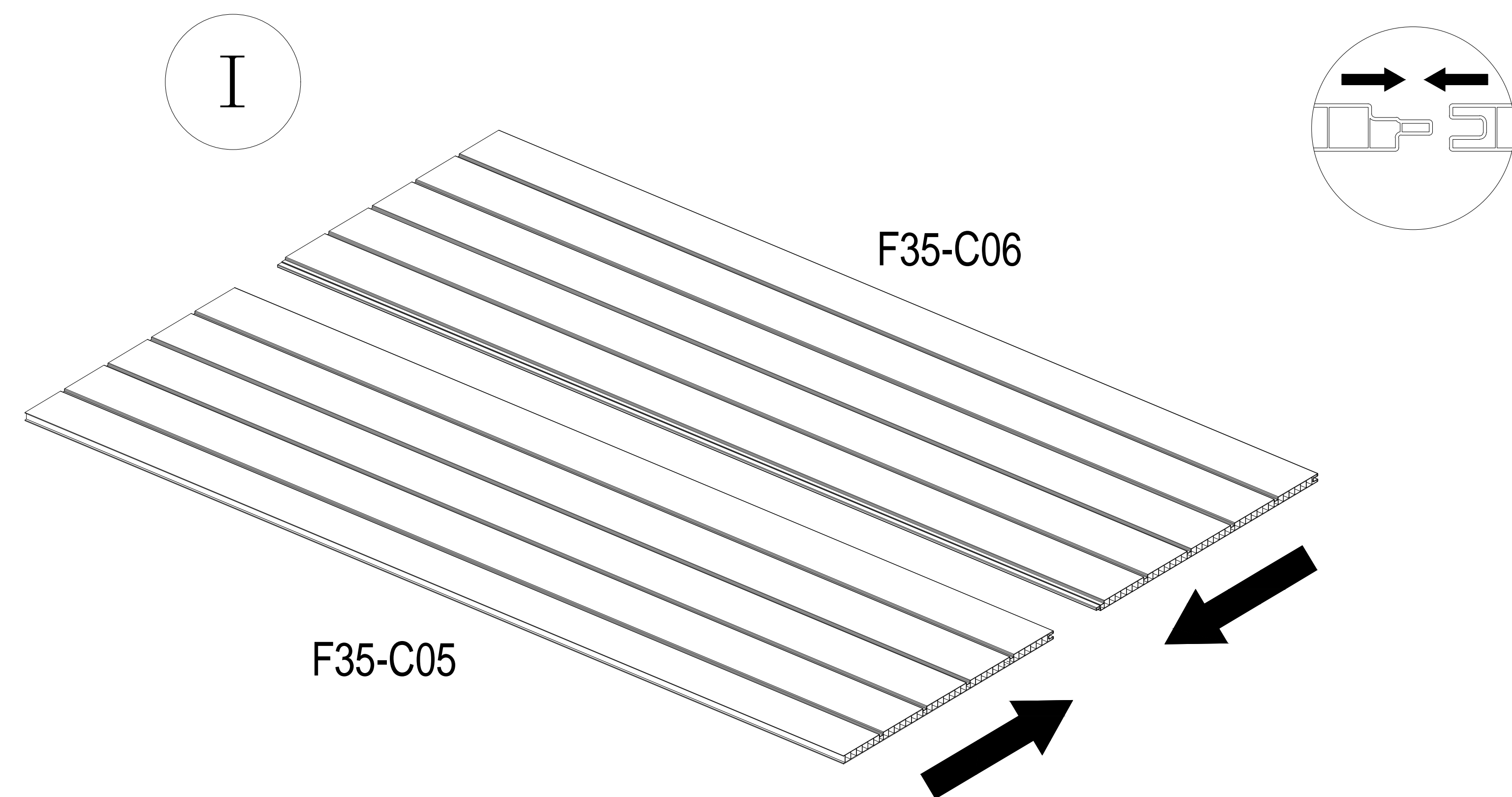
F35-C05 x1

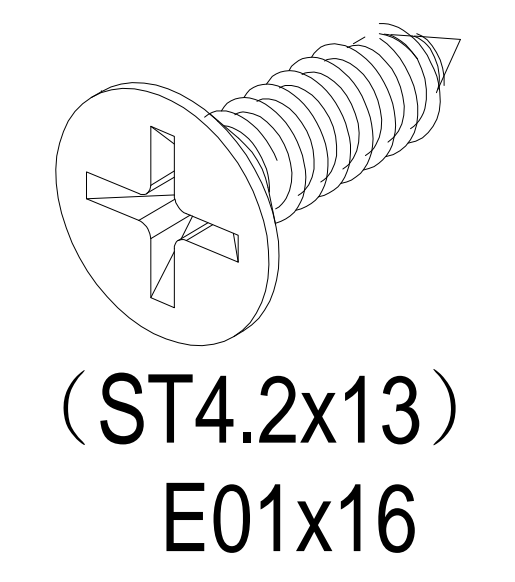
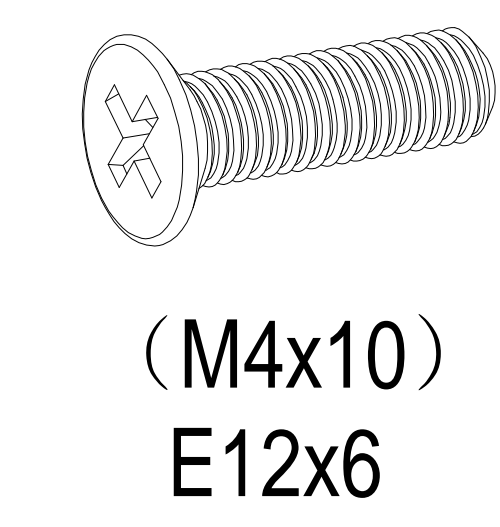
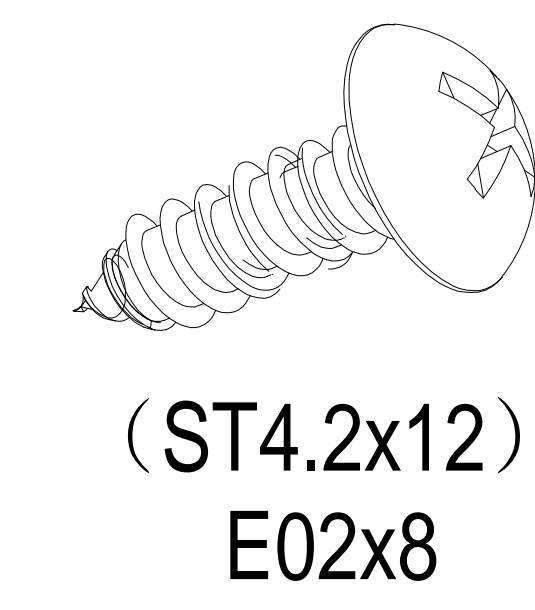
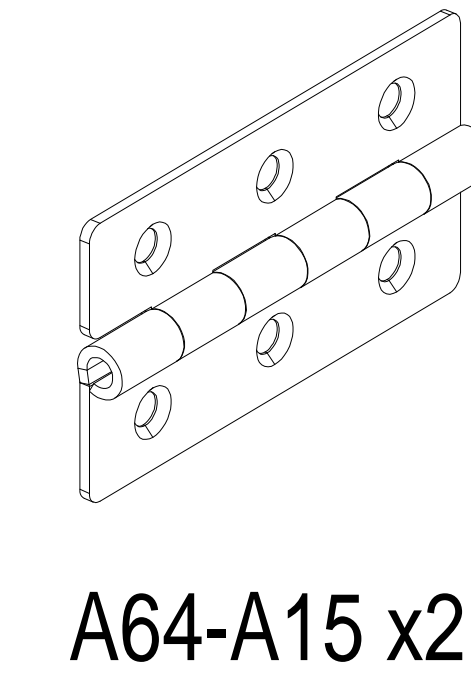
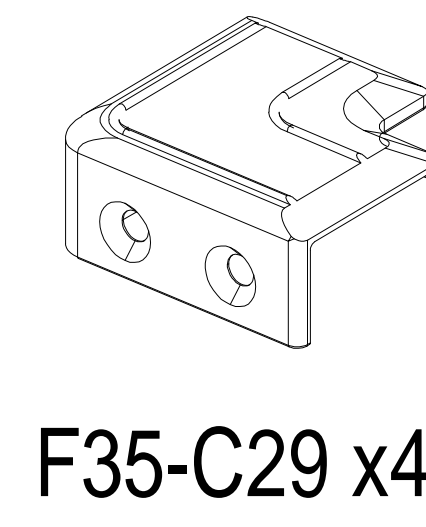
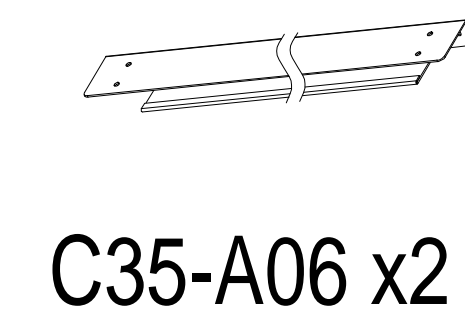
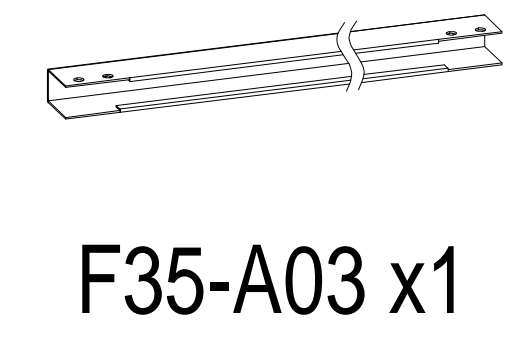
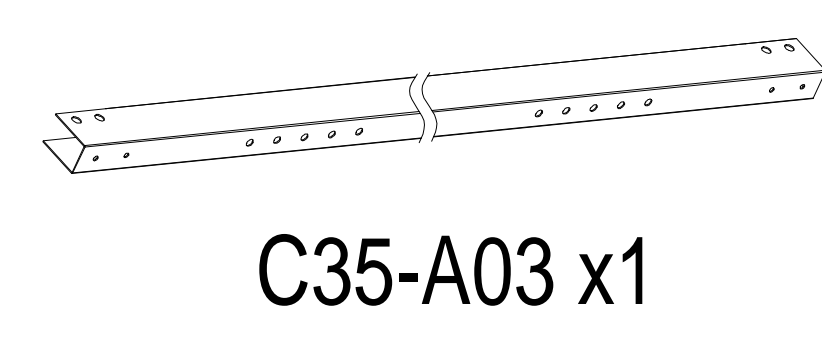
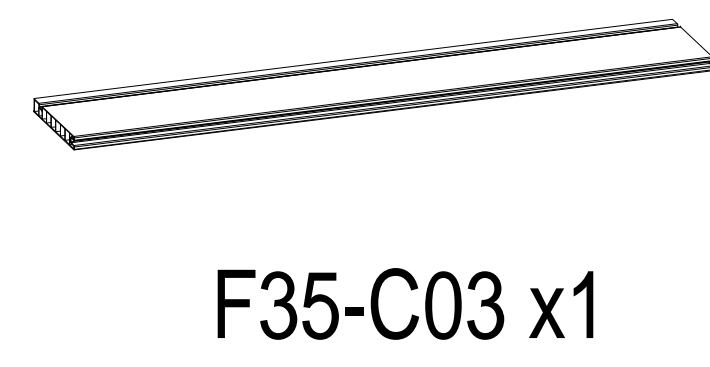
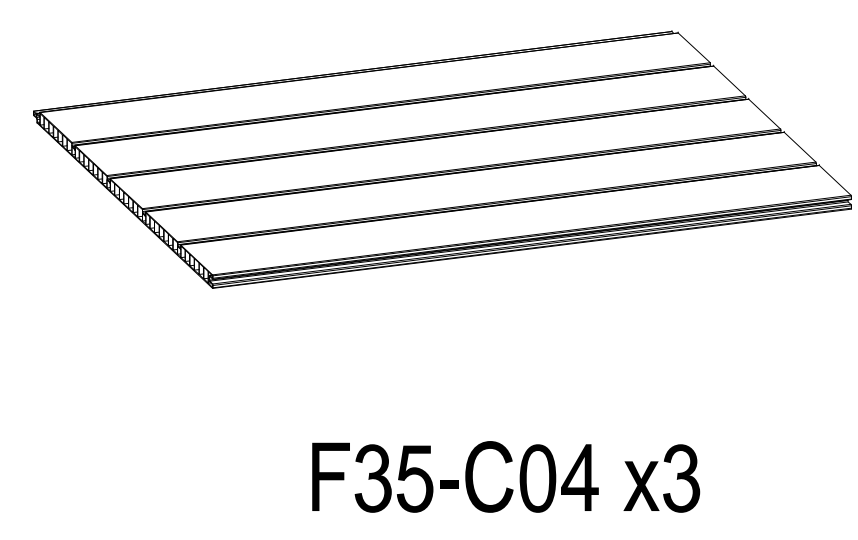


(ST4.2x12)
E02x2

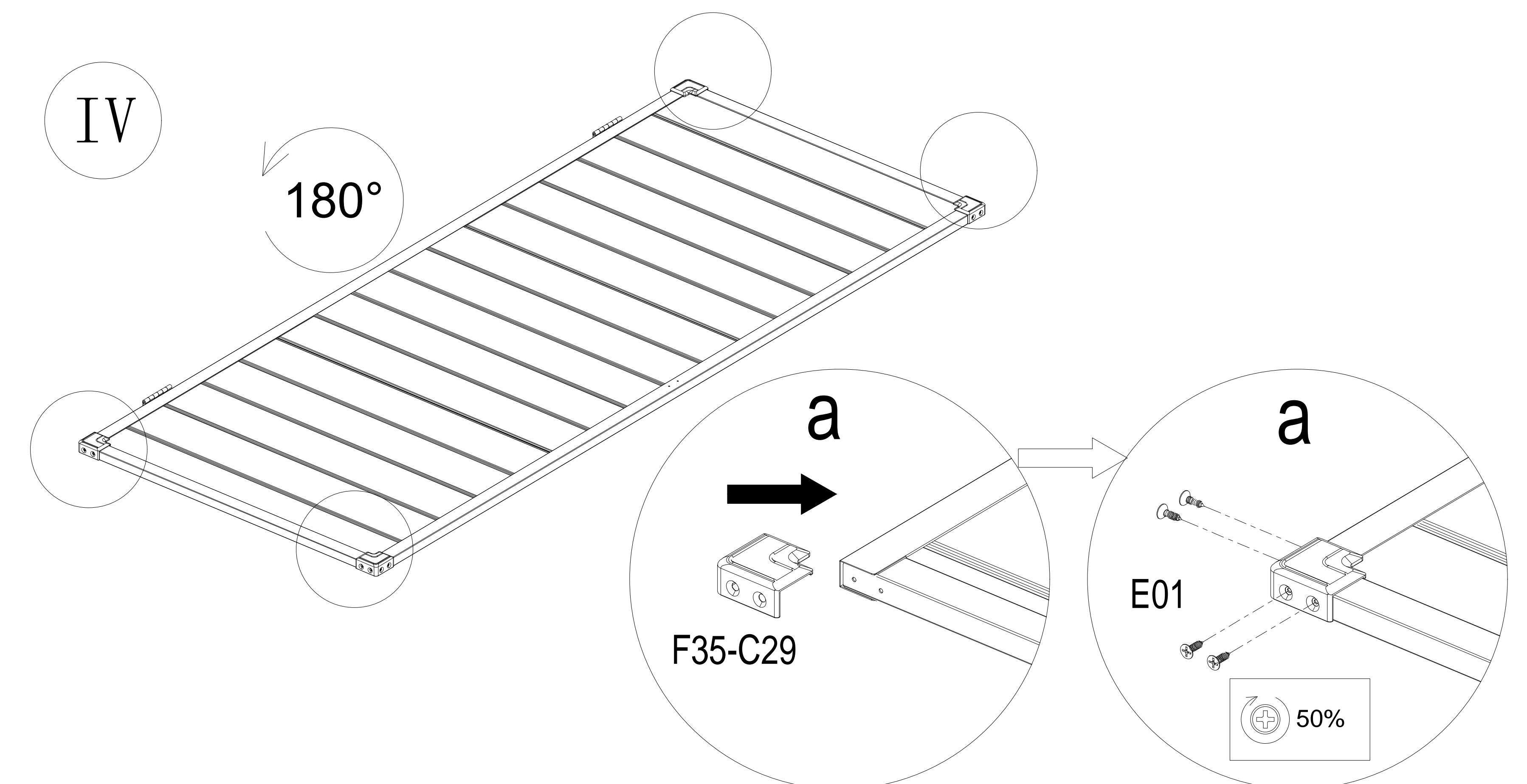
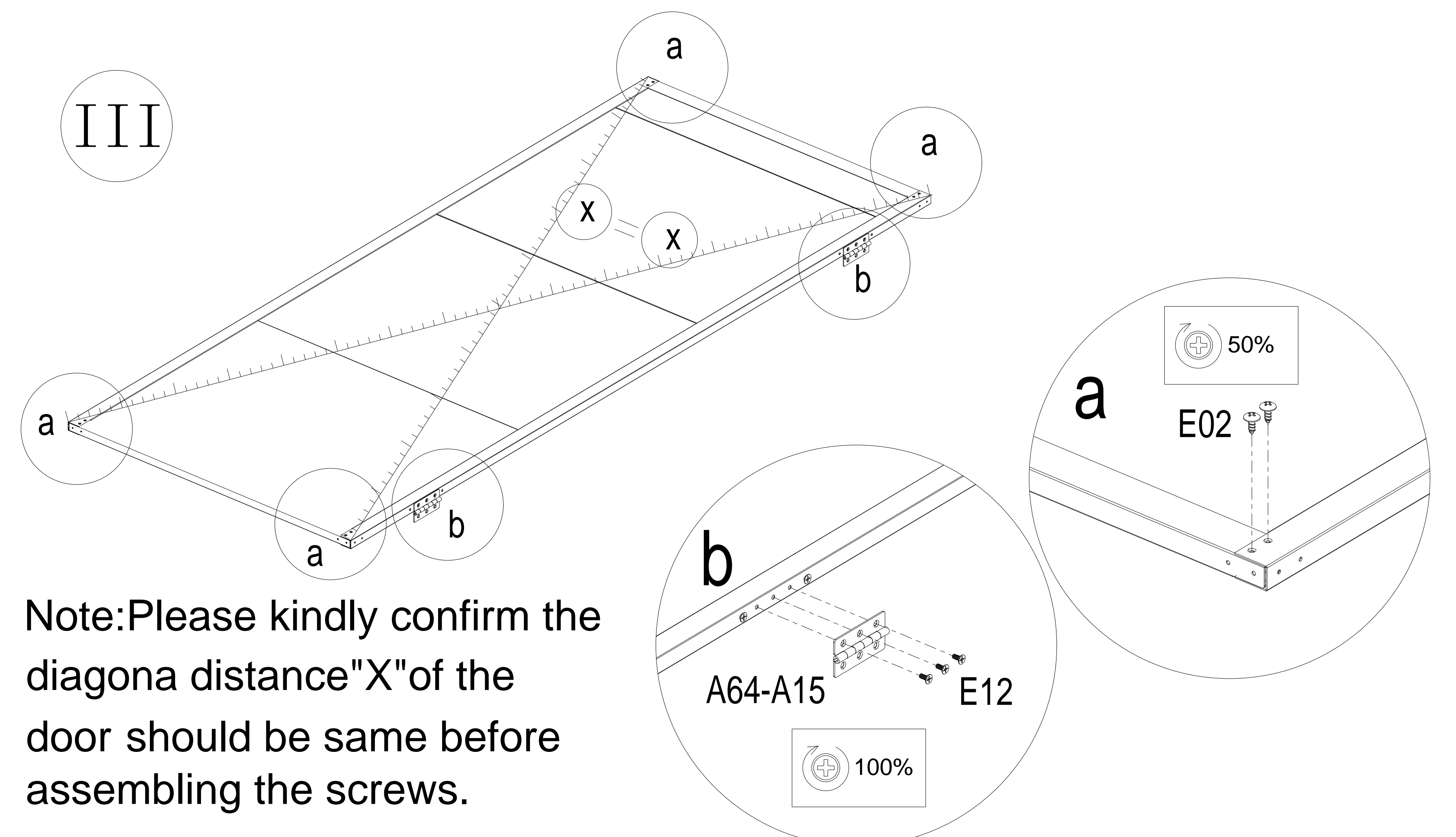
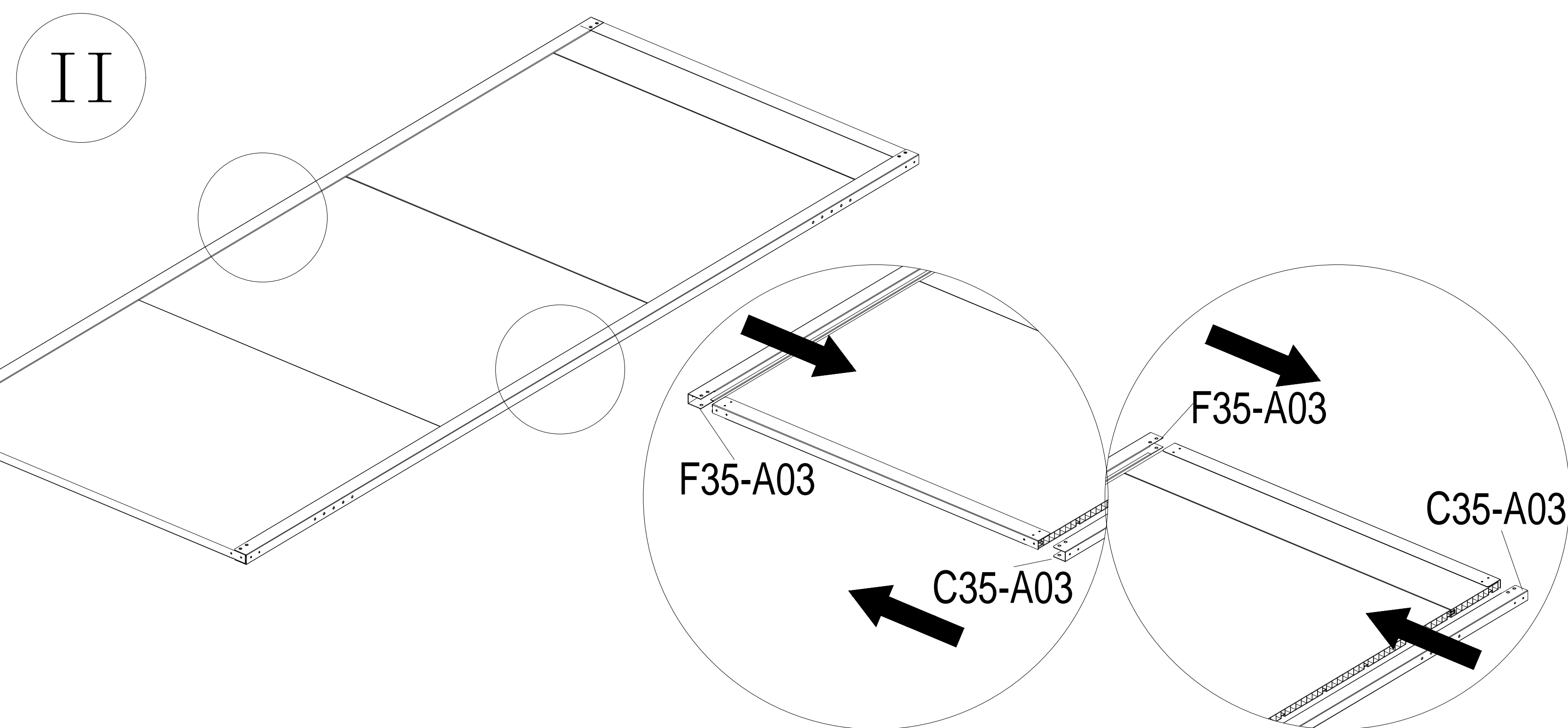
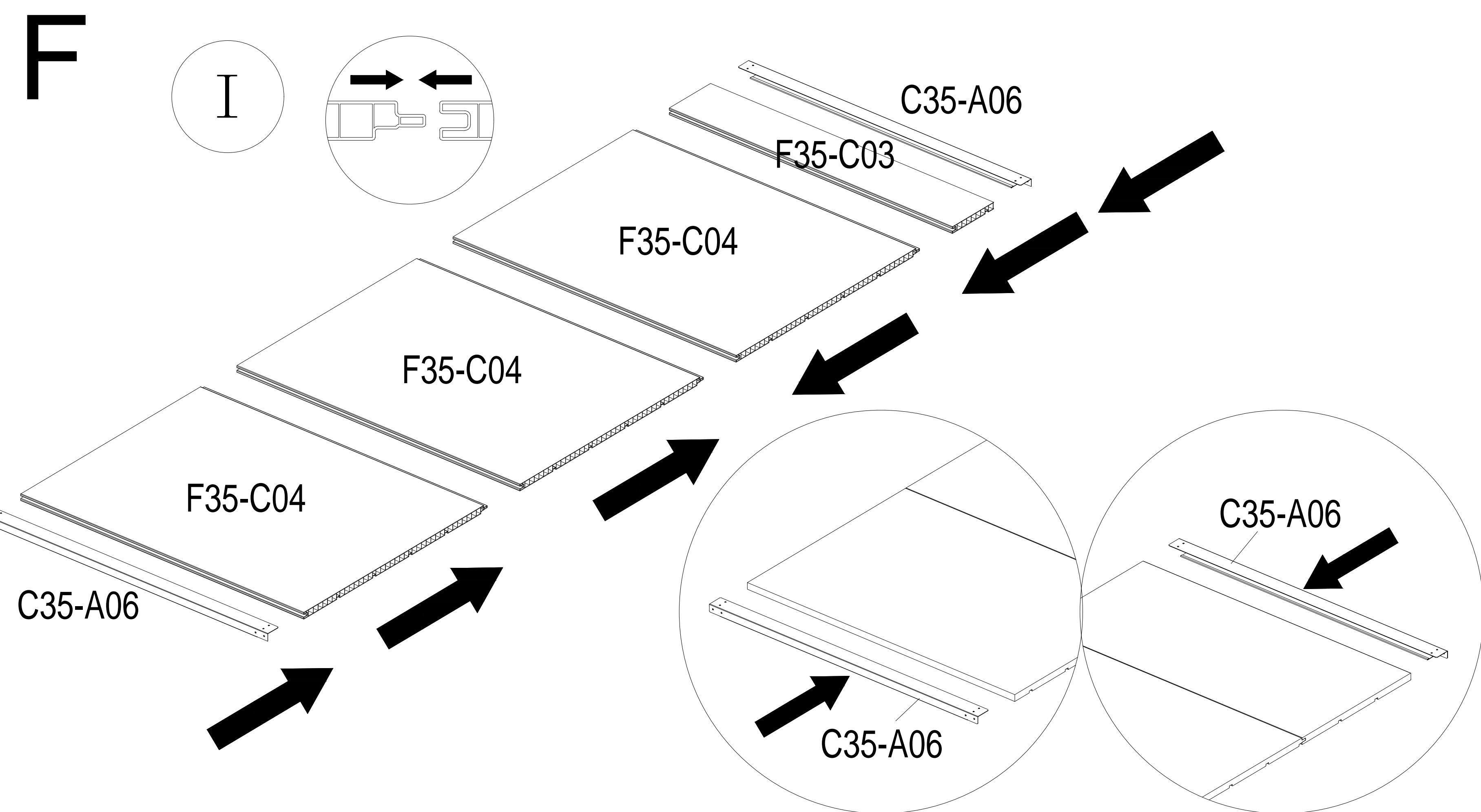
Pre-installed Roof

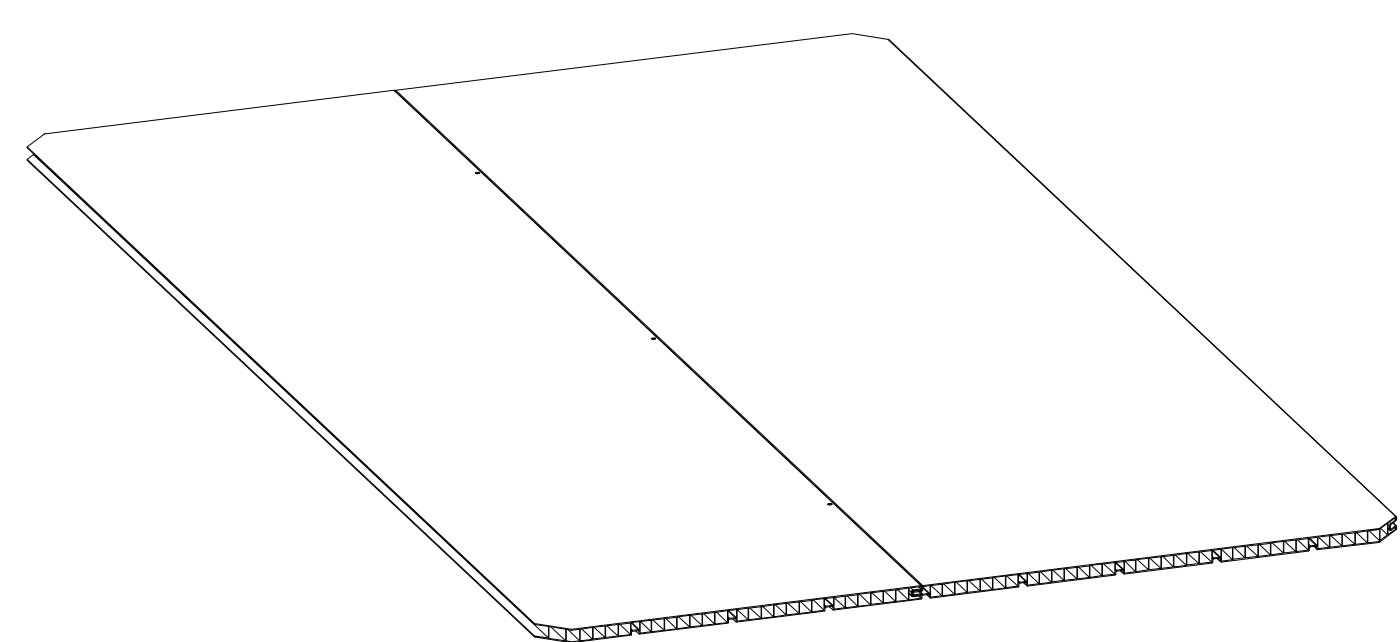
E



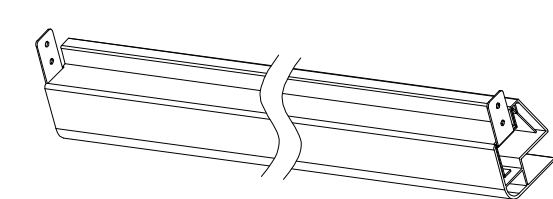


Pre-installed Door

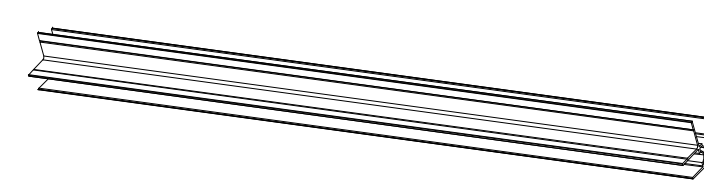




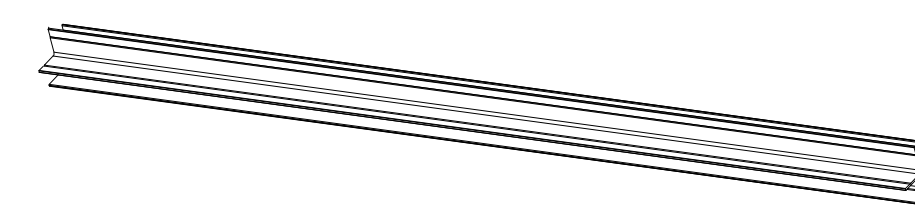
A



F35-C24 x1

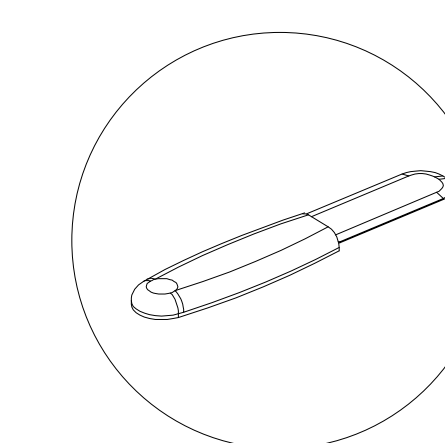
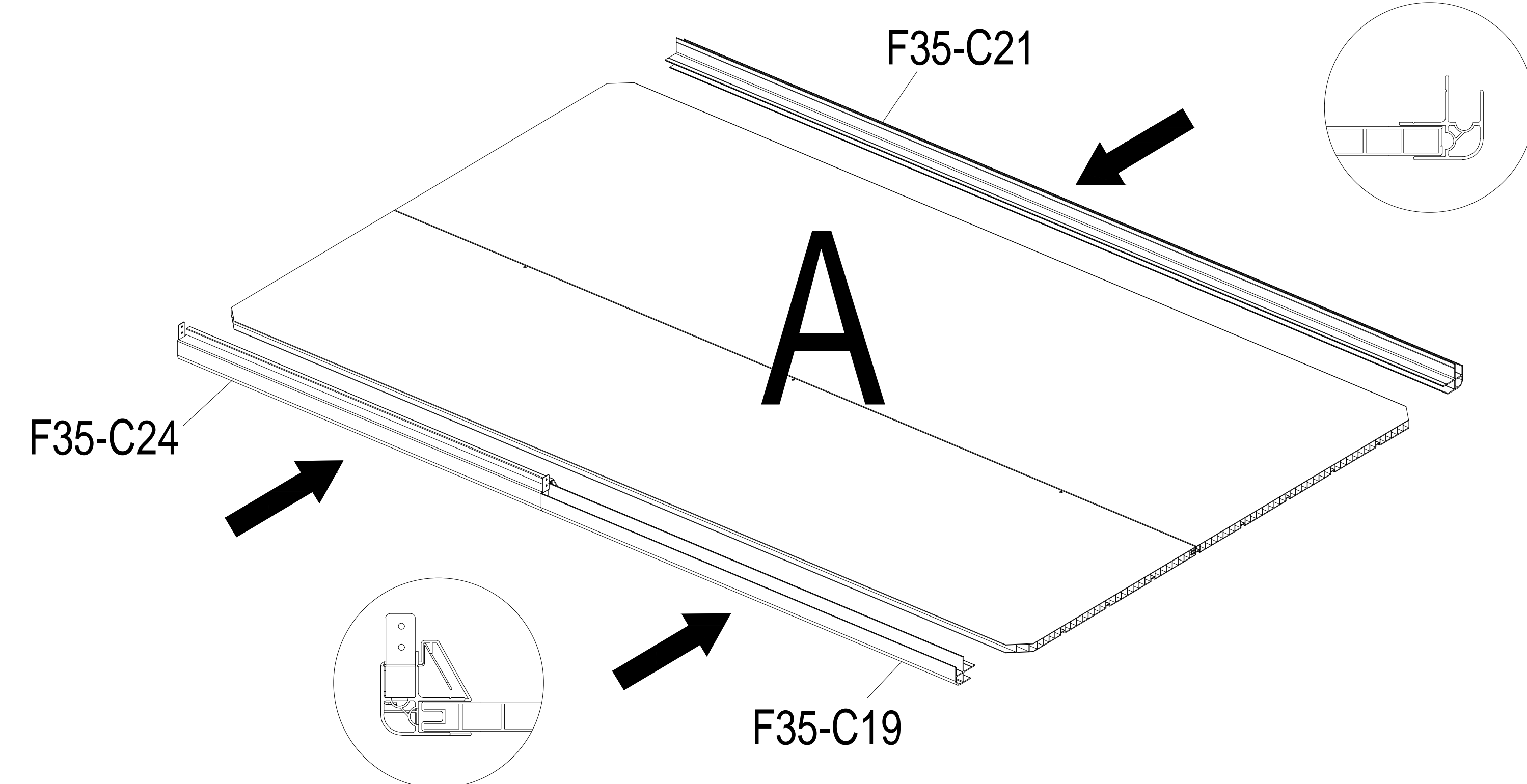


F35-C19 x1



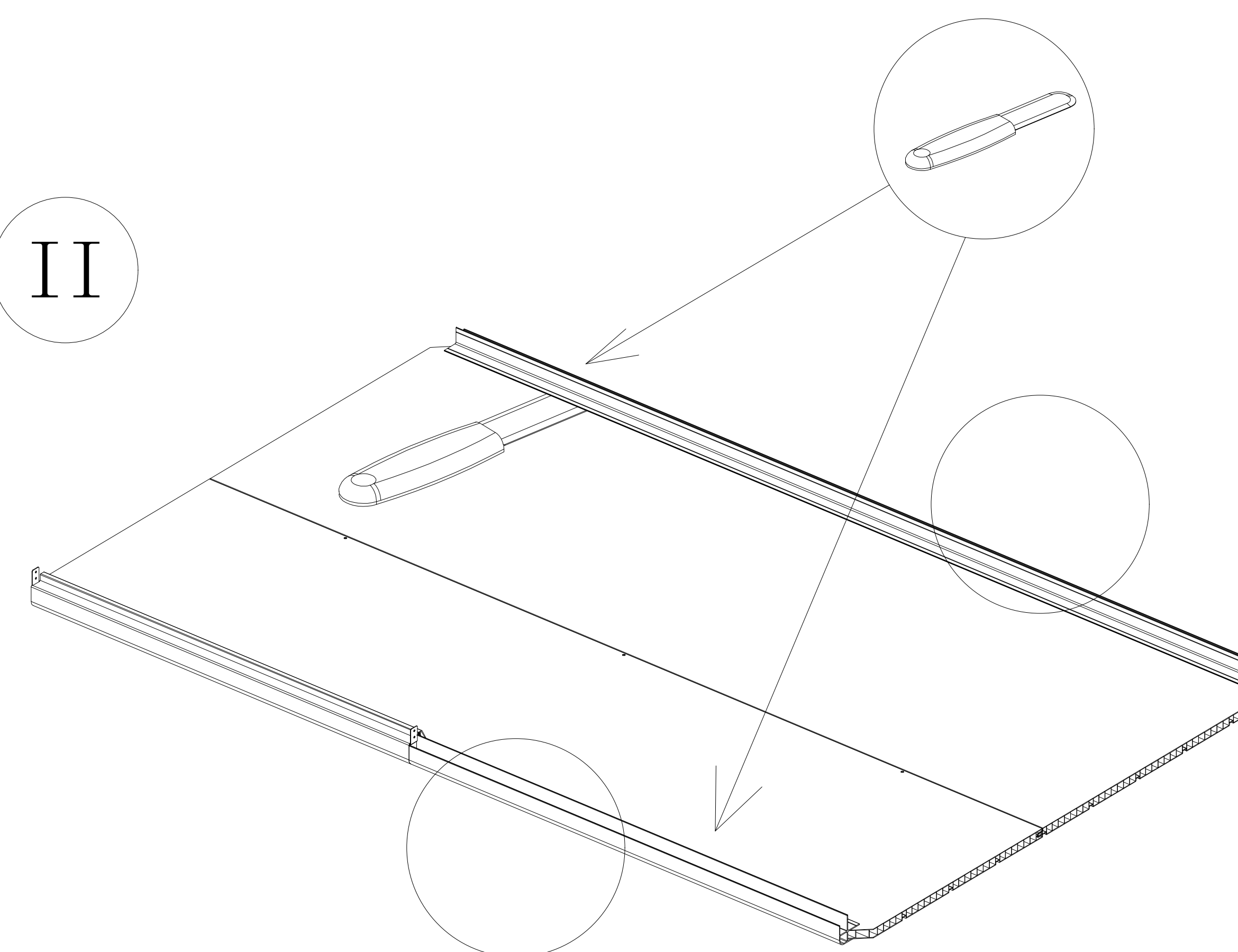
F35-C21 x1

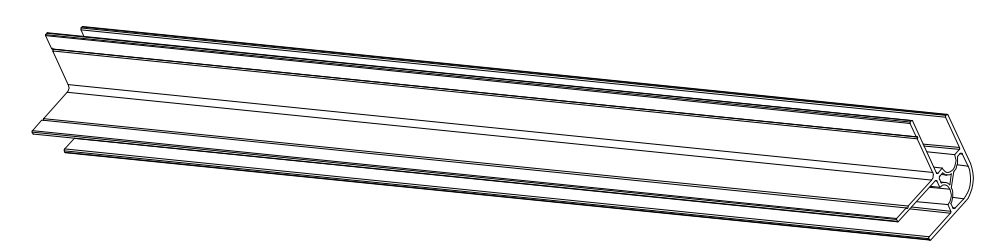
I



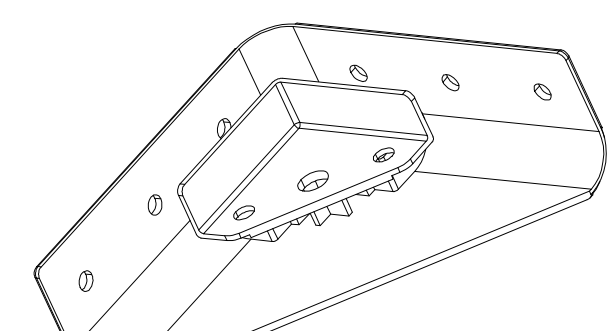
Please use rubber-knife to helping assembly.

II

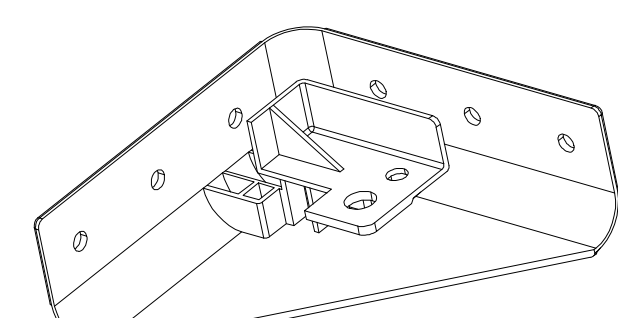




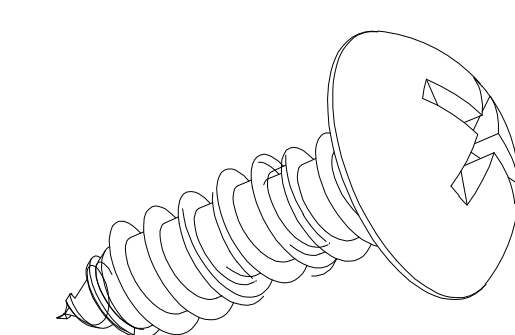
F35-C20 x2



F35-C27 x3

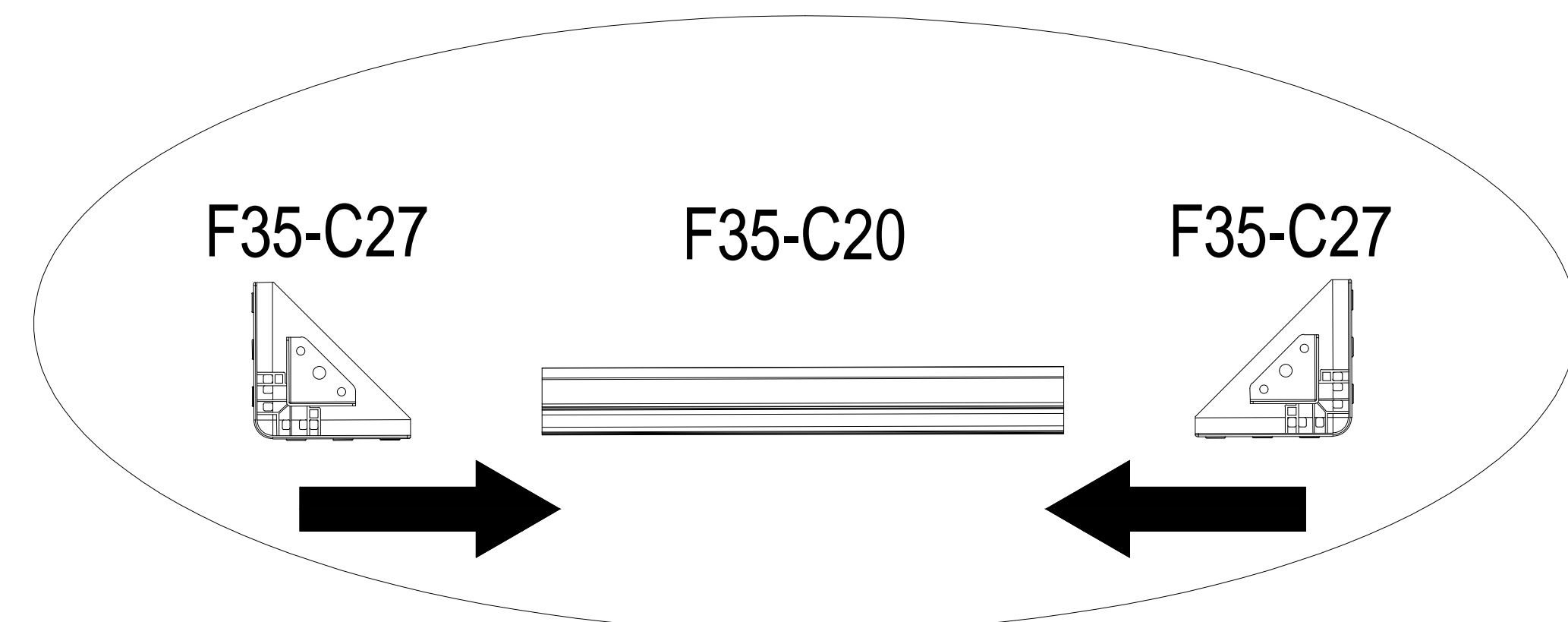
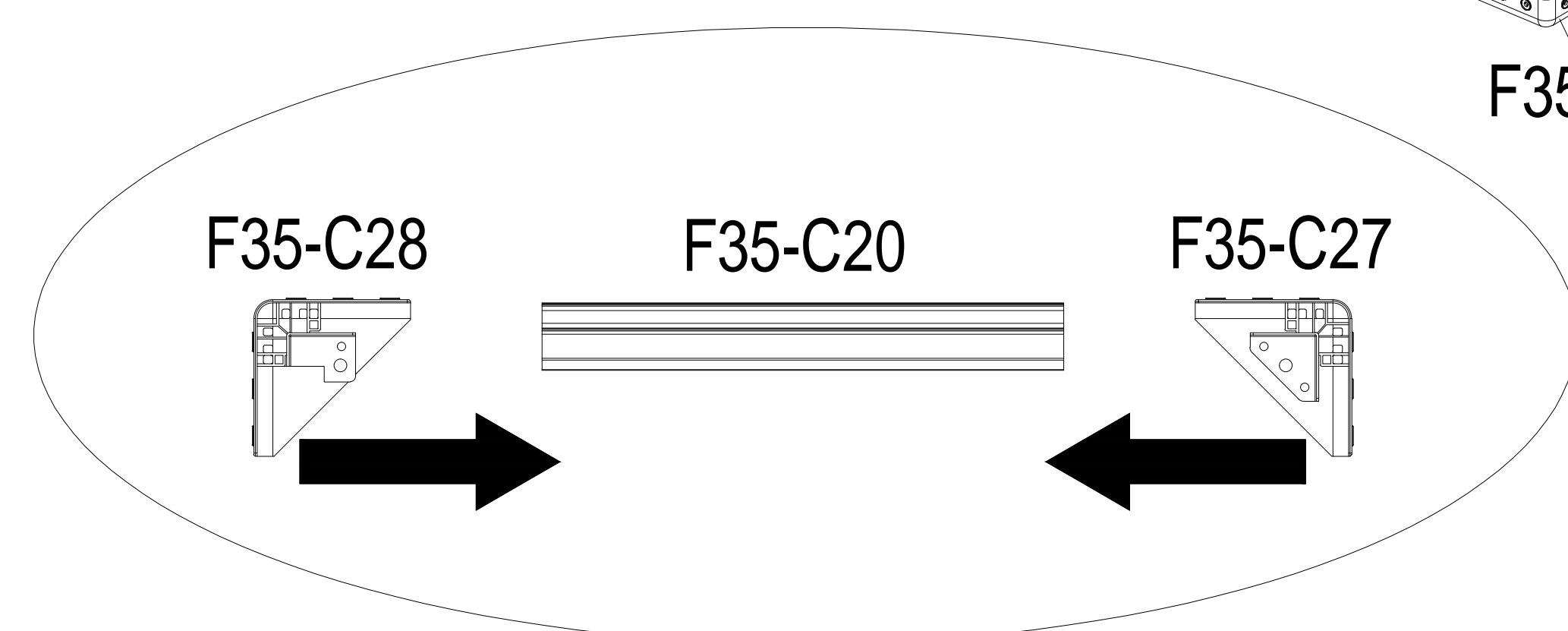
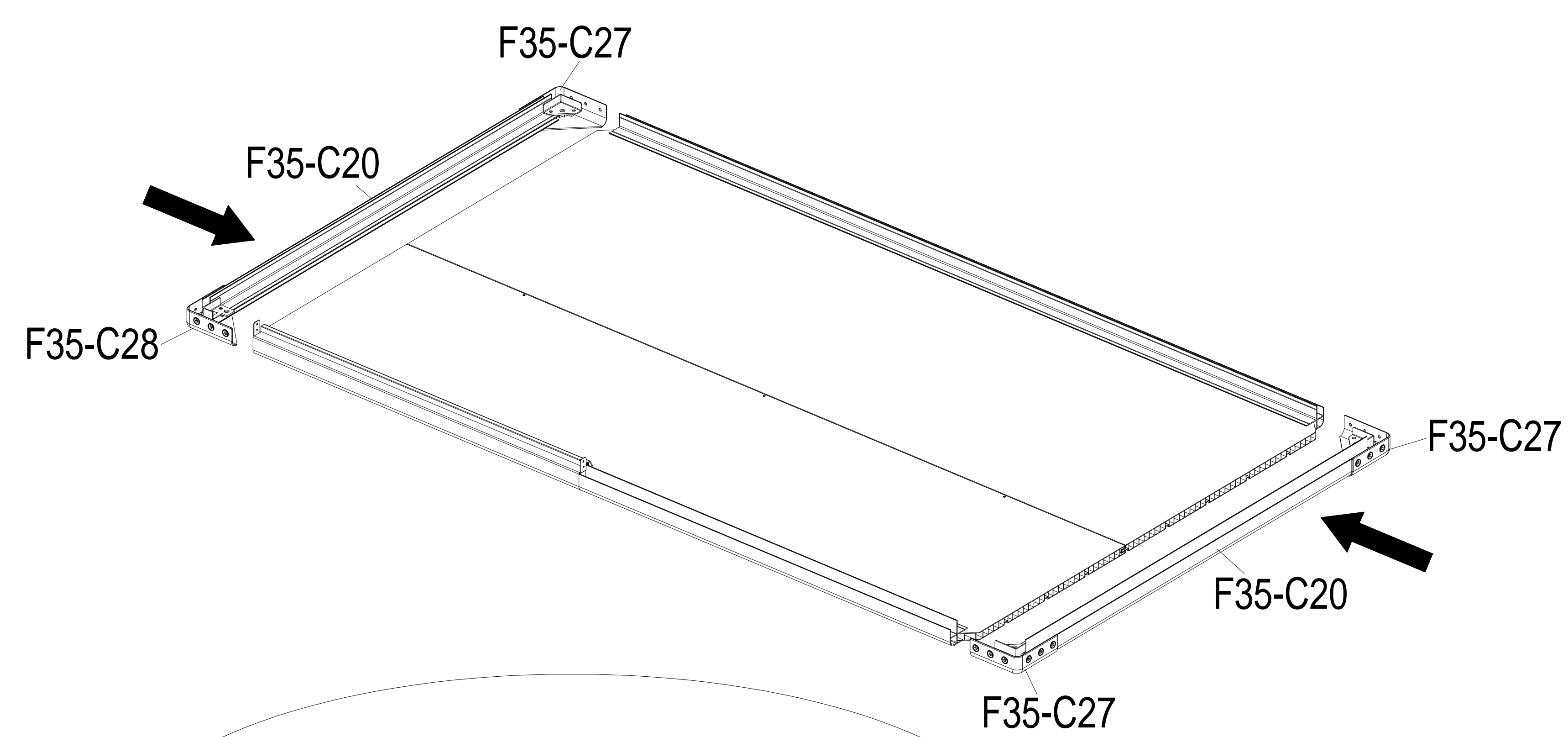


F35-C28 x1



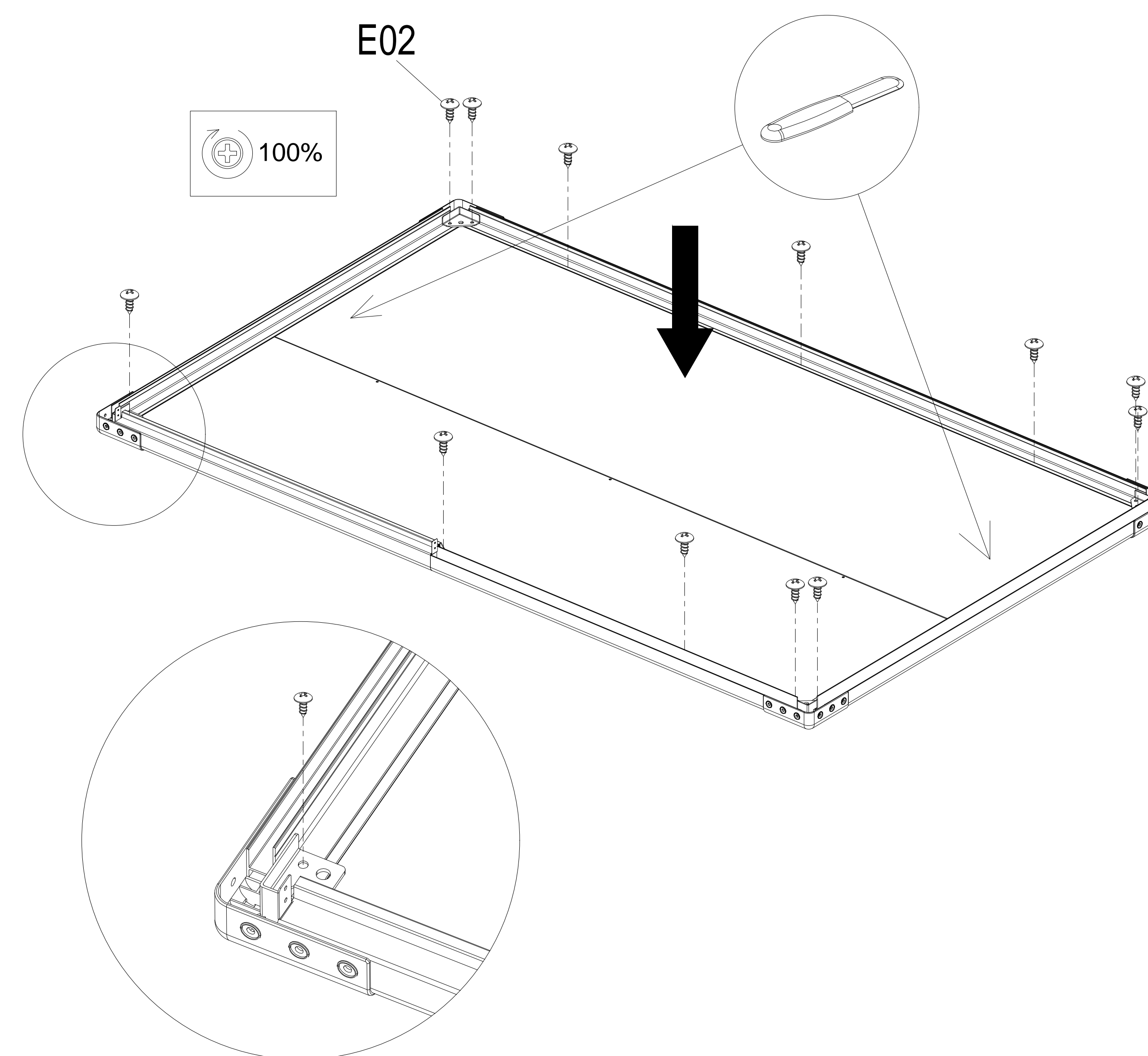
(ST4.2x12)
E02x12

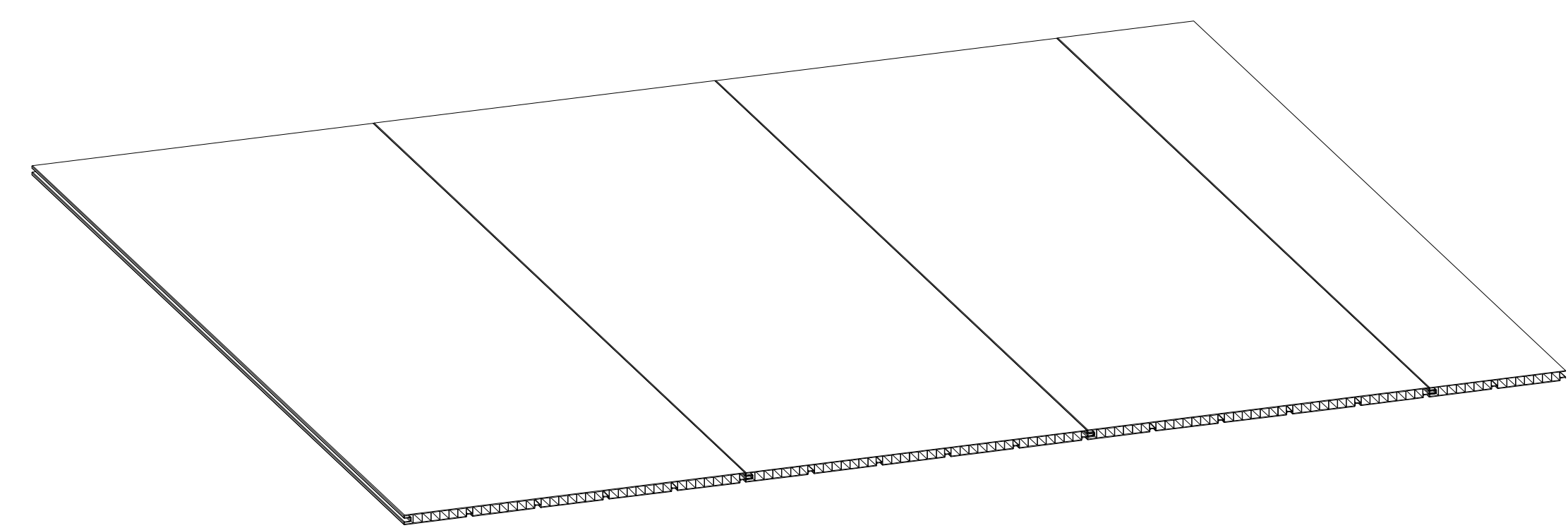
I



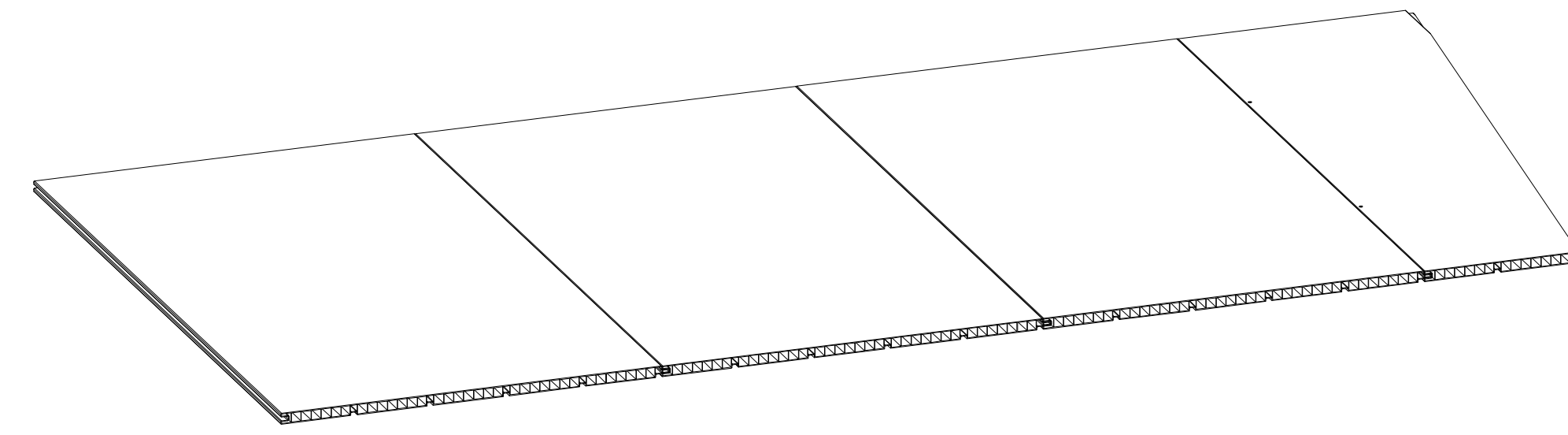
II

Please use rubber-knife to helping assembly.

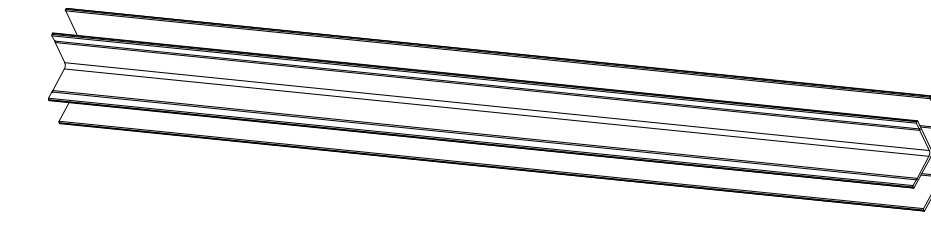




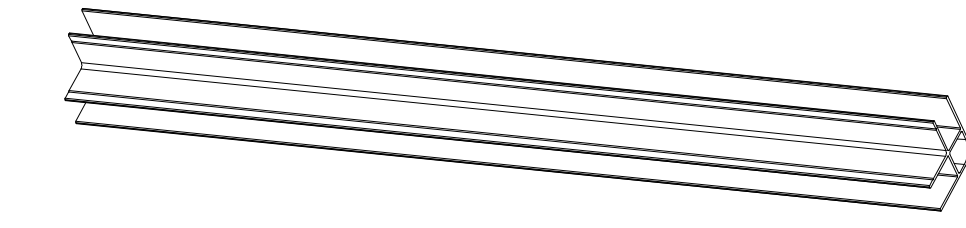
B



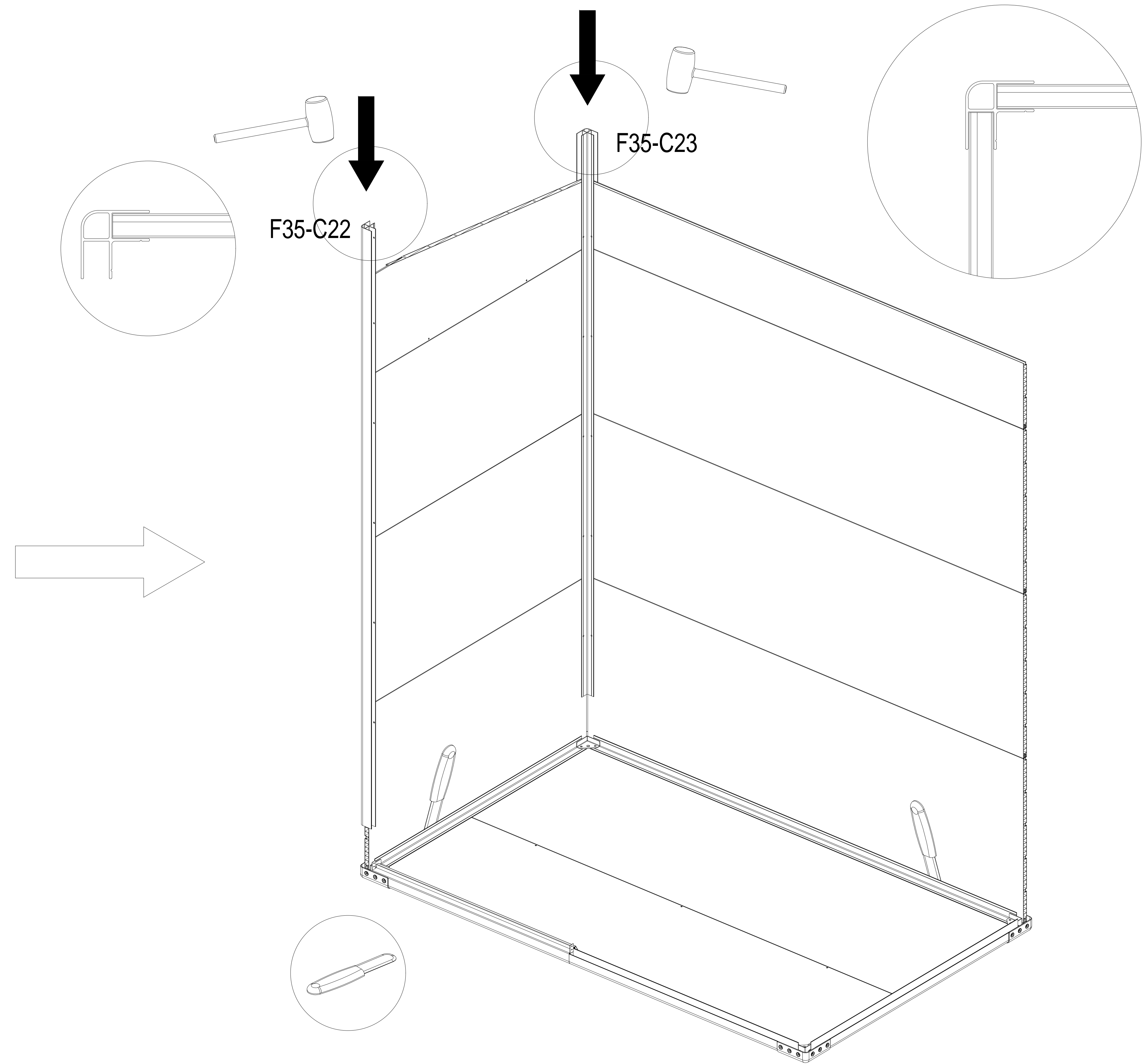
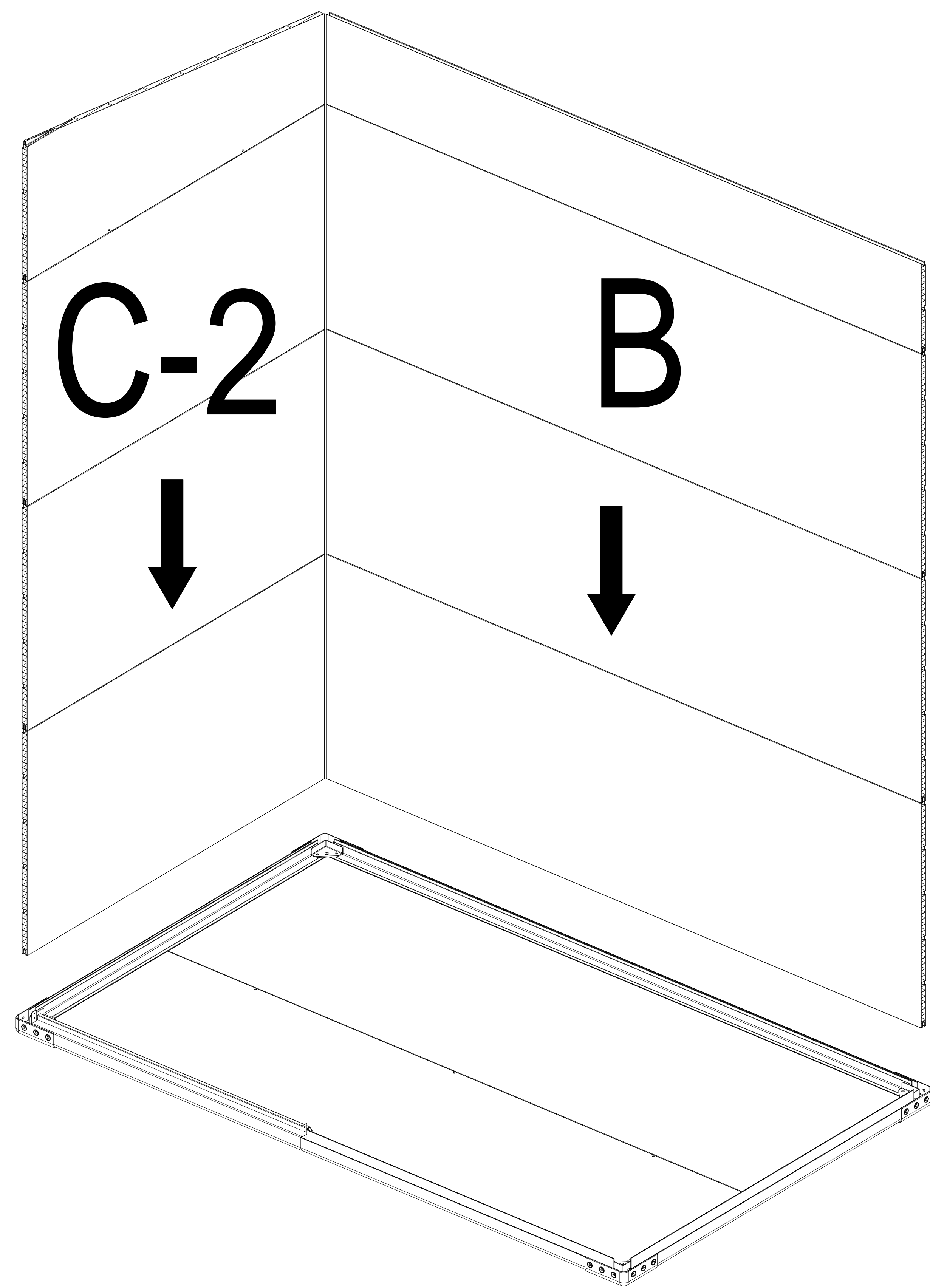
C-2



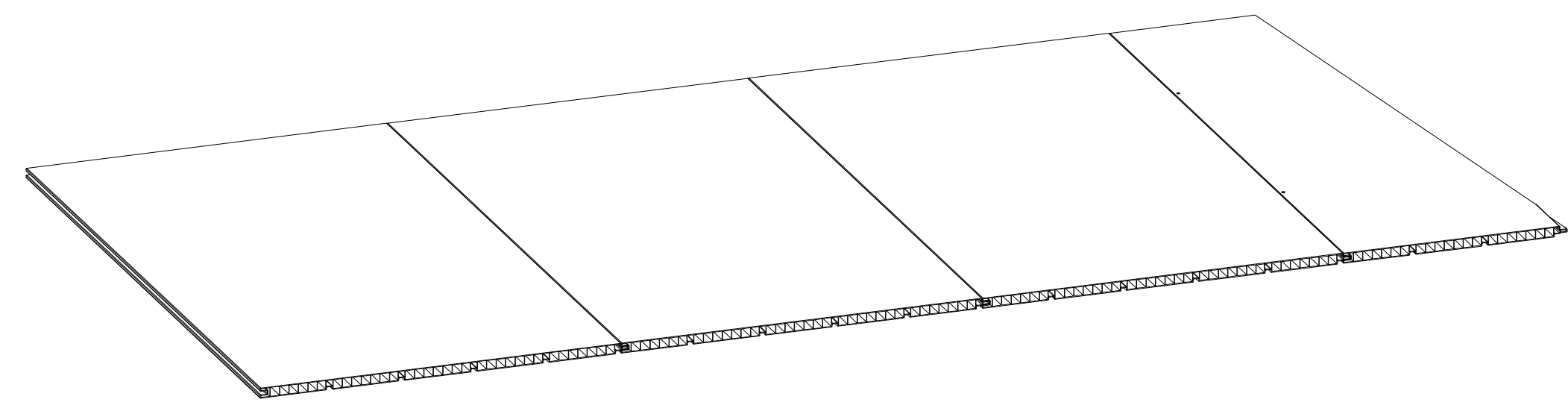
F35-C22 x1



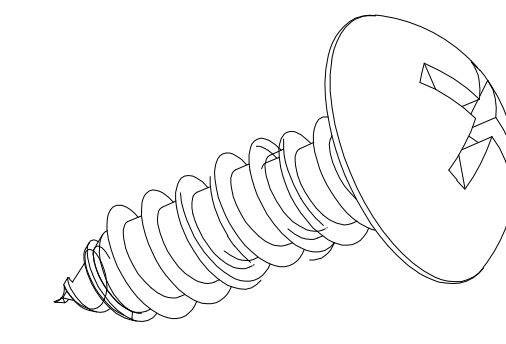
F35-C23 x1



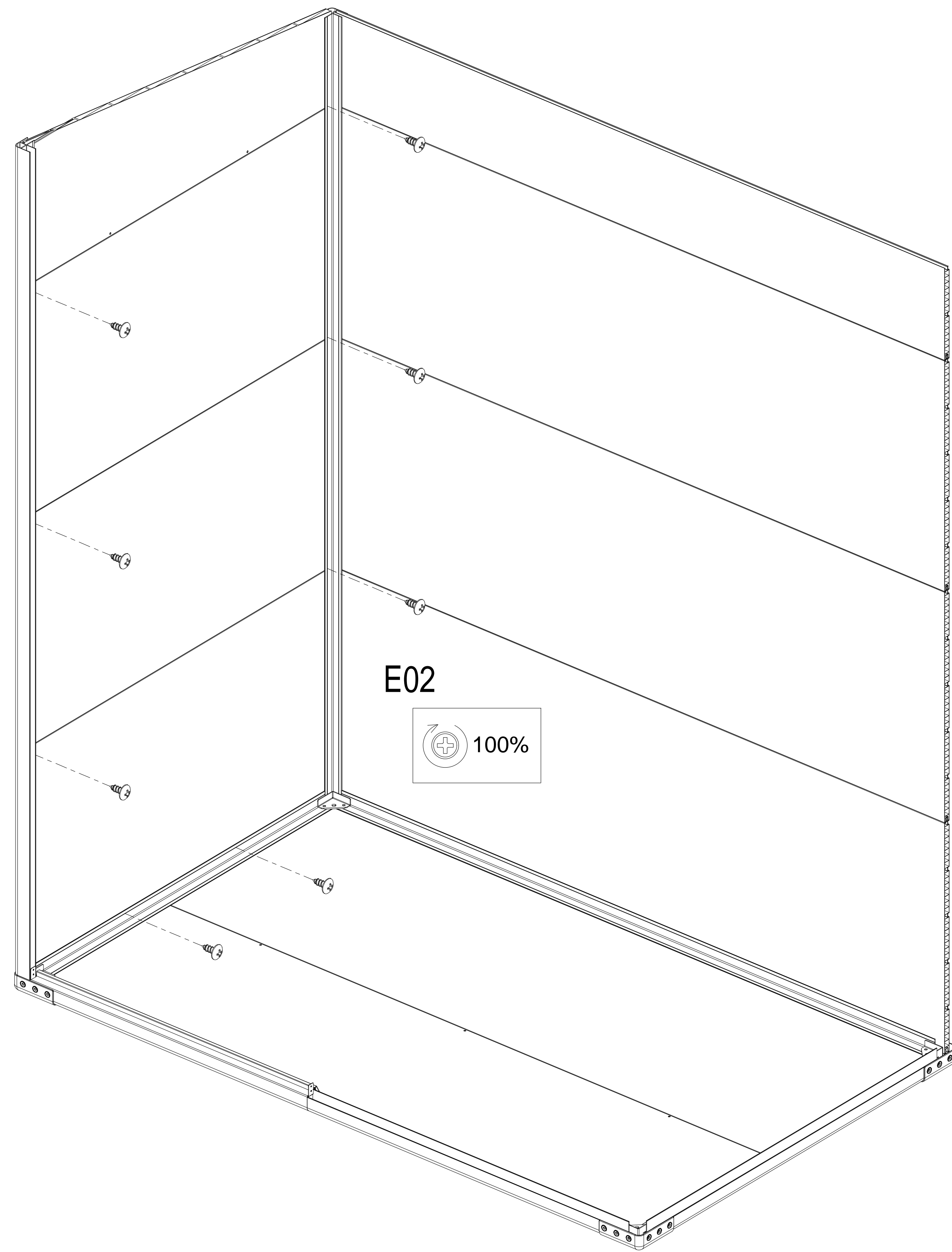
Please use rubber-knife to helping assembly.



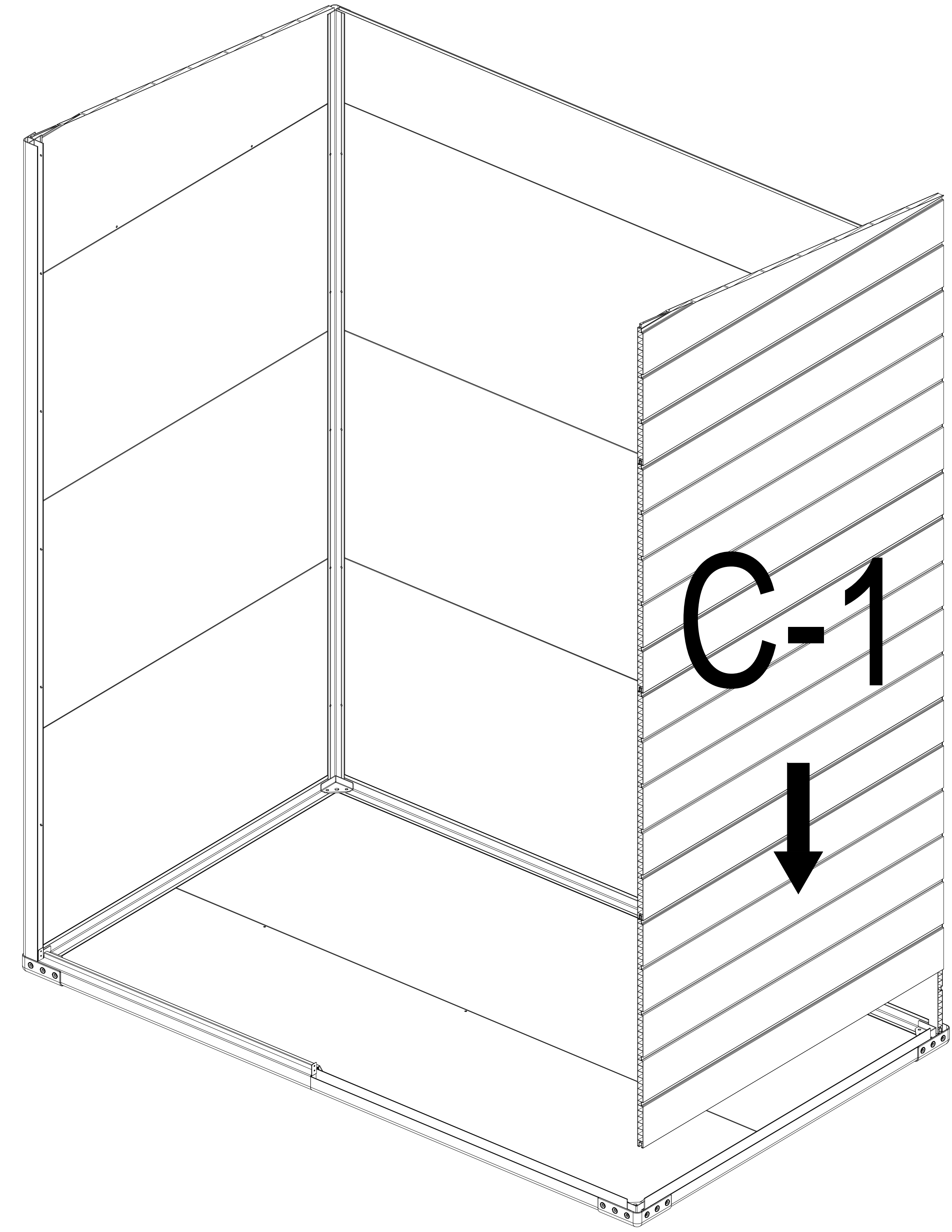
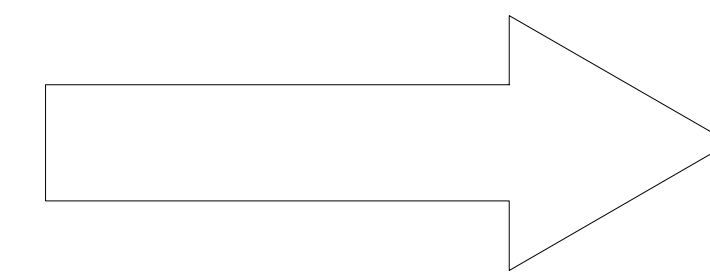
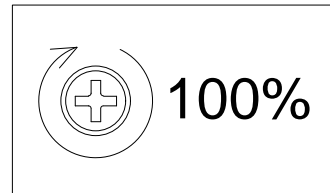
C-1



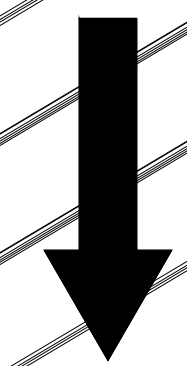
(ST4.2x12)
E02x8

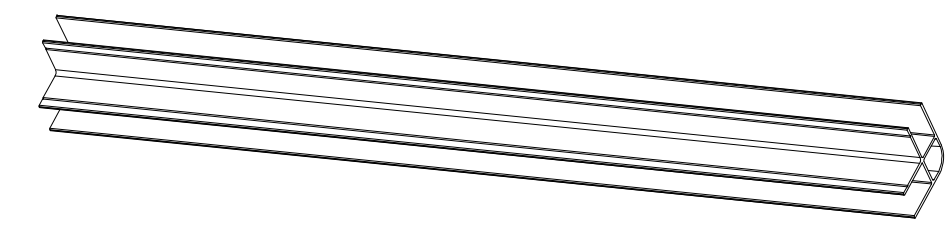


E02

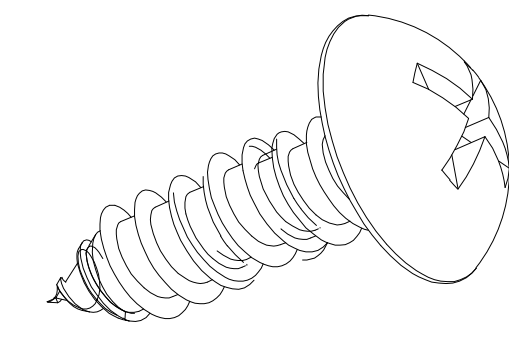


C-1

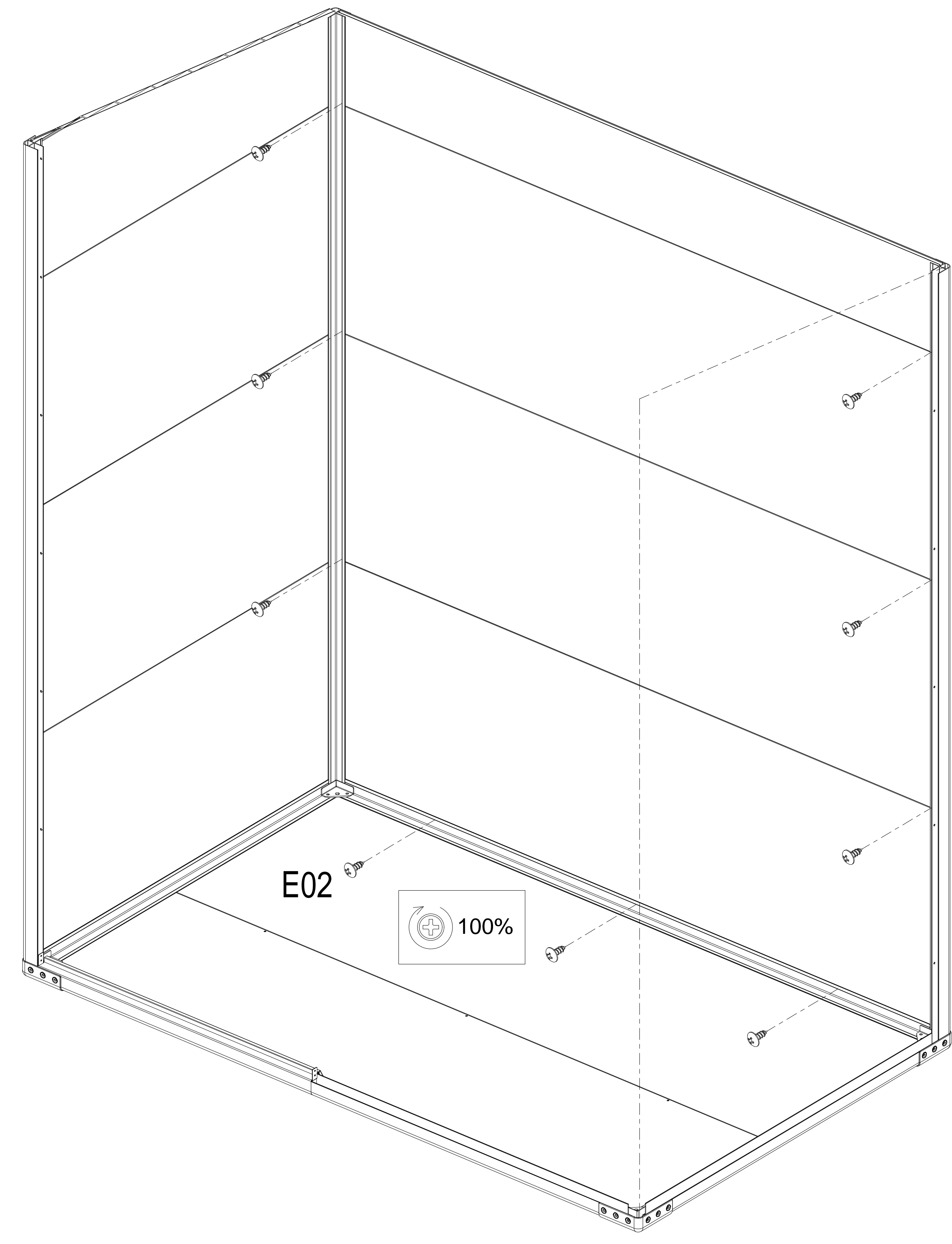
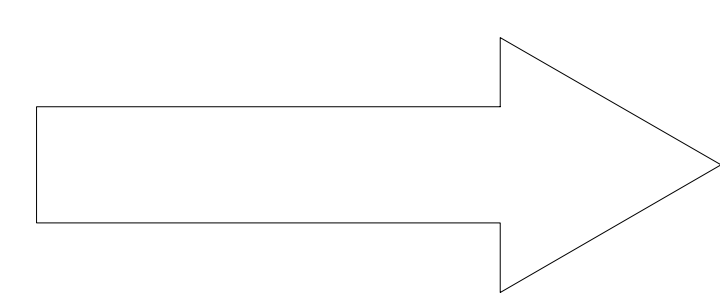
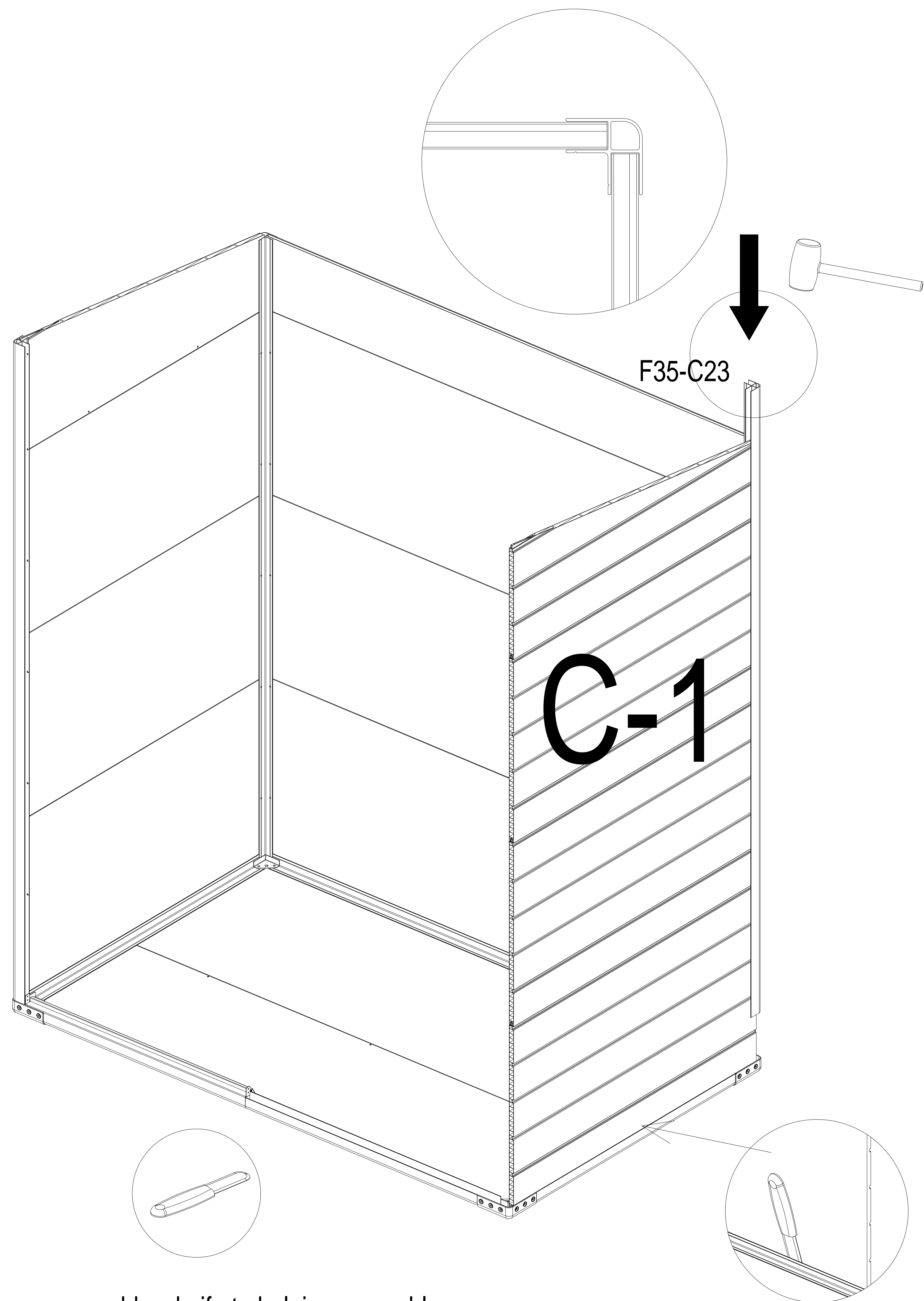




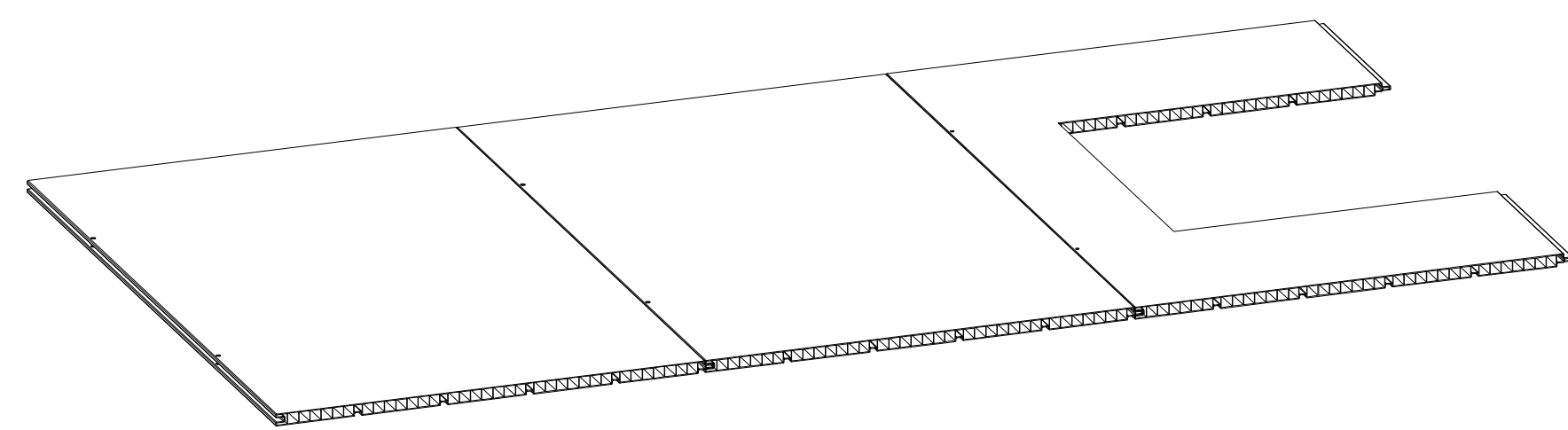
F35-C23 x1



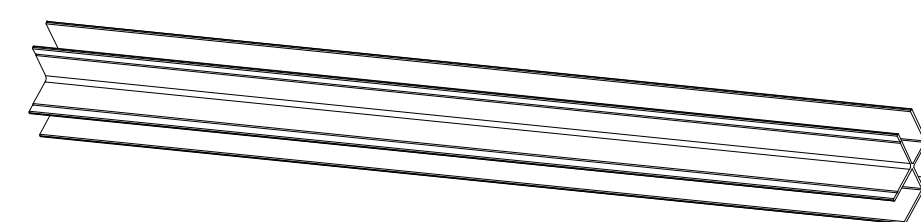
(ST4.2x12)
E02x9



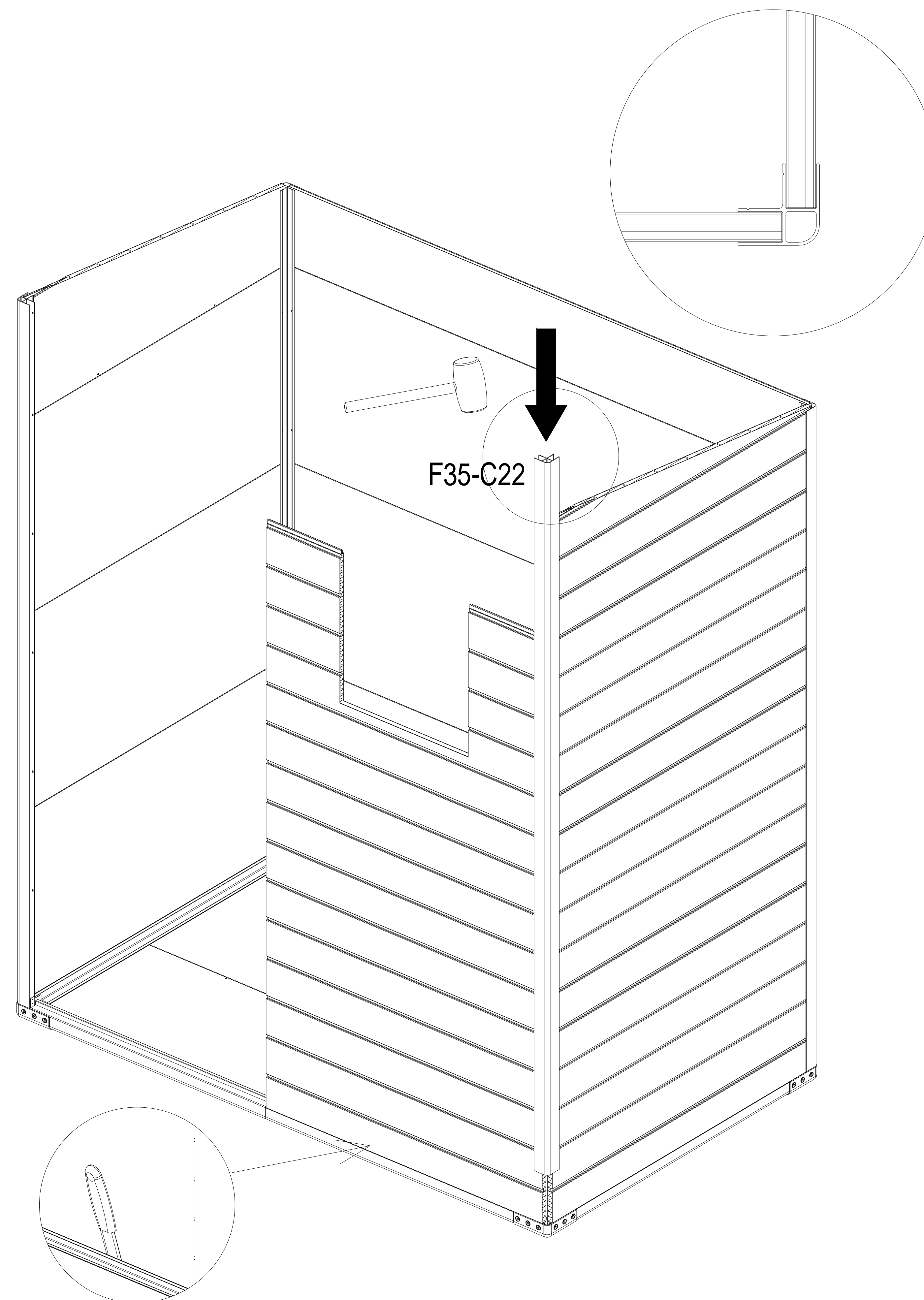
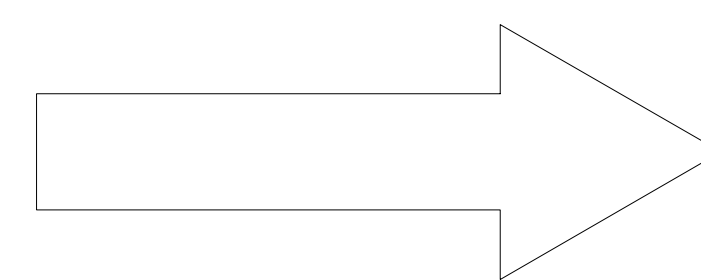
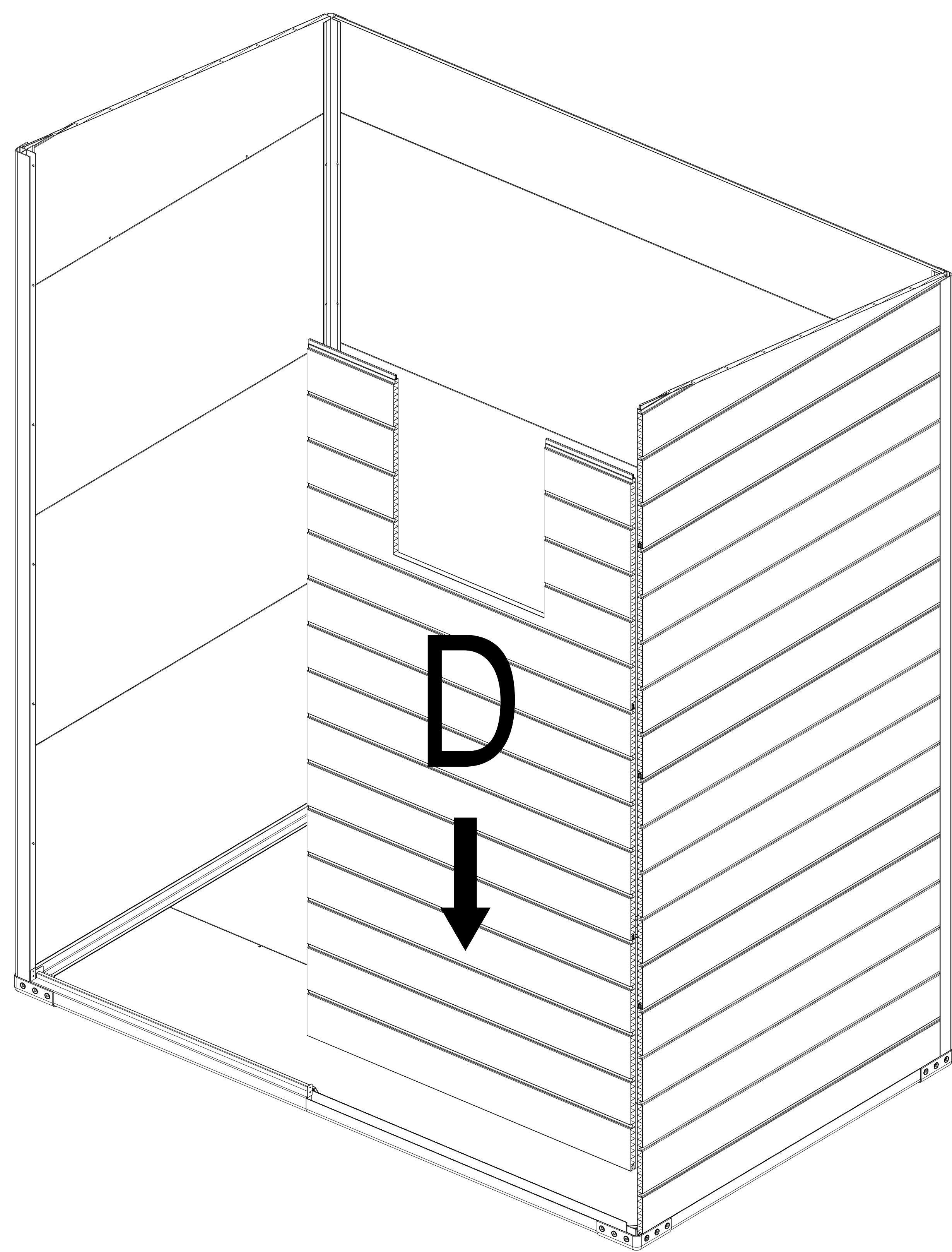
Please use rubber-knife to helping assembly.



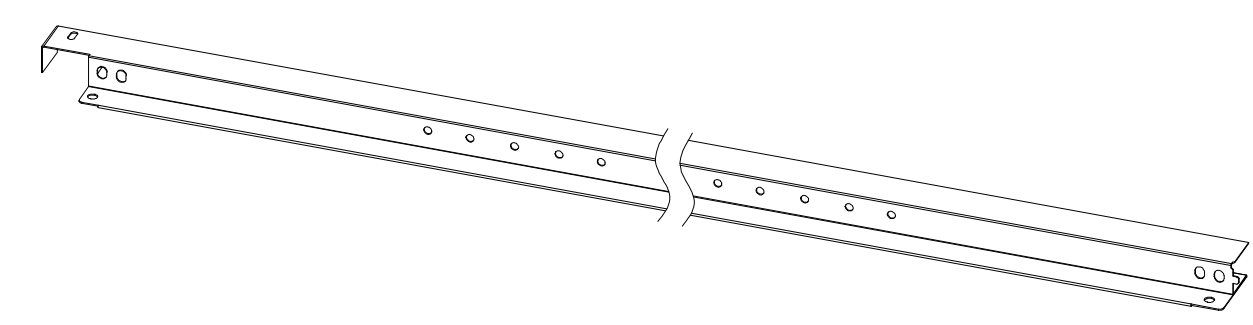
D



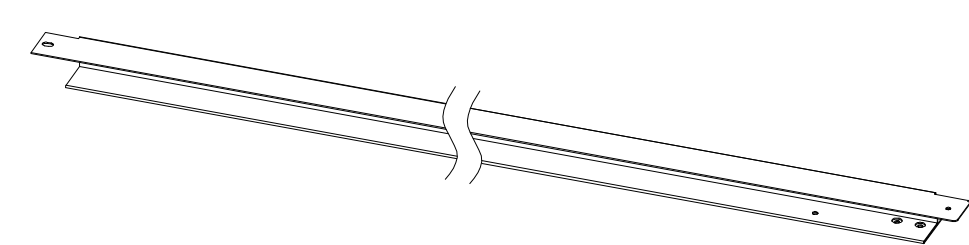
F35-C22 x1



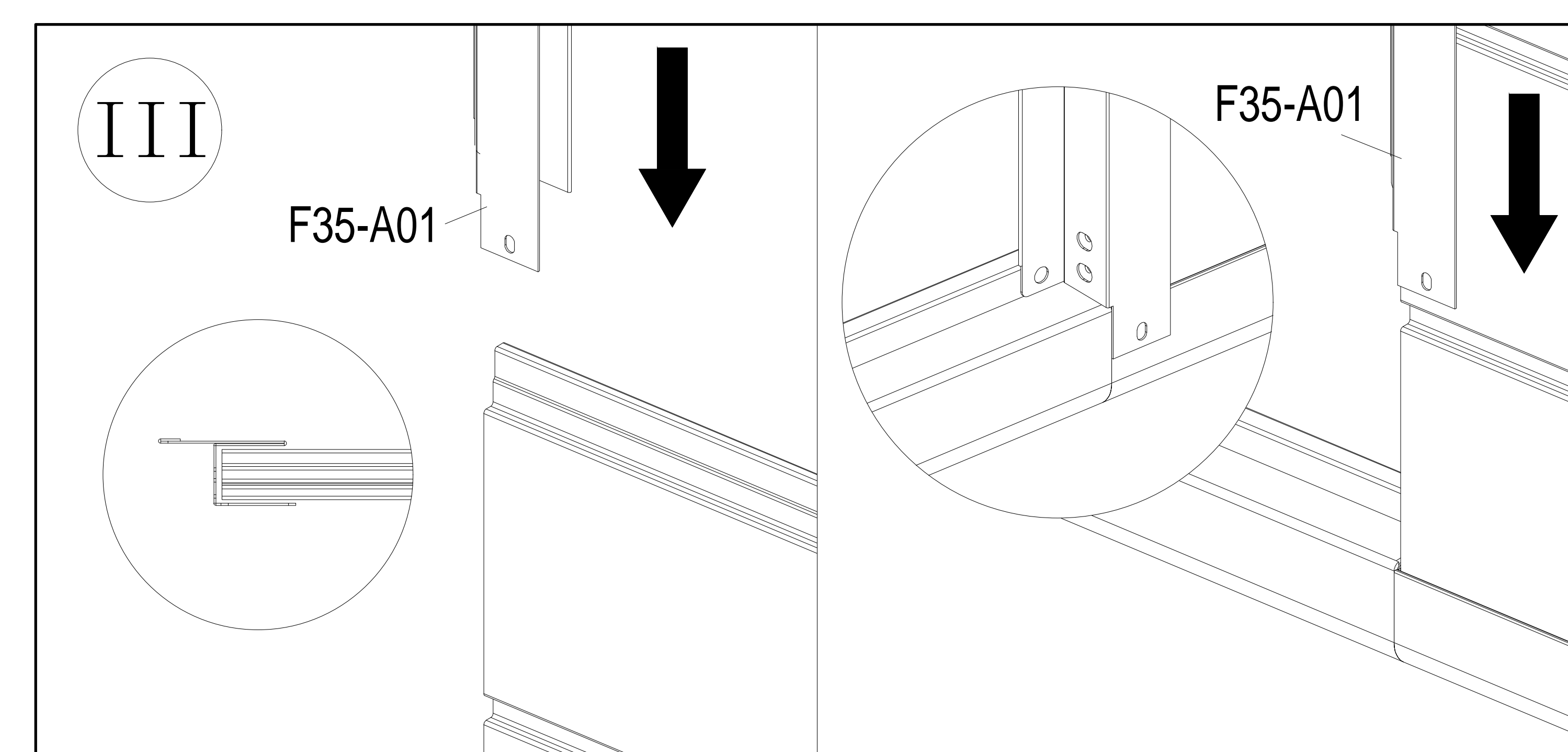
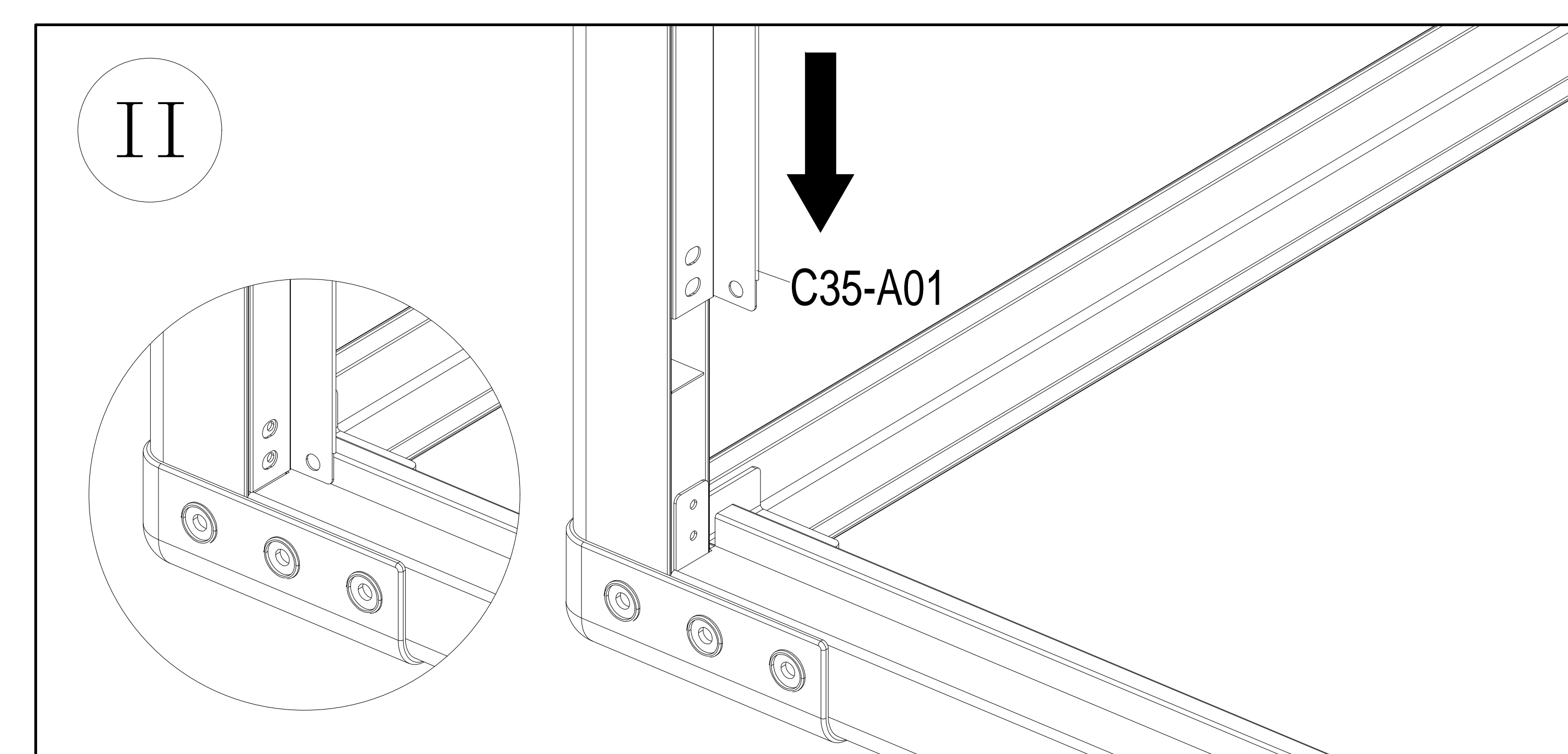
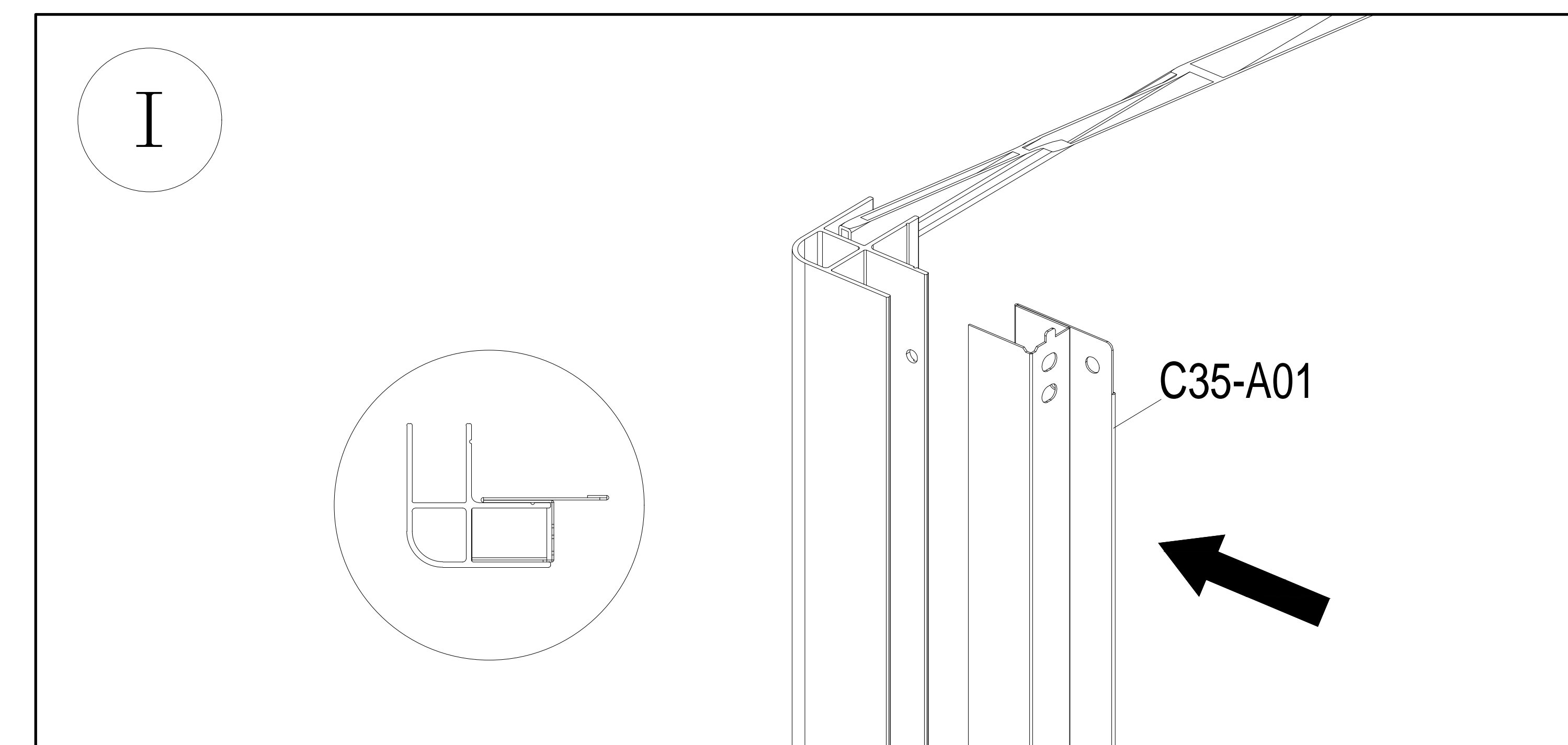
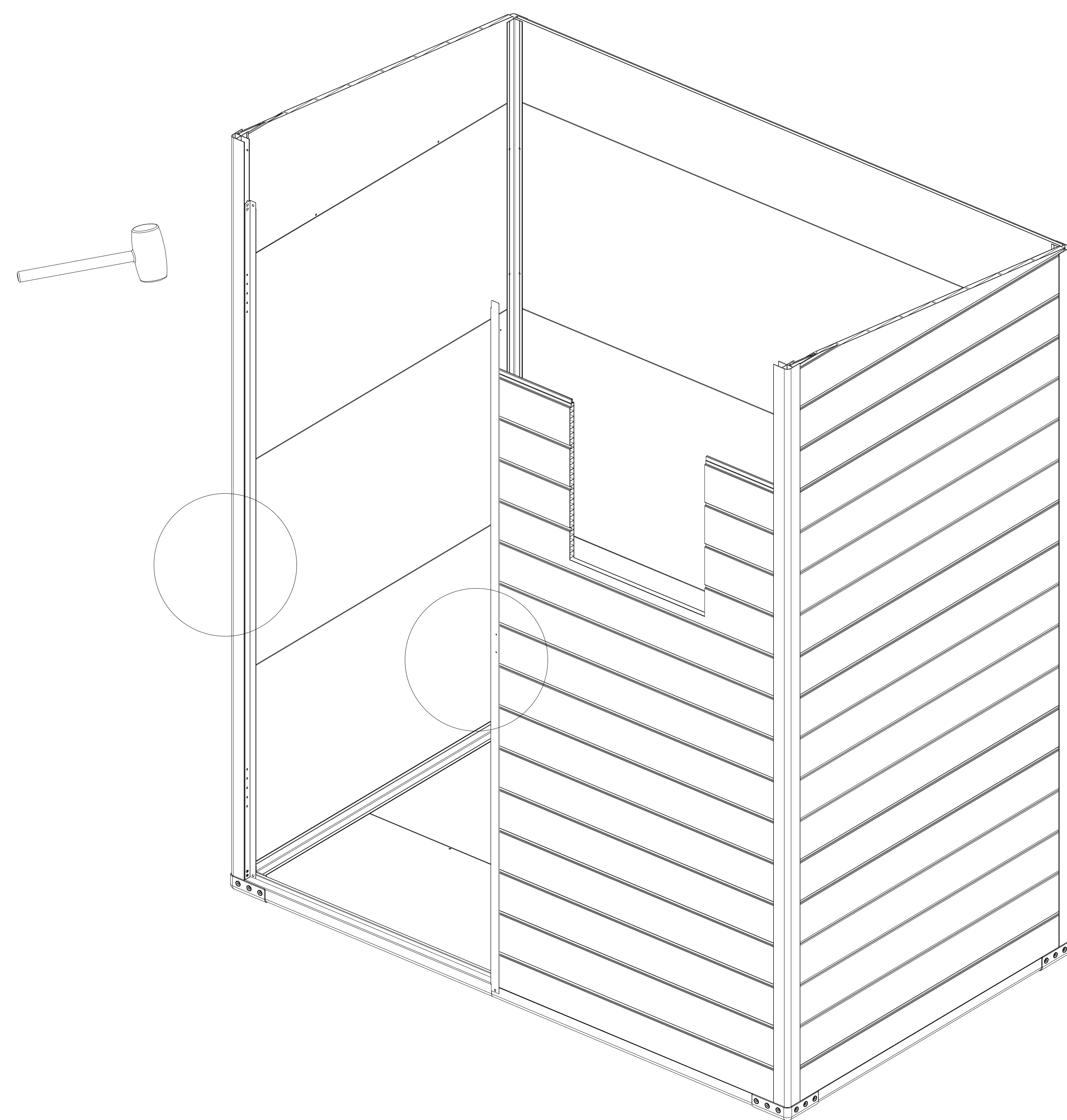
Please use rubber-knife to helping assembly.

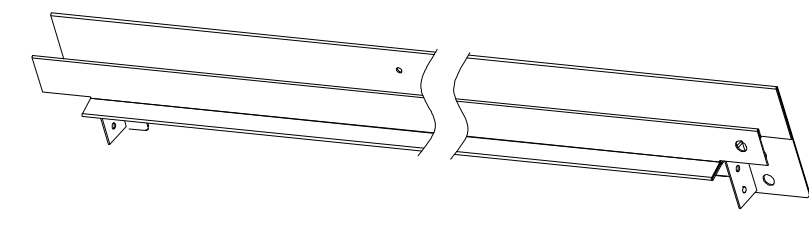


C35-A01 x1

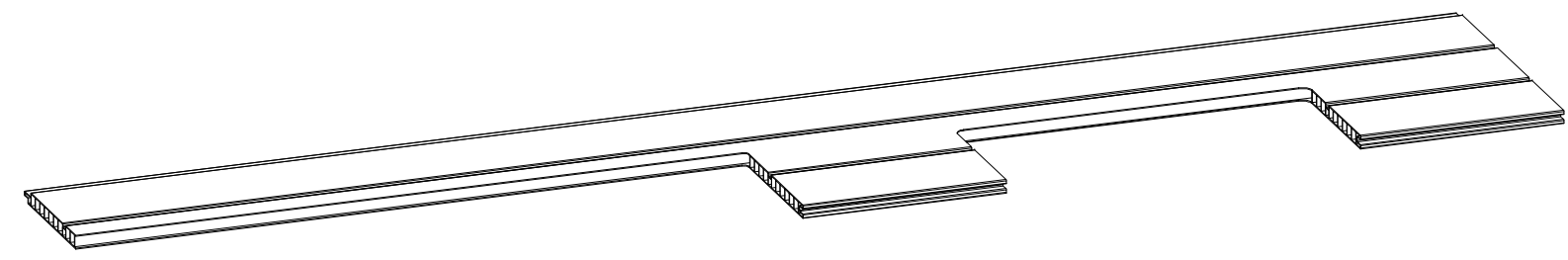


F35-A01 x1

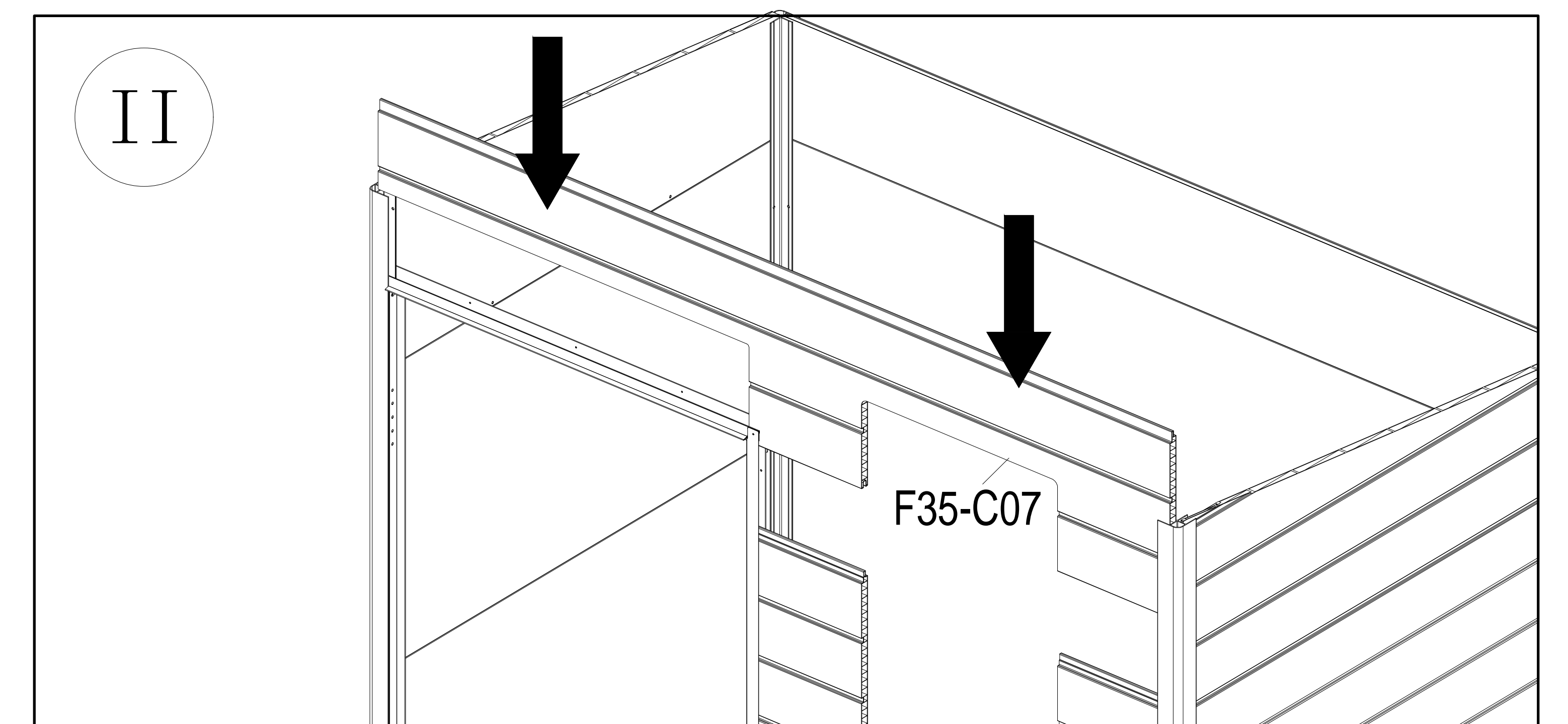
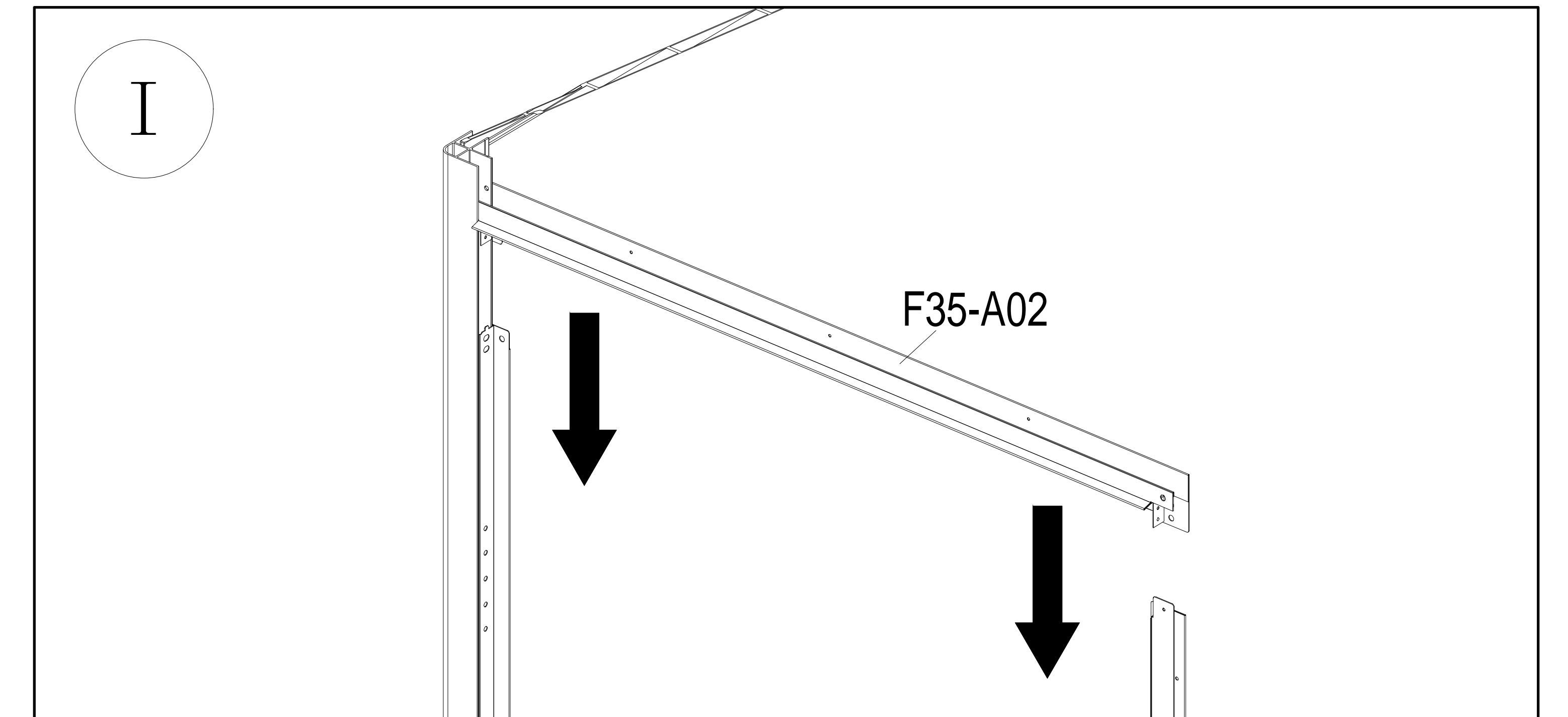
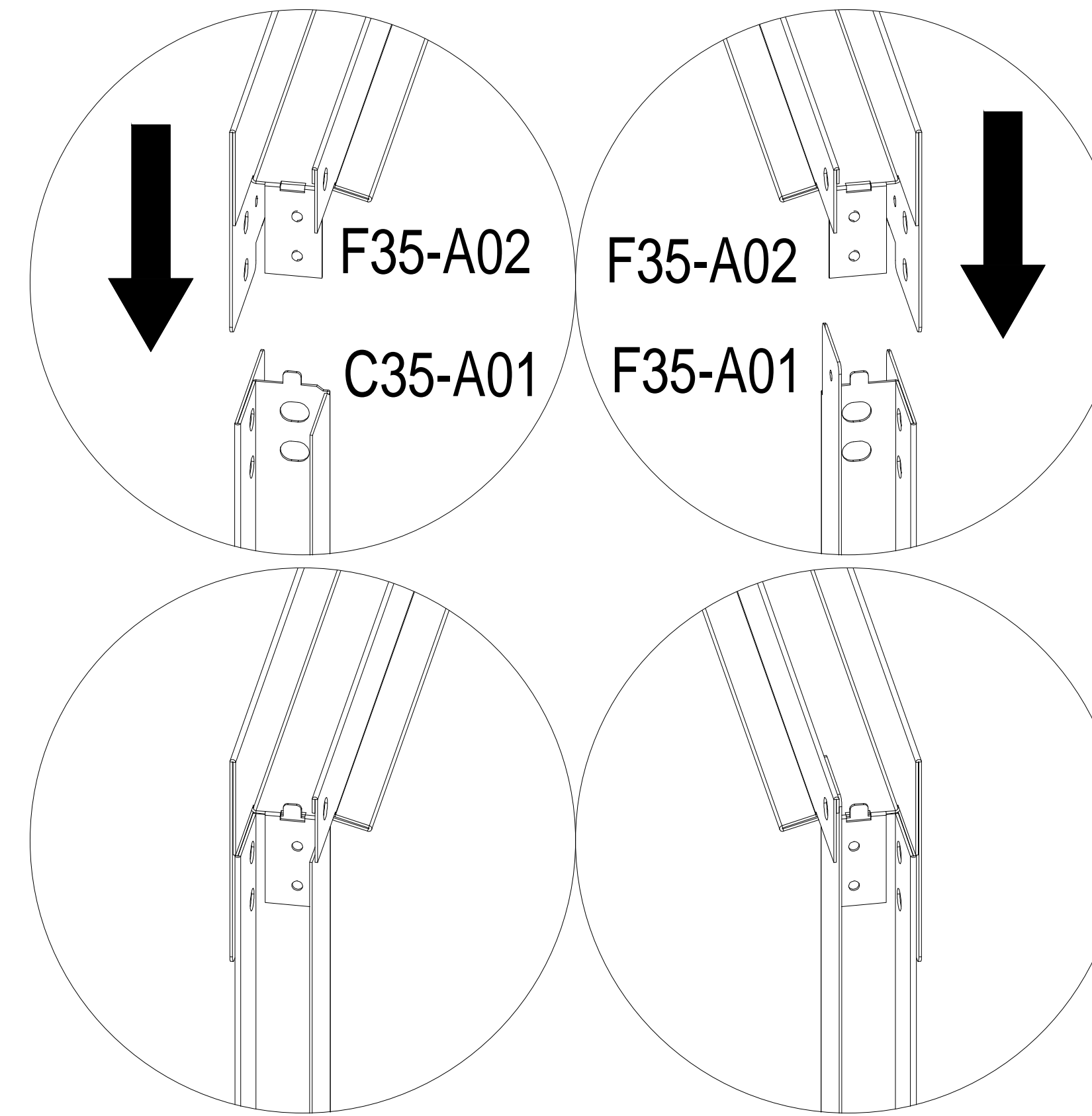
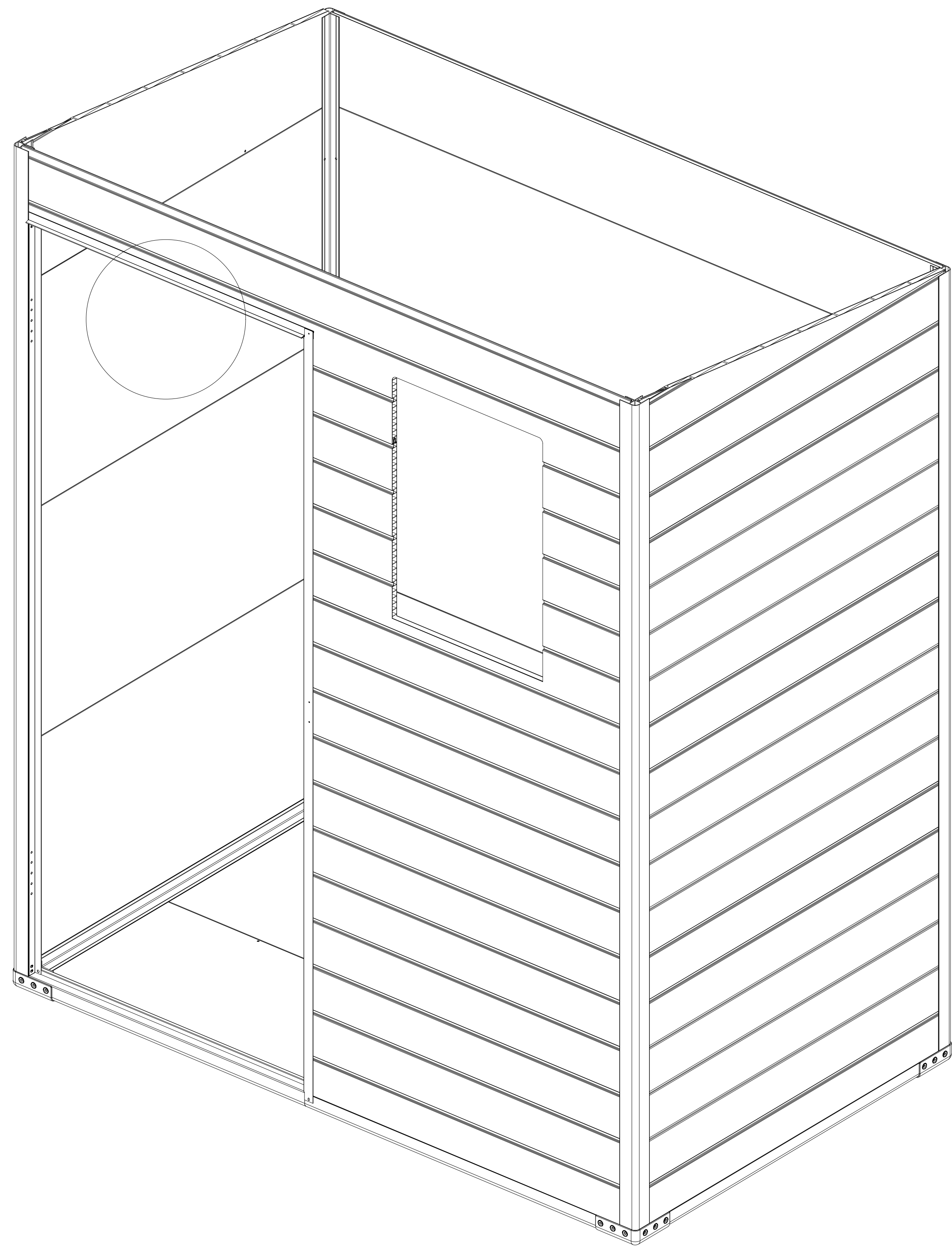


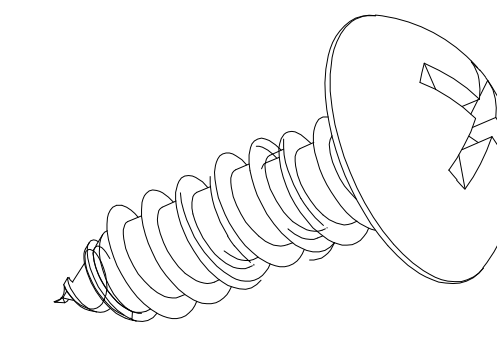


F35-A02 x1

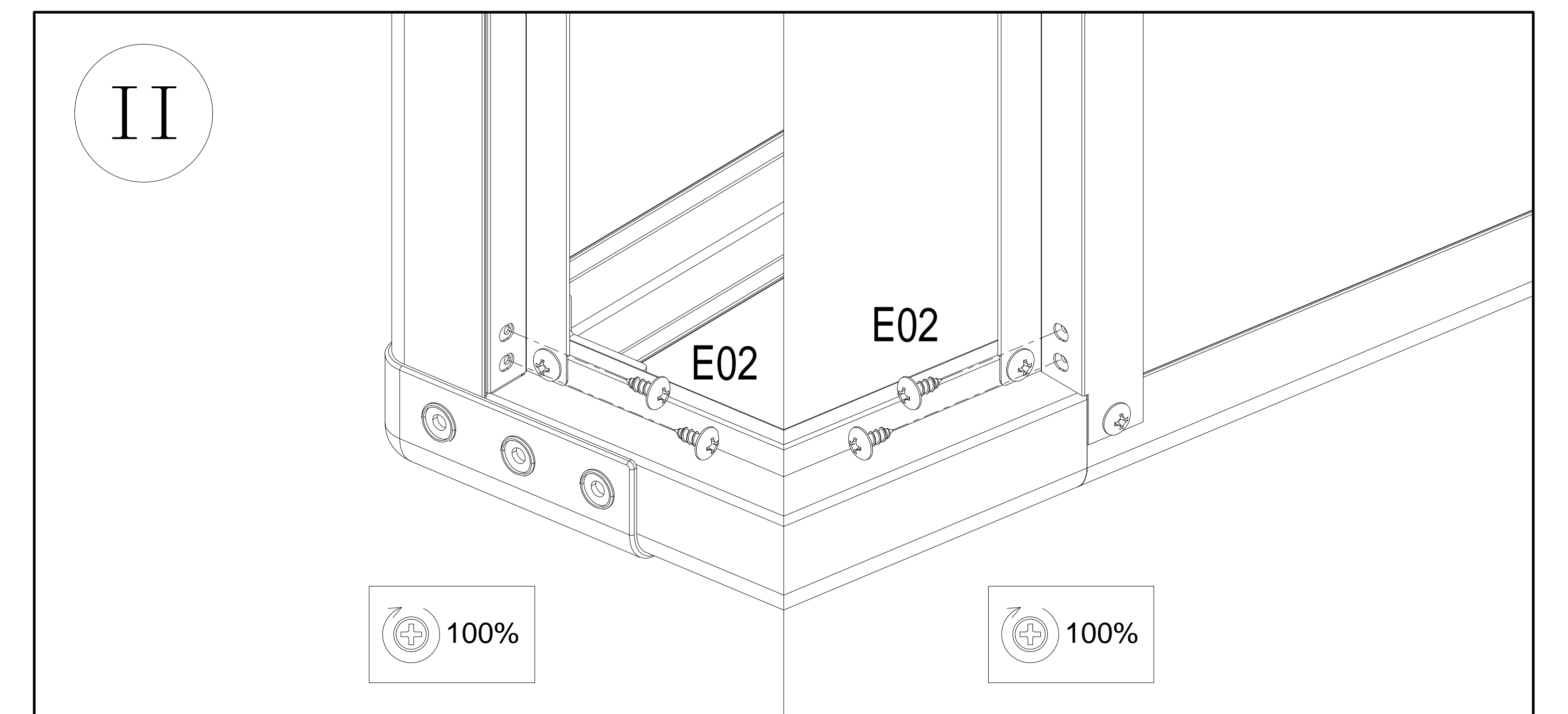
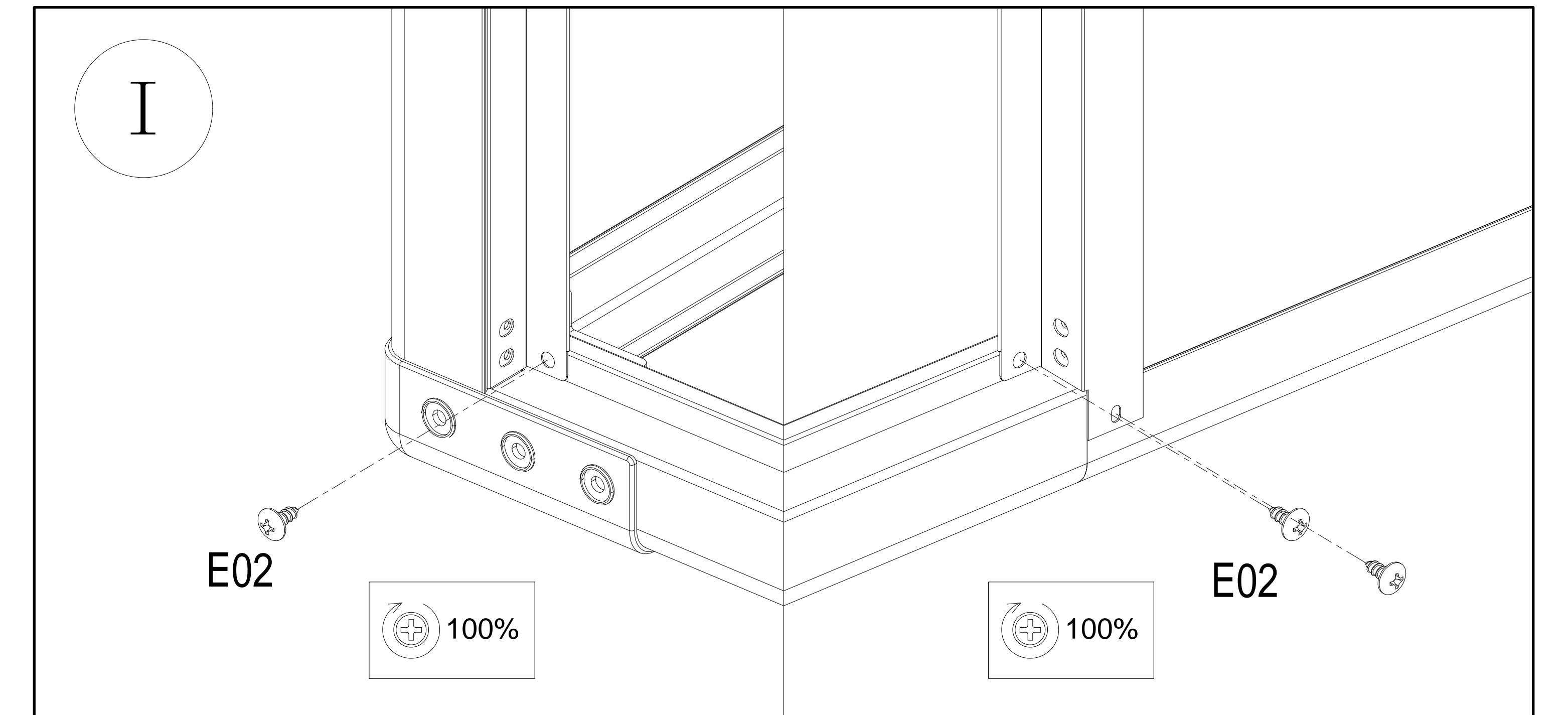
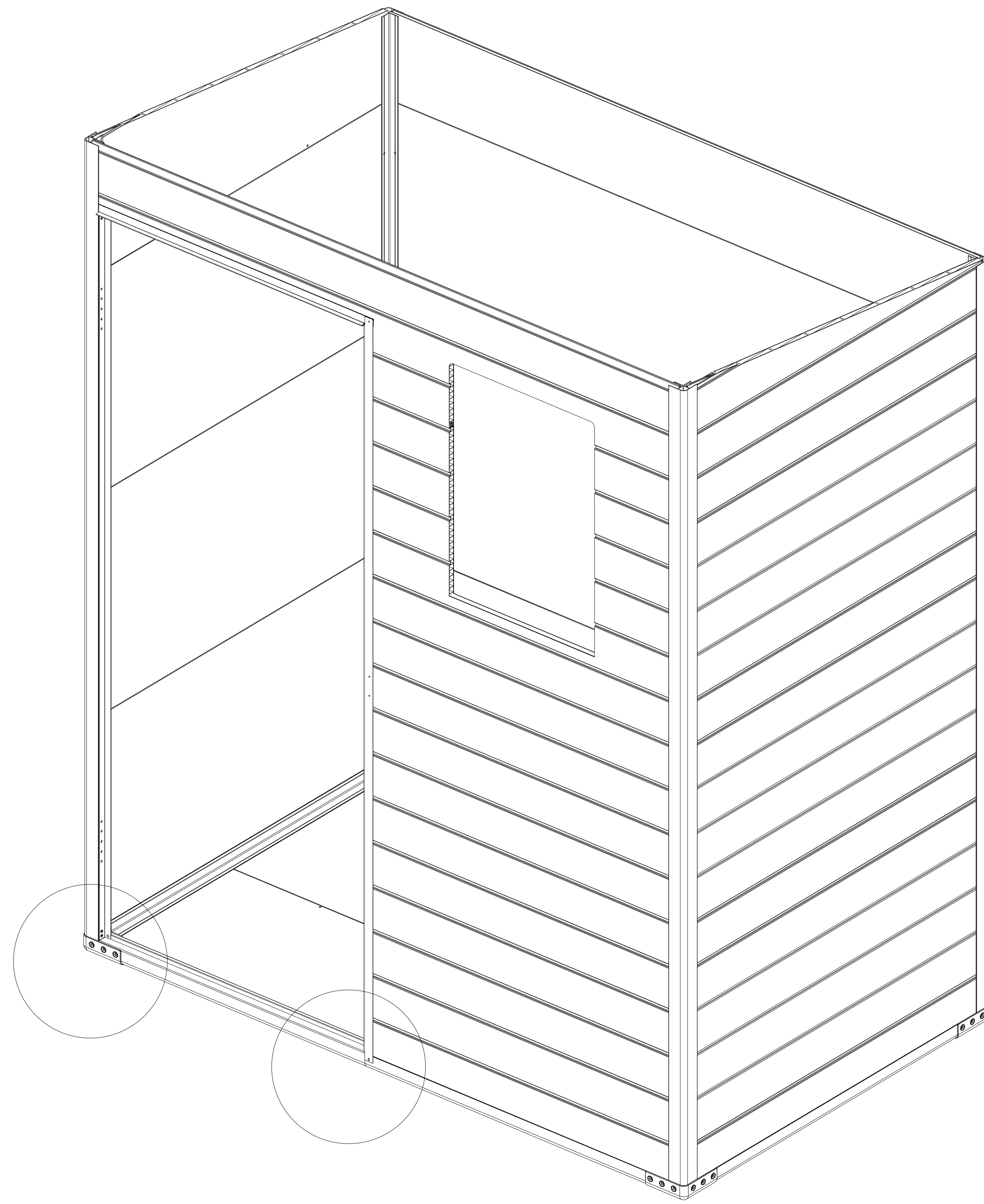


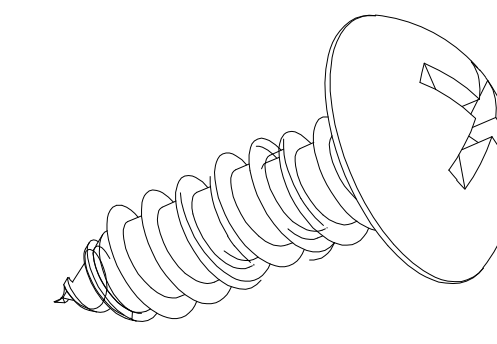
F35-C07 x1



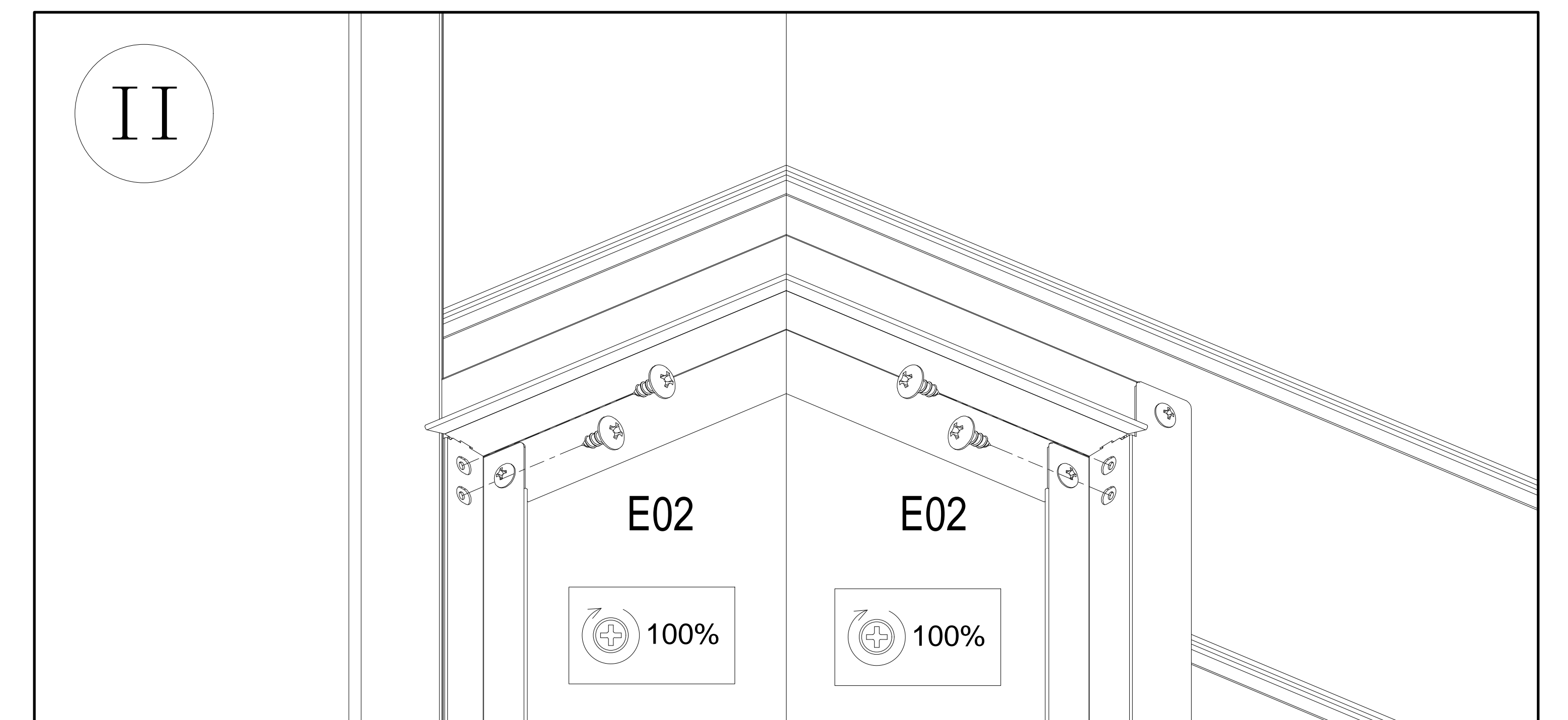
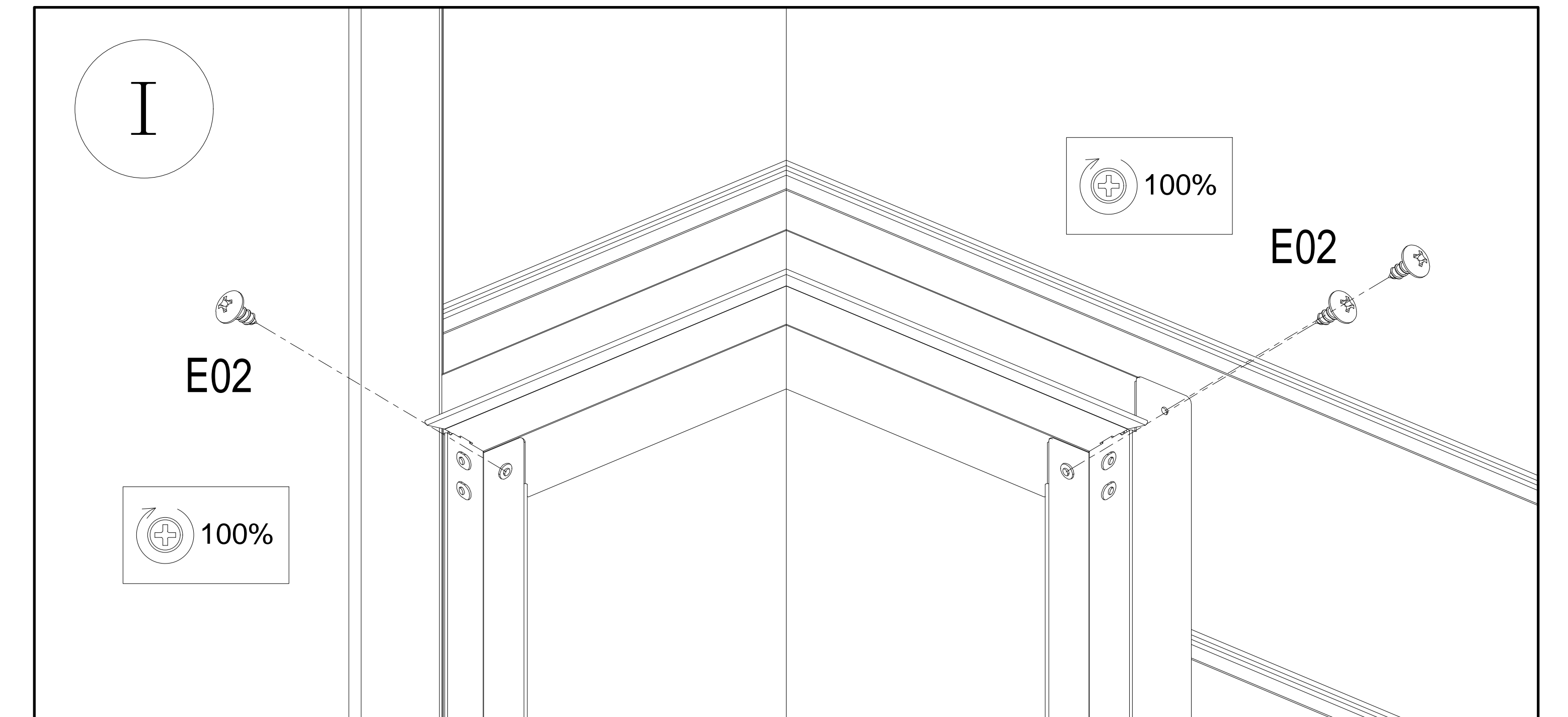
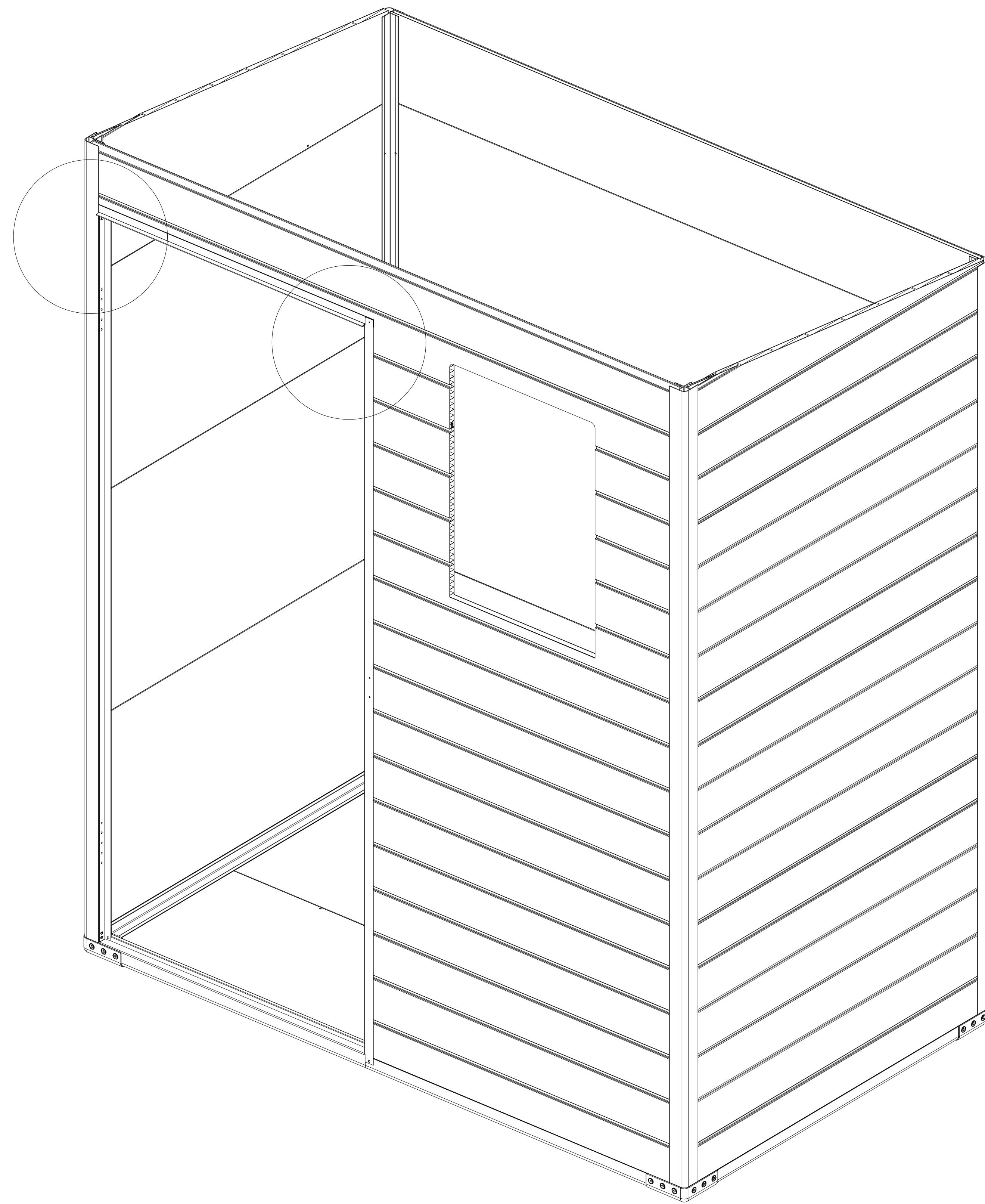


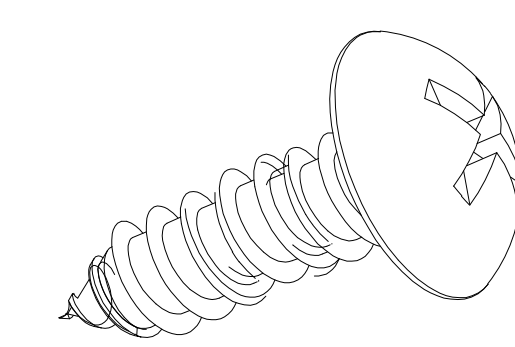
(ST4.2x12)
E02x7



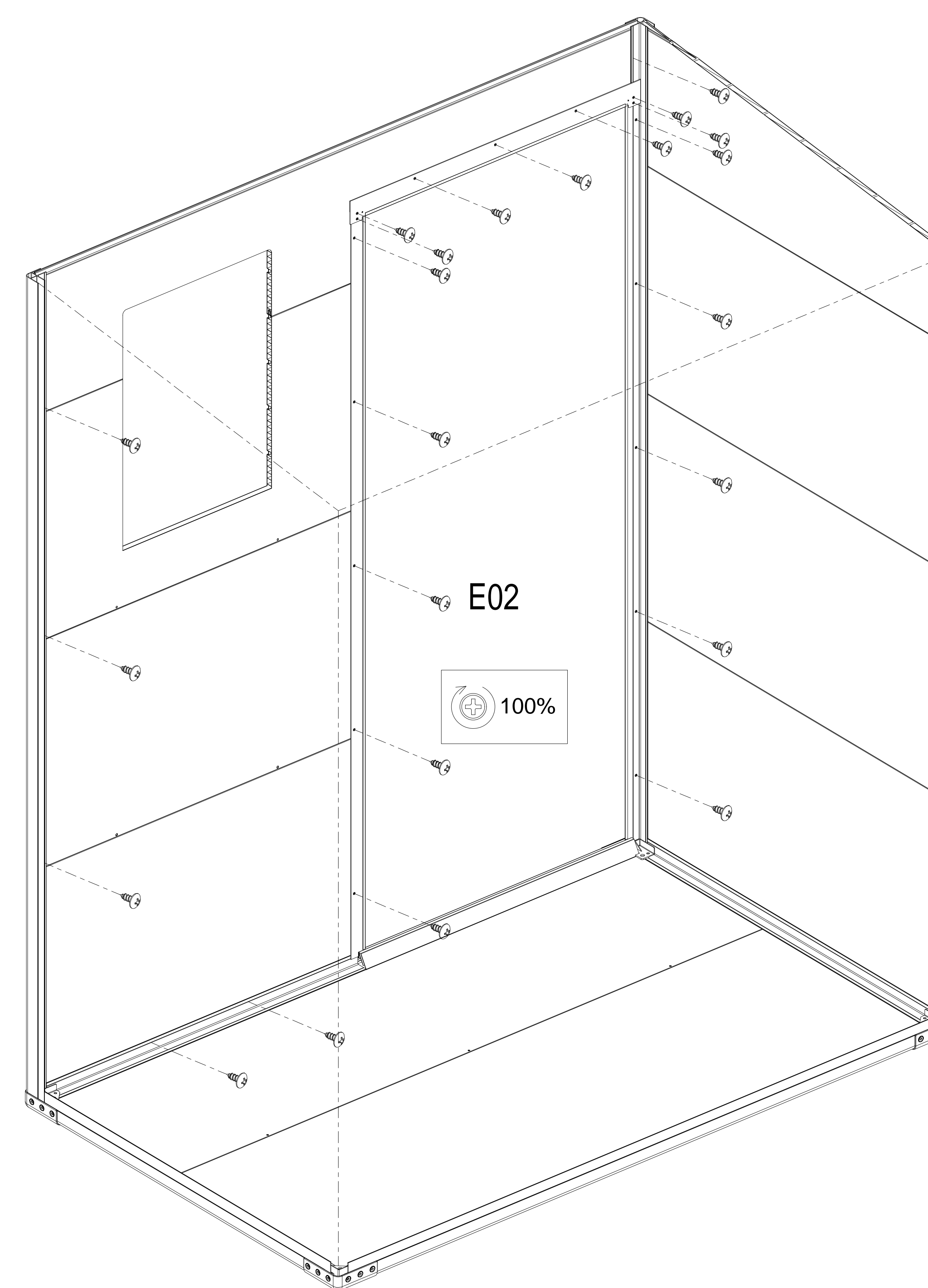
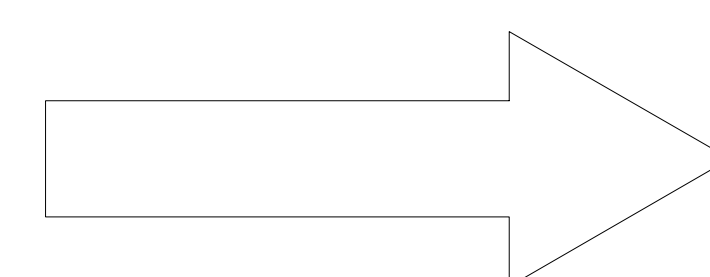
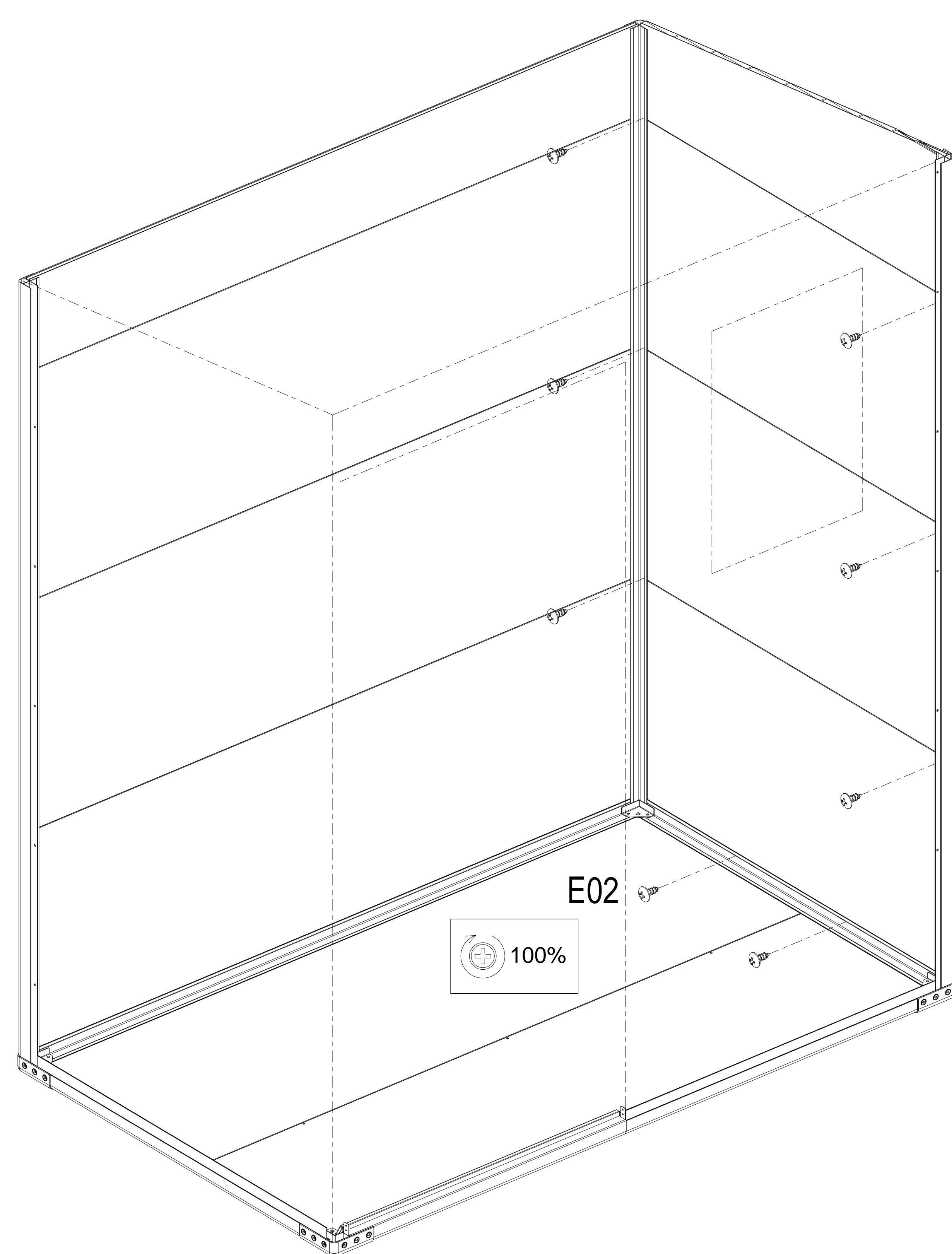


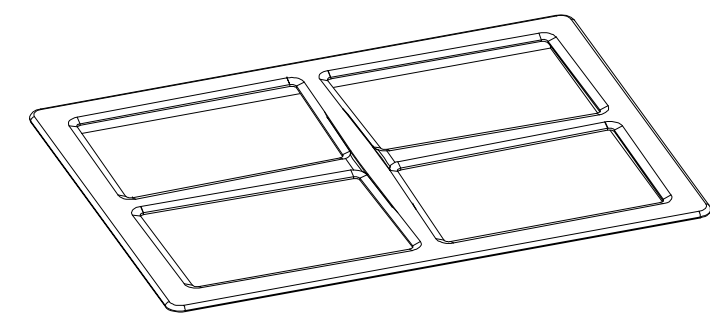
(ST4.2x12)
E02x7



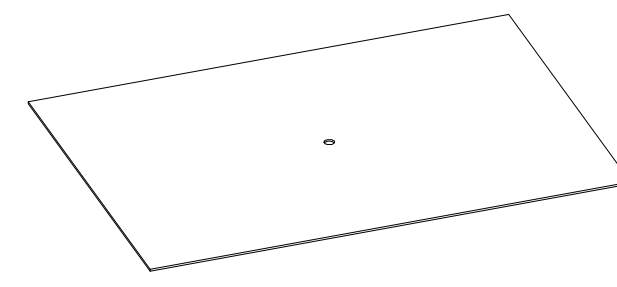


(ST4.2x12)
E02x31

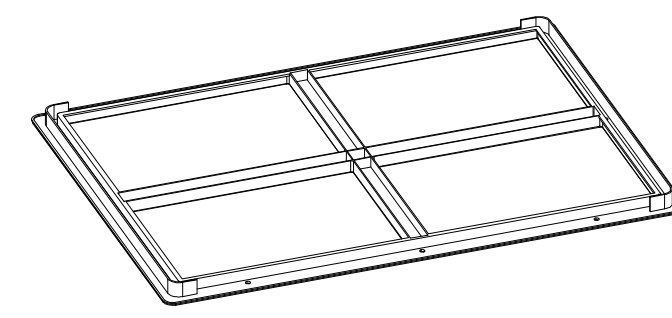




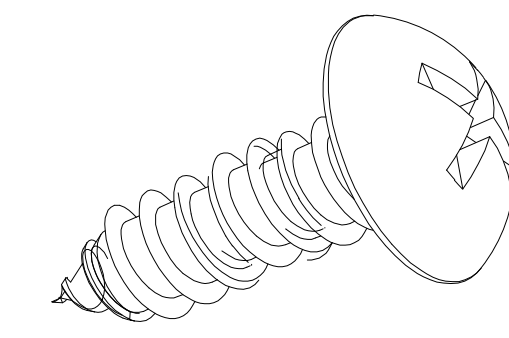
F35-C31 x1



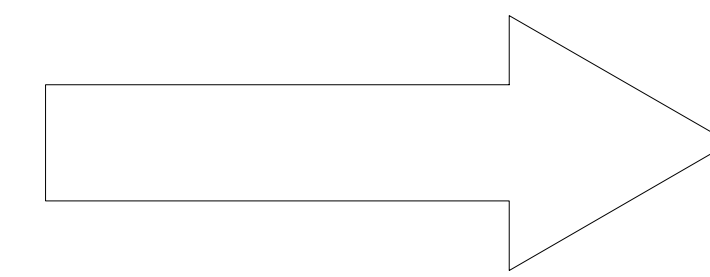
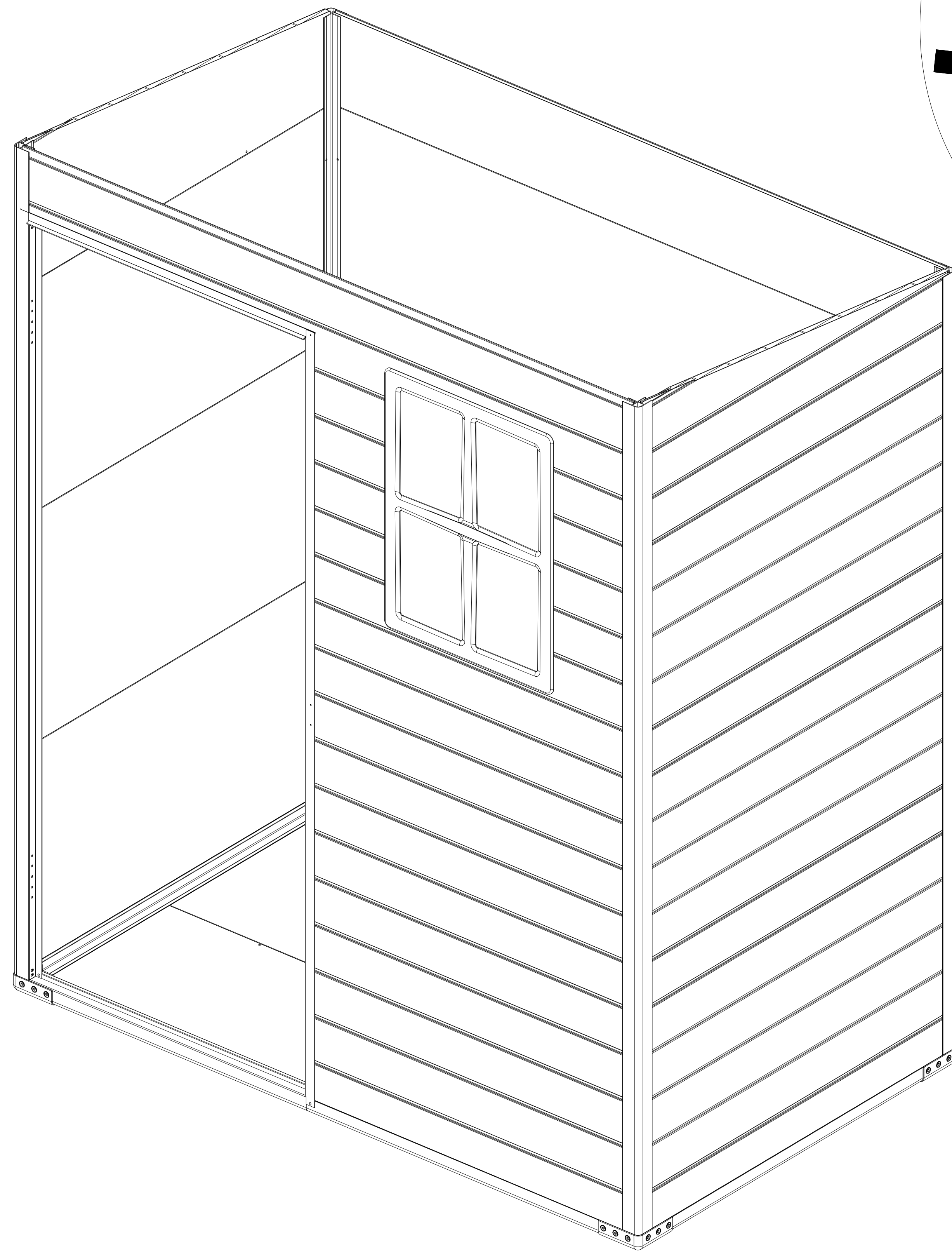
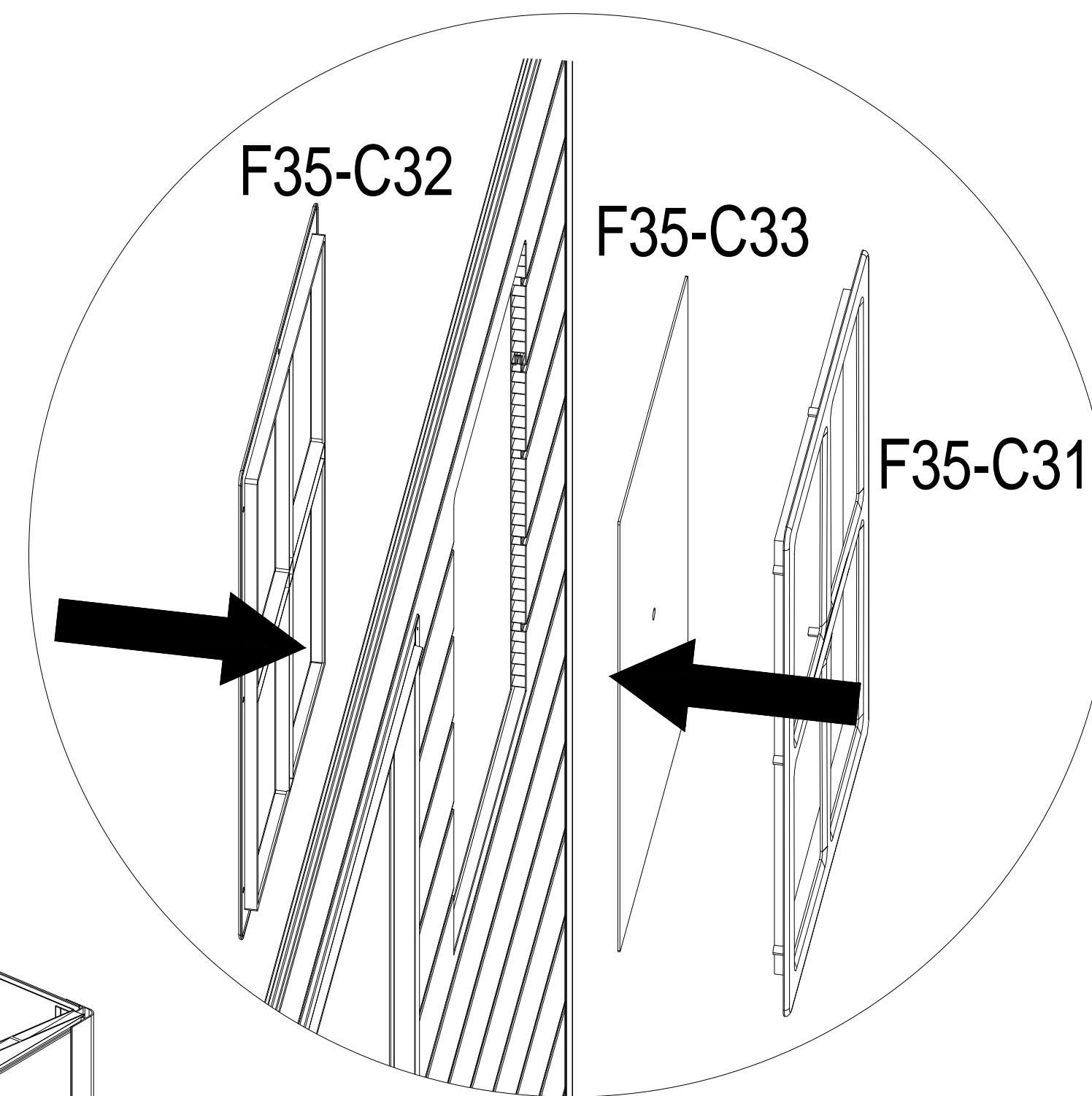
F35-C33 x1

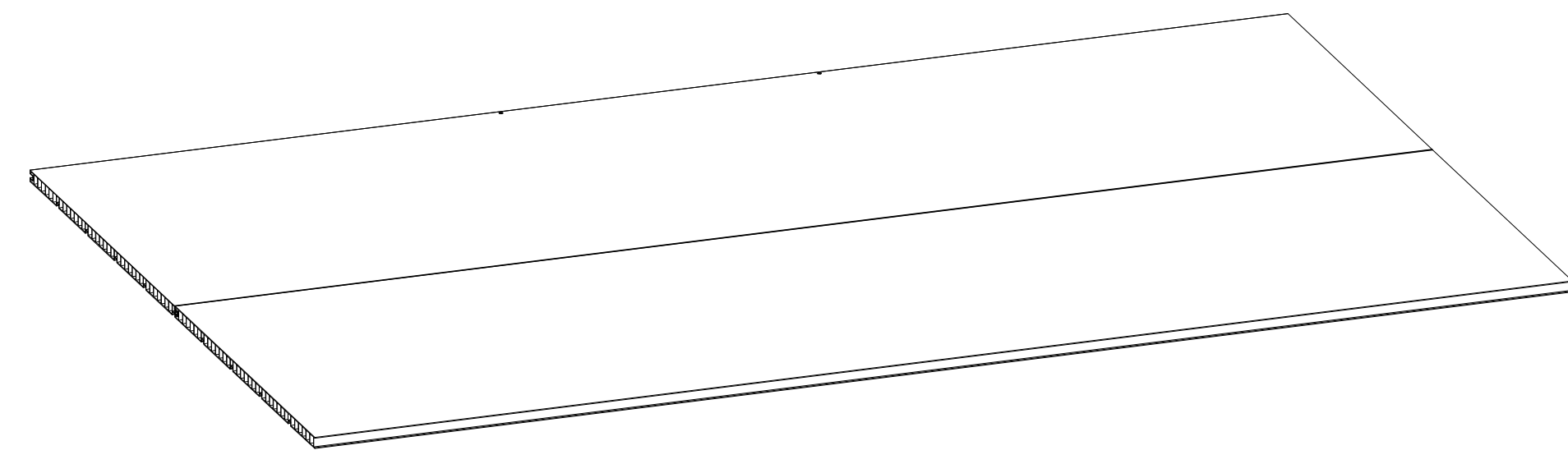


F35-C32 x1

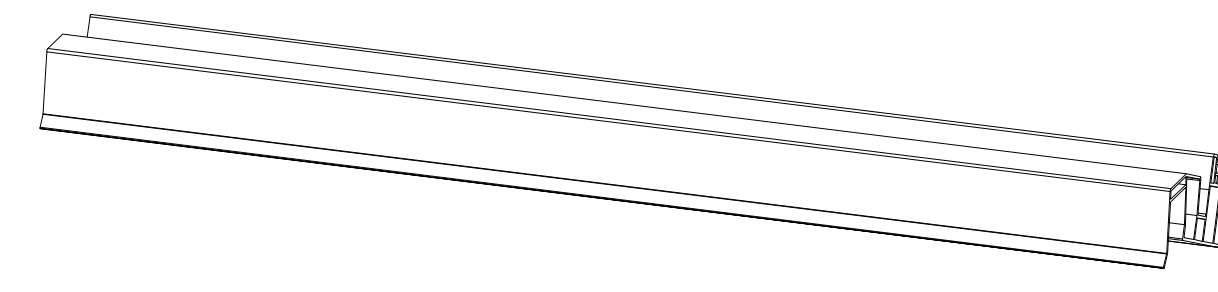


(ST4.2x12)
E02x9

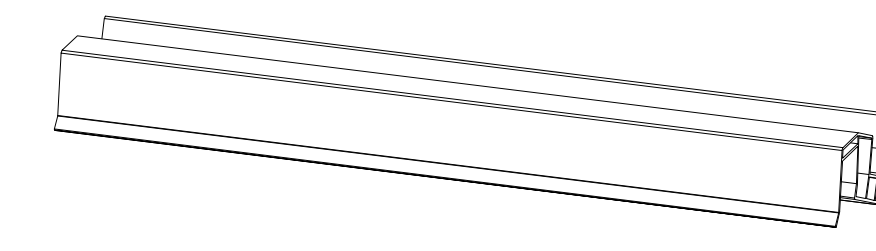




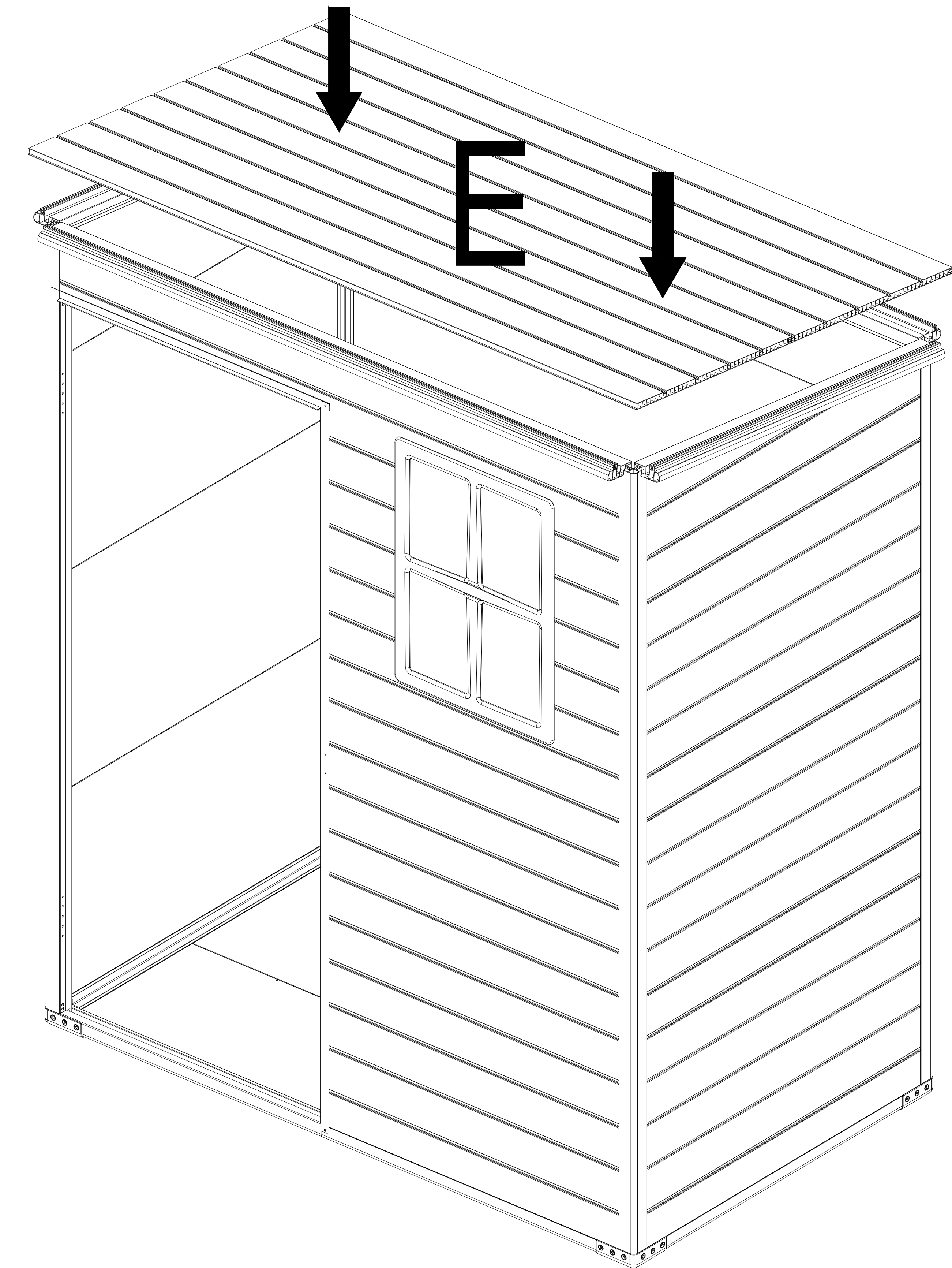
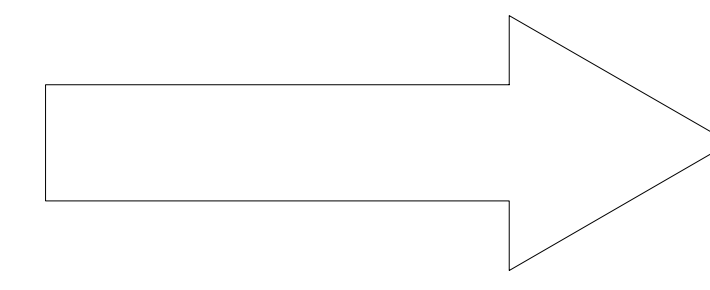
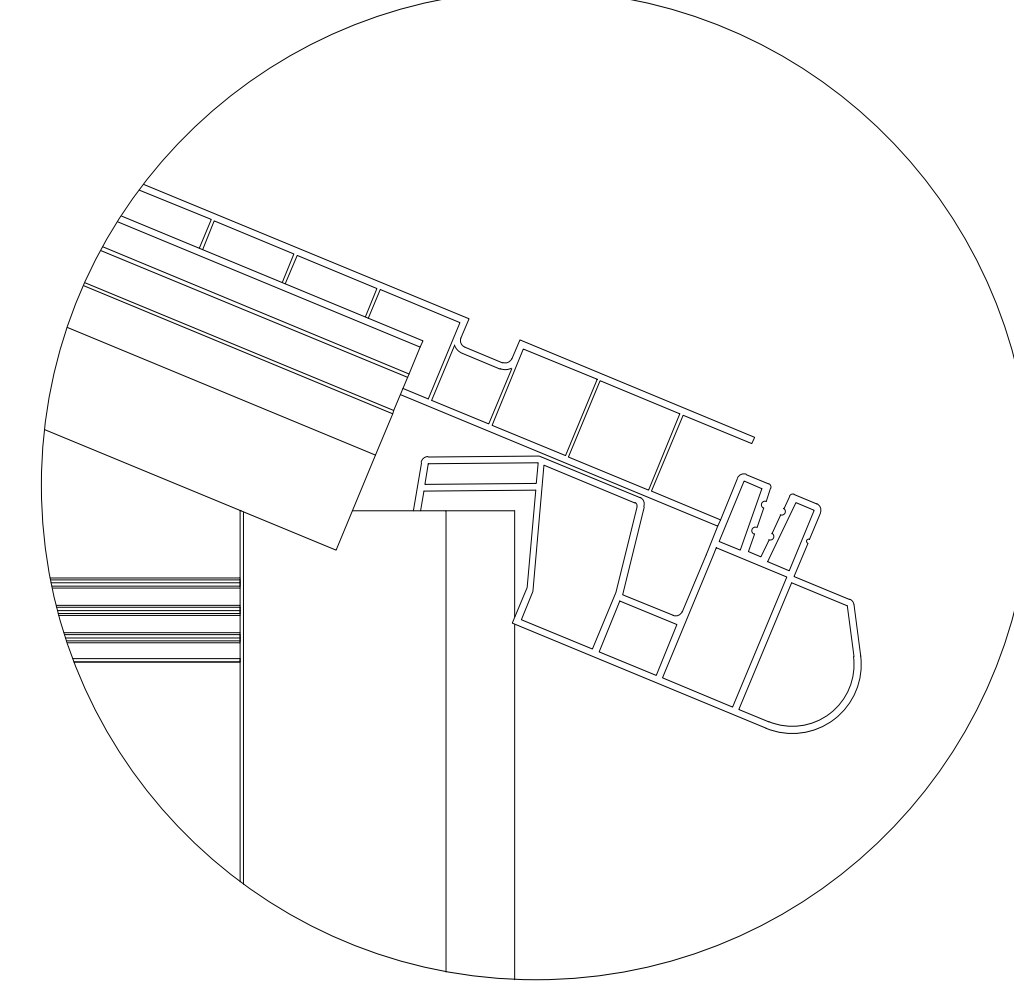
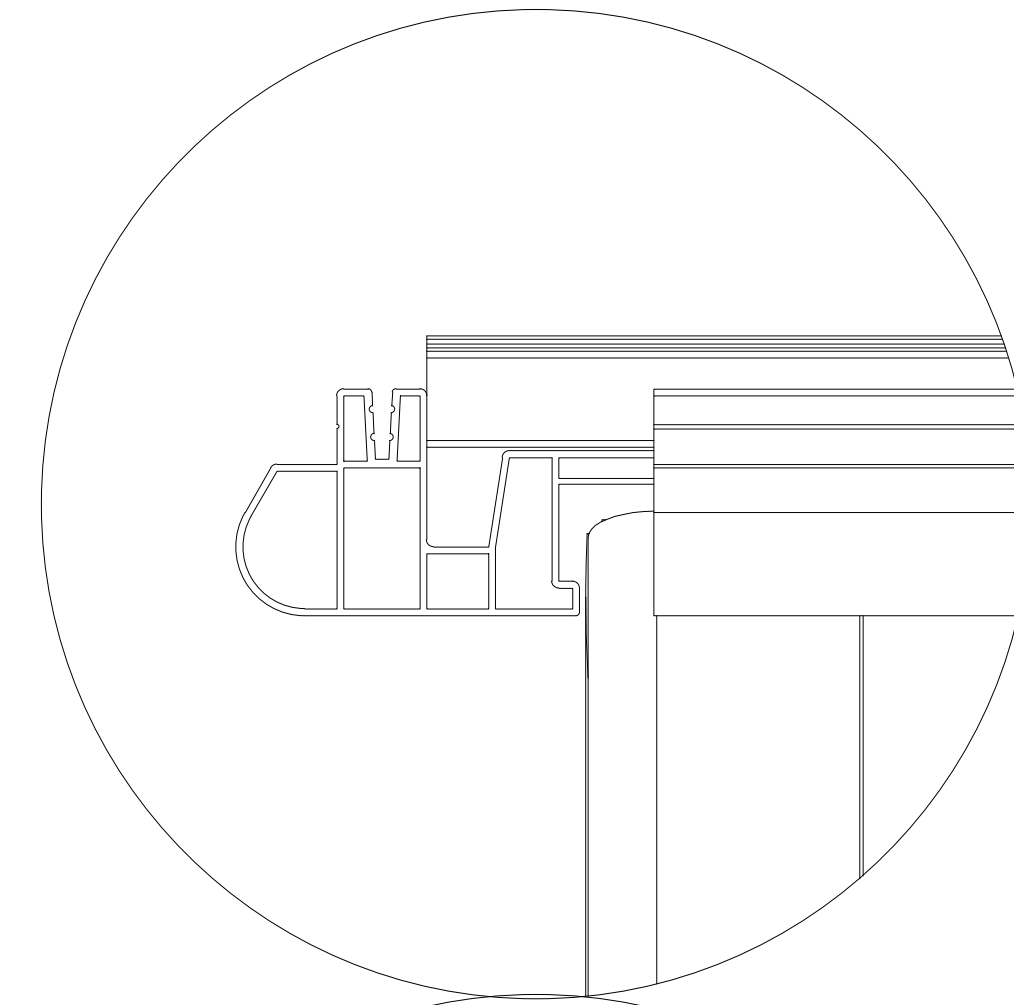
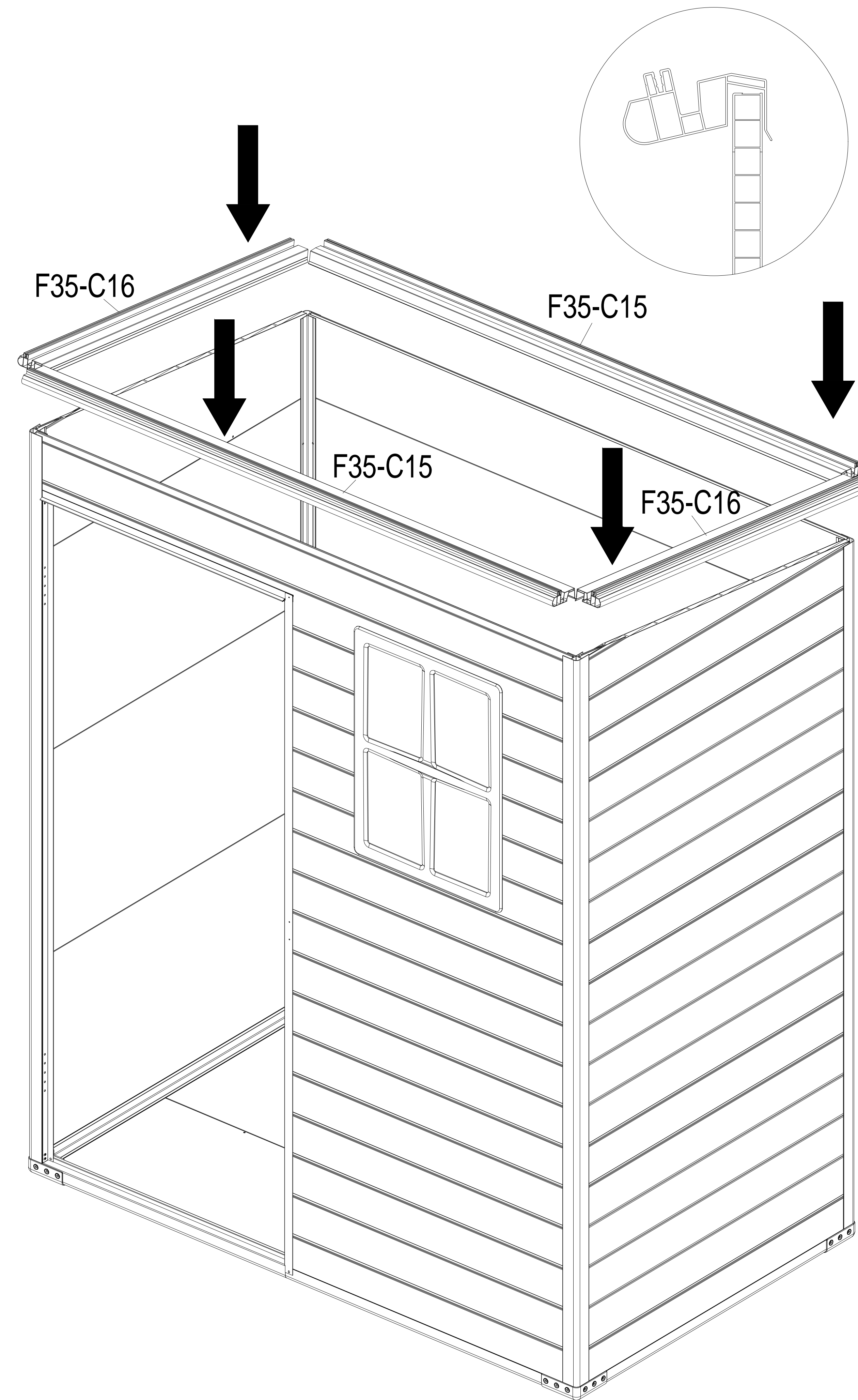
E

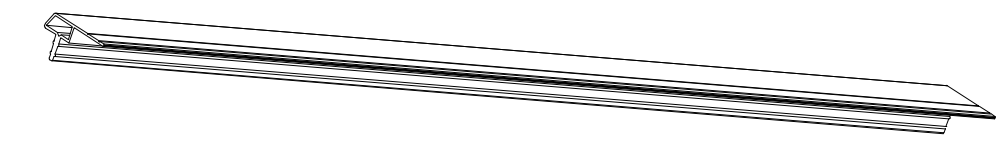


F35-C15 x2



F35-C16 x2

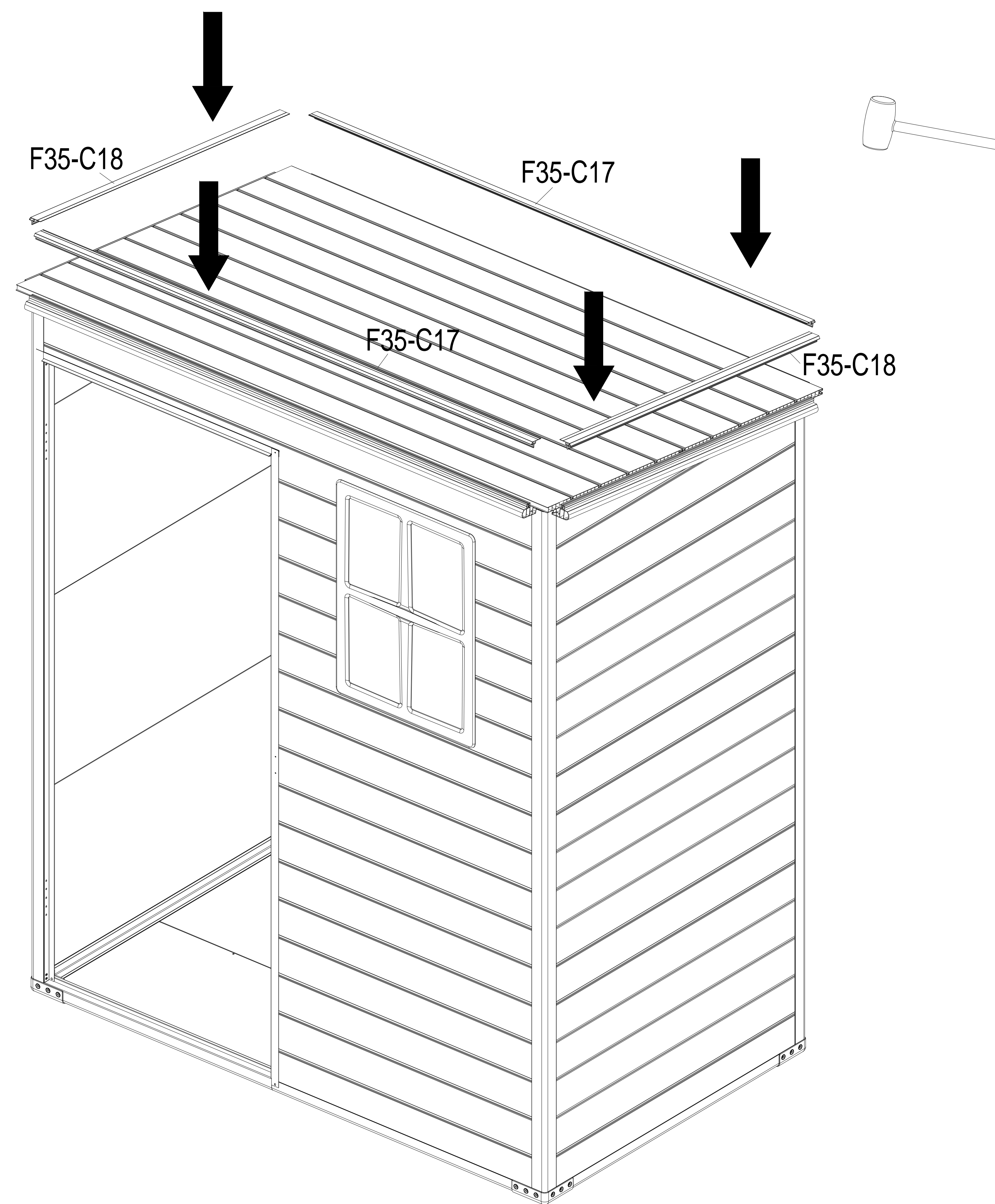


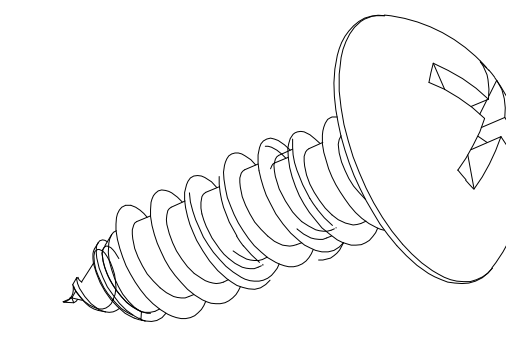


F35-C17 x2

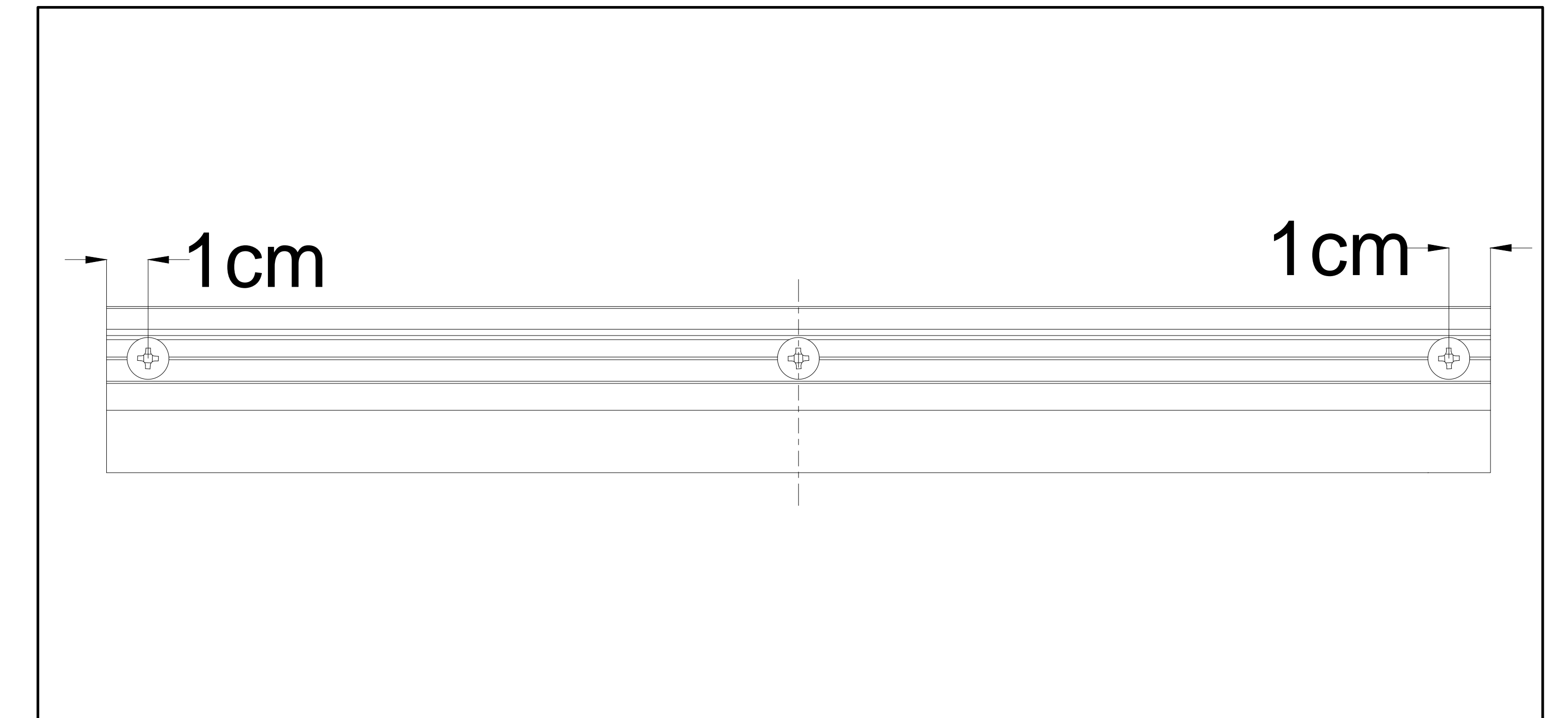
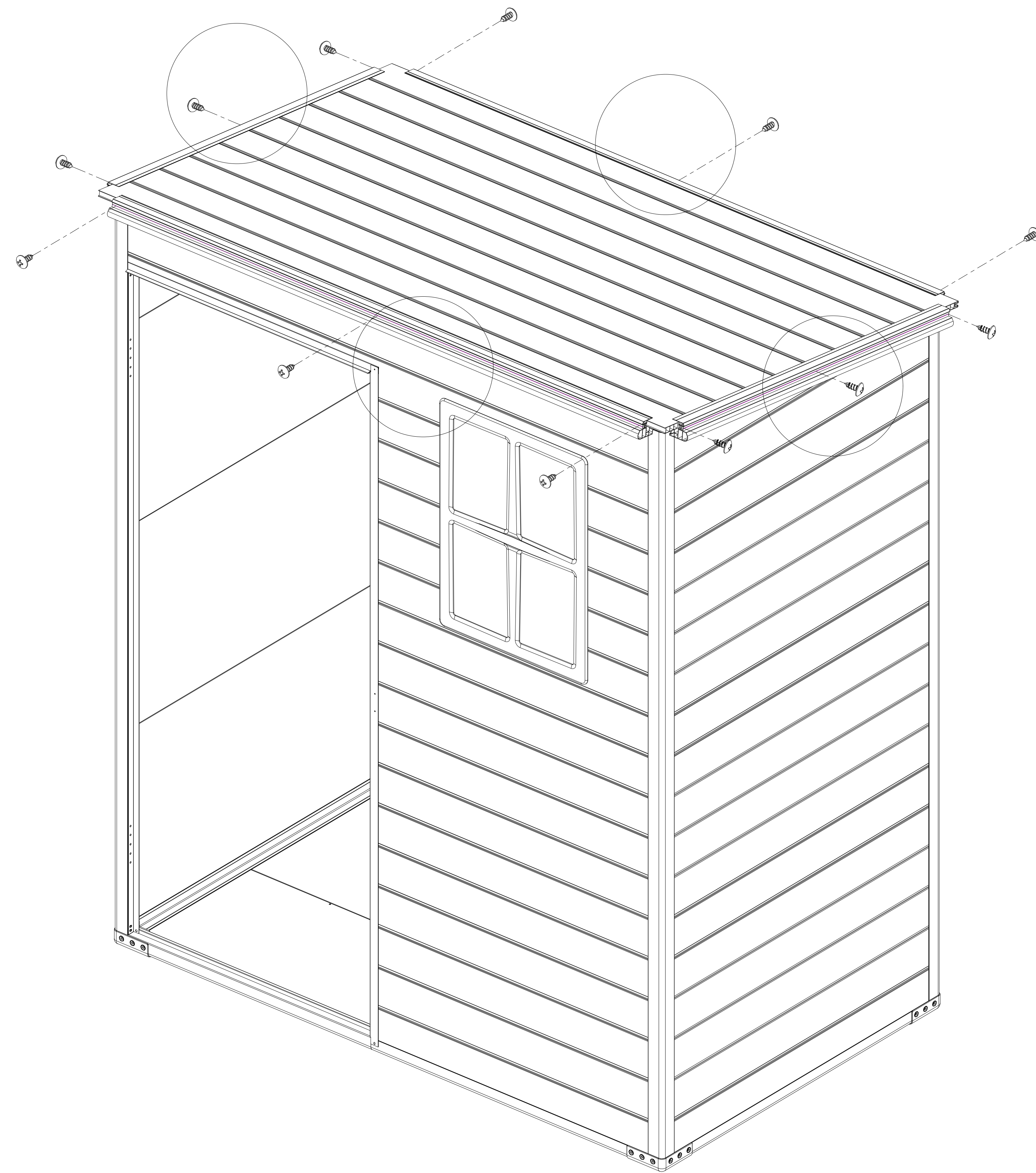


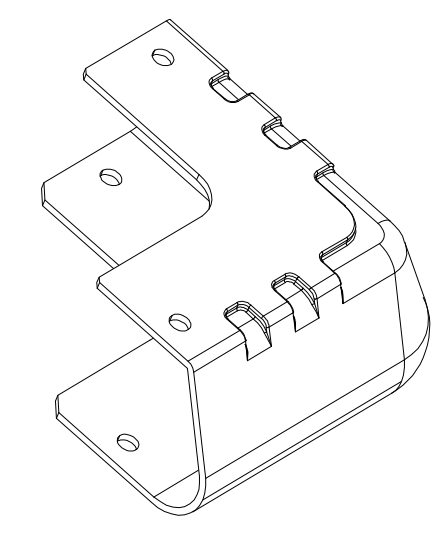
F35-C18 x2



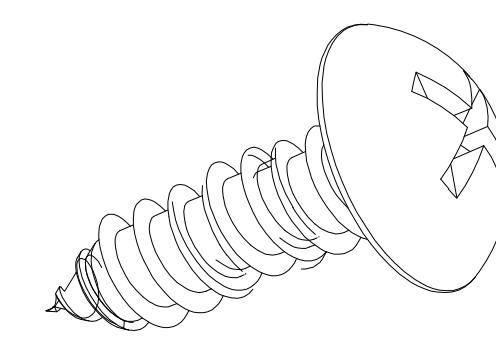


(ST4.2x12)
E02x12

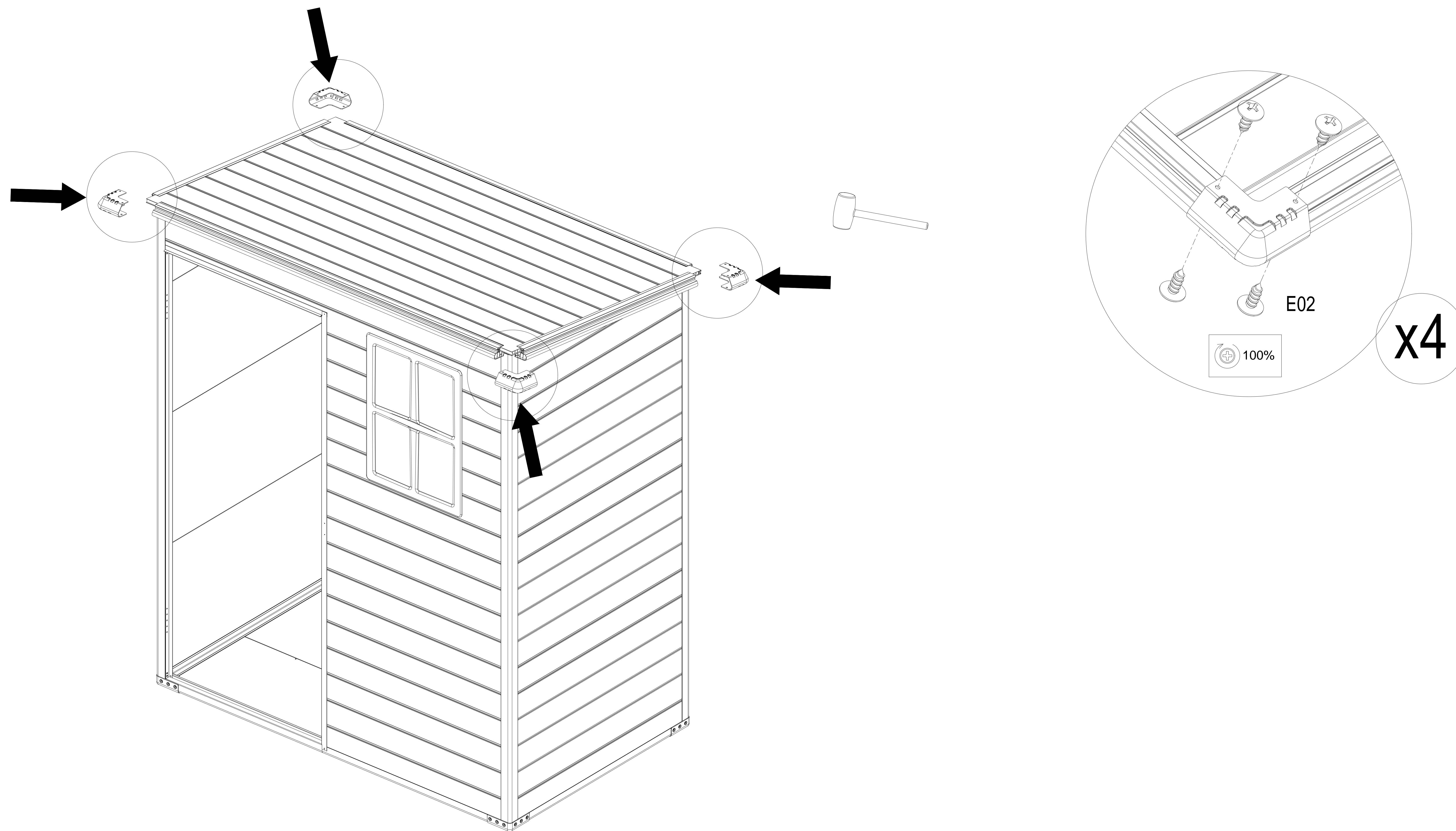


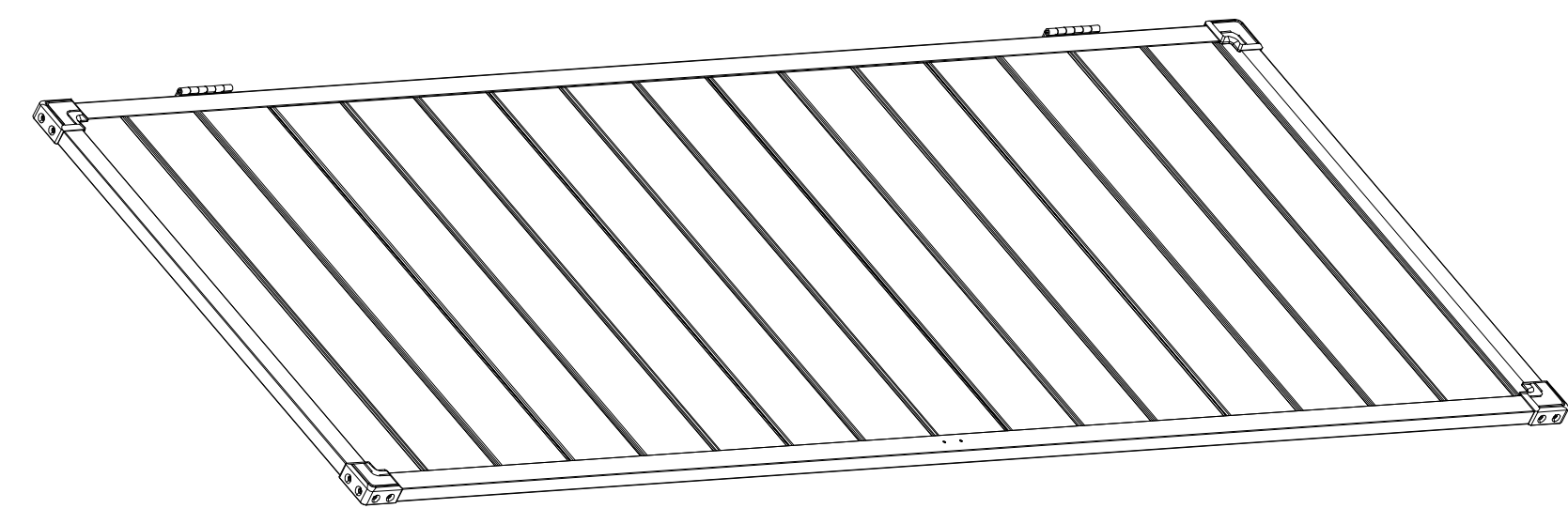


F35-C30 x4

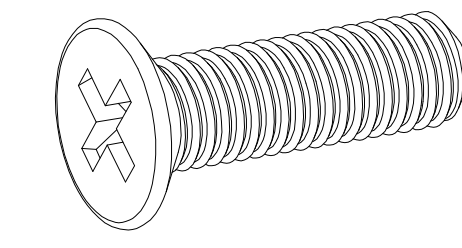


(ST4.2x12)
E02x16

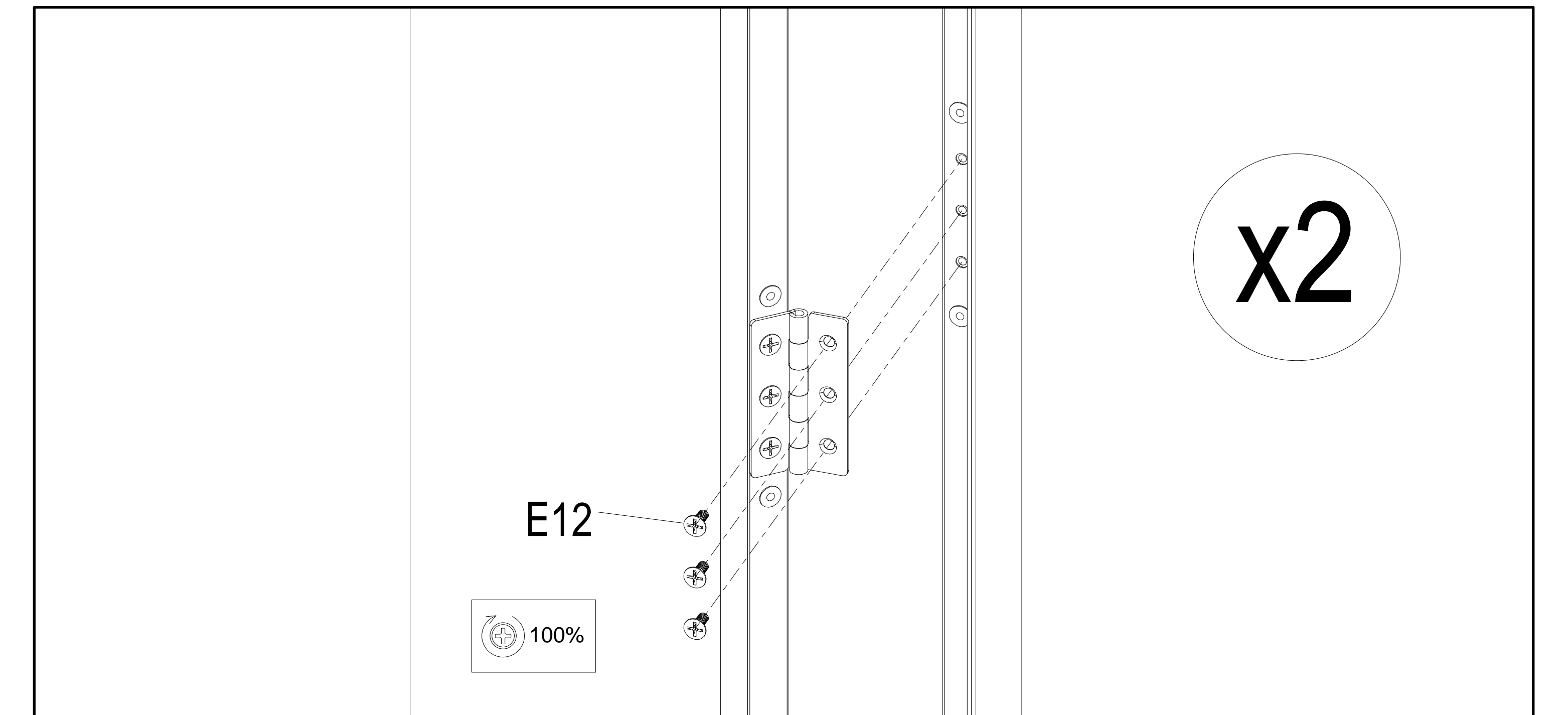
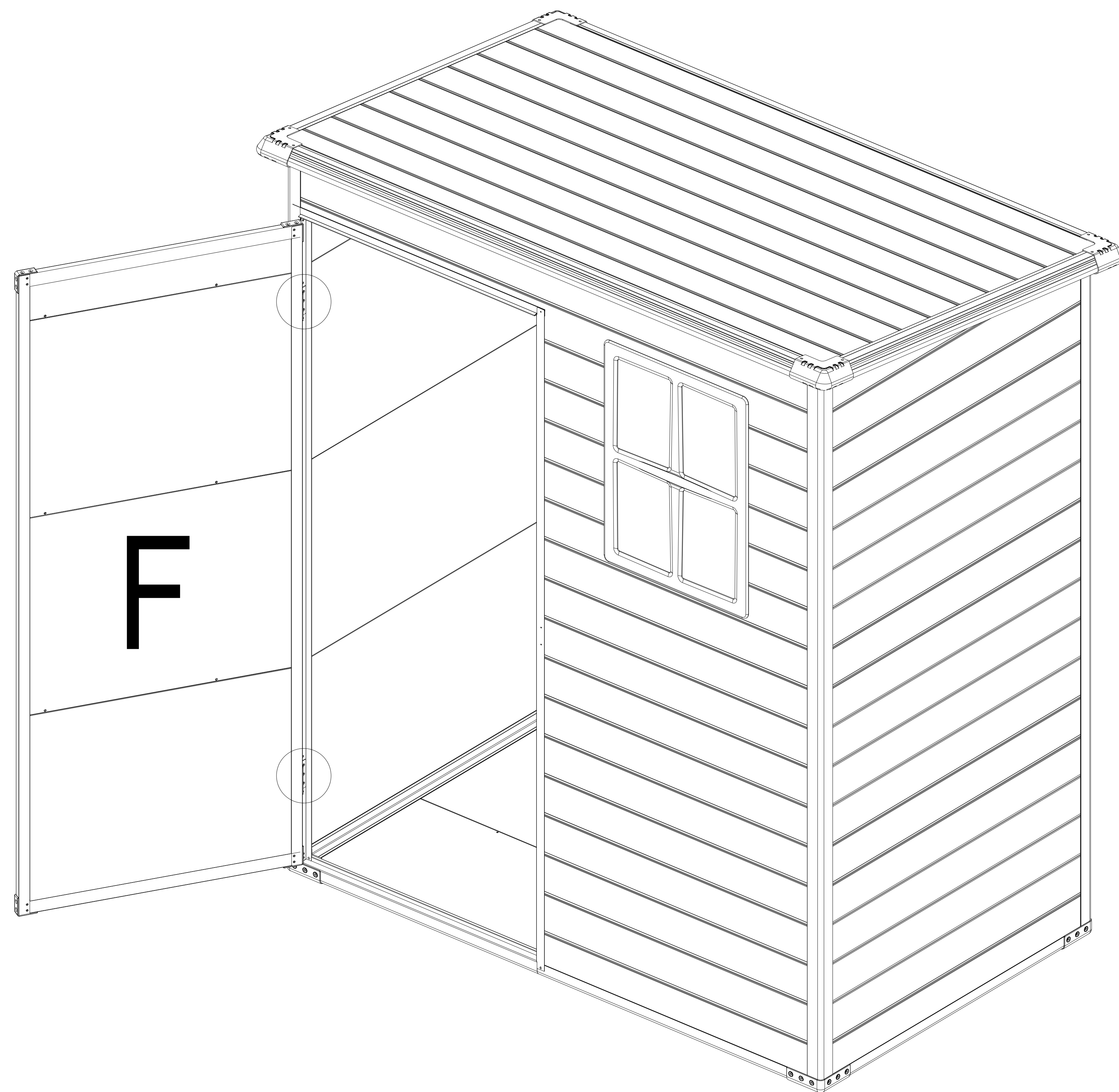


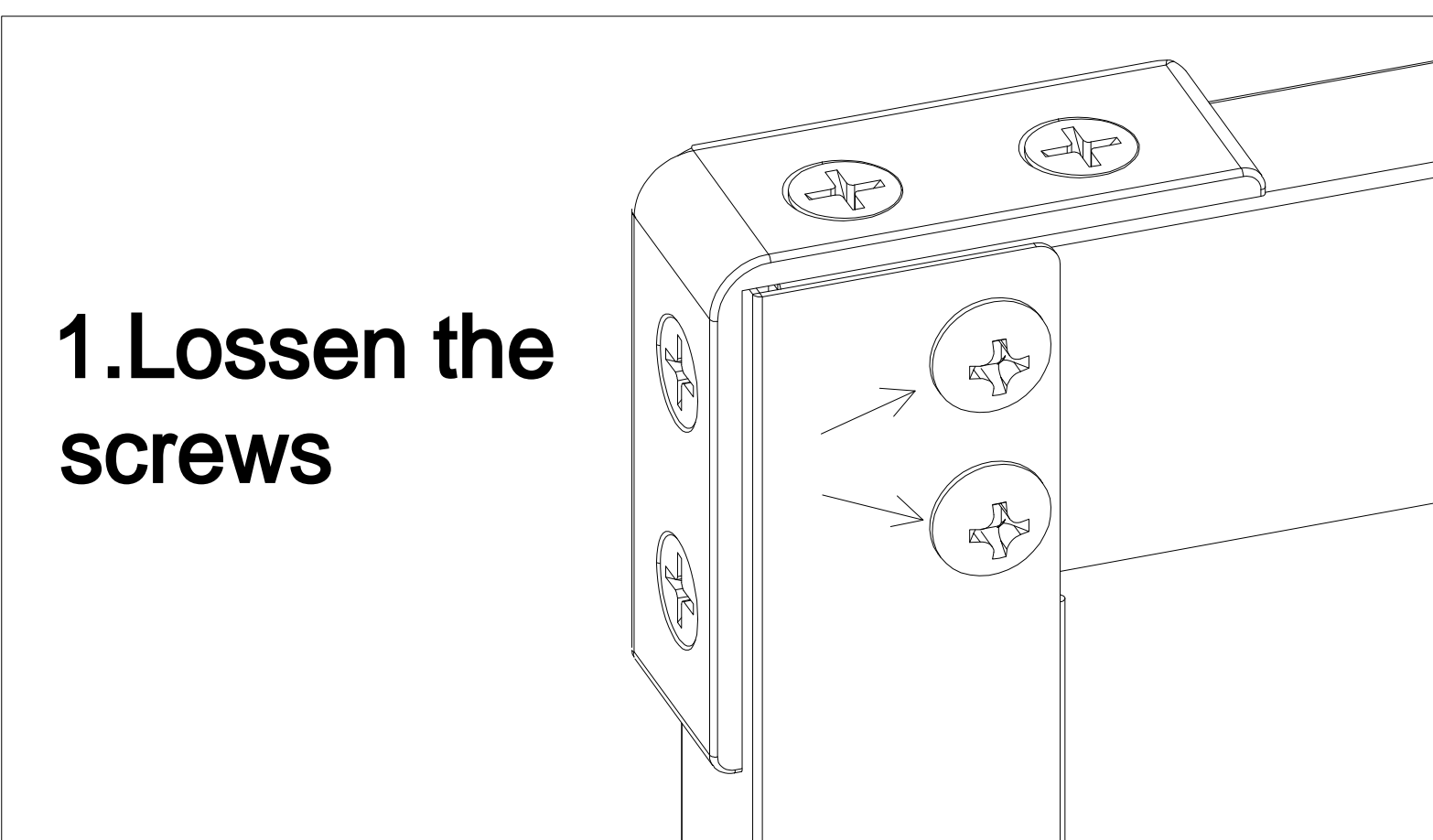


F x1



(M4x10)
E12x6

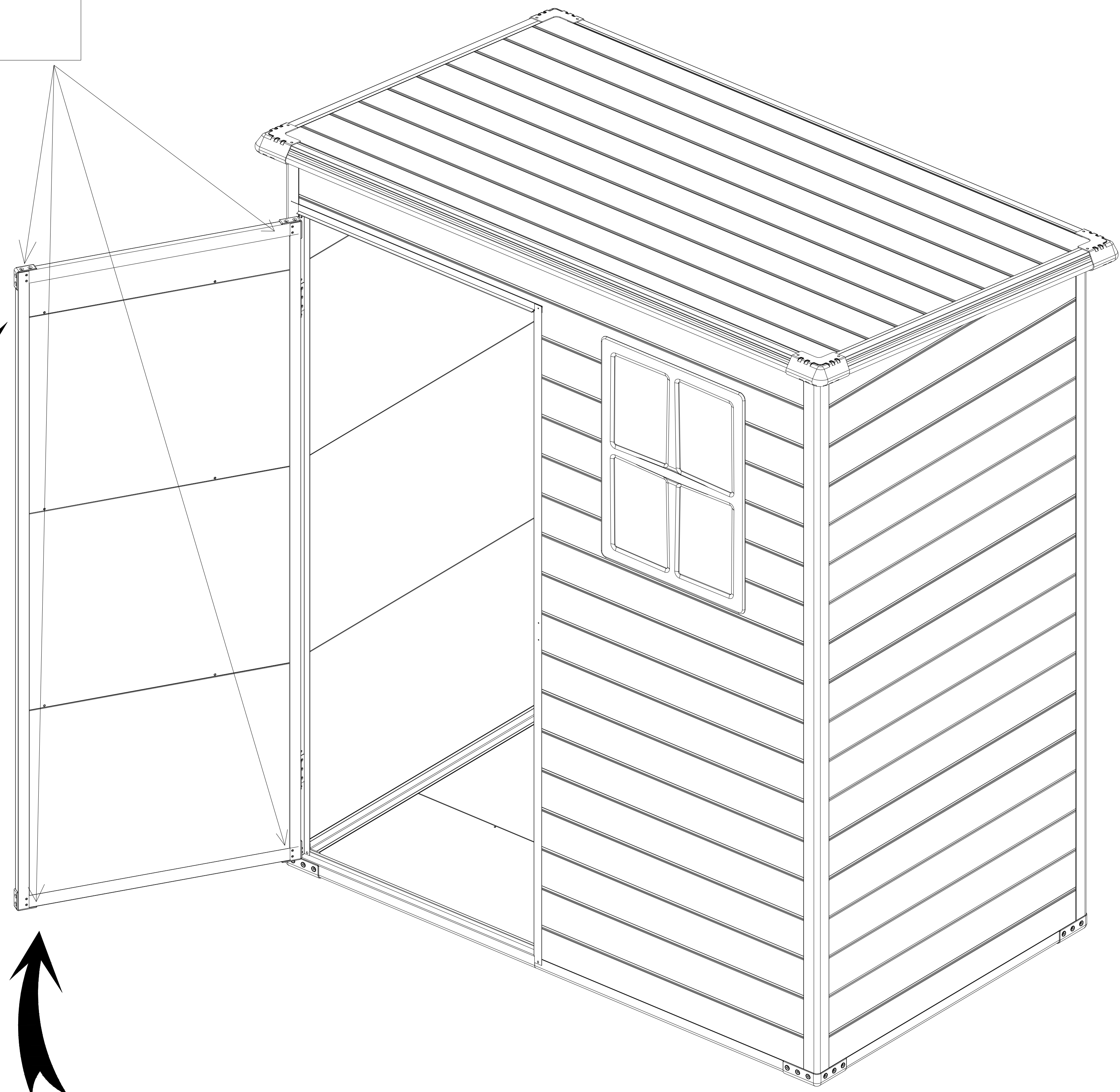


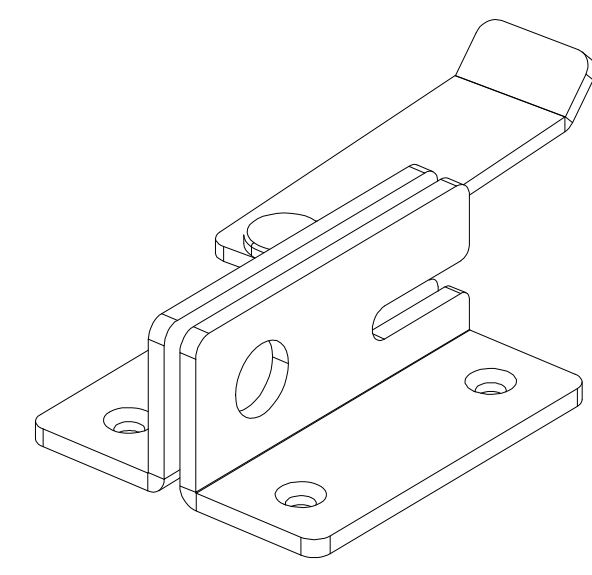


2. If the door corner is tilted upward, press the corner with your hand, pull it upward slightly, and lock screws.

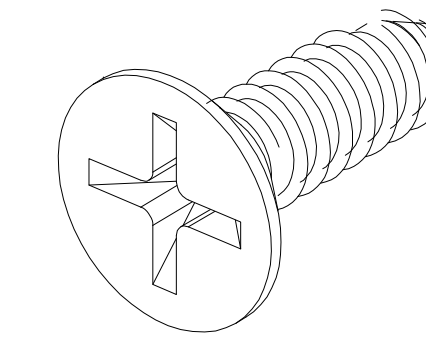
A diagram showing the door corner being tilted upward. A white arrow points to the corner, and a black curved arrow indicates the upward movement. The door is shown in a slightly open position.

3. If the door corner is tilted down, hold the corner with your hand, pull it upward slightly, and lock screws

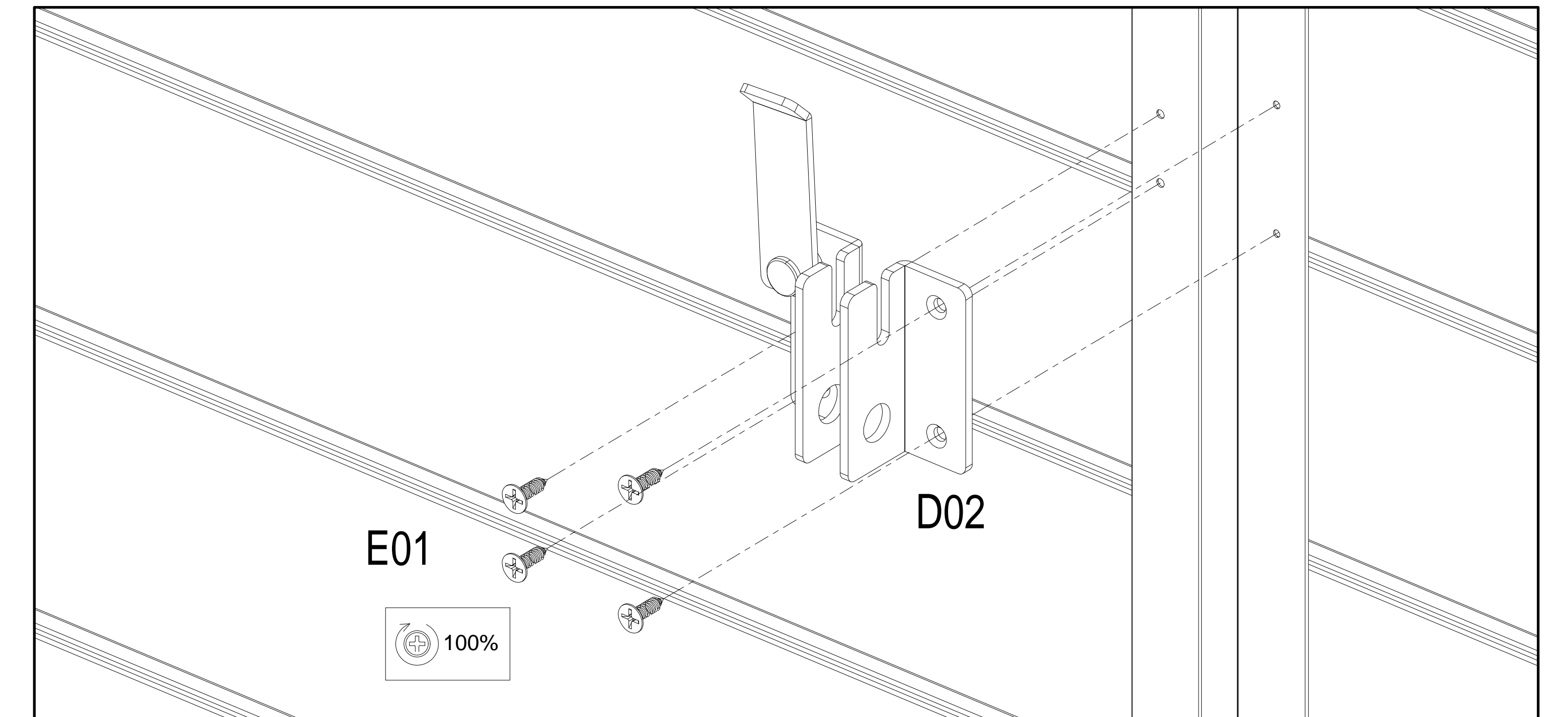
A diagram showing the door corner being tilted downward. A white arrow points to the corner, and a black curved arrow indicates the upward movement. The door is shown in a slightly open position.

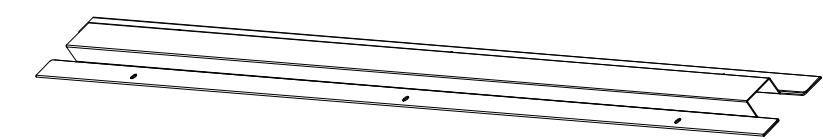


F35-D02 x1

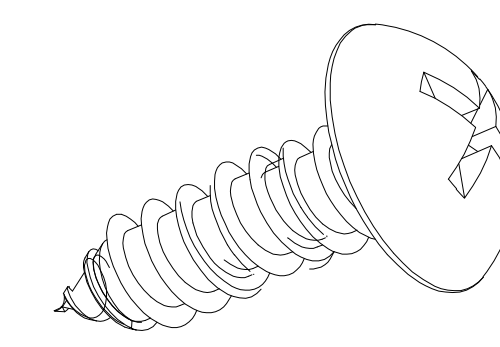


(ST4.2x12)
E01x4



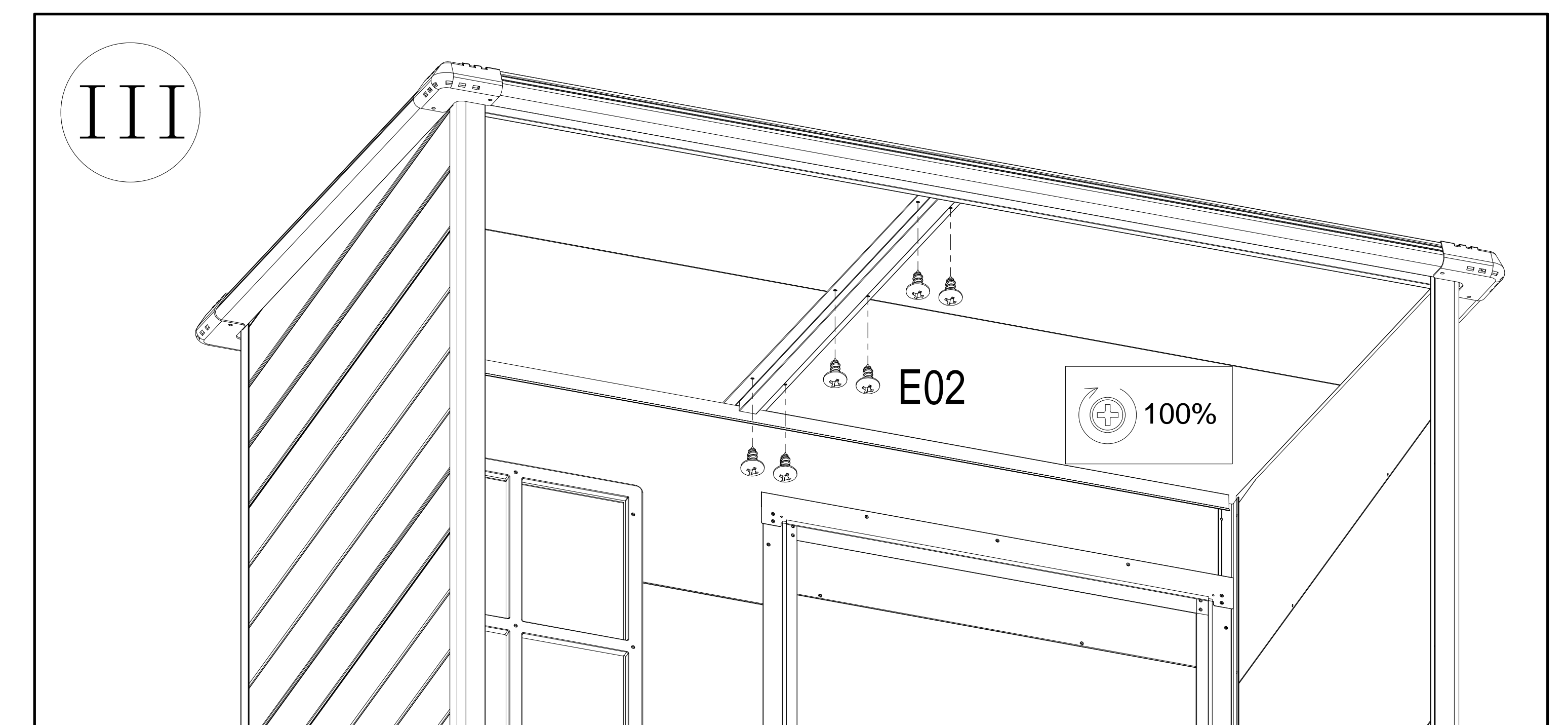
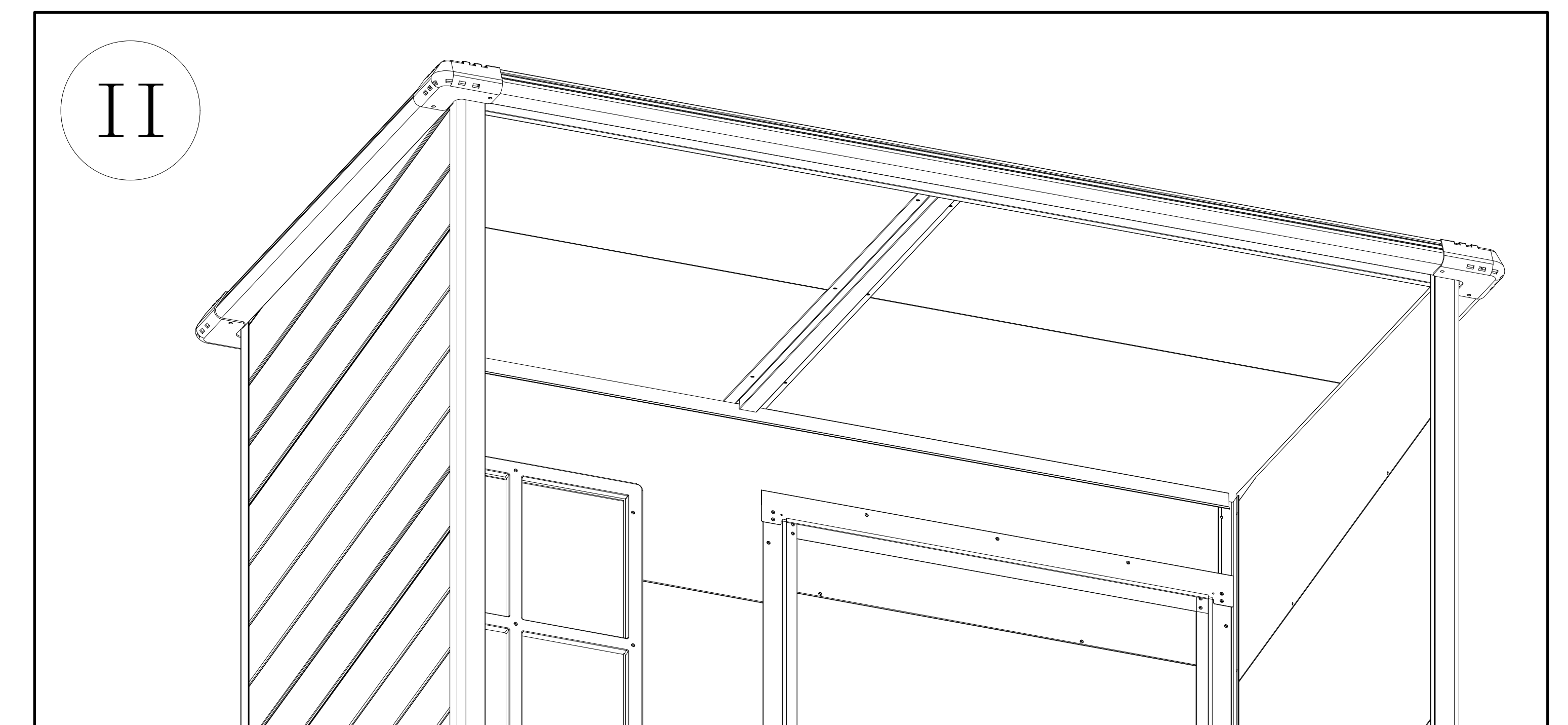
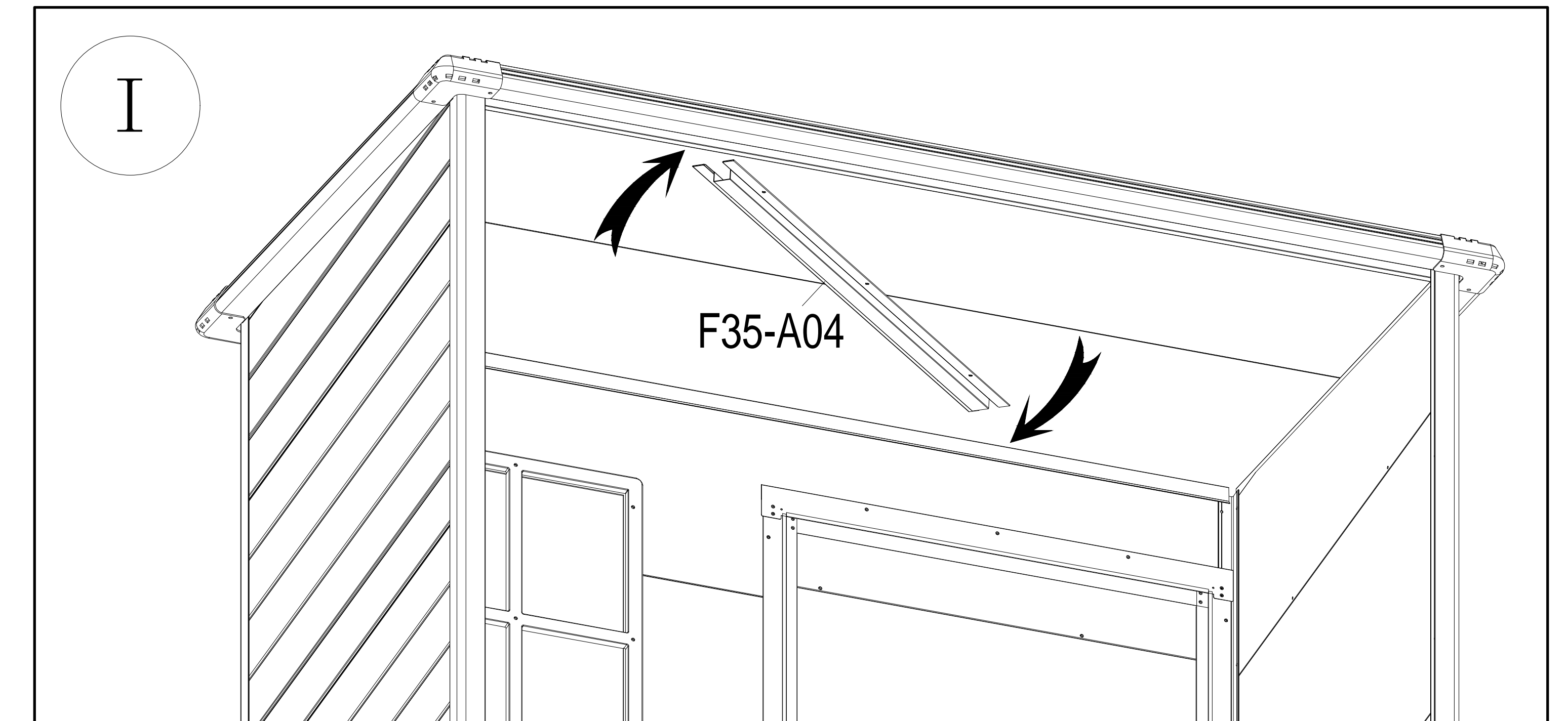
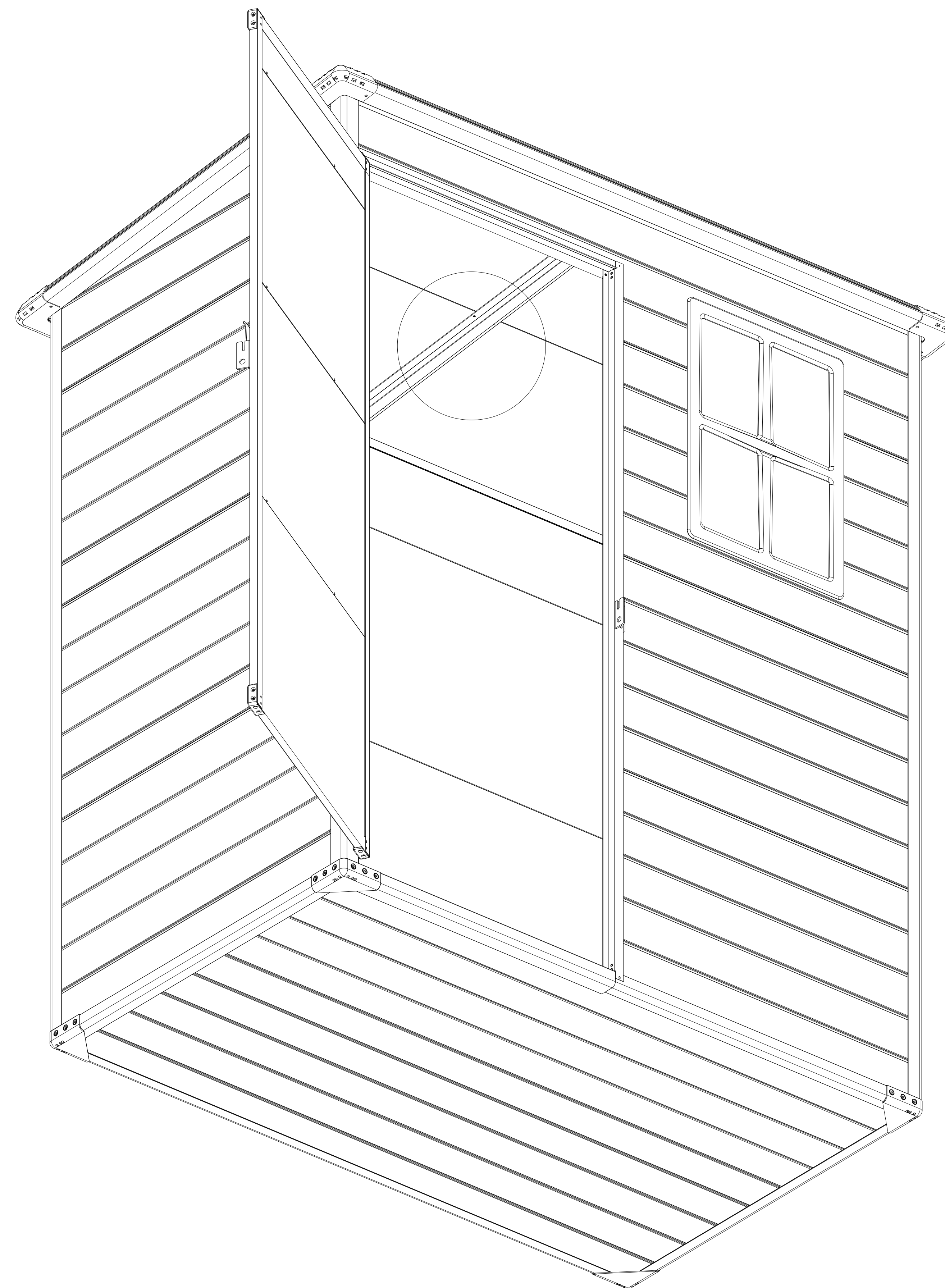


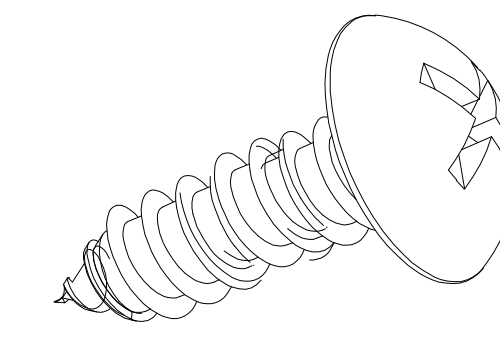
F35-A04 x1



(ST4.2x12)
E02x6

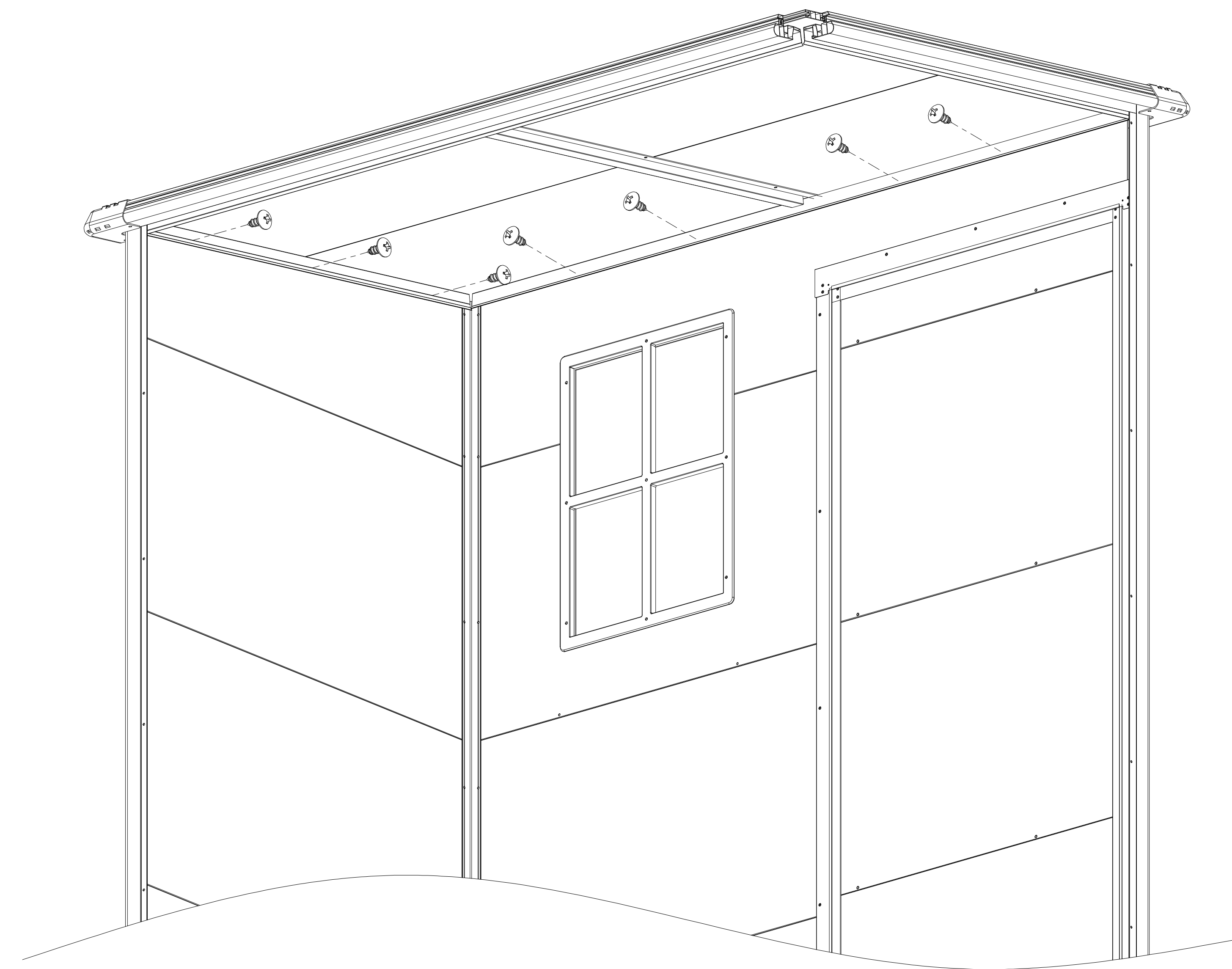
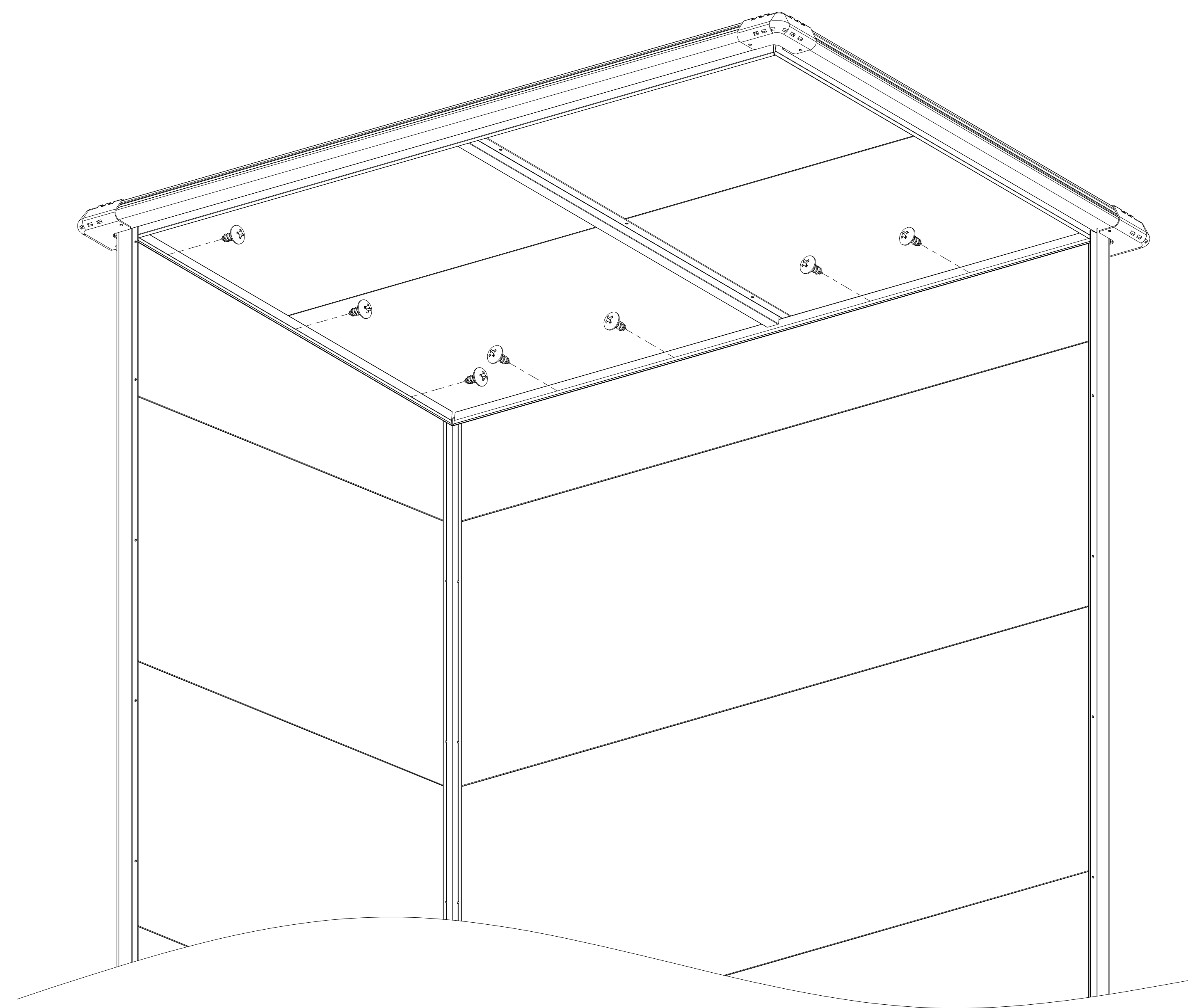
Internal side view

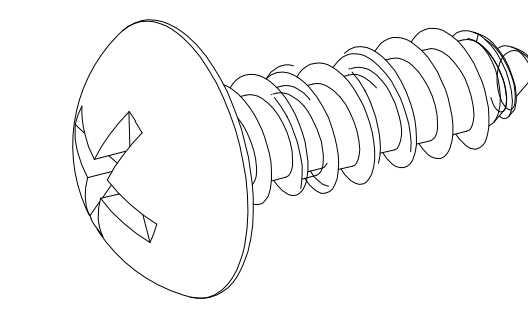




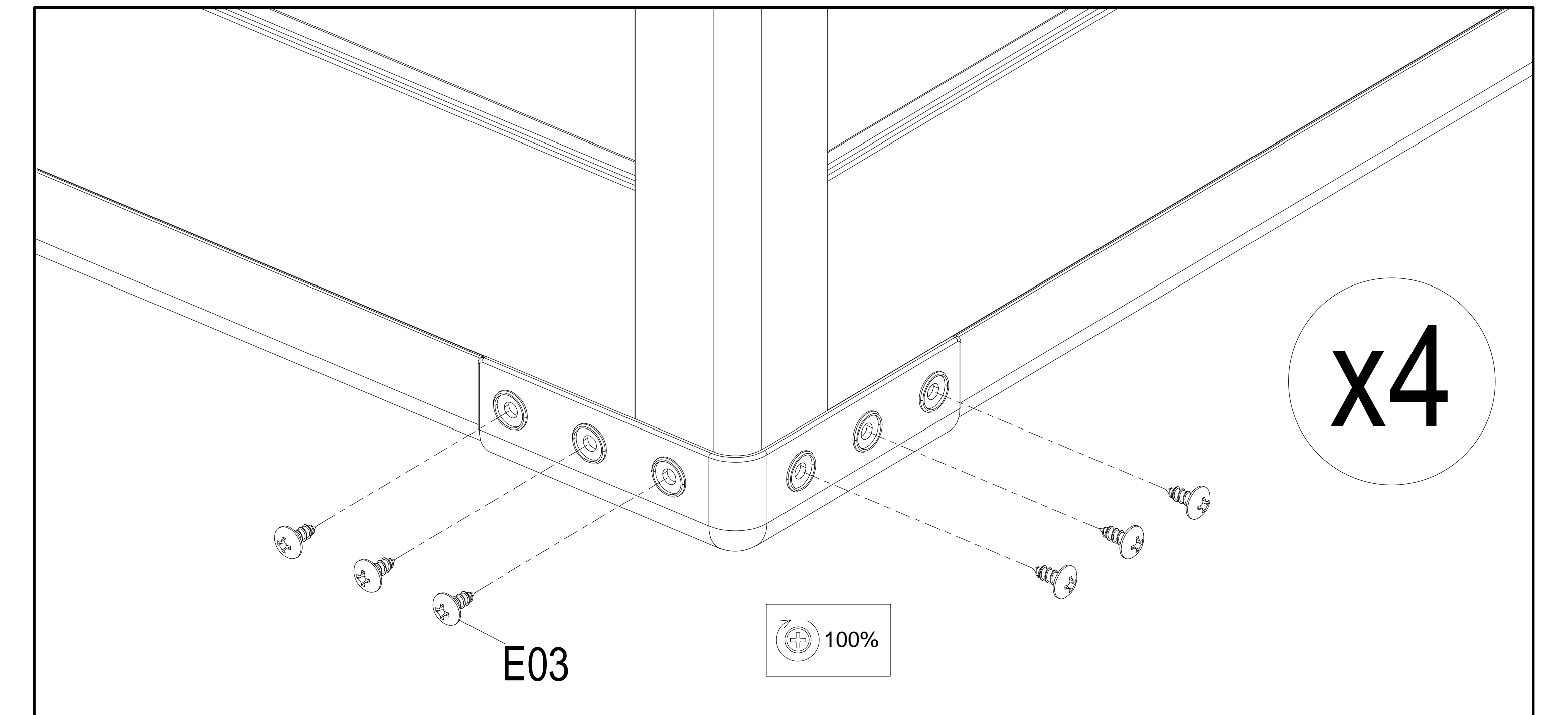
(ST4.2x12)
E02x14

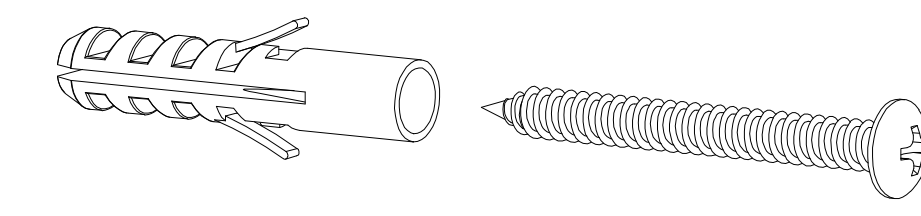
Insternal side view





(ST4.8x19)
E03x24





E04x4

