

ESP71M
3 DOOR - MEGA TOP
SALAD PREP TABLE



Shelves

Wire shelves to maximize storage needs.



Temperature

33-41°F with digital controller. Auto-defrost prevents ice build-up.



Casters

For easy moving around. Front locking to stay put.

TECHNICAL SPECIFICATIONS

Voltage/Frequency 110V/60Hz	Temperature Range °F 33 - 41°F
Compressor Power (HP) 1/4	Refrigerant R290
Interior Material Stainless Steel	NEMA Config. NEMAS-15P
Exterior Material Stainless Steel	

- Back mount compressor for easy servicing and cleaning.
- 6" deep 1/6 plastic pan included.
- R290 Propane Refrigerant recommended for restaurants and businesses by the EPA.
- Self-closing doors with click-to-stay open.



* Limited 1-year parts and labor warranty for commercial use only. Warranty null and void if used and installed in residential homes or garages.

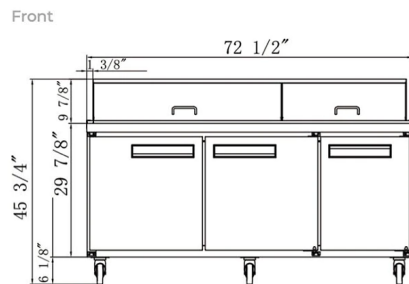
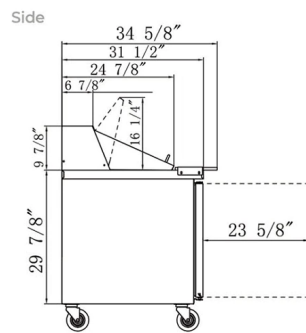
CONTACT US

310-400-6395

INFO@ELITEKITCHEN.US
WWW.ELITEKITCHEN.US

MODEL ESP71M

DETAILS & SPECIFICATIONS



Rated Voltage	110V
Rated Frequency	60Hz
Total Input Power	380W
Total Current	3.4A
Total Capacity	17.58 cu ft
Climatic Category	4-5
Protection Type	I
Design Pressure High Side	300 PSIG
Design Pressure Low Side	150 PSIG
Insulation Blowing Gas	C-Pentane
Refrigerant	R290/4.41 oz
Cutting Board Size	72x9

ESP71M

External Dimension	72 1/4 x 31 1/2 x 44
Packaging Dimension	76 3/4 x 35 7/8 x 48 3/8
Product Weight	453 lbs
# of Shelves	3
40HQ Container Cert.	26

* Measurements presented in pounds and inches



NOTICE

For business and commercial use only. Not for use in residential homes, basements, or garages.



310-400-6395
INFO@ELITEKITCHEN.US
WWW.ELITEKITCHEN.US