

## TAYLOR 31" CENTER SINK CABINET

# ARIEL

Q031S



### BASE CABINET DIMENSIONS

30" W x 21.75" D x 34.5" H

### FEATURES

- Solid wood frame & plywood panels
- Dovetail drawers and joints
- Soft closing doors & drawers

### HARDWARE FINISHES



Satin Nickel



Satin Brass



Satin Black

### AVAILABLE COLORS



White



Grey

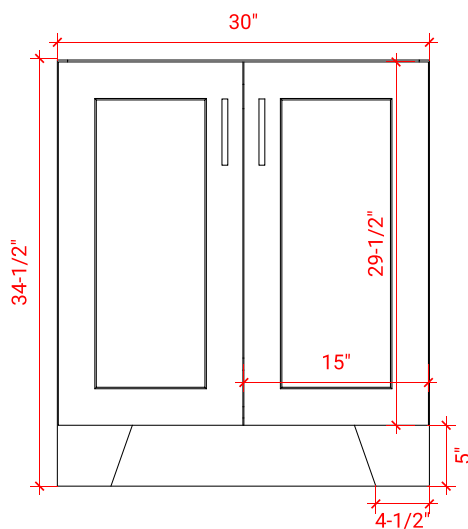


Espresso

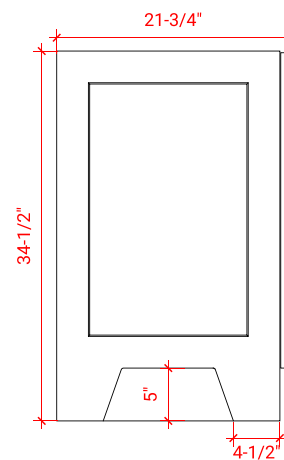


Midnight Blue

FRONT VIEW



SIDE VIEW



PLAN VIEW

