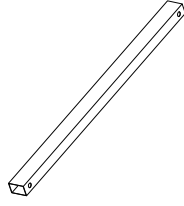


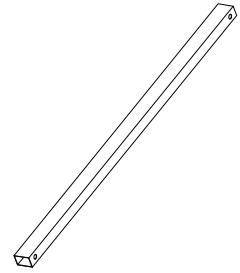
**A×4pcs**



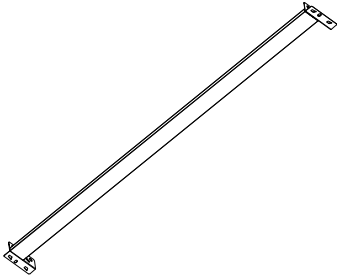
**B×6pcs**



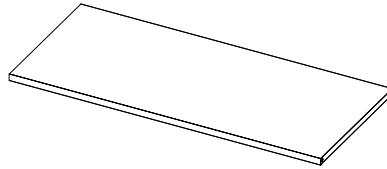
**C×4pcs**



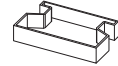
**D×8pcs**



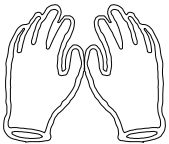
**E×8pcs**



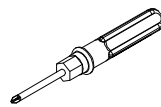
**F×8pcs**



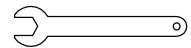
**a×1pcs**



**b×1pcs**



**c×1pcs**



**d×20pcs**



**e×20pcs**

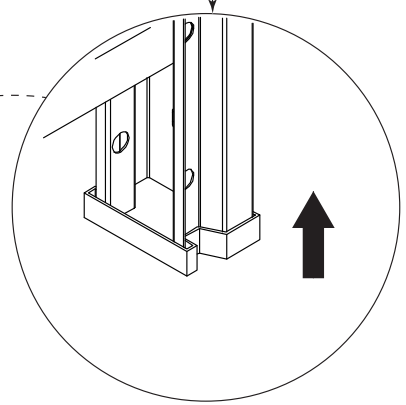
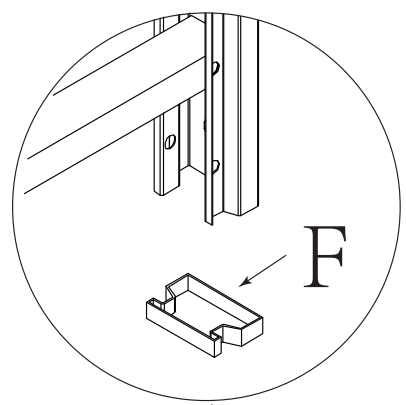
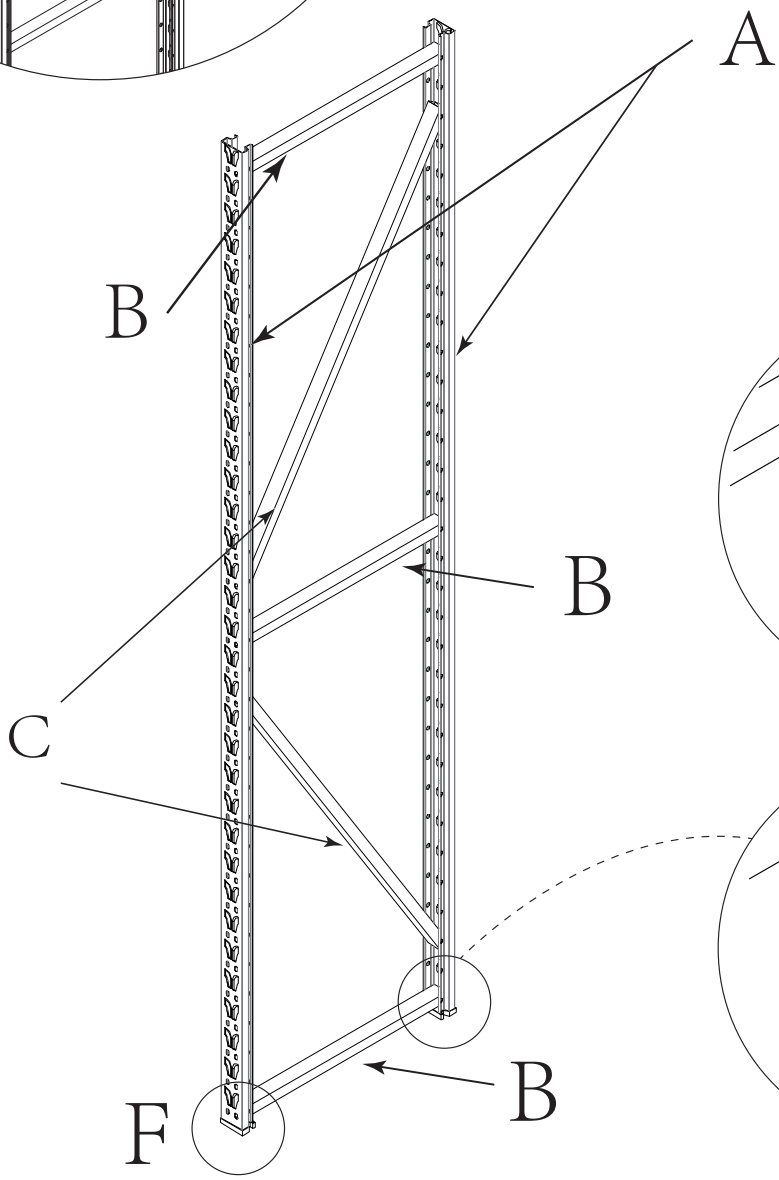
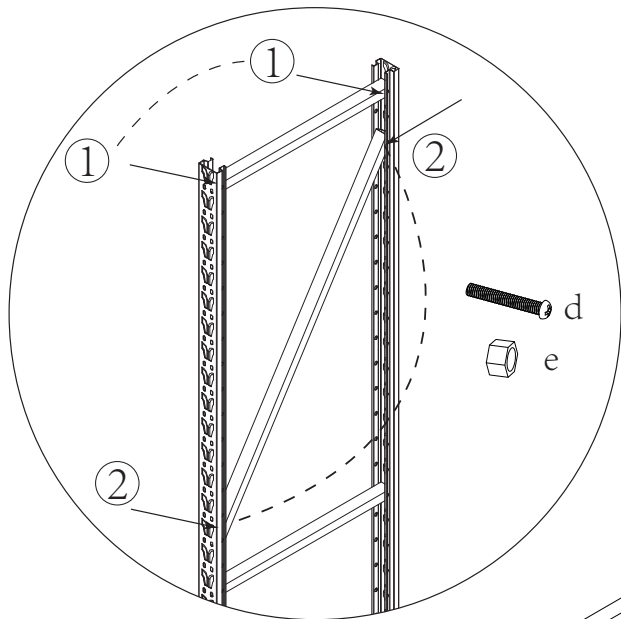


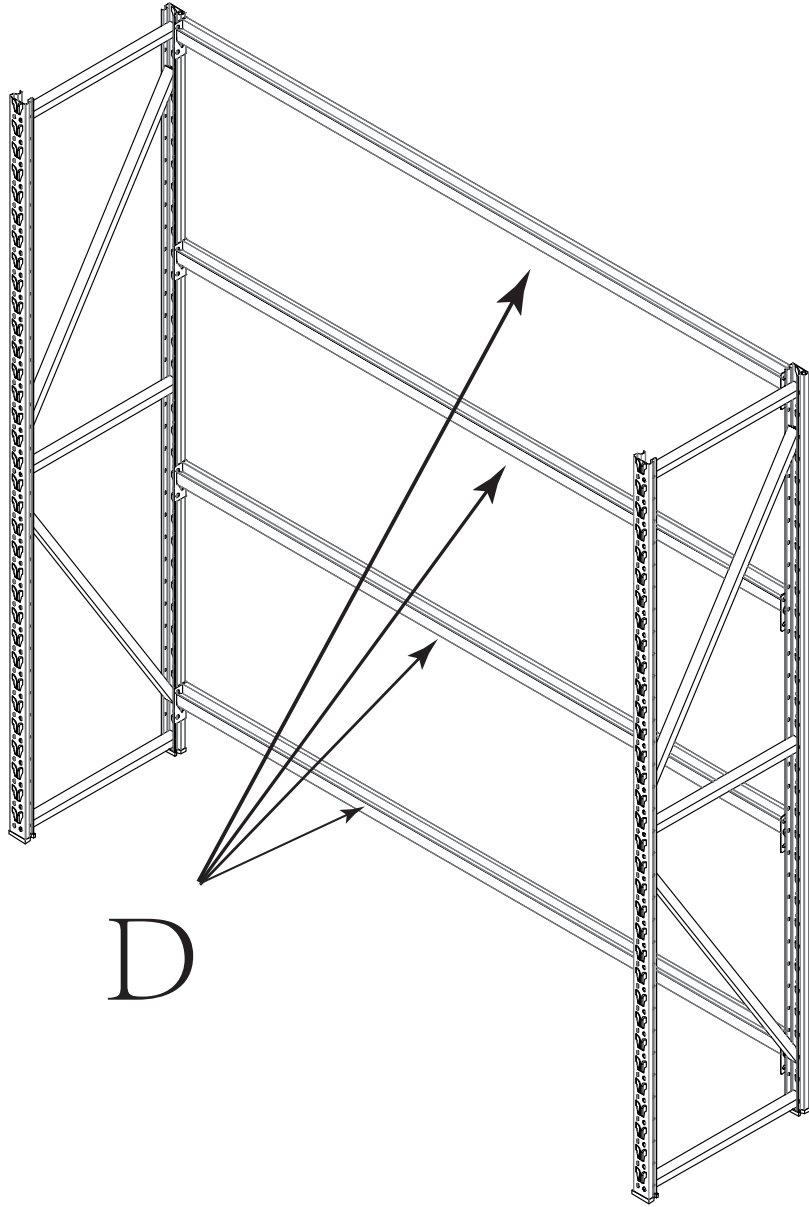
**f×16pcs**



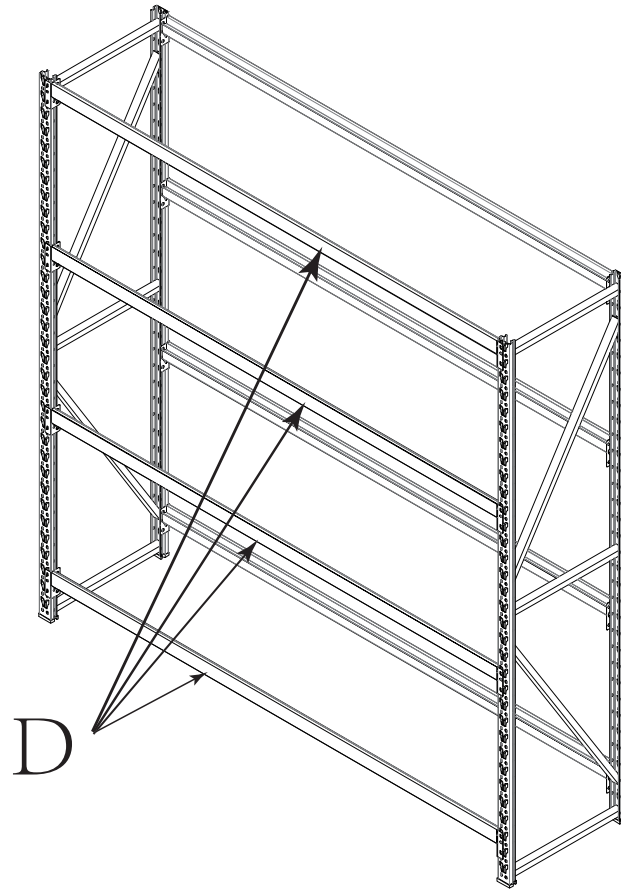
1

During installation, peel off the numbered stickers on the A-pillar and use the included accessories (d) and (e) to connect components with matching numbers. Connect number 1 to number 1, number 2 to number 2, and so on.

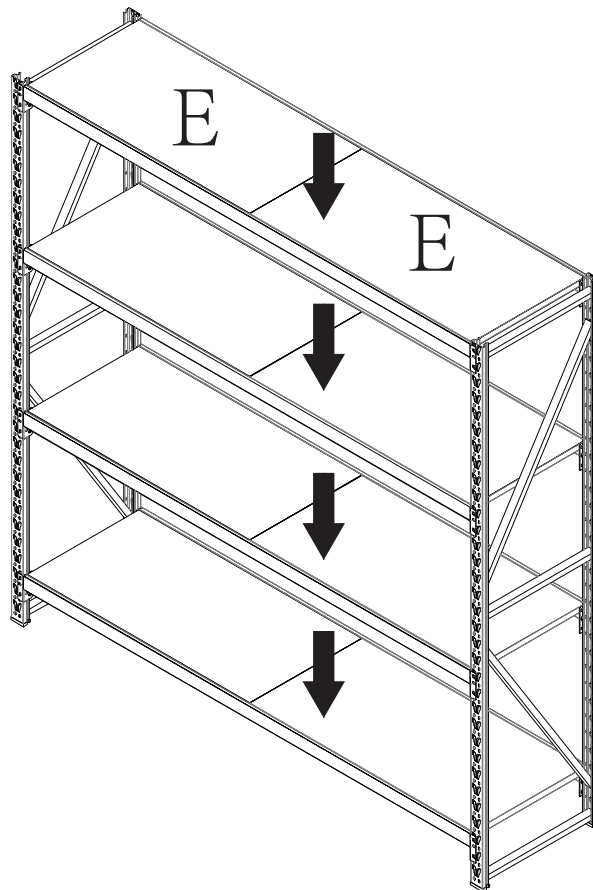




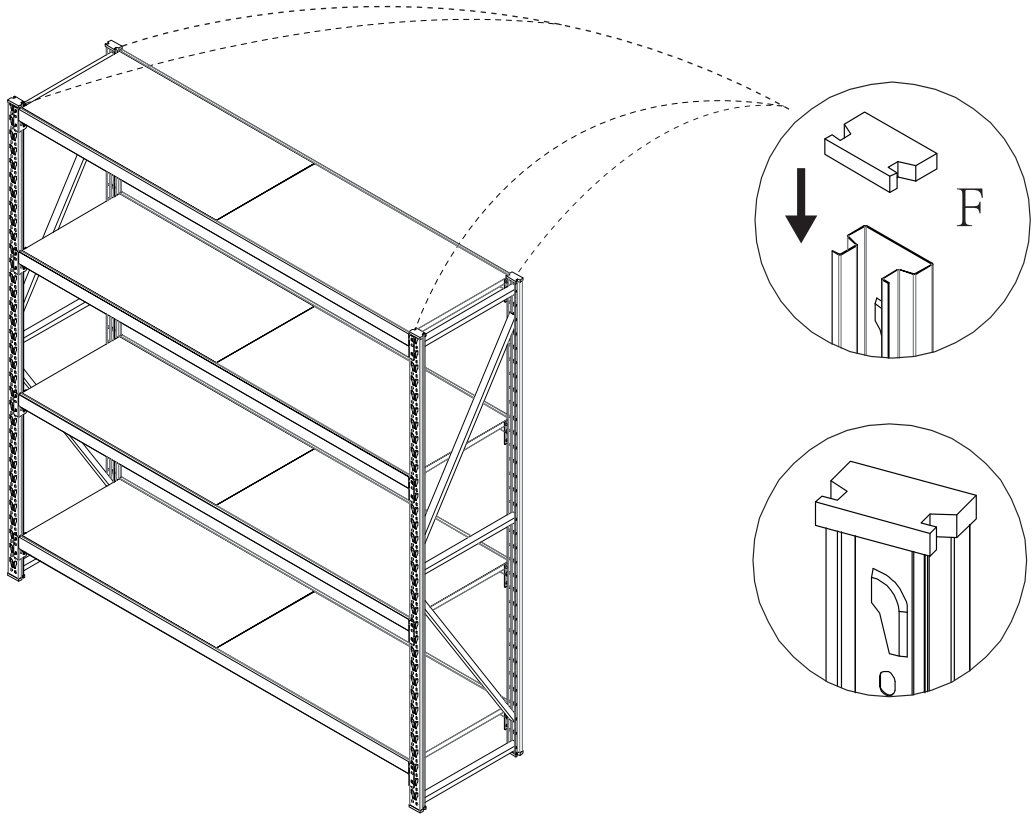
3



4



5



6

Attachment ( f ) is used to secure the crossbeams on each layers

