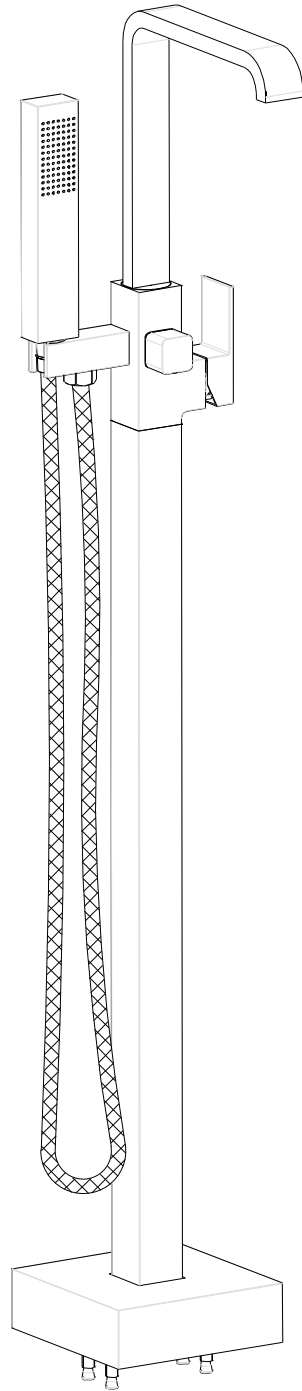


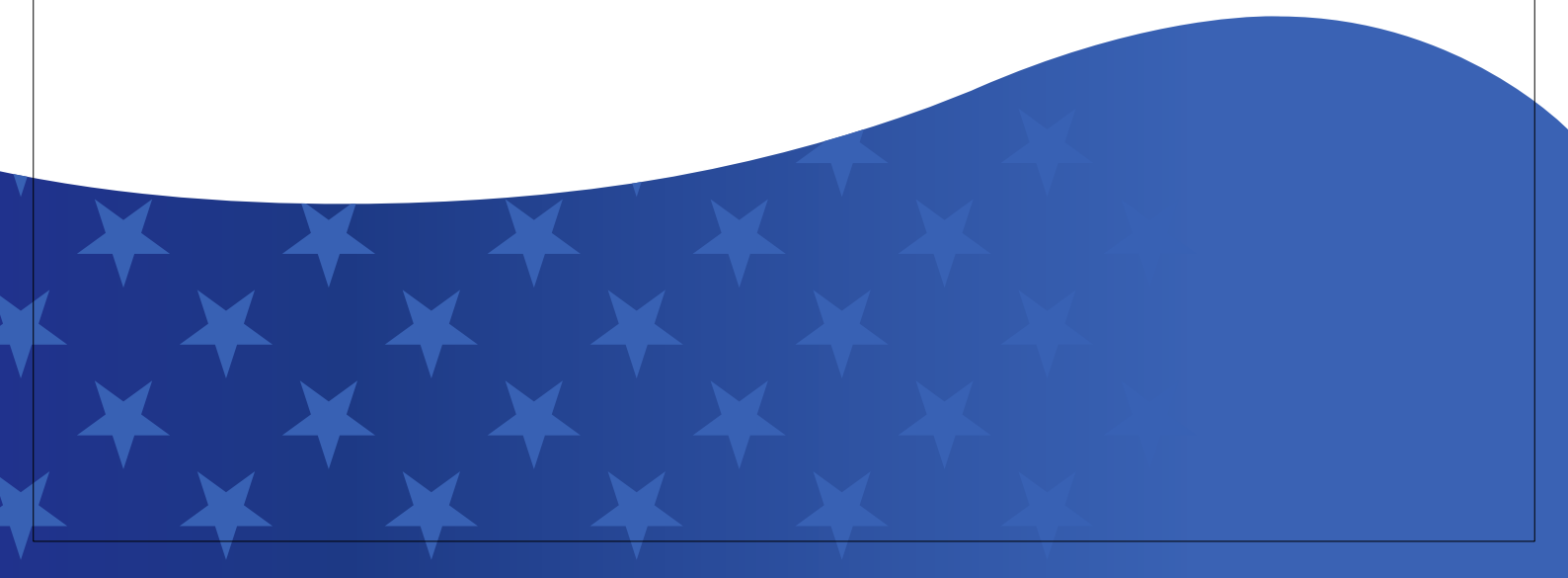
Installation Manual



Model#8015

INDEX

1. Installation Preparation & Maintenance(English) P01
2. 93108 Installation(English) P02-04



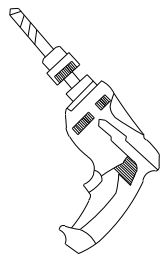
1. Installation Precautions

1. When you open the product packing, please check the product and accessories at first. If there is any discrepancy, please contact the company or our distributor immediately.
2. The hot and cold water supply pipe of the faucet must be properly connected. When facing the front of the faucet, the hot water supply is on the left and cold water supply is on the right. Incorrect connection will cause permanent damage to the cartridge.
3. If the accessories to be changed without affecting the use, we will not make a prior notice.
4. The impurities in the water supply pipe must be cleared before installation to avoid blockage.
5. The water pressure of the faucet is 20 PSI -100 PSI (including cold water and hot water pressure) Applicable water temperature range: 40°F-170°F.

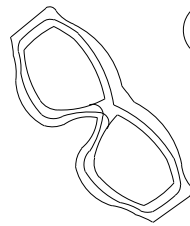
2. Preparation before installation

1. Please read the installation manual carefully before installation.
2. Installation work must be performed by a professional installer.
3. Installation tool.

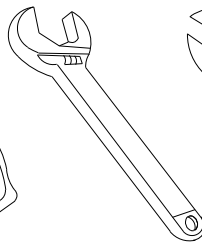
Tools you may need.



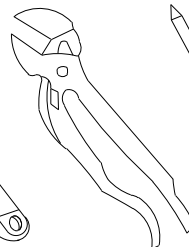
Electric drill



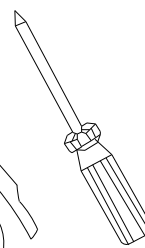
Safety goggles



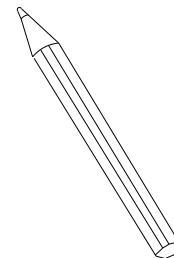
Adjustable wrench



Pliers



Screwdriver



Pencil

3. Product reparation

If the cartridge is worn out which cause leakage, please turn off the water source. Remove the handle, panel, and decorative cover in sequence, remove the gland with a wrench, then take out the cartridge and copper sleeve.

Repair or replace the new cartridge, then install it again in sequence.

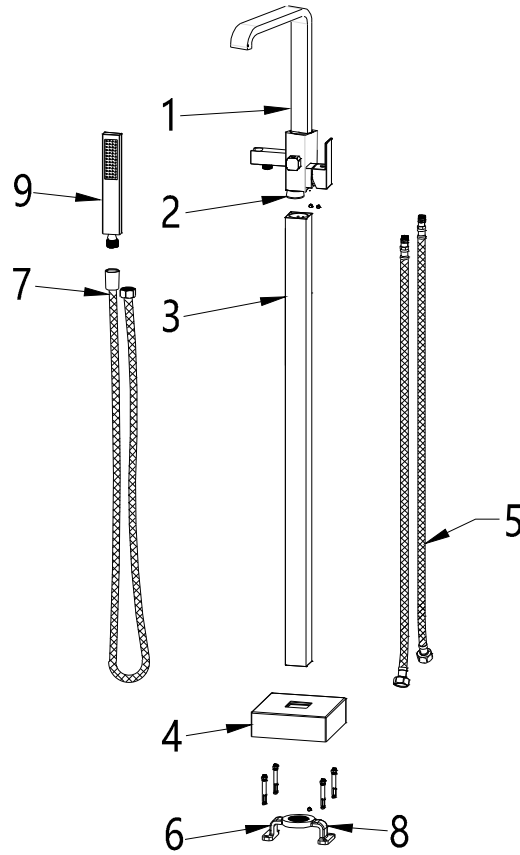
4. Clearance and Maintenance

In order to keep the faucet appearance smooth and good performance, please follow the below steps to clean and maintain the faucet.

1. Clean with water and dry with a soft cotton cloth.
2. Use a mild liquid and a colorless glass cleaner to remove surface dirt and scale, also you can use the cleaner without grinding function.
3. Do not use detergents, polishing tools, abrasive cloth, paper towels or scrapers to clean the faucet.
4. Do not use acid cleaners, insoluble granular detergents, soaps, etc to clean the faucet.

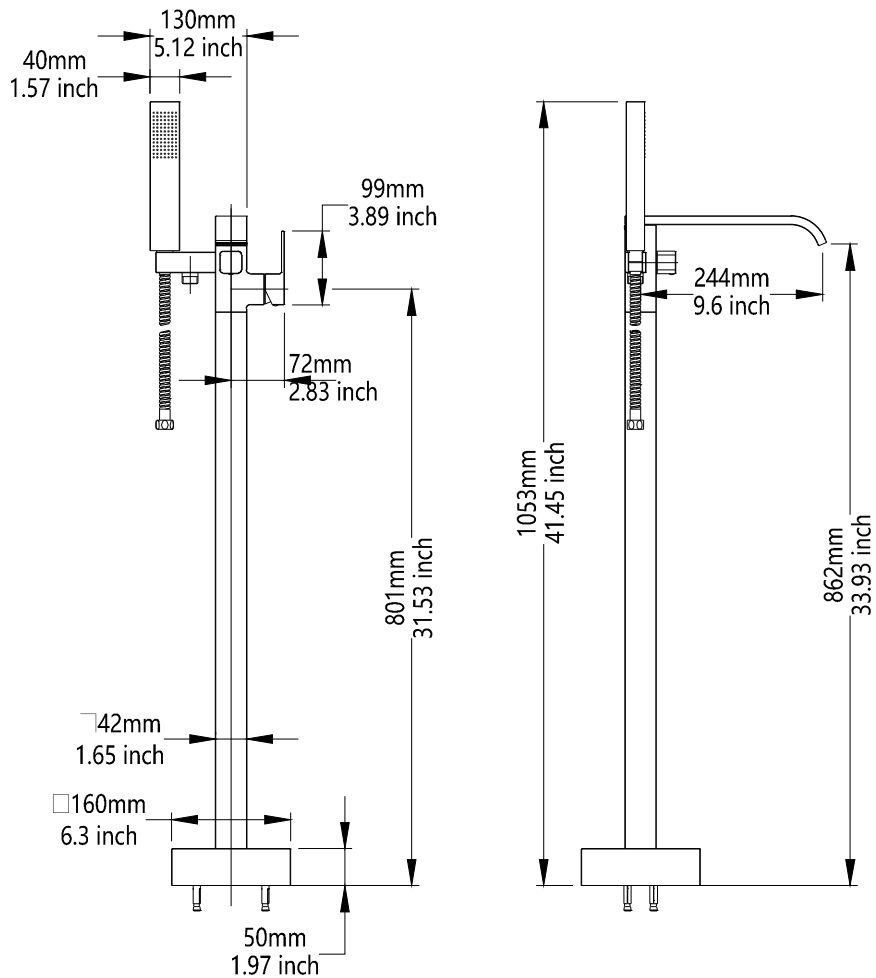
Model: 8015

Installation Instruction 1/3



No.	Description	QTY
1	Tub filler spout	1
2	Mixer	1
3	Standing pipe	1
4	Escutcheon	1
5	Water supply lines	2
6	Fix bracket base	1
7	Shower hose	1
8	Fix screw set	4
9	Hand shower	1

Installation Instruction

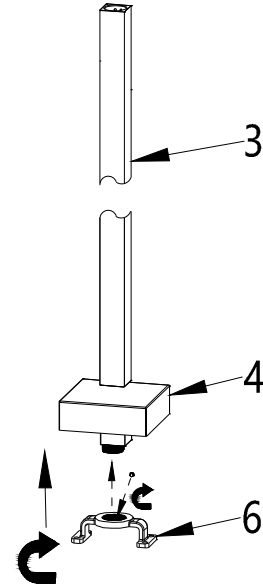
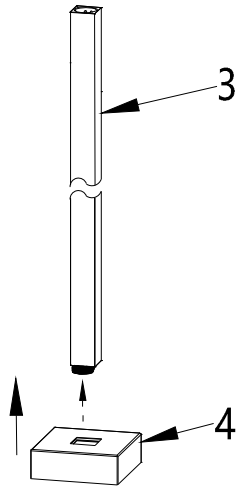


Model: 8015

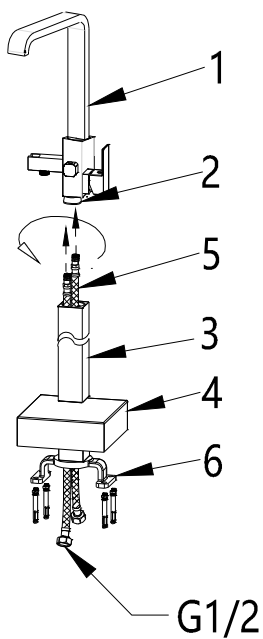
Installation Instruction 2/3

Installation steps

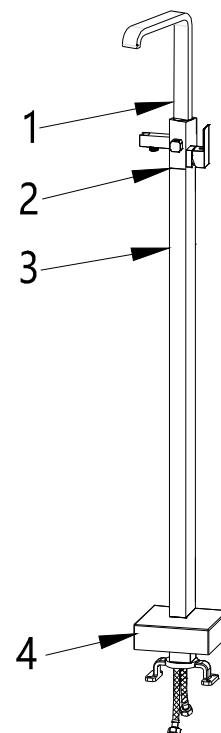
1. Place the escutcheon (#4) over the standing pipe (#3) and push it to the base, then turn the fix bracket base to standing pipe.



2. Turn the inlet supplies to mixer, verify the hot one with red line and the cold one with the blue line. Attach the mixer (#2) to the standing pipe (#3).



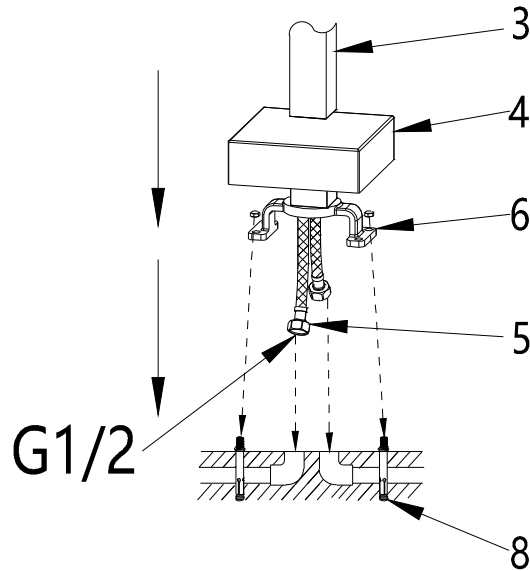
3. Make sure the prongs on the top of standing pipe (#3), and insert into the hole of the mixer (#2). Install the set and tighten it into the standing pipe (#3).



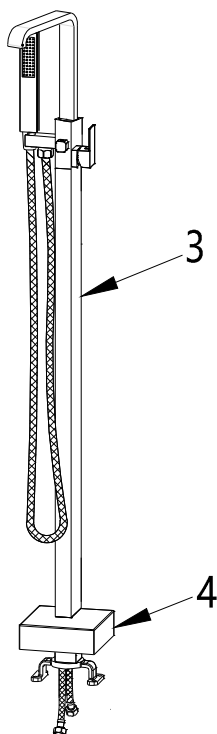
Model: 8015

Installation Instruction 3/3

4. Mark the locations for the screws with a pencil. With an electric drill, drill four holes for the expansion screws (#8) in the floor. Place the expansion screw (#8) into the holes. Connect the flexible supply lines (#5) to the water supplies.



5. Ensure the standing pipe (#3) sits flush against the finished floor surface. Then secure the standing pipe (#3) using screws (#8). Push the escutcheon (#4) over the standing pipe (#3) base so that it sits flush against the finished floor surface.



6. Connect one end of the shower hose (#7) to the tub filler spout (#1) and the other end to the handle shower (#9). Ensure the washer is placed into each end for seal.

