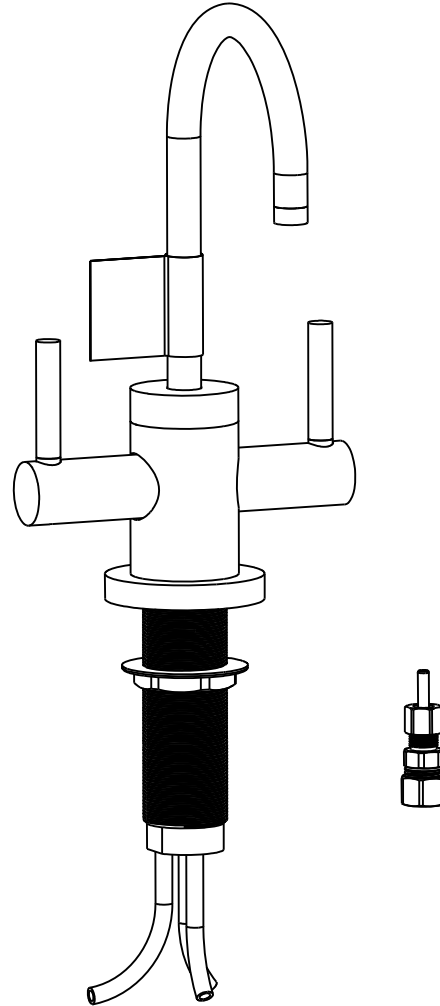


- 1 APPLY LOCTITE 680.
- 2 CUT AND SHORTEN O-RING BY .13" TO .20" IN LENGTH BEFORE INSTALLING.
- 3 SLIT O-RING BEFORE INSTALLING.
- 4 APPLY LOCTITE 242.
- 5 CONNECT WHITE AND RED TUBINGS TOGETHER AND WATER TEST WHOLE UNIT.
- 6 BAG 5-035 IN A SEPARATE BAG.
- 7 REWORK CARTRIDGE ASSY IF THE HANDLE DOES NOT RETURN TO THE 'OFF' POSITION AUTOMATICALLY AFTER WATER TESTING.
- 8 INSTALLATION TORQUE: 8-14 LB-FT.
- 9 INSTALLATION TORQUE: 30 LB-FT.
- 10 LUBRICATE SPRING WITH DOW CORNING III.
- 11 PRE-CRIMPED THESE PARTS TOGETHER. SEE INSTALLATION INSTRUCTION.
- 12 APPLY THIN FILM OF DOW CORNING III.



BILL OF MATERIAL (CURRENT LEVEL)

ITEM	PT/ASSY	DESCRIPTION	TYPE	QTY.
1	1-134	CARTR 3/8 HOT 1/4 TR	PART	1
2	5-035	COUPLING & INSERT ASM	ASSEMBLY	1
3	5-052	SPOUT ASM	ASSEMBLY	1
4	6-038	SELF CLOSED CARTRIDGE, LEFT HAND	ASSEMBLY	1
5	10174	NUT, QUICK CONNECT	PART	1
6	10831	ESCUTCHEON (DECK SPOUT)	PART	1
7	50066	COMPRESSION RING, 1/2	PART	3
8	50068	INSERT, HOSE	PART	3
9	50714	WATER DISP. CAR.T HOLDER	PART	2
10	50716	WATER DISP BODY CAP (CONT.)	PART	1
11	50717	WATER DISP SPOUT RETAINER	PART	1
12	50720	WATER DISP HANDLE (CONT.)	PART	2
13	50721	WATER DISP LEVER (CONT.)	PART	2
14	50745	WATER DISP. BODY H/C (CONT)	PART	1
15	50767	ADAPTER	PART	1
16	50768	RETAINER PLATE	PART	1
17	50770	NIPPLE	PART	1
18	91017	O-RING, #2- 012, EPDM, 65-75 DURO, NSF 61	PART	2
19	91023	O-RING, #2- 019, EPDM, 65-75 DURO, NSF 61	PART	1
20	91100	O-RING, #2-006, EPDM, 65-75 DURO	PART	3
21	91231	O-RING, #2-136, EPDM, 65-75 DURO	PART	1
22	91373	BLUE IDENTIFIER	PART	1
23	91374	RED IDENTIFIER	PART	1
24	91376	TUBE, RED, .250 OD X 4 FT	PART	1
25	91377	TUBE, BLUE, .250 OD X 4 FT	PART	1
26	91378	TUBE, HIGH TEMP, .250 OD X 4 FT	PART	1
27	91382	O-RING, #2- 012, TEFLON,	PART	1
28	91383	O-RING, #2- 014, TEFLON, NSF 61	PART	1
29	92000	SCRW, 8-32 X 1/8 SKT HD CUP PT SS	PART	2
30	92016	SCRW, 10-24 X 3/4 SKT HD FLT PT SS	PART	2
31	92192	SCRW, 10-32 X 5/8 SKT HD CUP PT SS	PART	2
32	92193	SCRW, M4 X 16 PHIL OVAL HD SS	PART	1
33	98043	TAG LABEL, HOT WATER WARNING	PART	1

K	EN-2601	09/16/13
J	EN-2528	05/08/13
H	EN-2235	07/30/12
G	EN-1675A	12/14/10
F	EN-1300	10/26/09
E	EO-0936	01/29/08
D	EO-0707	05/24/06
REV	REV DESC	DATE

COPYRIGHT 2005 BRASSTECH, INC. THESE DRAWINGS AND THE DESIGNS DEPICTED HEREIN ARE THE PROPRIETARY PROPERTY OF BRASSTECH. ANY USE OR REPRODUCTION IS SUBJECT TO THE EXPRESS APPROVAL OF BRASSTECH. UNAUTHORIZED USE IS STRICTLY PROHIBITED. ALL RIGHTS RESERVED.

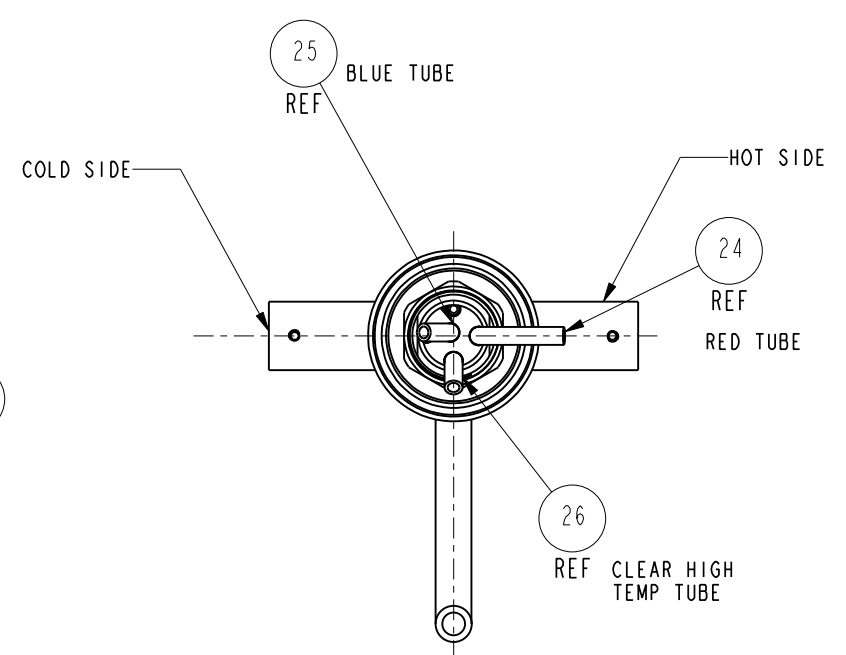
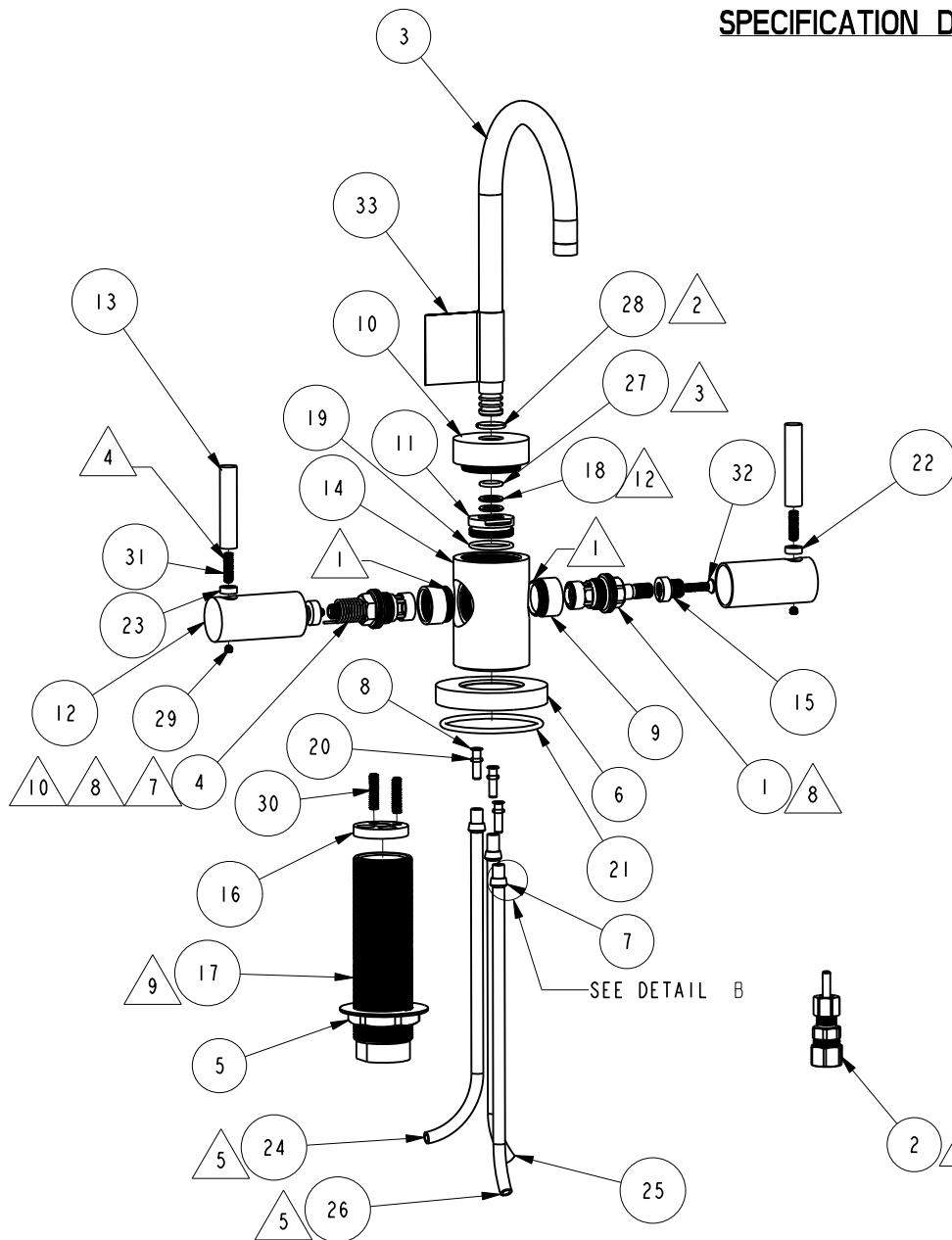
BRASSTECH INCORPORATED
 2001 E. CARNEGIE AVE.
 SANTA ANA, CA 92705
 (949) 417-5207

H & C WATER DISP, CONTEMP

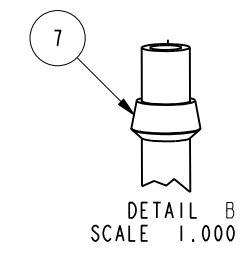
ASSY. NO.
106

SCALE .250 REF. - SHEET 1 OF 3

SPECIFICATION DWG



BOTTOM VIEW
SCALE .375



DETAIL B
SCALE 1.000

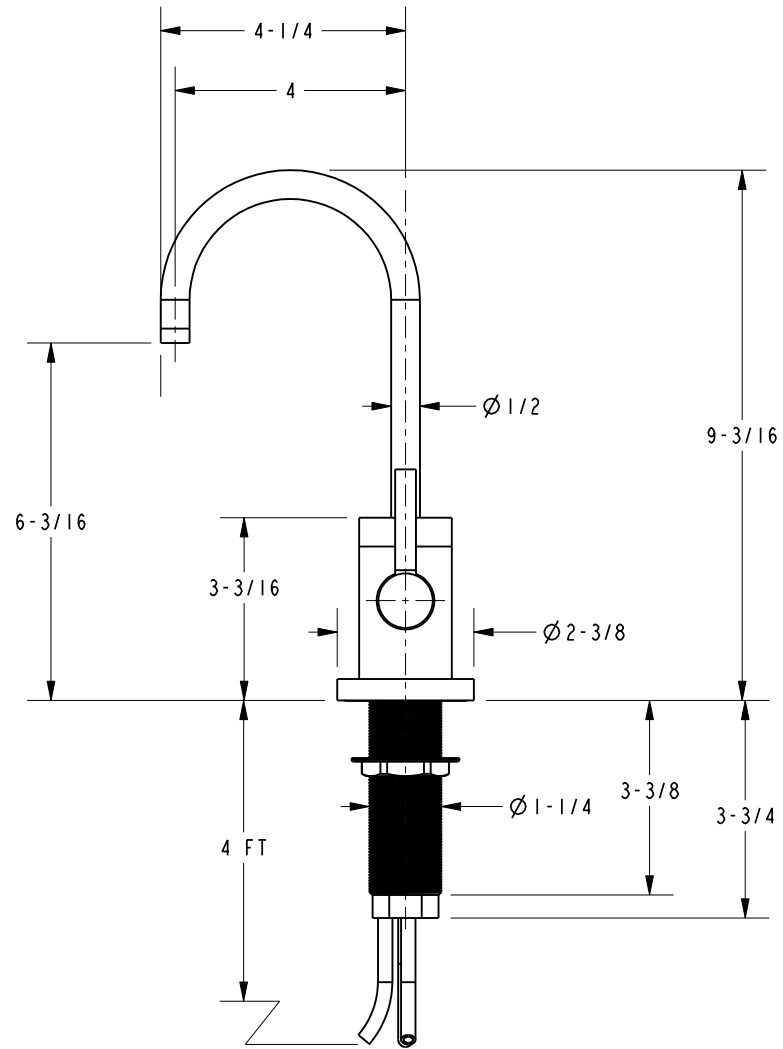
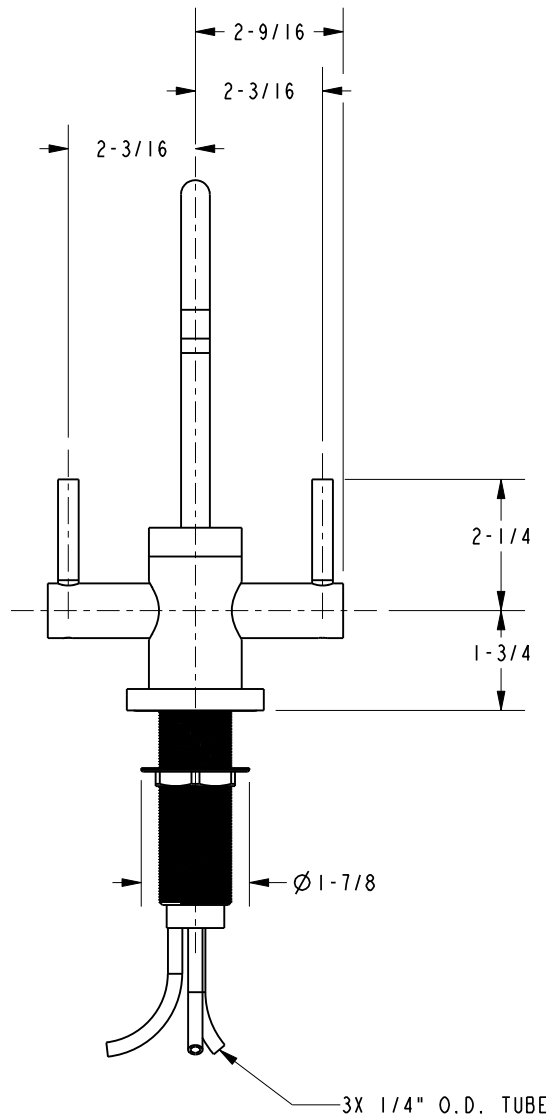
SEE DETAIL B

DIMENSIONS ARE IN INCHES AND AN APPROXIMATION OF A TYPICAL INSTALLATION

COPYRIGHT 2005 BRASSTECH, INC. THESE DRAWINGS AND THE DESIGNS DEPICTED HEREIN ARE THE PROPRIETARY PROPERTY OF BRASSTECH. ANY USE OR REPRODUCTION IS SUBJECT TO THE EXPRESS APPROVAL OF BRASSTECH. UNAUTHORIZED USE IS STRICTLY PROHIBITED. ALL RIGHTS RESERVED.

BRASSTECH		2001 CARNEGIE AVE. SANTA ANA, CA 92705 (949) 417-5207	
DWG NO.	106	REV	K
SCALE	.250	REF.	-
		SHEET	2 OF 3

SPECIFICATION DWG



DIMENSIONS ARE IN INCHES AND AN APPROXIMATION OF A TYPICAL INSTALLATION

COPYRIGHT 2005 BRASSTECH, INC. THESE DRAWINGS AND THE DESIGNS DEPICTED HEREIN ARE THE PROPRIETARY PROPERTY OF BRASSTECH. ANY USE OR REPRODUCTION IS SUBJECT TO THE EXPRESS APPROVAL OF BRASSTECH. UNAUTHORIZED USE IS STRICTLY PROHIBITED. ALL RIGHTS RESERVED.

BRASSTECH		2001 CARNEGIE AVE. SANTA ANA, CA 92705 (949) 417-5207	
DWG NO.	106	REV	K
SCALE	.300	REF.	-
SHEET 3		OF 3	