

Product Specifications

Rated Voltage	Rated Power	Product Size	Product Weight	Product Material	DustCup Capacity	Power Mode
12V DC	140W	12.6*8.1*4.4"	3.4 Lbs	ABS	0.88 L	USB Charge

Installation instructions

1. On/standby/gear button: Press and hold this button for 2 seconds to turn on the machine. The digital display screen will show the running gear, and the battery indicator, wireless handheld icon indicator, multiple filtering icon indicator, and hurricane suction icon indicator will light up. The machine will default to running in low gear; Short press this button to switch gears, with a total of three gears, Cycle between low gear, medium gear, and high gear. Press and hold this button again for 2 seconds to turn off the machine and enter standby mode.
2. The battery indicator light flashes and lights up during charging, and when fully charged, the battery indicator light remains on.

Battery Safety

- Before discarding the appliance, the battery must be removed from the appliance.
 - The appliance must be powered off when removing the battery.
 - Batteries should be disposed of safely.
1. After separating the host from the dust cup, unscrew the four fixing screws at the bottom air outlet of the handle, remove the cover plate, and then remove the internal battery completely.
 2. Do not dispose of the battery casually when removing it. Please place the battery in a dedicated recycling bin and do not mix it with other household waste to avoid polluting the environment.

This product has a 1-year limited warranty. For further information please visit our website at www.techkogroup.com

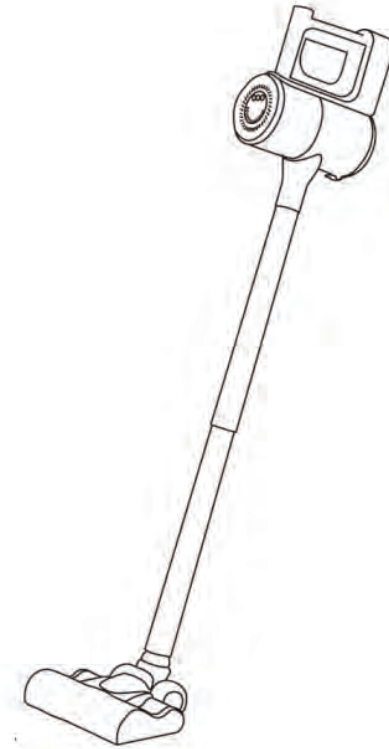
Copyright Reserved

☎ 1-888-883-2456

✉ support@techkogroup.com

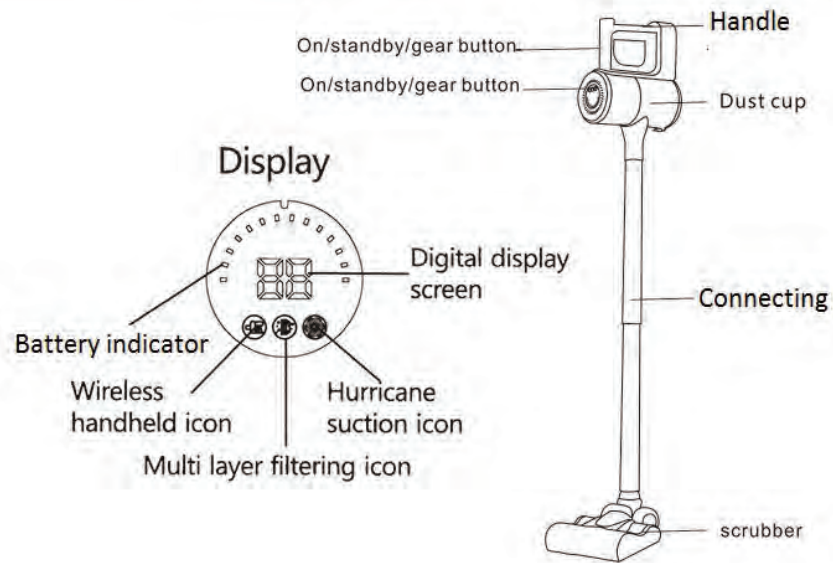
Handheld Vacuum Wand

USER MANUAL



Model: CL-202

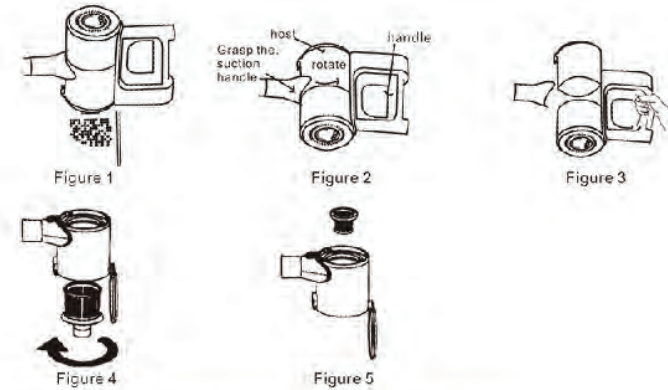
Product Structure Diagram



Cleaning and maintenance

Please turn off the device and disconnect the charging power before cleaning.

1. Press the buckle and open the lower cover of the dust cup to dump the dust. (As shown in Figure 1 below)
2. Hold the suction handle with your left hand and rotate the body counterclockwise above the host with your right hand (As shown in Figure 2 below)
3. Separate the host from the dust cup vertically. (As shown in Figure 3 below)
4. Rotate the filter inside the dust cup counterclockwise to remove the filter. (As shown in Figure 4 below)
5. Take out the HEPA filter. (As shown in Figure 5 below)
6. The filter and filter sponge can be rinsed with water and left to dry before being put back into the dust cup.



Installation instructions

Note: Do not turn on the device during installation, and do not plug the charger into the power source!

1. First, connect the floor scrubber to the connecting rod.
2. Then install the host onto the connecting pipe.
3. There are concave and convex buckles at the connection points of each component. Please align the buckles before connecting each component.
4. Simply follow the installation steps when disassembling.

