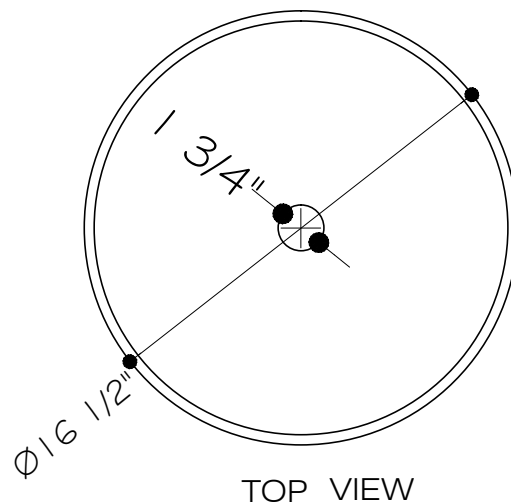
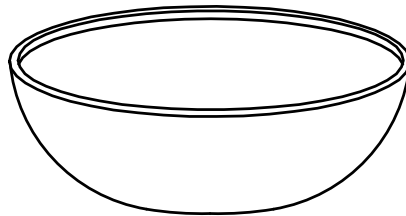


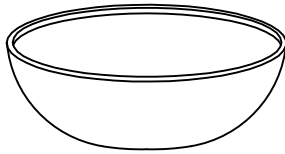
INSTALLATION INSTRUCTIONS



NOTE: DRILL HOLL SIZE IN CONTERTOP $\text{Ø}1\ 3/4''$

Questions,problems,missing parts?
Before returning to the store,Email our customer service
servicefast1@outlook.com

INSTALLATION INSTRUCTIONS



Bathroom Vessel Sink

REQUIRED TOOLS

Plumber's putty or Caulk
Caulking Gun
Tape Measure

SAFETY TIPS

Observe all local plumbing and building codes.
Risk of personal injury or product damage. Handle with care. Glass can break or chip if the product is handled carelessly.
Prior to installation, unpack the new lavatory and inspect it for damage. Return the lavatory to its protective carton until you are ready to install it.

IMPORTANT POINTS

1. Installation must be done by a qualified, licensed plumber. The contractor must perform a dry fit prior to drilling holes in the counter top for the sink.
2. Drill hole size in countertop for the lavatory is $\varnothing 1 \frac{3}{4}$ ".
3. All vessel bowls are hand made. You may expect variations in color, texture and bowl symmetry. If you notice any obvious variation or defects you should contact your retailer immediately.
4. Vessel sinks are extremely durable and can withstand a temperature change of 68° F / 20° C without breaking. CAUTION : do not use water that exceeds a temperature of 140° F / 46° C.
5. Though resistant to breakage, vessel sinks can break or chip when a heavy object falls in or on them.

MAINTENANCE

To ensure that your installation project goes smoothly, please review these instructions before proceeding.
Your new lavatory is designed for years of trouble-free performance. Keep it looking new by cleaning it periodically with a soft cloth. Avoid abrasive cleaners, steel wool and harsh chemicals.

REMOVING YOUR OLD LAVATORY

Turn off the water supply. This is done by closing the two shut-off valves located under the lavatory. If there are no shut-off valves leading to the lavatory, you must turn off the water at the main valve. This is usually located in the basement, garage or near the foundation on the outside of the house. It may also be near the water meter. Check to be sure the water is off by turning on the faucet where you are working until the water stops flowing. If you have shut off the main valve in a two-story house or greater, you should open the kitchen faucet and another faucet on the same level. Water will then drain from the entire line. This will help avoid spills. Be sure and close the faucets before you turn on the main valve again. Disconnect the drain pipes. Take off as many sections as possible between the lavatory and the wall or floor to facilitate removal. Place a basin under the work area to catch any water that may still be in the drain.

INSTALLATION

Installation must be done by a qualified licensed plumber.

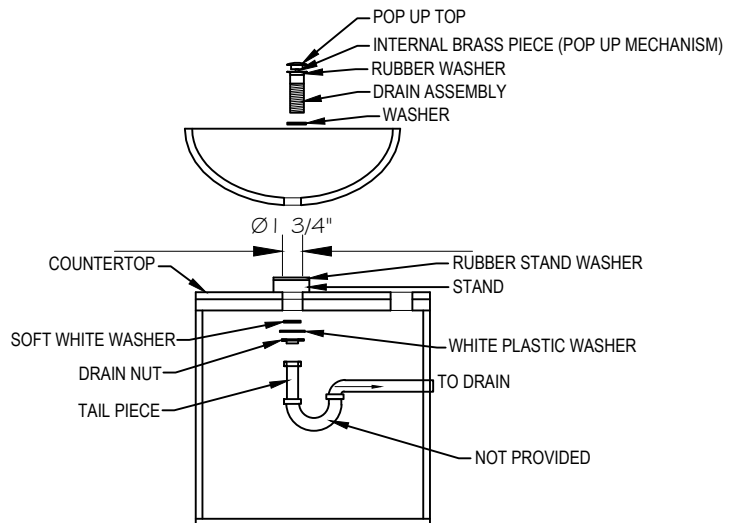
Prior to installation please read the instructions thoroughly, confirm that all parts are included and visually inspect the unit for any defects.
If you have any questions please contact the our Technical Support Department before proceeding with installation.

ASSEMBLY

1. Please inspect your working surface, making sure it is level and clean.
2. Determine the layout for the sink you desire. It is important to fully "dry" position the sink with your faucet purchase on the countertop. Things to include, but are not limited to;
 - ° Leaving enough clearance behind the faucet for operation of the handle.
 - ° Positioning the faucet so it does not interfere with the sink.
 - ° Checking that the water flow from the faucet makes contact with the sink in the desired position.
3. Mark and drill $\varnothing 1 \frac{3}{4}$ " hole on countertop for drain placement.
4. The sink can be mounted to the countertop with or without a stand. It is highly recommended that the customer utilize the stand. This will allow for proper cleaning around the exterior of the bowl and will make sure that there is no direct contact between your bowl and desired countertop. The stand is an optional purchase and is not included in with the purchase of the vessel bowl.
5. If a stand is not purchased it is advised to apply a bead of caulk between the bottom of the sink and the countertop. This will prevent movement and ease the leveling process.

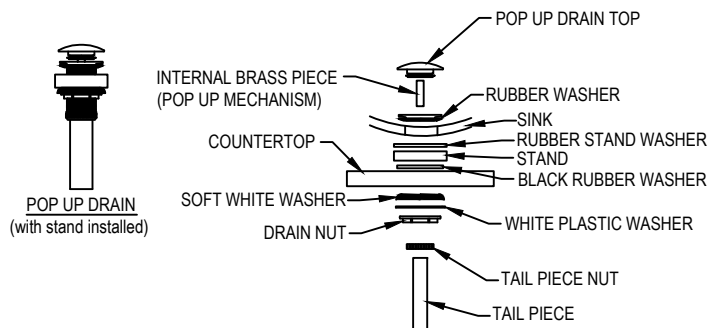
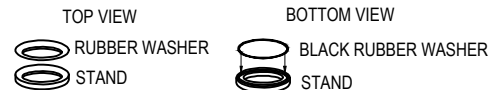
Pop-up Drain Installation

Make sure to use the intended style drain / pop-up. The vessel bowl does not have an overflow. Therefore the drain / pop-up needs to correspond appropriately.

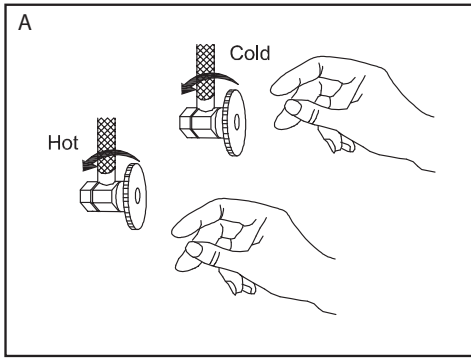


! DO NOT OVER TIGHTEN THE DRAIN

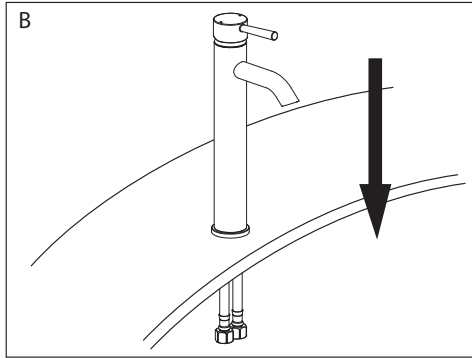
STAND



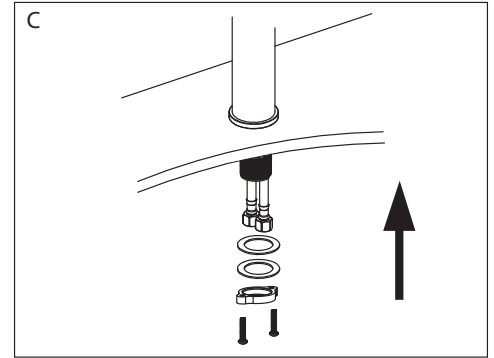
Faucet Installation



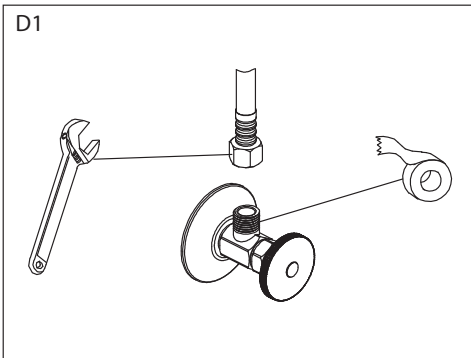
A. Shut off water supply at the valves. Remove old faucet and clean the mounting surface for installation of new faucet.



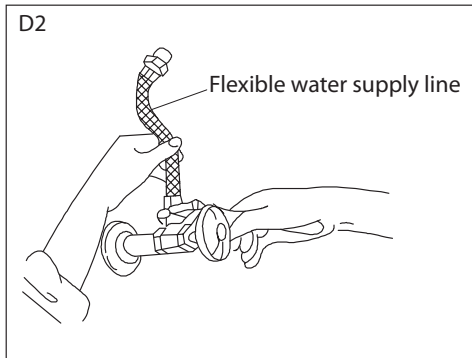
B. Install the Base Ring to the base of the faucet and place the entire faucet through the mounting hole on the countertop.



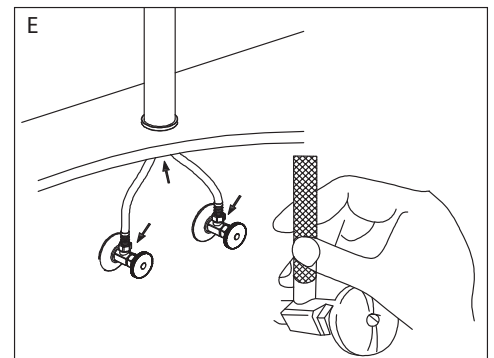
C. Under the countertop, slide the washer and metal washer onto the faucet. Secure the faucet with the locking nut and screws to the countertop.



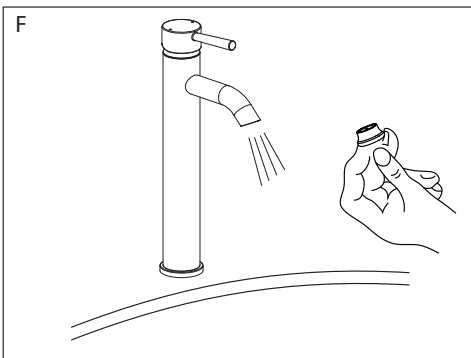
Tips: Make sure the filter screens are seated correctly in the hose fittings before connecting the hoses to the shutoff valves.



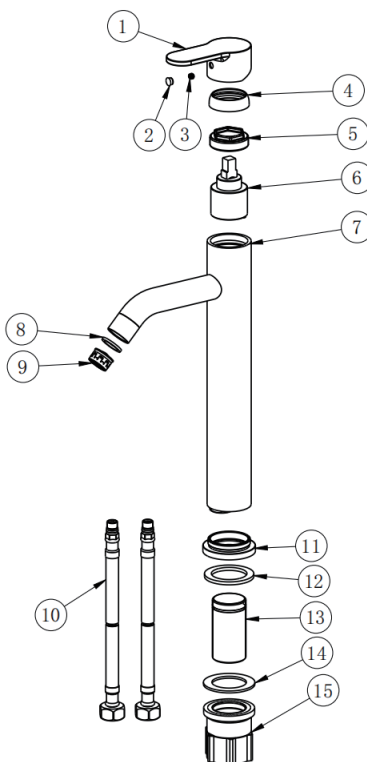
D2. Use a wrench to tighten the hoses, please do not overtighten the connections.



E. Turn on the water supply to check for leaks at all connections.



F. Remove aerator from the spout and let the water run for about 1 minute to clear any debris in the plumbing system. Attach the aerator.



- 01. Handle
- 02. Setscrew
- 03. Handle Cap
- 04. Cap
- 05. Bonnet
- 06. Cartridge
- 07. Faucet Body
- 08. Filter Screens
- 09. Aerator
- 10. Water Supply Hose
- 11. Base Ring Washer
- 12. Rubber Washer
- 13. Shank
- 14. Rubber Washer
- 15. Locking Nut