

# SharkBite Max™

## Braided Connector Hose with Ball Valve

SharkBite Max™ allows users to connect pipe with ease - no tools needed. This new design features a stainless steel retainer for extra strength, higher pressure ratings and a lower insertion effort than previous versions of SharkBite Brass Push-to-Connect fittings. SharkBite Max fittings do not require a PEX stiffener and are compatible with PEX, copper, CPVC, PE-RT and HDPE\*.

### Applications

Residential and commercial potable water, recirculation, hydronic heating/cooling (up to 50% glycol concentration) and direct burial.

### Specification Data

| Materials       |                        |
|-----------------|------------------------|
| Body            | Lead-Free DZR Brass    |
| O-ring          | EPDM                   |
| Steel Retainer  | 304 Stainless Steel    |
| Grab Ring       | Stainless Steel        |
| Seal Ring       | PTFE                   |
| Ball            | Chrome Plated Brass    |
| Handle          | Steel with PVC Coating |
| Lock Nut        | Stainless Steel        |
| Spindle         | Lead-Free DZR Brass    |
| Tube            | Stainless Steel        |
| Dielectric Ring | POM                    |
| Face Seal       | EPDM                   |

| Pipe Insertion Depth |                 | Performance          |              |
|----------------------|-----------------|----------------------|--------------|
| Fitting Size         | Insertion Depth | Max Working Pressure |              |
| 1/2"                 | 1.00 in.        | Max Pressure         | 200 psi      |
| 3/4"                 | 1.25 in.        | Max Temperature      | 140°F (60°C) |

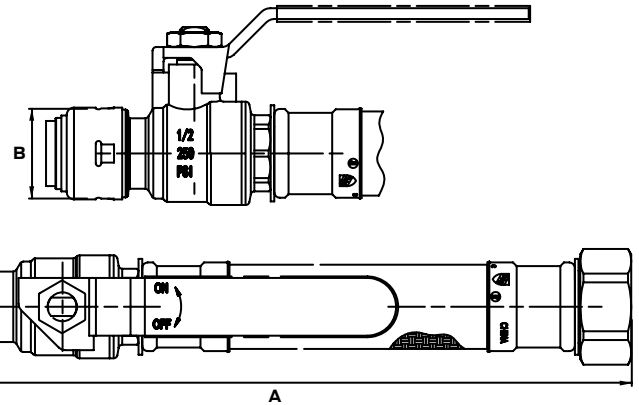
### Certifications & Listings

ASME A112.18.6/CSA B125.6, ASME A112.4.14/CSA B125.14\*, NSF/ANSI 14, NSF/ANSI/CAN 61, NSF/ANSI/CAN 372

\*Ball Valve

For listing information, please contact Customer Service

\* HDPE installations must use a tube stiffener. Sold separately by HDPE manufacturer.



| Dimensions (inches) |                 |      |     |
|---------------------|-----------------|------|-----|
| Part #              | Size            | A    | B   |
| UR3068FX18BV        | 1/2" x 3/4" FIP | 18.0 | 2.1 |
| UR3088FX18BV        | 3/4" x 3/4" FIP | 18.0 | 2.4 |

| Product Submittal |  |
|-------------------|--|
| Name              |  |
| Date              |  |
| Architect/Owner   |  |
| Contractor        |  |
| Tag               |  |
| Notes             |  |