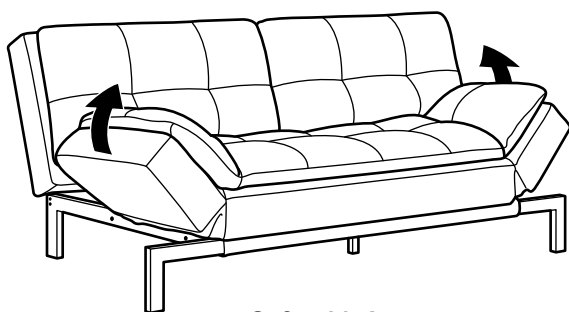
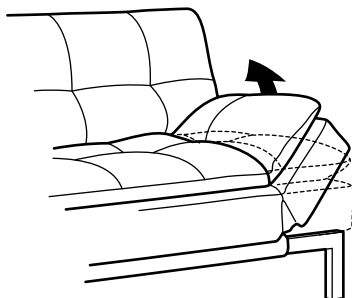
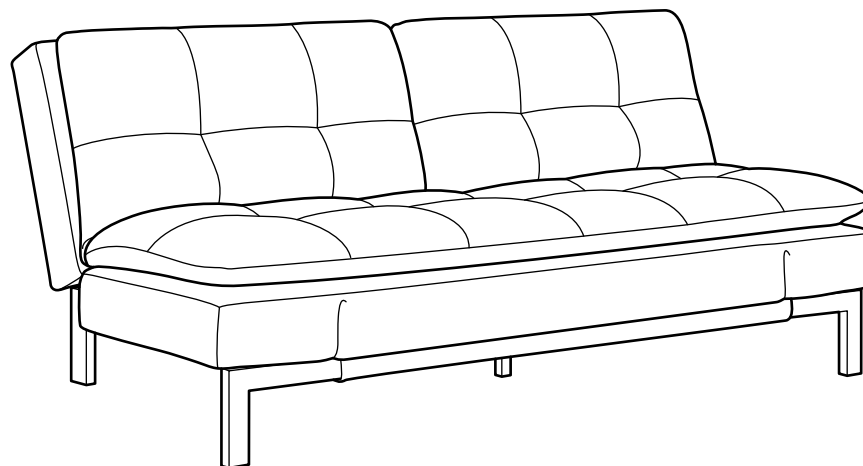


Splitback



Sofa with Armrest



Adjusting Armrest Positions

Standing in front of the unit, lift armrest to the desired position and secure in place by releasing to the sound of a click.

To return to a flat position, lift armrest all the way up to the end, releasing the locking mechanism and carefully return to a flat position.

IMPORTANT

During conversion, ensure lifting is done on bottom of armrest.

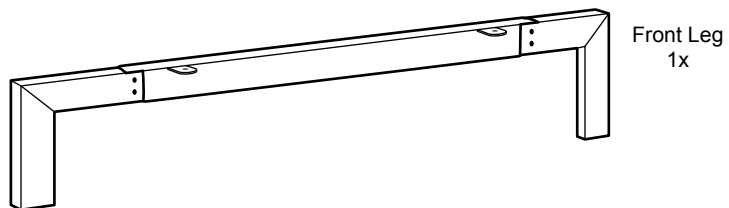
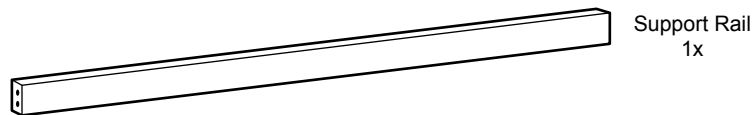
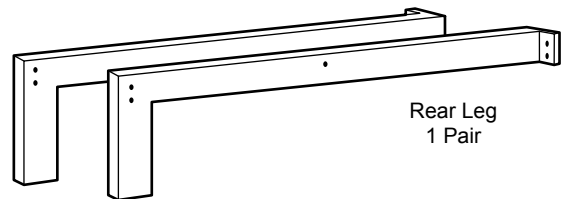
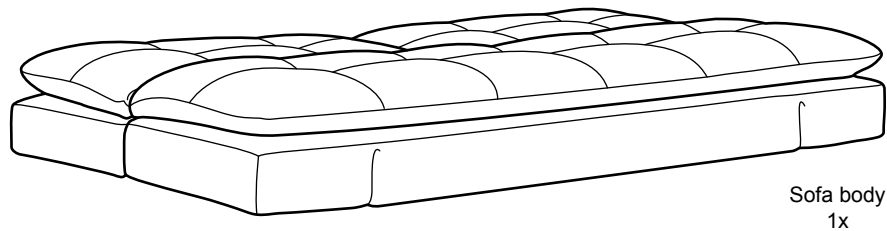
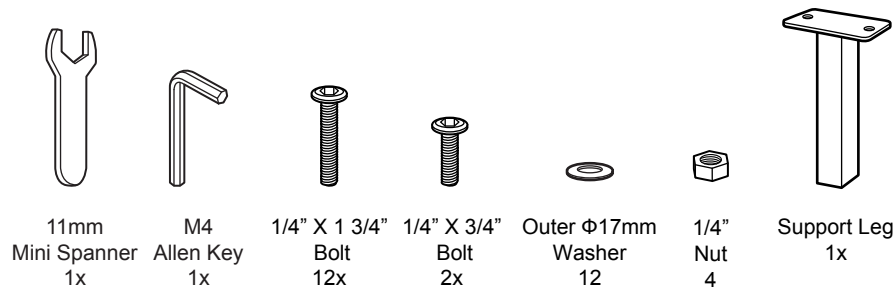
SC-BOC-S3-U4

ASSEMBLY INSTRUCTIONS

U.S. PATENT NUMBER D635,793 S

PARTS AND HARDWARE

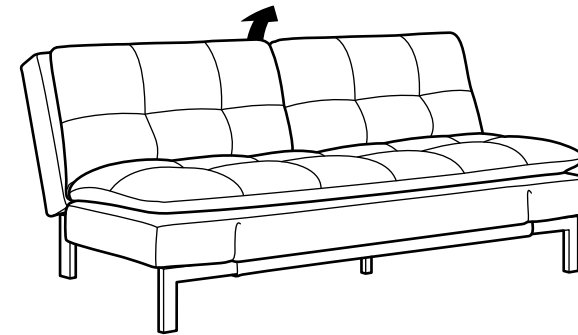
Avoid using sharp objects such as a knife to cut open packing as you may accidentally damage the upholstery.



OPERATING YOUR UNIT

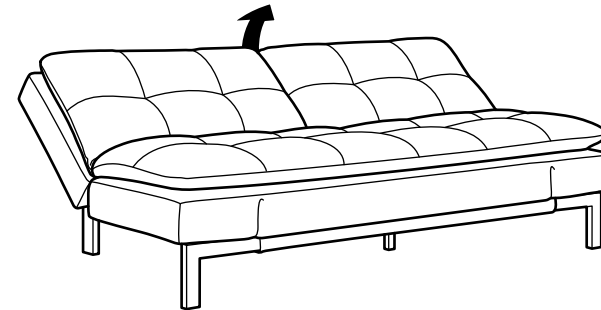
Converting to Sofa

Standing at the side of the unit (from bed position), lift backrest to the desired position and secure in place by releasing to the sound of a click.



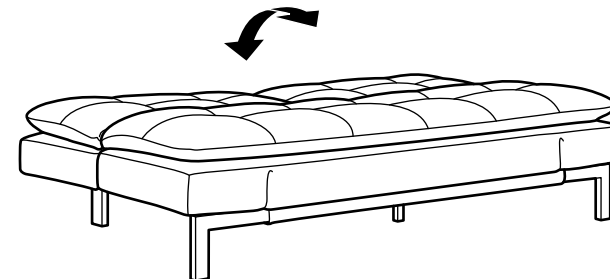
Converting to Lounger

In bed position, lift backrest upwards with each click sound until the desired lounge position is reached.

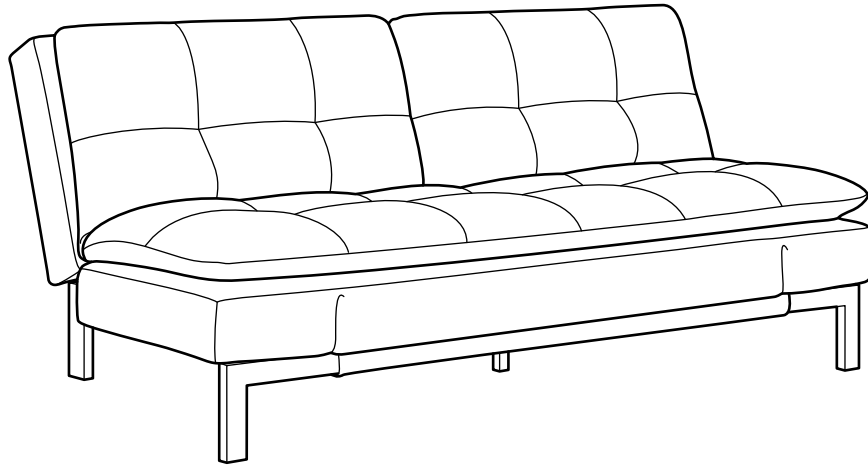


Converting to Bed

From sofa or lounge position, lift backrest all the way upwards until the last click is heard which unlocks the mechanism and carefully return to a flat position.



- 9** Carefully lift and turn assembled unit onto its legs. A flat configuration of the sofa indicates that it is in bed position (refer Operating Your Unit on page 7).

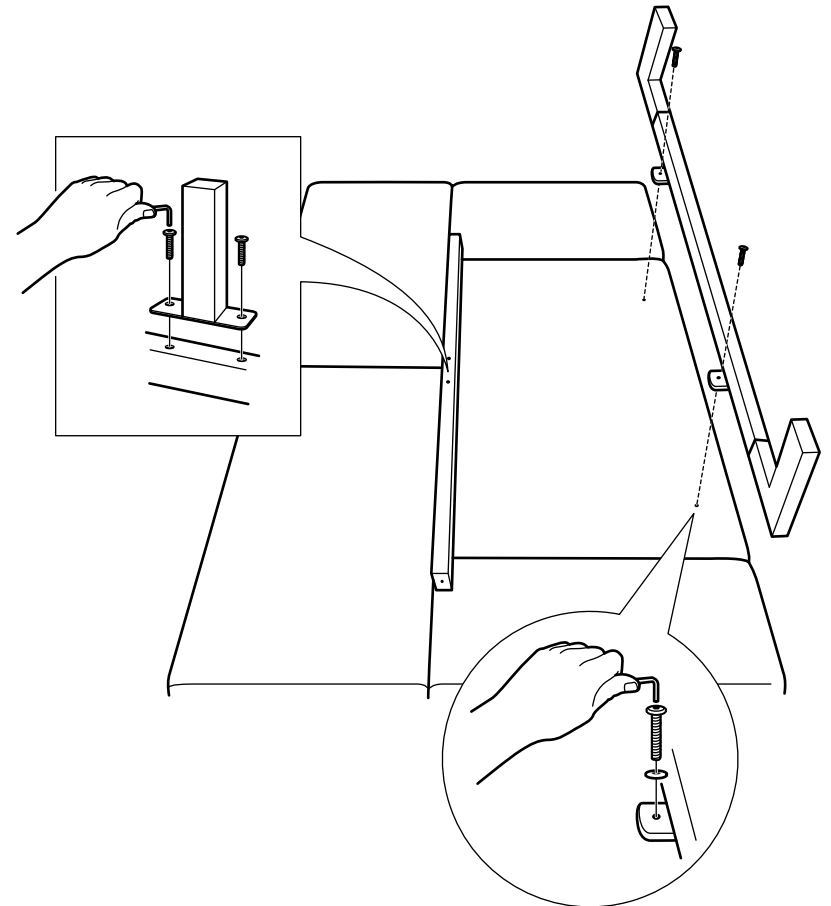


ASSEMBLY INSTRUCTIONS

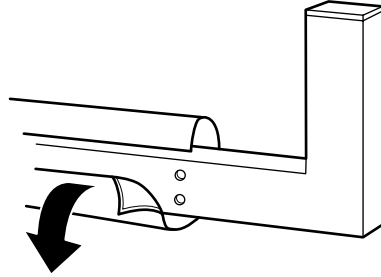
CAUTION: At least two adults are required to safely complete performing this task. Other lifting attempts may risk back injury due to large and heavy part(s).



- 1** Carefully place sofa body unit on a clean flat surface with bottom side facing up.
- 2** Align front leg as shown below and secure a long bolt and washer each using the provided Allen key.
- 3** Secure support leg onto pre-assembled center metal rail with two short bolts until firmly tight.

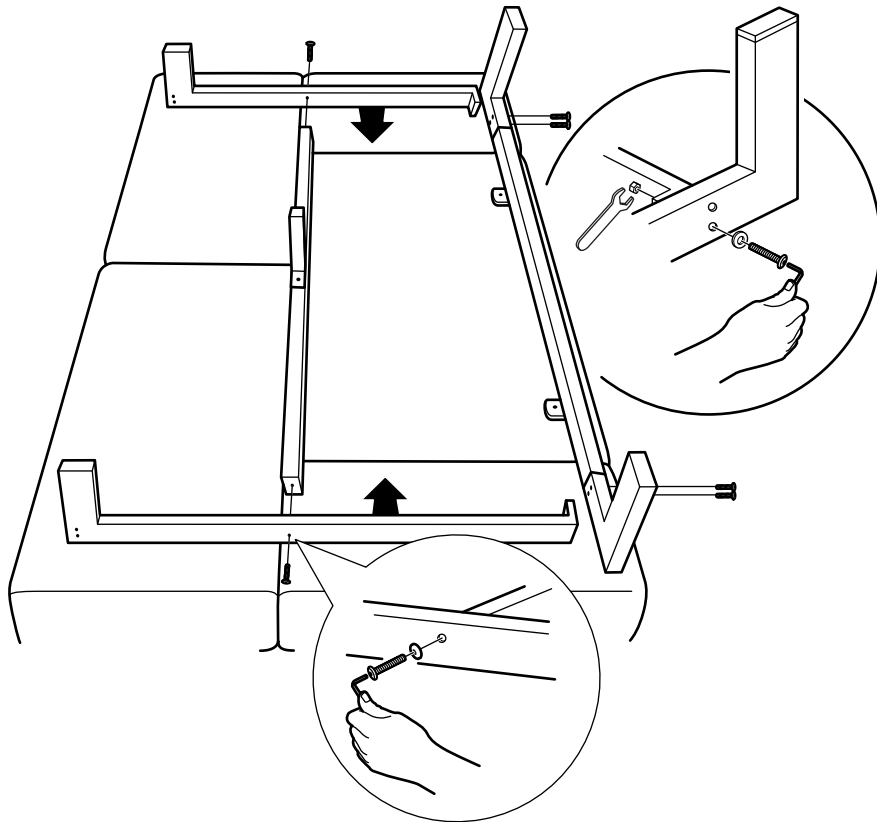


4 Temporary remove cover to expose hidden pre-drilled holes on front leg.

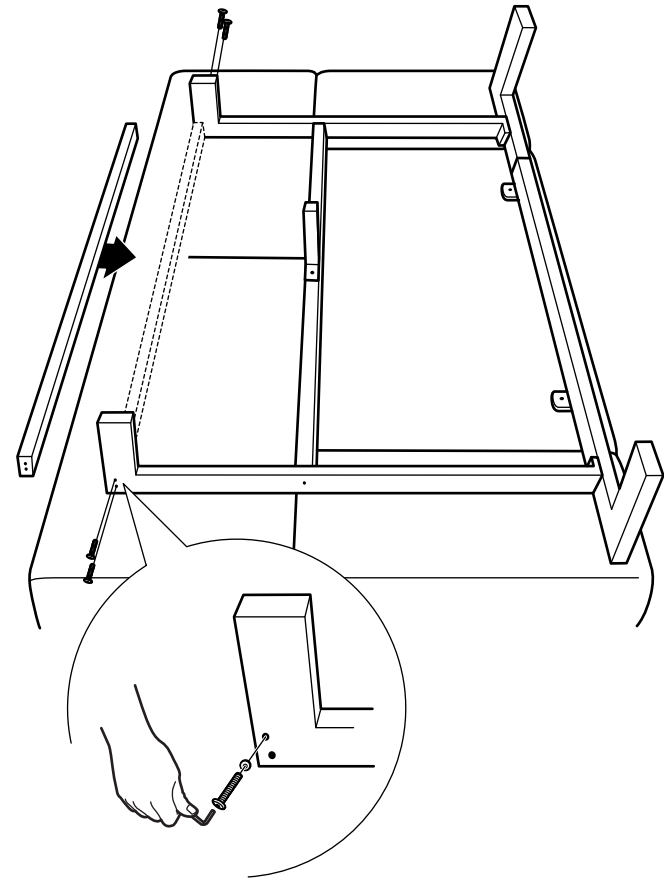


5 Place both rear legs in the correct orientation and secure front leg into each with two long bolts and washers with nuts from inside.

6 Secure a long bolt and washer for rear legs to connect to center metal rail. Do not tighten completely yet.



7 Align support rail into position and secure with two long bolts and washer at each ends. Finally, completely tighten all bolts.



8 Stretch and pull the fabric cover evenly all around the legs before securing velcro. Repeat if necessary for better fit.

