

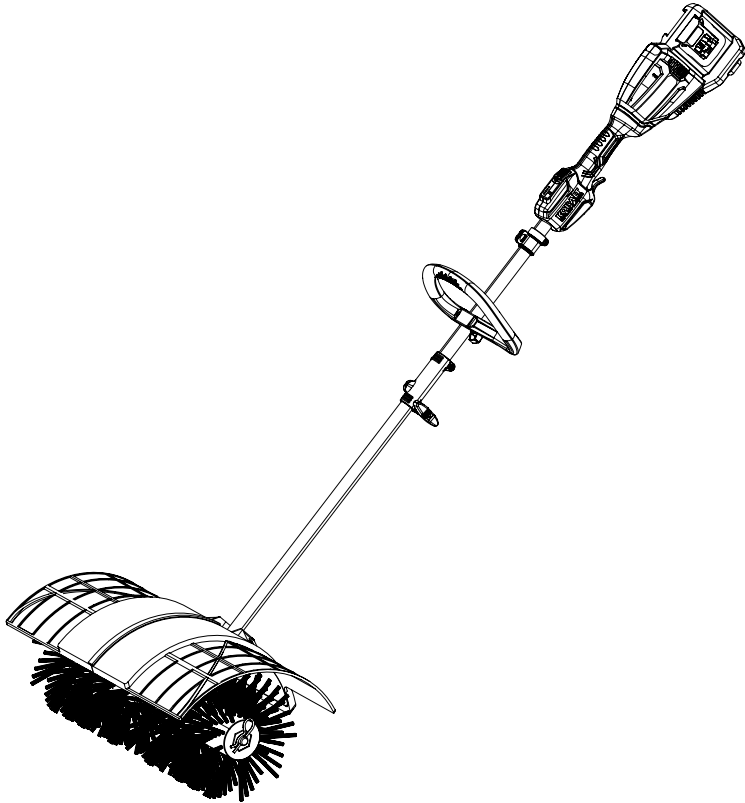


KOBALT and logo design are trademarks or registered trademarks of LF, LLC. All rights reserved.

ITEM #9355741
MODEL #KABK 3265-06A

BRISTLE BRUSH ATTACHMENT KIT

Español p. 21



Serial Number _____

Purchase Date _____

Thank you for purchasing this KOBALT product.
Questions, problems or missing parts?
Before returning, contact us on:
888-356-2258, 8 a.m. - 8 p.m., EST, Monday - Sunday or ascs@lowes.com.



WARNING

DO NOT CHARGE USB-C BATTERY IN TOOL.

This will damage the product and can start a fire.

Remove the battery from the tool when not in use (such as charging, transporting, and storing). This also prevents the tool from starting accidentally.

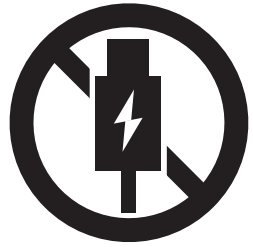


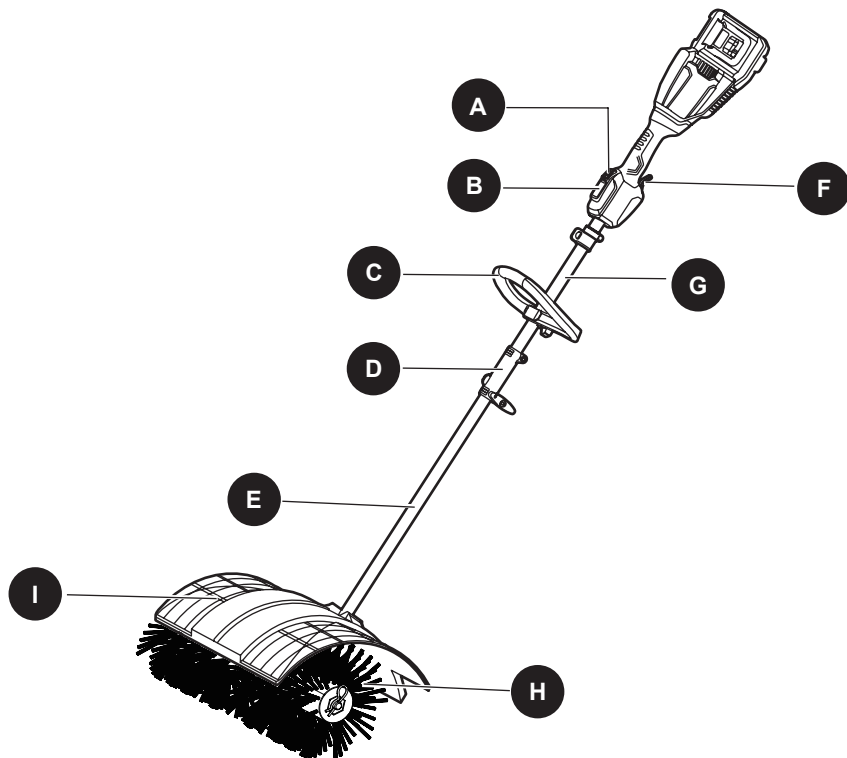
TABLE OF CONTENTS

Product Specifications.....	3
Package Contents.....	4
Hardware Contents.....	5
Symbols.....	6
Safety Information.....	8
Preparation.....	11
Assembly Instructions.....	11
Operating Instructions.....	15
Care and Maintenance.....	17
Troubleshooting.....	18
Warranty.....	19
Replacement Parts List.....	20

PRODUCT SPECIFICATIONS

SPECIFICATIONS	
Voltage	48 V DC
No-load speed	170/190 RPM \pm 10%

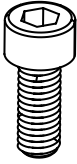
PACKAGE CONTENTS



PART	DESCRIPTION	QUANTITY
A	Power button	1
B	Power indicator LED	1
C	Front / Auxiliary handle	1
D	Coupler	1
E	Lower tube	1
F	Trigger	1
G	Upper tube	1
H	Brush roller	1
I	Guard	1

HARDWARE CONTENTS (Not to scale)

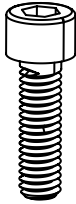
AA



Screw

Qty. 2

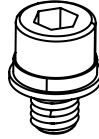
BB



Screw

Qty. 2

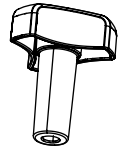
CC



Screw

Qty. 1

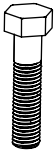
DD



Fastening
Knob

Qty. 1

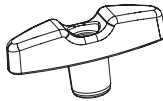
EE



Bolt

Qty. 1

FF



Knob

Qty. 1

GG






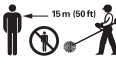




Lower Bracket

Qty. 1




SYMBOLS

Some of the following symbols may be used on this product. Please study them and learn their meaning. Proper interpretation of these symbols will allow you to operate the product better and safer.


SYMBOLS	EXPLANATION
	Indicates a potential personal injury hazard.
	To reduce the risk of injury, user must read instruction manual.
	Wear eye and ear protection.
	Do not expose to rain.
	Beware of thrown objects.
	The distance between the machine and bystanders shall be at least 15 m (50 ft).
	Keep hands away from the rotating brush.
	Remove the battery from the tool when not in use (such as charging, transporting, storing, and maintenance).

SYMBOLS

The following signal words and meanings are intended to explain the levels of risk associated with this product.

SYMBOL	SIGNAL	MEANING
	DANGER	Indicates an imminently hazardous situation, which, if not avoided, will result in death or serious injury.
	WARNING	Indicates a potentially hazardous situation, which, if not avoided, could result in death or serious injury.
	CAUTION	Indicates a potentially hazardous situation, which, if not avoided, may result in minor or moderate injury.
	NOTICE	(Without Safety Alert Symbol) Indicates a situation that may result in property damage.

WARNING

- To avoid serious personal injury, do not attempt to use this product until you have read this owner's manual thoroughly and understand it completely. If you do not understand the warnings and instructions in this owner's manual, do not use this product. Call **888-356-2258** for assistance.
-  The operation of any product can result in foreign objects being thrown into your eyes, which can result in severe eye damage. Before operating a product, always wear safety goggles, safety glasses with side shields, or a full-face shield when needed. A Wide Vision Safety Mask is recommended for use over eyeglasses or standard safety glasses with side shields. Always use eye protection that is marked to comply with ANSI Z87.1.

⚠ WARNING

Read all safety warnings, instructions, illustrations and specifications provided with this power tool. Failure to follow all instructions listed below may result in electric shock, fire and/or serious injury. Save all warnings and instructions for future reference.

The term “product” in the warnings refers to your mains-operated (corded) product or BATTERY operated (cordless) product.

1) Work area safety

- a) **Keep work area clean and well lit.** Cluttered or dark areas invite accidents.
- b) **Do not operate products in explosive atmospheres, such as in the presence of flammable liquids, gases or dust.** Products create sparks which may ignite the dust or fumes.
- c) **Keep children and bystanders away while operating a product.** Distractions can cause you to lose control.

2) Electrical safety

- a) **Product plugs must match the outlet. Never modify the plug in any way. Do not use any adapter plugs with earthed (grounded) products.** Unmodified plugs and matching outlets will reduce risk of electric shock.
 - b) **Avoid body contact with earthed or grounded surfaces, such as pipes, radiators, ranges and refrigerators.** There is an increased risk of electric shock if your body is earthed or grounded.
 - c) **Do not expose products to rain or wet conditions.** Water entering a product will increase the risk of electric shock.
 - d) **Do not abuse the cord. Never use the cord for carrying, pulling or unplugging the product. Keep cord away from heat, oil, sharp edges or moving parts.** Damaged or entangled cords increase the risk of electric shock.
 - e) **When operating a product outdoors, use an extension cord suitable for outdoor use.** Use of a cord suitable for outdoor use reduces the risk of electric shock.
 - f) **If operating a product in a damp location is unavoidable, use a RESIDUAL CURRENT DEVICE (RCD) protected supply.** Use of an RCD reduces the risk of electric shock.
- NOTE: The term “RESIDUAL CURRENT DEVICE (RCD)” may be replaced by the term “ground fault circuit interrupter (GFCI)” or “earth leakage circuit breaker (ELCB)”.

3) Personal safety

- a) **Stay alert, watch what you are doing and use common sense when operating a product. Do not use a product while you are tired or under the influence of drugs, alcohol or medication.** A moment of inattention while operating products may result in serious personal injury.
- b) **Use personal protective equipment. Always wear eye protection.** Protective equipment such as a dust mask, non-skid safety shoes, hard hat or hearing protection used for appropriate conditions will reduce personal injuries.
- c) **Prevent unintentional starting. Ensure the switch is in the off-position before connecting to power source and/or BATTERY pack, picking up or carrying the tool.** Carrying products with your finger on the switch or energizing products that have the switch on invites accidents.
- d) **Remove any adjusting key or wrench before turning the product on.** A wrench or a key left attached to a rotating part of the product may result in personal injury.
- e) **Do not overreach. Keep proper footing and balance at all times.** This enables better control of the product in unexpected situations.
- f) **Dress properly. Do not wear loose clothing or jewelry. Keep your hair and clothing away from moving parts.** Loose clothes, jewellery or long hair can be caught in moving parts.

SAFETY INFORMATION

g) If devices are provided for the connection of dust extraction and collection facilities, ensure these are connected and properly used. Use of dust collection can reduce dust-related hazards.

h) Do not let familiarity gained from frequent use of tools allow you to become complacent and ignore tool safety principles. A careless action can cause severe injury within a fraction of a second.

4) BATTERY tool use and care

a) Remove the battery from the tool when not in use (such as charging, transporting, and storing).

b) Recharge only with the charger specified by the manufacturer. A charger that is suitable for one type of BATTERY pack may create a risk of fire when used with another BATTERY pack.

c) Use products only with specifically designated BATTERY packs. Use of any other BATTERY packs may create a risk of injury and fire.

d) When BATTERY pack is not in use, keep it away from other metal objects, like paper clips, coins, keys, nails, screws or other small metal objects, that can make a connection from one terminal to another. Shorting the BATTERY terminals together may cause burns or a fire.

e) Under abusive conditions, liquid may be ejected from the BATTERY; avoid contact. If contact accidentally occurs, flush with water. If liquid contacts eyes, additionally seek medical help.

Liquid ejected from the BATTERY may cause irritation or burns.

f) Do not use a BATTERY pack or tool that is damaged or modified. Damaged or modified batteries may exhibit unpredictable behavior resulting in fire, EXPLOSION or risk of injury.

g) Do not expose a BATTERY pack or tool to fire or excessive temperature. Exposure to fire or temperature above 130 °C (265 °F) may cause explosion.

h) Follow all charging instructions and do not charge the BATTERY pack or tool outside the temperature range specified in the instructions. Charging improperly or at temperatures outside the specified range may damage the BATTERY and increase the risk of fire.

5) Service

a) Have your product serviced by a qualified repair person using only identical replacement parts. This will ensure that the safety of the product is maintained.

b) Never service damaged BATTERY packs. Service of BATTERY packs should only be performed by the manufacturer or authorized service providers.

WARNING

Use only Kobalt approved replacement batteries. Other batteries may cause injury or damage to the mower. Use only with the battery packs and chargers listed below:

BATTERY PACK: KB 224-03, KB 224-06, KB 324-06A, KB 424-03, KXB 424-03, KB 424A-06A, KB 424-06, KB 524-06A, KB 524-03, KB 624-03, KB 624-06A, KXB 824-03, KXB 824-06A

CHARGER: KRC 2445-03, KCH 2401-03, KDPC 124-03, KRC 2490-03, KCH 2411-03, KRC 2404-03, KCH 324-06, KCH 624-06, KCH 1024-06, KCH 1424-06

For best performance results, use with (2) 4.0 Ah Batteries or higher.

SAFETY INFORMATION

WARNING (PROPOSITION 65)

Some dust created by power sanding, sawing, grinding, drilling, and other construction activities contains chemicals known to cause cancer, birth defects or other reproductive harm. Some examples of these chemicals are:

- Lead from lead-based paints.
- Crystalline silica from bricks and cement and other masonry products, and
- Arsenic and chromium from chemically treated lumber.

Your risk of exposure to these chemicals varies depending on how often you do this type of work. To reduce your exposure to these chemicals, work in a well-ventilated area, and work with approved safety equipment, such as dust masks that are specially designed to filter out microscopic particles.

SERVICE

Servicing requires extreme care and knowledge and should be performed only by a qualified service technician. For service, it is suggested you return the product to your nearest AUTHORIZED SERVICE DEPARTMENT for repair. When servicing, use only identical replacement parts.

SAVE THESE INSTRUCTIONS

PREPARATION

Before beginning assembly of product, make sure all parts are present. Compare parts with package contents list and hardware contents list. If any part is missing or damaged, do not attempt to assemble the product.

Estimated Assembly Time: 5 - 10 minutes

ASSEMBLY INSTRUCTIONS

WARNING

To avoid injury and to reduce the risk of electrical shock or fire:

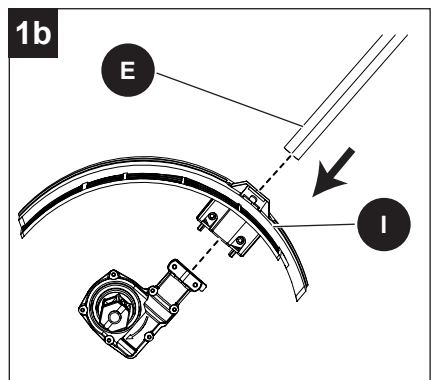
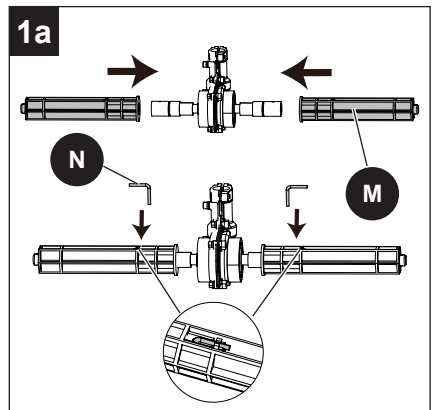
- Replace the battery or charger immediately if the battery case or charger cord is damaged.
- Always make sure the string trimmer switch is OFF before inserting or removing the battery.
- Always make sure the battery is removed and the switch is turned OFF before inspecting, adjusting, or maintaining any other part of the string trimmer.
- Remove the battery from the tool when not in use (such as charging, transporting, and storing).
- Read, understand, and follow the Battery Charger instructions.

1. Installing the guard

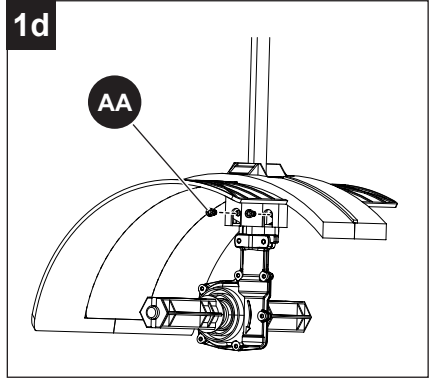
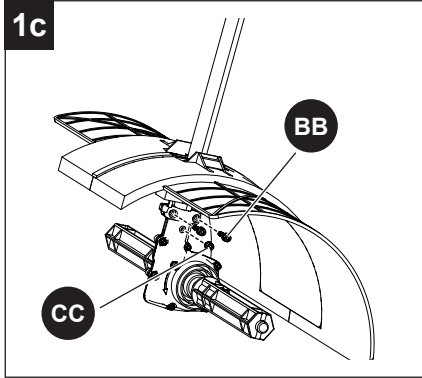
CAUTION

Install the protective guard before the bristle brush is connected to the power head. It should not be removed or disassembled.




- Install the connecting sleeves (M) and lock pin (N).
- Pass the lower tube (E) through the hole in the guard (I) and insert it into the hole of the brush assembly.
- Tighten the screw (CC) to fix the tube.
- Tighten the 2 screws (BB).
- Adjust the guard to your desired position and tighten the 2 screws (AA) to secure the guard.
- Install the brush rollers (L) and hitch pins (K).

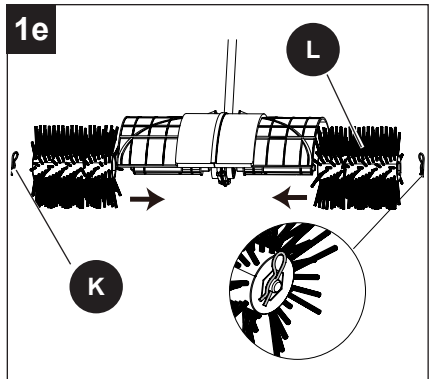


ASSEMBLY INSTRUCTIONS



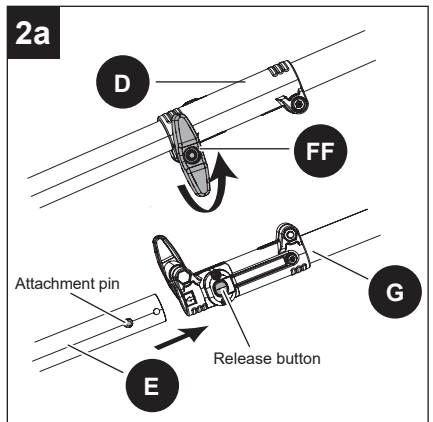
Hardware Used

AA	Screw		x 2
BB	Screw		x 2
CC	Screw		x 1



2. Connecting upper / lower trimmer tubes

- Loosen the knob (FF) on the coupler (D).
- Push in the release button on the lower tube (E).
- Align the attachment pin with the release button on the upper tube (G) and slide the two tubes together.
- Rotate the lower tube (E) until the attachment pin locks into the positioning hole.
- Tighten the knob (FF).



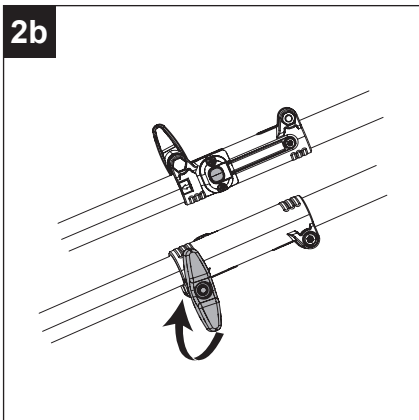
ASSEMBLY INSTRUCTIONS

Hardware Used



! WARNING

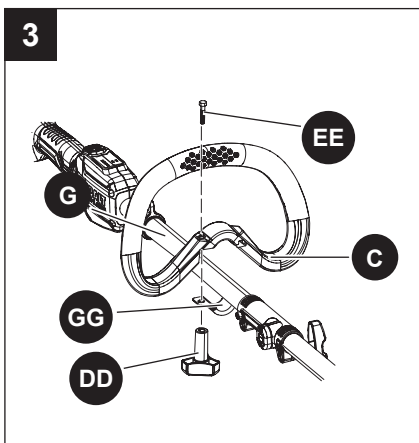
To avoid injury, adjust the auxiliary handle for optimum control and balance. Do not overreach when operating grass trimmer. Keep proper balance at all times for better control of the tool in unexpected situations.



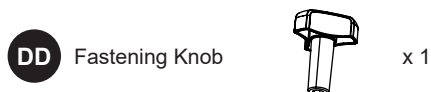
3. Installing the front / auxiliary handle

- Position the front/auxiliary handle (C) onto the upper portion of the trimmer section by sliding over the upper tube (G).
- Once the front/auxiliary handle (C) is in the desired position, align the hole on the handle with the hole on the bracket (GG), then slide the bolt (EE) through the top of the handle and secure with the fastening knob (DD).
- Tighten until there is no movement in the handle.
- The front handle can be adjusted to a suitable position.

Note: Do not overtighten the fastening knob. It could cause the fixed block to break.



Hardware Used



ASSEMBLY INSTRUCTIONS

4. Installing / removing the battery

IMPORTANT

The batteries are not charged when they are purchased. Before using the trimmer for the first time, plug the batteries into the battery charger and charge.

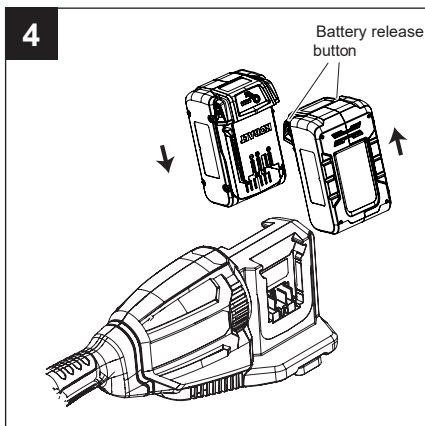
To install the battery

- Make sure that the batteries are fully charged.
- Push the batteries into the battery slots. The batteries lock into position when you hear a click.
- Make sure that both batteries are installed securely.

To remove the battery

- Release the trigger.
- Push the battery release buttons and pull out the batteries to fully stop the operation.

Note: The batteries fit into the battery slots snugly in order to prevent accidental dislodging.



⚠ WARNING

Follow these instructions in order to avoid injury and to reduce the risk of electric shock or fire:

- Replace the battery immediately if the battery case is damaged.
- Verify that the switch is in the OFF position before inserting or removing the battery.
- Verify that the battery is removed and the switch is in the OFF position before inspecting, adjusting, or performing maintenance on any part of the string trimmer.
- Remove the battery from the tool when not in use (such as charging, transporting, and storing).

OPERATING INSTRUCTIONS

1. Starting / stopping the product

IMPORTANT

This tool requires (2) Kobalt 24V batteries to operate.

- Push the power button (A), then pull the trigger (F) to start. Push the power button to adjust the speed. If two bars are illuminated, it indicates high-speed mode; if a single bar is on, it indicates low-speed mode.
- Release the trigger (F) to stop.

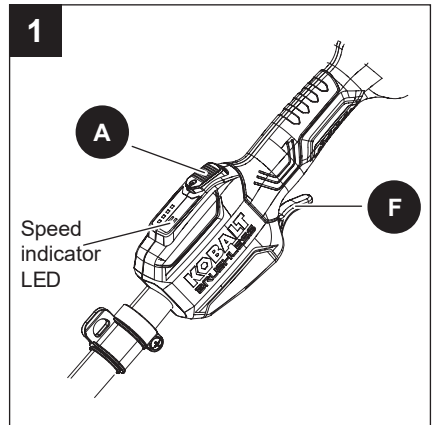
CAUTION

Always allow 5 seconds or more for the product to completely stop after releasing the trigger. Do not invert the product or place your hands under the protective guard until the product has come to a complete stop.

2. Operation tips

⚠WARNING

- Do not allow familiarity with this product to make you careless. Remember that a careless fraction of a second is sufficient to inflict serious injury.
- Always wear eye protection that is marked to comply with ANSI Z87.1. Failure to do so could result in objects being thrown into your eyes and other possible serious injuries.
- Do not use any attachments or accessories not recommended by the manufacturer of this product. The use of attachments or accessories not recommended can result in serious personal injury.
- Dress properly to reduce the risk of injury when operating this tool. Do not wear loose clothing or jewelry. Wear eye protection. Wear heavy, long pants, boots and gloves. Do not wear short pants or sandals or go barefoot.
- If the surface to be cleaned is dry, spray it with water to reduce the amount of dust created.
- Work with the bristle brush forward. Hold the bristle brush with one hand on the rear handle and the other hand on the front-assist handle. Keep a firm grip with both hands while operating the bristle brush.
- Hold and guide the bristle brush at a shallow angle. If the bristle brush is held at too steep an angle, it tends to push back towards the operator.
- Maintain your grip and balance on both feet.



OPERATING INSTRUCTIONS

- Thrown materials may seriously injure the operator or bystander. To reduce the risk of personal injury, it is essential to take the following precautions:
 - Always hold the tool with both hands when operating. Use a firm grip on both handles.
 - Move the bristle brush to the work area before starting and start the bristle brush at a lower speed.
 - To reduce the risk of injury from loss of control, hold and guide the bristle brush at a shallow angle. If the bristle brush is held at too steep an angle, it tends to push back towards the operator.
- Before each use, check for damaged/worn parts. Check the brush roller, guard, front-assist handle, and drive axle and replace any parts that are cracked, warped, bent, or damaged in any way.
- Clean the bristle brush after each use. See the Maintenance section for cleaning instructions.
- To reduce the risk of injury, never work without the guard.
- Ensure the brush roller has come to a complete stop and the battery is removed before cleaning or servicing the bristle brush. Failure to comply could result in possible serious personal injury.

APPLICATIONS

You may use this product for the purpose listed below:

- Cleaning areas and paths, including uneven and jointed surfaces.
- Cleaning the pavement/concrete/asphalt driveways, walkways, and yards.

CARE AND MAINTENANCE

1. General maintenance

Avoid using solvents when cleaning plastic parts. Most plastics are susceptible to damage from various types of commercial solvents and may be damaged by their use. Use a clean cloth to remove dirt, dust, oil, grease, etc.

⚠WARNING

- When servicing, use only identical replacement parts. Use of any other parts may create a hazard or cause product damage. To ensure safety and reliability, all repairs should be performed by a qualified service technician.
- To prevent serious personal injury, remove the battery packs from the power head and wait for the brush roller to stop before servicing, cleaning, changing add-on attachments or when the product is not in use.
- Do not at any time let brake fluids, gasoline, petroleum-based products, penetrating oils, etc., come in contact with plastic parts. Chemicals can damage, weaken, or destroy plastic, which may result in serious personal injury.
- When cleaning the bristle brush attachment, DO NOT immerse it in water or other liquids. Do not clean your machine with a pressure washer. The solid jet of water may damage parts of the machine.

2. Brush roller maintenance

- Clean the brush roller frequently.
- If any of the brush roller needs replacing due to damage, replace both brush rollers for best performance.

⚠WARNING

All bristle brush service, other than the items listed in these maintenance instructions, should be performed by authorized service personnel.

3. Cleaning the unit

- Remove the batteries.
- Clear the pieces of roots, clogged soils, or plants from the brush rollers, guard, or the gear box. For thorough cleaning, remove the brush rollers and guard to wash them thoroughly.
- Keep the air vents free of obstructions.

⚠WARNING

- Before performing maintenance, remove batteries from the tool.
- A damaged brush roller may break into pieces after long-time use, which may cause dangerous projectiles. Thrown objects can cause serious injury. Inspect it regularly and do not operate the bristle brush with worn or damaged parts.

4. Storing the unit

- Remove the battery from the tool when not in use (such as charging, transporting, and storing).
- Clean the tool thoroughly and inspect the brush rollers.
- Remove the bristle brush attachment from the power head and cover the attachment shaft with end cap to avoid dirt getting into the coupling.
- Store the tool in a dry, well-ventilated area, locked-up or up high, out of the reach of children. Do not store the unit on or adjacent to fertilizers, gasoline, or other chemicals.

TROUBLESHOOTING

If you still have questions or an unresolved issue after going through this troubleshooting guide, or just want to speak to a KOBALT product expert, please call our KOBALT customer service department at **888-356-2258**.

PROBLEM	POSSIBLE CAUSE	CORRECTIVE ACTION
Motor fails to start when switch trigger is depressed.	Batteries are not secure.	To secure the batteries, make sure the latches on the battery compartment snap into place.
	Batteries are not charged.	Charge the batteries according to the instructions included with your model.
	Possible wiring or electrical contact problem.	Call KOBALT (888-356-2258) for technical service.
Bristle brush is obviously damaged.	Abnormal damage during transportation or use.	Replace it or contact KOBALT customer service department.

WARRANTY

5-YEAR LIMITED WARRANTY

This Kobalt 24 V×2 String Trimmer Attachment Bristle is warranted to the original purchaser from the original purchase date for five (5) years subject to the warranty coverage described herein.

This Kobalt 24 V×2 String Trimmer Attachment Bristle is warranted for the original user to be free from defects in material and workmanship.

If you believe that the Kobalt 24 V×2 String Trimmer Attachment Bristle is defective at any time during the specified warranty period, simply return the String Trimmer Attachment Bristle along with proof of purchase to the place of purchase for a free replacement or refund, or call **888-3KOBALT (888-356-2258)** for warranty service.

This warranty is void if: defects in materials or workmanship or damages result from repairs or alterations which have been made or attempted by others or the unauthorized use of nonconforming parts; the damage is due to normal wear, damage is due to abuse (including overloading of the tool beyond capacity), improper maintenance, neglect or accident; or the damage is due to the use of the tool after partial failure or use with improper accessories or unauthorized repair or alteration.

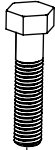
This warranty gives you specific legal rights, and you may also have other rights that vary from state to state.

REPLACEMENT PARTS LIST

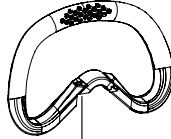
For replacement parts, call our customer service department at **888-356-2258**, 8 a.m. - 8 p.m., EST, Monday - Sunday. You may also contact us at ascs@lowes.com.



DD



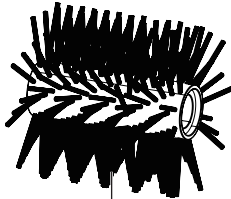
EE



C



GG



H

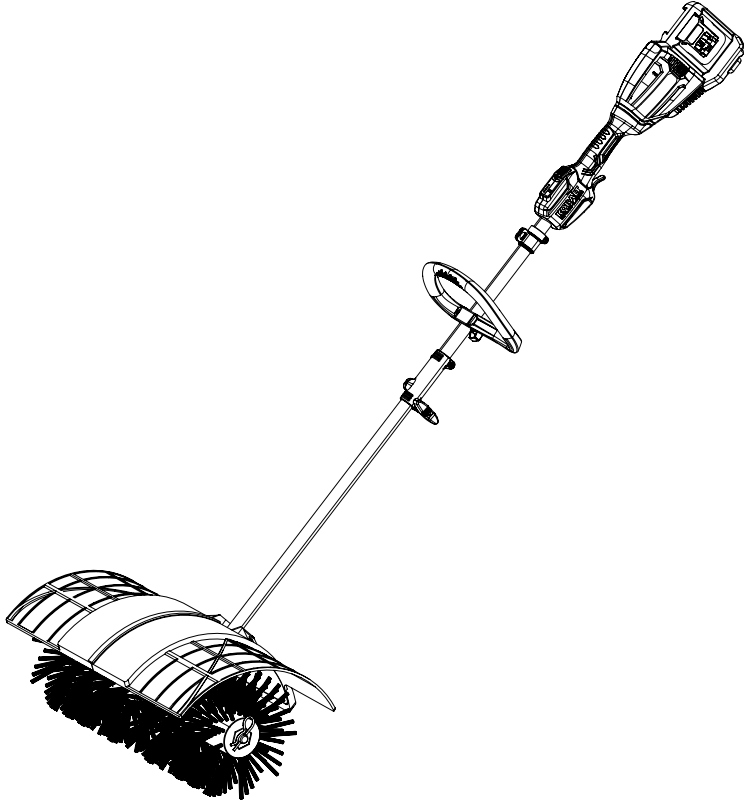
PART	DESCRIPTION	PART #	COVERED UNDER WARRANTY
DD	Fastening knob	R0214516-00	Yes / 1- year
EE	Bolt	R0207110-00	Yes / 1- year
C	Front / Auxiliary handle	R0207109-00	Yes / 1- year
GG	Lower bracket	R0202491-00	Yes / 1- year
H	Replacement Brush	R0214525-00	Yes / 1- year

KOBALT™

ARTÍCULO #9355741
MODELO #KABK 3265-06A

KOBALT y el diseño del logotipo son marcas comerciales o marcas registradas de LF, LLC. Todos los derechos reservados.

KIT DE ACCESORIOS PARA CEPILLO DE CERDAS



Número de serie _____

Fecha de compra _____

Gracias por comprar este producto KOBALT.
¿Preguntas, problemas o piezas faltantes?
Antes de devolver, póngase en contacto con nosotros en:
888-356-2258, de lunes a domingo, de 8 a.m. a 8 p.m., hora estándar del Este, o
escriba a ascsc@lowes.com.

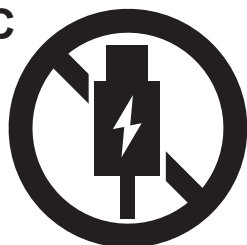


ADVERTENCIA

**NO CARGUE LA BATERÍA USB-C
EN LA HERRAMIENTA.**

Esto dañará el producto y
puede provocar un incendio.

Retire la batería de la herramienta
cuando no esté en uso (por ejemplo,
durante la carga, el transporte y
el almacenamiento.) Esto también
evita que la herramienta se ponga
en marcha accidentalmente.



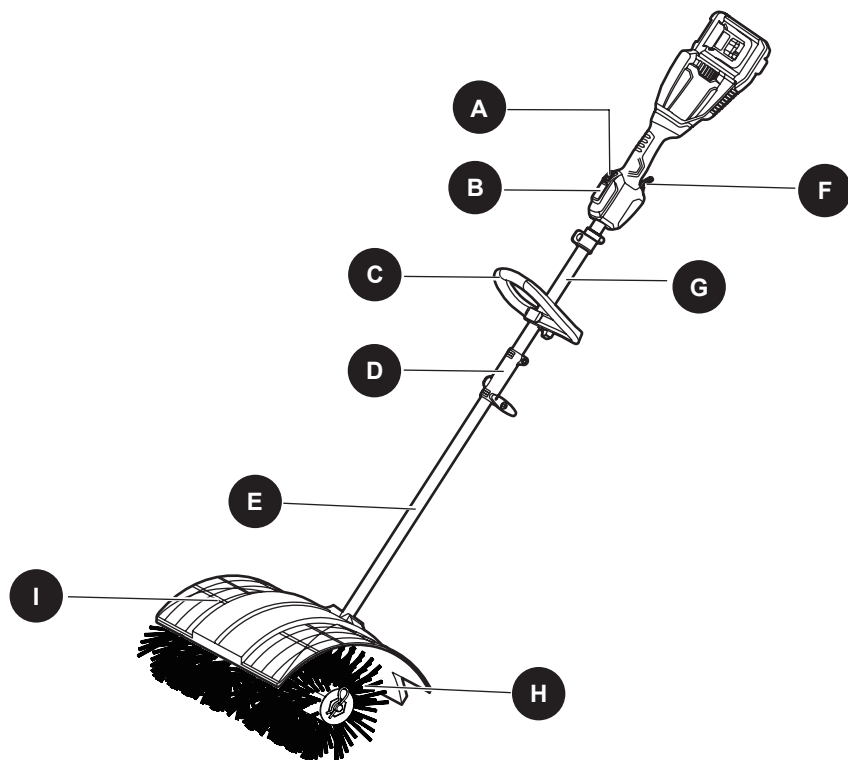
ÍNDICE

Especificaciones del producto.....	23
Contenido del paquete.....	24
Aditamentos.....	25
Símbolos.....	26
Información de seguridad.....	28
Preparación.....	31
Instrucciones para el ensamblaje.....	31
Instrucciones de uso.....	35
Cuidado y mantenimiento	37
Detección de problemas.....	38
Garantía.....	39
Lista de piezas de repuesto.....	40

ESPECIFICACIONES DEL PRODUCTO

ESPECIFICACIONES	
Voltaje	48 V CC
Velocidad sin carga	170/190 RPM \pm 10%

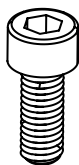
CONTENIDO DEL PAQUETE



PIEZA	DESCRIPCIÓN	CANTIDAD
A	Botón de encendido	1
B	LED indicador de alimentación	1
C	Mango frontal y auxiliar	1
D	Acoplador	1
E	Tubo inferior	1
F	Gatillo	1
G	Tubo superior	1
H	Cepillo giratorio	1
I	Protector	1

ADITAMENTOS (no se muestran a escala)

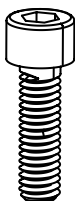
AA



Tornillo

Cantidad. 2

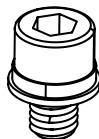
BB



Tornillo

Cantidad. 2

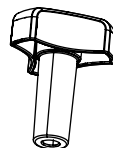
CC



Tornillo

Cantidad. 1

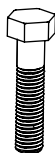
DD



Perilla de
sujeción

Cantidad. 1

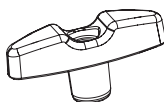
EE



Perno

Cantidad. 1

FF



Perilla

Cantidad. 1

GG



Abrazadera
inferior

Cantidad. 1




SÍMBOLOS

Algunos de los siguientes símbolos pueden aplicarse al uso de este producto. Obsérvelos y aprenda su significado. La interpretación correcta de estos símbolos le permitirá utilizar el producto de manera eficaz y segura.

SÍMBOLOS	DESIGNACIÓN
	Indica que existe el riesgo de que se produzcan lesiones personales.
	Para reducir el riesgo de lesiones, el usuario debe leer el manual de instrucciones.
	Use protección para los ojos y los oídos.
	No lo exponga a la lluvia.
	Cuidado con los objetos arrojados.
	La distancia entre la máquina y los transeúntes debe ser de al menos 15.24 m (50 pies).
	Mantenga las manos alejadas del cepillo en rotación.
	Retire la batería de la herramienta cuando no la esté utilizando (por ejemplo, para cargarla, transportarla, almacenarla o realizarle mantenimiento).


SÍMBOLOS

Las siguientes palabras de señalización y sus significados tienen el objeto de explicar los niveles de riesgo relacionados con este producto.

SÍMBOLO	SEÑAL	SIGNIFICADO
	PELIGRO	Indica una situación de peligro inminente que, si no es prevenida, causará la muerte o lesiones severas.
	ADVERTENCIA	Indica una situación de peligro potencial que, si no es prevenida, podría causar la muerte o lesiones severas.
	PRECAUCIÓN	Indica una situación de peligro potencial que, si no es prevenida, puede causar lesiones menores o moderadas.
	AVISO	(Sin el símbolo de alerta de seguridad) Indica una situación que puede causar daños materiales.

ADVERTENCIA

- Para evitar lesiones corporales serias, no intente utilizar este producto sin haber leído y comprendido totalmente el manual del operador. Si no comprende los avisos de advertencia y las instrucciones del manual del operador, no utilice este producto. Llame al **888-356-2258** para obtener ayuda.

-  Cualquier producto en funcionamiento puede lanzar objetos hacia los ojos, lo cual puede causar serios daños a los mismos. Antes de iniciar la operación de herramientas de corriente, siempre utilice gafas de seguridad, gafas de seguridad con protección lateral, y en la medida en que sea necesario, un protector para toda la cara. Se recomienda una máscara de seguridad de visión amplia sobre los lentes o las gafas de seguridad estándar con protección lateral. Siempre póngase protección ocular con la marca de cumplimiento de la norma ANSI Z87.1.

ADVERTENCIA

Lea todas las advertencias de seguridad, instrucciones, imágenes y especificaciones que se incluyen con esta herramienta eléctrica. *No seguir todas las instrucciones que se detallan a continuación podría provocar descargas eléctricas, incendios o lesiones graves.*

Guarde todas las advertencias e instrucciones para referencia futura.

El término “producto” que aparece en las advertencias se refiere al producto que se conecta a la línea principal (con cable) o al producto que funciona con BATERÍA (inalámbrico).

1) Seguridad en el área de trabajo

a) **Mantenga el área de trabajo limpia y bien iluminada.** Las áreas desordenadas u oscuras aumentan las posibilidades de accidentes.

b) **No utilice productos en atmósferas en las que exista riesgo de explosión, como por ejemplo en presencia de líquidos, gases o polvo inflamables.** Los productos producen chispas que podrían encender el polvo o el humo.

c) **Mantenga a los niños y espectadores alejados durante la operación de un producto.** Las distracciones pueden provocar que pierda el control.

2) Seguridad eléctrica

a) **Los enchufes del producto deben encajar en el tomacorriente. Nunca modifique el enchufe de ningún modo. No utilice ningún enchufe adaptador con productos con puesta a tierra.** Los enchufes sin modificaciones y que encajan en los tomacorrientes reducen el riesgo de descarga eléctrica.

b) **Evite el contacto del cuerpo con superficies conectadas a tierra, como tuberías, radiadores, estufas o refrigeradores.** Si su cuerpo tiene conexión a tierra, existe un riesgo mayor de sufrir una descarga eléctrica.

c) **No exponga los productos a la lluvia ni a condiciones de humedad.** Si ingresa agua en un producto, aumentará el riesgo de descarga eléctrica.

d) **No maltrate el cable. Nunca use el cable para transportar, jalar o desenchufar el producto. Mantenga el cable alejado del calor, el aceite, los bordes filosos o las piezas en movimiento.** Los cables dañados o enredados aumentan el riesgo de descarga eléctrica.

e) **Si opera un producto en exteriores, use una extensión eléctrica apropiada para su uso en exteriores.** El uso de un cable adecuado para uso en exteriores reduce el riesgo de sufrir una descarga eléctrica.

f) **Si es inevitable utilizar un producto en un lugar húmedo, use un suministro protegido con un DISPOSITIVO DE CORRIENTE RESIDUAL (RCD, por sus siglas en inglés).** El uso de un RCD disminuye el riesgo de descargas eléctricas.

NOTA: el término “DISPOSITIVO DE CORRIENTE RESIDUAL (RCD)” puede reemplazarse por el término “interruptor de circuito de falla de puesta a tierra (GFCI, por sus siglas en inglés)” o “interruptor de circuito de puesta a tierra (ELCB, por sus siglas en inglés)”.

3) Seguridad personal

a) **Manténgase alerta, preste atención a lo que hace y utilice el sentido común cuando utilice un producto. No utilice un producto si está cansado o bajo los efectos de drogas, alcohol o medicamentos.** Un momento de desatención mientras opera productos puede provocar lesiones personales graves.

b) **Use un equipo de protección personal. Use siempre lentes de protección.** Los equipos de protección, como las mascarillas antipolvo, los zapatos de seguridad antideslizantes, los cascos o los auriculares de seguridad, que se usan en las condiciones adecuadas disminuyen el riesgo de sufrir lesiones.

c) **Evite un arranque accidental. Antes de conectar la herramienta a la fuente de alimentación o al paquete de BATERÍAS o antes de levantarla o transportarla, asegúrese de que el interruptor esté en la posición de apagado.** Transportar productos con el dedo en el interruptor o enchufarlos con el interruptor encendido aumenta las posibilidades de accidentes.

d) **Retire todas las llaves de ajuste o llaves inglesas antes de encender el producto.** Si se deja una llave conectada a una pieza giratoria del producto, se podrían producir lesiones personales.

e) **No se extienda demasiado. Mantenga una postura y un equilibrio adecuados en todo momento.** Esto permite un mejor control del producto en situaciones inesperadas.

f) **Use ropa adecuada. No use ropa holgada ni joyas. Mantenga el cabello y la ropa alejados de las piezas en movimiento.** La ropa holgada, las joyas o el cabello largo pueden quedar atrapados en las piezas en movimiento.

g) **Si se proporcionan dispositivos para la conexión de instalaciones de extracción y recolección de polvo, asegúrese de que se conecten y se usen de manera adecuada.** La recolección de polvo puede disminuir los peligros relacionados con este.

h) **No permita que la familiaridad del uso frecuente de las herramientas lo haga no tener en cuenta los principios de seguridad en el manejo de las herramientas.** Un descuido puede ocasionar una lesión grave en cuestión de segundos.

4) Uso y cuidado de herramientas con BATERÍA

a) **Retire la batería de la herramienta cuando no la esté utilizando (por ejemplo, para cargarla, transportarla o guardarla).**

b) **Recargue únicamente con el cargador especificado por el fabricante.** Un cargador adecuado para un tipo de paquete de BATERÍAS puede generar un riesgo de incendio cuando se usa con otro paquete de BATERÍAS.

c) **Use productos solo con paquetes de BATERÍAS designados específicamente.** El uso de cualquier otro paquete de BATERÍAS puede crear un riesgo de lesión e incendio.

d) **Cuando el paquete de BATERÍAS no está en uso, aléjelo de objetos metálicos, como sujetapapeles, monedas, llaves, clavos, tornillos u otros objetos metálicos pequeños que pudieran crear una conexión entre los terminales.** Si se conectan las terminales de la BATERÍA, es posible que se produzcan quemaduras o un incendio.

e) **En condiciones de mal uso, es posible que salga líquido de la BATERÍA; evite el contacto. Si entra en contacto por accidente, enjuague la zona comprometida con agua. Si el líquido entra en contacto con los ojos, solicite atención médica.** El líquido que sale de la BATERÍA puede provocar irritación o quemaduras.

f) **No use un paquete de BATERÍAS ni una herramienta si están dañados o modificados.** Las baterías dañadas o modificadas pueden tener reacciones impredecibles, que podrían provocar incendios y EXPLOSIONES o suponer un mayor riesgo de sufrir lesiones.

g) **No exponga el paquete de BATERÍAS ni la herramienta al fuego o a una temperatura excesiva.** La exposición al fuego o a temperaturas por encima de los 130 °C (265 °F) puede causar una explosión.

h) **Siga todas las instrucciones de carga y no cargue el paquete de BATERÍAS ni la herramienta fuera del rango de temperatura especificado en las instrucciones.** La carga inadecuada o a temperaturas fuera del rango especificado podría dañar la BATERÍA y aumentar el riesgo de incendio.

5) Reparación

a) **Permita que solo una persona capacitada repare el producto, mediante el uso solo de piezas de repuesto idénticas.** Esto garantizará que se mantenga la seguridad del producto.

b) **Nunca realice mantenimiento a los paquetes de BATERÍAS.** Solo el fabricante o los proveedores de servicio autorizados pueden realizar el mantenimiento de los paquetes de BATERÍAS.

INFORMACIÓN DE SEGURIDAD

ADVERTENCIA

Utilice únicamente baterías de reemplazo aprobadas por Kobalt. Otras baterías pueden causar lesiones o daños a la podadora. Use solamente los paquetes de baterías y los cargadores que se indican a continuación:

PAQUETE DE BATERÍAS: KB 224-03, KB 224-06, KB 324-06A, KB 424-03, KXB 424-03, KB 424A-06A, KB 424-06, KB 524-06A, KB 524-03, KB 624-03, KB 624-06A, KXB 824-03, KXB 824-06A

CARGADOR: KRC 2445-03, KCH 2401-03, KDPC 124-03, KRC 2490-03, KCH 2411-03, KRC 2404-03, KCH 324-06, KCH 624-06, KCH 1024-06, KCH 1424-06

Para obtener mejores resultados de rendimiento, utilice con (2) baterías de 4.0 Ah o superiores.

ADVERTENCIA (PROPUESTA 65)

Algo del polvo provocado por las lijadoras, sierras, trituradoras y taladros eléctricos, y otras actividades de construcción contiene productos químicos reconocidos como causantes de cáncer y defectos congénitos u otros daños en el aparato reproductivo. Algunos ejemplos de estos productos químicos son:

- plomo de pinturas con base de plomo,
- sílice cristalina de ladrillos, cemento y otros productos de mampostería,
- arsénico y cromo de madera tratada con químicos.

El riesgo que corre a la exposición de estos químicos varía dependiendo de la frecuencia con que realiza estos tipos de trabajos. Para reducir la exposición a estos productos químicos: trabaje en un área bien ventilada y con el equipamiento de seguridad aprobado, como por ejemplo máscaras especialmente diseñadas para filtrar las partículas microscópicas.

MANTENIMIENTO

El mantenimiento del producto requiere extremo cuidado y conocimientos técnicos, por lo cual solo debe ser efectuado por un técnico de servicio calificado. Para realizar el mantenimiento, le recomendamos llevar el producto al CENTRO DE SERVICIO AUTORIZADO más cercano para su reparación. Al realizar mantenimiento, utilice solo piezas de repuesto idénticas a las de fabricación.

GUARDE ESTAS INSTRUCCIONES

PREPARACIÓN

Antes de empezar a ensamblar del producto, asegúrese de tener todas las piezas. Compare las piezas con la lista del contenido del paquete y la lista de aditamentos. Si hay piezas faltantes o dañadas, no intente ensamblar el producto.

Tiempo aproximado de ensamblaje: 5 - 10 minutos

INSTRUCCIONES PARA EL ENSAMBLAJE

⚠ ADVERTENCIA

Para evitar lesiones y disminuir el riesgo de descargas eléctricas o incendio:

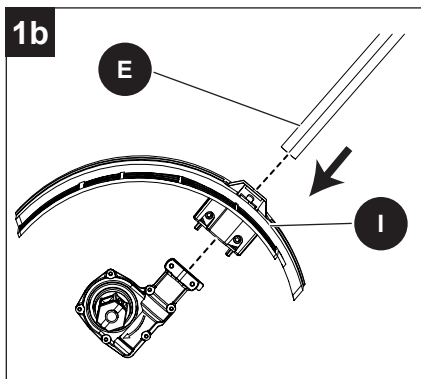
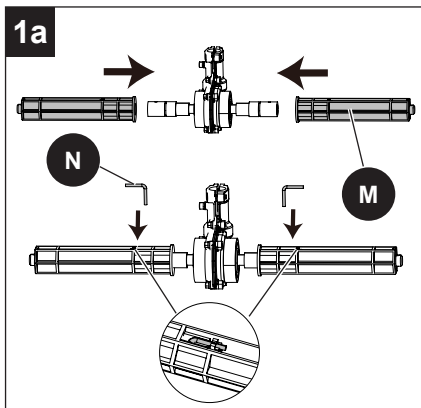
- Reemplace inmediatamente la batería o el cargador si la funda de la batería o el cable del cargador están dañados.
- Siempre asegúrese de que el interruptor de la orilladora esté apagado antes de insertar o retirar la batería.
- Asegúrese siempre de retirar la batería y de que el interruptor esté apagado antes de inspeccionar, ajustar o dar mantenimiento a cualquier pieza de la orilladora.
- Retire la batería de la herramienta cuando no la esté utilizando (por ejemplo, para cargarla, transportarla o guardarla).
- Lea, comprenda y siga las instrucciones del cargador de la batería.

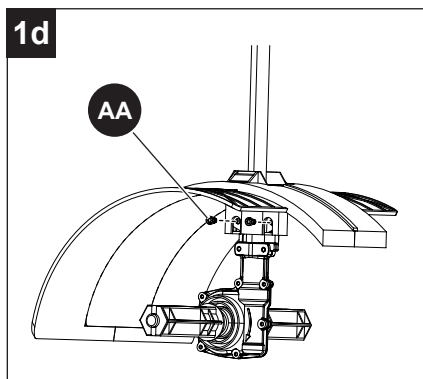
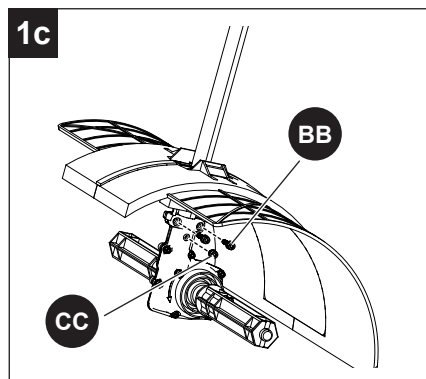
1. Instalación del protector

PRECAUCIÓN




Instale el protector antes de conectar el cepillo de cerdas al cabezal de potencia. No se debe retirar ni desmontar.

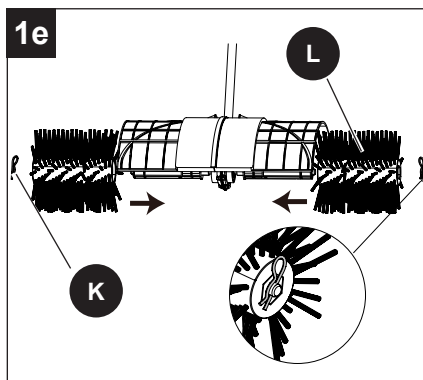
- Instale las fundas de conexión (M) y el pasador de bloqueo (N).
- Pase el tubo inferior (E) a través del orificio de la protección (I) e insértelo en el orificio del ensamble del cepillo.
- Apriete el tornillo (CC) para fijar el tubo.
- Apriete los 2 tornillos (BB).
- Ajuste el protector a la posición deseada y apriete los 2 tornillos (AA) para asegurar el protector.
- Instale los cepillos giratorios (L) y los pasadores de enganche (K).





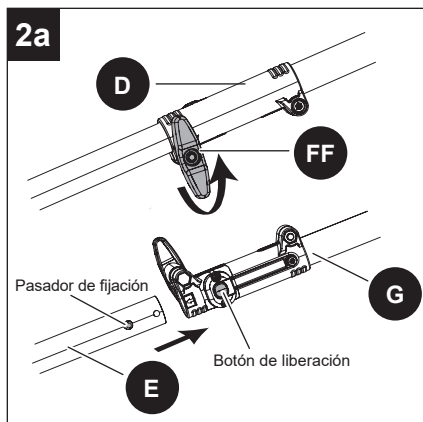
Aditamentos utilizados

- | | | | |
|-----------|----------|---|-----|
| AA | Tornillo |  | x 2 |
| BB | Tornillo |  | x 2 |
| CC | Tornillo |  | x 1 |



2. Conexión de los tubos superior e inferior de la orilladora

- Afloje la perilla (FF) en el acoplador (D).
- Presione el botón de liberación en el tubo inferior (E).
- Alinee el pasador de fijación con el botón de liberación en el tubo superior (G) y deslice los dos tubos juntos.
- Gire el tubo inferior (E) hasta que el pasador de fijación se trabe en el orificio de posicionamiento.
- Apriete la perilla (FF).

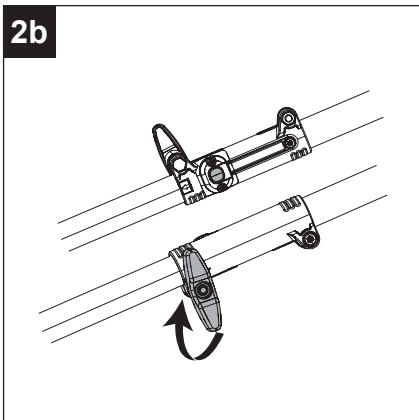


Aditamentos utilizados



⚠ ADVERTENCIA

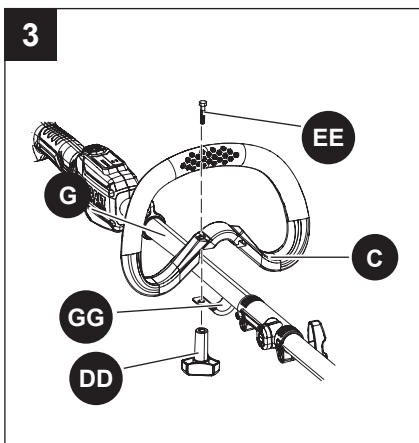
Para evitar lesiones, ajuste el mango auxiliar para obtener un equilibrio y un control óptimos. No se incline demasiado cuando opere la orilladora. Mantenga el equilibrio todo el tiempo para controlar mejor la herramienta en situaciones inesperadas.



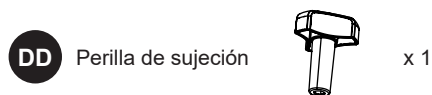
3. Instalación del mango frontal y auxiliar

- Coloque el mango delantero/auxiliar (C) en la porción superior de la sección de la orilladora al deslizarla sobre el tubo superior (G).
- Una vez que el mango delantero/auxiliar (C) esté en la posición deseada, alinee el orificio en el mango con el orificio en la abrazadera inferior (GG), luego deslice el perno (EE) a través de la parte superior del mango y asegúrelo con la perilla de sujeción (DD).
- Apriete hasta que no haya movimiento en el mango.
- El mango frontal se puede ajustar a una posición adecuada.

Nota: no apriete demasiado la perilla de sujeción, podría hacer que el bloque fijo se rompa.



Aditamentos utilizados



4. Instalación y remoción de la batería

IMPORTANTE

Las baterías no vienen cargadas cuando se compran. Antes de usar la orilladora por primera vez, inserte las baterías en el cargador de baterías y cárguelas.

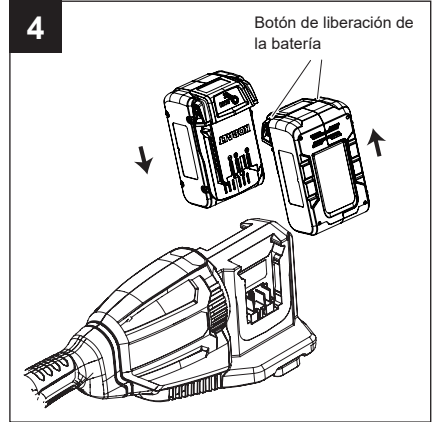
Para instalar la batería

- Asegúrese de que las baterías estén completamente cargadas.
- Empuje las baterías en las ranuras de las baterías. Las baterías se bloquean en su posición cuando escucha un clic.
- Asegúrese de que ambas baterías están instaladas de forma segura.

Para retirar la batería

- Suelte el gatillo.
- Presione los botones de liberación de las baterías y extraiga las baterías para detener completamente su funcionamiento.

Nota: las baterías encajan en las ranuras para las baterías con firmeza, de modo que se evite el desprendimiento accidental.



⚠ ADVERTENCIA

Siga estas instrucciones para evitar lesiones y reducir el riesgo de descarga eléctrica o incendio:

- Reemplace la batería inmediatamente si la funda de la batería está dañada.
- Verifique que el interruptor esté en la posición de apagado antes de insertar o retirar la batería.
- Verifique que haya retirado la batería y que el interruptor esté en la posición de apagado antes de inspeccionar, ajustar o realizar mantenimiento en cualquier pieza de la orilladora.
- Retire la batería de la herramienta cuando no la esté utilizando (por ejemplo, para cargarla, transportarla o guardarla).

INSTRUCCIONES DE USO

1. Arranque y detención del producto

IMPORTANTE

Esta herramienta requiere (2) baterías Kobalt de 24 V para funcionar.

- Presione el botón de encendido (A), luego apriete el gatillo (F) para comenzar. Presione el botón de encendido para ajustar la velocidad. Si dos barras están iluminadas, indica el modo de alta velocidad; si una sola barra está encendida, representa el funcionamiento a baja velocidad.
- Suelte el gatillo (F) para detener la operación.

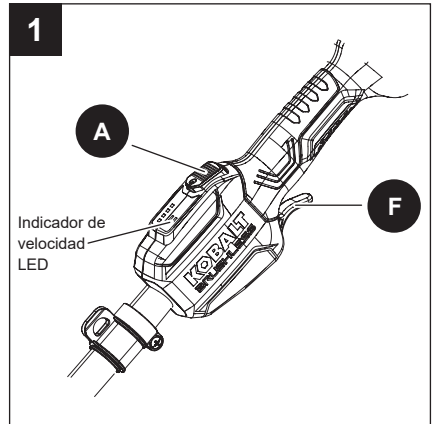
PRECAUCIÓN

Después de soltar el gatillo, siempre espere 5 segundos o más hasta que el producto se detenga completamente. No invierta el producto ni coloque las manos debajo del protector hasta que el producto se haya detenido por completo.

2. Consejos de funcionamiento

⚠ ADVERTENCIA

- No permita que la familiaridad con este producto lo vuelva descuidado. Recuerde que un descuido de una fracción de segundo es suficiente para provocar lesiones graves.
- Siempre use lentes de protección que cumplan con la norma ANSI Z87.1. De lo contrario, los objetos que salgan despedidos pueden ingresar a los ojos y causar otras lesiones graves.
- No use ningún complemento o accesorio que el fabricante de este producto no recomiende. El uso de acoplamientos o accesorios no recomendados puede producir lesiones personales graves.
- Use ropa adecuada para reducir el riesgo de lesiones cuando opere esta herramienta. No use ropa holgada ni joyas. Utilice protección ocular. Use pantalones largos y pesados, botas y guantes. No use pantalones cortos ni sandalias, ni tenga los pies descalzos.
- Si la superficie a limpiar está seca, rocíela con agua para reducir la cantidad de polvo que se genera.
- Trabaje con el cepillo de cerdas hacia adelante. Sostenga el cepillo de cerdas con firmeza, coloque una mano en el mango posterior y la otra mano en el mango frontal. Agarre el cepillo de cerdas firmemente con ambas manos mientras lo utiliza.
- Sostenga y guíe el cepillo de cerdas en un ángulo poco profundo. Si el cepillo de cerdas se sostiene en un ángulo demasiado pronunciado, tiende a empujar hacia el operador.
- Sosténgala y mantenga el equilibrio con ambos pies.



INSTRUCCIONES DE USO

- Los materiales que salen despedidos pueden provocar daños graves al operador o a las personas que se encuentren cerca. Para reducir el riesgo de sufrir lesiones personales, es fundamental que tome las siguientes precauciones:
 - Siempre sostenga la herramienta con ambas manos cuando la utilice. Sujete los mangos con firmeza.
 - Mueva el cepillo de cerdas al área de trabajo antes de comenzar y enciéndalo a una velocidad más baja.
 - Para reducir el riesgo de lesiones por pérdida de control, sostenga y guíe el cepillo de cerdas en un ángulo poco profundo. Si el cepillo de cerdas se mantiene en un ángulo demasiado pronunciado, tiende a empujar hacia atrás hacia el operador.
- Revise si hay piezas dañadas o desgastadas antes de cada uso. Verifique el cepillo giratorio, el protector, el mango de ayuda frontal y el eje motor. Reemplace cualquier pieza que esté agrietada, deformada, doblada o dañada de alguna manera.
- Limpie el cepillo de cerdas después de cada uso. Para obtener instrucciones sobre la limpieza del producto, consulte la sección Mantenimiento.
- Para reducir el riesgo de que se produzcan lesiones, nunca trabaje sin el protector.
- Antes de limpiar o reparar el cepillo de cerdas, asegúrese de que el cepillo giratorio se haya detenido por completo y se haya retirado la batería. No cumplir con esto podría provocar lesiones personales graves.

APLICACIONES

Puede usar este producto para los fines que se indican a continuación:

- Limpieza de áreas y caminos, incluidas superficies irregulares y con juntas.
- Limpieza de entradas de garaje, caminos y patios de pavimento/concreto/asfalto.

1. Mantenimiento general

Evite utilizar solventes para limpiar las piezas de plástico. La mayoría de los plásticos tienden a dañarse si se usan distintos tipos de solventes comerciales. Utilice un paño limpio para eliminar la suciedad, el polvo, el aceite, la grasa, etc.

ADVERTENCIA

- Al realizar mantenimiento, utilice solo piezas de repuesto idénticas. El uso de cualquier otra pieza puede ser peligroso o causar daños en el producto. Para garantizar la seguridad y confiabilidad, toda reparación debe realizarse por un técnico de reparación calificado.
- Para evitar que se produzcan lesiones personales graves, retire los paquetes de baterías del cabezal de potencia y espere a que el cepillo giratorio se detenga antes de realizar el mantenimiento, limpiar, cambiar los accesorios adicionales o cuando no utilice el producto.
- Nunca deje que el líquido de frenos, la gasolina, los productos a base de petróleo, los aceites penetrantes, entre otros entren en contacto con las piezas de plástico. Los productos químicos pueden dañar, debilitar o destruir el plástico, lo que puede resultar en lesiones graves.
- Al limpiar el accesorio del cepillo de cerdas, NO lo sumerja en agua ni en otros líquidos. No limpie la máquina con un equipo de lavado con agua a presión. El chorro sólido de agua puede dañar las piezas de la máquina.

2. Mantenimiento del cepillo giratorio

- Limpie el cepillo giratorio con frecuencia.
- Si alguno de los cepillos giratorios necesita reemplazarse debido a algún daño, reemplace ambos cepillos giratorios para obtener un mejor rendimiento.

ADVERTENCIA

Solo el personal de mantenimiento autorizado debe llevar a cabo el mantenimiento que requiera el cepillo de cerdas, salvo que se trate de los artículos que figuran en estas instrucciones de mantenimiento.

3. Limpieza de la unidad

- Retire las baterías.
- Limpie los pedazos de raíces, la tierra o las plantas atascadas en los cepillos giratorios, el protector o la caja de velocidades. Para realizar una limpieza profunda, retire los cepillos giratorios y el protector para lavarlos por completo.
- Mantenga los orificios de ventilación libres de obstrucciones.

ADVERTENCIA

- Antes de realizar mantenimiento, retire las baterías de la herramienta.
- Un cepillo giratorio dañado puede romperse en pedazos después de un uso prolongado, lo que puede provocar proyectiles peligrosos. Los objetos que lance la cultivadora pueden ocasionar lesiones graves. Inspeccione periódicamente y no opere el cepillo de cerdas con piezas desgastadas o dañadas.

4. Almacenamiento de la unidad

- Retire la batería de la herramienta cuando no la esté utilizando (por ejemplo, para cargarla, transportarla o guardarla).
- Limpie bien la herramienta e inspeccione los cepillos giratorios.
- Retire el accesorio del cepillo de cerdas del cabezal de potencia y coloque la tapa del extremo en el mango del accesorio para evitar que la suciedad ingrese al acoplador.
- Guarde la herramienta en un lugar seco y bien ventilado, alto o con seguro y fuera del alcance de los niños. No almacene la unidad sobre o cerca de fertilizantes, gasolina u otros químicos.

SOLUCIÓN DE PROBLEMAS

Si continua teniendo dudas o algún otro asunto sin resolver tras haber consultado esta guía de resolución de problemas o simplemente desea hablar con un experto en productos Kobalt, llame al Departamento de Servicio al Cliente de Kobalt al **888-356-2258**.

PROBLEMA	CAUSA POSIBLE	ACCIÓN CORRECTIVA
El motor no arranca cuando se presiona el gatillo del interruptor.	Las baterías no son seguras.	Para asegurar las baterías, asegúrese de que los pestillos del compartimiento de la batería encajen en su lugar.
	Las baterías no están cargadas.	Cargue las baterías según las instrucciones incluidas con su modelo.
	Posible problema de cableado o de contactos eléctricos.	Llame a KOBALT (888-356-2258) para obtener servicio técnico.
El cepillo de cerdas está claramente dañado.	Daños anormales durante el transporte o el uso.	Reemplácela o comuníquese con el Departamento de Servicio al Cliente de KOBALT.

GARANTÍA

5 AÑOS DE GARANTÍA LIMITADA

Este accesorio de cerdas para orilladora Kobalt de 24 V × 2 está garantizado para el comprador original desde la fecha de compra original durante cinco (5) años y está sujeto a la cobertura de garantía que se describe en el presente.

Este accesorio de cerdas para orilladora Kobalt de 24 V × 2 tiene una garantía para el usuario original contra defectos en los materiales y la mano de obra.

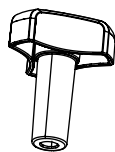
Si cree que el accesorio de cerdas para orilladora Kobalt de 24 V × 2 está defectuoso en cualquier momento durante el período de garantía especificado, simplemente devuelva el accesorio de cerdas para orilladora junto con el comprobante de compra al lugar de compra para obtener un reemplazo gratuito o un reembolso, o llame al **888-3KOBALT (888-356-2258)** para obtener servicio de garantía.

Esta garantía es nula si: los defectos en los materiales o la mano de obra o los daños han sido causados por reparaciones o modificaciones hechas o que se hayan intentado hacer por parte de terceros o el uso no autorizado de piezas incompatibles; el daño es debido al desgaste normal; el daño es debido al abuso (lo que incluye la sobrecarga de la herramienta por encima de su capacidad), mantenimiento inadecuado, negligencia o accidente; o el daño es debido al uso de la herramienta después de una falla parcial, el uso con accesorios inadecuados o reparaciones o alteraciones no autorizadas.

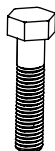
Esta garantía le otorga derechos legales específicos, pero podría tener también otros derechos que varían según la provincia.

LISTA DE PIEZAS DE REPUESTO

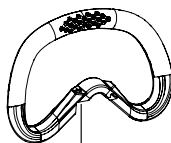
Para obtener piezas de repuesto, llame a nuestro Departamento de Servicio al Cliente al **888-356-2258**, de lunes a domingo de 8 a.m. a 8 p.m., hora estándar del Este. También puede ponerse en contacto con nosotros a través de asc@lowes.com.



DD



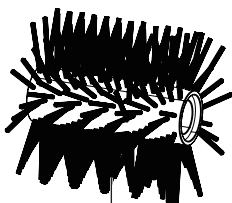
EE



C



GG



H

PIEZA	DESCRIPCIÓN	PIEZA #	CUBIERTO POR LA GARANTÍA
DD	Perilla de sujeción	R0214516-00	Sí / 1 año
EE	Perno	R0207110-00	Sí / 1 año
C	Mango frontal y auxiliar	R0207109-00	Sí / 1 año
GG	Abrazadera inferior	R0202491-00	Sí / 1 año
H	Cepillo de reemplazo	R0214525-00	Sí / 1 año

Rev B

