











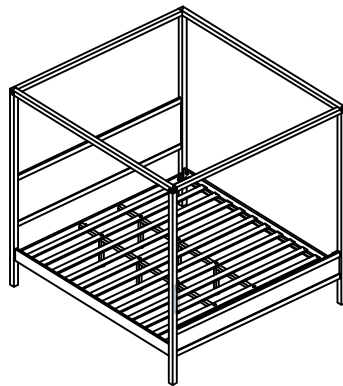
# Assembly Instructions

caution: You must read this before you proceed

## Care & Maintenance

- ⊘  • Not for commercial use. For residential use only.
- ⊘  • Do not put hot items directly on furniture surface.
- ⊘  • Do not clean furniture with harsh cleansers or polish.
- ⊘  • Do not place furniture under direct sunlight.
- ⊘  • Do not place furniture near heating or cooling vents.
- ⊘  • Do not write on furniture without a padded barrier to protect the surface.
- ⊘  • Do not place furniture outside . For indoor use only.
- ⊘  • Stains may be removed with mild soap solution and damp cloth.
- ⊘  • Children should not climb or jump on the furniture.
- ✓  • Dust and pick-up spills using a clean, non-colored, lint-free cloth.

## King Bed





## **WARNING** **STRANGULATION HAZARD.**

NEVER place bed near windows where cords from blinds or drapes may strangle a child.  
NEVER suspend strings over bed.  
NEVER place items with a string, cord, or ribbon, such as hood strings or pacifier cords, around a child's neck. These items may catch on bed parts.  
ALWAYS follow assembly instructions.



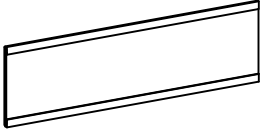




## **WARNING!**









Not intended for children under the age of six. INFANTS HAVE DIED FROM BECOMING ENTRAPPED IN BEDS. Openings in and between bed parts can entrap the neck and head of a small child. NEVER use bed for child under the age of six.











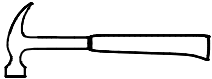
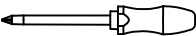
The mattress must be appropriately sized for the bed. If the mattress is undersized, dangerous gaps can exist and a person can become entrapped or entangled in the frame and suffocate.

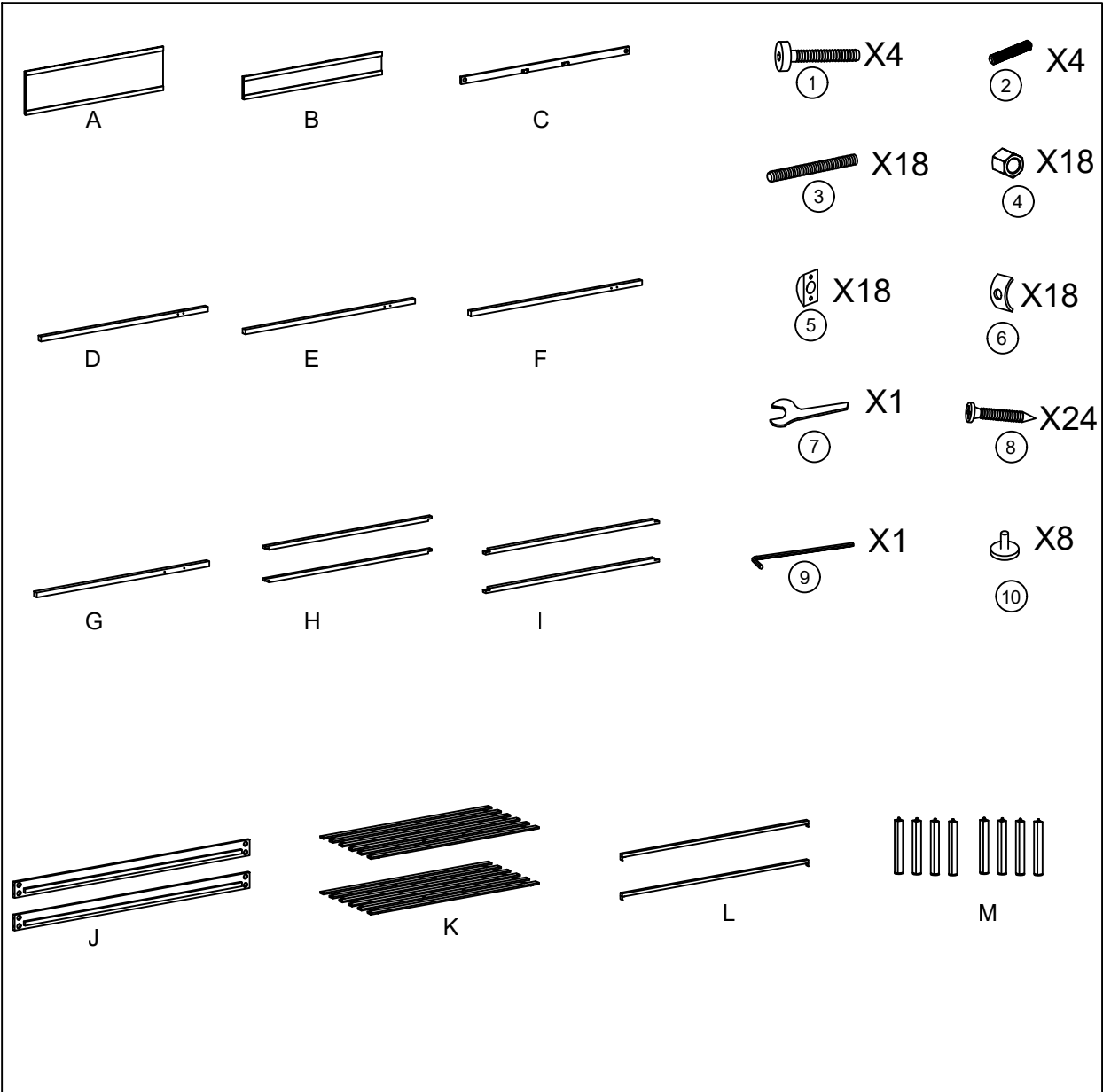
Note: This Bed is NOT a TOY.  
Keep your child/children at bay during the assembly process.  
The BED is HEAVY.  
To prevent injury to yourself or damage to the product a minimum of two adults are required whenever moving or lifting it.

### Part List

Label	Picture	Description	QTY
A		Headboard Panel	1
B		Footboard Panel	1
C		Headboard Support	1
D		Headboard Post Left	1
E		Headboard Post Right	1

Part List			
Label	Picture	Description	QTY
F		Footboard Post Right	1
G		Footboard Post Left	1
H		Top Bar Long	2
I		Top Bar Short	2
J		Side Panel	2
K		Bed Slats	2
L		Center Support	2
M		Support Post	8

<u>Part List</u>			
Label	Picture	Description	QTY
①		JCBC Bolt (M6x70mm)	4
②		Wood Dowel (M8x40mm)	4
③		Stud Bolt (M6x60mm)	18
④		Hex Nut (M6)	18
⑤		Bend Washer Ø7.5 MM	18
⑥		Bend Washer 3013	18
⑦		Spanner 10 MM (M6)	1
⑧		Csk Screw (M4x25mm)	24
⑨		Allen Wrench Long (M4)	1
⑩		Support Leg Adjustable Feet	8
⑪		Hammer (Not Provided)	1
⑫		Screw Driver (Not Provided)	1
<u>Assembly Preparation</u>			
Before Beginning Assembly:			



- Read instructions, cover to cover-



- Have 2 adults on hand for assembly-



- Do not assemble on flooring or carpet-



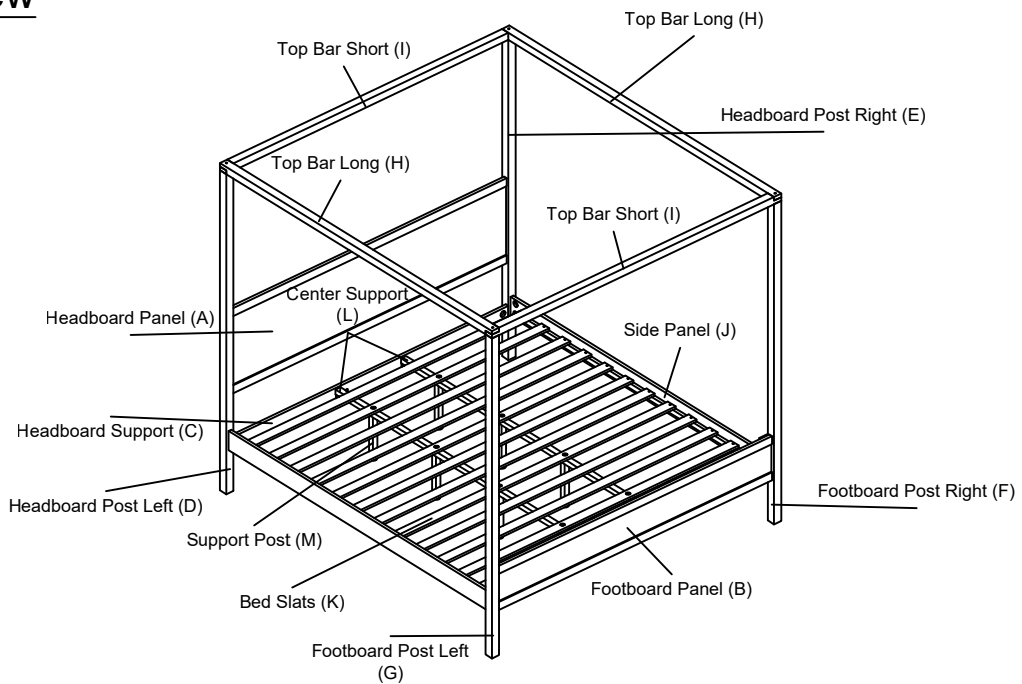
- Assemble on a clean non-marring surface (packing foam)-



- Save all packaging until finished-

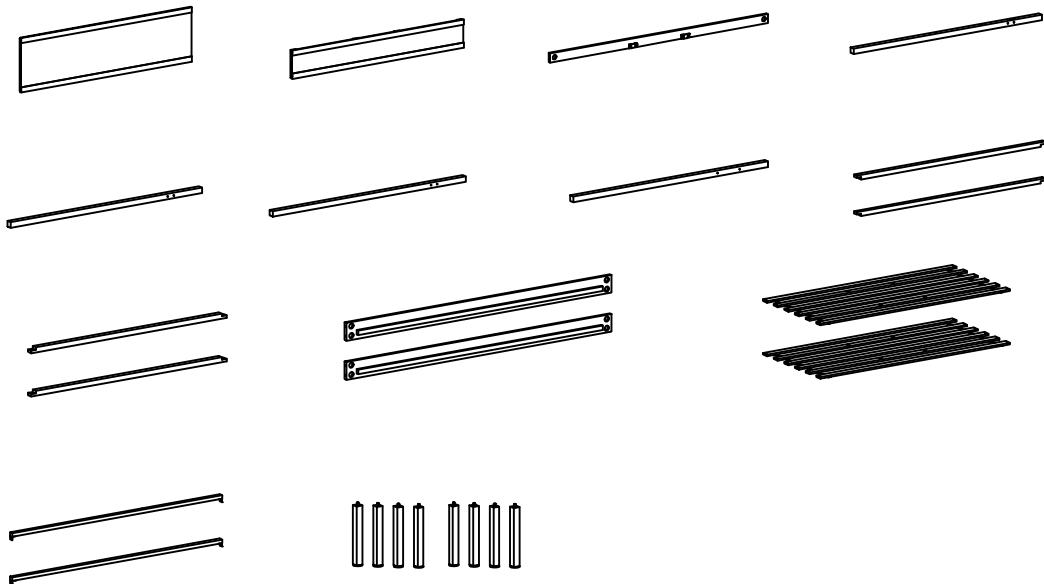
# Assembly Steps

## Overview



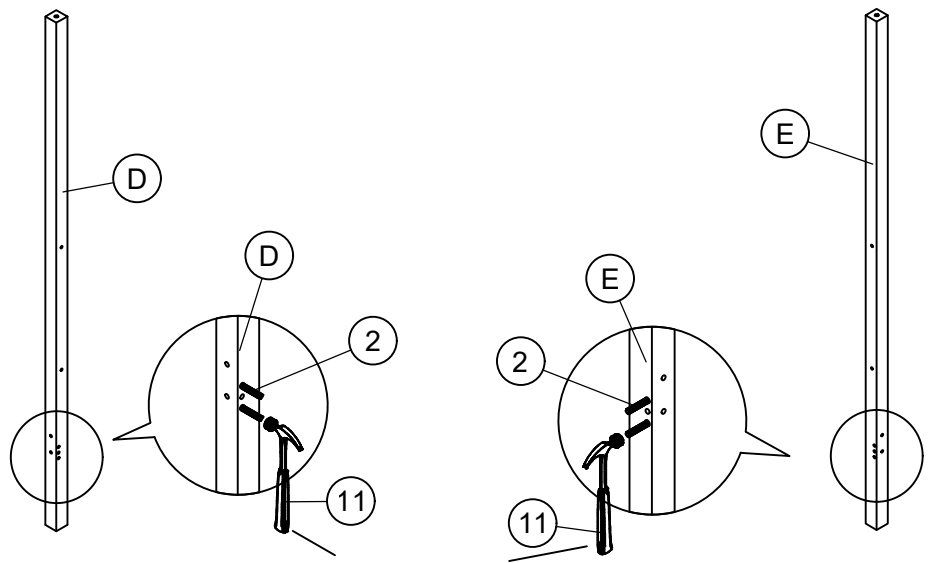
This Bed has multiple parts and may require up to 60 minutes to assemble. To give you an overview of the Bed parts, the above picture is provided to help you put the various parts into perspective. Please read through the instructions below to familiarise yourself with the parts and steps before assembly.

### Step 1



Unpack and place all parts on a clean, non-marring surface

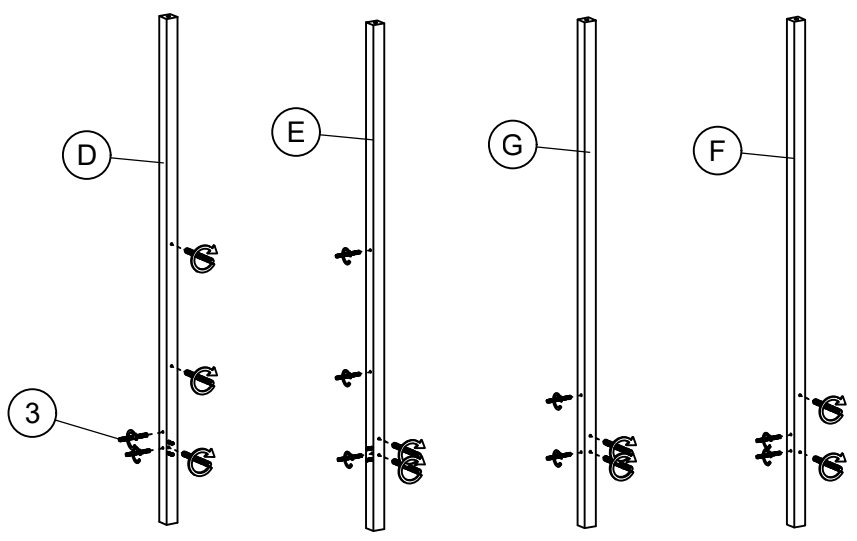
Step 2



Insert Wood Dowels (2) into Headboard Post Left (D) and Headboard Post Right (E). Use Hammer (11) (Not provided) to gently tap the dowels into place as shown in the diagram.

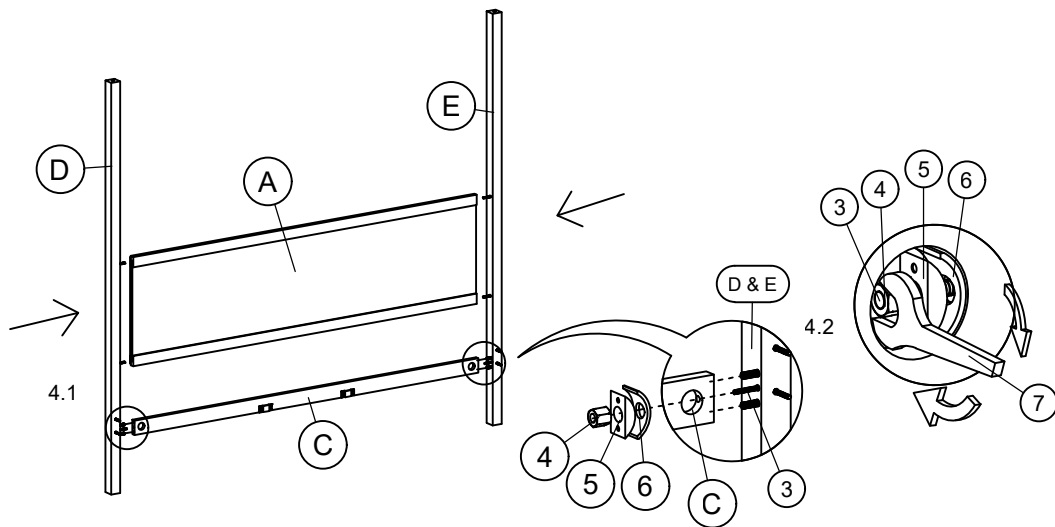
**Note: Do not apply excessive force to avoid damaging the wood.**

Step 3



Hand-tighten Stud Bolts (3) into Headboard Post Left (D), Headboard Post Right (E), Footboard Post Left (G), and Footboard Post Right (F).

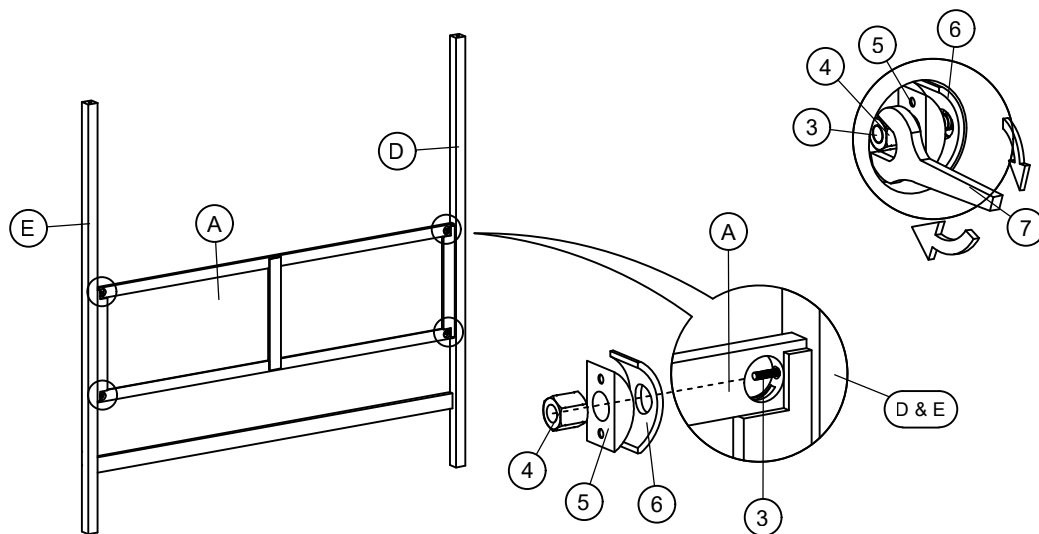
### Step 4



4.1 Align the Stud Bolts (③) installed on Headboard Post (D& E) with the mounting position on Headboard Panel (A) and Headboard Support (C), then gently slide the posts into place.  
4.2 Affix Headboard Support (C) to Headboard Post (D& E) by using Hex Nut (④), Bend Washer (⑤) and Bend Washer (⑥) with Spanner (⑦) as above picture shown.

**Note: Don't fully tighten the bolts.**

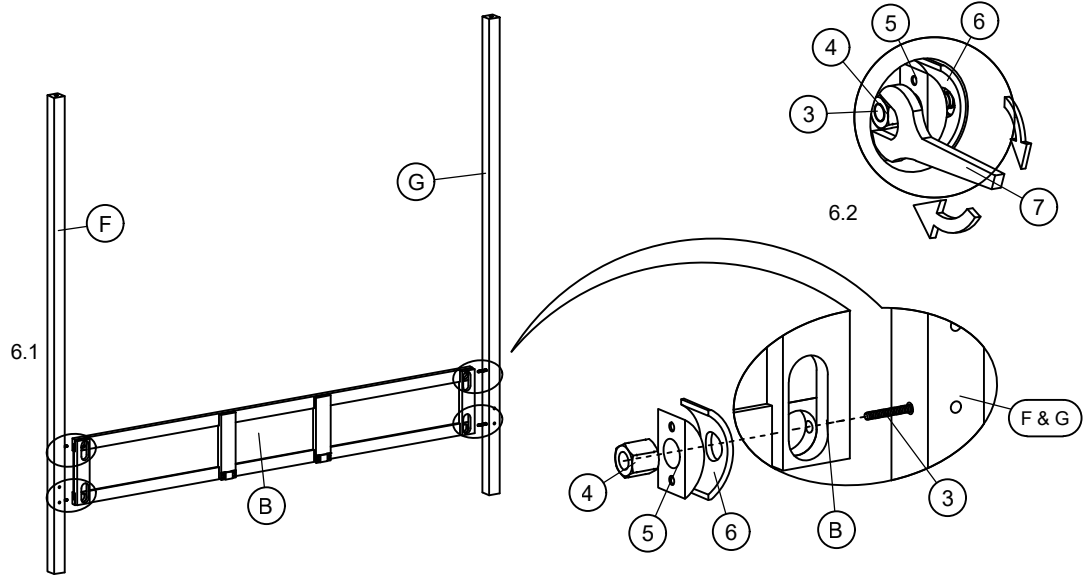
### Step 5



Rotate Headboard Panel (A) to its back side.  
Affix Headboard Panel (A) to Headboard Post (D& E) by using Hex Nut (④), Bend Washer (⑤) and Bend Washer (⑥) with Spanner (⑦) as above picture shown.

**Note: Don't fully tighten the bolts.**

### Step 6

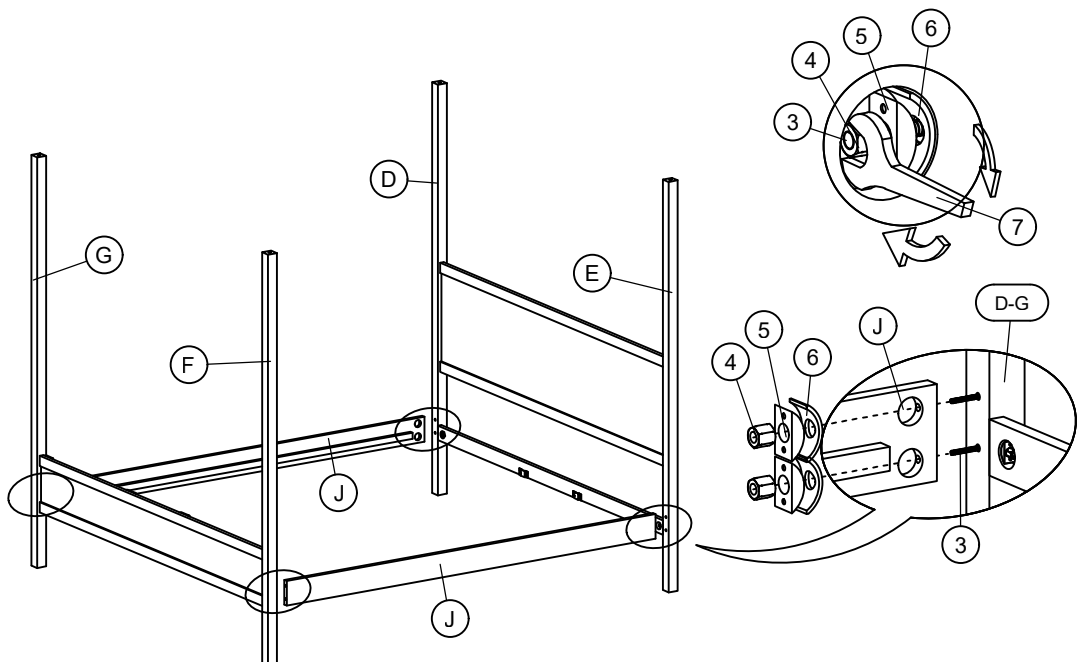


6.1 Align the Stud Bolts (③) installed on Headboard Post (G & F) with the mounting position on Footboard Panel (B), then gently slide the posts into place.

6.2 Affix Footboard Panel (B) to Headboard Post (G & F) by using Hex Nut (④), Bend Washer (⑤) and Bend Washer (⑥) with Spanner (⑦) as above picture shown.

**Note: Don't fully tighten the bolts.**

### Step 7



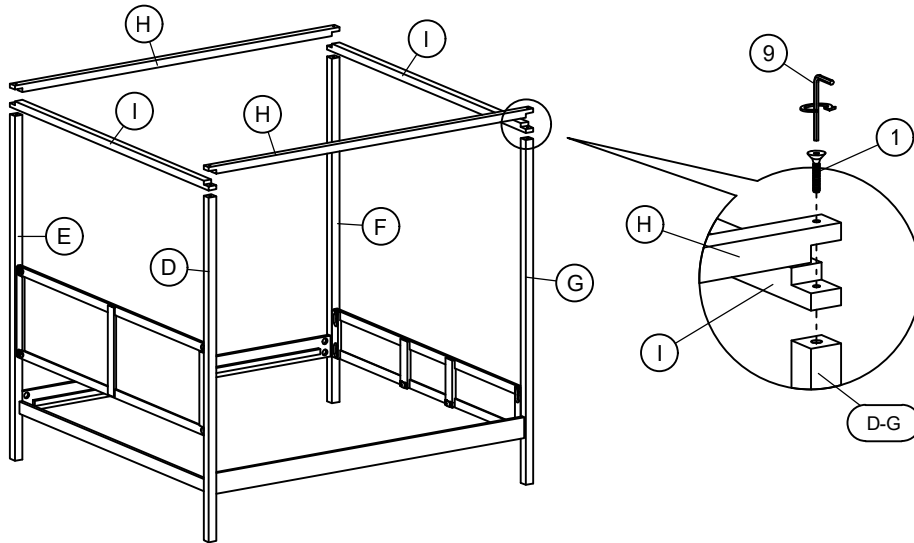
With the help from the second adult.

Attach the Side Panel (J) to Headboard Post Right (E) and Footboard Post Right (F) by Stud Bolt (③), Hex Nut (④), Bend Washer (⑤) and Bend Washer (⑥) with Spanner (⑦) as above picture shown.

Repeat the same step to attach the Side Panel (J) to Headboard Post Left (D) and Footboard Post Left (G).

**Note: Don't fully tighten the bolts.**

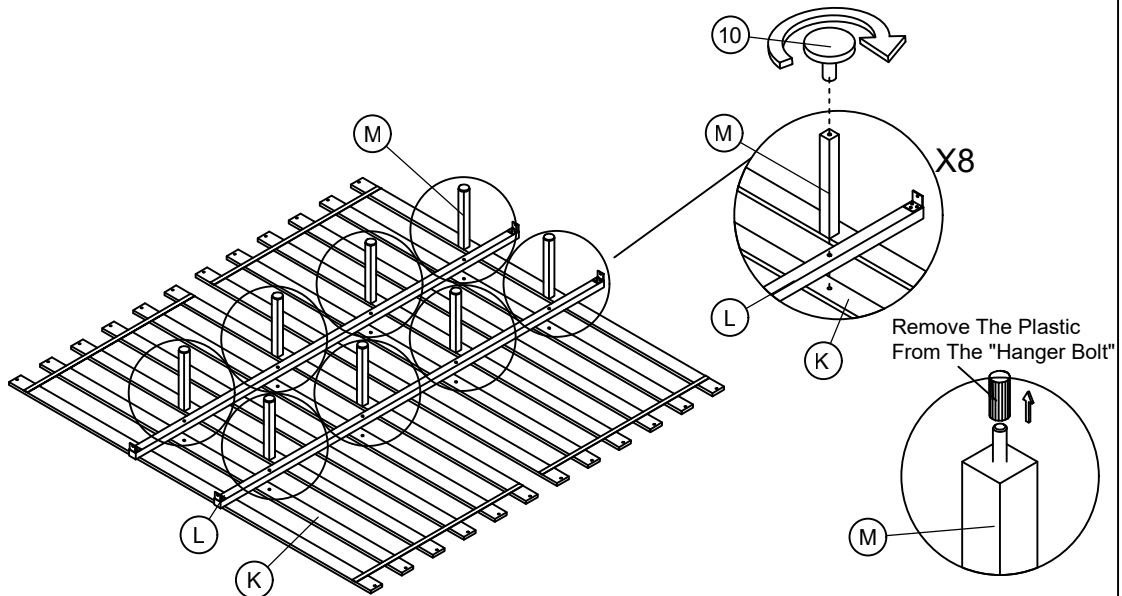
### Step 8



A ladder is recommended for assembly on this step.  
With the help of another adult, attach Top Bars Short (I) and Top Bars Long (H) to Headboard Post (D&E), Footboard Post (G&F) using JCBC Bolts (1) with Allen Wrench (9) as above picture shown.

### Step 9

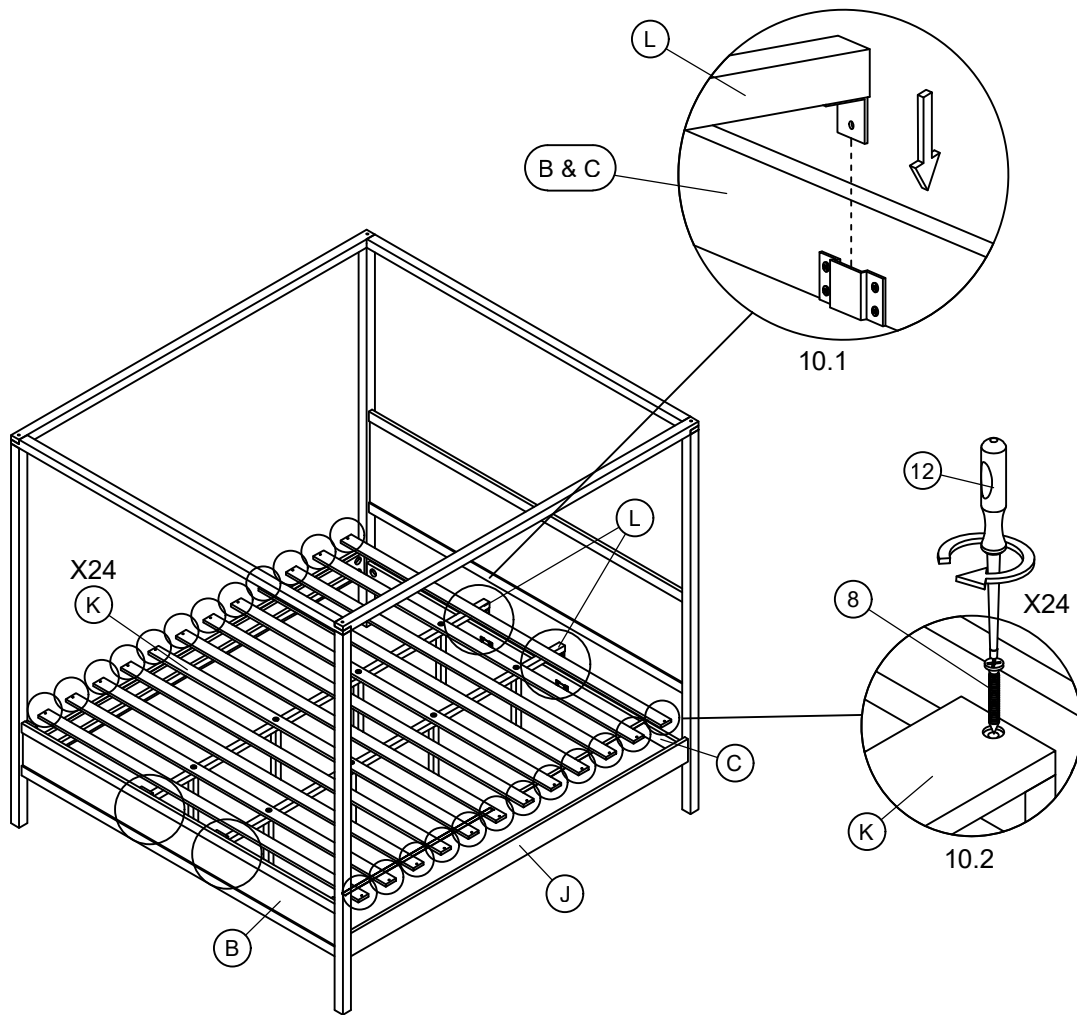
#### Bottom View



9.1 Remove the plastic cap from the top of the Support Post (M). Screw in the Support Leg Adjustable Feet (10) into the bottom of Support Post (M).

9.2 Turn the Bed Slats (K) upside down. Screw the bolt on Support Post (M) into the mounting position on Center Support (L) and Bed Slats (K) as above picture shown.

## Step 10



With the help from the second adult.

Place the assembled slats on the middle of the bed frame, Insert the L Bracket attached to the Center Support (L) into the Bracket located on the Footboard Panel (B) and the Headboard Support (C).

Attach the Bed Slats (K) onto the Side Panels (J) by using CSK Screws (8) with the Screw Driver (Not provided) (12).

Turn the Bed right side up.

Place the Bed on a LEVEL SURFACE.

Inspect it and make sure all parts are adequately connected.

Don't push too hard, shake on the bed.

This would help to align all the parts at all the joint areas.

**CAUTION 1:** When tightening these screws, tighten sequentially.

**DO NOT** tighten any screw fully and then towards the next one.

This would cause the frame to warp.

If there is still wobbles, loosen the screws and execute this same process. **DO NOT** tighten any screw fully and then towards the next one.

**WARNING!! IF BED IS NOT STABLE , IT COULD LEAD TO DAMAGING THE PRODUCT.**

Ensure all screws are fully locked into position.

The bed is ready to be used.

**Caution 2:** This bed can only be used on a flat, level surface.