

## Features

- 33" (838 mm) minimum base cabinet width
- Single bowl
- 9" (229 mm) depth provides generous workspace
- Right rear drain placement increases workspace in the sink and storage space underneath
- Rounded 3/8" (10 mm) corners are easy to clean
- Matte finish offers rich, dimensional color
- Included accessories: bamboo cutting board, colander, stainless steel bottom sink rack, drain with strainer

## Material

- KOHLER Neoroc® composite is durable and built to withstand day-to-day cleaning tasks
- Solid color throughout the sink
- Heat-resistant up to 750°F
- Scratch-, stain-, chip-, and thermal-shock-resistant

## Installation

- Undermount
- Installation hardware and templates included

## Recommended Products/Accessories

- K-35489 Professional-style cutting board
- K-35484 Three-piece workstation sink prep bowl set
- K-35491 Marble serving tray
- K-35487 Three-piece ice bucket set
- K-35488 Ice bucket holder
- K-35485 Workstation sink cover

## Optional Products/Accessories

- K-35482 Drain cover
- K-11352 Disposal Flange with Stopper
- K-8801 Sink drain and strainer with tailpiece
- K-8799 Sink drain and strainer basket
- K-23730 Neoroc® cleaner

## Included Components

- K-33715 Sink rack
- K-39854 Bamboo cutting board
- K-39855 Colander
- 7400 Stainless Steel Sink Drain and Strainer



## Codes/Standards

CSA B45.5/IAPMO Z124

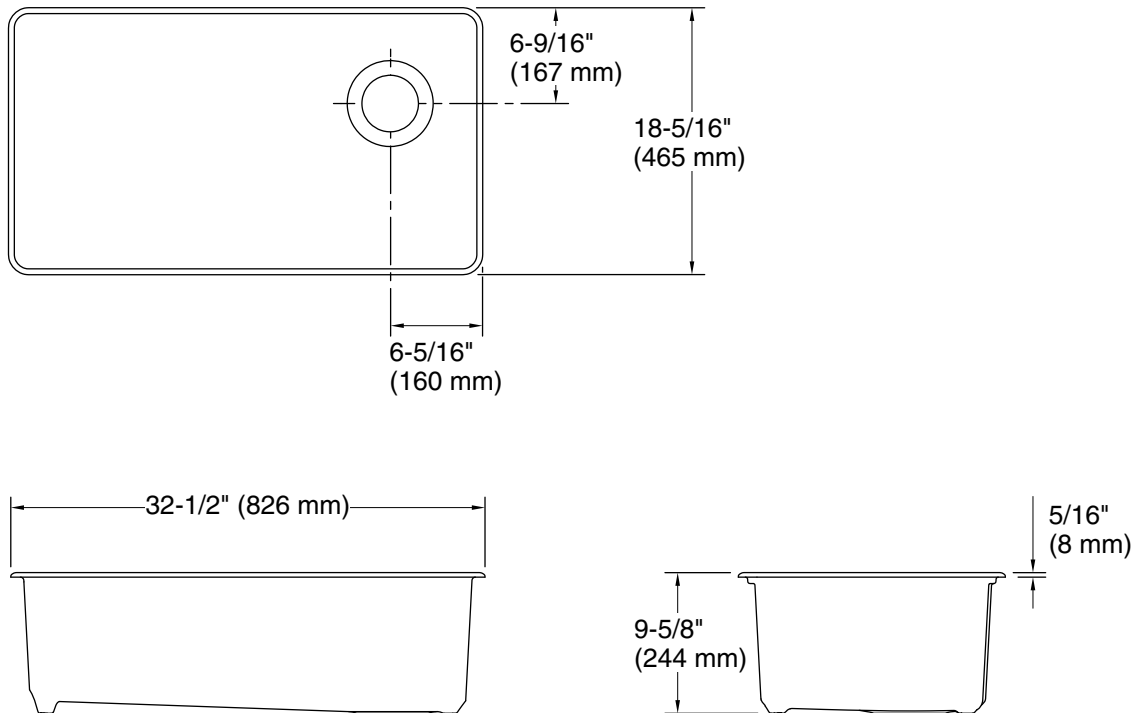
## KOHLER® Neoroc® Sinks Lifetime Limited Warranty KOHLER® One-Year Limited Warranty

See website for detailed warranty information.

## Available Colors/Finishes

*Color tiles intended for reference only.*

| Color | Code | Description |
|-------|------|-------------|
| ■     | CM1  | Matte Black |



## Technical Information

All product dimensions are nominal.

Basin configuration: Single Bowl  
Min. base cabinet width: 33" (838 mm)

Bowl area (Basin #1): Length: 27-1/4" (692 mm)  
Width: 15-9/16" (395 mm)  
Water depth: 9" (229 mm)

With overflow: No

Drain hole: 3-7/8" (98 mm)

Template: Undermount, 1552903-7, required, included

## Notes

Install this product according to the installation instructions.

**NOTICE:** Countertop manufacturer or cutter must use the cut-out template provided with the product, or a current one provided by Kohler Co. (call 1-800-4KOHLER). Kohler Co. is not responsible for cutout errors when the incorrect cut-out template is used.