



20 : 00

estimated
assembly time



2 or more

people required

Ok, let's
get started!



- Put on mood music!
- To prevent damage to product, use the clean side of package carton or rug as working surface.
- In the event of missing or damaged parts, delivery problems etc., please reach out to our team. We will be happy to fix the problem!

care guide

- Clean regularly with a soft and dry cloth.
- To protect finish, avoid use of abrasive cleaners.
- Wipe up spills immediately. Please!

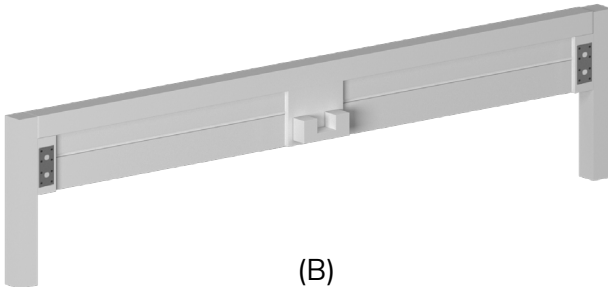
ⓘ **While assembling the product, tighten the bolts up to 50%. Once all parts are in place, only then fully tighten the bolts.**



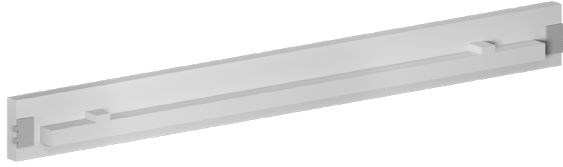
product parts



(A)
Headboard
x1



(B)
Footboard
x1



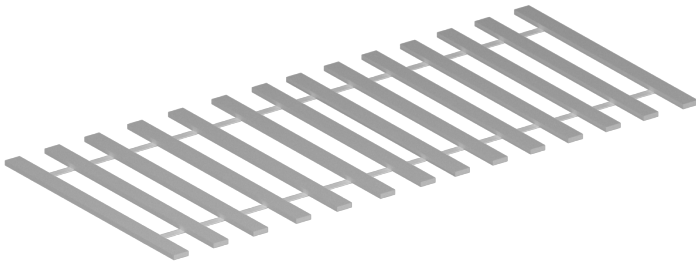
(C)
Side Rail
x2



(D)
Mid Rail
x1

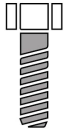


(E)
Mid Legs
x3

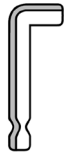


(F)
Slats
x2

what's included



(G)- Bolt
x5



(H)- Allen Key
x1



assembly instructions

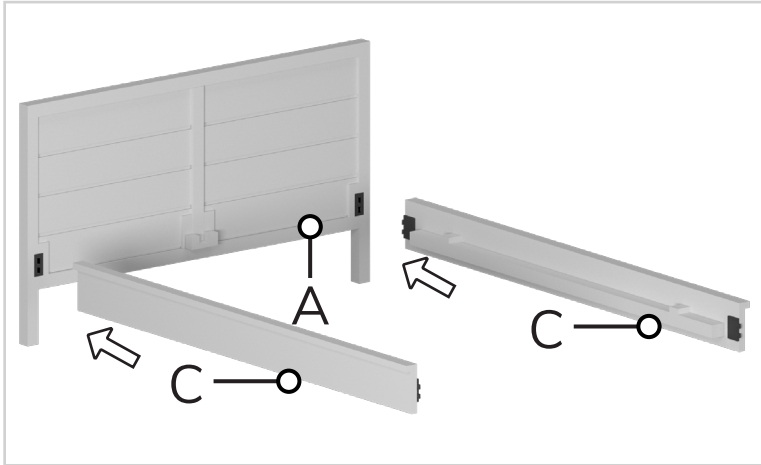
Friendly Tip: Take a deep breath going in. This may be a tricky part, but nothing too overwhelming. Just follow these steps to the T and the outcome will be worth it!



- ⓘ While assembling the product, tighten the bolts up to 50%. Once all parts are in place, only then fully tighten the bolts.

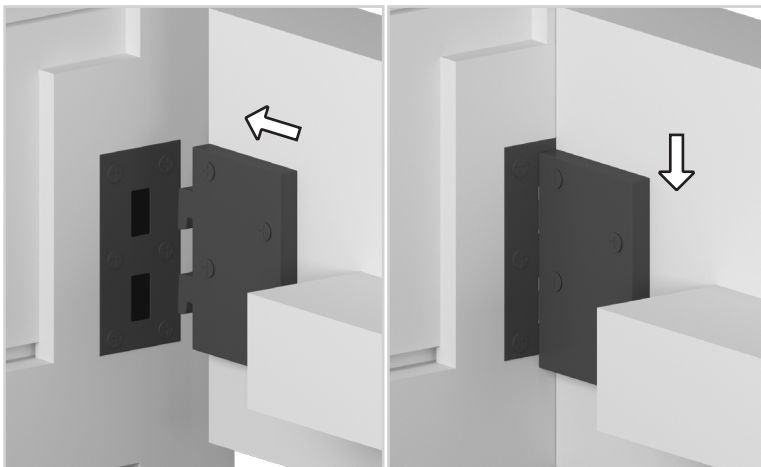
step 1:

Start by aligning side rails (C) to headboard (A) taking this image as reference.



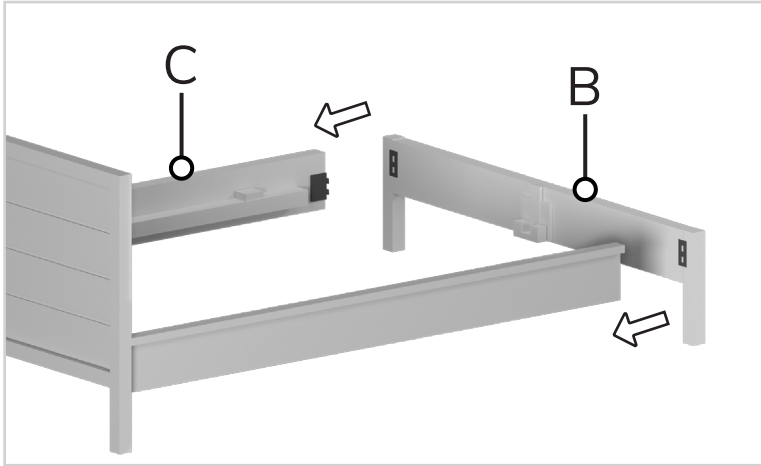
step 2:

Insert the clip attached to side rails (C) into the footboard (B) slot. To lock it in position, push it down as shown below.



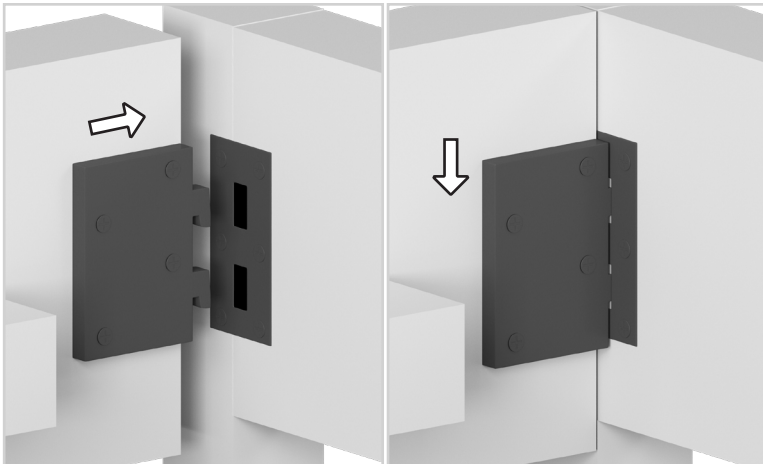
step 3:

Now align the footboard (B) with side rails (C) taking this image as reference.



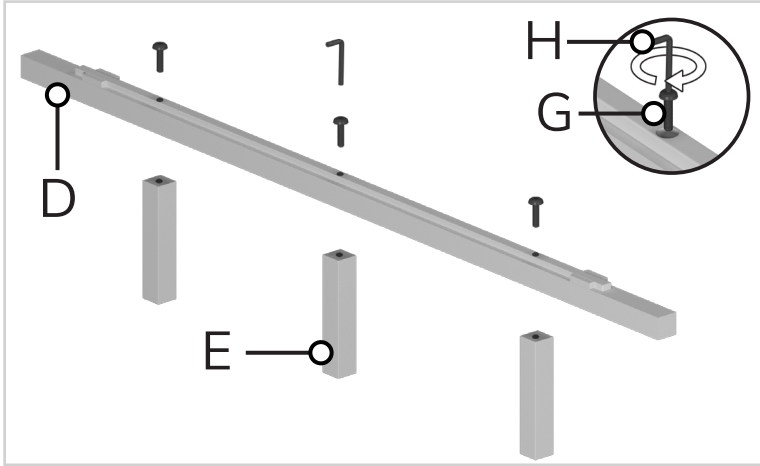
step 4:

Insert the clip attached to side rails (C) into the footboard (B) slot. To lock it in position, push it down as shown below.



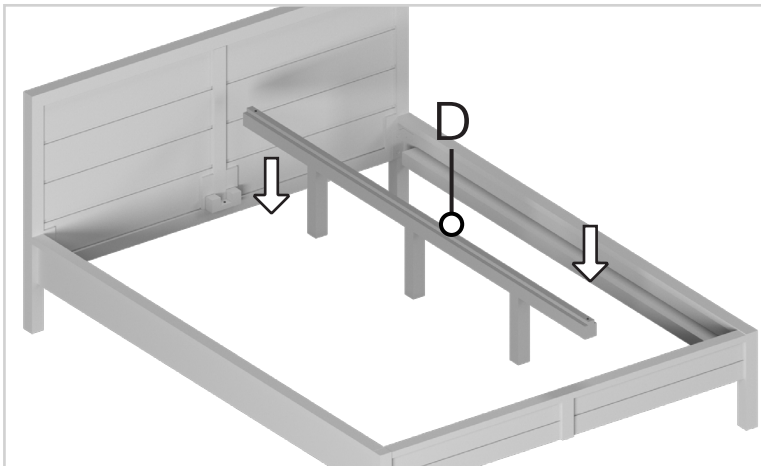
step 5:

Simple enough? Now, attach mid-rail (D) to mid legs (E) using bolts (G) with the help of Allen key (H).



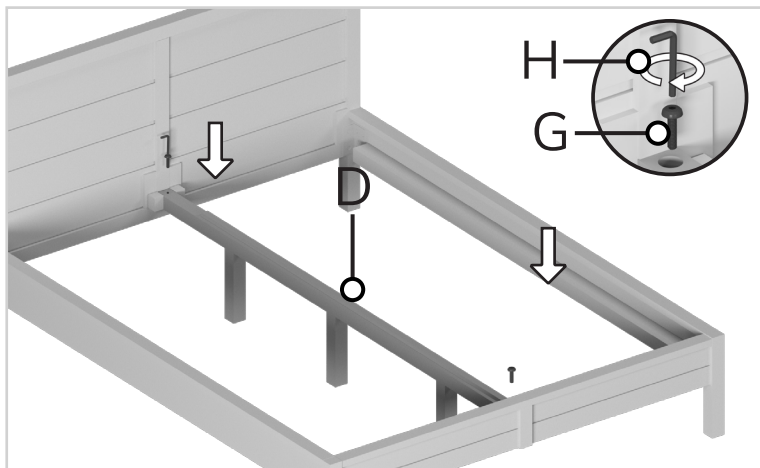
step 6:

Now align the mid-rail (D) with the bed.



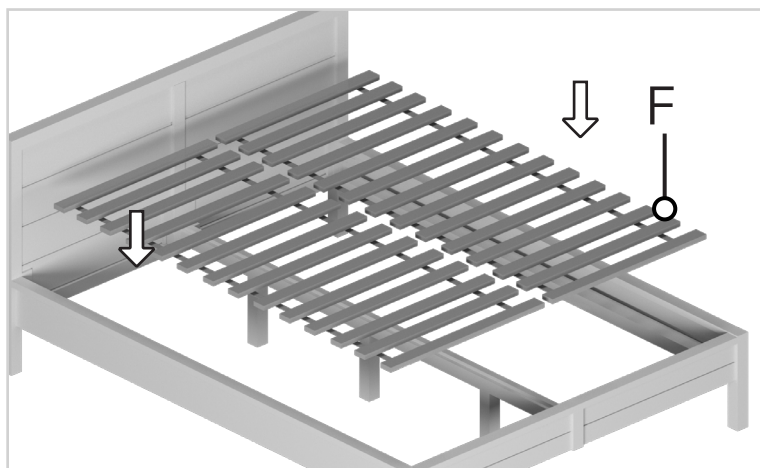
step 7:

With the help of Allen Key (H), tighten the bolts (G) as shown in the image below.



step 8:

Almost done now. Place slats (F) parallel to each other as shown in the image.





Voila! Your bed is now assembled and secure!

you've
got
a home
with us

