

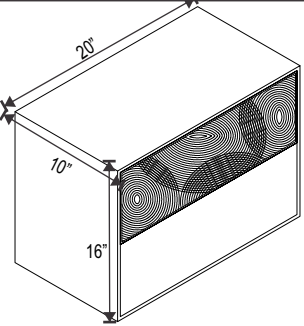
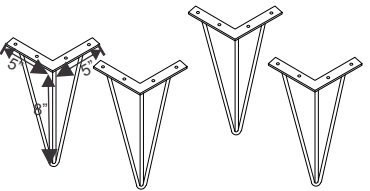


CARE AND MAINTENANCE

Always use felt pads under all articles to prevent discoloration or softening of the lacquer. Plastic and rubber bases on items can discolor wood. Wipe up spills immediately and avoid common hazards such as hot dishes, harsh solvents and abrasives. Cleaning should be done with a soft lint free cotton cloth dampened with water or furniture polish. On highly used surfaces we recommend applying a quality paste wax which should be used on a regular basis to provide additional protection from scratches and spills. How often you apply the wax depends on how much wear the furniture receives.

NOTICE

- * Please make sure that you have all parts indicated before you begin assembly for this item
- * This item should be assembled on a soft surface to prevent scratching the finish during the assembly.
- * This item may require periodic tightening

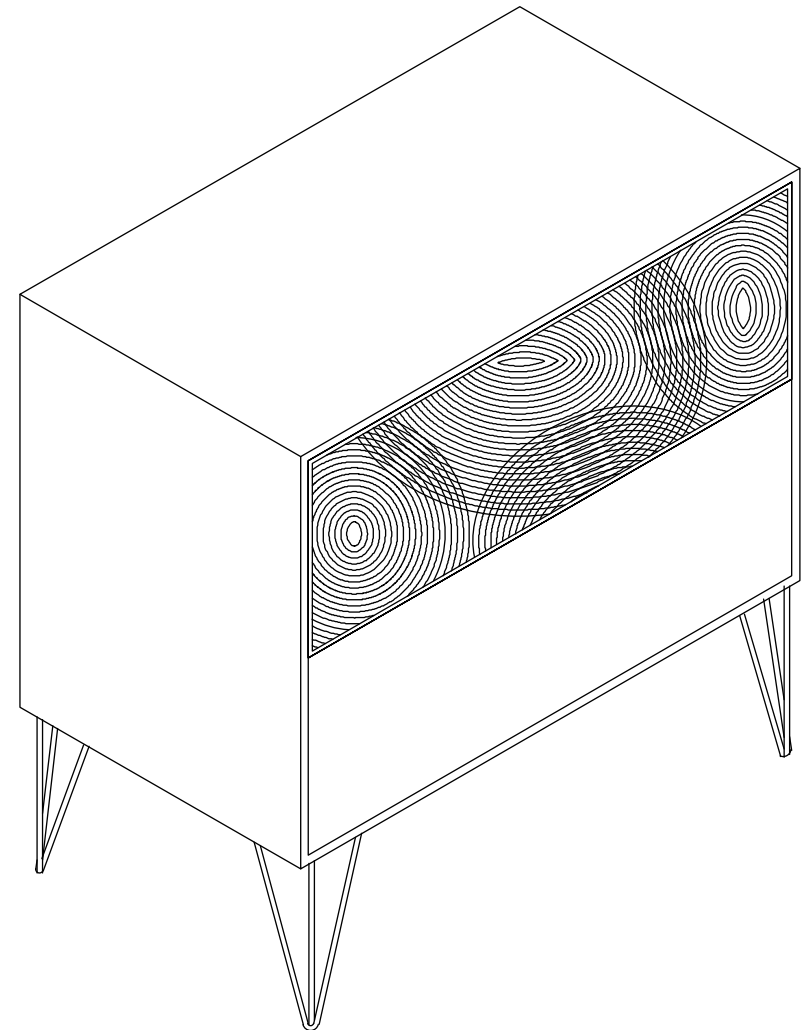
Part List

LABEL	PICTURE	DESCRIPTION	QUANTITY
A		Cabinet Case 20"x10"x16"	1
B		8" Legs	4
HARDWARE			
H-1		12 mm Allen Bolt	16X
H-2		Allen Key	1X

 **SAFAVIEH**
FURNITURE

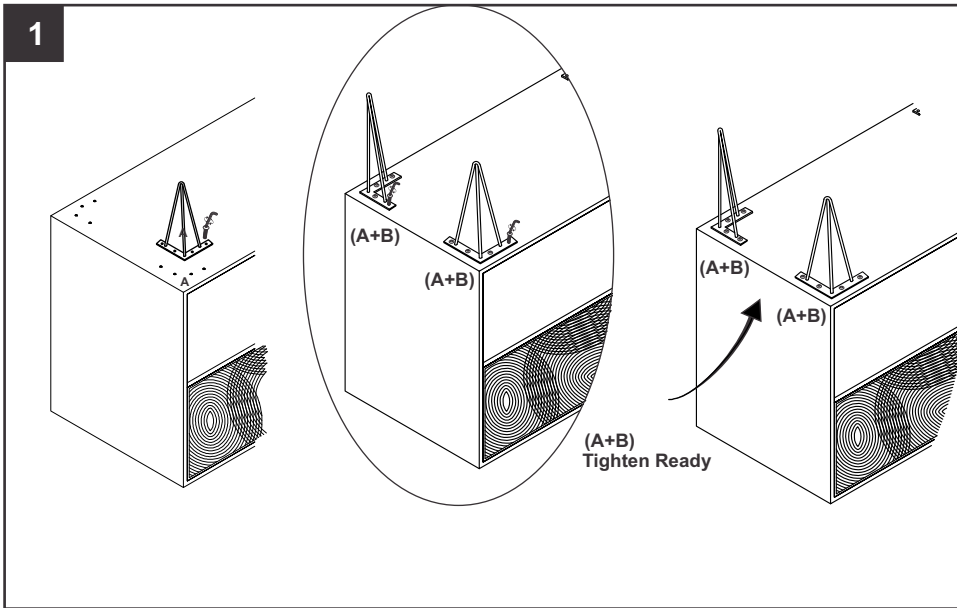
Safavieh Item# NST5302A

Product Dimensions: 20"x10"x24"



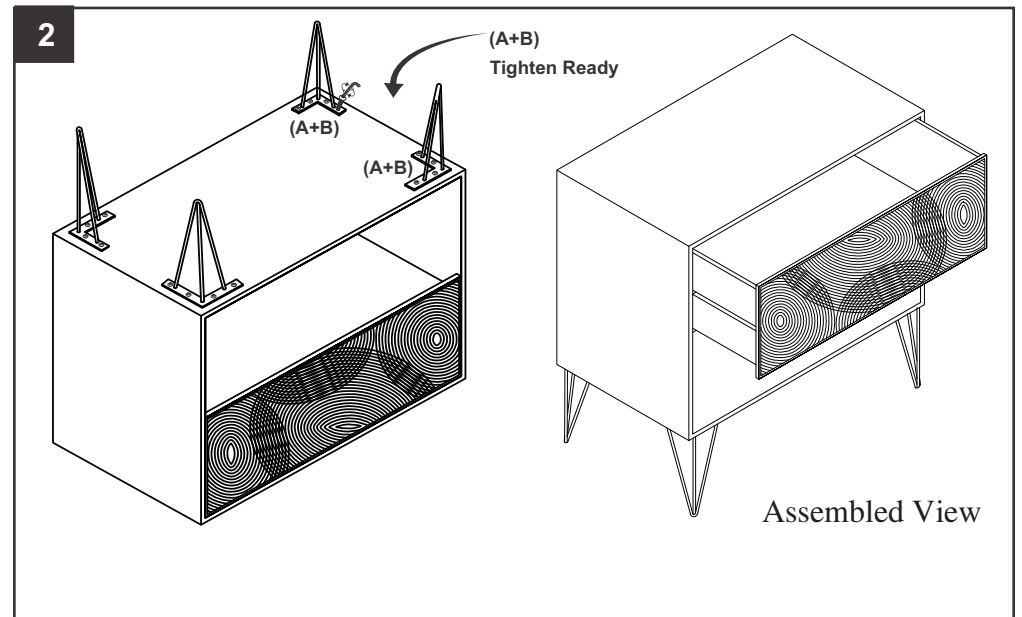
PREPARATION

Before beginning assembly of product, make sure all parts are present. Compare parts with package content list. If any part is missing or damaged, do not attempt to assemble the product.
Estimated assembly time: 5 minutes



Step 1

Place the cabinet case (A) on a non marring padded surface in upside down position. Align leg (B) into slot, located under the top (A). Tighten the screws in clockwise direction until leg (B) is secured with case (A).



Step 2

Repeat step -1 to secure other leg (B) as shown above in the drawing. Turn the product upright. Product assembly is complete and product is ready to use.