

Modern Minimalist Fabric Shade Wall Lamp Wall Mounted Lighting

Caution. Please turn off power before installation and read the manual carefully, we advise you contact professional electricians to install for safety purpose.

Product Features

Style: Modern/Minimalist

Material: Metal/Fabric

Base Type: E12

Light Source Included: No

Voltage: 120V AC

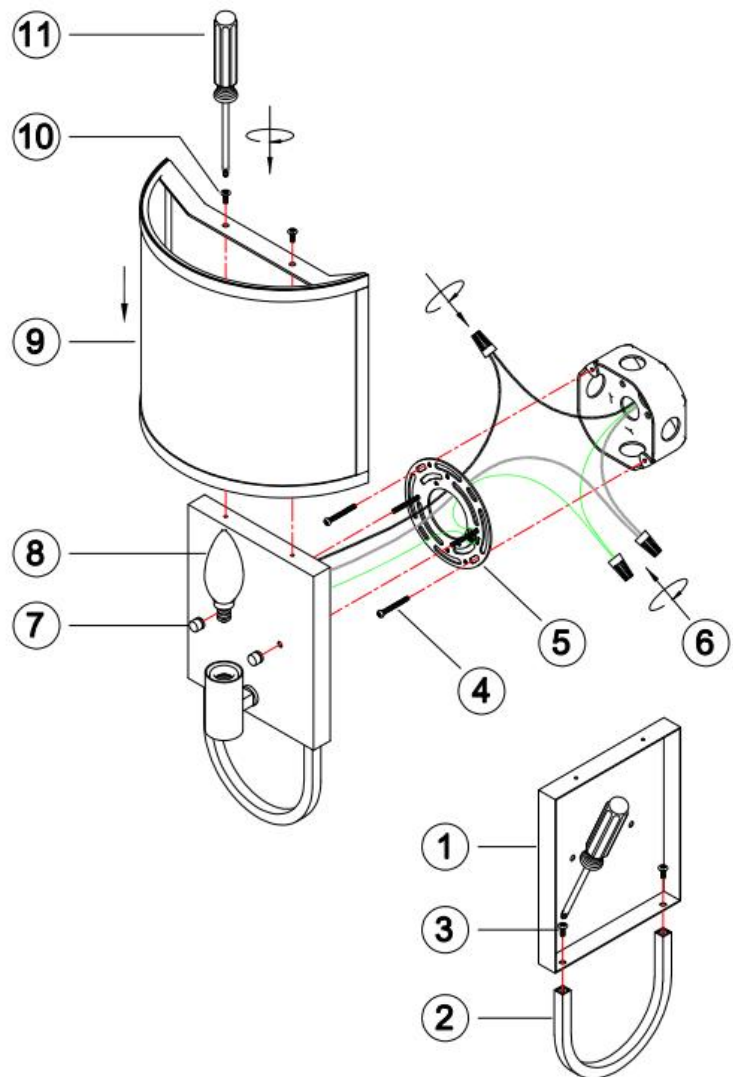
Wattage: 60W Max

Package includes

1 x Wall Light

1 x Accessories Kit

1 x User's Manual



Installation Instructions

1-3. Assemble the bent tube to the wall mount using the installation screws.

4-5. Install the mounting plate onto the junction box using the installation screws.

6. Connect the main lines and ground wire from the fixture with lines reserved on the ceiling. Secure the ground wire from the fixture to the mounting plate using the green grounding screw, then use the wire nuts to connect the ground wires in the junction box together. Carefully tuck all wires back into the junction box.

7. Secure the wall mount to the junction box using the cap nut.

8. Install the bulb (not included!).

9-11. Secure the lampshade to the wall mount using the installation screws.

Note: please use this product accordingly to its intended purpose, do not retrofit or remodeling the product. The warranty does not cover if the failure is caused by the third party product, or natural disasters.

