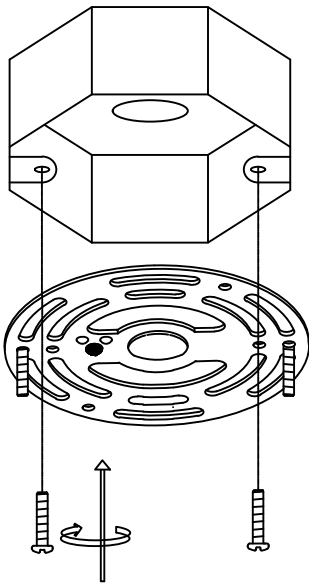


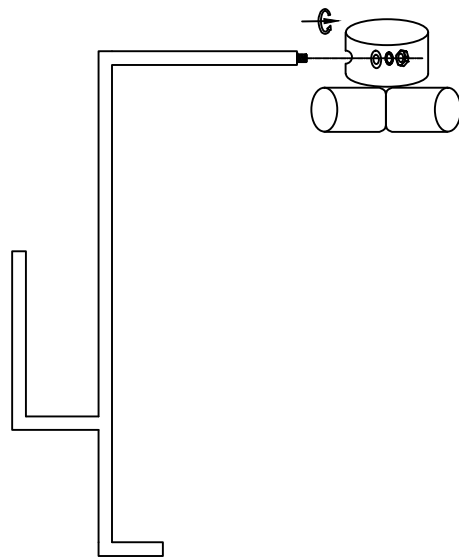
# Installation

L016002-D500-P4W

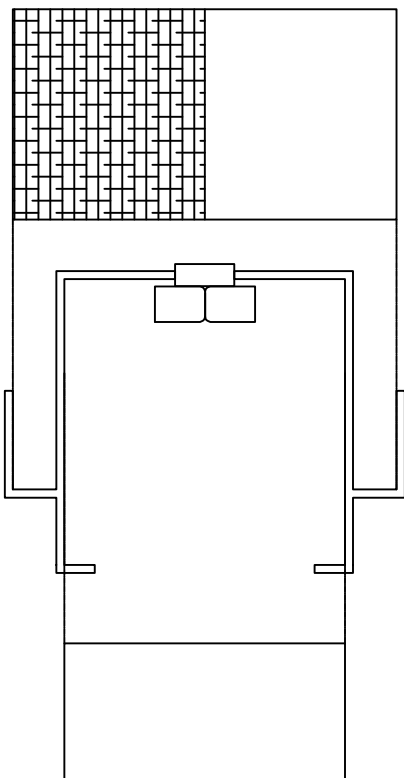
- 1** Install the mounting plate to the outlet box by screws.



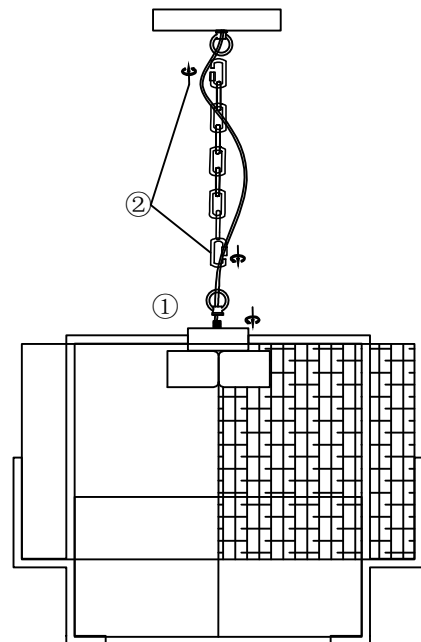
- 2** Fix all lamp arm into the drum box by hexagonal nut and washer.



- 3** Put 2 shade to the lamp body in the right place.



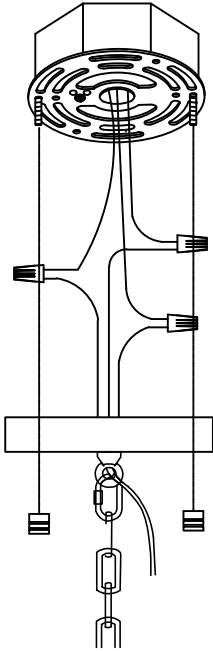
- 4** ① Install the loop to the thread of shade and put the wire through the hanging chain.  
② Adjust the hanging wire and chain to suitable length. Install the quick link to the loop.



# Installation

L016002-D500-P4W

- 5** Connect the wire by connector, and fix the canopy to the mounting plate by ball nut.



- 6** ① Install the E12 bulb.  
② Place the diffuser into the bottom of the shade.

