

### Features

- Left-hand trip lever
- For use with Cimarron Comfort Height® toilets

### Material

- Solid-brass construction for durability and reliability
- KOHLER finishes resist corrosion and tarnishing



ADA

### Codes/Standards

ADA  
ICC/ANSI A117.1

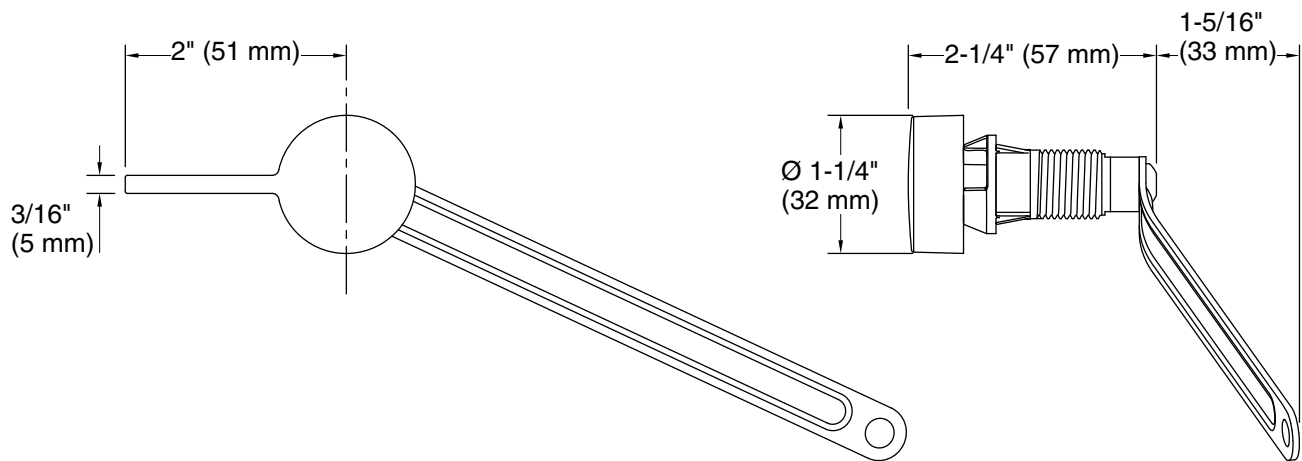
### KOHLER® One-Year Limited Warranty

See website for detailed warranty information.

### Available Colors/Finishes

*Color tiles intended for reference only.*

| Color                                                                               | Code | Description                    |
|-------------------------------------------------------------------------------------|------|--------------------------------|
|  | SN   | Vibrant® Polished Nickel       |
|  | AF   | Vibrant® French Gold           |
|  | BN   | Vibrant® Brushed Nickel        |
|  | BV   | Vibrant® Brushed Bronze        |
|  | BL   | Matte Black                    |
|  | 2MB  | Vibrant® Brushed Moderne Brass |
|  | TT   | Vibrant Titanium               |
|  | DR   | Deep Bronze                    |



## Technical Information

All product dimensions are nominal.

Material: Brass

## Notes

ADA compliant when installed to the specific requirements of these regulations.