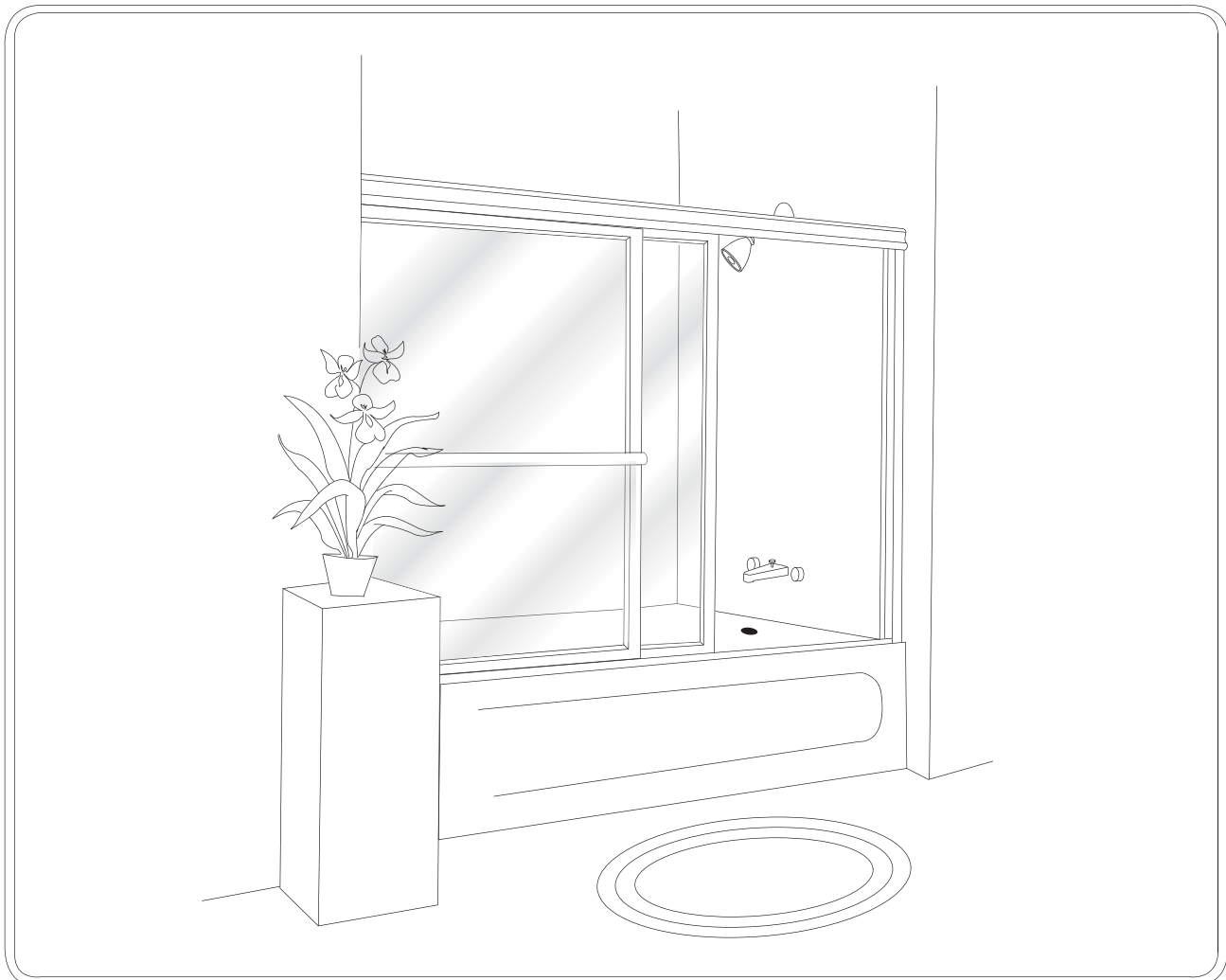




# INSTALLATION INSTRUCTIONS

## UNIT No. 6150 / 7150 DELUXE FRAMED TUB / SHOWER SHOWER ENCLOSURE



**INSTALLATION NOTES:** Unpack your unit carefully and inspect for freight damage. Lay out and identify all parts using the instruction sheet as a reference. Before discarding the carton, check to see that no small hardware parts have fallen to the bottom of the box. If any parts are damaged or missing, refer to the descriptions noted in the instructions when contacting your dealer for replacements.

Handle the glass panel(s) carefully and protect the edges.

Please wear safety glasses whenever drilling or cutting. When drilling holes in ceramic tile or marble, use a center punch and hammer to carefully break the surface glaze so the drill bit can start without skidding.

To install your BASCO Shower Enclosure you will need the following: tape measure, level(s), #2 Phillips-head screwdriver, drill, 1/8" & 3/16" High Speed Steel drill bits, hacksaw, pencil, sharp knife or razor blade and caulking (clear, mildew resistant silicone recommended). Optional tools include a miter box for cutting metal parts, file, center punch and masking tape. An additional 3/16" Masonry drill bit is recommended for tiled applications.

The enclosure is best installed with two people.

## **NOTE: Tempered glass cannot be cut.**

**Although safety tempered glass is very resistant to breakage, the glass can still break if unequal pressure is placed on it during installation. Use caution! In addition, the sharp corners of the door panels can damage tile and floor surfaces, so its best to handle the door panels carefully and protect the edges.**

**MAINTENANCE:** Two primary materials are used to manufacture your new BASCO Shower Enclosure: tempered glass and anodized aluminum. To assure a long lasting finish on the enclosure, wipe it down with a towel after each use. Never use a scouring pad/agent to clean the aluminum.

For occasional, more concentrated cleaning efforts, we recommend using *LYSOL*<sup>TM</sup> Non-Abrasive Bathroom Cleaner works extremely well. Be sure that any over spray falling on the aluminum frame is rinsed thoroughly and dried. Many over-the-counter cleaners, if applied to aluminum and left on, will harm the finish and cause permanent damage, even though their directions indicate safe use on shower doors. For more care and cleaning information, please visit our web site;

[www.BASCOSHOWERDOOR.com](http://www.BASCOSHOWERDOOR.com)

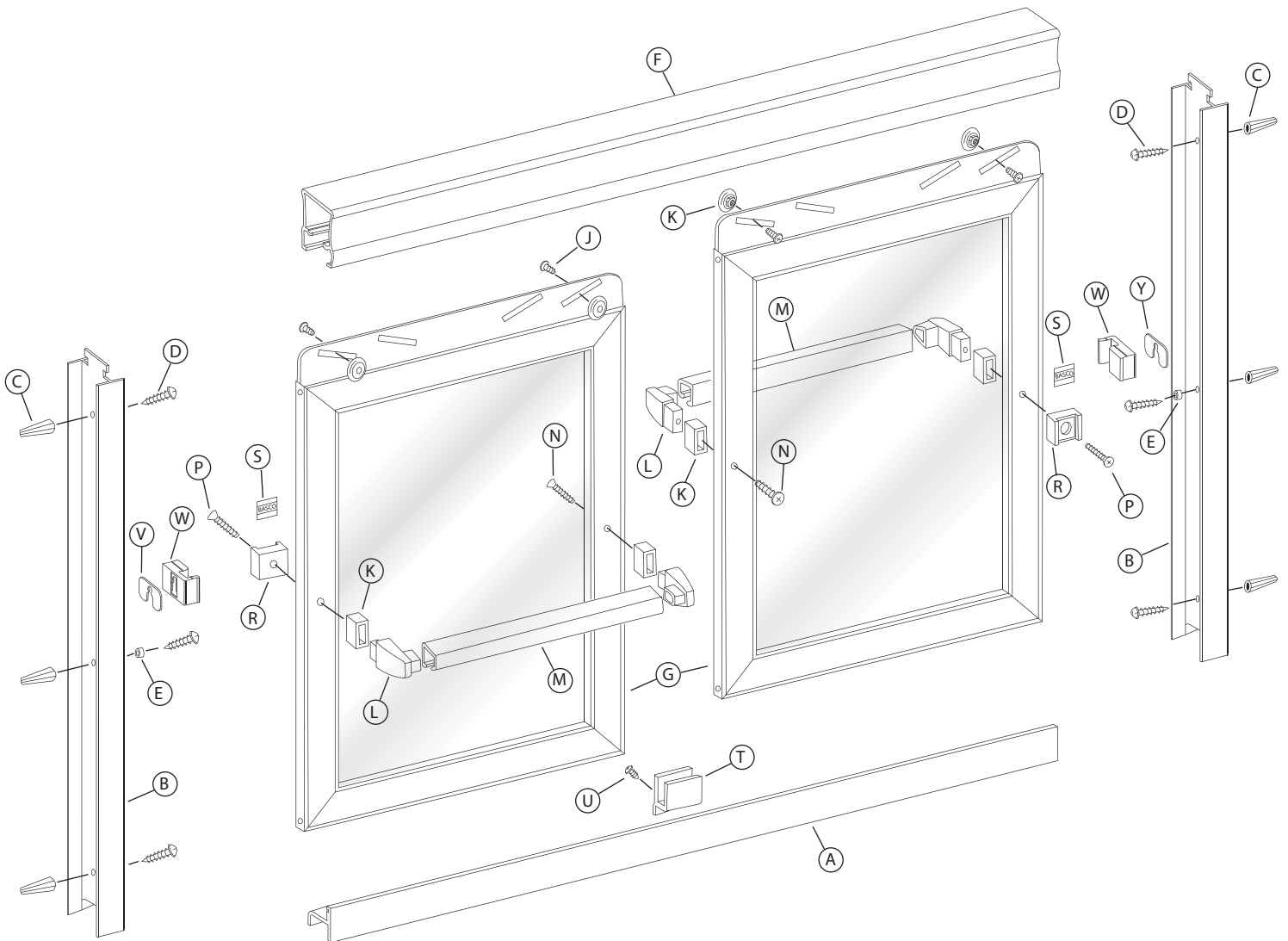
For glass treated with AquaGlide<sup>XP</sup>, read the following instructions:

After each use of your shower, use a small plastic bowl, pitcher or a hand held shower head to spray the shower doors with clean cold water. Pour or spray the cold water along the top edge of the glass. The majority of the shower's soapy residual water will drain off. Use a small hand towel to pat dry the remaining droplets or use a squeegee to clear the droplets.

Once a month, use a nylon sponge to go over the wet glass, rubbing in a circular motion. You should feel "sticky" places going back to slick again. Then pour water along the top edge of the glass, as you do after each shower use.

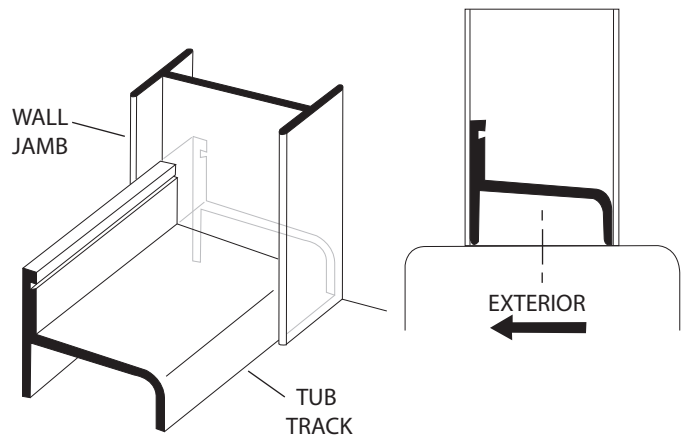
# 6150/7150 PARTS LIST

- |                                      |  |
|--------------------------------------|--|
| A. Tub Track with Vinyl Silencer (1) | L. Acrylic Towel Bar Bracket (2)       |
| B. Wall Jamb (2)                     | M. Towel Bar (2)                       |
| C. Plastic Wall Anchor (6)           | N. #10-24 x 7/8" Truss Head Screw (2)  |
| D. #8 x 1 1/2" Truss Head Screws     | P. #10-24 x 1 1/8" Flat Head Screw (2) |
| E. 2 Nylon Spacer (6)                | R. Acrylic Finger Pull (2)             |
| F. Header (1)                        | S. Basco Decal (2)                     |
| G. Glazed Door Panel (2)             | T. Bottom Guide (1)                    |
| H. Nylon Roller Bearing (4)          | U. #6 x 3/8" Pan Head Screw (1)        |
| J. #8-32 x 3/8" Hex Head Screw (4)   | V. Stainless Bumper Insert (2)         |
| K. Metal Towel Bar Trim Ring (4)     | W. Soft Jamb Bumper (2)                |



**1** Measure the wall to wall opening at the center of the threshold. Cut the bottom track [A] 1/16" short of that dimension. An inexpensive miter box (available at a hardware store) will help you get a clean, square cut.

Place the bottom track in the desired position of the threshold, typically in the center, with the raised edge to the exterior. (see illustration) It may be necessary to file a radius on the corners of the bottom track and wall jambs to match the corners of the opening. Lightly mark its location with a pencil.



Press both wall jambs [B] into position over the tub track. It is not necessary to trim the vinyl silencer back for the wall jambs. The wall jamb should cut through it for you. Masking tape can be used to hold the parts in place temporarily.

**2** Using a level, plumb one wall jamb and mark the three hole locations on the wall with a pencil. Repeat this step for the other wall jamb. Remove all parts and drill the holes.

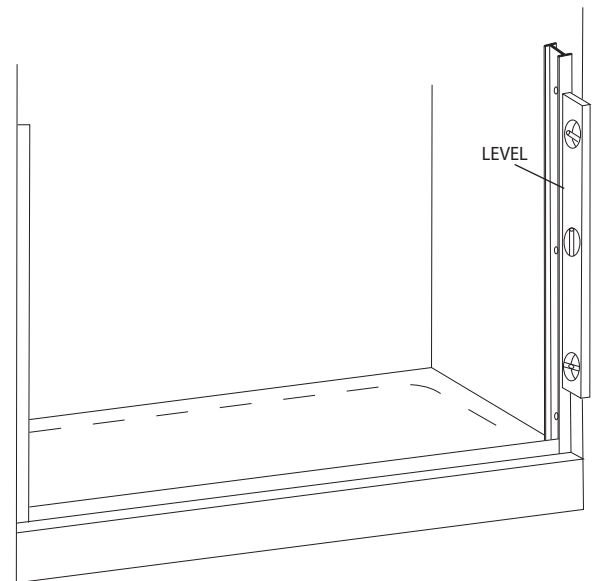
Tile or marble walls:

Drill 3/16" diameter holes into the walls and insert the plastic wall anchors [C].

Fiberglass or acrylic units can be done two different ways:

If the walls are not reinforced, drill 3/16" diameter holes and insert the plastic wall anchors. (Toggle bolts may be used instead but they are not provided).

If the walls are reinforced, only drill 1/8" diameter holes.

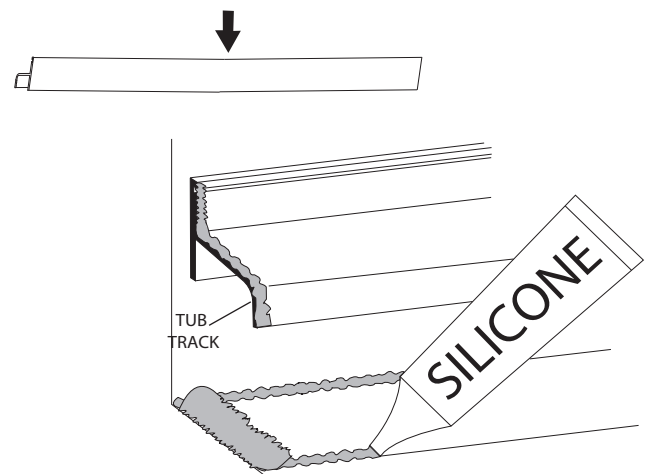


**CAUTION:** The bottom track should never be screwed to the threshold.

**3** Before replacing the tub track, force a slight downward bow in the middle of the extrusion. This will ensure that the track fits tight to the tub in the center. Run two beads of silicone inside the pencil marks on the threshold. Also, apply a liberal amount of silicone where the threshold and wall meet on both sides. Apply enough to fill the void of the bottom track.

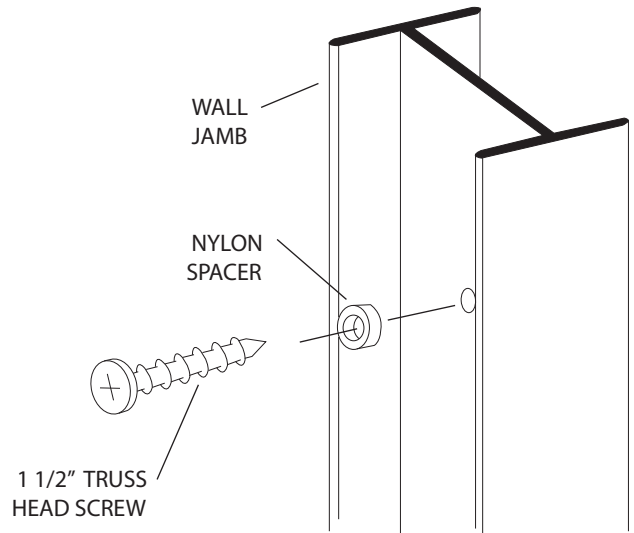
Place the tub track in the exact position marked in Step #2 and seat it firmly into the silicone. Once the track is in place, run a bead across the top the track where it meets the wall.

**NOTE:** Improper silicone will result in leaks.



**4** Replace one wall jamb and attach it to the wall with two #8 x 1 1/2" truss head screws [D] inserted into the top and bottom holes. Slip a nylon spacer [E] over a #8 x 1 1/2" truss head screw and insert it into the center hole of the wall jamb. Double check wall jamb for plumb and tighten the screws.

**NOTE:** Do not overtighten the screws.

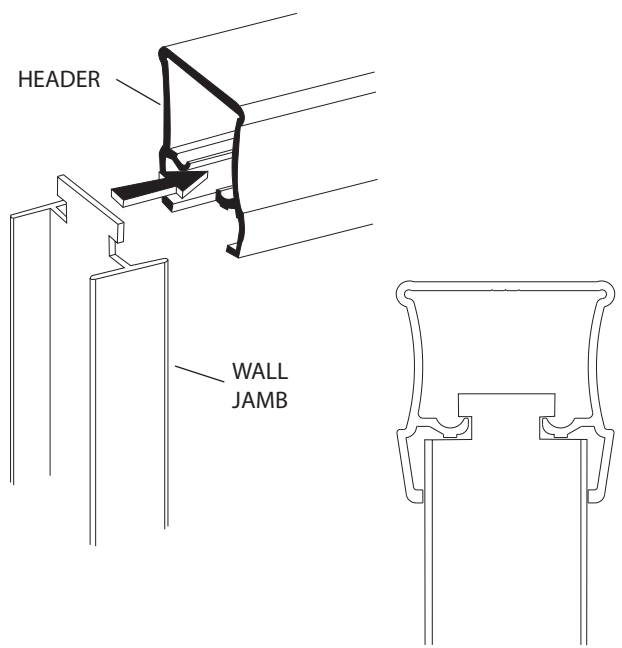


**5** This enclosure is equipped with safety "T" lock wall jambs. When properly installed, the header is permanently locked to the wall jambs and cannot be accidentally dislodged.

Measure the wall to wall opening at the top of the wall jambs and cut the header 1/16" short of this dimension. Check the header for fit.

Slide the safety "T" lock of the unmounted wall jamb into the end of the header. The header is reversible so that either face may be turned to the exterior of the unit. Holding the header at an angle, slide it over the "T" lock of the mounted wall jamb. Pivot the header into place and slide the loose wall jamb to the wall and press it into position on the bottom track.

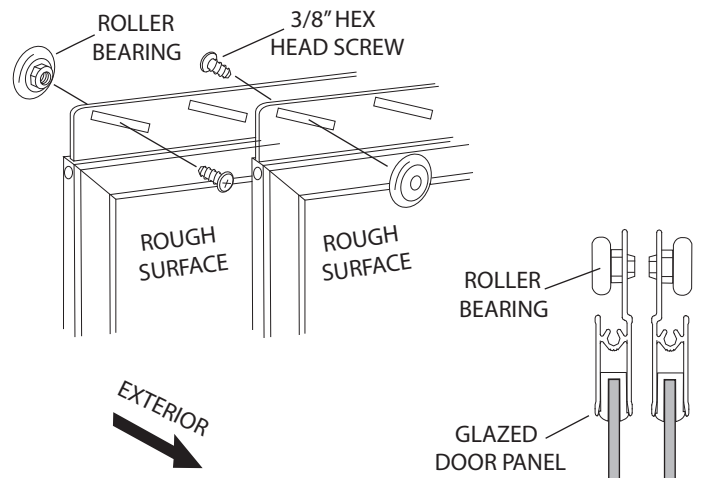
Attach the jamb to the wall per instructions in Step #4.



**6** **NOTE:** Obscure or patterned glass should be installed with the rough or textured surface of the glass to the exterior of the unit.

Units with obscure or patterned glass, there is an interior and exterior door panel [G] as determined by the position of the top fin with the angled slots. Door panels with clear glass are interchangeable unless they have been treated with Aquaglide.

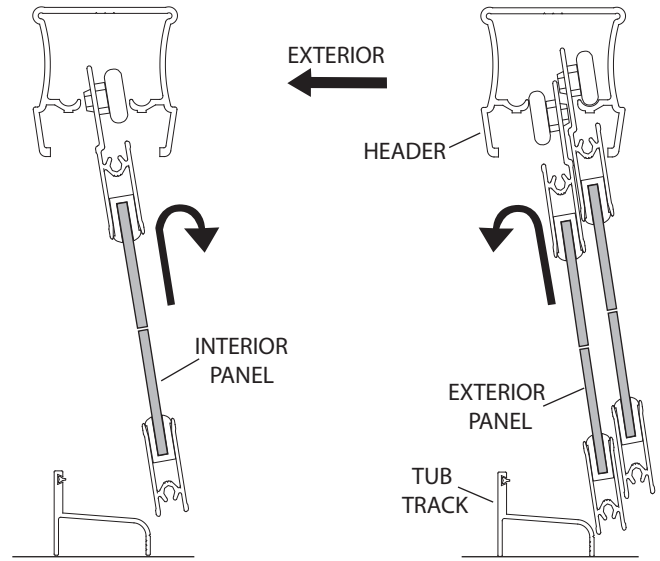
Attach the four nylon roller bearings [H] to the door panels, as shown, using the #8-32 x 3/8" hex head screws [J]. Center them in the outside slots of the top fins.



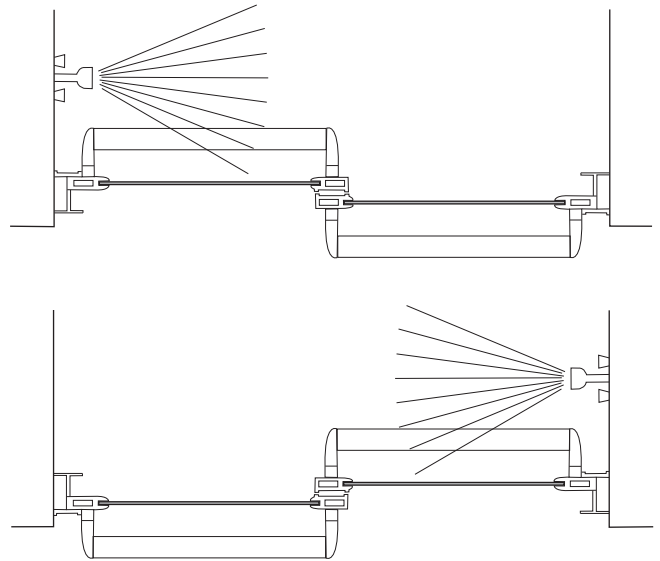
**7** Lift the interior panel (textured side of glass on the same side as the top fin) into position with the rollers engaging the roller track in the header.

Repeat for the exterior panel (textured side of glass on the opposite side as the top fin).

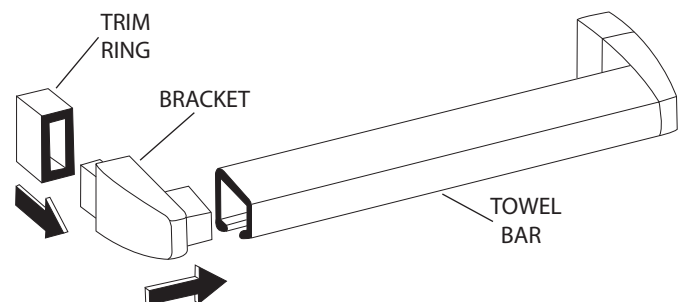
Check for alignment along the bottom and sides of each panel and adjust the rollers as necessary.



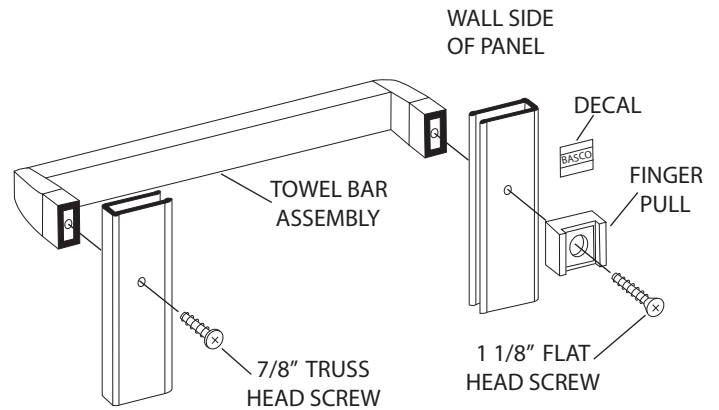
**8** Before finishing the installation, it is necessary to determine the proper closed position of the door panels. For maximum water control, position the interior panel closest to the shower head. (see illustration)



**9** Slide the four metal towel bar trim rings [K] over the clear acrylic towel bar brackets [L]. Press the brackets into the ends of the two towel bars [M].



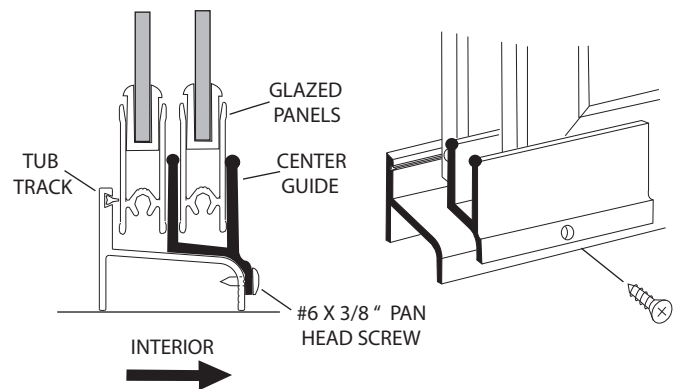
**10** From the *exterior*, insert a #10-24 x 7/8" truss head screw [N] through the rail that is closest to the center of the opening of the *interior panel*. Then, insert a #10-24 x 1 1/8" flat head screw [P] through an acrylic finger pull [R] and then through the rail that is closest to the wall. Attach a towel bar assembly, with the open slot in the bar facing down, to the interior panel by threading the screws into the acrylic brackets. (**CAREFUL** as to not overtighten the screws and strip the acrylic). Peel the backing from a BASCO decal [S] and press it into the recess of the acrylic finger pull.



Repeat the above steps, but from the *interior*, for the *exterior panel*.

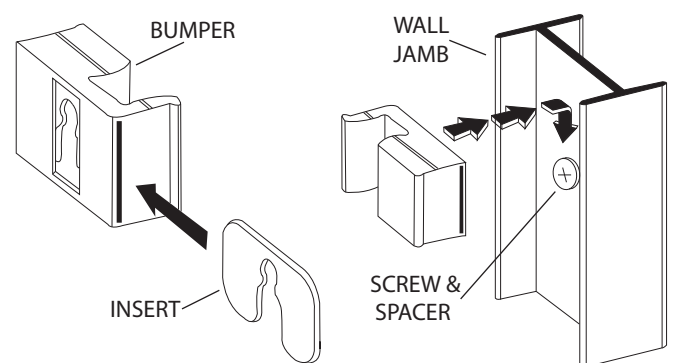
**11** Locate the nylon bottom guide [T] in the middle of the bottom track with both door panels against the wall with the shower head. Using a 1/8" drill bit, drill a hole into the "V" groove of the bottom track through the hole in the nylon guide.

Install the guide using a #6 x 3/8" pan head screw [U].



**12** Align the slots in the soft jamb bumpers [W] with the outer rails of the door panels (the side rails with the acrylic finger pulls). Slide the stainless steel bumper inserts [V] into the soft jamb bumpers with the open slot facing downward.

Slide the bumpers downward over the center wall jamb screw until they "lock" onto the nylon spacers installed in **Step #4**.



**13** Carefully silicone the seam between the walls and the wall jambs, the bottom track and the threshold on the inside of the shower as well as where the wall jambs and bottom track meet.

**NOTE:** Silicone on the exterior seam is optional.

**DO NOT USE** the shower until the silicone is completely cured. Check the tube of silicone for the manufacturer recommended cure time. (typically 24 - 48 hours)

