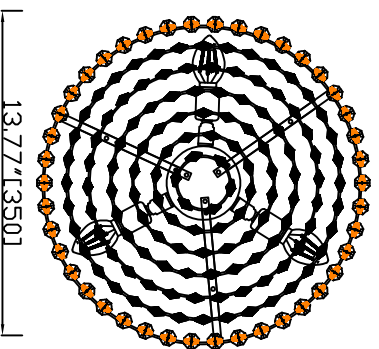
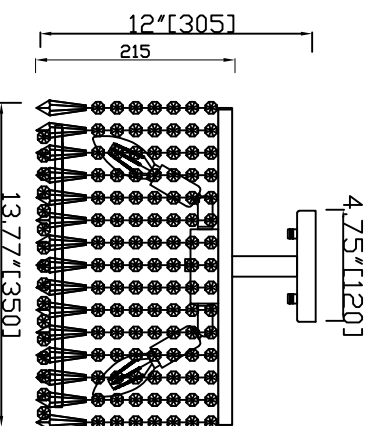
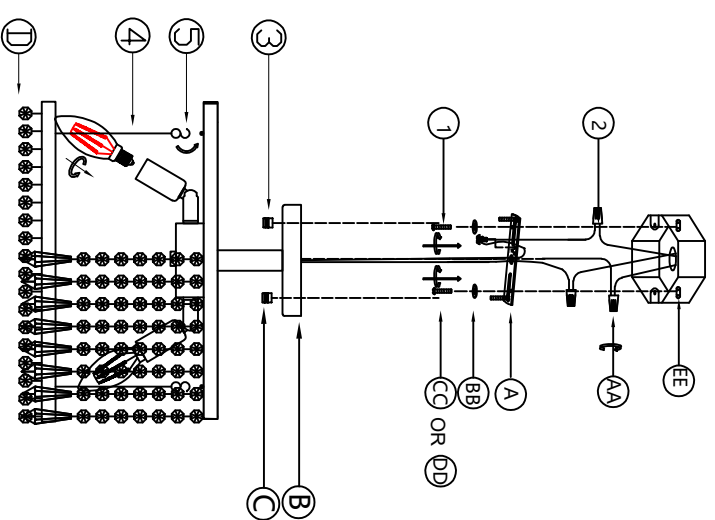


Carmel Ceiling Semi-Flush Mount 3LT



Carmel Ceiling Semi-Flush Mount 3LT

- AA  3X
- BB  2X
- CC  2X
- DD  2X
- EE  2X



Installation steps:

1. Secure mounting plate A to the junction box by rotating screw (CC or DD) through washer (BB).
2. Use wist-on wire connector(AA) to connect the lamp body's hot (live), neutral, and ground wires to the corresponding wires in the junction box.
3. Attach the ceiling plate to mounting plate A using metal connector C.
4. Install the E12X3 light bulbs (bulbs not included).
5. Hang D onto lamp body B.