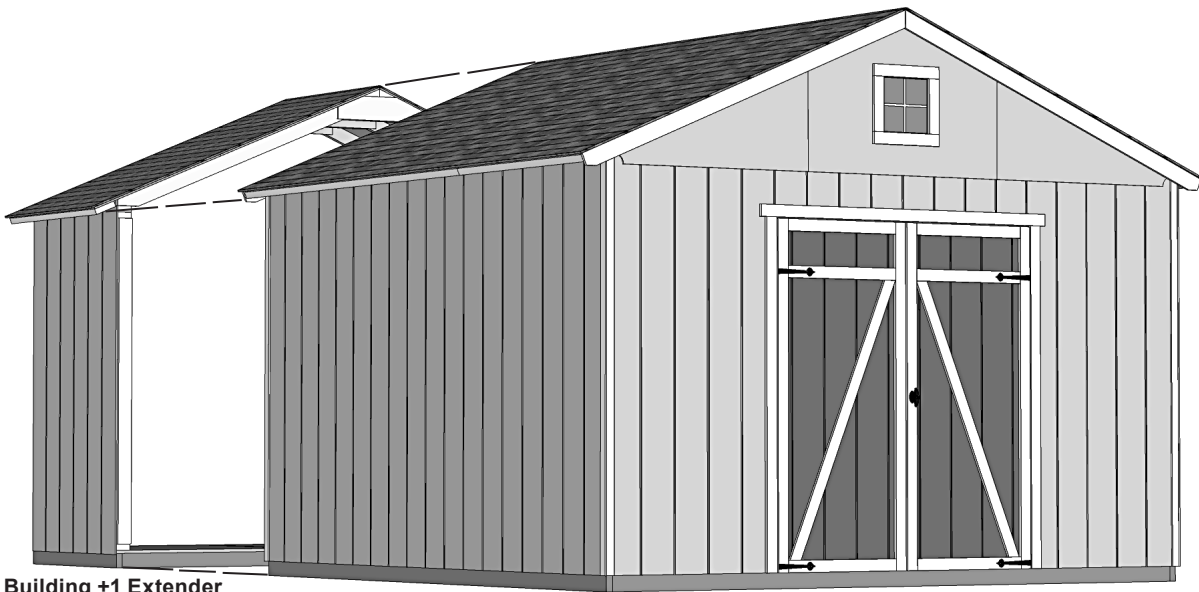


	<i>BUILDING SIZE</i>	<i>ACTUAL FLOOR SIZE</i>
<i>BASE MODEL</i>	<i>12' x 12' (365,8 x 365,8 cm)</i>	<i>12' x 12' (365,8 x 365,8 cm)</i>
<i>+1: 12' x 4' Extender</i>	<i>12' x 16' (365,8 x 487,7 cm)</i>	<i>12' x 16' (365,8 x 487,7 cm)</i>
<i>+1: 12' x 8' Extender</i>	<i>12' x 20' (365,8 x 609,6 cm)</i>	<i>12' x 20' (365,8 x 609,6 cm)</i>
<i>+1: 12' x 8' and +1: 12' x 4' Extender</i>	<i>12' x 24' (365,8 x 731,5 cm)</i>	<i>12' x 24' (365,8 x 731,5 cm)</i>

**KEEP THIS MANUAL FOR FUTURE REFERENCE**



Base Building +1 Extender  
12' x 16'

Base Building 12' x 12'

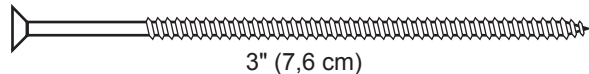
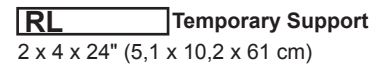
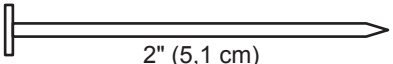
*... continued from PART 1*

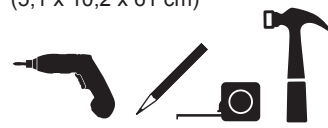
(Continued from PART 1, page 50.)

**RAFTERS**

12x12' 12x16' 12x20' 12x24'

**PARTS REQUIRED:**

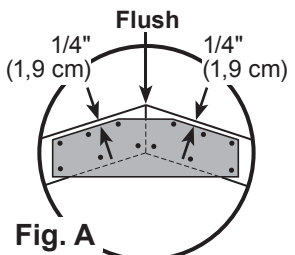
x12	x16	x20	x24	x2	 3" (7,6 cm)
x14	x18	x22	x26	x1	 Temporary Support 2 x 4 x 24" (5,1 x 10,2 x 61 cm)
x144	x192	x240	x288	x2	 2" (5,1 cm)



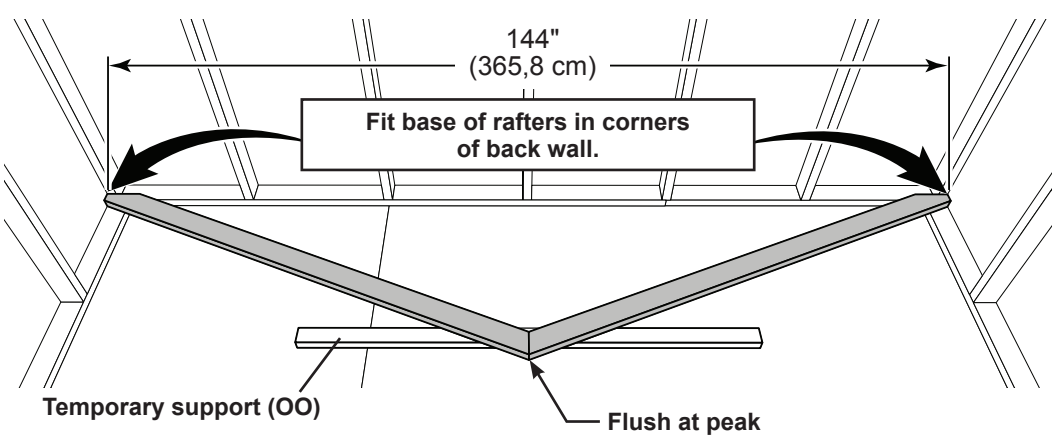
**Build (2) rafter assemblies with (1) gusset (Fig. B).**

**BEGIN**

- Place two rafter-halves **AD** in the corner of back and side walls, flush to panels and studs.  
Flush rafters at peak. Secure gusset to rafters with 2" nails following the pattern shown (Fig. A).



**HINT:**  
Use floor and walls to help assemble rafters!

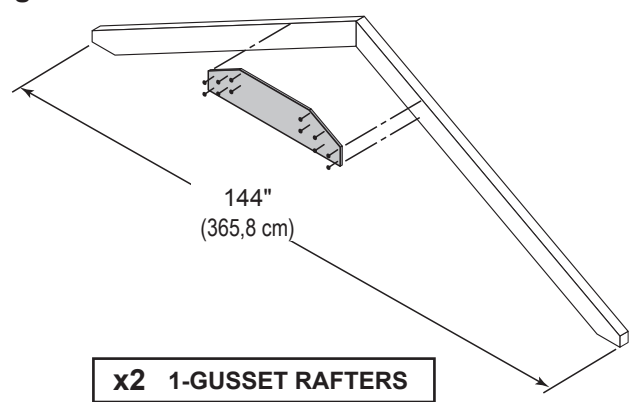


**SET ASIDE THESE TWO RAFTER ASSEMBLIES.**

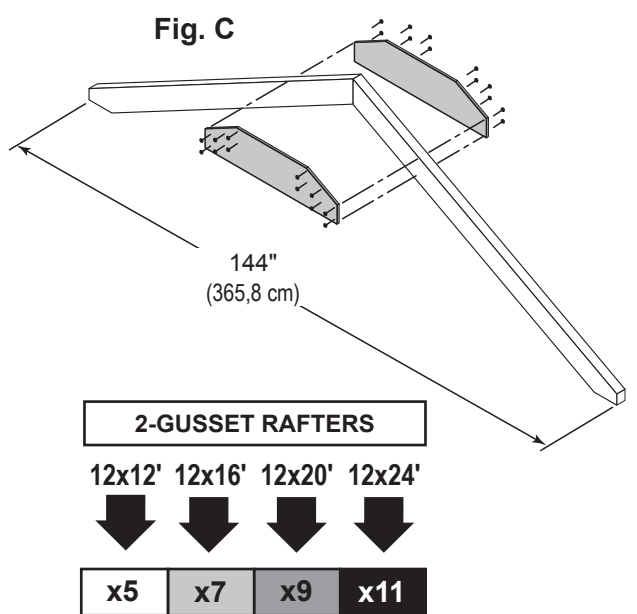
**Depending on your shed size, build rafters with (2) gussets (Fig. C).**

- Place two rafter-halves on floor and flush in the corners of wall and **RL**, as shown in STEP - 1. Flush rafters at peak. Secure gusset to rafters with 2" nails following the pattern shown (Fig. A).
- Flip over rafter assembly and fasten second gusset to other side with 2" nails (Fig. C).

**Fig. B - Build 2 for all sizes**



**Fig. C**



**FINISH**

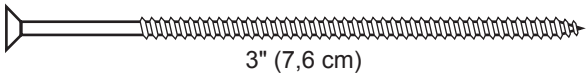
Your rafters are now assembled.  
Remove RL and screws from floor.

# 12x12' 12x16' RAFTER INSTALLATION

## PARTS REQUIRED:



- 12x12'
12x16'
- x5
x7
- x28
x36



### ✓ BEGIN

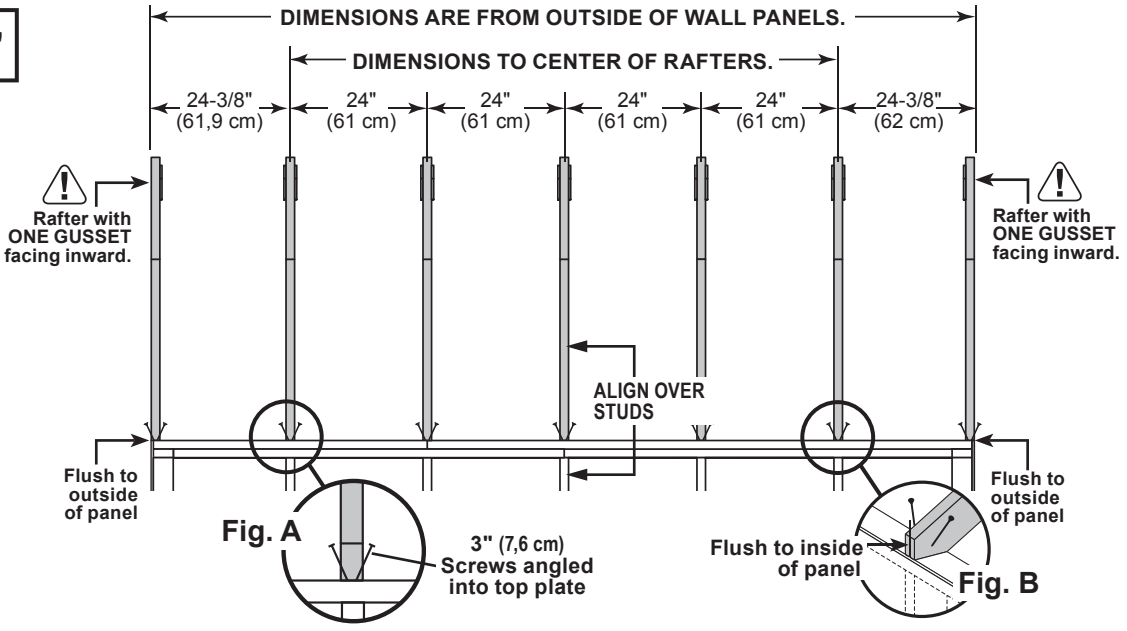
**1** Align rafters over the wall studs.



- Check that you have the measurements shown.
- Secure rafters with (2) 3" screws angled at each end (**Fig. A, Fig. B**).
- Secure rafters on opposite side.

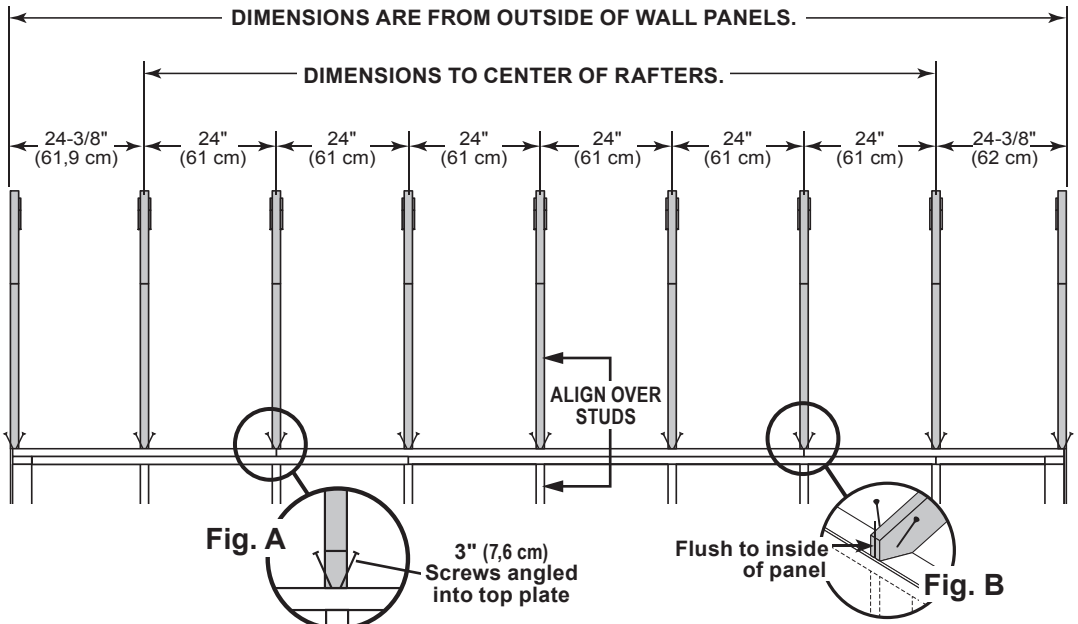
**!** *Maintain the measurements between rafters.*

**12' x 12'**



**!** *Maintain the measurements between rafters.*

**12' x 16'**



### FINISH

Your rafters are now installed.

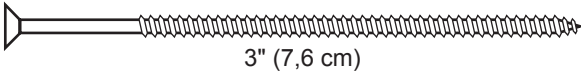
# 12x20' 12x24' RAFTER INSTALLATION

**PARTS REQUIRED:**



**12x20'**  
**x9**  
**x44**

**12x24'**  
**x11**  
**x52**



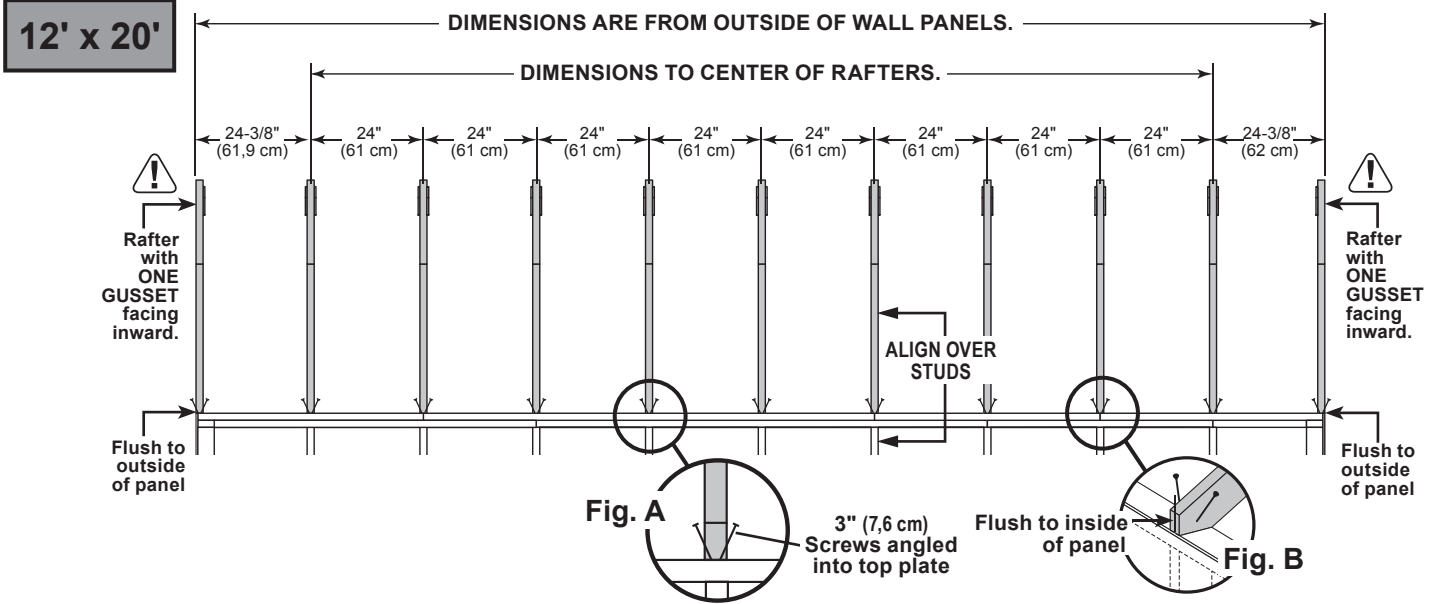
**BEGIN**

**1** Align rafters over the wall studs.

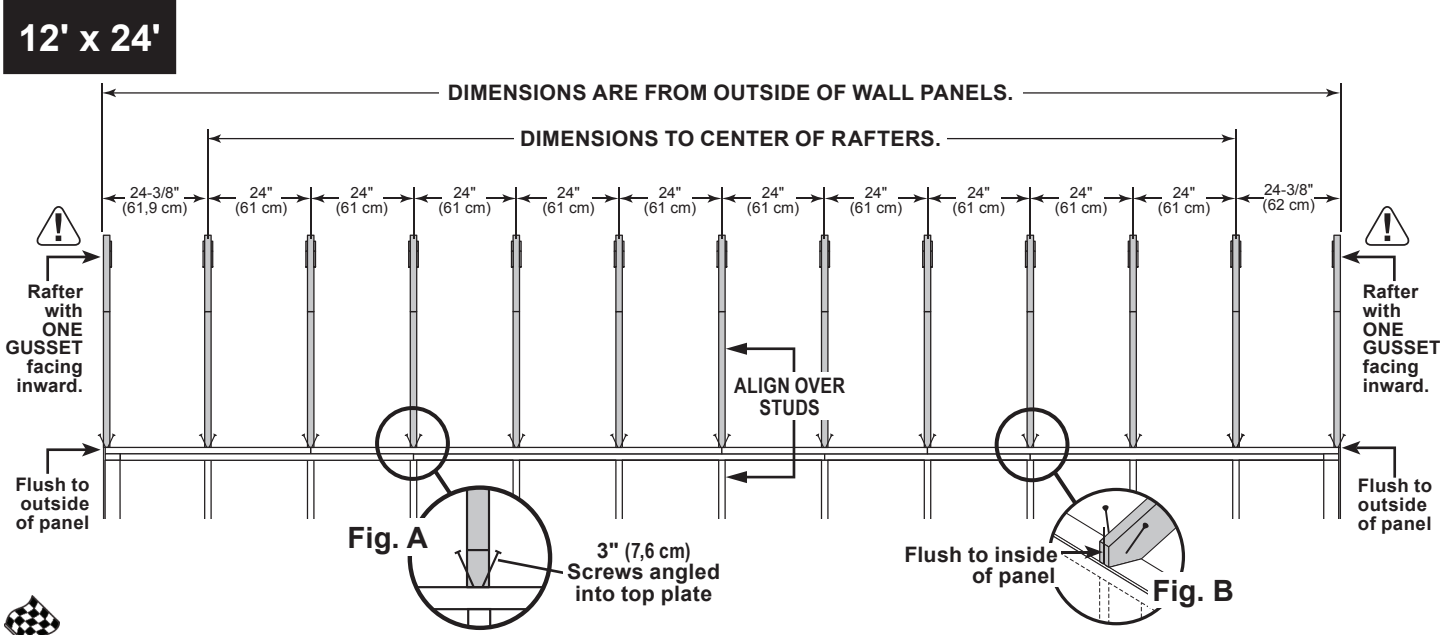


Check that you have the measurements shown.  
 Secure rafters with (2) 3" screws angled at each end (**Fig. A, Fig. B**).  
 Secure rafters on opposite side.

**!** *Maintain the measurements between rafters.*



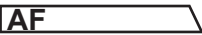
**!** *Maintain the measurements between rafters.*

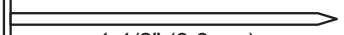


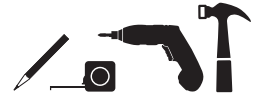
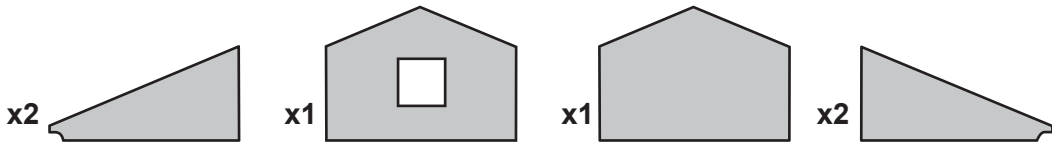
**FINISH**

Your rafters are now installed.

## GABLE UNITS

**PARTS REQUIRED:** x4 **AF**  2 x 4 x 18-1/8" (5,1 x 10,2 x 46 cm)

x32  1-1/2" (3,8 cm)



*Install gable panels with the primed side facing up.*

**✓ BEGIN**

**1** Place middle panel on (2) **AF**. Arrange parts to measurements shown.

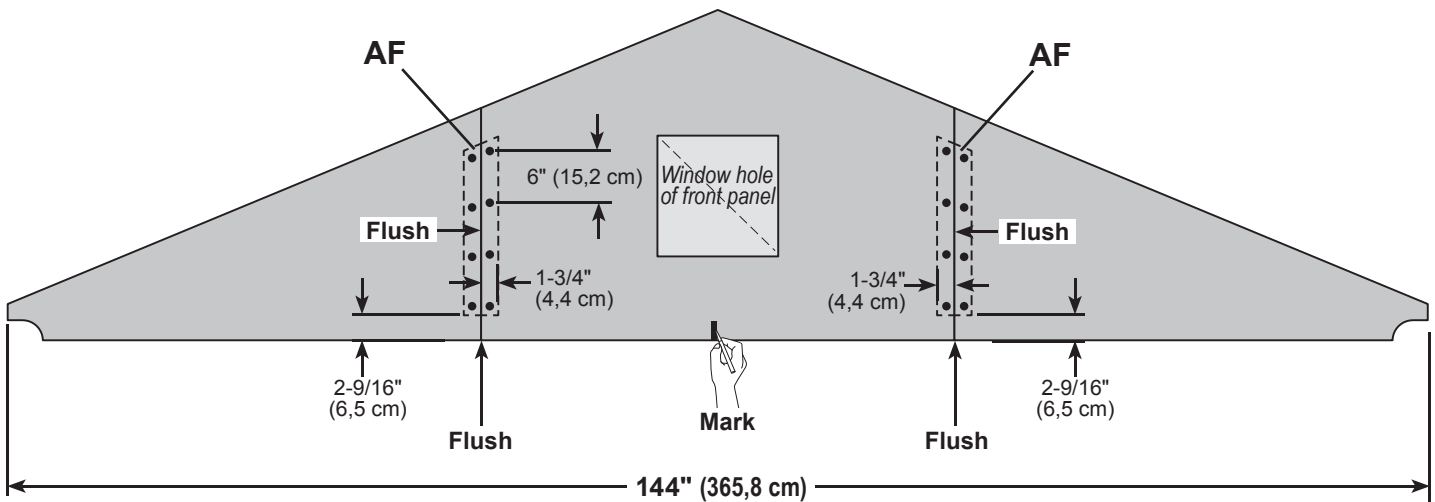
Secure panel with 1-1/2" nails spaced 6" apart along edge.

Check measurements as you build the gable unit.

**2** Place left and right panels on **AF**, flush to middle panel.

Secure panel with 1-1/2" nails spaced 6" apart along edge.

Mark the center of the middle gable panel.



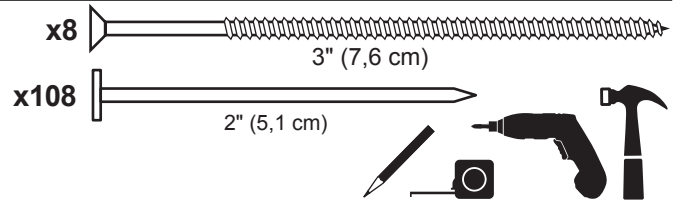
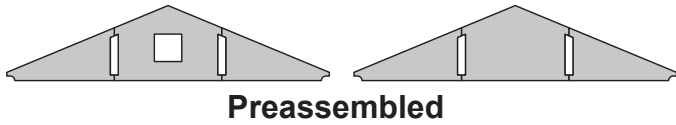
Repeat steps to assemble the 2nd gable unit.



Your (2) gable units are now assembled.

# GABLE INSTALLATION

## PARTS REQUIRED:



### ✓ BEGIN

- 1 Measure 2-9/16" (6,5 cm) down from top plate doubler and mark at each side as shown. Set gable unit on top plate. Fasten with (1) 2" nail on each side.

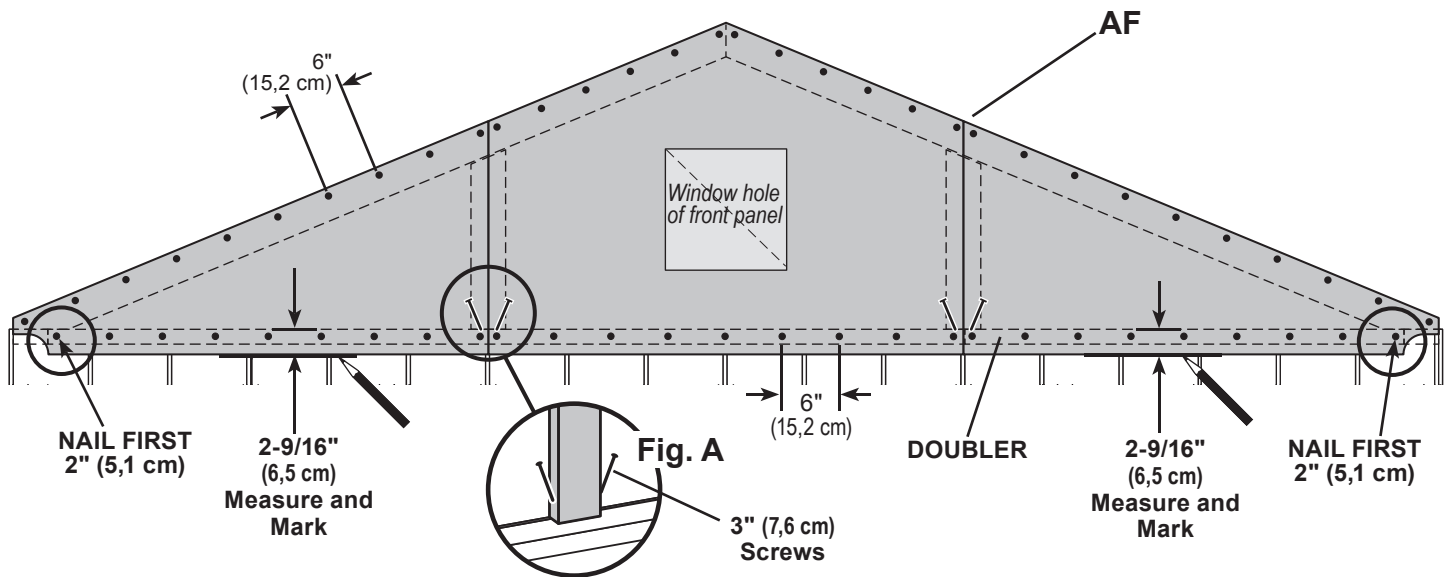


**⚠ BE SURE GABLE IS CENTERED ON WALL BEFORE NAILING.**

Continue nailing lower edge of panels to wall doubler with 2" nails spaced 6" apart.

- 2 Secure gable panels to rafter with with 2" nails spaced 6" apart.

- 3 Working inside, secure gable unit with (2) 3" screws angled into each **AF** at an angle (**Fig. A**).



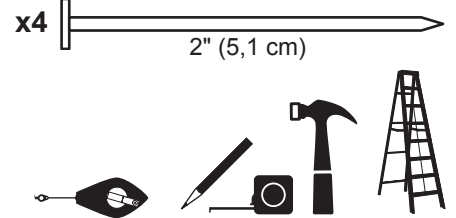
Repeat steps to install the opposite side gable.




Your gable units are now installed.

# 12' x 12' ROOF PANELS

## PARTS REQUIRED:



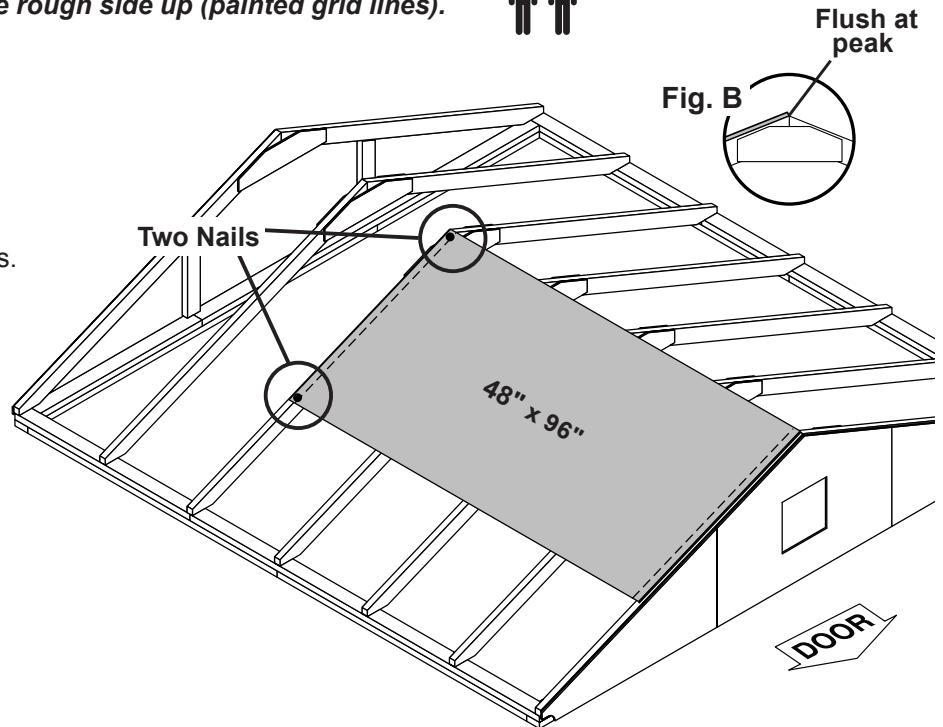
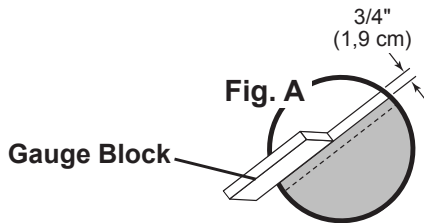
 **Roof panels may cause serious injury until securely fastened.**  
*Note: Install all roof panels with the rough side up (painted grid lines).*



✓ **BEGIN**  
**1**

Place the 48" x 96" panel on rafters with a 3/4" measurement on the rafter (**Fig. A**) and the panel flush at the peak (**Fig. B**).

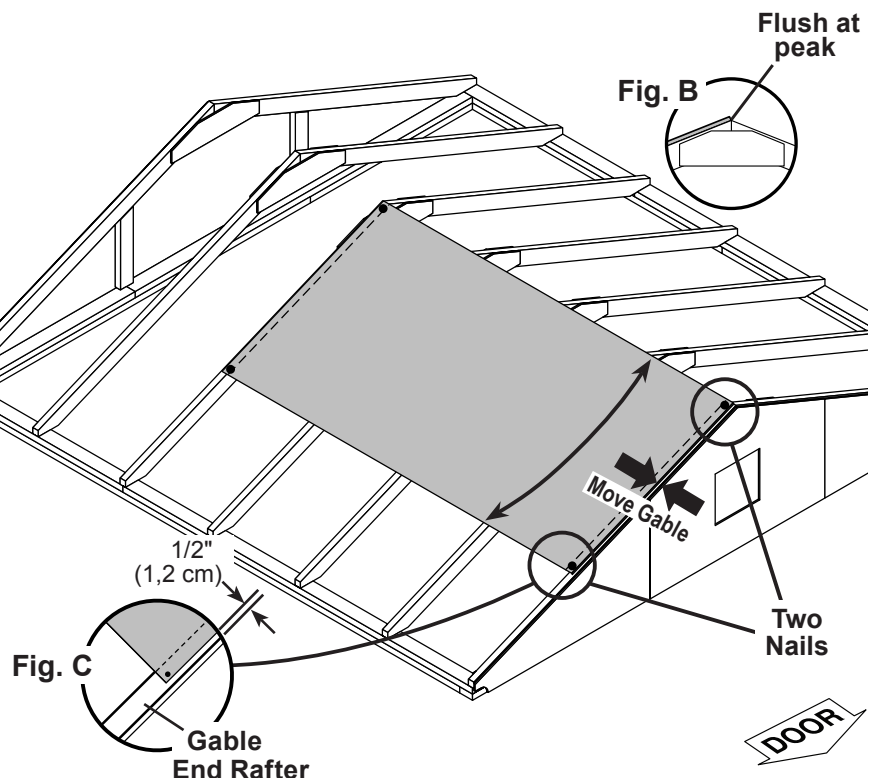
Secure panel with (2) 2" nails in the corners.



**2**

Move to the opposite end.  
Using the long edge of the panel as a lever, move the panel side-to-side until the top corner is flush to the peak (**Fig. B**) and there is a 1/2" measurement on the gable end rafter (**Fig. C**).


Secure panel with (2) 2" nails in the corners.



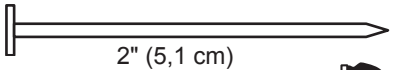


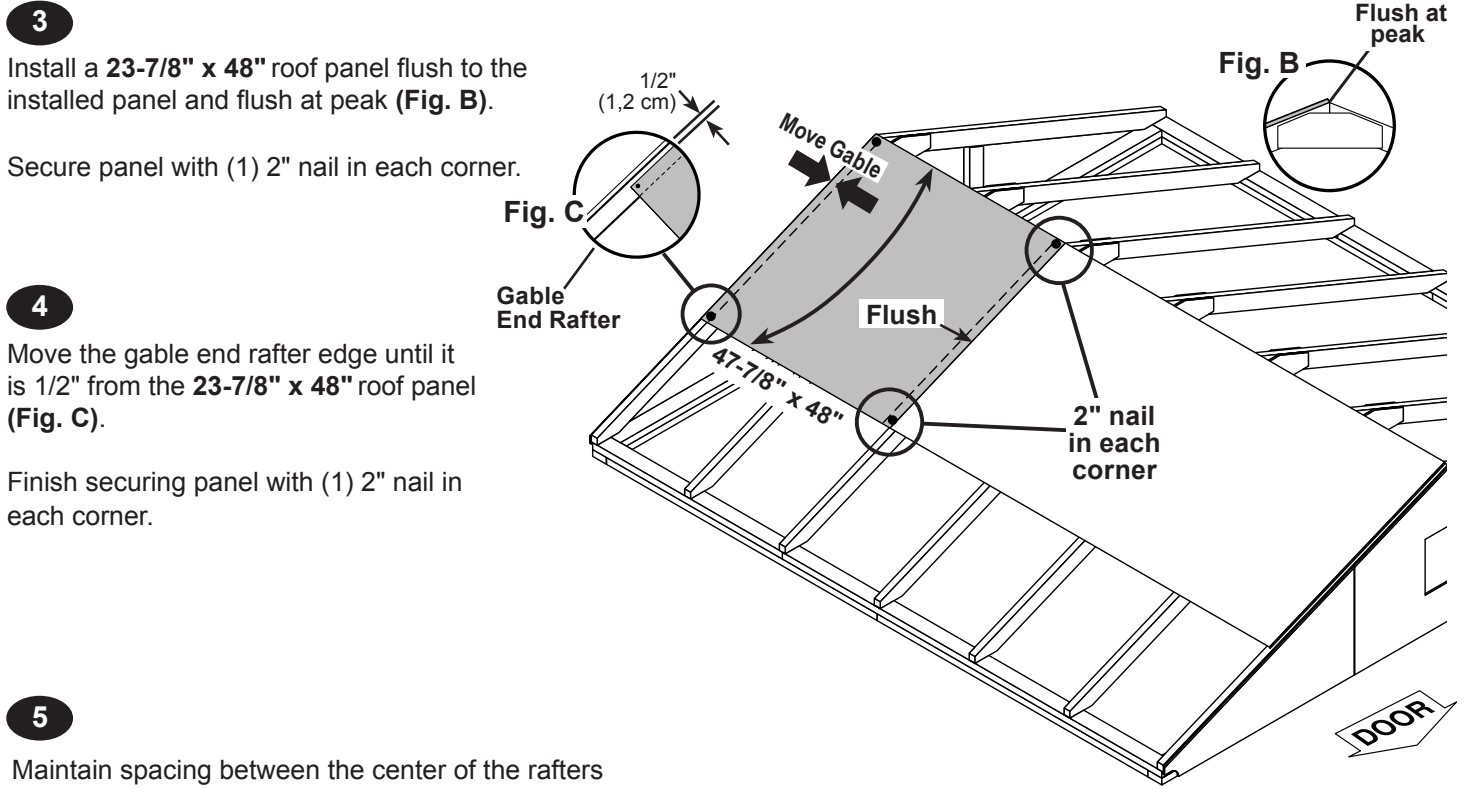
# 12' x 12' ROOF PANELS

## PARTS REQUIRED:

x1  47-7/8" x 48"  
(121,6 x 121,9 cm)



x12  2" (5,1 cm)



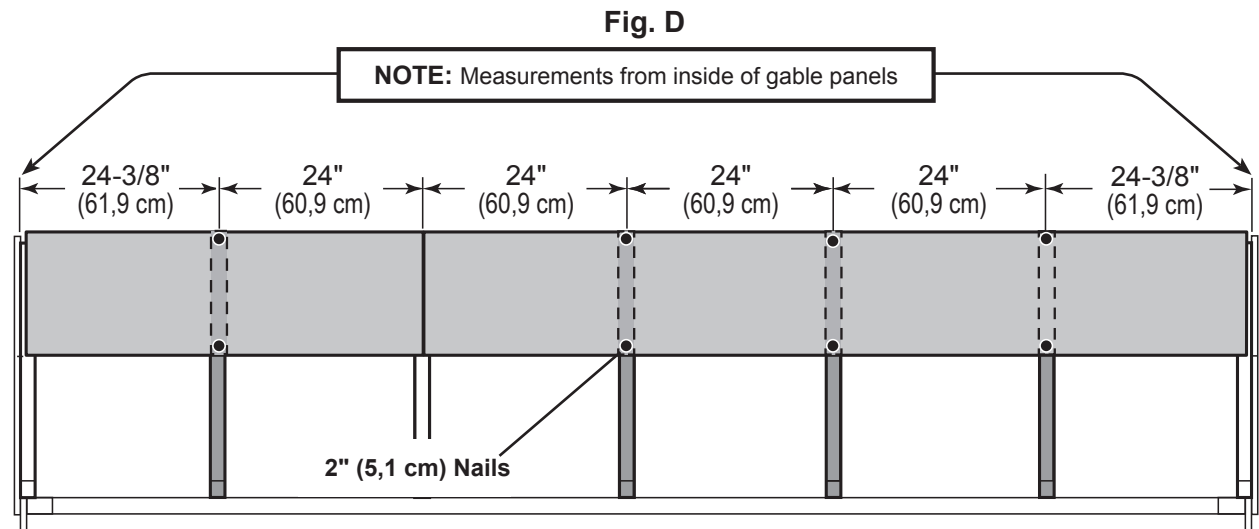
**5**

Maintain spacing between the center of the rafters at the lower edge of the panels (**Fig. D**).

Secure panels with (1) 2" nail into each rafter, as shown.

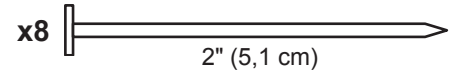
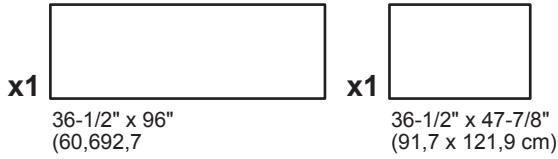
Move to the top of the panel and keep spacing between the center of the rafters.

Secure panels with (1) 2" nail into each rafter.



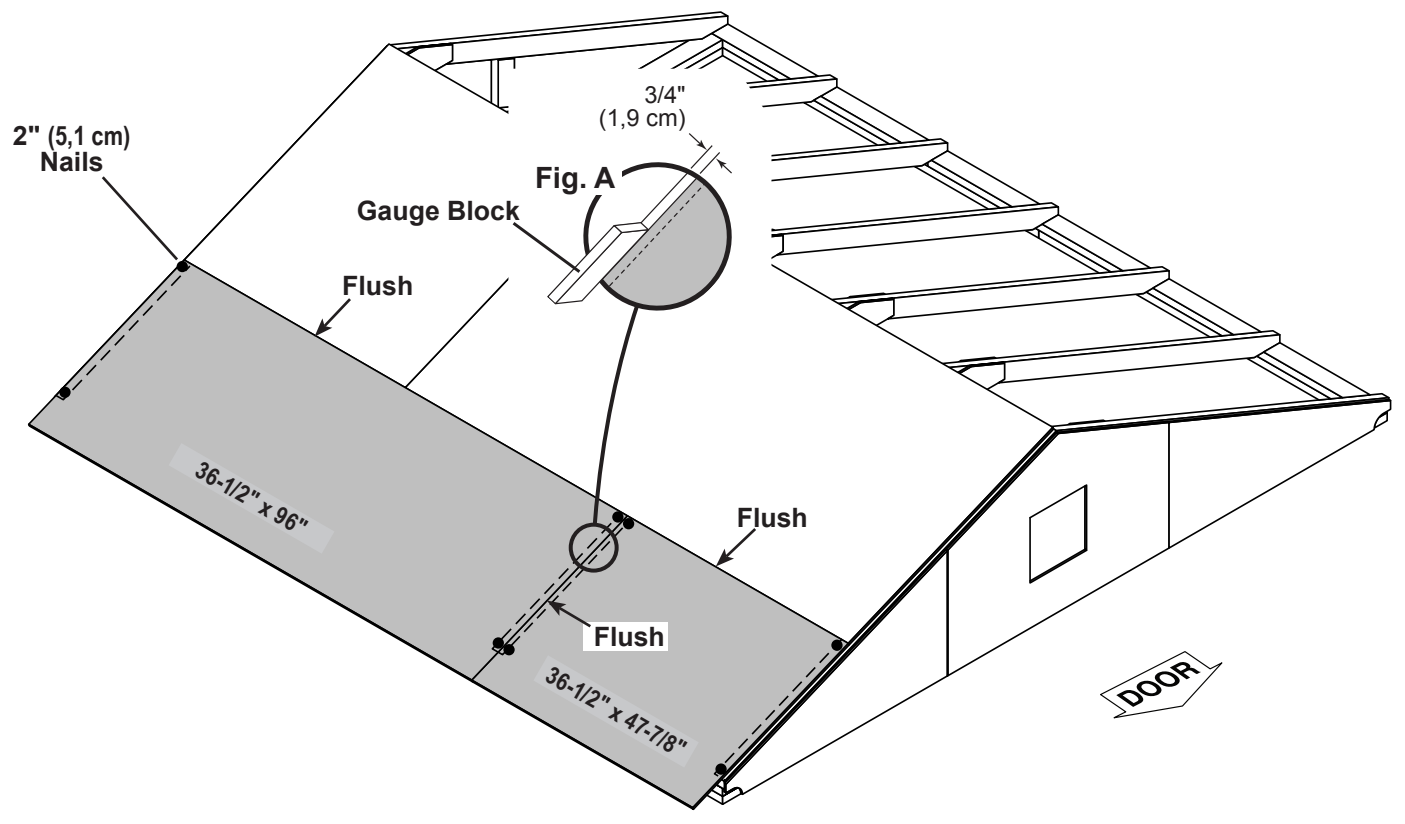
# 12' x 12' ROOF PANELS

## PARTS REQUIRED:



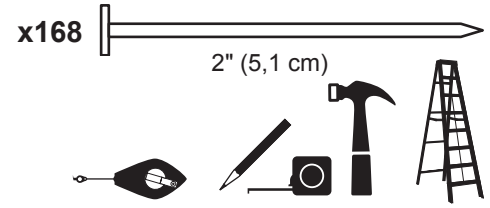
**6** Next, install **36-1/2" x 47-7/8"** and **36-1/2" x 96"** roof panels with a **3/4"** measurement on the rafter (**Fig A**) and flush to the installed panels (**Fig. E**).

Secure panels with (1) 2" nail in each corner.

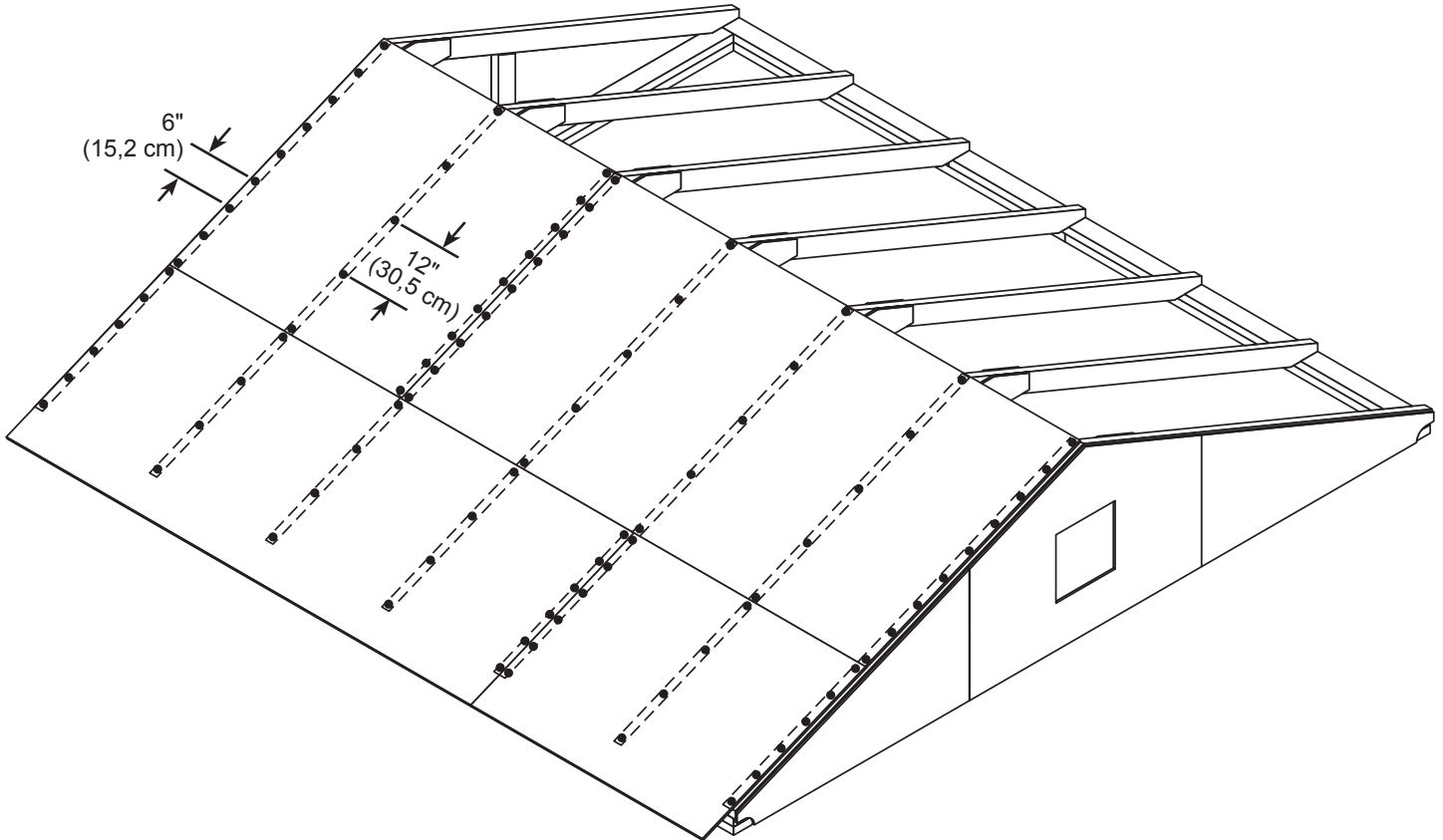


## 12' x 12' ROOF PANELS

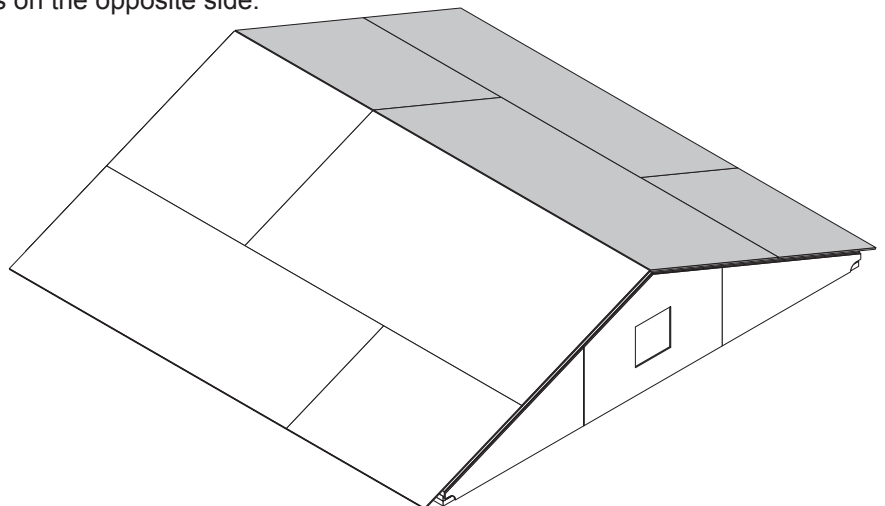
### PARTS REQUIRED:



- 7 Secure all roof panels with 2" nails spaced 6" apart and 12" apart inside panels.



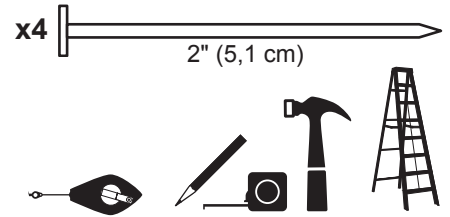
Repeat all steps to install roof panels on the opposite side.




Your roof panels are now installed.

# 12' x 16' ROOF PANELS

## PARTS REQUIRED:

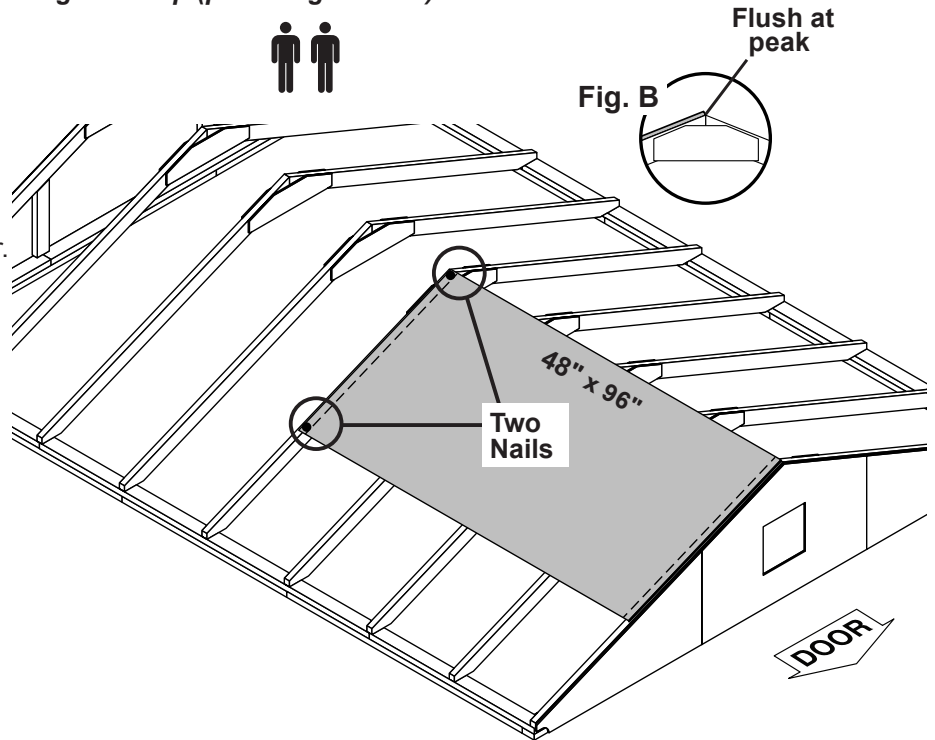
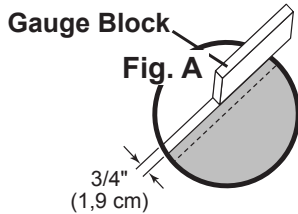


 **Roof panels may cause serious injury until securely fastened.**  
*Note: Install all roof panels with the rough side up (painted grid lines).*

✓ **BEGIN**  
**1**

Place the **48" x 96"** panel on rafters with a **3/4"** measurement on the rafter (**Fig A**) and the panel flush at the peak (**Fig. B**).

Secure panel with (1) 2" nail in each corner.

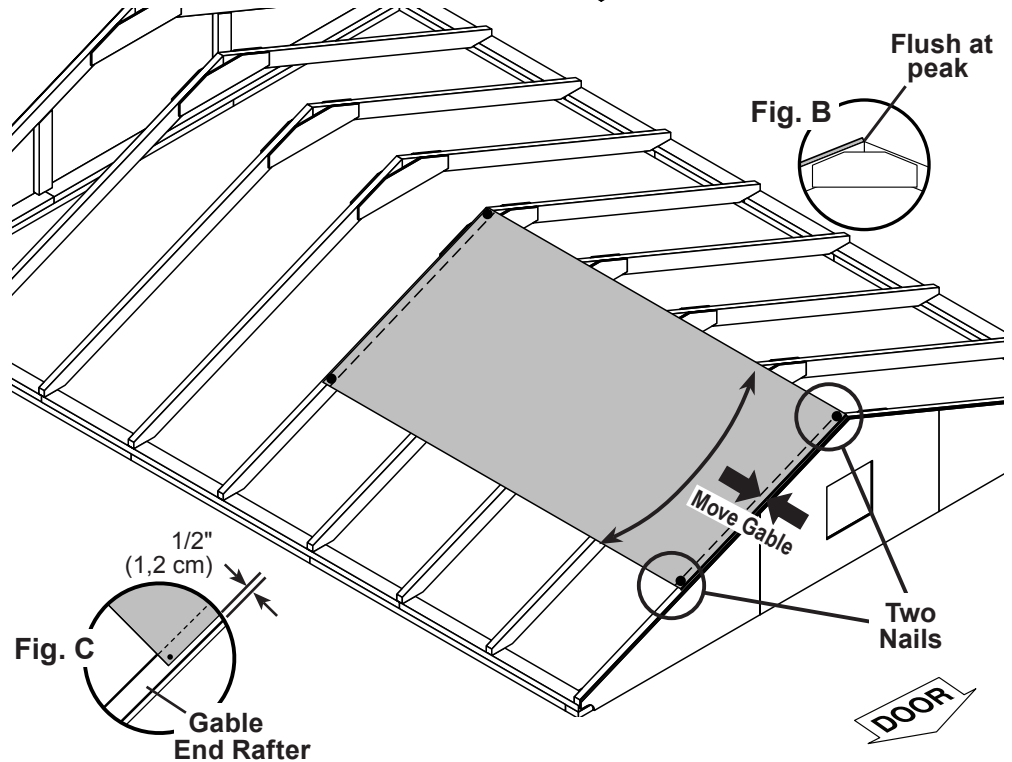


**2**

Move to the opposite end. Using the long edge of the panel as a lever, move the panel side-to-side until the top corner is flush to the peak (**Fig. B**).

Move gable end rafter edge until it is 1/2" from the panel (**Fig. C**).

Secure panel with (1) 2" nail in each corner.



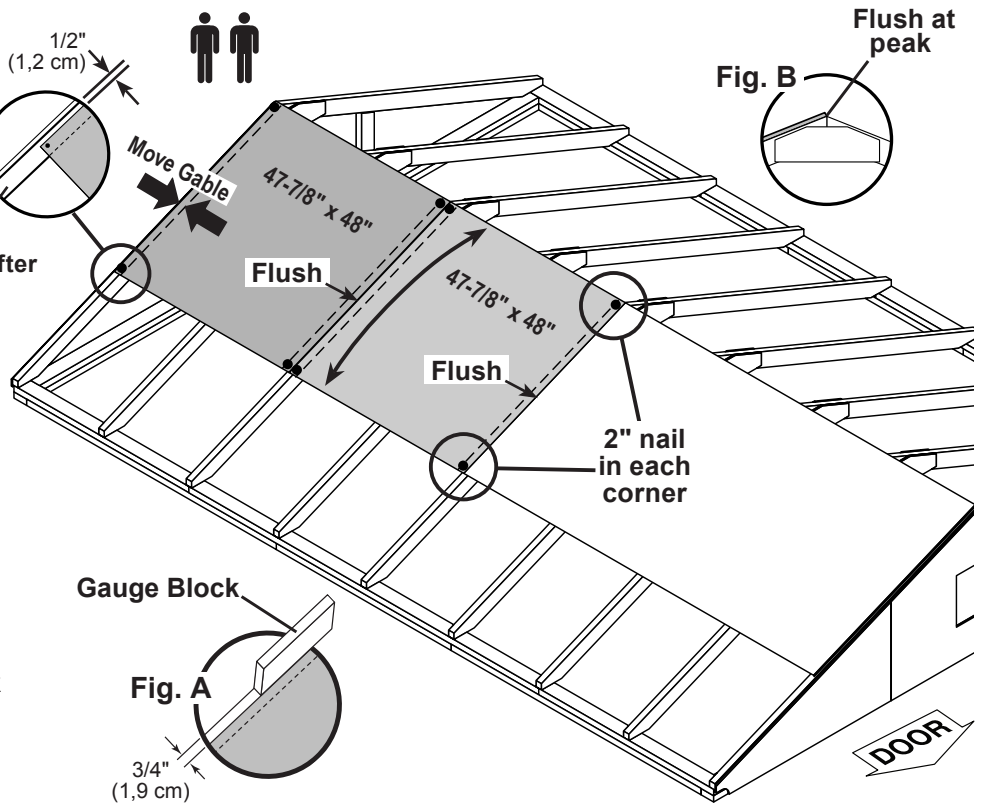
# 12' x 16' ROOF PANELS

## PARTS REQUIRED:



**3**  
Install first  $47\text{-}7/8'' \times 48''$  roof panel flush to the installed panel and flush at the peak. Secure panel with (1) 2" nail in each corner.

Move to the opposite end. Using the unattached end of the panel as a lever, move the panel side-to-side until the top corner is flush to the peak (**Fig. B**) and there is a  $3/4''$  measurement on the rafter (**Fig A**). Finish securing panel with (1) 2" nail in each corner.

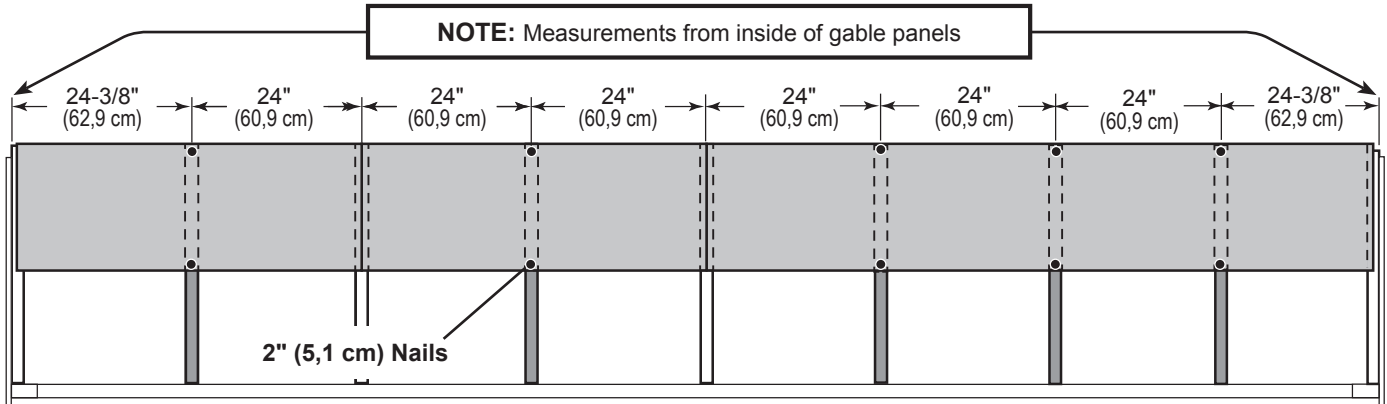


**4**  
Install next  $48'' \times 48''$  roof panel flush to the installed panel and flush at the peak (**Fig. B**). Secure panel with (1) 2" nail in each corner.

Move gable end rafter edge until it is  $1/2''$  from the 2nd  $48'' \times 48''$  roof panel (**Fig. C**). Finish securing panel with (1) 2" nail in each corner.

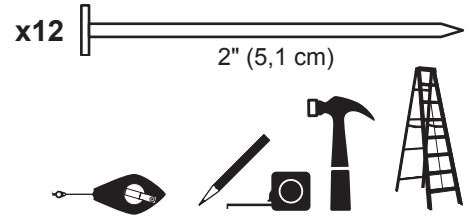
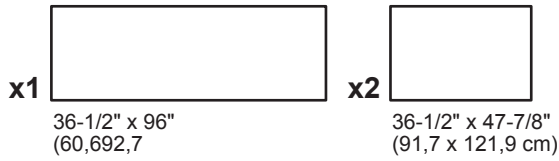
**5**  
Maintain spacing between the center of the rafters at the lower edge of the panels (**Fig. D**). Secure panels with (1) 2" nail into each rafter, as shown. Move to the top of the panel and keep spacing between the center of the rafters. Secure panels with (1) 2" nail into each rafter.

**Fig. D**

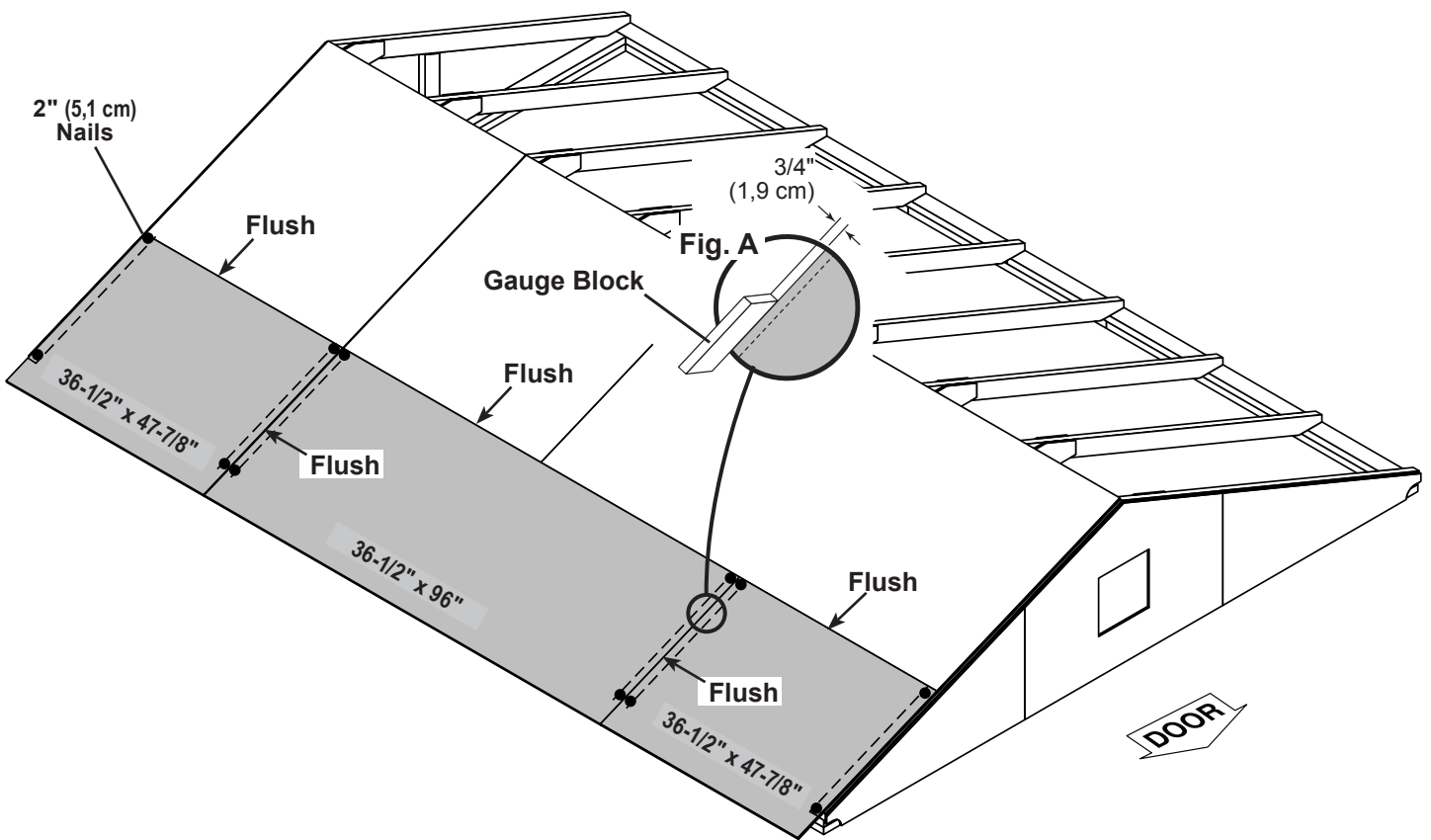


# 12' x 16' ROOF PANELS

## PARTS REQUIRED:



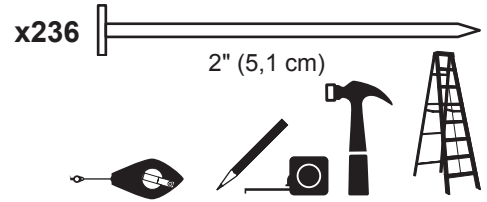
- 6** Next, install **36-1/2" x 96"** with a **3/4"** measurement on the rafter (**Fig A**), and flush to the installed panels. Secure panel with (1) **2"** nail in each corner.



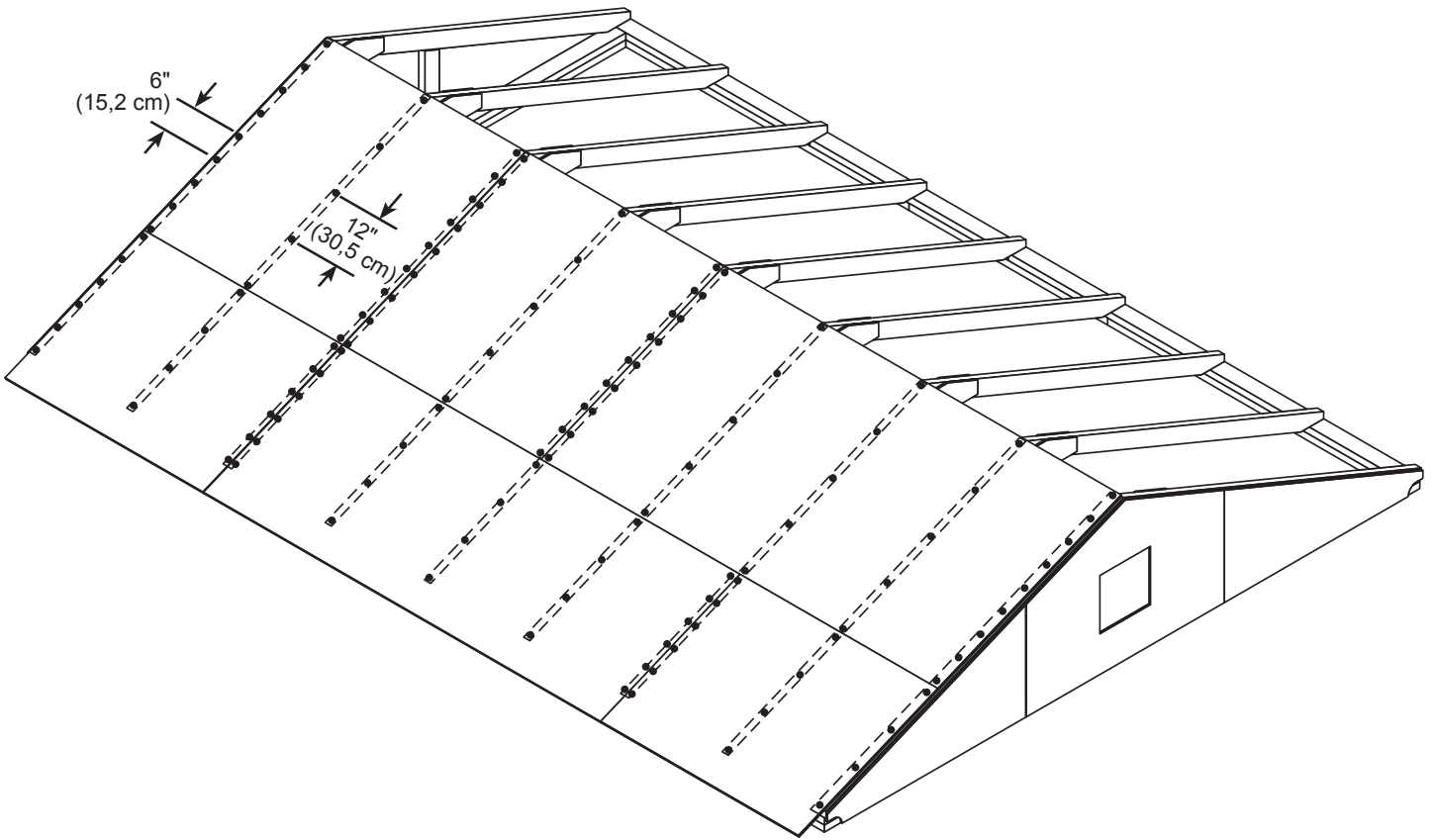
- 7** Instal (2) **36-1/2" x 47-7/8"** roof panels flush to the installed panels in the following order: Secure panels with (1) **2"** nail in each corner.

## 12' x 16' ROOF PANELS

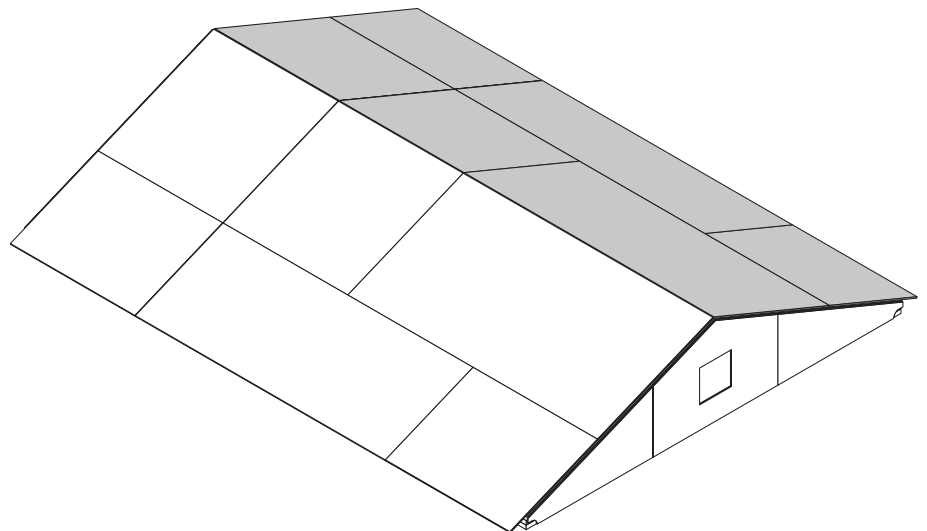
### PARTS REQUIRED:



- 8 Secure all roof panels with 2" nails spaced 6" apart and 12" apart inside panels.



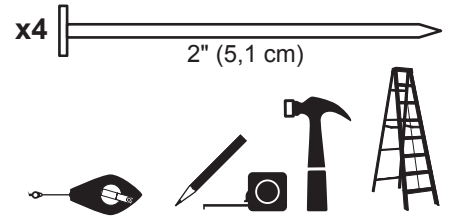
Repeat all steps to install roof panels on the opposite side.




Your roof panels are now installed.

# 12' x 20' ROOF PANELS

## PARTS REQUIRED:



 Roof panels may cause serious injury until securely fastened.  
*Note: Install all roof panels with the rough side up (painted grid lines).*

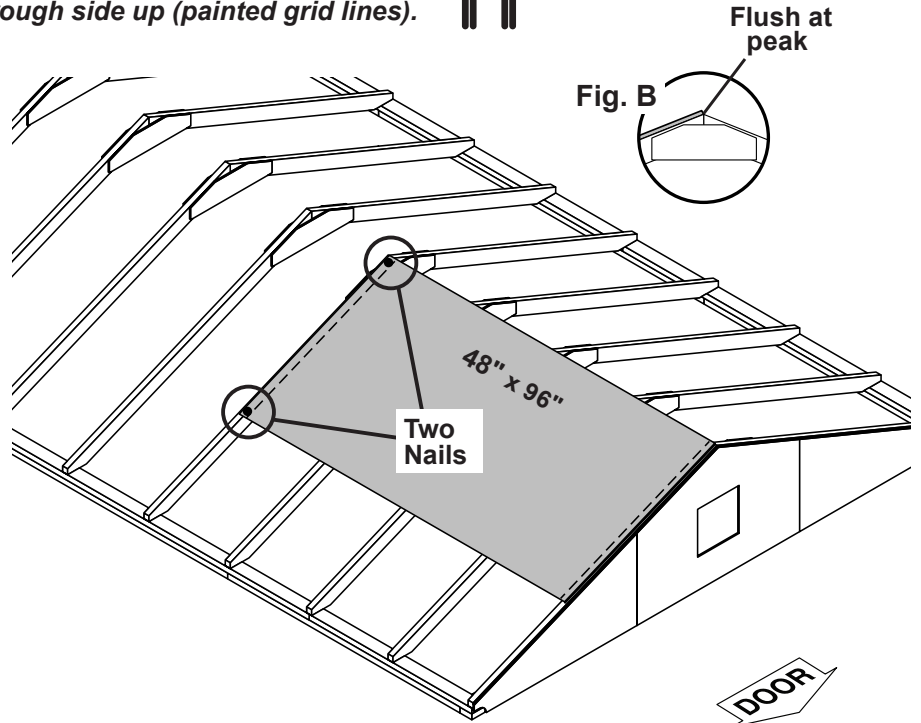
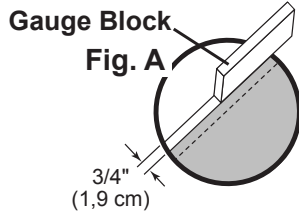


✓ BEGIN

**1**

Place the 48" x 96" panel on rafters with a 3/4" measurement on the rafter (Fig A) and the panel flush at the peak (Fig. B).

Secure panel with (1) 2" nail in each corner.

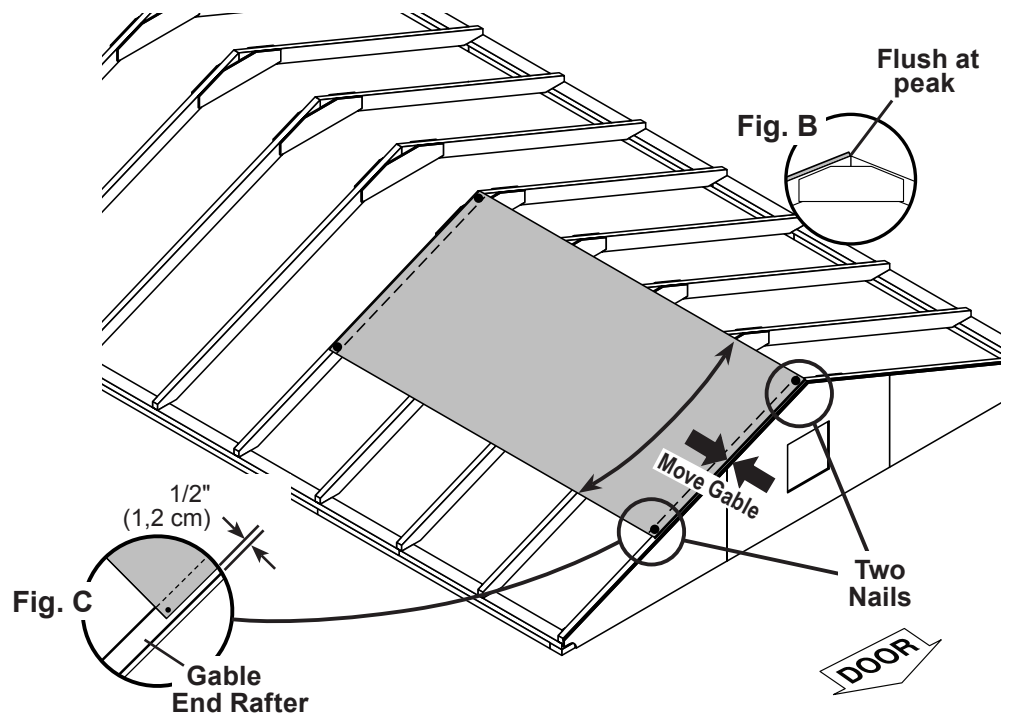


**2**

Move to the opposite end. Using the long edge of the panel as a lever, move the panel side-to-side until the top corner is flush to the peak (Fig. B).

Move gable end rafter edge until it is 1/2" from the panel (Fig. C).

Secure panel with (1) 2" nail in each corner.





# 12' x 20' ROOF PANELS

## PARTS REQUIRED:



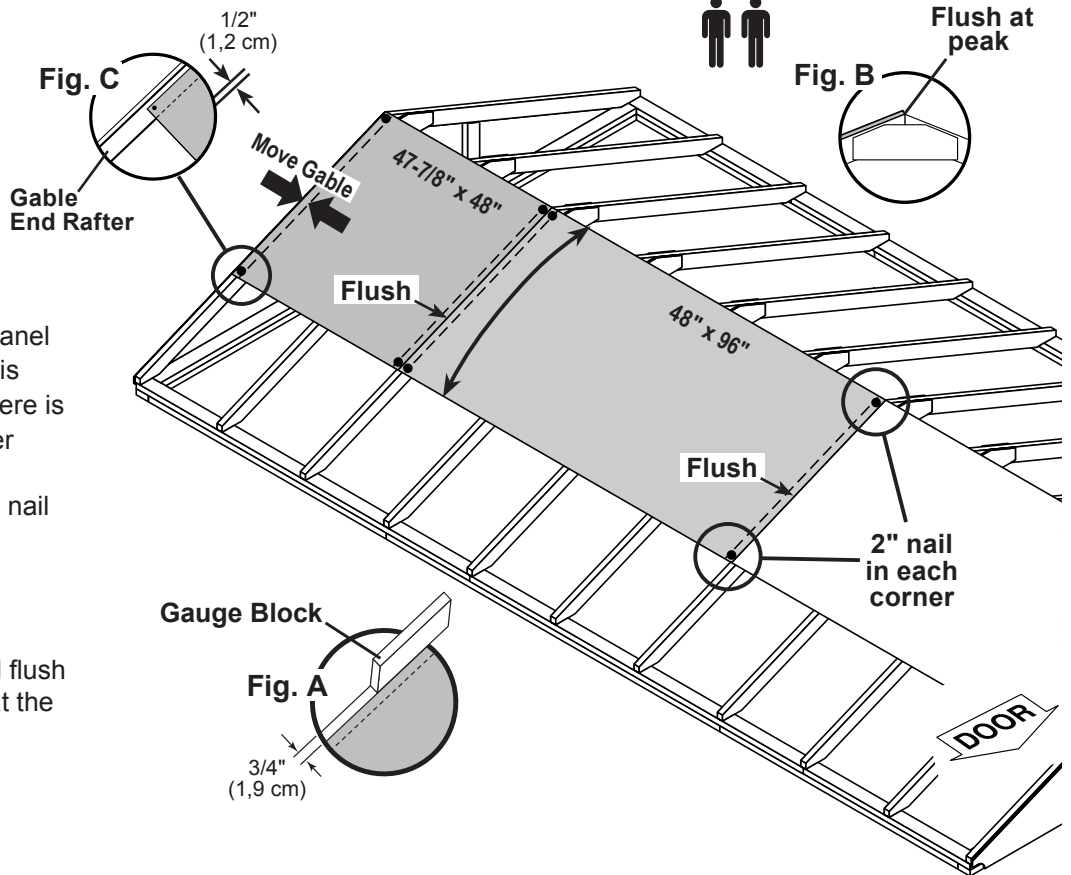
**3**  
Install next 48" x 96" roof panel flush to the installed panel and flush at the peak.  
Secure panel with (1) 2" nail in each corner.

Move to the opposite end.  
Using the unattached end of the panel as a lever, move the panel side-to-side until the top corner is flush to the peak (**Fig. B**) and there is a 3/4" measurement on the rafter (**Fig. A**).  
Finish securing panel with (1) 2" nail in each corner.

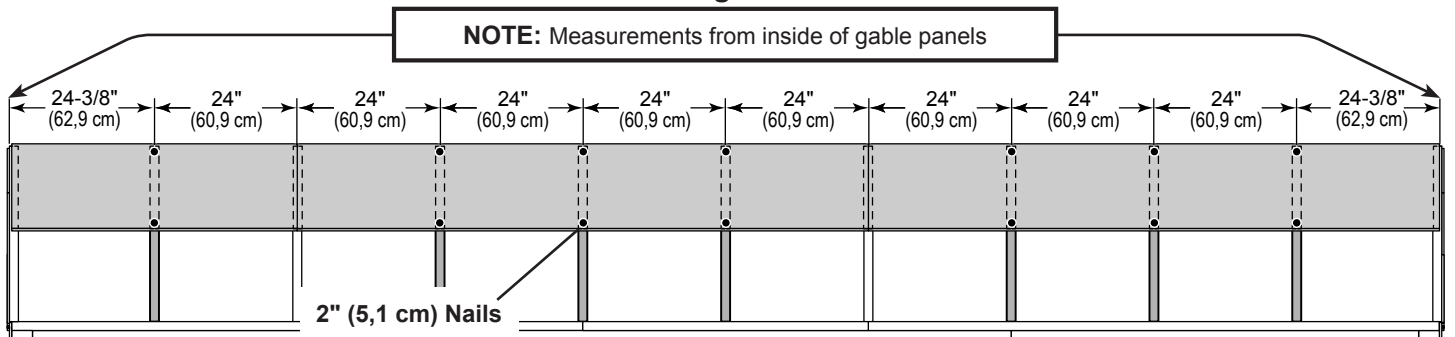
**4**  
Install a 47-7/8" x 48" roof panel flush to the installed panel and flush at the peak (**Fig. B**).  
Secure panel with (1) 2" nail in each corner.

Move gable end rafter edge until it is 1/2" from the roof panel (**Fig. C**).  
Finish securing panel with (1) 2" nail in each corner.

**5**  
Maintain spacing between the center of the rafters at the lower edge of the panels (**Fig. D**).  
Secure panels with (1) 2" nail into each rafter, as shown.  
Move to the top of the panel and keep spacing between the center of the rafters.  
Secure panels with (1) 2" nail into each rafter.

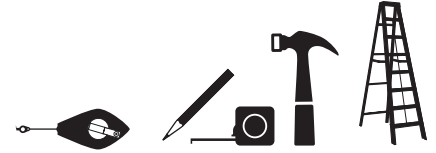
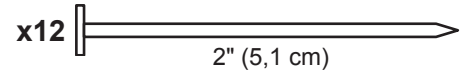


**Fig. D**

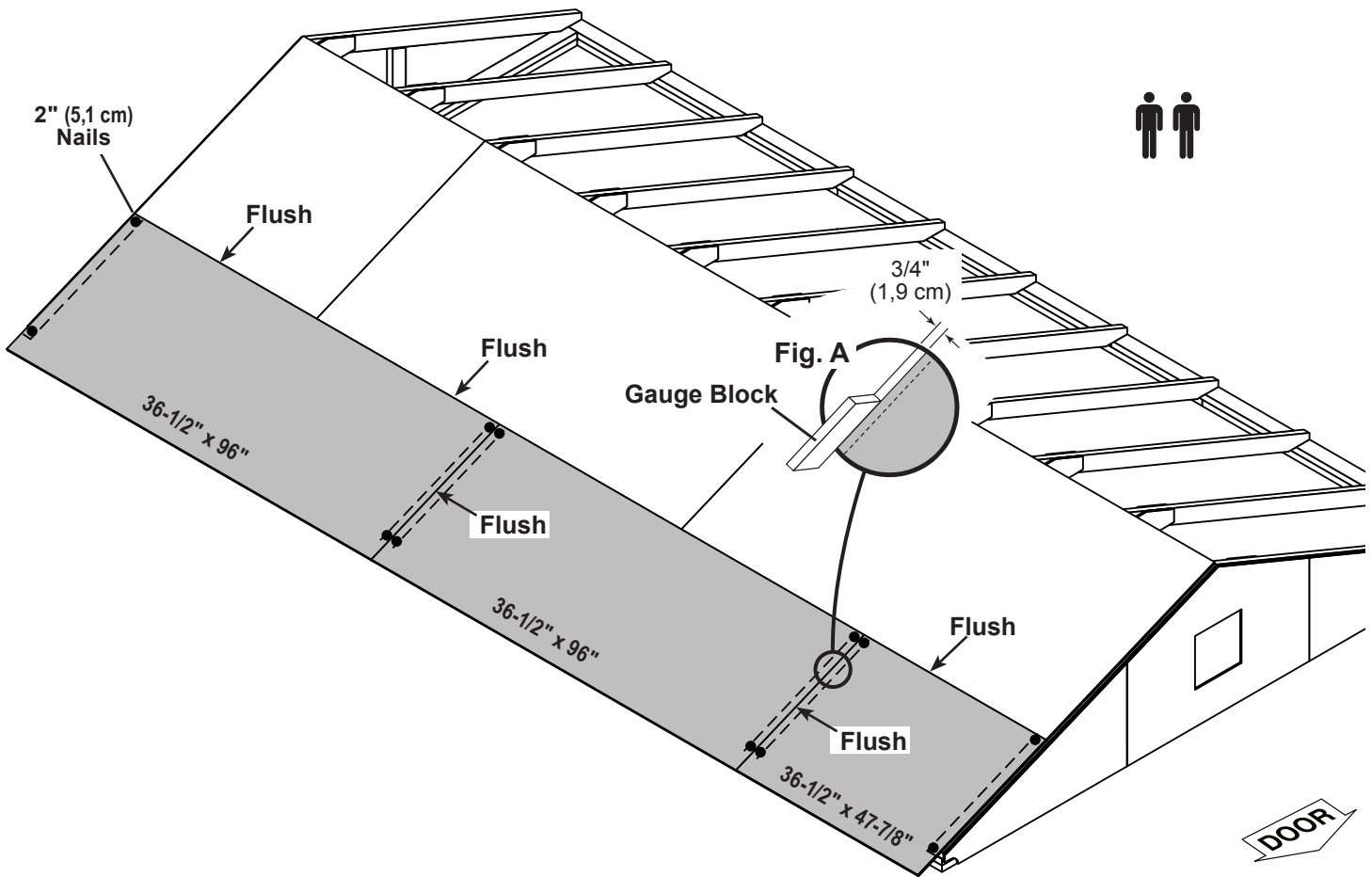


# 12' x 20' ROOF PANELS

## PARTS REQUIRED:



- 6** Next, install **36-1/2" x 96"** roof panel with a **3/4"** measurement on the rafter (**Fig A**).  
Secure panel with (1) 2" nail in each corner.



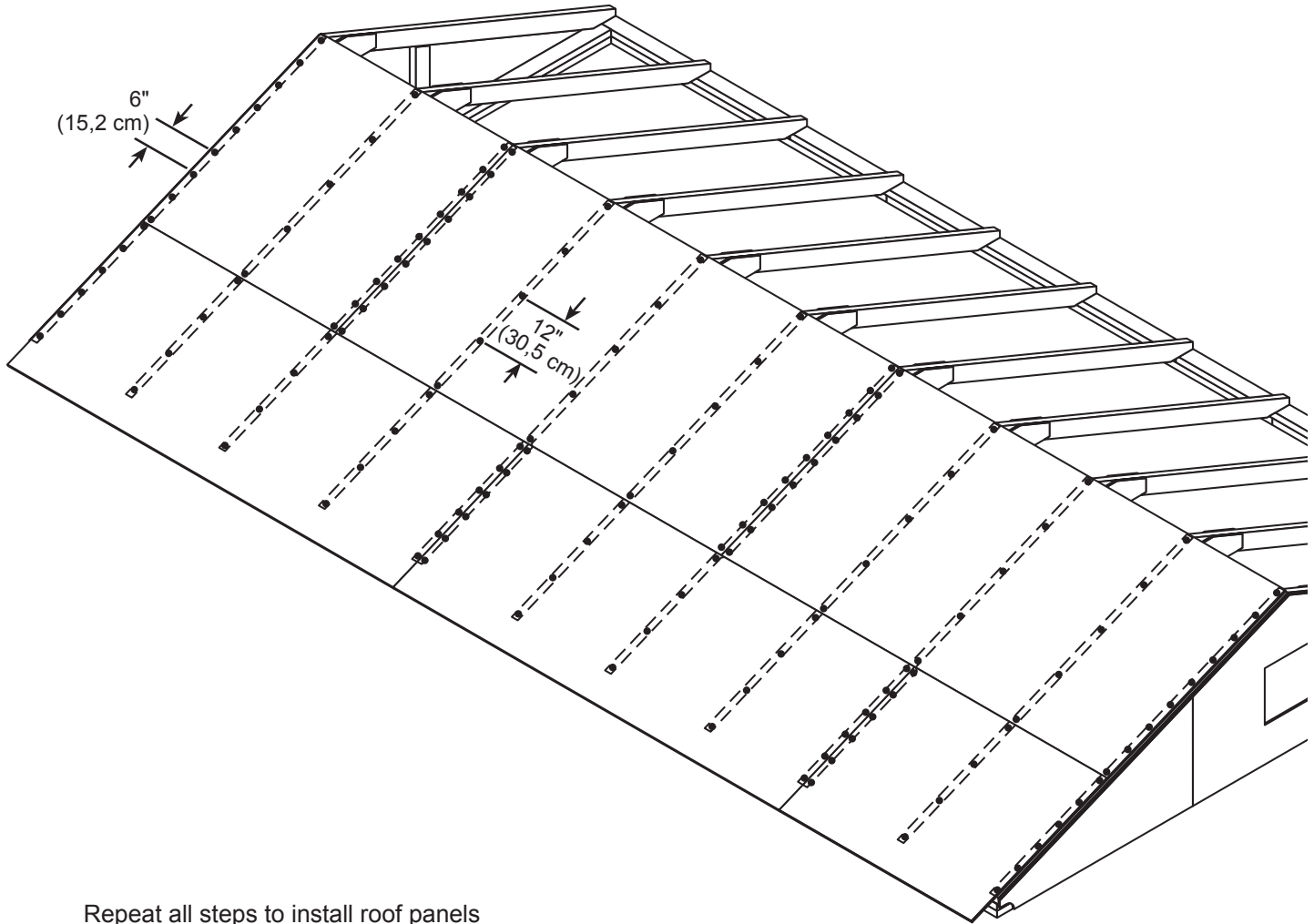
- 7** Install 2nd **36-1/2" x 96"** and **36-1/2" x 47-7/8"** roof panels flush to the installed panels.  
Secure panels with (1) 2" nail in each corner.

## 12' x 20' ROOF PANELS

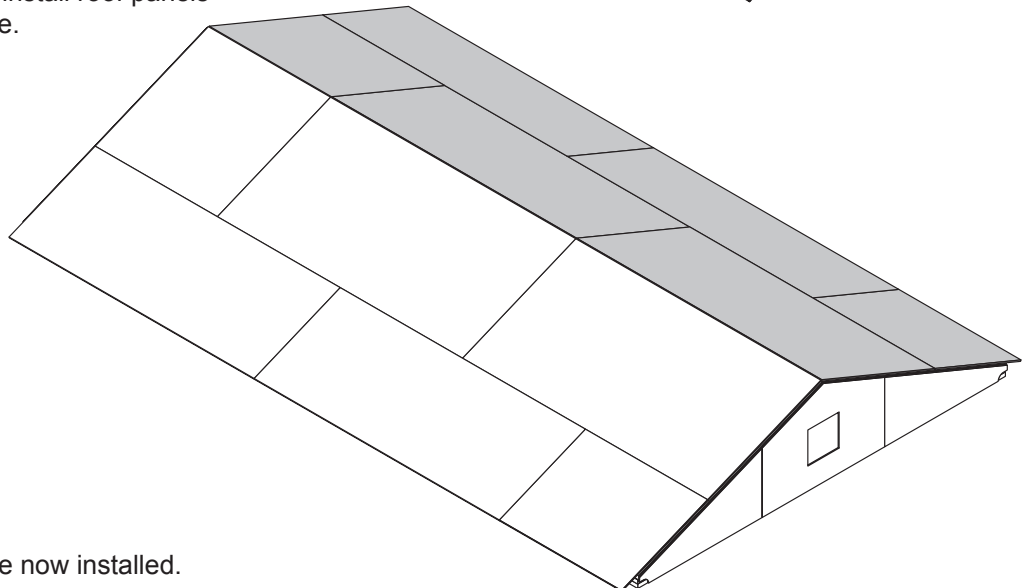
### PARTS REQUIRED:



- 8 Secure all roof panels with 2" nails spaced 6" apart and 12" apart inside panels.



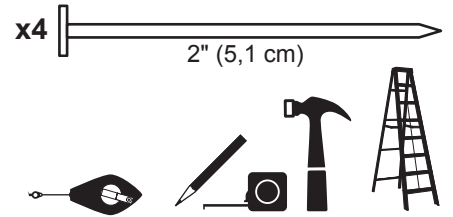
Repeat all steps to install roof panels on the opposite side.




Your roof panels are now installed.

# 12' x 24' ROOF PANELS

## PARTS REQUIRED:

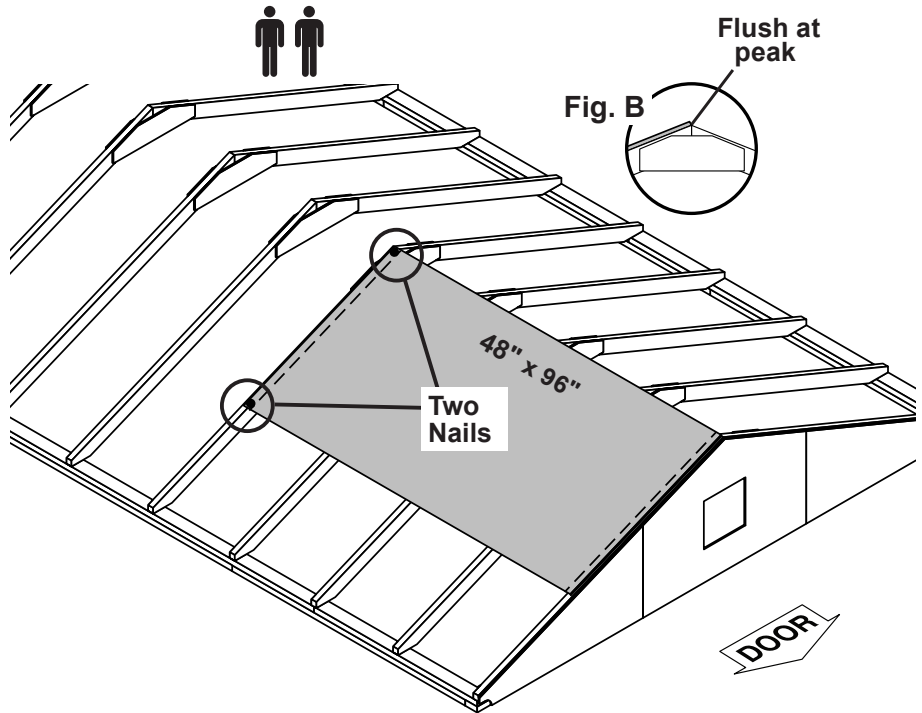
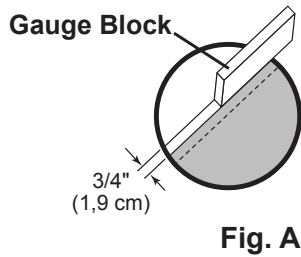


 **Roof panels may cause serious injury until securely fastened.**  
*Note: Install all roof panels with the rough side up (painted grid lines).*

✓ **BEGIN**  
**1**

Place the **48" x 96"** panel on rafters with a **3/4"** measurement on the rafter (**Fig A**) and the panel flush at the peak (**Fig. B**).

Secure panel with (1) 2" nail in each corner.

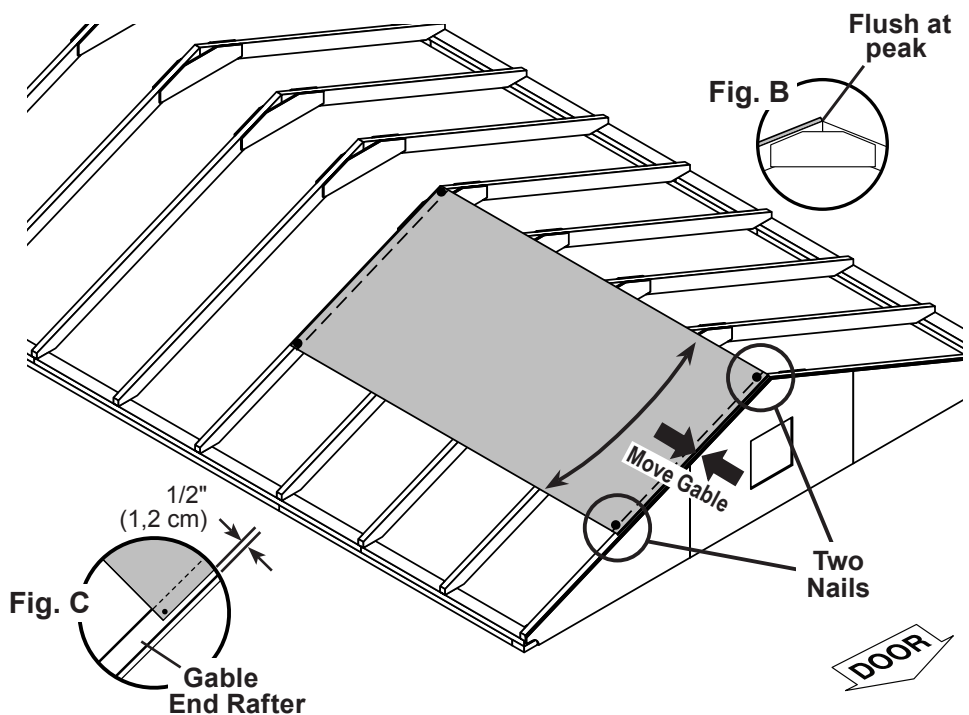


**2**

Move to the opposite end. Using the long edge of the panel as a lever, move the panel side-to-side until the top corner is flush to the peak (**Fig. B**).

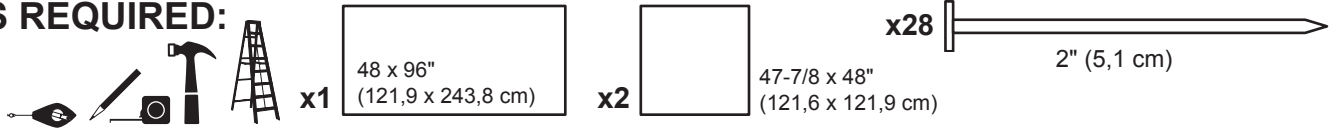
Move gable end rafter edge until it is 1/2" from the panel (**Fig. C**).

Secure panel with (1) 2" nail in each corner.



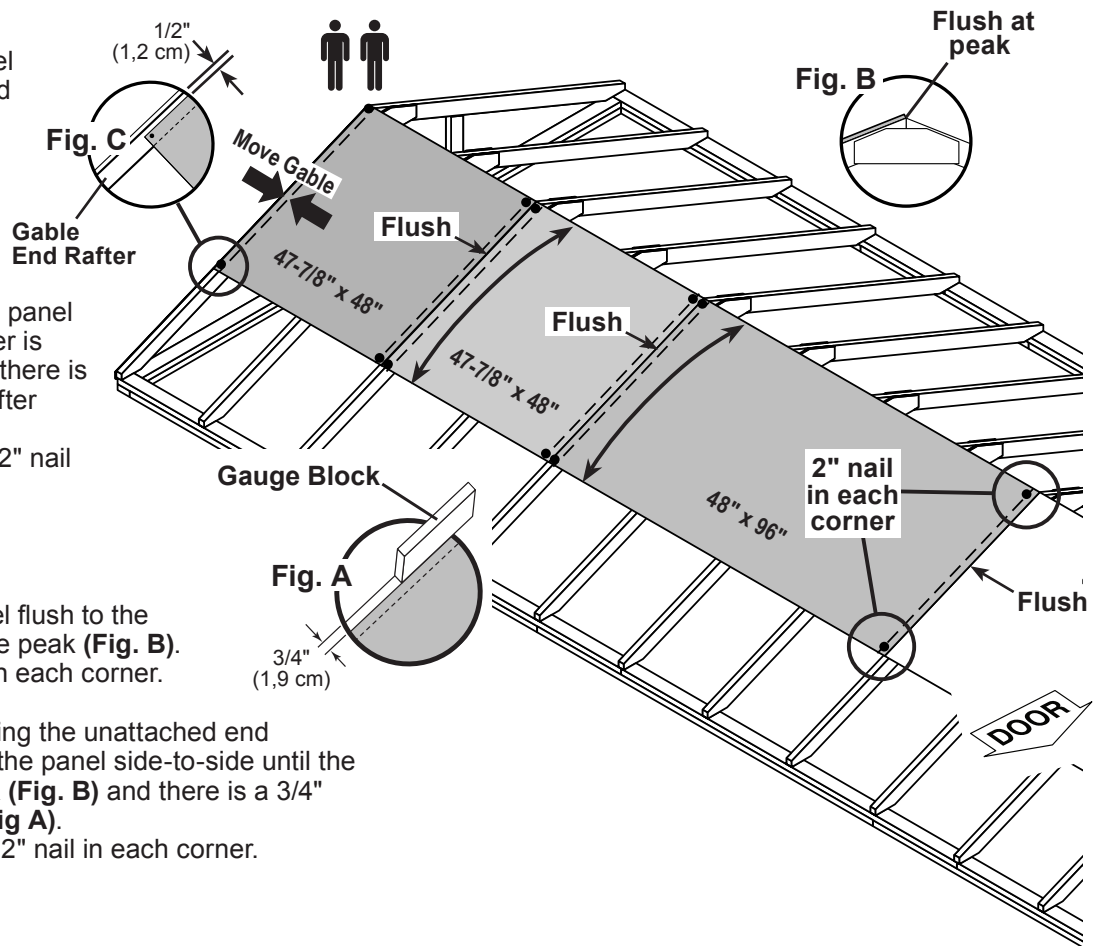
# 12' x 24' ROOF PANELS

## PARTS REQUIRED:



**3**  
Install 2nd 48" x 96" roof panel flush to the installed panel, and flush at the peak (Fig. B). Secure panel with (1) 2" nail in each corner.

Move to the opposite end. Using the unattached end of the panel as a lever, move the panel side-to-side until the top corner is flush to the peak (Fig. B) and there is a 3/4" measurement on the rafter (Fig A). Finish securing panel with (1) 2" nail in each corner.



**4**  
Install 47-7/8" x 48" roof panel flush to the installed panel and flush at the peak (Fig. B). Secure panel with (1) 2" nail in each corner.

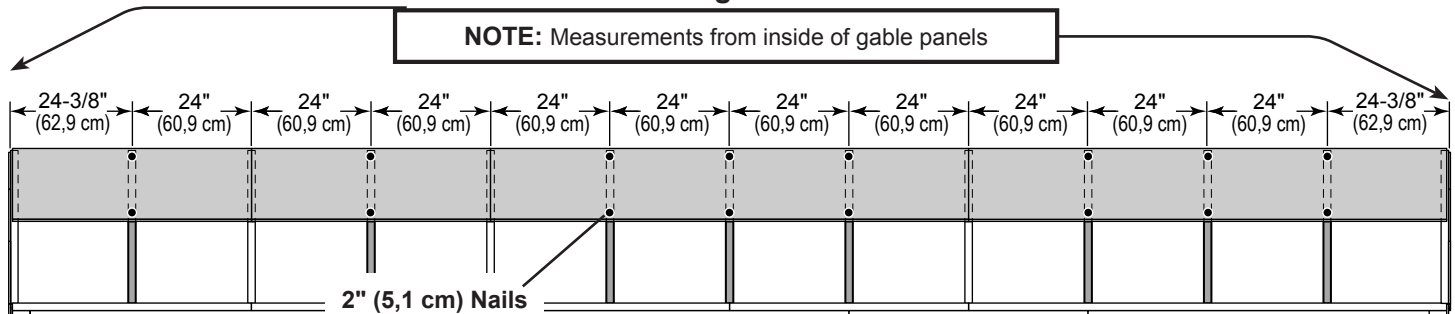
Move to the opposite end. Using the unattached end of the panel as a lever, move the panel side-to-side until the top corner is flush to the peak (Fig. B) and there is a 3/4" measurement on the rafter (Fig A). Finish securing panel with (1) 2" nail in each corner.

**5**  
Install 47-7/8" x 48" roof panel flush to the installed panel and flush at the peak (Fig. B). Secure panel with (1) 2" nail in each corner.

Move gable end rafter edge until it is 1/2" from the 2nd 48" x 48" roof panel (Fig. C). Finish securing panel with (1) 2" nail in each corner.

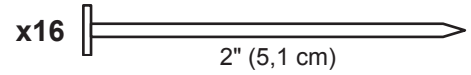
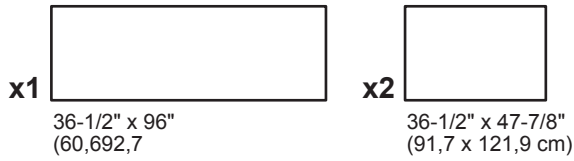
**6**  
Maintain spacing between the center of the rafters at the lower edge of the panels (Fig. D). Secure panels with (1) 2" nail into each rafter, as shown. Move to the top of the panel and keep spacing between the center of the rafters. Secure panels with (1) 2" nail into each rafter.

**Fig. D**



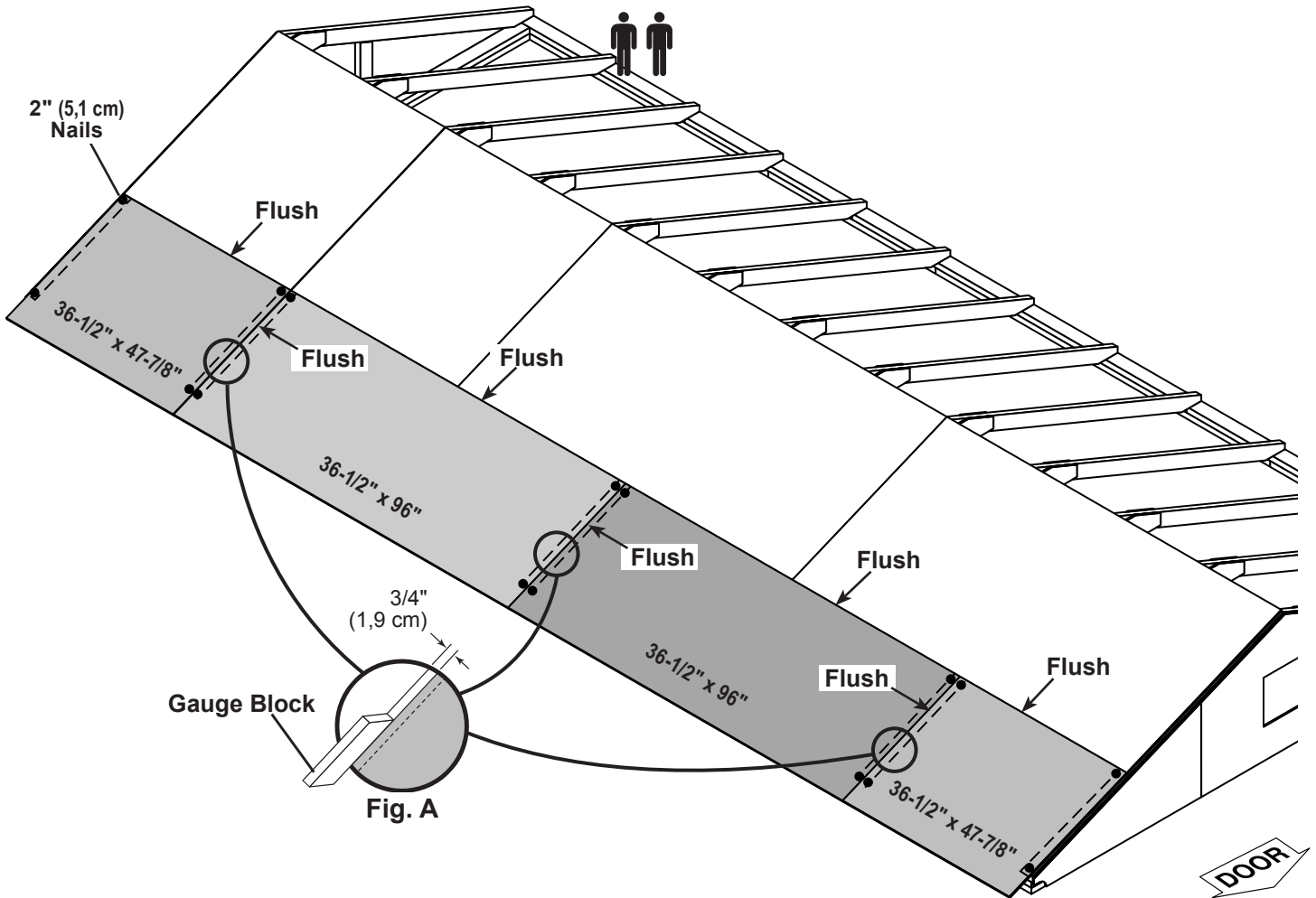
# 12' x 24' ROOF PANELS

## PARTS REQUIRED:



- 7** Install (1) **36-1/2" x 96"** roof panels with a 3/4" measurement on the rafter at each side (**Fig A**), and flush to the installed panels.

Secure panels with (1) 2" nail in each corner.



- 8** Install 2nd **36-1/2" x 96"** flush to the installed panels and with a 3/4" measurement on the rafter (**Fig A**). Secure panel with (1) 2" nail in each corner.

Install (2) **36-1/2" x 47-7/8"** roof panels flush to the installed panels..

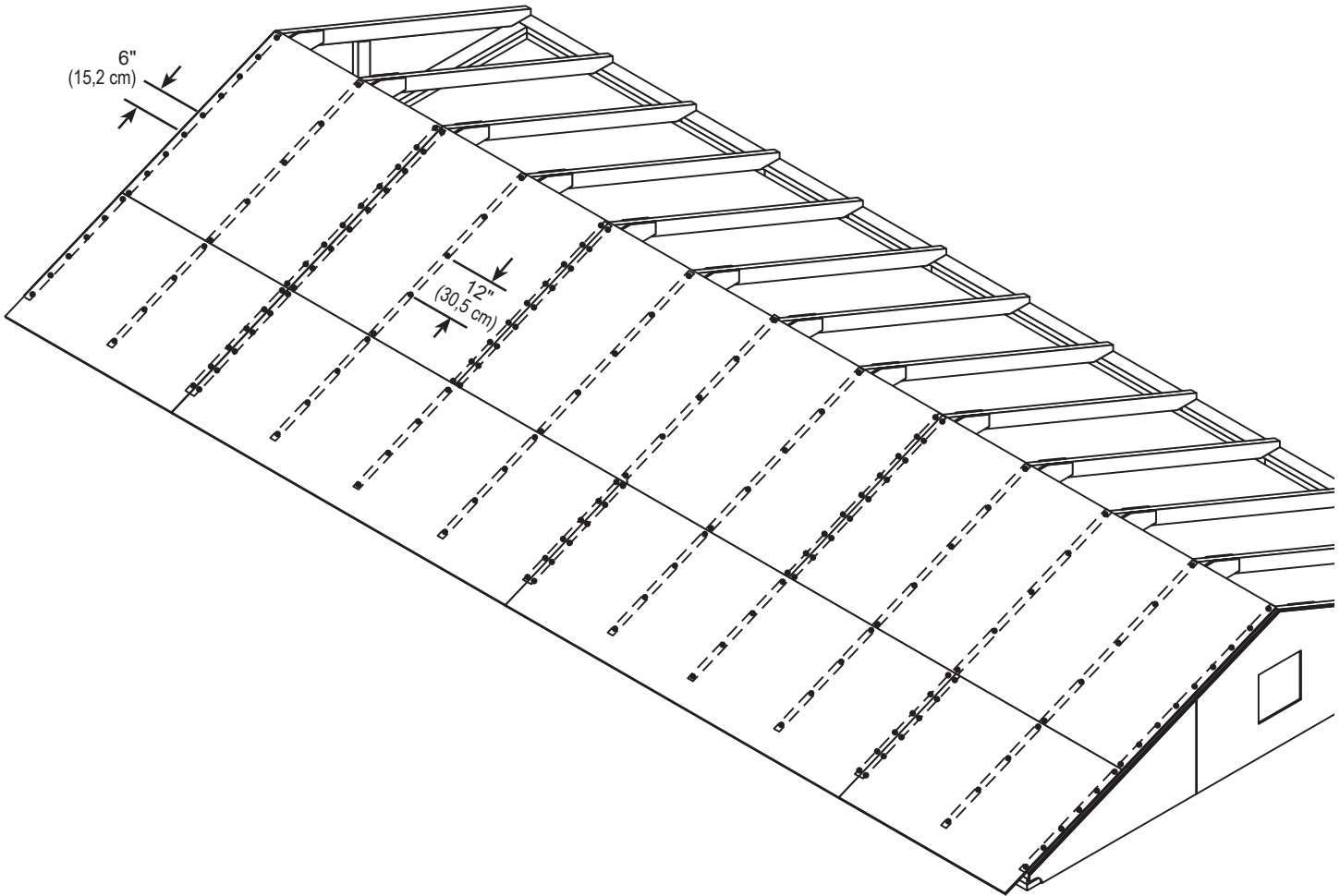
Secure panels with (1) 2" nail in each corner.

## 12' x 24' ROOF PANELS

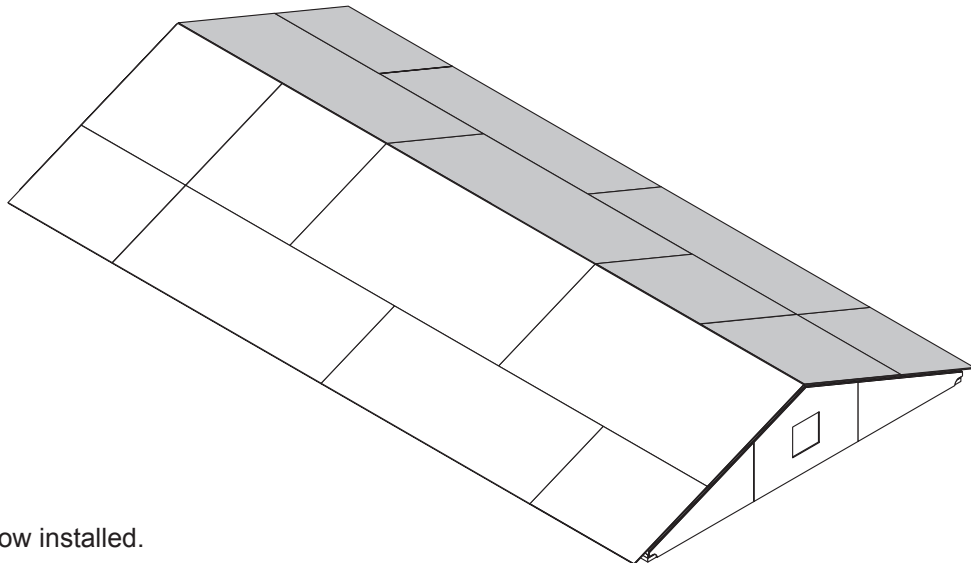
### PARTS REQUIRED:



- 9 Secure all roof panels with 2" nails spaced 6" apart and 12" apart inside panels.



Repeat all steps to install roof panels on the opposite side.

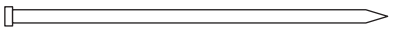


Your roof panels are now installed.

# GABLE TRIM

## PARTS REQUIRED:

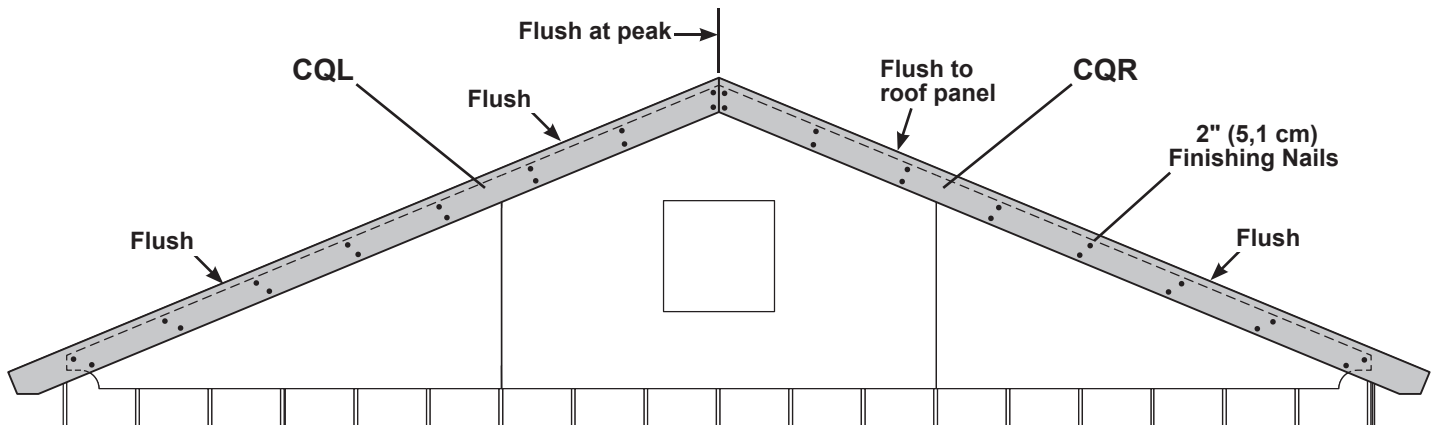
- x2 **CQR**  
19/32" x 3-1/2" x 84-15/16" (1,5 x 8,9 x 215,7 cm)
- x2 **CQL**  
19/32" x 3-1/2" x 84-15/16" (1,5 x 8,9 x 215,7 cm)

x64  2" (5,1 cm)



✓ **BEGIN**

- 1** Install gable trim **CQR** and **CQL** flush to top of roof panel and flush at peak, as shown.  
Secure trim with 2" finish nails spaced evenly.



Repeat steps to install trim to the opposite gable.



Your gable trim is now installed.



## 12' x 12' EAVE TRIM

### PARTS REQUIRED:

x2 **WTC**  
2 x 6 x 49-3/4" (5,1 x 15,2 x 126,4 cm)

x2 **VX**  
2 x 6 x 96" (5,1 x 15,2 x 243,8 cm)

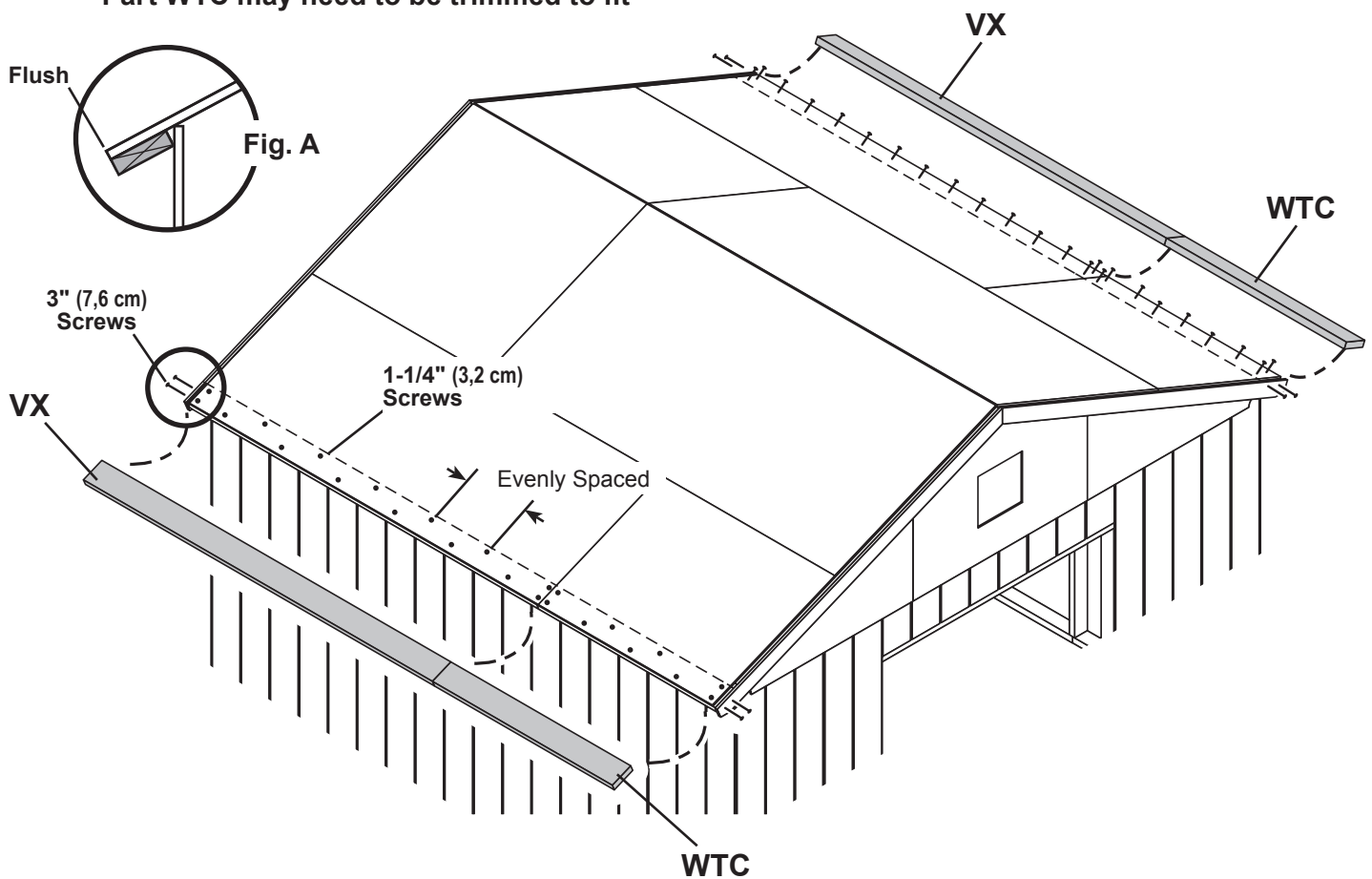
x8  x58   
3" (7,6 cm) 1-1/4" (3,2 cm)



### ✓ BEGIN

**1** Place **VX** eave trim flush along edge of roof panel (**Fig. A**).  
Screw through roof panel into trim with 1-1/4" screws spaced evenly in a staggered pattern.

**2** Install **WTC** flush to edge of roof panel and flush to installed eave trim **VX**.  
Screw through roof panel into trim with 1-1/4" screws spaced evenly in a staggered pattern.  
**\*\*Part WTC may need to be trimmed to fit\*\***



Repeat installation on opposite side.




Your eave trim is now installed.

## 12' x 16' EAVE TRIM

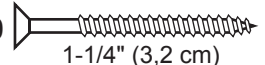
### PARTS REQUIRED:

x2 **VX**  
2 x 6 x 96" (5,1 x 15,2 x 243,8 cm)

x2 **WTC**  
2 x 6 x 49-3/4" (5,1 x 15,2 x 126,4 cm)

x8  3" (7,6 cm)

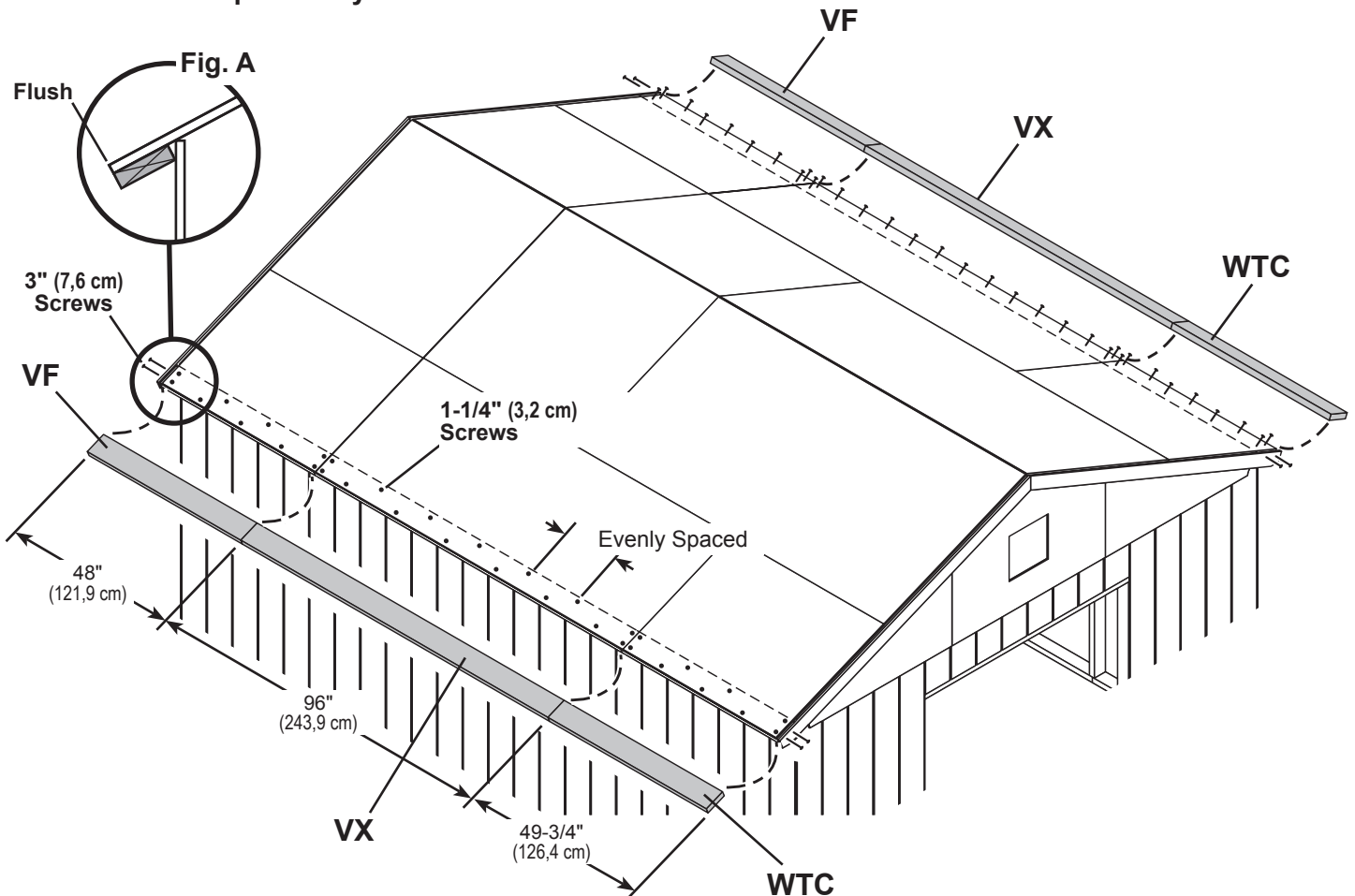
x2 **VF**  
2 x 6 x 48" (5,1 x 15,2 x 121,9 cm)

x70  1-1/4" (3,2 cm)



### ✓ BEGIN

- 1 Place **WTC** eave trim flush along edge of roof panel (**Fig. A**) and flush to gable trim. Screw through roof panel into trim with 1-1/4" screws spaced evenly in a staggered pattern.
  - 2 Install **VX** flush to edge of roof panel and flush to installed eave trim **WTC**. Screw through roof panel into trim with 1-1/4" screws spaced evenly in a staggered pattern.
  - 3 Install **VF** flush to edge of roof panel and flush to installed eave trim **VX**. Screw through roof panel into trim with 1-1/4" screws spaced evenly in a staggered pattern.
- \*\*Last trim piece may need to be trimmed to fit\*\***



Repeat installation on opposite side.



Your eave trim is now installed.

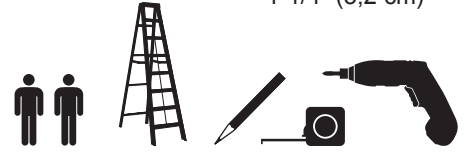
## 12' x 20' EAVE TRIM

### PARTS REQUIRED:

x2 **WTC**  
2 x 6 x 49-3/4" (5,1 x 15,2 x 126,4 cm)

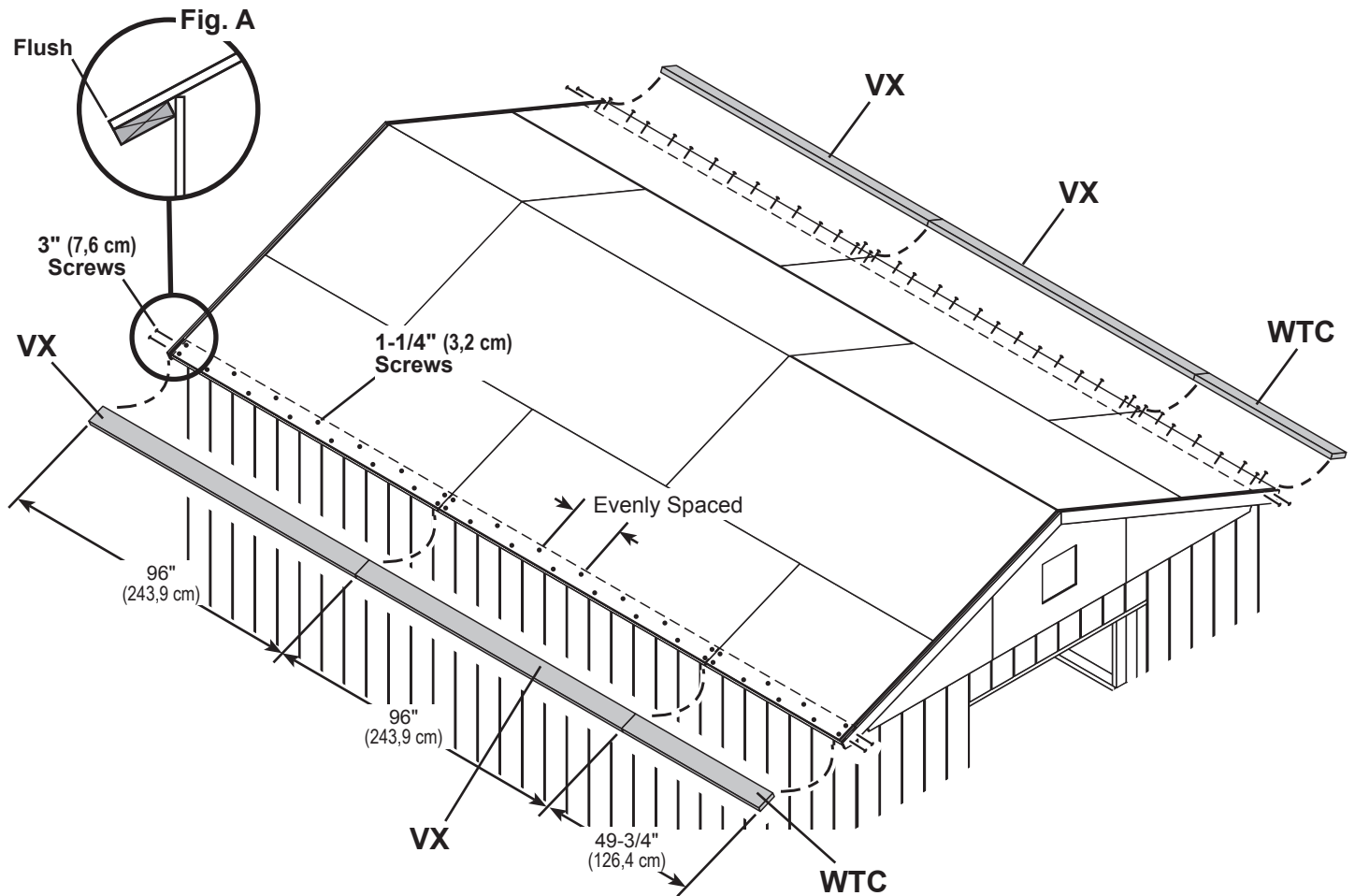
x2 **VX**  
2 x 6 x 96" (5,1 x 15,2 x 243,8 cm)

x8  3" (7,6 cm) x82  1-1/4" (3,2 cm)



### ✓ BEGIN

- 1** Place **WTC** eave trim flush along edge of roof panel (**Fig. A**) and flush to gable trim.  
Screw through roof panel into **WTC** with 1-1/4" screws spaced evenly in a staggered pattern.
- 2** Install **VX** flush to edge of roof panel and flush to installed eave trim **WTC**.  
Screw through roof panel into trim with 1-1/4" screws spaced evenly in a staggered pattern.
- 3** Install 2nd **VX** flush to edge of roof panel and flush to installed eave trim **VX**.  
Screw through roof panel into trim with 1-1/4" screws spaced evenly in a staggered pattern.  
**\*\*Last trim piece may need to be trimmed to fit\*\***



Repeat installation on opposite side.




Your eave trim is now installed.

# 12' x 24' EAVE TRIM

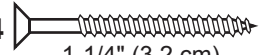
## PARTS REQUIRED:

x4 **VX**  
2 x 6 x 96" (5,1 x 15,2 x 243,8 cm)

x2 **WTC**  
2 x 6 x 49-3/4" (5,1 x 15,2 x 126,4 cm)

x8  3" (7,6 cm)

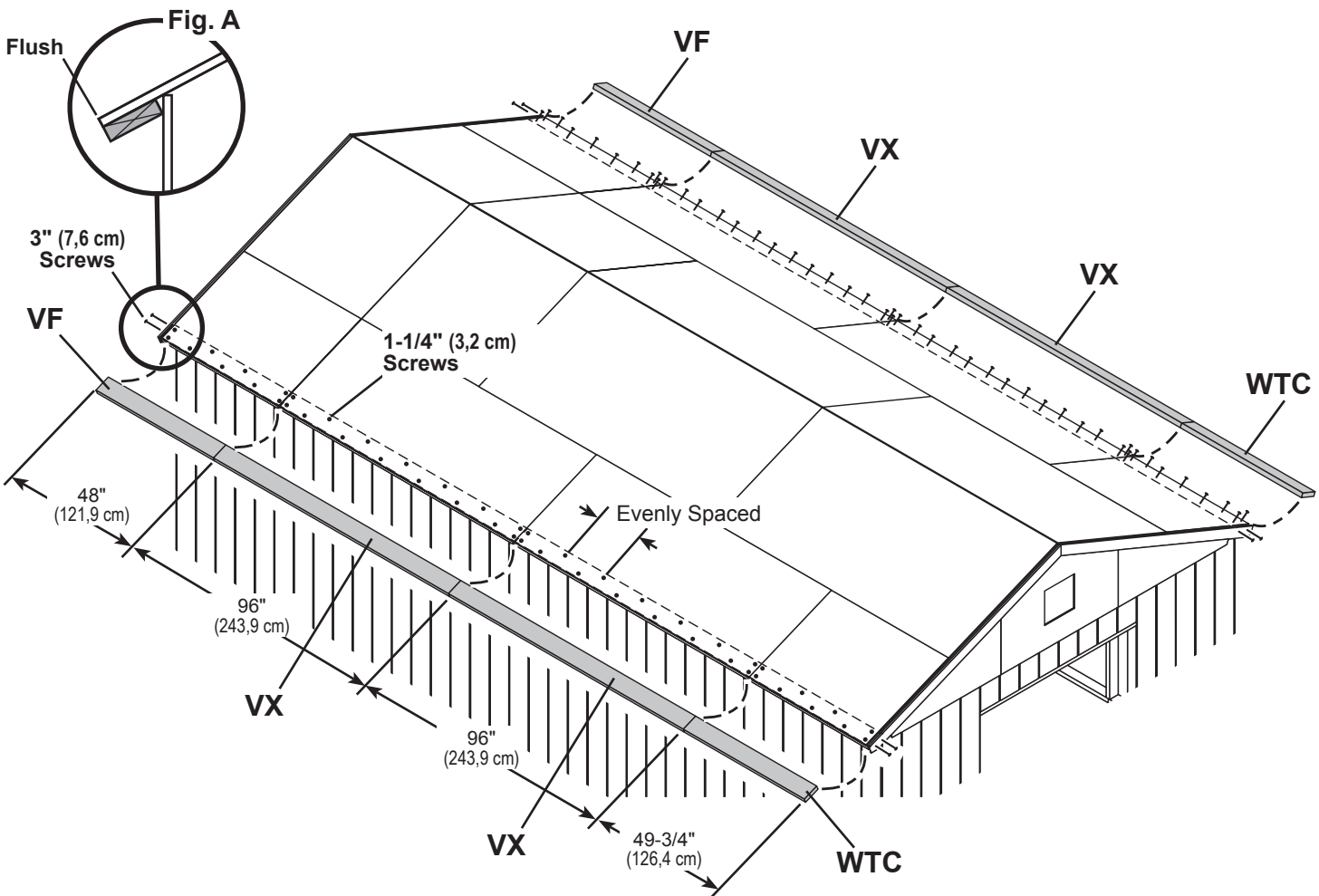
x2 **VF**  
2 x 6 x 48" (5,1 x 15,2 x 121,9 cm)

x94  1-1/4" (3,2 cm)



### ✓ BEGIN

- 1 Place **WTC** eave trim flush along edge of roof panel (**Fig. A**) and flush to gable trim.  
Screw through roof panel into trim with 1-1/4" screws spaced evenly in a staggered pattern.
- 2 Install **VX** flush to edge of roof panel and flush to installed eave trim **WTC**.  
Screw through roof panel into trim with 1-1/4" screws spaced evenly in a staggered pattern.
- 3 Install 2nd **VX** flush to edge of roof panel and flush to installed eave trim **VX**.  
Screw through roof panel into trim with 1-1/4" screws spaced evenly in a staggered pattern.
- 4 Install **VF** flush to edge of roof panel and flush to installed eave trim **VX**.  
Screw through roof panel into trim with 1-1/4" screws spaced evenly in a staggered pattern.  
**\*\*Last trim piece may need to be trimmed to fit\*\***




Repeat installation on opposite side.

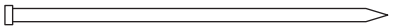


Your eave trim is now installed.

# CORNER TRIM

## PARTS REQUIRED:

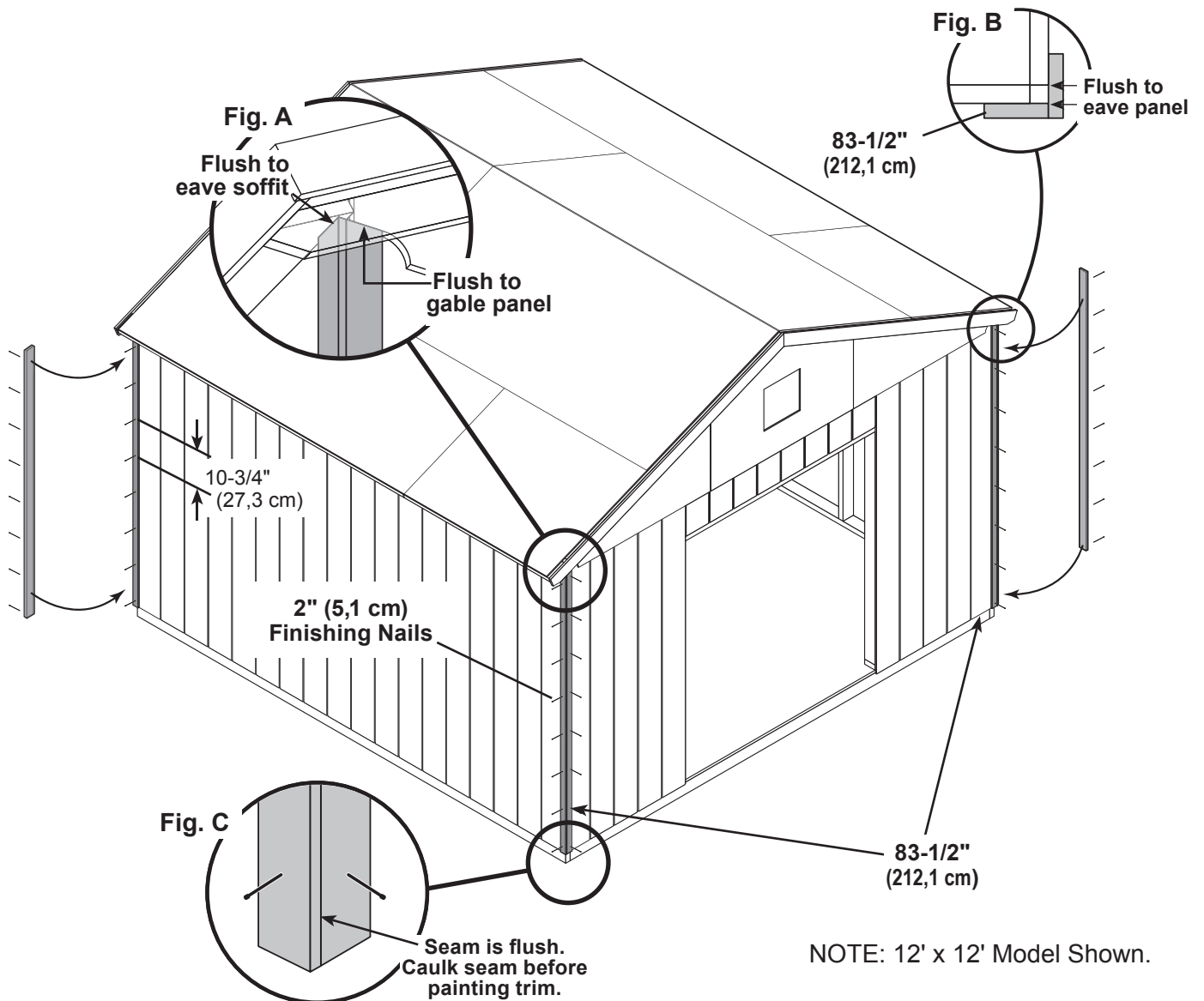
x8   
 3/8" x 1-3/4" x 83-1/2" (1 x 4,5 x 212,1cm)

x64   
 2" (5,1 cm)



### ✓ BEGIN

- 1 Install gable end 83-1/2" corner trim under gable panel, (Fig. A) and flush to eave wall panel (Fig. B). Secure with 2" finishing nails spaced evenly.
- 2 Install eave side 83-1/2" corner trim flush to eave soffit and flush along seam of installed corner trim (Fig. C). Secure with 2" finishing nails spaced evenly.



NOTE: 12' x 12' Model Shown.

Repeat steps for each corner of shed.

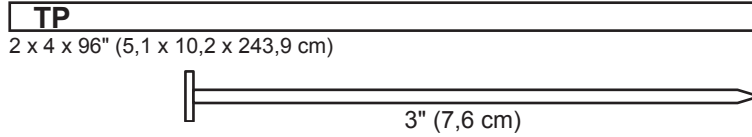


Your corner trim is now installed.

# COLLAR TIE INSTALLATION

12x12' 12x16' 12x20' 12x24'

## PARTS REQUIRED:



x1	x2	x3	x4
x6	x12	x18	x24

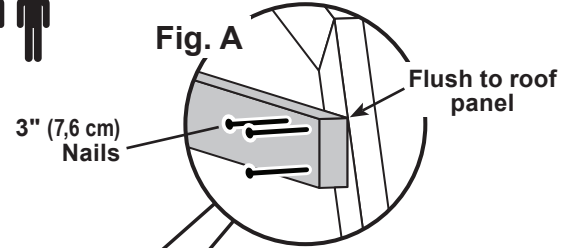
### ✓ BEGIN



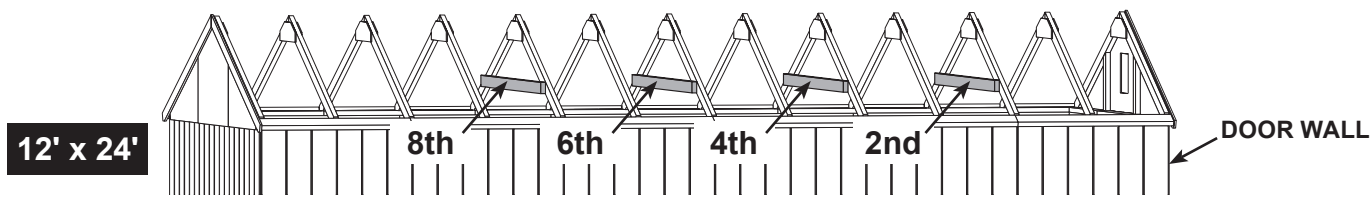
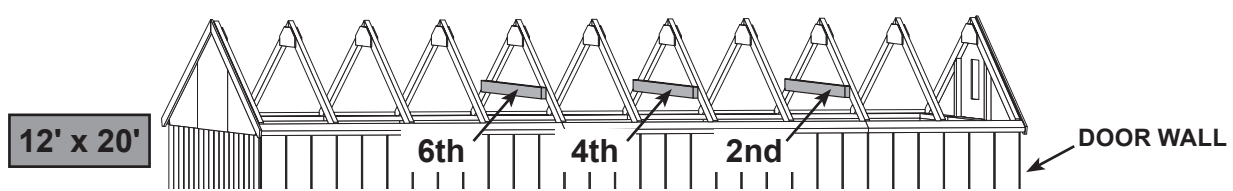
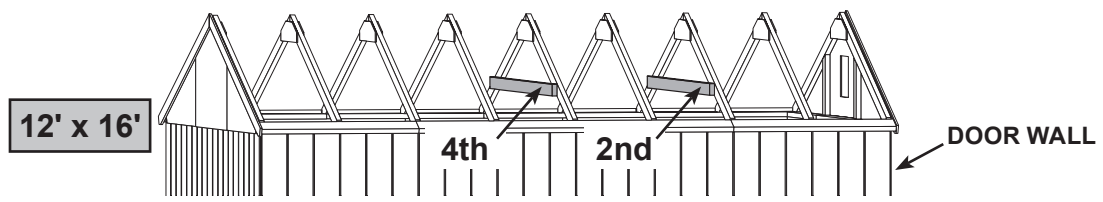
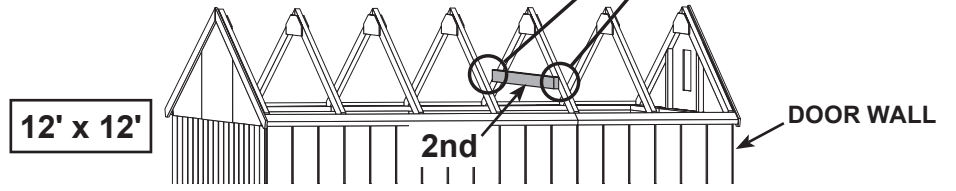
- 1 Install collar tie to the rafter with (3) 3" nails at each end (Fig. A).

Starting at the wall with the door, install first collar tie on the 2nd rafter from the wall and then on **every other** rafter, as shown.

Fig. A



**HINT:**  
For best appearance, install collar ties on back side of rafter.



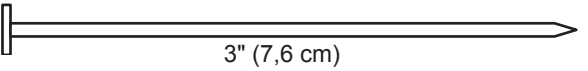
**FINISH**  
Your collar tie(s) are now installed.

# LOFT JOISTS

## PARTS REQUIRED:

x2 **SP**  
2 x 4 x 48" (5,1 x 10,2 x 121,9 cm)

x2 **TP**  
2 x 4 x 96" (5,1 x 10,2 x 243,8 cm)

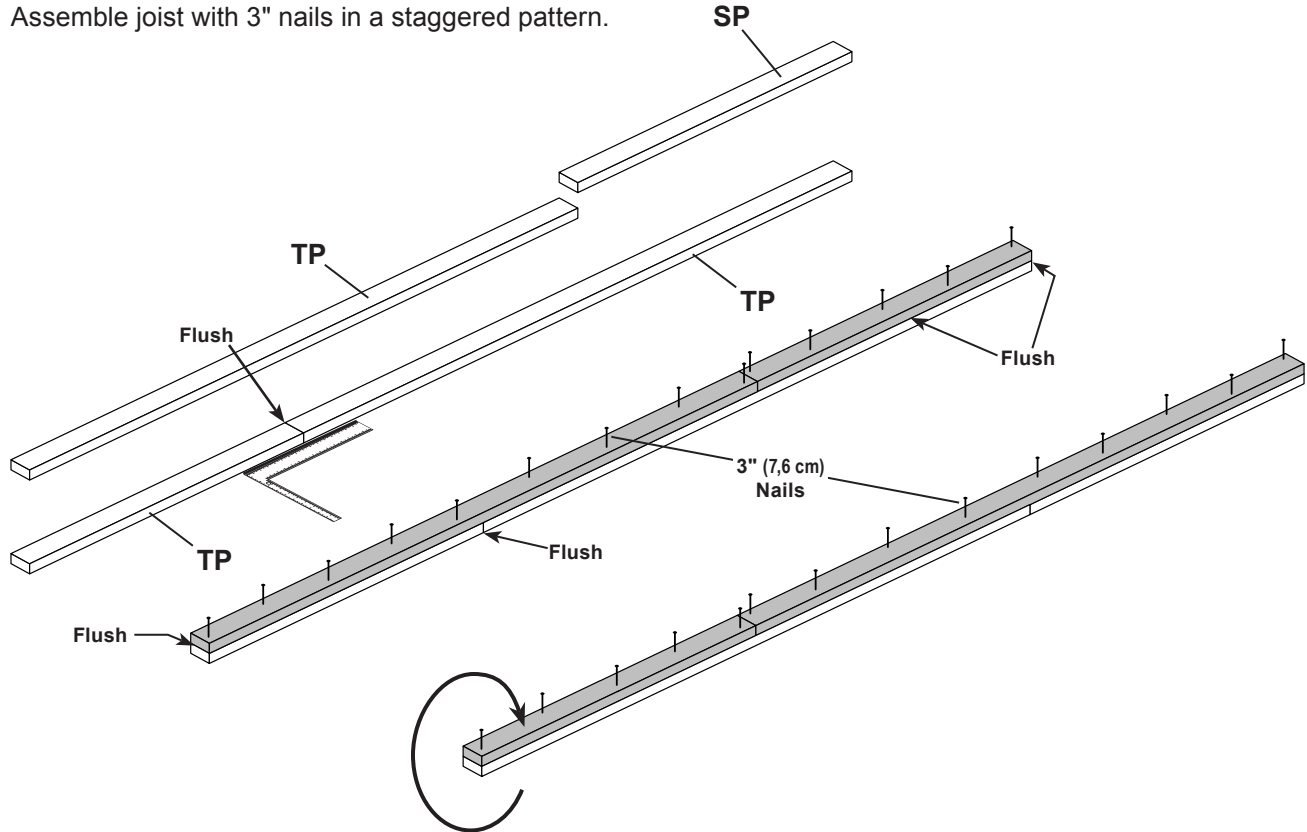
x28  3" (7,6 cm)



### ✓ BEGIN

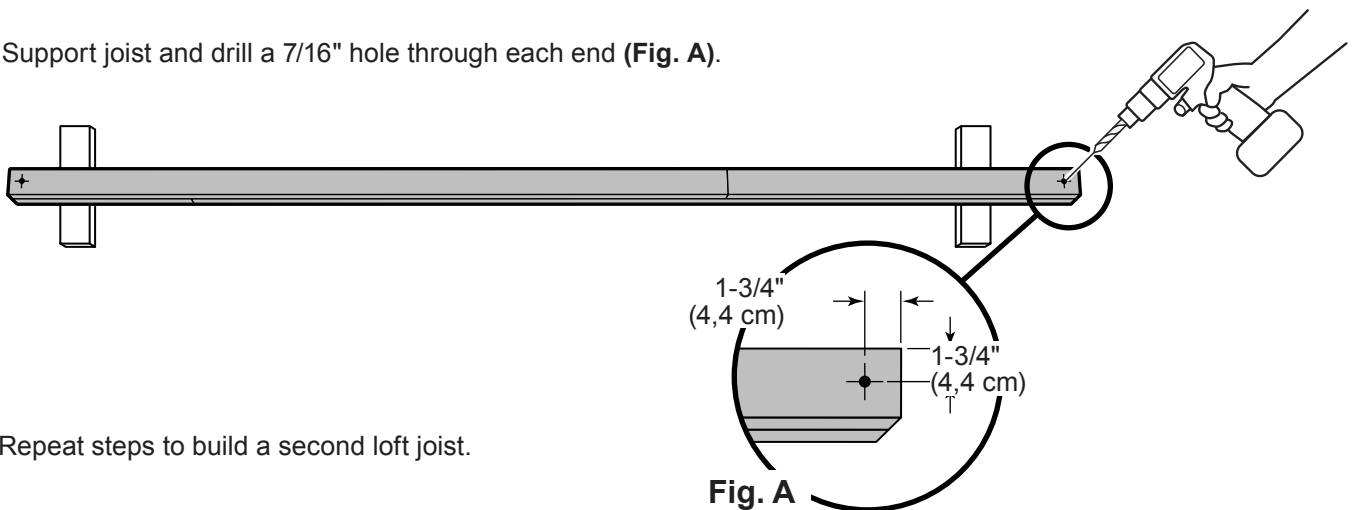
- 1 Orient parts **TP** and **SP** on a flat surface. Hold parts **TP** and **SP** flush and aligned.

Assemble joist with 3" nails in a staggered pattern.



- 2 Turn assembled joist over and repeat staggered nail pattern.

- 3 Support joist and drill a 7/16" hole through each end (Fig. A).



Repeat steps to build a second loft joist.

# LOFT JOIST INSTALLATION

## PARTS REQUIRED:

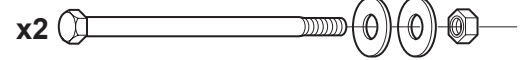
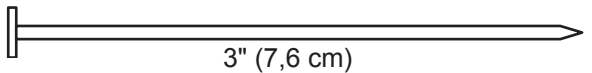
x1 **NK**  
2 x 3 x 48" (5,1 x 7,6 x 121,9 cm)

x1 **PT**  
2 x 3 x 96" (5,1 x 7,6 x 243,8 cm)

x1 **LOFT JOIST ASSEMBLY**



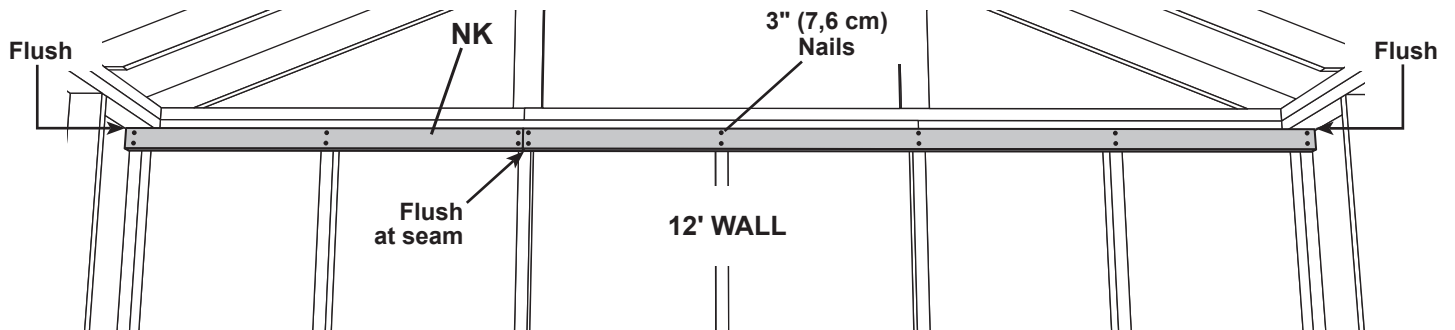
x16



5-1/2" (14 cm) Hex bolt,  
2 washers and locknut

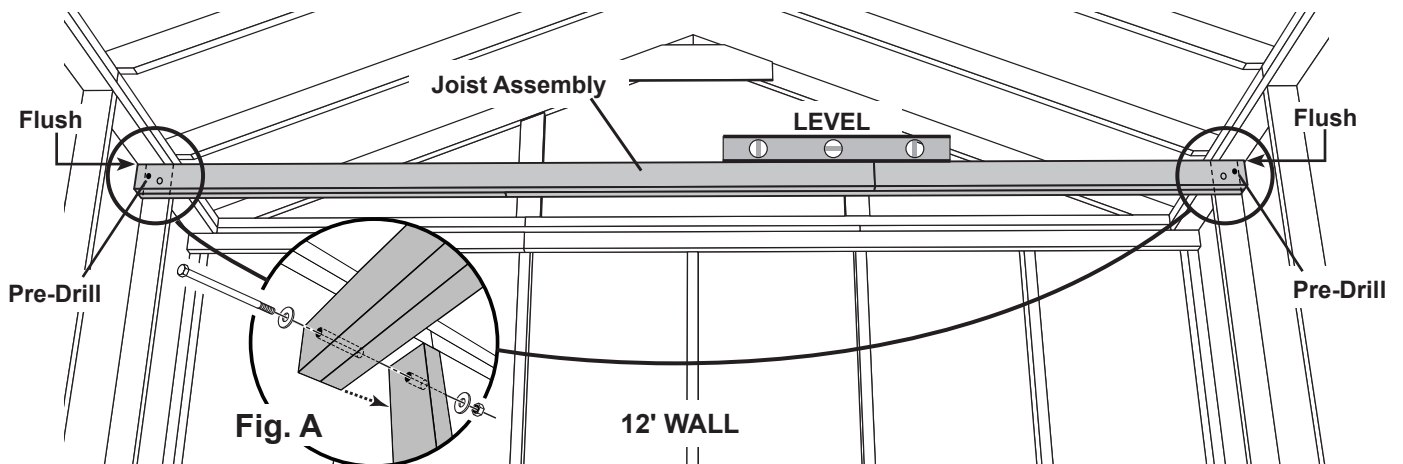
### ✓ BEGIN

- 1 Install **NK** and **PT** flush to bottom of top plate and flush at seam.  
Secure with (2) 3" nails at wall studs and (4) 3" nails at seam.



- 2 Clamp or hold joist assembly in place flush to top plate and flush against wall stud.  
Drill through wall stud with 7/16" drill bit using hole in joist assembly as a guide.

- 3 Line up holes of joist assembly with holes in studs.  
Secure joist with hex bolts, flat washers and lock nuts at both sides (**Fig. A**).



Your loft supports are now installed.



## LOFT PANELS

### PARTS REQUIRED:

x1

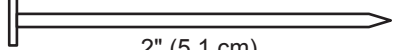


23-7/8" x 40-7/8" (60,6 x 103,8 cm)

x1



23-7/8" x 96" (60,6 x 244 cm)

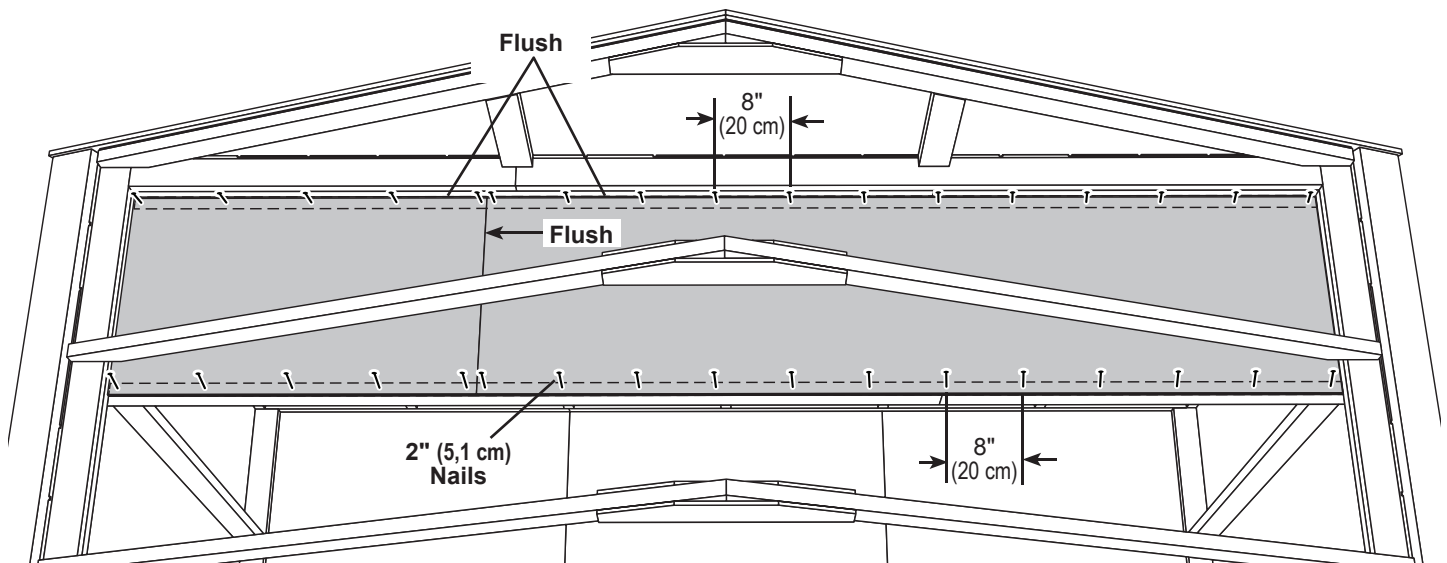
x34  2" (5,1 cm)



 **BEGIN**

- 1** Install loft panels centered over loft joists and ledger board. Secure with 2" nails spaced 8" (20 cm) apart.

**NOTE:** There will be a gap of approximately 1/2" (13 mm) on either side of installed deck panels.





 **FINISH**

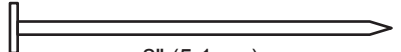
Your loft panels are now installed.

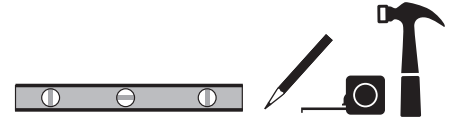
# SHELF ASSEMBLY AND INSTALLATION

## PARTS REQUIRED:

x14   
 3/8 x 8 x 12-1/2" (1 x 20,3 x 31,8 cm)

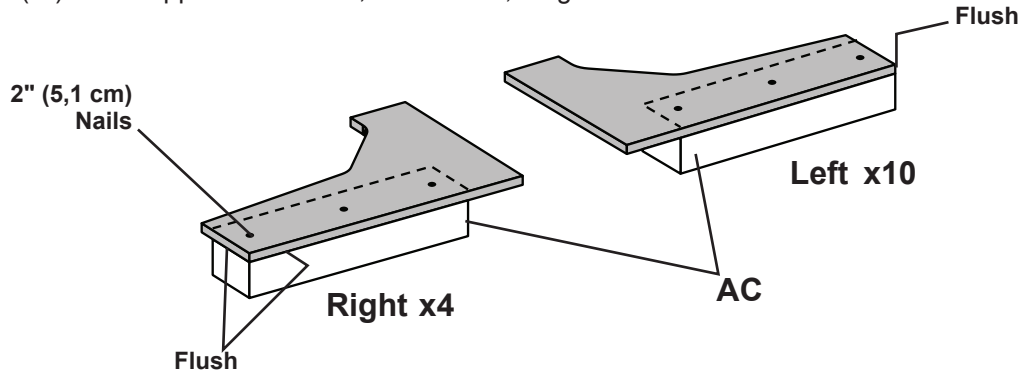
x14 **AC**   
 2 x 3 x 10" (5,1 x 7,6 x 25,4 cm)

x84   
 2" (5,1 cm)

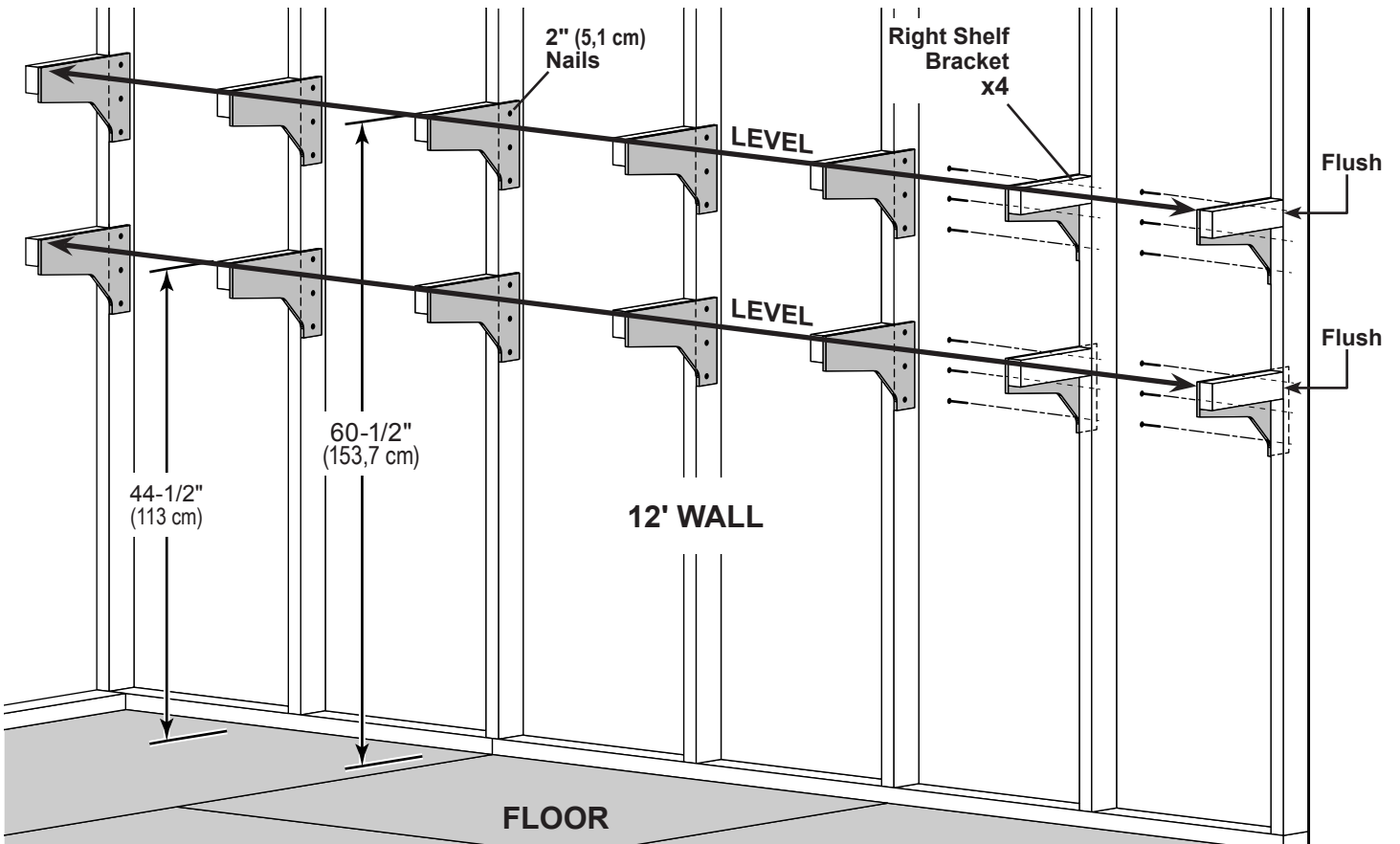


### ✓ BEGIN

- Secure **AC** to shelf panels with (3) 2" nails.  
 Assemble (14) shelf supports as shown; 10 left-side, 4 right-side.



- Install shelf supports at shown heights from floor and flush to wall studs of wall opposite door.  
 Secure with (3) 2" nails.



# SHELF INSTALLATION

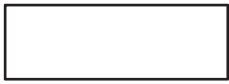
## PARTS REQUIRED:

x2



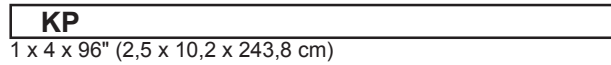
7/16 x 11-7/8 x 96" OSB  
(1,1 x 30,2 x 243,8 cm)

x2



7/16 x 11-7/8 x 48"  
(1,1 x 30,2 x 121,9 cm)

x2 **KP**



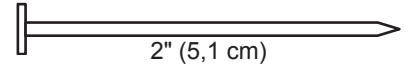
1 x 4 x 96" (2,5 x 10,2 x 243,8 cm)

x2 **WJ**

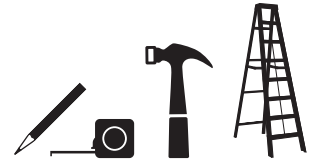


1 x 4 x 48" (2,5 x 10,2 x 121,9 cm)

x64

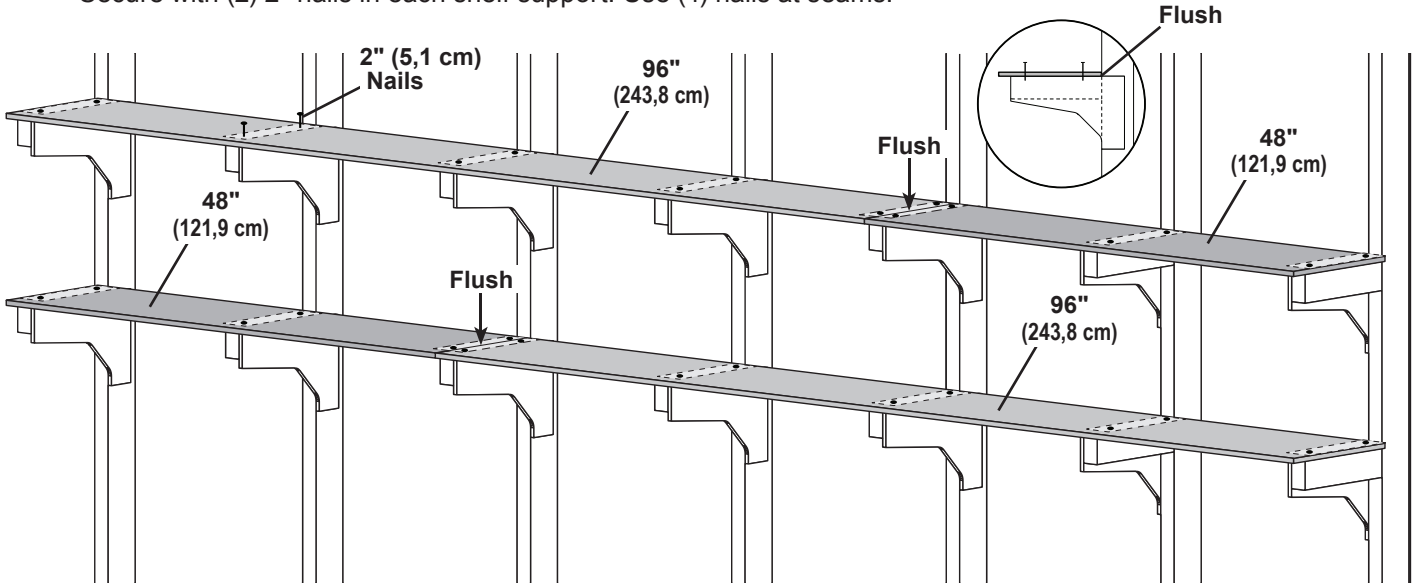


2" (5,1 cm)



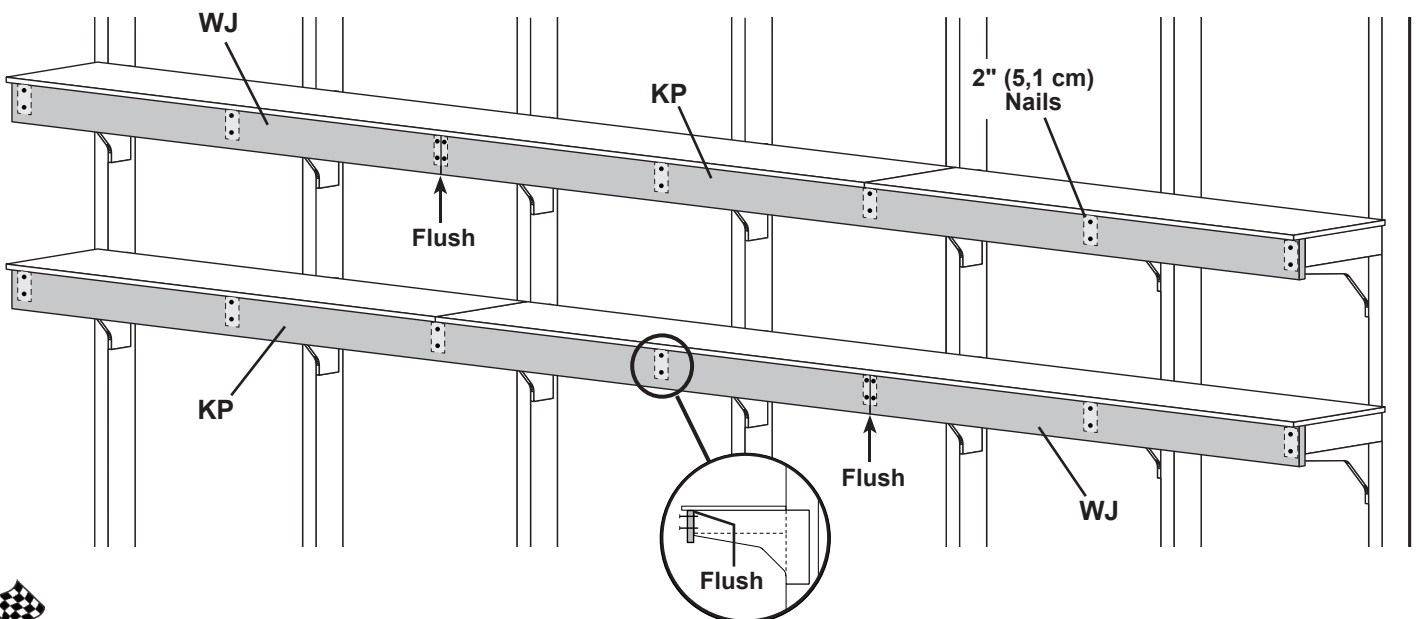
**3** Install shelf panels centered over shelf supports, flush to wall studs and flush at seams.

Secure with (2) 2" nails in each shelf support. Use (4) nails at seams.



**4** Install fascia **WJ** and **KP** flush to bottom of shelf panels and flush at seams.

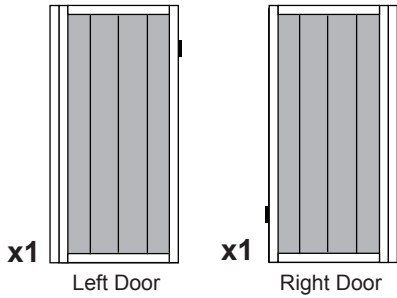
Secure with (2) 2" nails at each support and (4) 2" nails at seams.



Your shelves are now installed.

# DOORS

## PARTS REQUIRED:

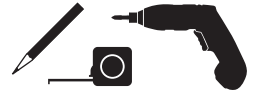


x1 **GAA**  
1 x 3 x 5" (2,5 x 7,6 x 12,7 cm)

x1 **OO**  
69" (175,3 cm) Door Stiffener

x4 3" (7,6 cm)

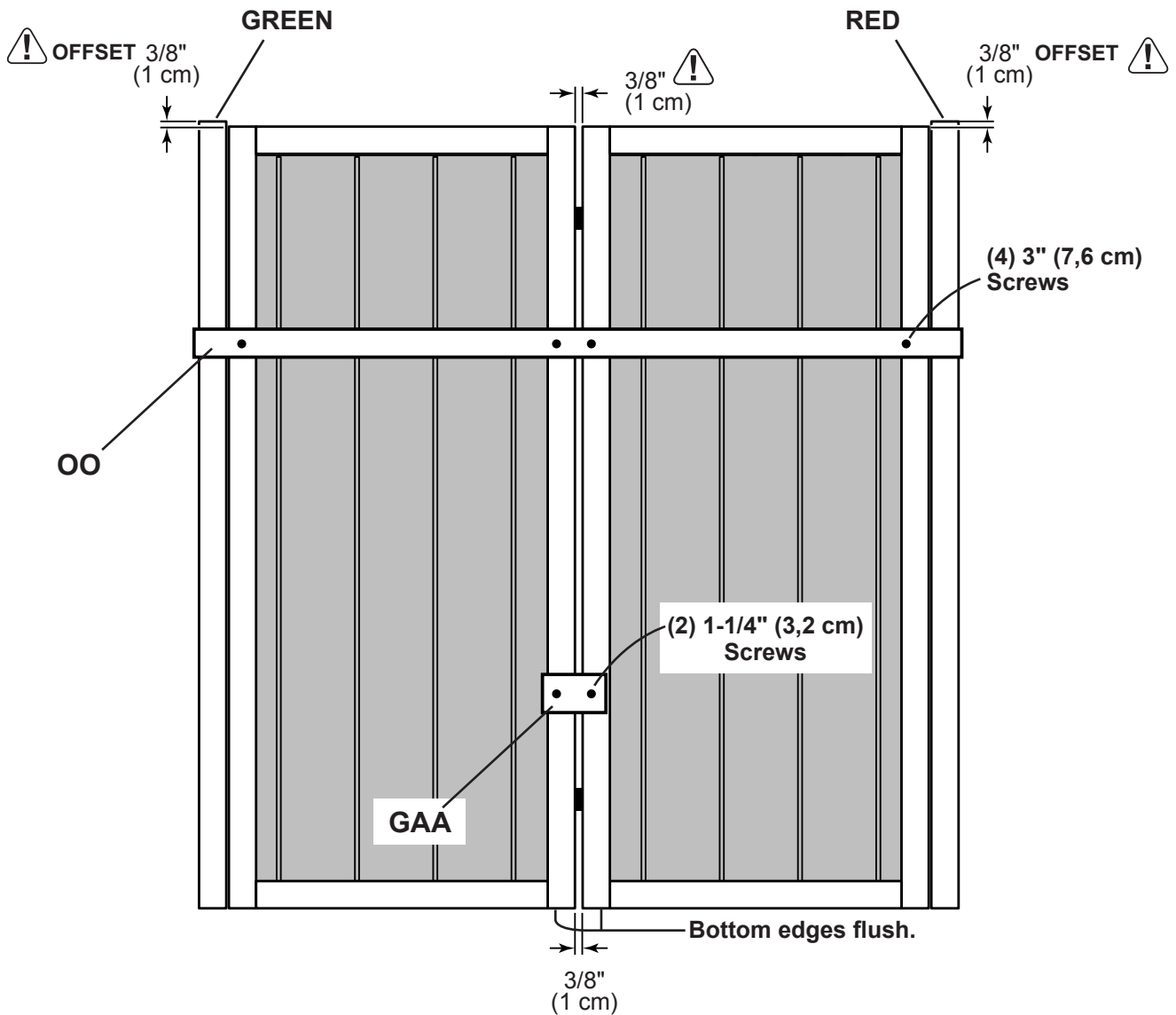
x2 1-1/4" (3,2 cm)



### ✓ BEGIN

- 1 Place doors on flat surface. **3/8" offset is to top.**  
Look for red (right) and green (left) on hinge board.


Attach temporary supports **OO** and **GAA** as shown.

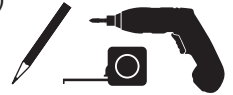


# DOORS

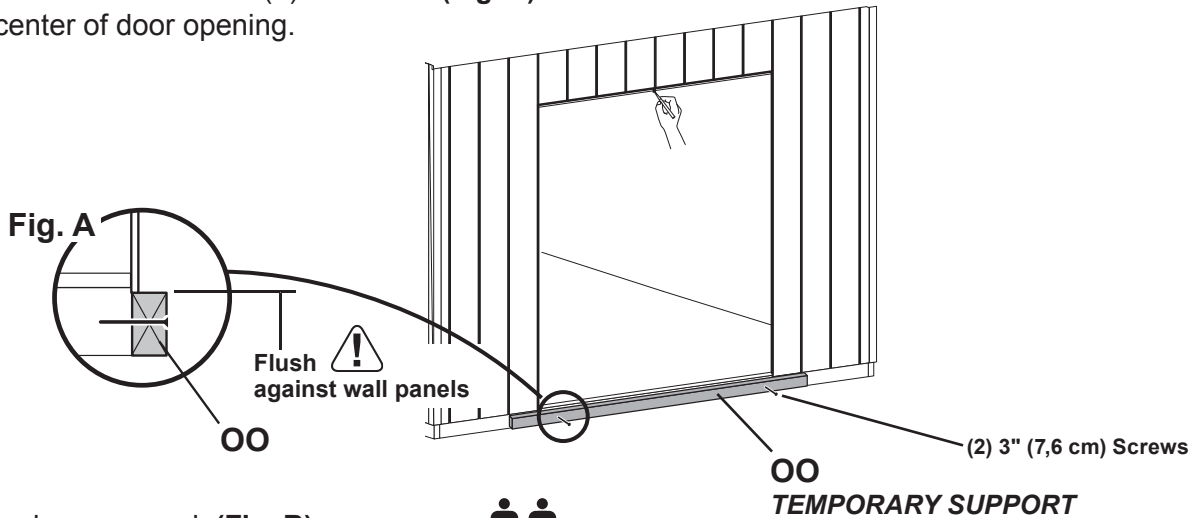
## PARTS REQUIRED:


x1 **OO** *TEMPORARY SUPPORT*  
69" (175,3 cm) Door Stiffener

x12  3" (7,6 cm)

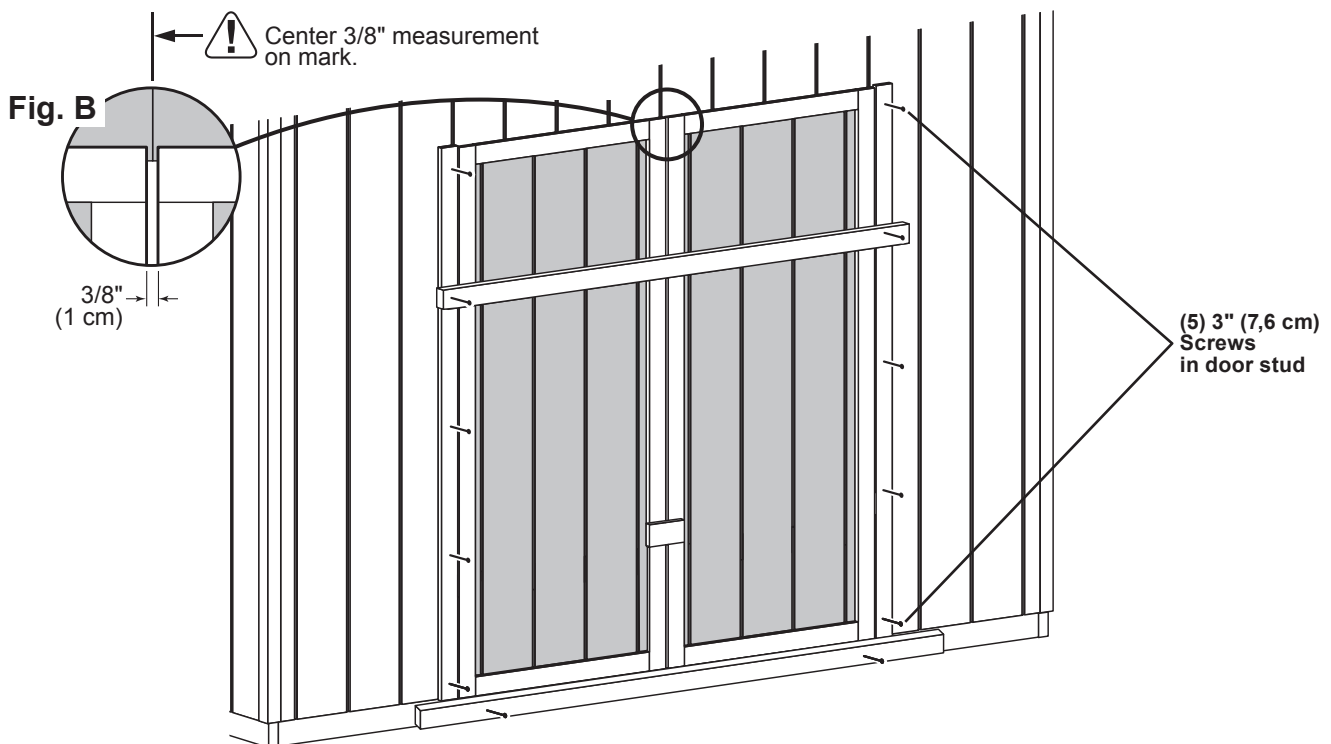


- 2 Install **OO** flush under panels.  
Secure to floor frame with (2) 3" screws (**Fig. A**).  
Mark center of door opening.



- 3 Center doors on mark (**Fig. B**). 

- 4 Screw hinge boards into wall supports with (10) 3" screws, as shown.  
 **Make sure screws go into framing.**




Remove temporary supports and check to make sure doors open and close properly.




Your doors are now installed.

# DOOR STIFFENERS

## PARTS REQUIRED:

x2  69" (175,3 cm) Door Stiffener

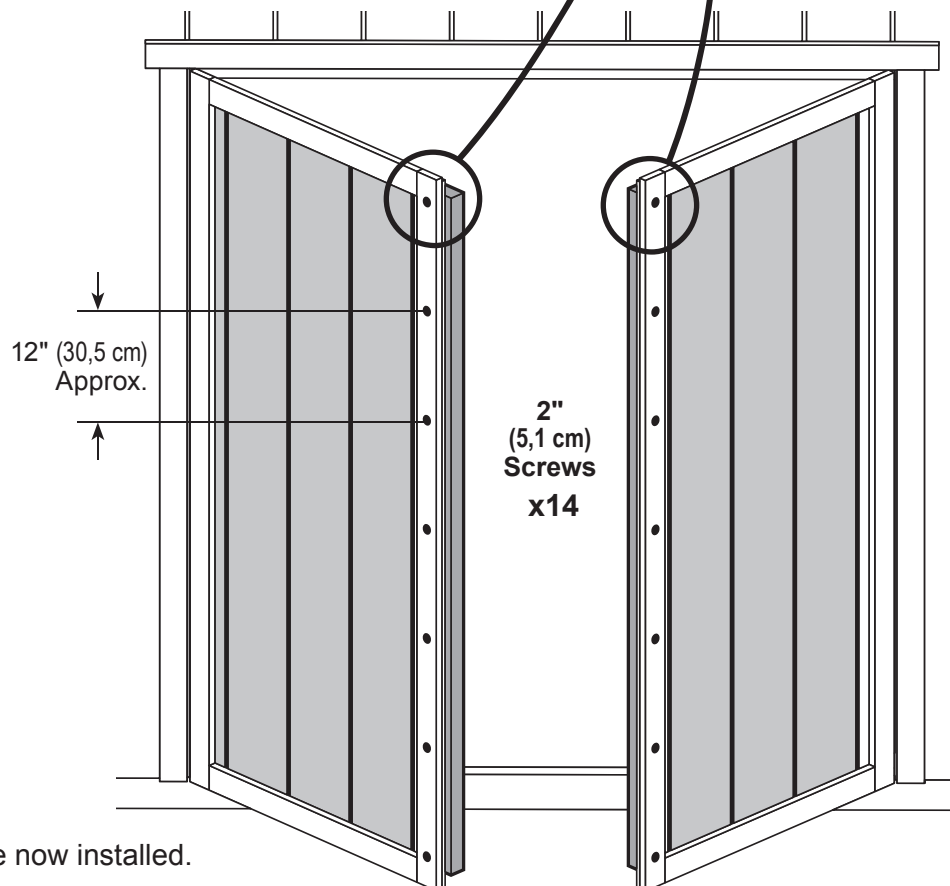
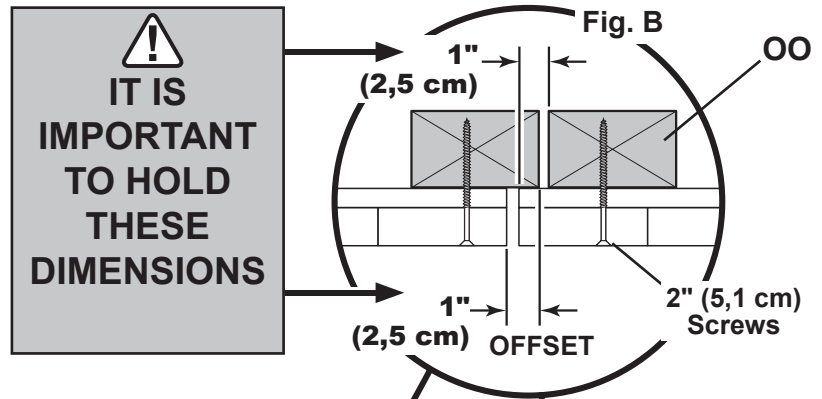
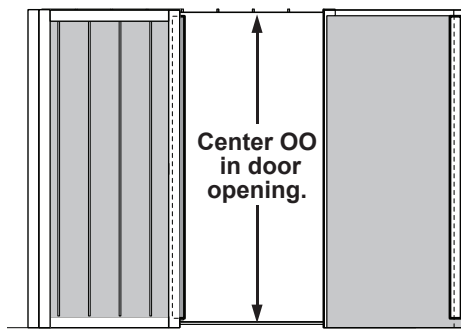
x14  2" (5,1 cm)



### ✓ BEGIN

- 1 Center **OO** vertically on the left door in the doorway (**Fig. A**) overlapping 1" (2,5 cm) along the edge of door (**Fig. B**).  
Secure with (7) 2" screws through outside trim into **OO**.
- 2 Center **OO** vertically on the right door in the door opening offset 1" (2,5 cm) from the edge of door (**Fig. B**).  
Secure with (7) 2" screws through outside trim into **OO**.

Fig. A



Your door stiffeners are now installed.


# DOORS

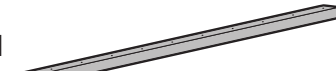
## PARTS REQUIRED:


x2 **AH**  
19/32" x 2-1/2" x 26 5/8" (1,5 x 6,3 x 67,6 cm)


x1 **AHR**  
19/32" x 2-1/2" x 62" (1,5 x 6,3 x 157,5 cm)

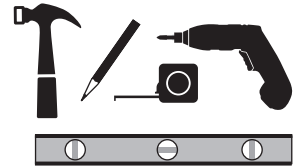
x1 **AHL**  
19/32" x 2-1/2" x 62" (1,5 x 6,3 x 157,5 cm)

x7   
2" (5,1 cm)

x1   
64" Metal Threshold

x11   
3/4" (1,9 cm)  
Bagged separately/  
special coating

x62   
3/4" (1,9 cm)



### ✓ BEGIN

- 1 Install trim **AH**, **AHL** and **AHR** as shown. Level **AH** before installing. Fasten trim to each door from inside with (11) 3/4" screws (**Fig. A**, **Fig B**).
- 2 Center trim **ZJ** over doors and secure with (7) 2" finishing nails into framing as shown.

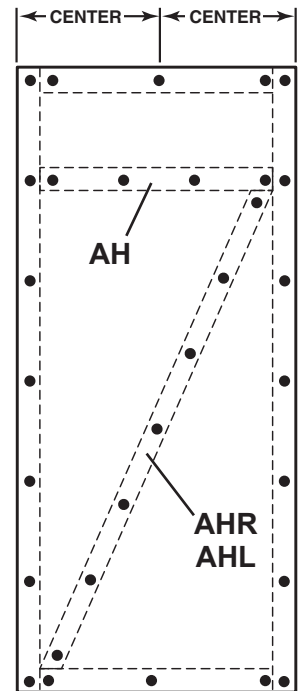
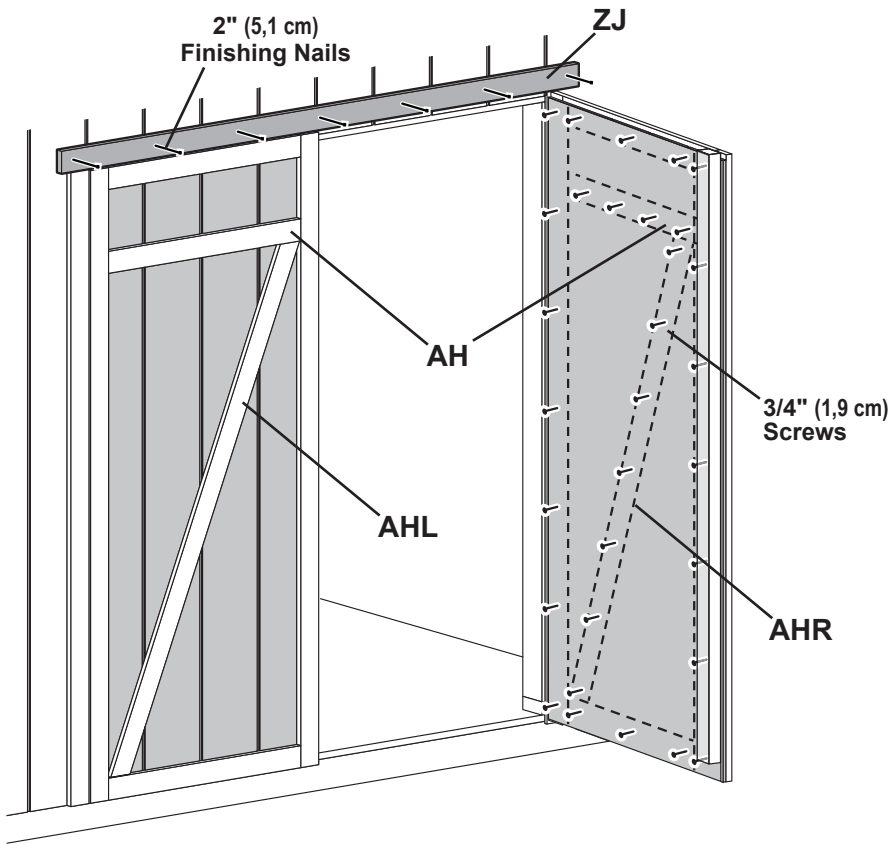
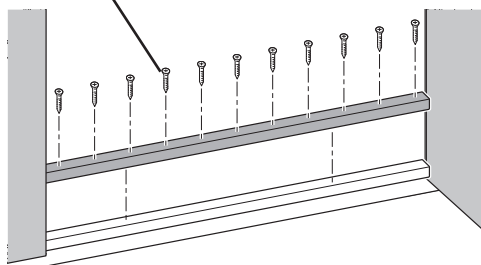


Fig. B

- 3 Install 64" metal threshold with (11) 3/4" screws.

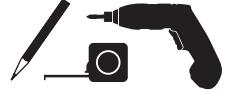
(11) Special Coating Screws



Your door trim and metal threshold are now installed.

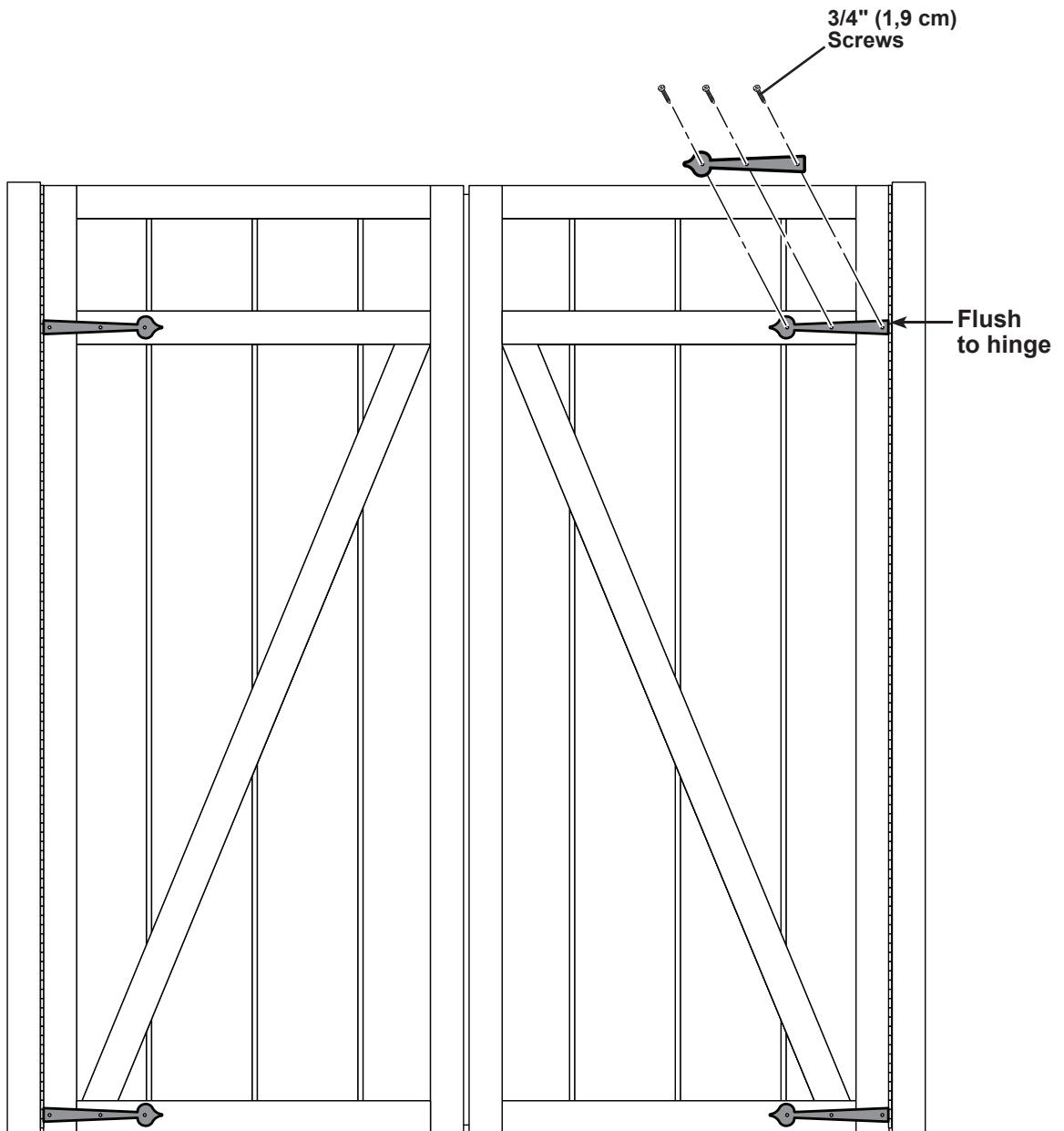
## DOOR HARDWARE

### PARTS REQUIRED:



✓ **BEGIN**

**1** Install decorative hinges in locations shown. Secure with 3/4" screws.

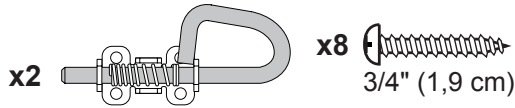


Your decorative door hinges are now installed.



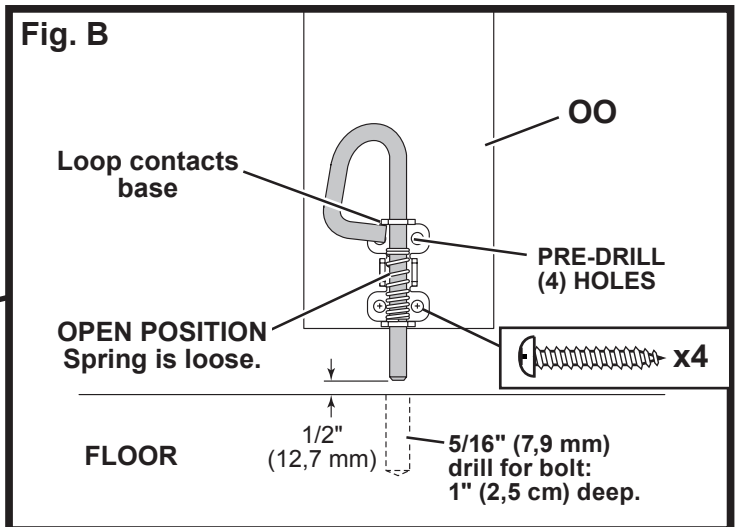
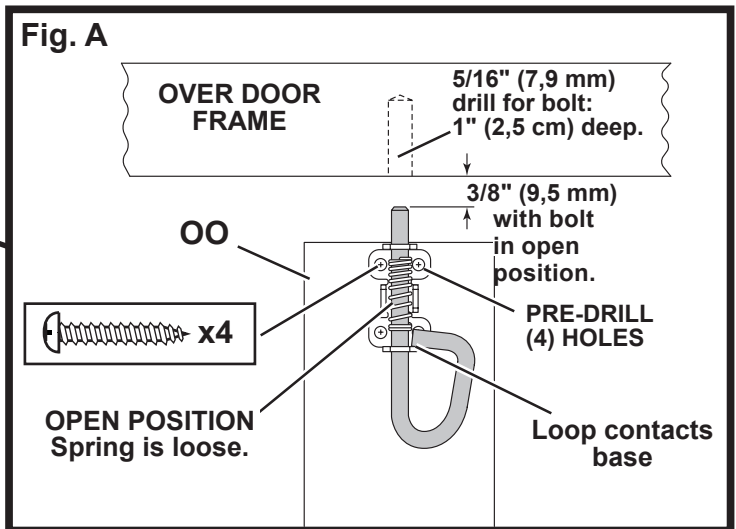
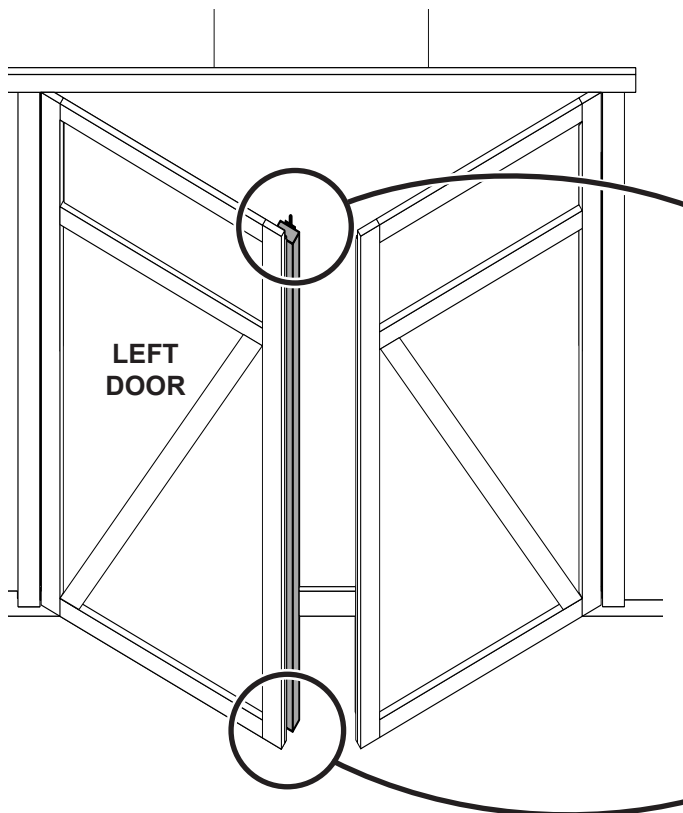
# DOOR HARDWARE

## PARTS REQUIRED:



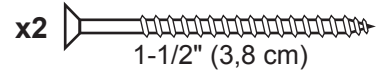
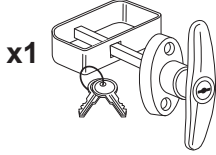
### ✓ BEGIN

- 1 Place bolt on **OO** in open position with bolt end 3/8" (9,5 mm) down from frame. Bolt is open when loop is contacting base (**Fig A**).
- 2 Mark and pre-drill holes for screws. Install bolt with screws supplied.  
Drill 5/16" (7,9 mm) hole deep enough for bolt to slide into.
- 3 Place bolt on **OO** in open position with bolt end 1/2" (12,7 mm) up from floor. Bolt is open when loop is connecting base (**Fig. B**).
- 4 Mark and pre-drill holes for screws. Install bolt with screws supplied.  
Drill 5/16" (7,9 mm) hole deep enough for bolt to slide into.



# DOOR HARDWARE

## PARTS REQUIRED:



3/8" (10,9 cm) Drill Bit

1/4" (0,6 cm) Drill Bit

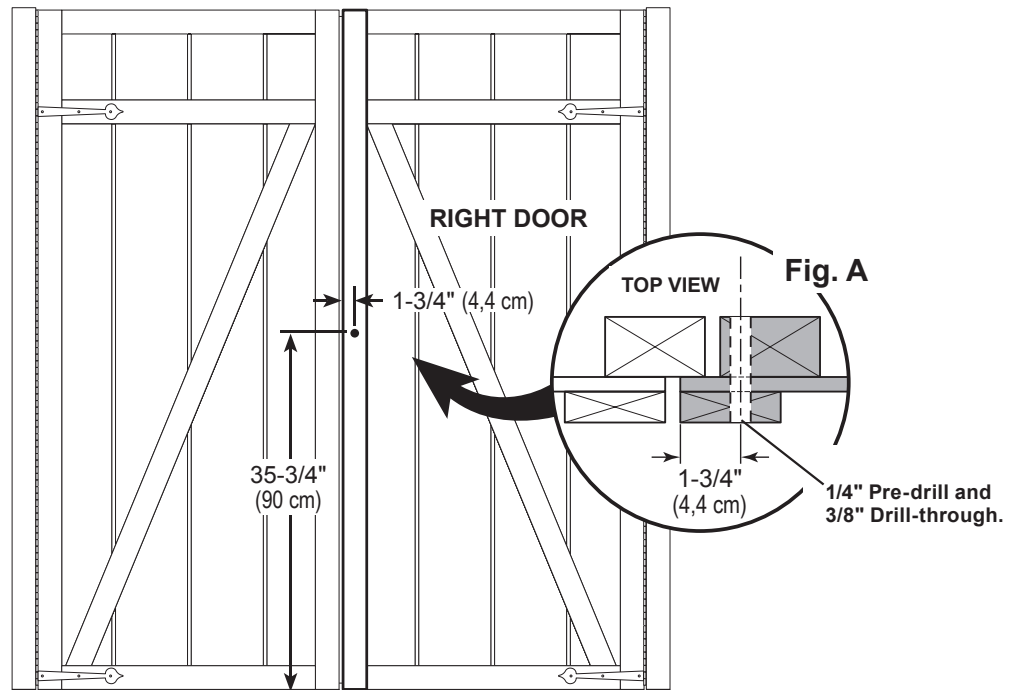


**5** Measure and mark location of hole on outside of right door as shown (Fig. A).  
Pre-drill hole with 1/4" drill.

Re-drill hole with 3/8" drill.

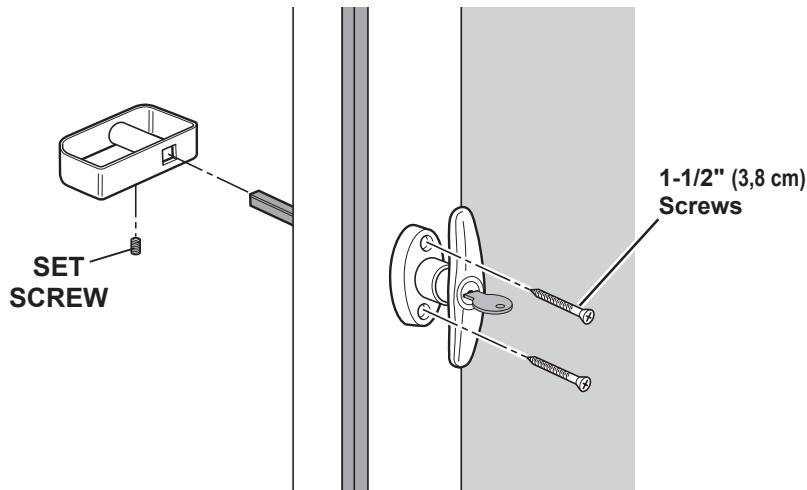


Keep drilled hole square to trim to avoid breaking edge of door stiffener.



**6** Insert handle in hole and secure with 1-1/4" screws.

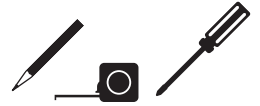
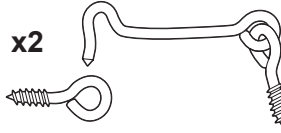
Attach inside handle and secure with set screw as shown.



Your spring bolt, T-handle and decorative hinges are now installed.

# HOOK & EYE

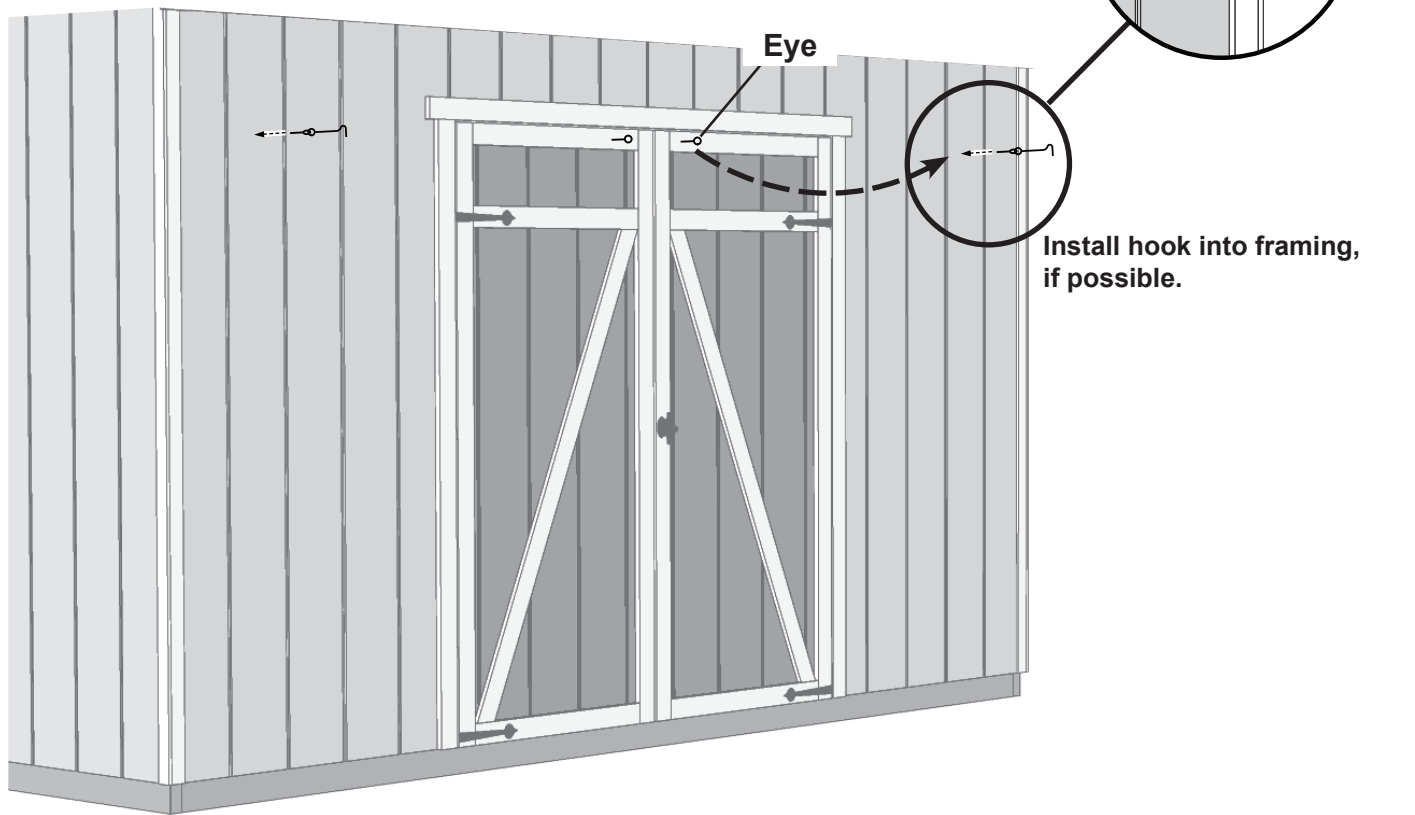
## PARTS REQUIRED:



✓ **BEGIN**

**1** Install hooks in wall and into framing behind (**Fig.A**).

**2** Swing door open to locate eye.



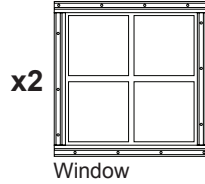
You have installed your hook & eyes.

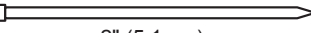
# GABLE WINDOW


## PARTS REQUIRED:

x2 **DI**  
19/32" x 2-1/2" x 12" (1,5 x 6,3 x 30,5 cm)

x2 **EU**  
19/32" x 2-1/2" x 17" (1,6 x 7,6 x 43,2 cm)



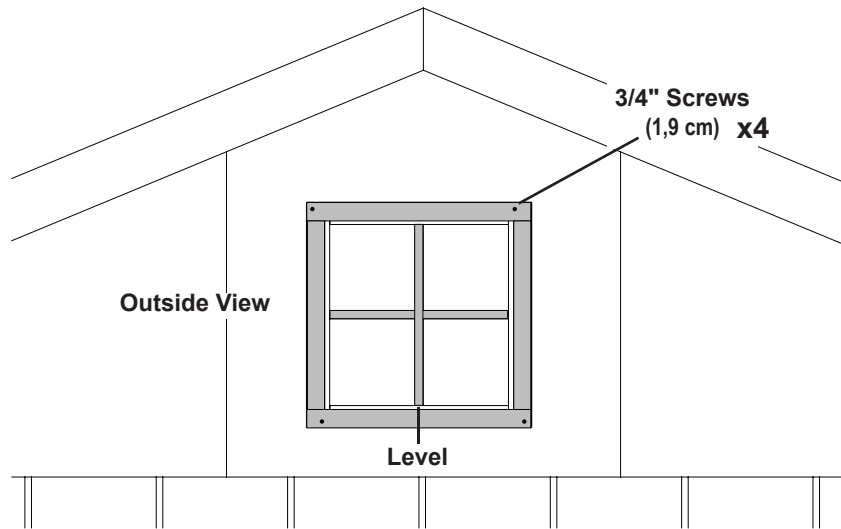
x14  2" (5,1 cm)

x12  3/4" (1,9 cm)

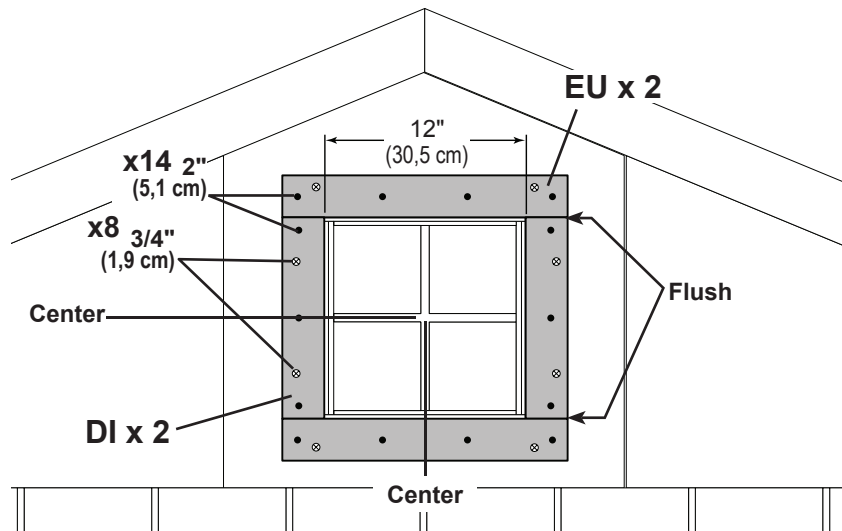


### ✓ BEGIN

- Center window in front gable as shown and secure with 3/4" screws  
Seal back of window with high-quality paintable exterior caulk before installing.



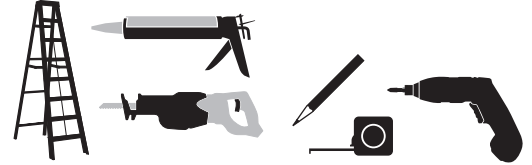
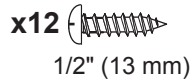
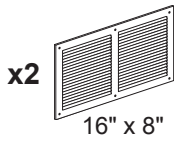
- Install window trim centered over installed window.  
Secure with 3/4" screws and 2" finishing nails, as shown.  
Do not screw into frame of window.  
Snip off protruding nails from inside.



Your gable window and trim is now installed.

## VENT (Not included in kit.)

• Follow directions provided by manufacturer and these instructions.



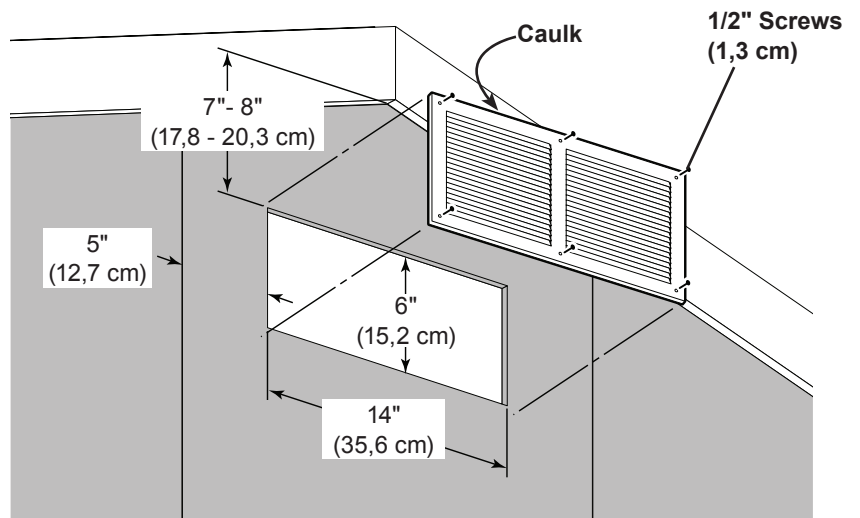
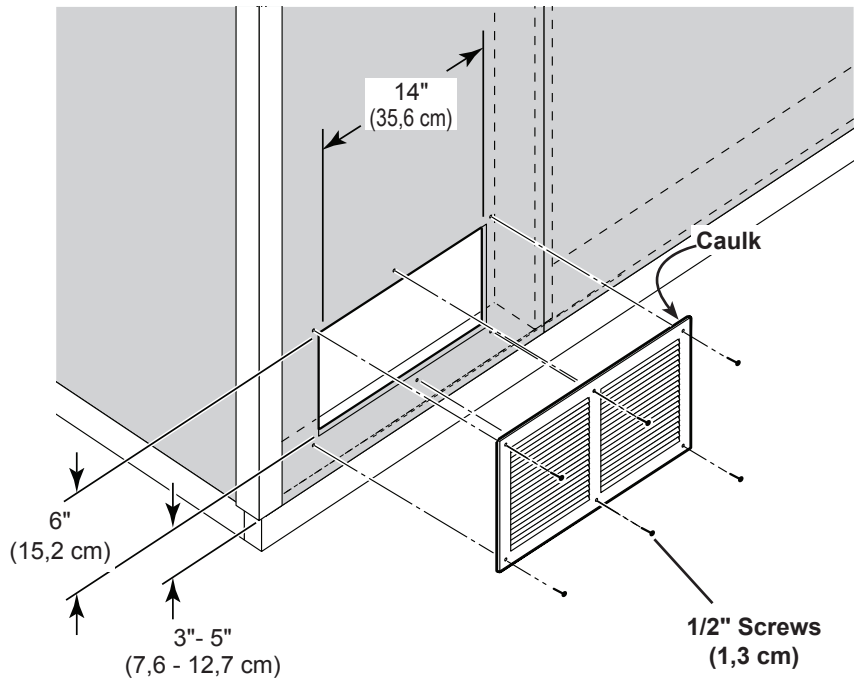
✓ **BEGIN**

- 1 Locate and mark for two vents in side walls as shown; (1) at top and (1) at bottom.

Cut out marked openings.

Caulk behind vent flanges.

Secure with 1/2" screws.



Your vents are now installed.

## PAINT & CAULK

- NOT INCLUDED -



- Use acrylic latex caulk that is paintable. Caulk at all horizontal and vertical seams, between the trim and walls, and all around the door trim.
- Use a high quality exterior acrylic latex paint. When painting your building, there are a few key areas that can be easily overlooked that must be painted:
  - Bottom edge of all siding and trim
  - Inside of doors and all 4 edges

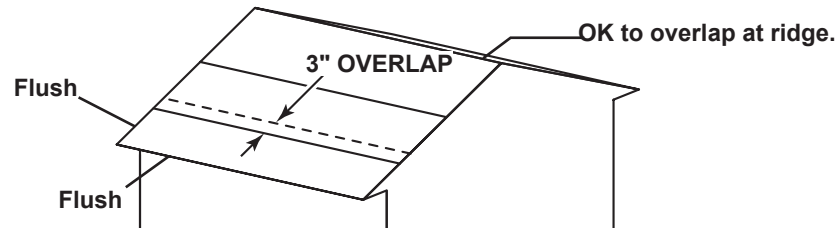
### Note:

Prime all un-primed exterior wood before painting.  
(Follow directions provided by manufacturer.)

## ROOF FELT

- NOT INCLUDED -

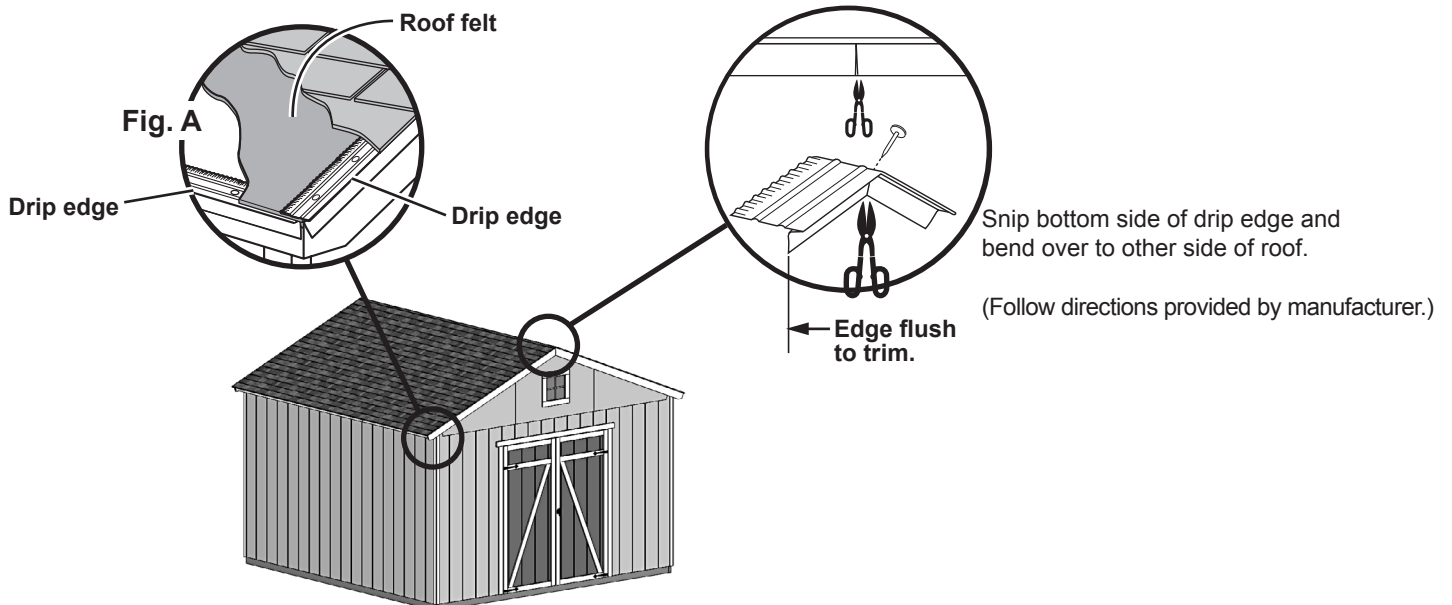
- Install felt flush to all roof edges overlapping 3". Use minimal amount of roofing nails to hold in place.



## DRIP EDGE

- NOT INCLUDED -

- Install drip edge over roof felt on gable side and under roof felt on eave side (Fig. A).
- Do not use nails on side of drip edge that hangs over side of building.
- Only nail top of drip edge as shown.

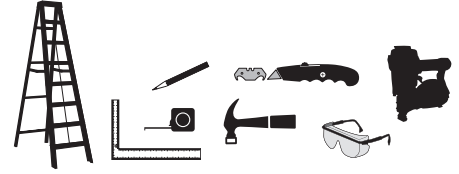


NOTE: 12' x 12' Model Shown.

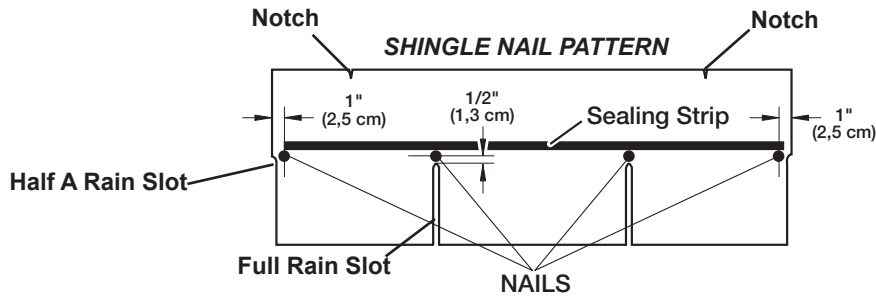
# SHINGLES

- NOT INCLUDED -

- Follow directions provided by manufacturer and these instructions.



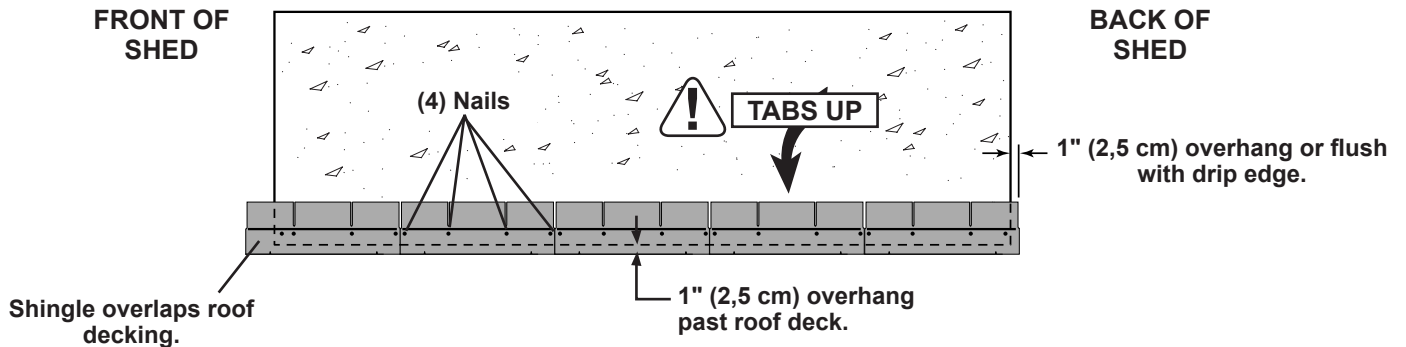
 Familiarize yourself with a 3-Tab Shingle.



 NEVER DRIVE FASTENERS INTO OR ABOVE SEALING STRIPS.

 **BEGIN**

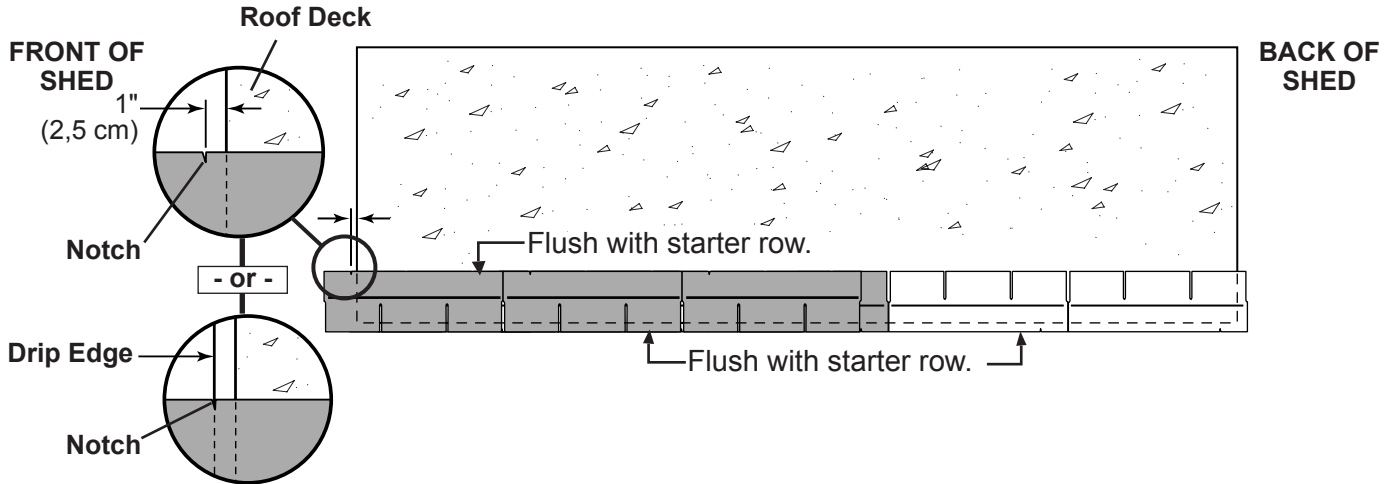
- 1 Install first starter row upside down and color up with a 1" overhang at back and bottom of roof panel. Use (4) nails per shingle. Starter row must be straight and level all the way across with lower edge of roof deck.  
NOTE: If you have installed drip edge install shingles flush to drip edge.



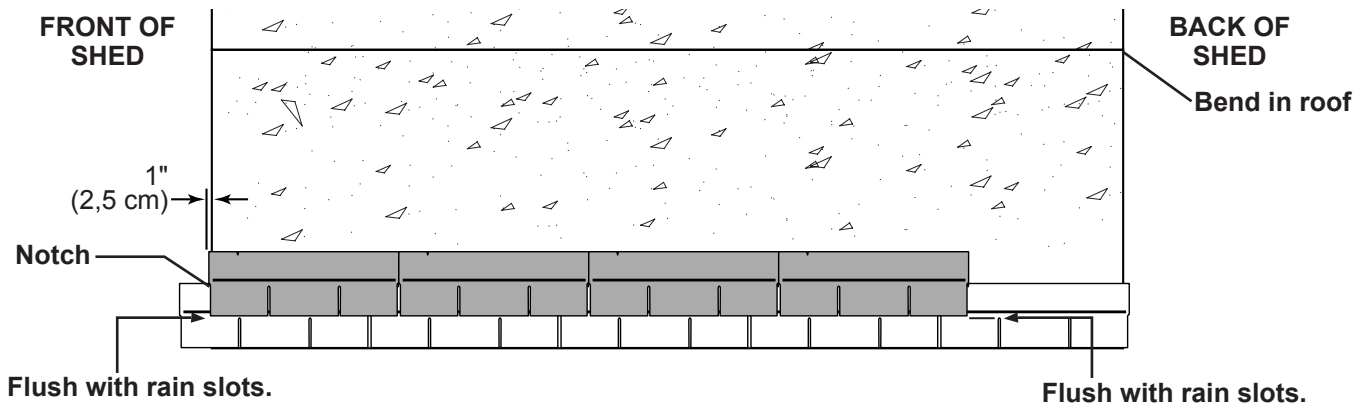
# SHINGLES

continued...

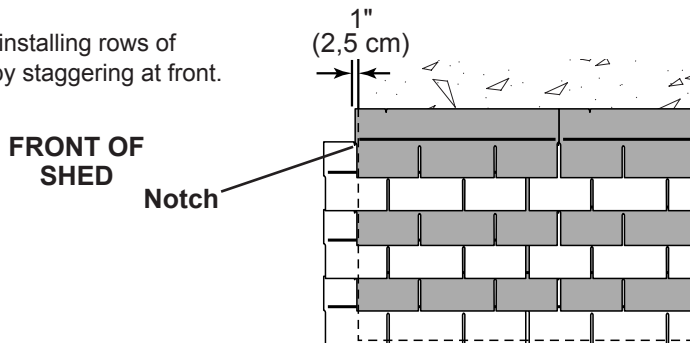
- 2 Beginning at front of shed, install first row of shingles with notch at 1" past roof edge or flush with drip edge.



- 3 Install second row of shingles flush at top of first row's rain slots. Ensure 1" overhang or flush to drip edge at front, stagger each row.



- 4 Continue installing rows of shingles by staggering at front.

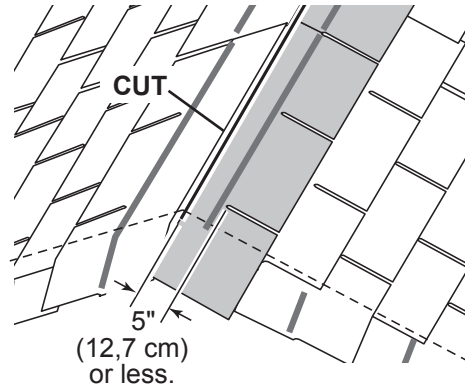
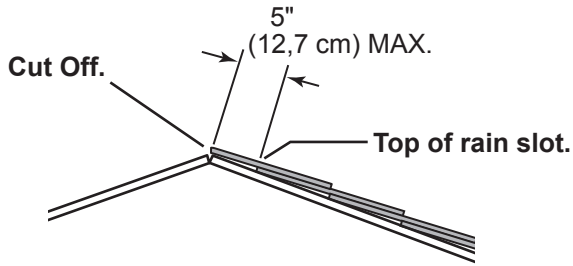




# SHINGLES

continued...

- 5 Continue installing rows of shingles to the peak. At the peak make sure there is a maximum of 5" or less to the rain slot, as shown below. If shingles overlap at ridge cut to peak with a utility knife.

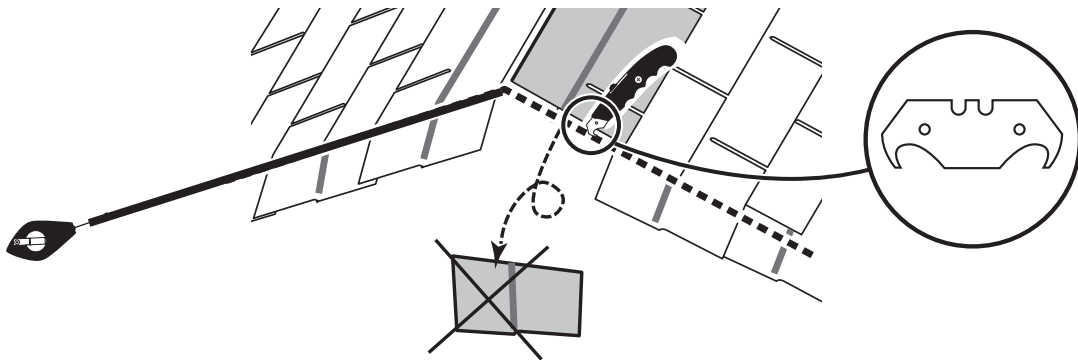


- ! • If more than 5" to rain slot you must install another row of shingles.

- 6 Repeat steps 1 - 7 to shingle the opposite side of your roof. Trim shingles at ridge.

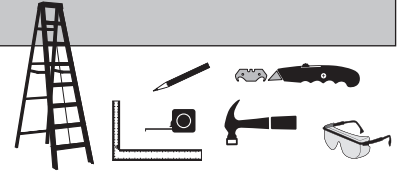
- 7 Once both sides are shingled you need to trim ends. Strike a chalk line 1" from edge.

- 8 Using your shingle hooked blade carefully cut shingles along chalk line.



You have finished shingling your roof. Proceed to capping the ridge.

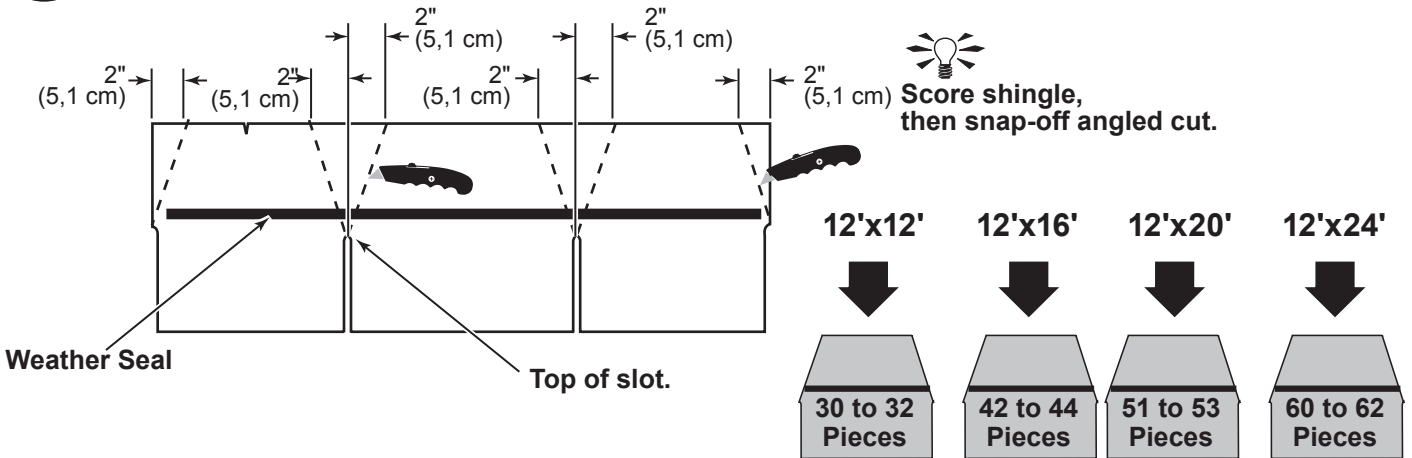
# SHINGLES - RIDGE CAP



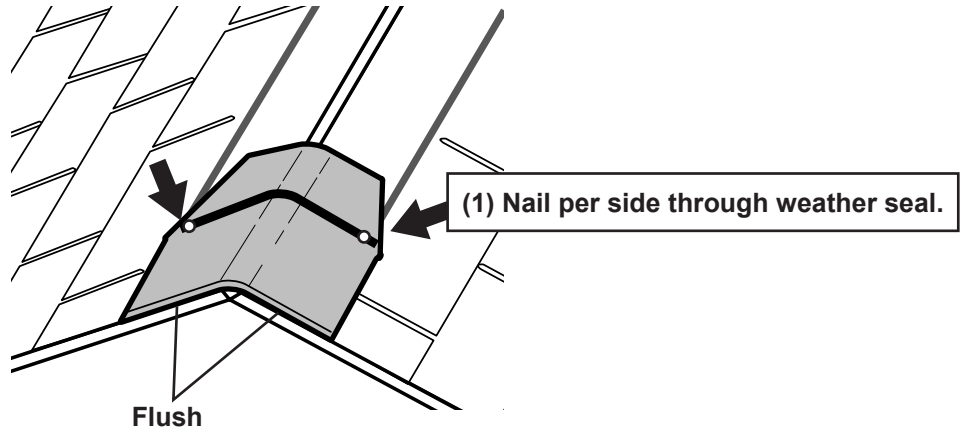
• You will finish off the top of the roof with a ridge cap made from shingles.

## ✓ BEGIN

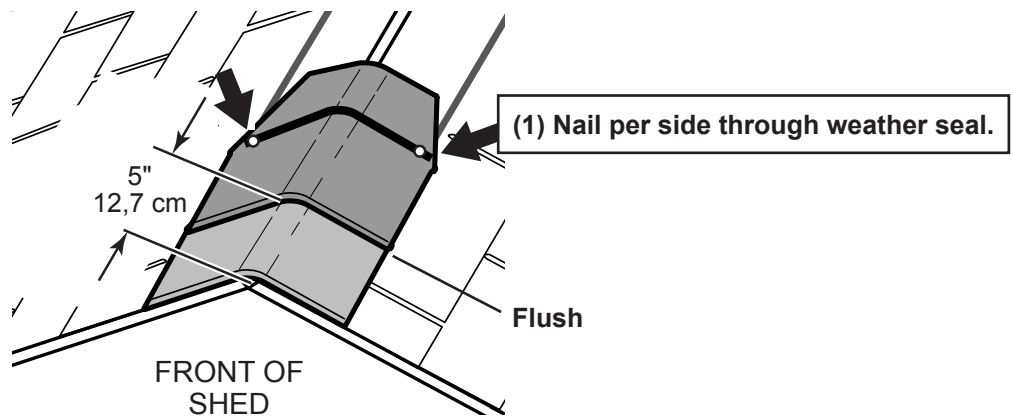
**1** Cut shingles in THREE pieces. Hint: Use cut-off pieces first.



**2** Install first ridge cap flush to shingles at front, as shown.



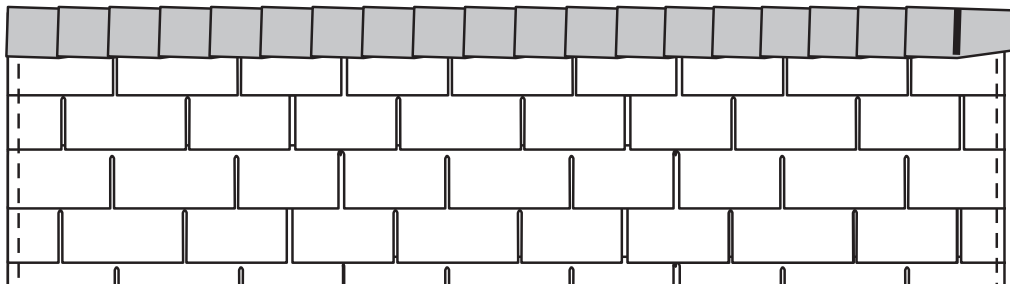
**3** Install second ridge cap 5" back, as shown.



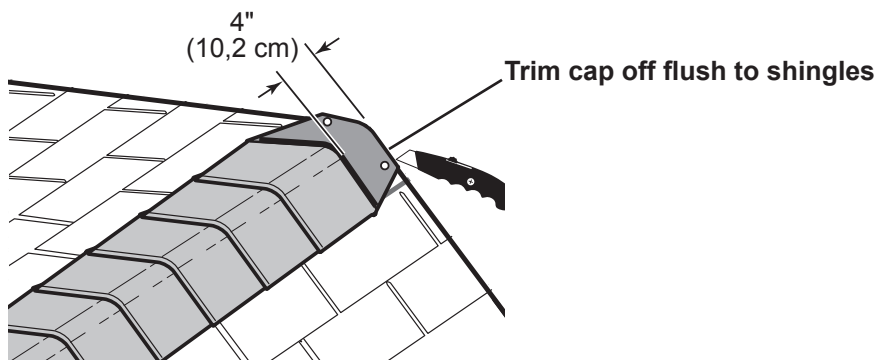
# SHINGLES - RIDGE CAP

continued...

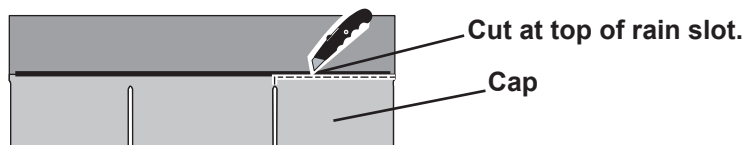
- 4 Continue installing ridge cap to back of roof.



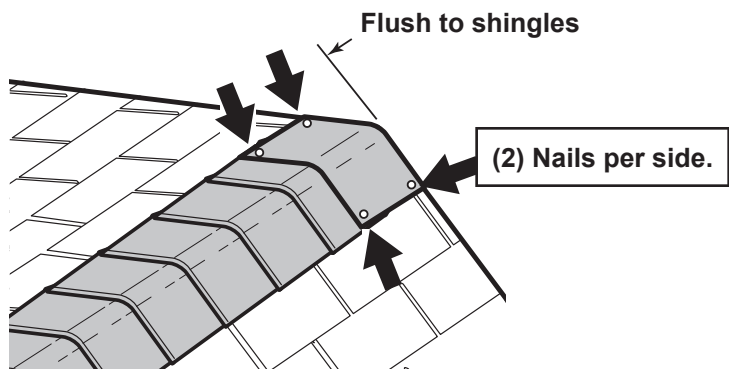
- 5 Make sure there is 4" between the shingle-color and edge of shingles.



- 6 When you have 4" minimum of shingle color cut one piece to cap your roof.



- 7 Install flush to shingles.



FINISH

You have finished your ridge cap.

# 16917 12' x12' Order Form

CATEGORY	PART DESCRIPTION	PART SIZE	PART ITEM #	BUILDING QTY.	PART ID
<b>2 X 3</b>	Loft Ledger Board "A"	LUM SPF 2X3X96 #2&BTR	12115	1	PT
	Loft Ledger Board "B"	2 X 3 X 48" PLATE	Q 48000000000	1	NK
	Shelf Support	2 X 3 X 10" SUPPORT	Q 10000000000	14	AC
<b>2 X 4</b>	Back Wall Top & Btm "A" / Dblr "A" / Loft	LUM SPF 2X4X96 #2&BTR	12306	9	TP
	Side Wall T & B Plate "A" / Dblr "B"	LUM SPF 2X4X92-5/8 #2&BTR	12305	4	TJ
	Side Wall T & B Plate "B"	2 X 4 X 44 3/8" PLATE	O 44060000000	4	HVC
	Side Wall Top Plate	2 X 4 X 68-1/2"	O 68080000000	4	YFA
	Doubler "C"	2X4X48" DOUBLER/ PLATE/ CRATE	O 48000000000	8	SP
	Wall Studs	2 X 4 X 78 1/2"	O 78080000000	23	AI
	Jack Studs	2 X 4 X 68" STUD	O 68000000000	2	UM
	Over Door Crippler	2 X 4 X 7"	O 07000000000	5	AL
	Header	2 X 4 X 67"	O 67000000000	2	AM
	Rafter	2 X 4 X 77-15/16" @ 22.5	O 77152222000	14	ADA
	Front / Rear Gable Connector	2 X 4 X 18 1/8"-22.5" CONNECT	O 18022222000	4	AF
<b>2 X 6</b>	Overhang "A"	LUM WSPF 2X6X96 #1 PREMIUM PET	12416	2	VX
	Overhang "B"	2 X 6 X 49 3/4" OVERHANG	N 49120000000	2	WTC
<b>1 X 3 PINE</b>	Gauge Block	1 X 3 X 5" PINE FILLER	U 05000000000	1	GAA
<b>1 X 4 PINE</b>	Fascia "A"	LUM SPF 1X4X96 SQ EDGE PET	14407	2	KP
	Fascia "B"	1 X 4 X 48 PET	T 48000000000	2	WJ
<b>7/16 OSB</b>	Upper Roof Panel "A"	OSB 7/16" x 4' x 8'	11110	2	---
	Upper Roof Panel "B"	7/16" OSB 47 7/8" X 48" ROOF	C 48004714000	2	---
	Lower Roof Panel "A"	7/16" OSB 36-1/2" X 96" ROOF	C 96003608000	2	---
	Lower Roof Panel "B"	7/16" OSB 36 1/2" X 47-7/8"	C 47143608000	2	---
	Loft Deck "A"	7/16" OSB 23 7/8" X 96" ROOF	C 96002314000	1	---
	Loft Deck "B"	7/16" OSB 23 7/8" X 40 7/8"	C 40142314000	1	---
	Door Header Filler	7/16" OSB 3 1/4" X 66 3/4" HEADER	C 66120304000	1	---
	Shelf Top "A"	7/16" OSB 11 7/8" X 96"	C 96001114000	2	---
	Shelf Top "B"	7/16" OSB 11 7/8" X 48"	C 48001114000	2	---
<b>GUSSETS</b>	Gusset	EZ8"/OSB 6" X 24" GUSSET 22.5"	J 24000600225	12	---
<b>NO GROOVE SIDING</b>	Center Gable Panel w/ Hole ... FRONT	3/8" NG 23 9/16" X 33 1/2" X	K 4800330804W	1	---
	Center Gable Panel ... BACK	3/8" NG 23 9/16" X 33 1/2"	K 48003308044	1	---
	Front / Rear Gable Panel - Right	3/8" NG 23 9/16" X 48" RIGHT FRONT GABLE	K 48002309100	2	---
	Front / Rear Gable Panel - Left	3/8" NG 23 9/16" X 48" LEFT FRONT GABLE	K 48002309200	2	---
	Corner Trim	3/8" NG 1 3/4" X 83-1/2"	K 83080112000	8	---
<b>8OC SIDING</b>	Rearwall Panel "A" / Side Panel	SIDING 8" OC 4'X7'	11506	9	---
	Rear Panel "B"	EZ 8" 23 7/8" X 84" WALL PANEL	J 84002314000	2	---
	Frontwall Panel Right	EZ 8" 48" x 84" RIGHT FRONTWALL	J 84004800101	1	---
	Frontwall Panel Left	EZ 8" 48" x 84" LEFT FRONTWALL	J 84004800201	1	---
	Shelf Bracket	EZ 8" 8" X 12 1/2" PRECUT for	J 120808000PP	14	---
<b>19/32 X 3 SMART TRIM</b>	Vertical / Over Door Trim	19/32 TST 2 1/2" X 72" TRIM	UT72000208000	1	ZJ
	Long Cross Buck - Right	19/32 TST 2 1/2" X 62" 22.5"	UT62000208221	1	AHR
	Long Cross Buck - Left	19/32 TST 2 1/2" X 62" 22.5"	UT62000208222	1	AHL
	Horizontal Door Rail	19/32 TST 2 1/2" X 26 5/8"	UT26100208000	2	AH
	Horizontal Window Trim	19/32 TST 2 1/2" X 17"	UT17000208000	2	EU
	Vertical Window Trim	19/32 TST 2 1/2" X 12"	UT12000208000	2	DI
<b>19/32 X 4 SMART TRIM</b>	Gable Trim Right	19/32 TST 3 1/2" X 84 15/16" 22.5" O/E RGT TRIM	UT84150308221	2	CQR
	Gable Trim Left	19/32 TST 3 1/2" X 84 15/16" 22.5" O/E LFT TRIM	UT84150308222	2	CQL
<b>PURCHASED COMPONENTS</b>	Door Stiffener	LSL 1-1/4 X 2-1/4 X 69 PET	12715	2	OO
	Square Gable Window	WINDOW 12" SQUARE	15273	1	---
	Black T-Handle w/ Faux Hinges	HANDLE - T & "D" HANDLES, FAUX	15220	1	---
	Hardware Kit	H/K CLASSIC SERIES GABLES	15781	1	---
	Threshold	THRESHOLD 7/8" X 1-1/2" X 63-7/8	15420	1	---
<b>PACKAGING</b>	Instructions		16917	1	---
<b>Right Door Assembly</b>	<b>30222-R</b>				
	Door Panel	EZ 8" 31 1/4" X 71 1/2"	J 71083104000	1	---
	Right Hinge Assembly	HINGE RIGHT (RED) 19/32x3 THIN TRIM	30121-TT	1	---
	Vertical Door Stiles	19/32 TST 2 1/2" X 71 5/8"	UT71100208000	2	GY
	Horizontal Door Rails	19/32 TST 2 1/2" X 26 5/8"	UT26100208000	2	AH
<b>Left Door Assembly</b>	<b>30222-L</b>				
	Door Panel	EZ 8" 31 1/4" X 71 1/2"	J 71083104000	1	---
	Left Hinge Assembly	HINGE LEFT (GREEN) 19/32x3 THIN TRIM	30131-TT	1	---
	Vertical Door Stiles	19/32 TST 2 1/2" X 71 5/8"	UT71100208000	2	GY
	Horizontal Door Rails	19/32 TST 2 1/2" X 26 5/8"	UT26100208000	2	AH

### LIMITED CONDITIONAL WARRANTY\*

Backyard Storage Solutions, LLC warrants the following:

1. Every product is warranted from defects in workmanship and manufacturing for 1 year.
2. All accessories, hardware and metal components are warranted for 2 years.
3. All Oriented Strand Board (OSB) is warranted for 2 years
4. Siding and Trim is warranted for 15 years.
5. LP Prostruct® Flooring is warranted for 10 years
6. Cedar lumber is warranted for 15 years.
7. Preserved Pine is warranted for 10 years.
8. Redwood is warranted for 10 years.
9. Metal Roof is warranted for 25 years.

Backyard Storage Solutions, LLC will repair, replace or pay for the affected part. In no event shall Backyard Storage Solutions, LLC pay the cost of labor or installation or any other costs related thereto. All warranties are from date of purchase. If a cash refund is paid on an affected part, it will be prorated from the date of purchase.

### CONDITIONS

The warranty is effective only when:

1. The unit has been erected in accordance with the assembly instructions.
2. The unit has been properly shingled and painted or stained and regularly maintained thereafter.
3. The failure occurs when the unit is owned by the original purchaser.
4. Backyard Storage Solutions, LLC has received the warranty registration card within thirty (30) days of purchase and notification of the failure in writing within the warranty period specified above.
5. Backyard Storage Solutions, LLC has had reasonable opportunity during the sixty (60) days following receipt of notification to inspect and verify the failure prior to commencement of any repair work.

### REQUIREMENTS

#### Storage Buildings

To validate your warranty, it is necessary to properly maintain your Backyard Storage Solutions, LLC unit; shingle the roof and paint or solid-colored stain the siding using quality, 100% acrylic latex exterior product with a minimum of two (2) coats within thirty (30) days of assembly; caulk above all doors and all horizontal and vertical trim boards; paint and seal all exposed edges, sides and faces of siding/trim and OSB siding to include all exterior walls and all sides and all edges of doors.

#### Gazebos & Pergolas

To validate your warranty, it is necessary to properly maintain your Backyard Storage Solutions, LLC unit. This includes treating all of the exposed cedar and pine surfaces on your gazebo or pergola structure with an exterior grade wood preservative, an exterior oil-based semi-transparent stain, an acrylic latex exterior paint or an acrylic latex solid color exterior stain within 30 days of assembly and as needed thereafter to maintain your warranty.

Keep vegetation trimmed away from building and make sure siding panels and trim do not come in contact with masonry or cement. The minimum ground clearance for siding must be one half inch (½ inch) from concrete slab or two and one half inches (2 ½") from the ground when building is erected or constructed on a treated wood floor kit. Water from sprinklers must be kept off unit. In no event will Backyard Storage Solutions, LLC be responsible for any indirect, incidental, consequential or special damages nor for failure(s) that are caused by events, acts or omissions beyond our control including, but not limited to, misuse or improper assembly, improper maintenance (which eventually leads to rot or decay) and acts of God. Backyard Storage Solutions, LLC will not be held responsible for any labor costs incurred to construct your unit.

This warranty gives you certain specific rights that vary from state to state.

### CLAIM PROCEDURE

To make a claim under this warranty, you can either call 1-888-827-9056 or email: [customerservice@backyardproducts.com](mailto:customerservice@backyardproducts.com).

Please have ready the information below when you call or include the information in your email:

1. The model and size of the product.
2. A list of the part(s) for which the claim is made.
3. Proof of purchase of the Backyard Storage Solutions, LLC item, as shown on the original invoice or receipt.
4. Run code: found on exterior product label or assembly instructions enclosed in the product package.

All other inquiries can be mailed to:

Backyard Storage Solutions, LLC  
Attn: Customer Service  
1000 Ternes  
Monroe, MI 48162

**\*WARRANTY TERMS MAY VARY OUTSIDE THE U.S.A.**

**IMPORTANT: This is your warranty certificate.**

15Y PSS BB GEN LDR: 3/20/2019