

99220-001/ 99250-001 Series Aluminum Attic Ladder

Serie 99220-001/ 99250-001 Escalera de ático de aluminio

Installation Instructions / Instrucciones de instalación

**FAILURE TO COMPLY WITH ALL
INSTRUCTIONS MAY RESULT IN
SERIOUS INJURY**

**SI NO SE CUMPLE CON TODAS
LAS INSTRUCCIONES, PUEDEN
RESULTAR EN LESIONES GRAVES.**

Table of Contents

		Page
	Parts and Tools	2
	Before you begin	3
Step 1	Preparing Existing Attic Ladder Opening for Installation	4-5
Step 2	Placing Ladder into Prepared Opening	6-7
Step 3	Permanent Mounting of Ladder	8
Step 4	Setting Ladder Height	9
Step 5	Attaching the Feet	10-11
	Appendix	12-20
	Replacement Parts	21

Índice

		Página
	Piezas y herramientas	22
	Antes de comenzar	23
Paso 1	Preparación de la abertura para escalera de ático existente para la instalación	24-25
Paso 2	Colocación de la escalera en la abertura preparada	26-27
Paso 3	Montaje permanente de la escalera	28
Paso 4	Ajuste de la altura de la escalera	29
Paso 5	Instalación de los pies	30-31
	Apéndice	32-40
	Piezas de reemplazo	41



Parts and Tools For 99220-001&99250-001 Aluminum Attic Ladder

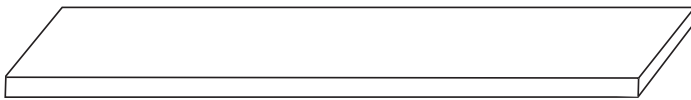
DO NOT REMOVE NYLON TIE HOLDING THE LADDER SECTIONS TOGETHER UNTIL INSTRUCTED

ADDITIONAL MATERIALS NEEDED

(10) #8 Deck Screws, 2"



1 x 4 Temporary Support Boards
(2 pieces approximately 32" long)



Shims

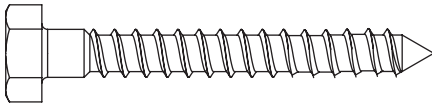


TOOLS NEEDED

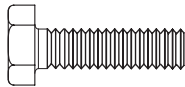
Carpenter's Square
Drill
Hammer
Hacksaw
Drill Bit, 1/8"
Drill Bit, 9/32"
Pencil
Stepladder
Tape Measure
Wrench, 7/16" (2)
Phillips Driver

INCLUDED FASTENERS

(12) 1/4" Hex Head
Lag Screws
3" Long



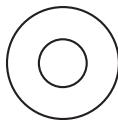
(2) 1/4"- 20 Hex Head
Cap Screws
3/4" Long



(2) 1/4" - 20 Lock Nut

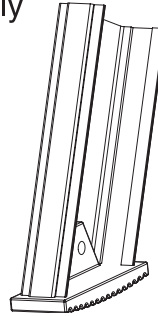


(13) 1/4" Washers

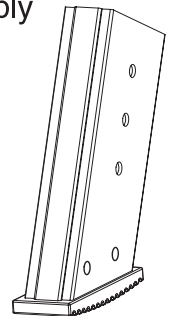


INCLUDED COMPONENTS

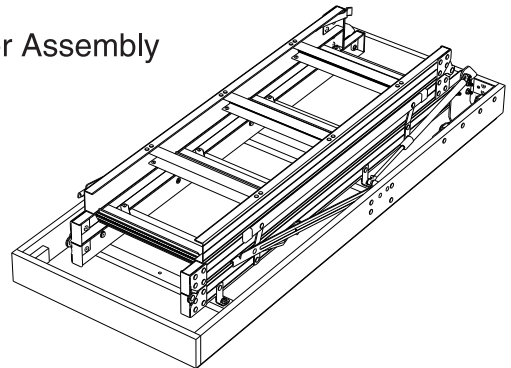
(1) Left Foot
Assembly



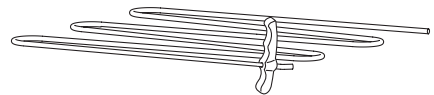
(1) Right Foot
Assembly



(1) Ladder Assembly



(1) Pull Rope
Assembly



BEFORE YOU BEGIN:

Read instructions completely before beginning. This is necessary to ensure that you have a suitable location for the attic ladder and the ability to safely and properly install it.

Are you capable of installing this attic ladder?

To install this attic ladder you should have sawing, squaring, and aligning skills similar to those required to install a window or a door frame. If you do not have these skills you should hire a professional carpenter to install this unit (see the Yellow Pages under “Building Contractors, Carpenters, Home Builders, Home Improvements, or Contractors-General”).

Does this attic ladder meet your needs?

This attic ladder is for residential use only. Installing this attic ladder in commercial buildings and apartments may violate building codes that require fire-rated ceilings and prohibit storing materials in the overhead space! Check with your local fire marshal or building department before installing the attic ladder.

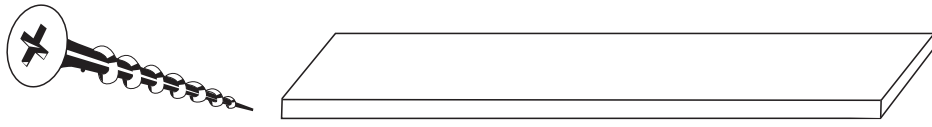
The capacity of the attic ladder (person plus materials being carried) is 350 pounds.

This attic ladder is made for the range of ceiling heights 7’8” to 10’3”. Do not install the attic ladder in a ceiling that has a height outside of this range. Altering the attic ladder to accommodate other heights is unsafe.

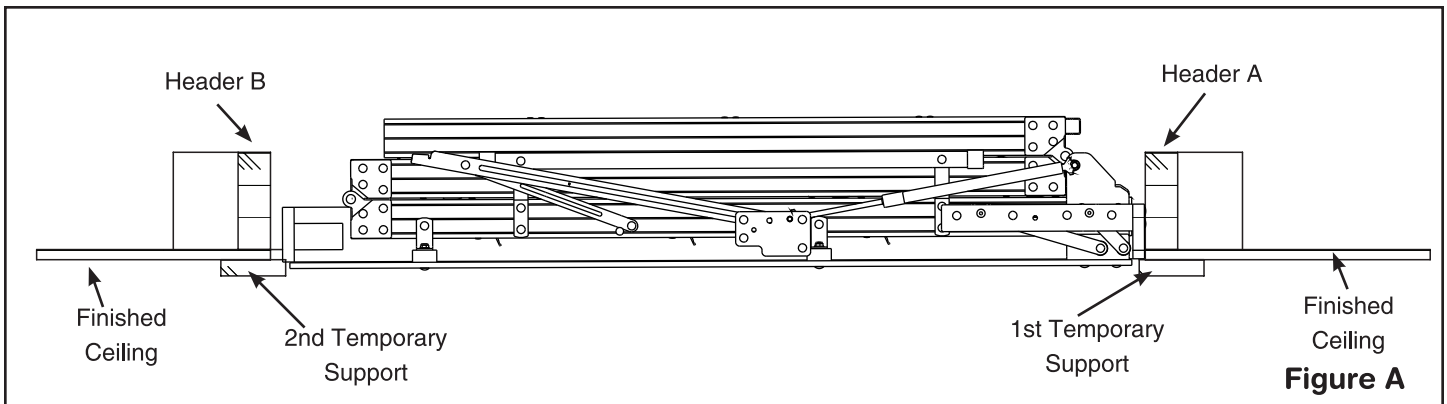
- a. To save time and prevent accidents, inspect the attic ladder for shipping damage before beginning the installation.
 - **Check wooden door panel for splits and warpage**
 - Check all metal parts for damage such as bends and cracks
 - Check that all rivets are tight

- b. You must have
 - 2 people who are capable of lifting the 50 pound attic ladder into the overhead space
- c. You must have:
 - A rough opening in the ceiling measuring 22-1/2” x 54” for the 99220-001 and 25” x 54” for the 99250-001, If not, proceed to the Appendix, Section 1.1, page 12.
- d. Verify clearance requirements:
 - See Appendix, Section 1.3, Figure 3, page 14

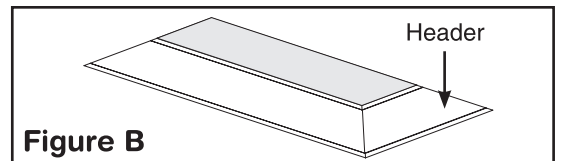
Step 1 PREPARING EXISTING ATTIC LADDER OPENING FOR INSTALLATION

ADDITIONAL MATERIALS NEEDED	TOOLS NEEDED
<p>(6) #8 Deck Screws, 2" 1 x 4 Temporary Support Boards (2 pieces approximately 32" long)</p> 	<p>Stepladder Hammer Tape Measure Pencil Carpenter's Square Drill Phillips Driver</p>

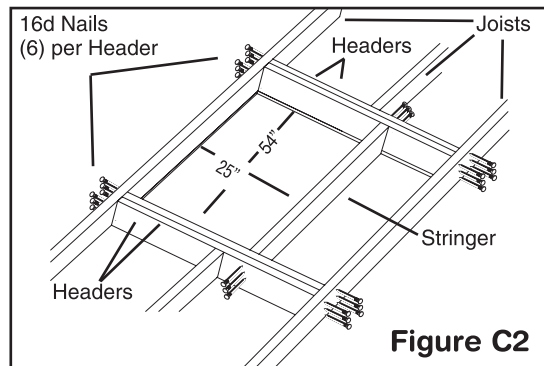
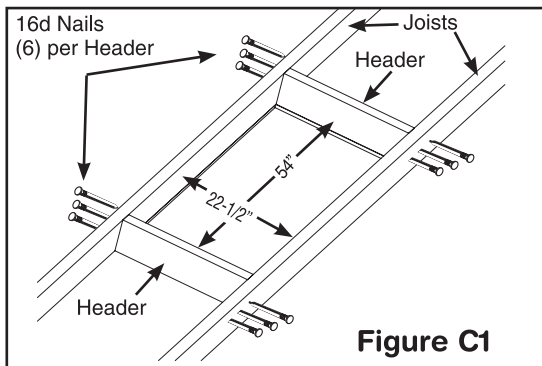
At completion of Steps 1 & 2 the frame of your ladder will be installed flush with the underside of the finished ceiling. (See Figure A)



1. PREPARING EXISTING OPENING: (See Figure B)
 - a. Remove any trim and hardware surrounding the opening.
 - b. Inspect existing attic ladder opening to make sure it meets minimum construction requirements and is 22-1/2" x 54" (Model 99220-001 Figure C1) or 25" x 54" (Model 99250-001 Figure C2).
 - c. If it is necessary to modify or create a new opening, please refer to Appendix, Section 1.1, page 12.



For best results make sure the ceiling around the opening is flat and in good repair and that all sides of the opening are flat, plumb and in good repair.



Step 1 (continued)

PREPARING EXISTING ATTIC LADDER OPENING FOR INSTALLATION

2. ATTACHING TEMPORARY SUPPORT BOARDS:

It is necessary to temporarily support the ladder in the prepared rough opening by using 1 x 4 x 32" boards that extend from edge to edge across each end of the rough opening. The boards form a ledge to support the ladder before it is permanently secured. Care is important in positioning the boards.

- Secure first temporary support $3/8"$ from the inside edge of Header "A". Header "A" is the end where the hinge of the ladder will go. Make sure all (3) screws penetrate header. (See Figure D & E).
- Measuring from the inside edge of first temporary support, secure second temporary support so that the inside edge is $52-1/2"$ from inside edge of the first temporary support. (See Figure D)
- Be certain both first and second temporary supports are secured firmly into respective headers. (See Figure E).

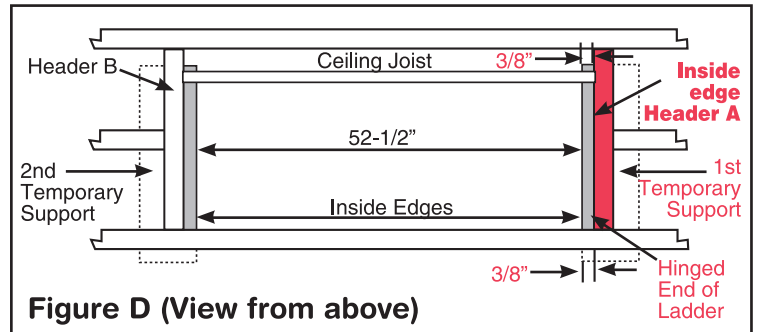


Figure D (View from above)

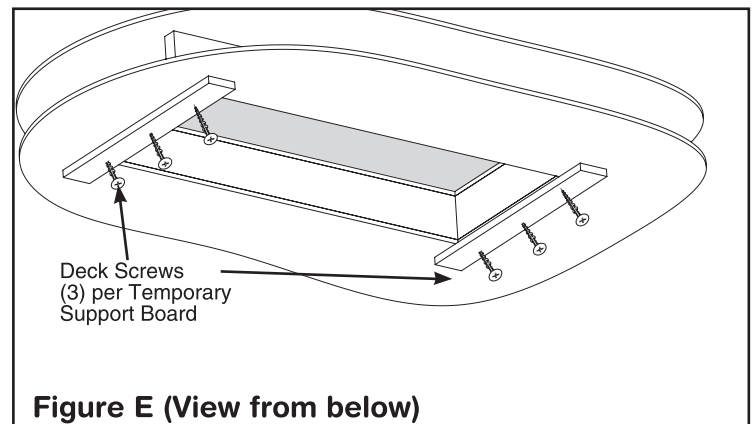


Figure E (View from below)

⚠ WARNING

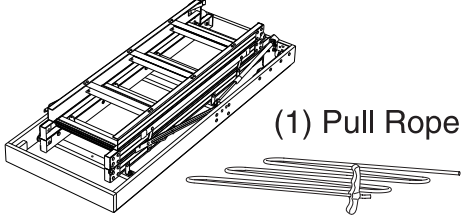
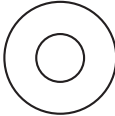


Make sure that the temporary support boards are $52-1/2"$ apart on both sides of opening. The attic ladder is likely to fall from the ceiling if the temporary support boards are not properly spaced.

⚠ WARNING

Support boards must be fastened securely to temporarily support the weight of the ladder when it is placed in the rough opening.

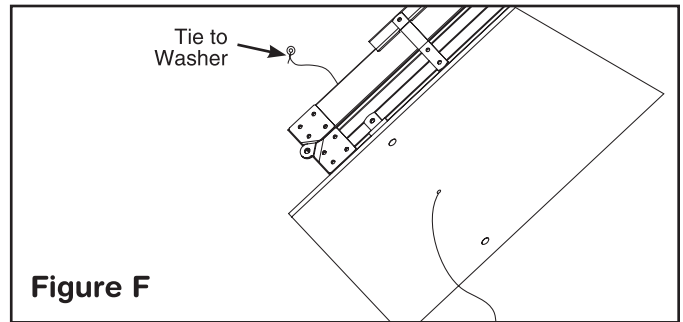
YOUR ATTIC LADDER OPENING IS NOW PREPARED FOR INSTALLATION.
PROCEED TO STEP 2 - PLACING LADDER INTO PREPARED OPENING

Step 2 PLACING LADDER INTO PREPARED OPENING

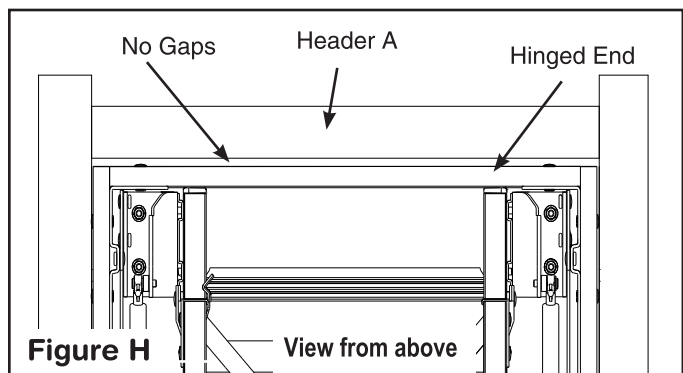
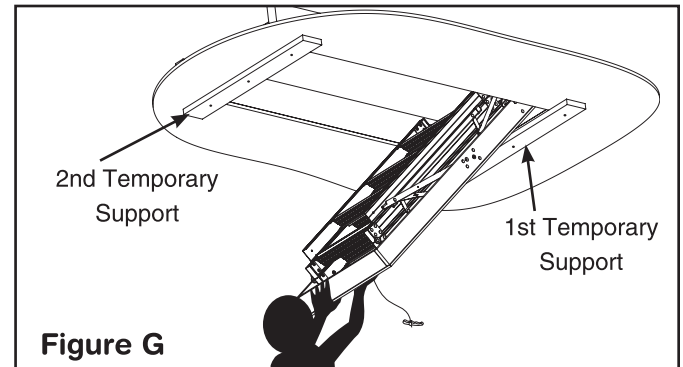
INCLUDED COMPONENTS	INCLUDED FASTENERS	ADDITIONAL MATERIALS NEEDED	TOOLS NEEDED
(1) Ladder Assembly  (1) Pull Rope	(1) 1/4"-20 Washer 	Shims  (4) #8 Deck Screws, 2" 	Stepladder Tape Measure Hammer Drill Phillips Driver

WARNING
 DO NOT remove the nylon tie holding the ladder sections together until after the ladder has been properly installed and secured.

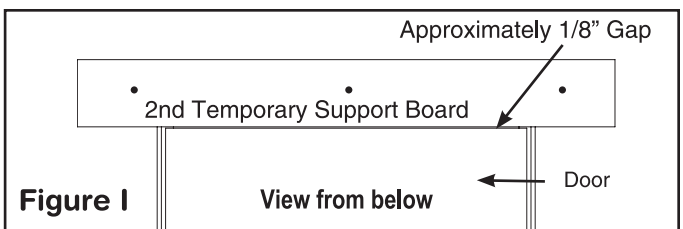
WARNING
 Be careful when using a stepladder to climb into and out of the overhead space.



1. ATTACHING PULL CORD: (See Figure F)
 - a. Thread small end of supplied pull rope through pre-drilled hole in door and tie to the washer. You can adjust length of pull rope after ladder is completely installed.
2. RAISING LADDER INTO ROUGH OPENING:
 - a. One person should be in the attic before raising the ladder.
 - b. Raise ladder through rough opening at an angle so the ladder clears the temporary support boards. (See Figure G)
 - c. Position the ladder in the rough opening so it rests securely on the temporary support boards. Slide the ladder so that the hinged end of the wood frame is resting tightly against Header "A" (See Figure H). Make certain the plywood door is not prevented from opening by the support boards. (See Figure I) If it is obstructed check the position of the support boards from Step 1.



WARNING
 Do not place any weight on the ladder until permanently installed in Step 2, page 8.
 The person in the overhead space must remain there until installation is completed.



Step 2 (continued)

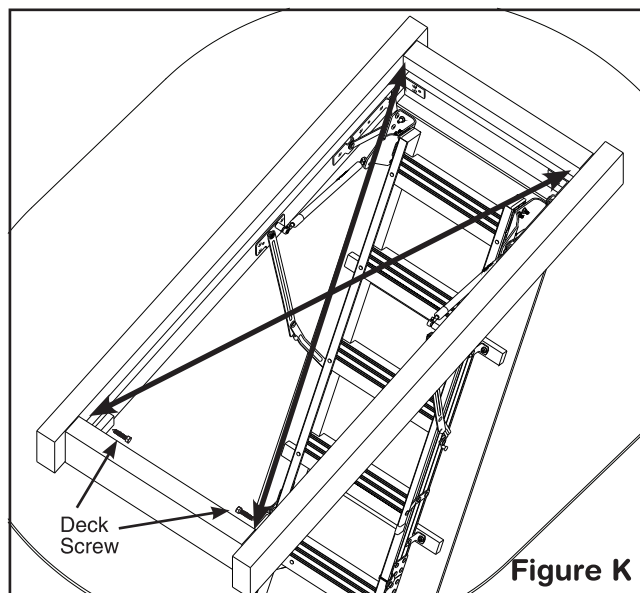
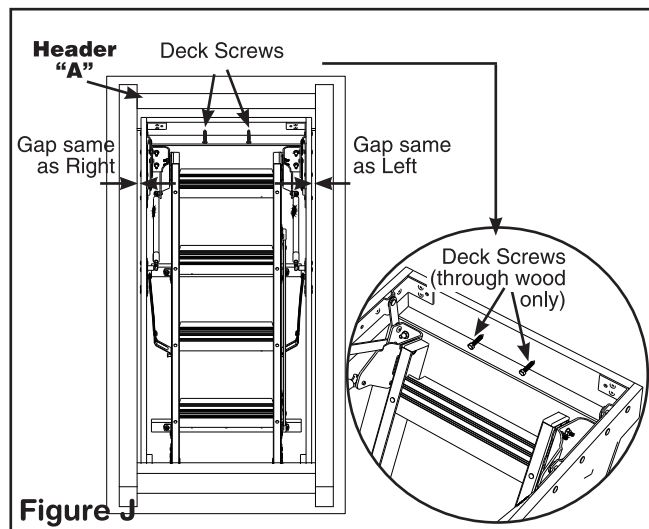
PLACING LADDER INTO PREPARED OPENING

3. SQUARING THE LADDER IN OPENING:

- a. Center the hinged end of the ladder on Header "A" so that there is equal space on both sides (See Figure J). Drive (2) screws, (See Figure J), to hold the frame to Header "A". Screws to go through wood frame only. Holes in steel hinge plate are for use in Step 3.
- b. Open ladder door by pulling straight down on the pull rope. Ladder sections should remain folded with nylon ties attached.
- c. Shim the frame at corner locations if needed (See Figure K) so that the two diagonal dimensions are equal. The frame is square when the dimensions are equal. If dimensions cannot be made equal within 1/8" by shimming, the hinged end of the ladder may need to be repositioned. (See Figure K)

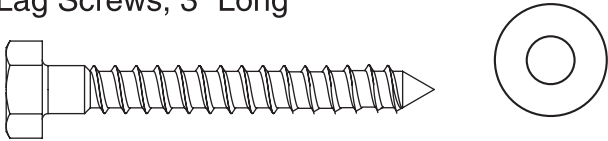

Failure to properly square the frame may result in ladder closing at an angle. If this occurs, there may be contact between the frame and ladder, causing door not to close properly. Check frame for squareness by measuring across diagonals (See Figure K). The two dimensions should be equal within 1/8" to be considered square.

- d. Drive (2) screws as shown at the end opposite of the hinge to hold the shims in place. Do not drive screws through blocks. (See Figure K)



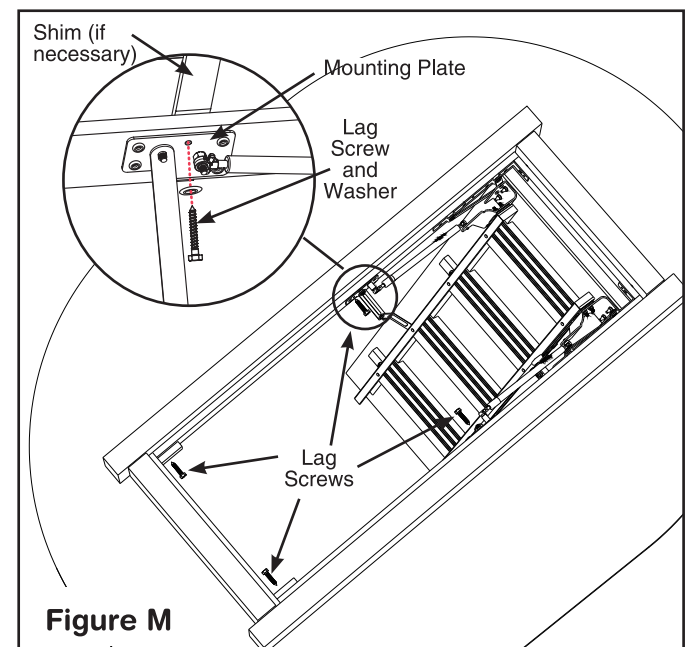
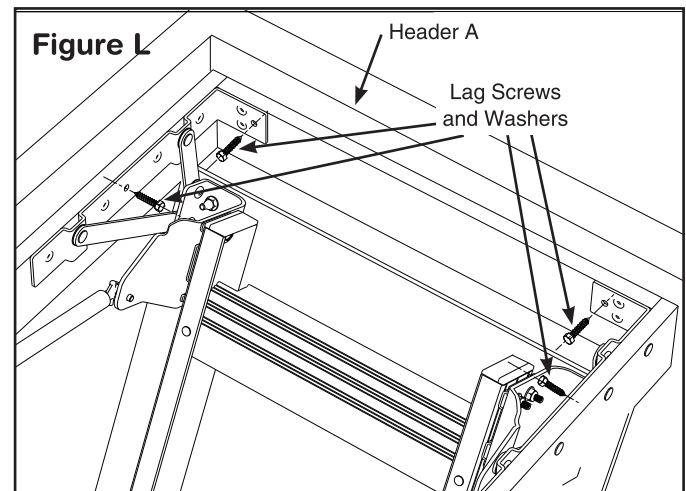
**YOUR ATTIC LADDER HAS BEEN PROPERLY PLACED INTO THE PREPARED OPENING.
PROCEED TO STEP 3 - PERMANENT MOUNTING OF LADDER.**

Step 3 PERMANENT MOUNTING OF LADDER

INCLUDED FASTENERS	ADDITIONAL MATERIALS NEEDED	TOOLS NEEDED
<p>(12) 1/4" Hex Head Lag Screws, 3" Long (12) 1/4" Washers</p> 	<p>Shims</p> 	<p>Stepladder Drill 1/8" Drill Bit Wrench, 7/16" (1) Hammer</p>

1. SECURING LADDER IN ROUGH OPENING:

- a. Pre-drill (4) 1/8" pilot holes and install (4) 1/4" x 3" hex head lag screws into Header "A" using hinge plate as template. (See Figure L) (4) 1/4" washers to be used under heads of lag screws.
- b. If necessary, carefully place shims behind Mounting Plates (See inset - Figure M) Do not bow sides of ladder frame with shims. Pre-drill (2) 1/8" pilot holes and install (2) 1/4" x 3" hex head lag screws into Mounting Plates. (2) 1/4" washers to be used under heads of lag screws. (See Figure M)
- c. Pre-drill (4) 1/8" pilot holes approximately as shown. Install (4) 1/4" x 3" hex head lag screws. (4) 1/4" washers to be used under heads of lag screws.
- d. Make sure door closes without interference. Readjust shims if necessary



Trim portion of shims that stick out above and below frame.
Shims sticking out above the frame are a tripping hazard and must be trimmed.

2. REMOVE TEMPORARY SUPPORT BOARDS

**YOUR ATTIC LADDER HAS BEEN PERMANENTLY MOUNTED INTO OPENING.
PROCEED TO STEP 4 -SETTING LADDER HEIGHT.**

Step 4 SETTING LADDER HEIGHT

TOOLS NEEDED

Hacksaw
Tape Measure

Pencil
Carpenter's Square

The lower section of the ladder may require trimming and adjusting feet to proper height.

1. TAKING YOUR MEASUREMENT: (See Figure N)
 - a. With the unextended ladder in the fully open position, measure height "Y" from bottom of the wood frame of the attic ladder to the floor. Refer to Table 1 before proceeding to the next step.

WARNING

The attic ladder must be adjusted to match the proper height where it is installed. Failure to do so may result in damage to the ladder or injury to the user.

2. TRIMMING LOWER SECTION:
 - a. Remove the nylon tie holding the ladder sections together.
 - b. Fold the lower section of the unit under the middle section (See Figure O).
 - c. Measure the required cut off distance "X", defined in Table 1, from the bottom of the lower section and mark a straight line perpendicular to rail, using a pencil and carpenter's square. (See Figure O)
 - d. With ladder properly supported, use a hacksaw to cut off excess lower section at line marked in step c.
 - e. Unfold lower section of the unit to the open position.

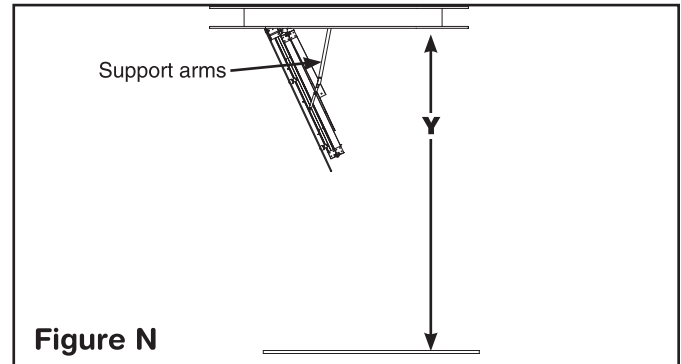


Figure N

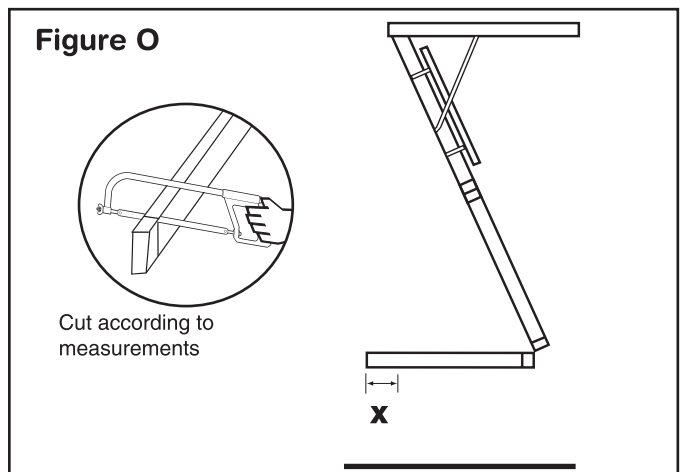


Figure O

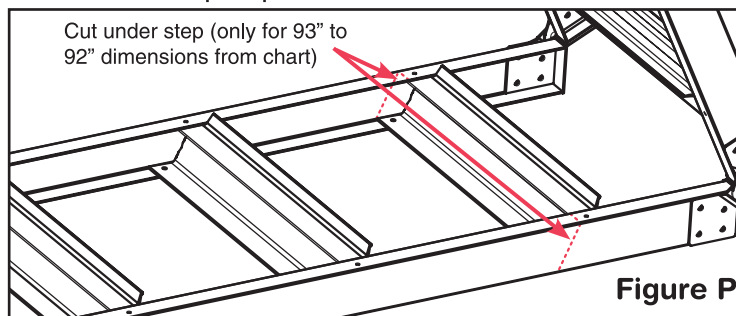


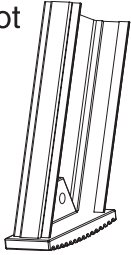
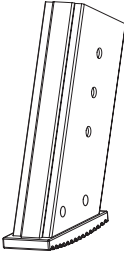


Figure P

**YOUR ATTIC LADDER HEIGHT HAS BEEN PROPERLY SET.
PROCEED TO STEP 5 - ATTACHING THE FEET**

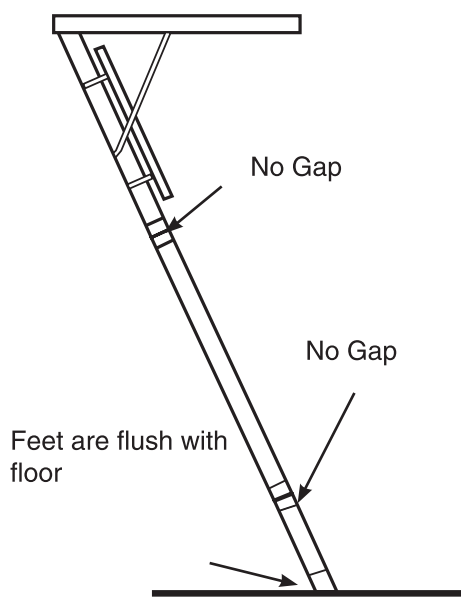
Distance "Y"		"X"	Distance "Y"		"X"
If your height is less than:	But more than or equal to:	Then cut off is:	If your height is less than:	But more than or equal to:	Then cut off is:
	123"	0"	108"	107"	17-1/4"
123"	122"	1"	107"	106"	18-1/2"
122"	121"	2"	106"	105"	19-1/2"
121"	120"	3"	105"	104"	20-1/2"
120"	119"	4-1/4"	104"	103"	20-7/10"
119"	118"	5-1/4"	103"	102"	23-1/2"
118"	117"	6-1/4"	102"	101"	24"
117"	116"	7-1/2"	101"	100"	25-1/4"
116"	115"	8-1/2"	100"	99"	26-1/4"
115"	114"	8-3/4"	99"	98"	27-1/4"
114"	113"	11-3/10"	98"	97"	28-1/2"
113"	112"	12"	97"	96"	29-1/2"
112"	111"	13"	96"	95"	30-1/2"
111"	110"	14"	95"	94"	32"
110"	109"	15-1/4"	94"	93"	32-3/4"
109"	108"	16-1/4"	93"	92"	See Figure P

Table 1

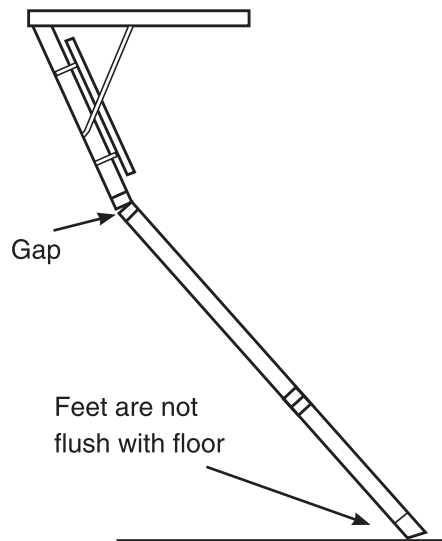
Step 5 ATTACHING THE FEET

INCLUDED COMPONENTS & FASTENERS	TOOLS NEEDED
<p>(1) Left Foot Assembly</p>  <p>(1) Right Foot Assembly</p>  <p>(2) 1/4"-20 Hex Head Cap Screws 3/4" Long</p>  <p>(2) 1/4"-20 Lock Nut</p> 	<p>Hacksaw Tape Measure Pencil Drill 9/32" Drill Bit Carpenter's Square Wrench, 7/16" (2)</p>

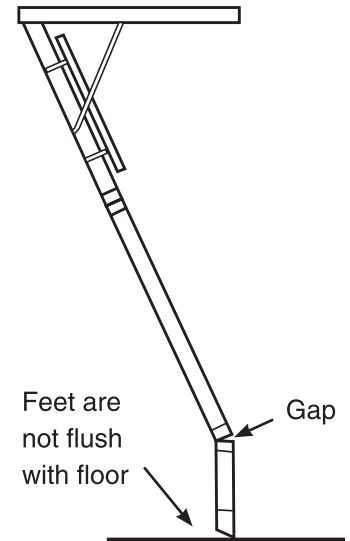
At the completion of Step 5 the hinges in your ladder should have no gaps as shown in the Correct Setup



Correct Setup



Lower Section is Too Long



Lower Section is Too Short

⚠ WARNING

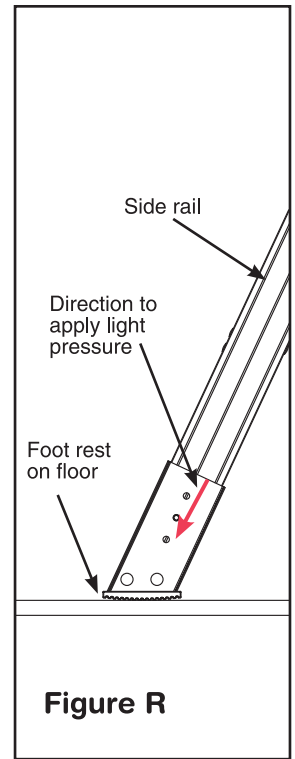
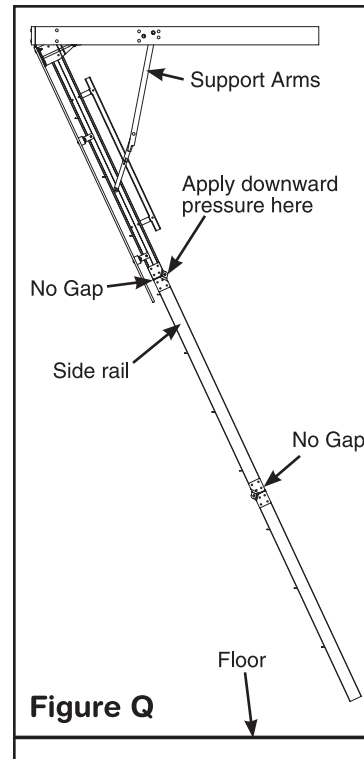
The bottom section must fit flush with the floor. Failure to properly adjust the feet on the ladder could result in unnecessary stress on the component parts, resulting in serious injury.

Step 5 (continued)

ATTACHING THE FEET

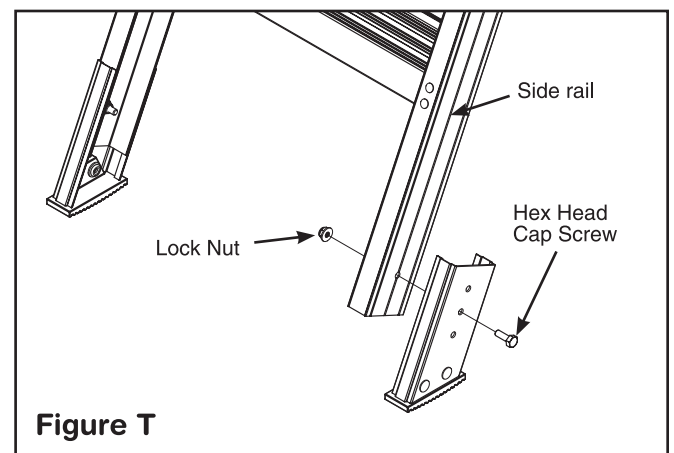
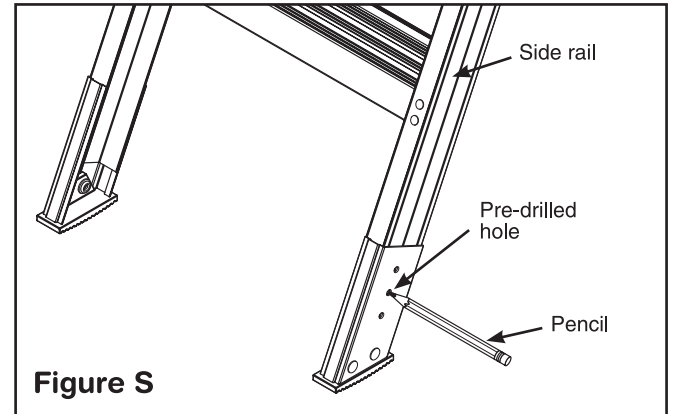
1. PROPER FOOT LOCATION:

- Be sure ladder sections are fully extended and support arms are fully open. Apply pressure as shown to make sure ladder is fully extended. (See Figure Q)
- Place foot over side rail and slide foot downward until the rubber foot pad rests firmly on the floor. Apply light pressure as shown. (See Figure R)
- Mark location to drill hole through side rail of lower section using one of the pre-drilled holes in the adjustable foot as a template. Remove foot and check position of hole before drilling. Drill 9/32" hole through the rail. (See Figure S)
- Install adjustable foot and tighten using 1/4" hex head cap screw and lock nut provided. (See Figure T)
- Repeat steps a through d for other side of ladder.



Note:

To realize the full energy efficiency benefits of your attic ladder, all gaps between attic ladder frame and rough opening should be filled with insulation.



CONGRATULATIONS - YOUR LADDER IS NOW COMPLETELY INSTALLED AND READY FOR USE.

Appendix

CREATING A ROUGH OPENING

Section 1.1

IMPORTANT QUESTIONS

Is your ceiling and joist structure suitable for this installation?

This attic ladder can be installed in structures with conventional wood roof frames (See Figure 1). If there is a ceiling, you must have an access hole in the ceiling that allows you to enter the overhead space for a pre-installation inspection.

Roof support structures that have braces connected to the ceiling joists or which use trusses (See Figure 1) cannot be cut without destroying the load-bearing capacity of that section of the roof. Do not cut joists that are part of a braced conventional frame or truss without first consulting an architect or structural engineer (see the Yellow Pages under "Architects or Structural Engineers").

The attic ladder should **not** be installed in a ceiling that has any of the following:

- components of heating/cooling systems embedded in the ceiling
- joists made of materials other than wood
- metal reinforced plaster
- suspended ceilings

If your ceiling contains any of the above, do not attempt to install the attic ladder. Contact a professional for assistance with your specific needs (see the Yellow Pages under "Heating and Cooling Contractors, Building Contractors, Carpenters, Home Builders, Home Improvements, or Contractors-General").

Do these instructions meet your needs?

These instructions describe how to install the attic ladder parallel or perpendicular to the ceiling joists. Contact a professional if you want the attic ladder installed in some other direction relative to the joists.

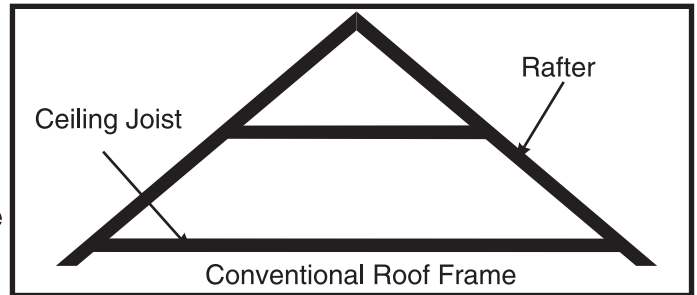
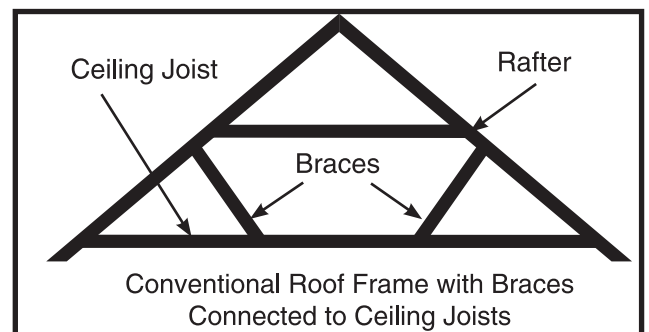
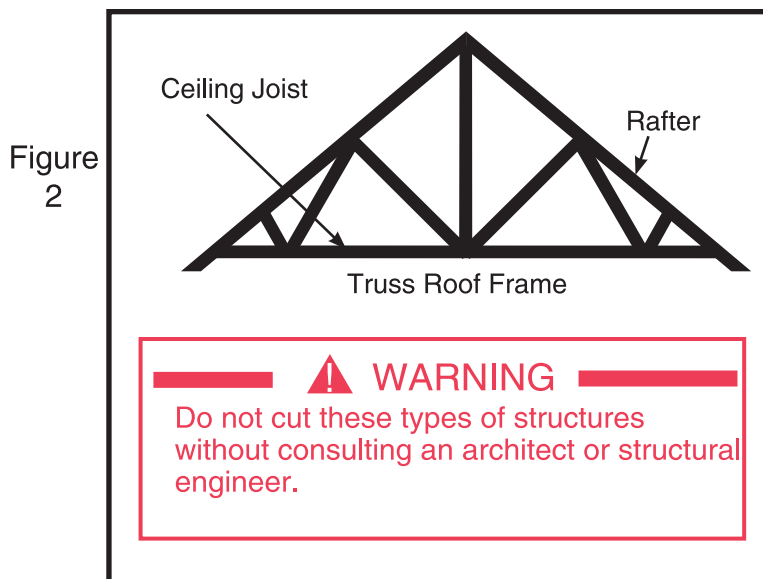


Figure 1

Is your ceiling and joist structure suitable for this installation?



TOOLS AND MATERIALS NEEDED

Materials:

- Several pieces of joist-sized lumber (the amount depends on the specific installation).
- 16d sinker nails or screws of equivalent strength (24 - 60 depending on the specific installation).
- 20d sinker nails or screws of equivalent strength are needed for installation where joists are cut.

Stepladder:

- You need a stepladder that is tall enough so that you can get into the overhead space without stepping above the working height of the stepladder. The working height of the stepladder is two steps down from the top.
- Your stepladder must also have a Duty Rating that is greater than the sum of your weight plus the weight of the attic ladder.



WARNING

Be careful when using a stepladder to climb into and out of the overhead space

Tools For Creating a Rough Opening:

- Flashlight or extension light
- Claw hammer
- Pencil
- Hand saw / power saw
- Tape measure
- Framing square
- Tools to cut a hole in the existing ceiling

Safety Equipment:

- Gloves
- Safety goggles
- Dust mask

FINDING A SUITABLE LOCATION

Before Proceeding: You must have: a suitable ceiling and joist structure, tools and materials needed, and a level flat location in the ceiling.

Goal: To find a location free of hazards and obstructions that will provide room for the installation and use of the attic ladder. Avoid installing attic ladder over other stairs.

Step 1. Pick a potential location for installation. Check that the size of rough opening is 22-1/2" x 54" (99220-001) or 25" x 54" (99250-001) .

Step 2. If there is no ceiling and the attic ladder will fit between the joists so that no joists need to be cut, go to Section 1.6 , page 17, "FRAMING THE ROUGH OPENING".

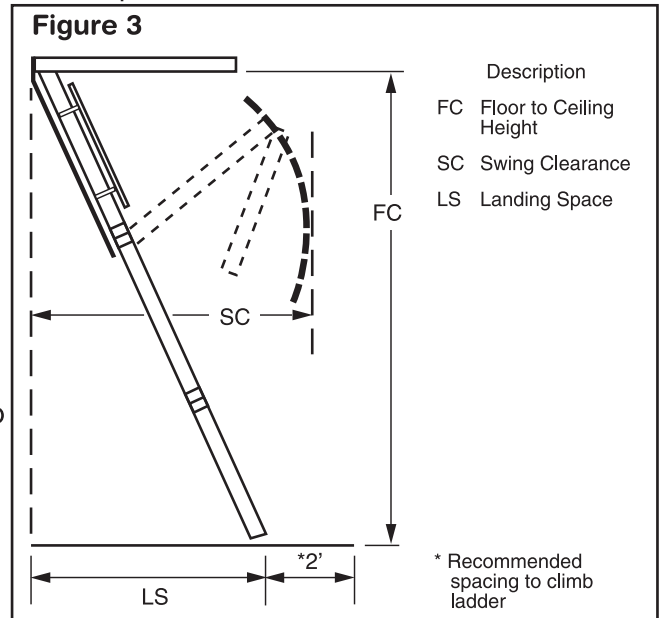
If there is no ceiling, but one or more joists need to be cut, go to Section 1.5, page 16, "CUTTING THE CEILING JOISTS".

If there is a ceiling at this location, you will need to inspect the area above this location as described in steps 3 and 4.

Step 3. Go into the overhead space and find the area above your chosen location.

This area may be located by:

- A) Listening for tapping from below
- B) Measuring distances from walls or other objects common to the overhead space and the room below.



⚠ WARNING

Do not drive metal nails or other conductive objects into the ceiling unless you are sure they will not contact electric wires. Contact with an electric wire can be deadly.

SC	LS	FC
5' 10"	4' 0" to 5' 3"	7' 8" Min. to 10' 3" Max.

Step 4. At this location in the overhead space:

- A) Check that there is enough space for you to safely move around during installation.
- B) Check the overhead space for storage space adjacent to the chosen location. If walking or crawling in the overhead space is desired, make sure that there is enough room to do so.
- C) Check above your chosen location for hazards and obstructions such as:
 - Electric wire
 - Pipes
 - Heating and cooling ducts
 - Furnaces
 - Hot water heaters or other obstructions

NOTE: To check for hazards, you will need to move insulation away from your chosen location. Wear a dust mask, safety goggles and gloves to keep your body covered to prevent fine cuts from fiberglass. Gently push aside insulation to avoid stirring up dust that may be harmful to your eyes and lungs.

⚠ WARNING

For your safety, watch out for overhead hazards.

Do not stand or sit on the ceiling or insulation covering the ceiling - the ceiling is not made to support your weight. You can fall through the ceiling even though it looks solid. Only the joists can support weight.

Watch out for sharp nails sticking through the roof.

Step 5. If any hazards or obstructions are present at your chosen location, look for another location or have the hazards or obstructions moved by professionals (see the Yellow Pages under "Electrical contractors, Heating and Cooling contractors, and Plumbing contractors").

CUTTING A HOLE IN THE CEILING

Before Proceeding: You must have a location that:

- A) Is free of hazards and obstructions in the overhead space.
- B) Is free of hazards in the ceiling.
- C) Provides enough room for installation.
- D) Provides enough room to use the attic ladder.

Goal: To cut a correct sized hole in the ceiling at the desired location.

- Step 1.** Prepare the room by moving furniture, covering flooring with a drop cloth and removing children and pets to a safe distance away.
- Step 2.** Put on safety goggles and a dust mask. These will keep pieces of ceiling particles and dust from falling into your eyes, mouth or nose as you make a starter hole and cut into the ceiling.
- Step 3.** With a hammer and chisel, make a starter hole near the center of the chosen location (See Figure 4).
- Step 4.** Enlarge the opening with a saw until you can see a joist (See Figure 5).
- Step 5.** Draw a rectangle the size of the rough opening on the ceiling, the size of the rough opening must be 22-1/2" x 54" (99220-001) or 25" x 54" (99250-001), with one edge parallel to a joist (See Figure 6). You may do this by sawing until you reach a joist and use it as a frame of reference. Note: Locating at least one edge of the opening along a ceiling joist will allow the joist to be used as a side of the frame you will build. This will simplify framing the rough opening.
- Step 6.** Cut out the rest of the ceiling within the marked outline following these instructions:
- A) **Do not cut any joists at this time.** Cut through the ceiling only.
 - B) Remove the ceiling in small pieces because ceiling material can be very heavy.
- Step 7.** If no joists span the hole in the ceiling, go to Section 1.6, page 17 "FRAMING THE ROUGH OPENING". If any joists span the hole, go to Section 1.5, page 16 "CUTTING THE CEILING JOISTS".

⚠ WARNING

Do not saw, cut, or hammer into the ceiling until you are sure that the location is free of hazards and obstructions in the ceiling and attic. Contact with an electric wire can be deadly.

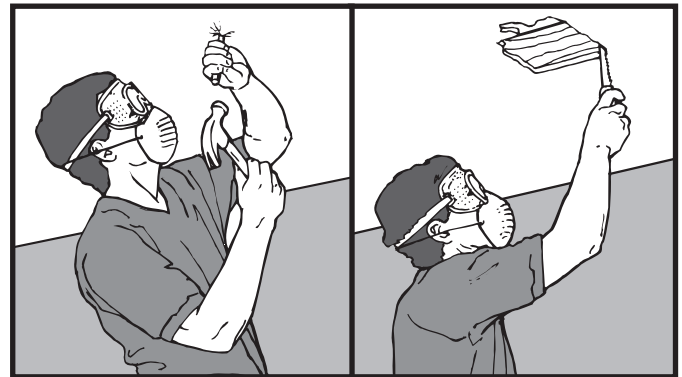


Figure 4

Figure 5



Figure 6

CUTTING THE CEILING JOISTS

Before Proceeding: You must have either: Exposed joists or a correctly sized hole at the desired ceiling location.

Goal: To cut out any joists that are in the way of your chosen location. Before cutting the joists, you must attach them to other joists in the overhead attic to keep the ceiling from sagging or completely collapsing.

Step 1. If the room has a ceiling and you have cut the required hole, go to Step 2.

If the room has no ceiling, you will need to mark the joists according to paragraph (A) or (B) below.

(A) If the chosen location is parallel to the joists, mark the rough opening length on top of the joists (See Figure 7).
Do not cut the joist at this mark.

(B) If the chosen location is perpendicular to the joists, mark the rough opening width on top of the joists (See Figure 8).
Do not cut the joist at this mark.

Step 2. Cut (2) joist-sized boards long enough to span (2) joists on each side of your chosen location (See Figure 9).

These boards will support the joists that will be cut and help keep the ceiling from sagging or completely collapsing while you are working in the overhead space.

Step 3. Place these boards approximately 24" from the edge of your chosen location and nail (See Figure 9).

Note: The 24" distance is needed to give you room to hammer nails into the frame that you will build in the next section.

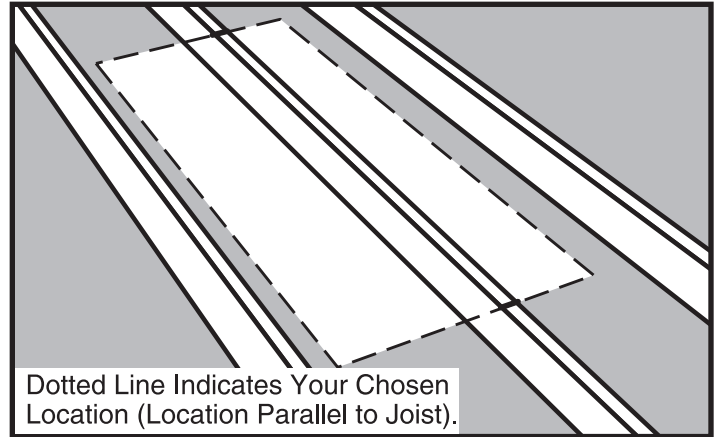


Figure 7

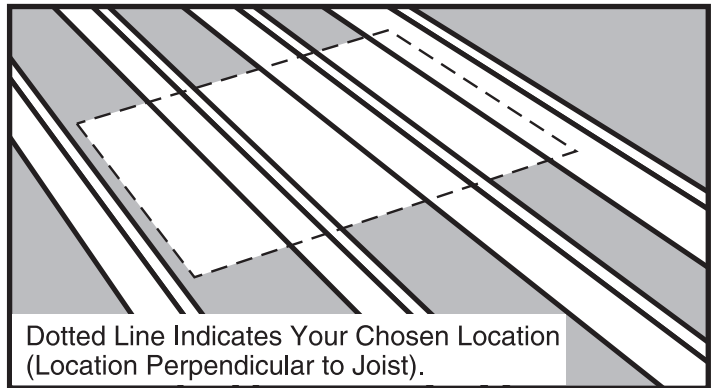


Figure 8

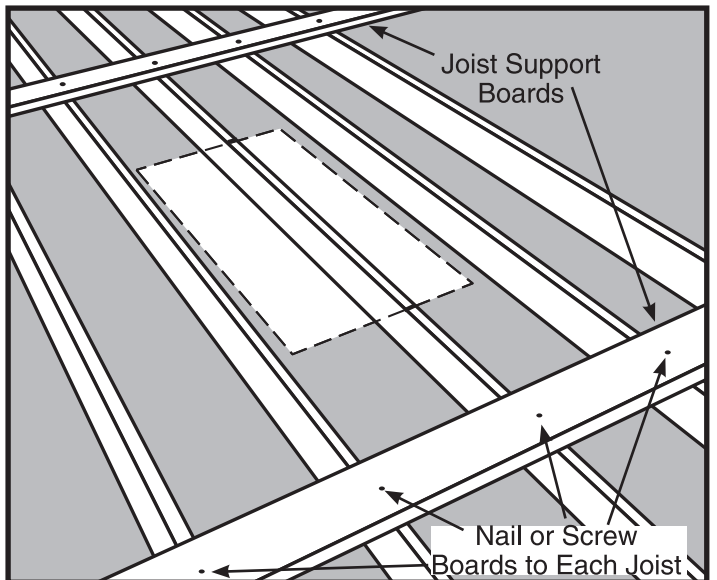


Figure 9

CUTTING CEILING JOISTS

STEP 4. Determine where the joist(s) should be cut. Figure 10 shows where to mark the joist(s) that span your chosen location. Note that the joist(s) should be marked back from the edge of your location a distance of 2 times the joist thickness (usually three inches). This leaves room for two joist-sized headers to be placed against each end of the cut joist(s) (See Figure 16 on page 19).

Note: In some homes, especially older ones, the joists may be slightly thicker than the lumber you can currently buy. If your joists have a different thickness than the lumber you will be using for the headers, you will need to mark the joists back from the edge of your location a distance of two times the header thickness instead of the joist thickness.

STEP 5. Saw through the joist(s) being careful not to cut through the ceiling and making sure the cut ends of the joist(s) are flat and vertical.

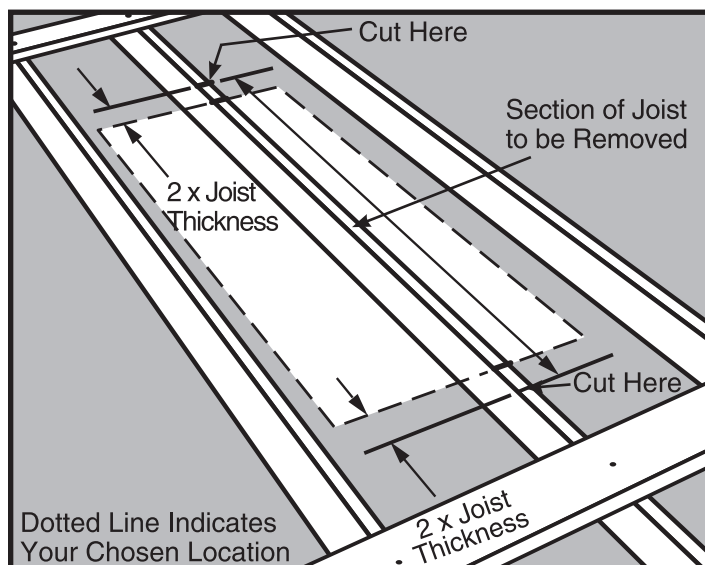


Figure 10

FRAMING THE ROUGH OPENING

Before Proceeding: You should have a space between the joists at least as large as the rough opening shown on the box. Any cut joists must be attached to uncut joists.

Goal: To create a four-sided frame the size of the rough opening using joist-sized lumber. This frame will be made of single or double thickness headers and stringers depending upon the particular installation. The frame is necessary to support the attic ladder and to reinforce the roof and ceiling structure.

WARNING

For your safety, watch out for overhead hazards.

Do not stand or sit on the ceiling or insulation covering the ceiling — the ceiling is not made to support your weight. You can fall through the ceiling even though it looks solid! Only the joists can support weight. To avoid falling through the ceiling, you may want to make a working platform by laying boards across the joist. Watch out for sharp nails sticking through the roof.

FRAMING THE ROUGH OPENING

Installing Headers

If no joists have been cut, go to “Single Headers” below.

If any joists have been cut, go to “Double Headers” on page 19.

Single Headers

- STEP 1.** Measure the header length “H” between the joists (See Figure 11).
- STEP 2.** Cut 2 headers this length. Use joist-sized lumber.
- STEP 3.** Place one of these headers at one end of your chosen location (See Figure 12). The header must fit snugly between the joists. Hammer it into position if necessary; if it is more than 1/16” too long, trim it. If it is more than 1/16” too short, cut another piece.
- STEP 4.** Square the header to one joist and drive (3) 16d nails through the joist and into the header. Check for squareness and drive (3) 16d nails through the other joist and into the header (See Figure 12). **It is very important that header board is vertically plumb as well as horizontally square to side joists.**
- STEP 5.** Position the second header 54” from the first one and repeat Step 4 (See Figure 13).
- STEP 6.** The frame for the rough opening requires four sides. The headers make up two of those sides. If your ceiling joists are spaced so that they make up the other two sides of the rough opening, check the opening for squareness by measuring across the diagonals. The measurements should be within 1/8” to be considered square (See Figure 13).
If your ceiling joists do not make up the other two sides of the rough opening, you need to install one or two additional pieces of lumber to frame the other side(s) of the rough opening, go to “Installing Stringers” on page 20.

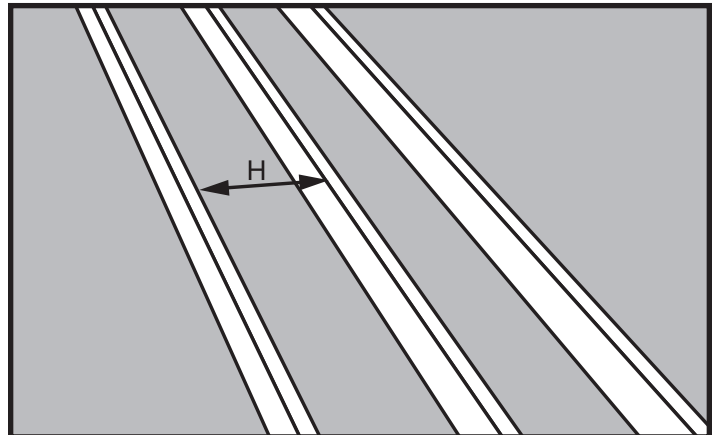


Figure 11

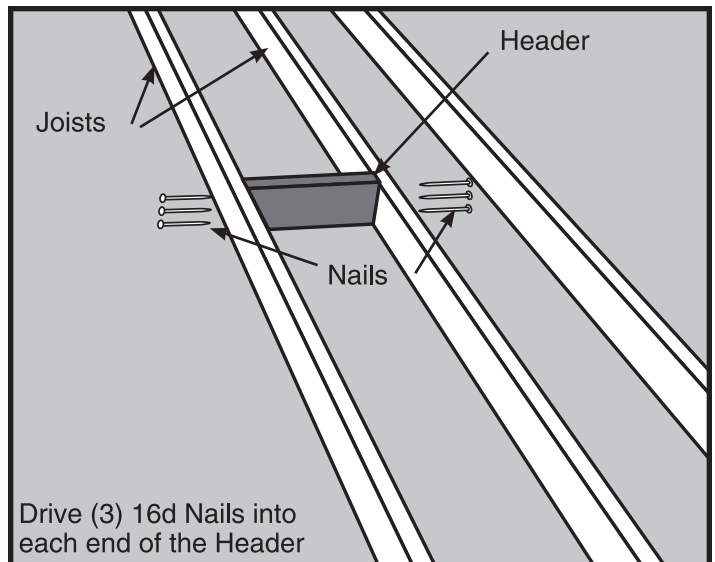


Figure 12

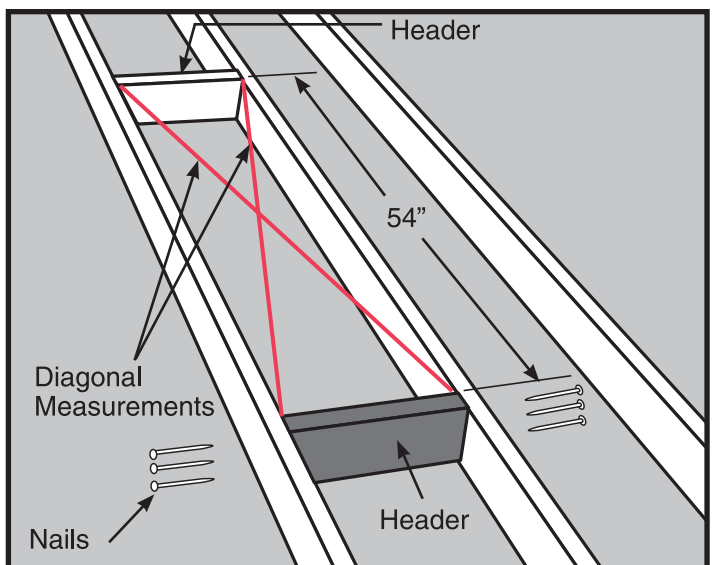


Figure 13 How to check for square

FRAMING THE ROUGH OPENING

Double Headers

- STEP 1.** Measure the header length “H” between the uncut joists (See Figure 14).
- STEP 2.** Cut 4 headers this length. Use joist-sized lumber.
- STEP 3.** Place one of these headers against the end of the cut joist(s) (See Figure 15). It must fit snugly between the uncut joists. Hammer it into position if necessary; if it is more than 1/16” too long, trim it. If it is more than 1/16” too short, cut another piece.
- STEP 4.** Square the header to the uncut joist and nail the header to the end of the cut joist(s) with (3) 16d nails (See Figure 15).
- STEP 5.** Check header for squareness then drive (3) 16d nails through each joist into each end of the header (See Figure 15).
- STEP 6.** Place a second header against the first header and nail it to the first header with (3) 16d nails between each joist (See Figure 16).
- STEP 7.** Drive (3) 16d nails through the joists into each end of the second header (See Figure 16).
- STEP 8.** Repeat steps 3-7 to install headers at the opposite end of the opening.
- STEP 9.** To frame the other side(s) of the rough opening, go to “Installing Stringers” on the next page.
- STEP 10.** Remove temporary support boards.

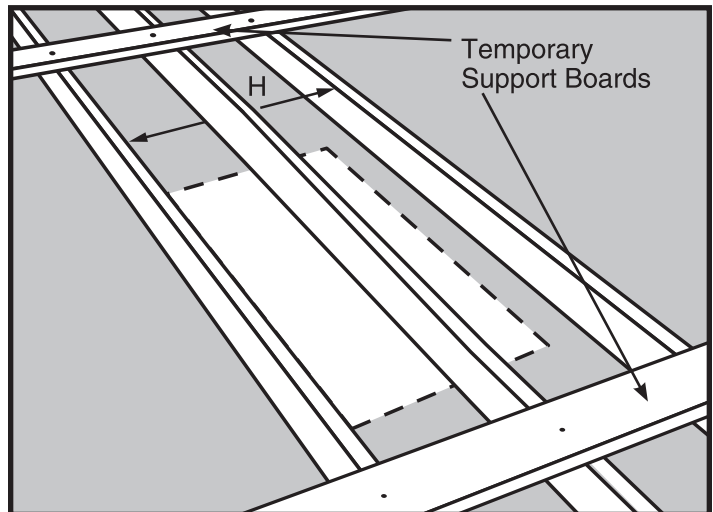


Figure 14

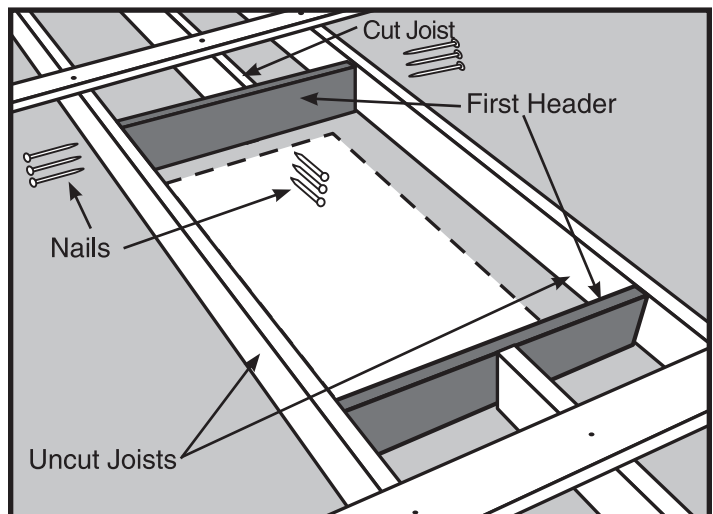


Figure 15

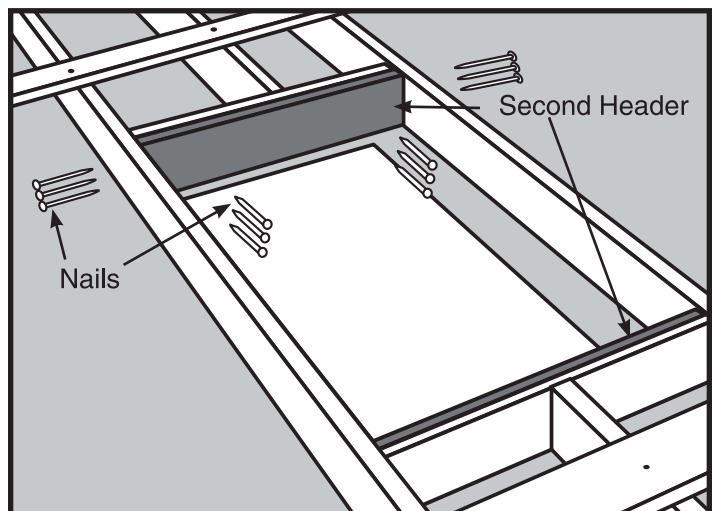


Figure 16

FRAMING THE ROUGH OPENING

Installing Stringers

- STEP 1.** Measure the stringer length “S” between the headers (See Figure 17).
- STEP 2.** Cut a stringer to this length. Use joist-sized lumber.
- STEP 3.** If the ceiling joist does not provide one side of the frame, then cut a second stringer the same length as the first one. Note that only one stringer is needed in Figure 17 because the ceiling joist provides one side of the frame.
- STEP 4.** Position the stringer(s) along the unframed side(s) of your location (See Figure 18). Check that the inside dimensions of the frame are 22-1/2” x 54” (99220-001) or 25” x 54” (99250-001).
- STEP 5.** To attach the stringer(s) to the headers, use nails that are long enough to go through both headers and into the stringer at least one inch. Square the stringer(s) to the headers at one end and drive (3) 16d nails through the headers and into the stringer. Check for squareness, then nail the other end. Check the rough opening for squareness by measuring across the diagonals. **The two measurements should be within 1/8” to be considered square** (See Figure 18).

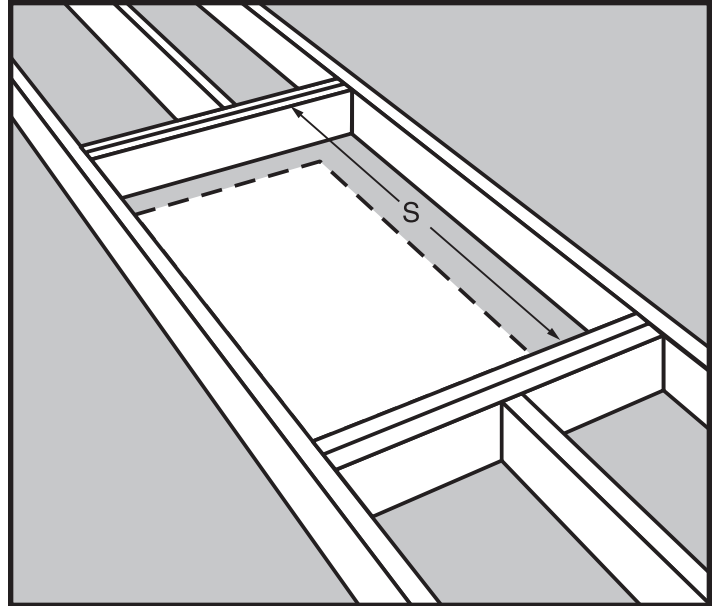


Figure 17

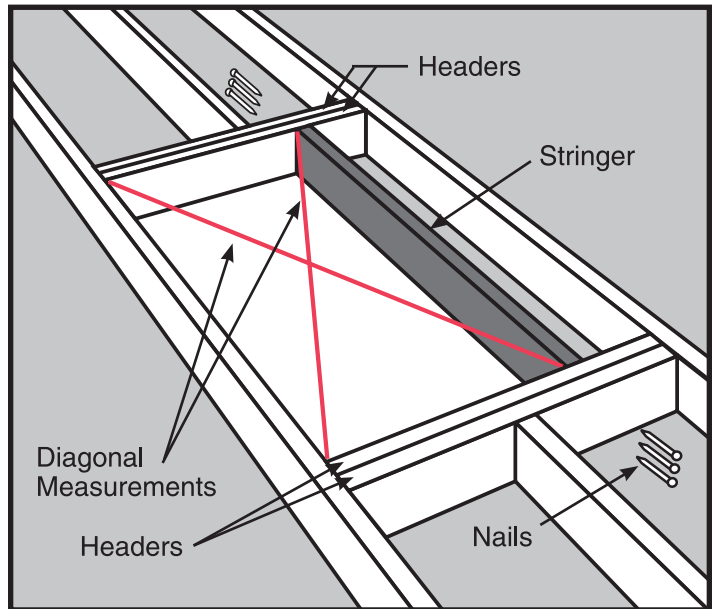


Figure 18

**YOUR ROUGH OPENING IS PREPARED
PROCEED TO STEP #1 - PREPARING EXISTING ATTIC
LADDER OPENING FOR INSTALLATION**

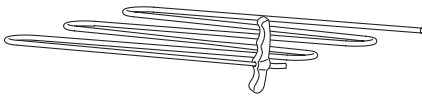
Replacement Parts For 99210-001&99250-001 Aluminum Attic Ladders

HARDWARE KIT

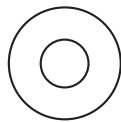
(1) Ladder Assembly Instruction Manual



(1) Rope Assembly



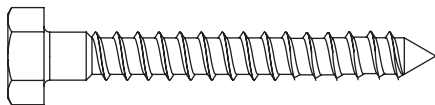
(13) 1/4" Washers



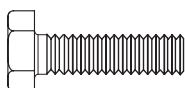
(2) 1/4"-20 Lock Nut



(12) 1/4"-20 Lag Bolt
3" Long



(2) 1/4"-20 Hex Head Cap
Screws 3/4" Long



STRUT REPLACEMENT KIT

(1) Instruction Sheet

(2) Gas Strut Assembly



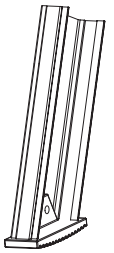
(4) Metal Straps



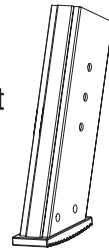
FOOT REPLACEMENT KIT

(1) Instruction Sheet

(1) Left Foot
Assembly



(1) Right Foot
Assembly



(2) 1/4"-20 Lock Nut



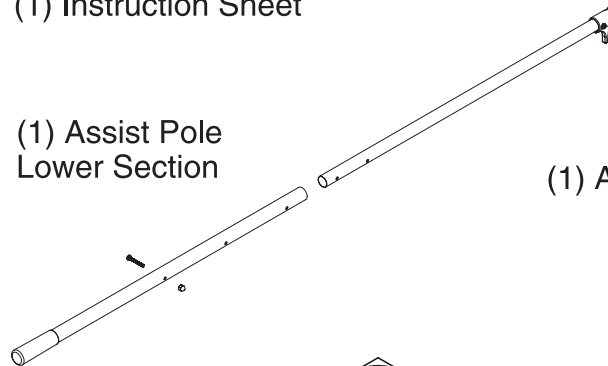
(2) 1/4"-20 Hex Head Cap
Screws
3/4" Long



ASSIST POLE KIT

(1) Instruction Sheet

(1) Assist Pole
Lower Section



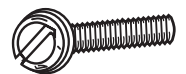
(1) Assist Pole
Upper Section

(1) Assist Pole Bracket

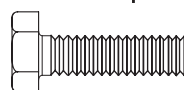
(2) 1/4"-20
Lock Nut



(1) Machine Screw



(2) 1/4"-20 Hex Head Cap
Screws
3/4" Long



(1) Acorn Nut



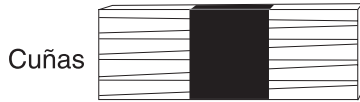
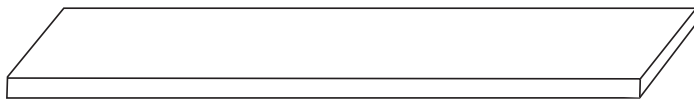
NO RETIRE LA CUERDA DE NILÓN QUE MANTIENE UNIDAS LAS SECCIONES DE LA ESCALERA HASTA QUE SE INDIQUE

MATERIALES ADICIONALES NECESARIOS

(10) Tornillos para cubierta Nº 8, 50.8 mm (2")



Tablas de soporte temporario, 1 x 4
(2 unidades de 81.2 cm (32") de longitud aproximadamente)

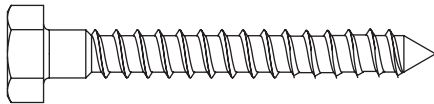


HERRAMIENTAS NECESARIAS

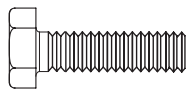
- Escuadra de carpintero
- Taladro
- Martillo
- Sierra para metales
- Broca para taladro, 3.2 mm (1/8")
- Broca para taladro, 7.1 mm (9/32")
- Lápiz
- Escalera tipo tijera
- Cinta métrica
- Llave, 11.1 mm (7/16") (2)
- Destornillador Phillips

SUJETADORES INCLUIDOS

(12) tirafondos de cabeza hexagonal de 6.4 mm (1/4"), longitud 76.2 mm (3")



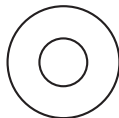
(2) tornillos de cabeza hexagonal 1/4"-20, longitud 19.1 mm (3/4")



(2) tuercas de seguridad 1/4"-20

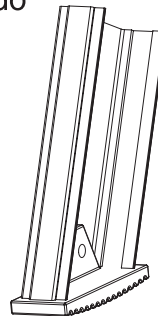


(13) arandelas de 6.4 mm (1/4")

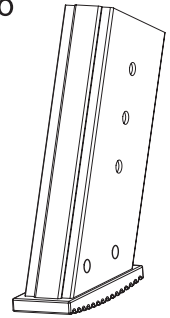


COMPONENTES INCLUIDOS

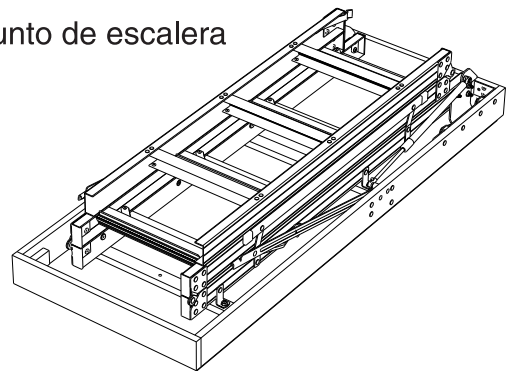
(1) conjunto de pie izquierdo



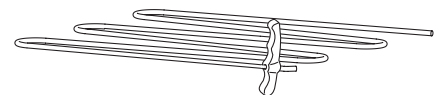
(1) conjunto de pie derecho



(1) conjunto de escalera



(1) conjunto de cuerda de halado



ANTES DE COMENZAR:

Lea las instrucciones en su totalidad antes de comenzar.

Esto es necesario para asegurar que usted tenga una ubicación adecuada para la escalera de ático, y la capacidad para instalarla en forma segura y correcta.

¿Puede instalar esta escalera de ático?

Para instalar esta escalera de ático usted debe tener destrezas de aserrado, escuadreo y alineación similares a las que se requieren para instalar el marco de una puerta o una ventana. Si no tiene estas destrezas, debe contratar a un carpintero profesional para que instale esta unidad (vea en las páginas amarillas ‘Contratistas de construcción, Carpinteros, Constructores, Mejoras en el hogar, o Contratistas en general’).

¿Esta escalera de ático satisface sus necesidades?

Esta escalera de ático es para uso residencial únicamente. La instalación de esta escalera de ático en departamentos y edificios comerciales puede estar en infracción a los códigos de edificación que requieran cielorrasos con especificación contra incendio, y prohíban el almacenamiento de materiales en el espacio superior. Antes de instalar la escalera de ático consulte con su jefe de bomberos o departamento de edificación local.

La capacidad de la escalera de ático (una persona más los materiales que lleva) es 158 kg (350 lb.).

Esta escalera de ático está hecha para la gama de alturas de cielorraso de 2.34 m (7'8") a 5.94 m (10'3"). No instale la escalera de ático en un cielorraso que tenga una altura que esté fuera de esa gama. La alteración de la escalera de ático para adaptarse a otras alturas es insegura.

a. Para ahorrar tiempo y prevenir accidentes, antes de comenzar la instalación inspeccione la escalera de ático para verificar si hubo algún daño durante el transporte.

- **Revise el panel de la puerta de madera para ver si hay grietas y alabeo**
- Revise todas las piezas metálicas para ver si hay daños, como combas y rajaduras
- Verifique que todos los remaches estén firmes

Si hubiera elementos faltantes o dañados, póngase en contacto con el punto de venta o con el servicio al cliente de Co.

b. Usted debe tener

- 2 personas que puedan levantar la escalera de ático de 22.7 kg (50 lb.) hasta el espacio superior.

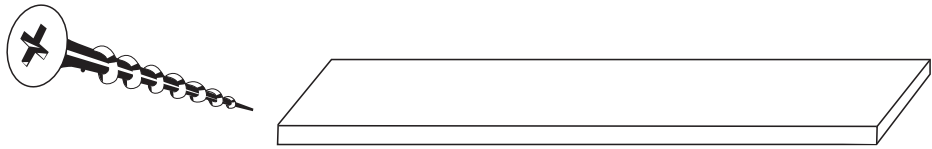
c. Usted debe tener

- Una abertura sin terminar de 57.1 cm (22-1/2") x 137.1 cm (54") para 99220-001, y 63.5 cm (25") x 137.1 cm (54") para 99250-001 en el cielorraso.
Si no fuera así pase al Apéndice, Sección 1.1, página 32.

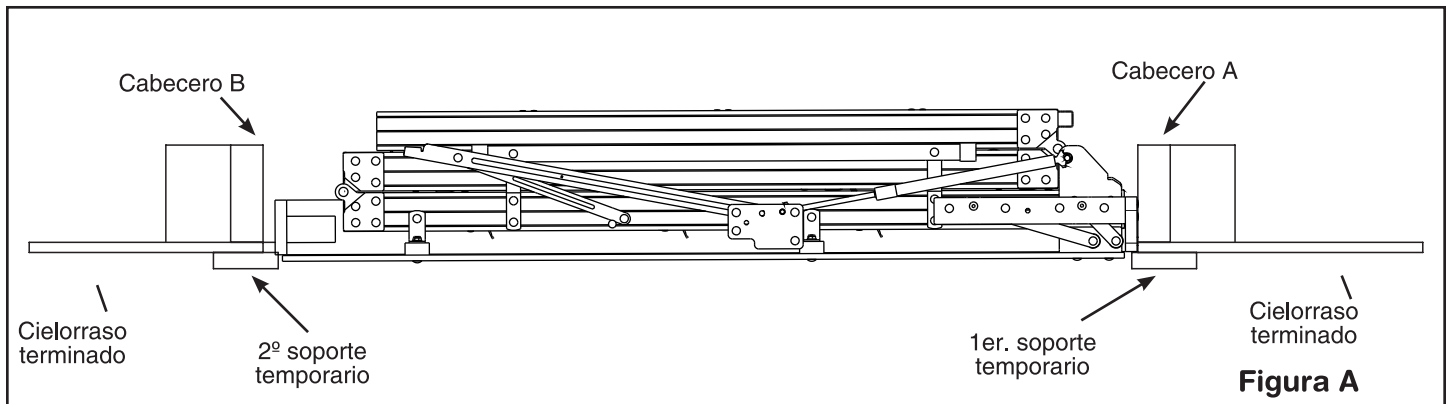
d. Verifique los requisitos de espacio libre:

- Vea el Apéndice, Sección 1.3, Figura 3, página 34

Paso 1: PREPARACIÓN DE LA ABERTURA EXISTENTE PARA LA ESCALERA DE ÁTICO PARA LA INSTALACIÓN

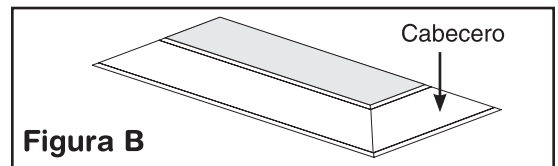
MATERIALES ADICIONALES NECESARIOS		HERRAMIENTAS NECESARIAS
(6) Tornillos para cubierta Nº 8, 50.8 mm (2")	Tableros de soporte temporario, 1 x 4 (2 unidades de 81.2 cm (32") de longitud aproximadamente)	Escalera tipo tijera Martillo Cinta métrica Lápiz Escuadra de carpintero Taladro Destornillador Phillips
		

Luego de completar los pasos 1 y 2, el marco de su escalera quedará instalado a ras de la cara inferior del cielorraso terminado.

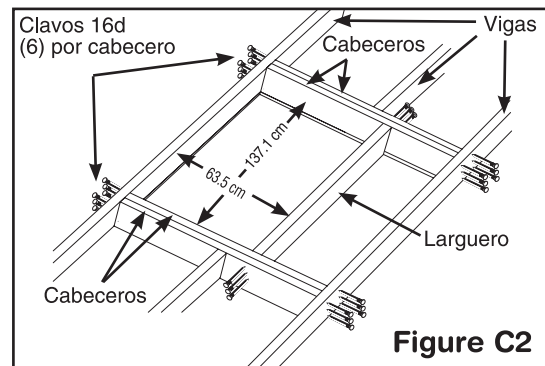
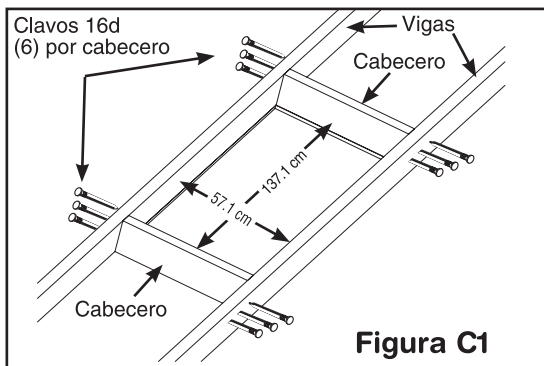


1. PREPARACIÓN DE LA ABERTURA EXISTENTE (vea la Figura B):

- Retire toda moldura y elemento metálico que rodee la abertura.
- Inspeccione la abertura para escalera de ático existente, para asegurarse de que cumpla con los requisitos mínimos de construcción y sus medidas sean 57.1 cm (22-1/2") x 137.1 cm (54") (99220-001 Figura C1) o 63.5 cm (25") x 137.1 cm (54") (99250-001 Figura C2).
- Si fuera necesario modificar o crear una nueva abertura, consulte el Apéndice, Sección 1.1, página 32.



Para obtener los mejores resultados, asegúrese de que la zona del cielorraso que rodea a la abertura sea plana y esté en buen estado, y que todos los lados de la abertura sean planos, y estén a plomo y en buen estado.



Paso 1 (continuación)

PREPARACIÓN DE LA ABERTURA EXISTENTE PARA LA ESCALERA DE ÁTICO PARA LA INSTALACIÓN

2. COLOCACIÓN DE LAS TABLAS DE SOPORTE TEMPORARIO:

Es necesario sostener en forma temporaria la escalera en la abertura preliminar preparada, mediante tablas de 1 x 4 x 32" (81.2 cm) que se extiendan de borde a borde a través de cada extremo de la abertura. Las tablas forman una cornisa que sostiene la escalera hasta que se la asegure en forma permanente. Es importante tener cuidado al posicionar las tablas.

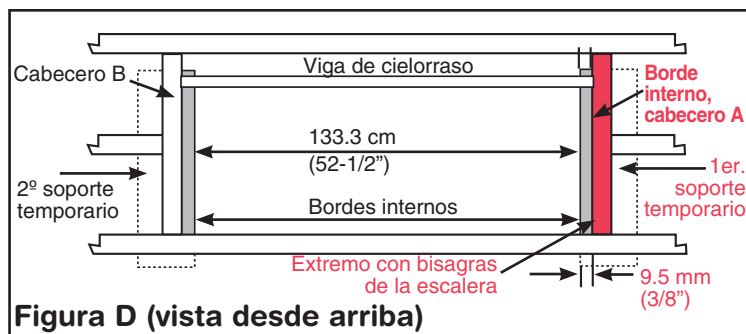


Figura D (vista desde arriba)

- a. Asegure el primer soporte temporal a 9.5 mm (3/8") del borde interno del cabecero 'A'. El cabecero 'A' es el extremo en el que va a colocarse la bisagra de la escalera. Asegúrese de que los tres (3) tornillos penetren en el cabecero. (Vea las Figuras D y E).
- b. Midiendo desde el borde interno del primer soporte temporal, asegure el segundo soporte temporal de modo que el borde interno esté a 133.3 cm (52-1/2") del borde interno del primer soporte temporal. (Vea la Figura D).
- c. Asegúrese de que tanto el primero como el segundo soporte temporal estén asegurados firmemente en los cabeceros respectivos. (Vea la Figura E).

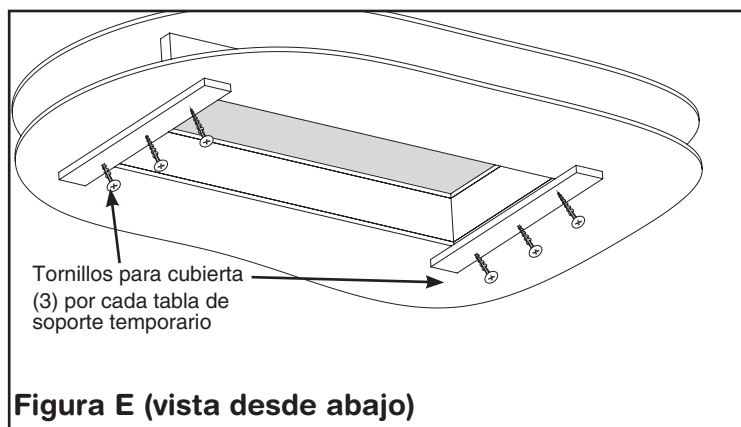


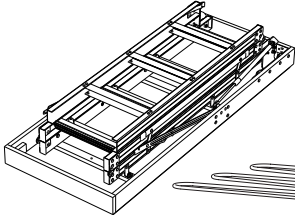
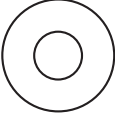


Figura E (vista desde abajo)

⚠ ADVERTENCIA
 Asegúrese de que las tablas de soporte temporal estén separadas 133.3 cm (52-1/2") en ambos lados de la abertura.
 Si las tablas de soporte temporal no están espaciadas correctamente, es probable que la escalera de ático caiga desde el cielorraso.

⚠ ADVERTENCIA
 Las tablas de soporte deben estar sujetadas firmemente para sostener en forma temporaria el peso de la escalera cuando se la coloca en la abertura preliminar.

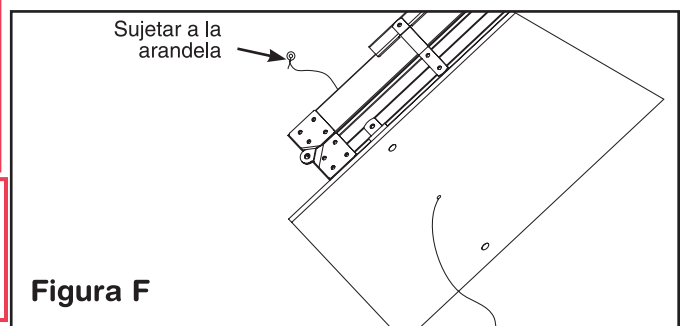
SU ABERTURA PARA ESCALERA DE ÁTICO ESTÁ AHORA PREPARADA PARA LA INSTALACIÓN. CONTINÚE CON EL PASO 2: COLOCACIÓN DE LA ESCALERA EN LA ABERTURA PREPARADA

Paso 2: COLOCACIÓN DE LA ESCALERA EN LA ABERTURA PREPARADA

COMPONENTES INCLUIDOS	SUJETADORES INCLUIDOS	MATERIALES ADICIONALES NECESARIOS	HERRAMIENTAS NECESARIAS
(1) conjunto de escalera  (1) cuerda de halado	(1) arandela 1/4"-20 	Cuñas  (4) Tornillos para cubierta N° 8, 50.8 mm (2") 	Escalera tipo tijera Cinta métrica Martillo Taladro Destornillador Phillips

ADVERTENCIA
 NO retire la cuerda de nilón que mantiene unidas las secciones de la escalera hasta después de que la escalera haya estado correctamente instalada y asegurada.

ADVERTENCIA
 Tenga cuidado cuando utilice una escalera tipo tijera para entrar y salir del espacio superior

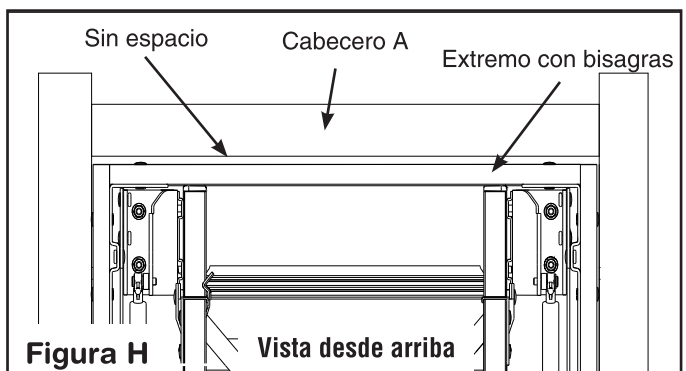
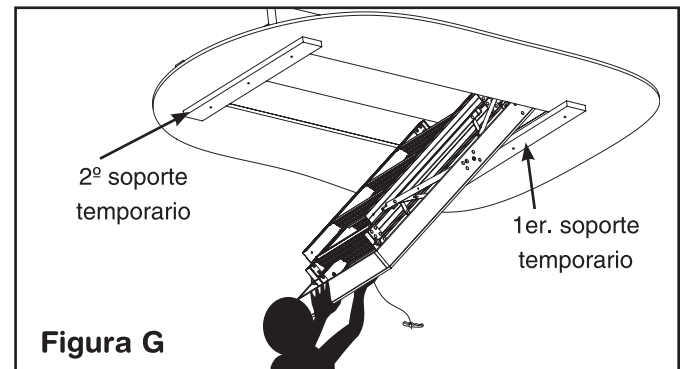


1. COLOCACIÓN DE LA CUERDA DE HALADO (vea la Figura F):

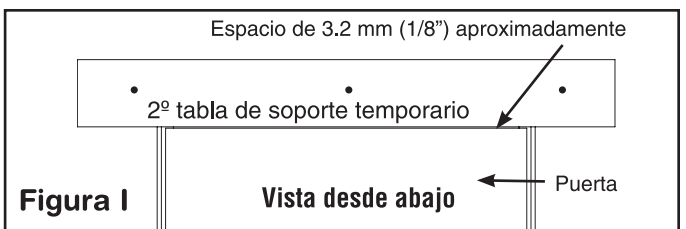
- Pase el extremo pequeño de la cuerda de halado suministrado a través del agujero previamente taladrado de la puerta, y sujételo a la arandela. Usted puede ajustar la longitud de la cuerda de halado después de que la escalera esté completamente instalada.

2. ELEVACIÓN DE LA ESCALERA EN LA ABERTURA SIN TERMINAR:

- Una persona debe estar en el ático antes de elevar la escalera.
- Eleve la escalera a través de la abertura sin terminar en forma oblicua, para que la escalera no interfiera con las tablas de soporte temporario. (Vea la Figura G).
- Posicione la escalera en la abertura sin terminar de modo que se apoye firmemente sobre las tablas de soporte temporario. Deslice la escalera de modo que el extremo con bisagras del marco de madera esté apoyado firmemente contra el cabecero 'A' (vea la Figura H). Asegúrese de que la puerta de madera laminada no esté impedida de abrirse por las tablas de soporte (vea la Figura I). Si está obstruida, revise la posición de las tablas de soporte en el paso 1.

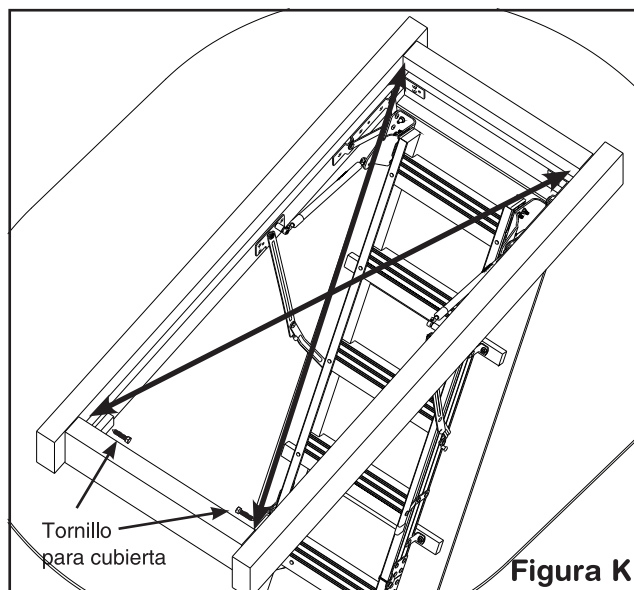
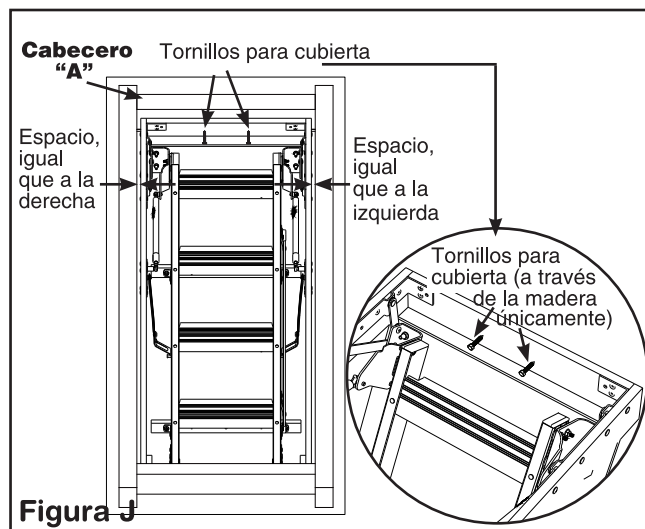


ADVERTENCIA
 No coloque ningún peso sobre la escalera hasta que esté instalada en forma permanente en el paso 2, página 28.
 La persona que está en el espacio superior debe permanecer allí hasta que la instalación haya finalizado.



3. ESCUADREO DE LA ESCALERA EN LA ABERTURA:

- a. Centre el extremo con bisagras de la escalera en el cabecero "A" de modo que haya igual espacio en ambos lados (vea la Figura J). Inserte dos (2) tornillos (vea la Figura J), para sujetar el marco al cabecero "A". Los tornillos deben pasar a través del marco de madera únicamente. Los agujeros de la placa de la bisagra de acero son para utilizar en el paso 3.
- b. Abra la puerta de la escalera tirando de la cuerda en línea recta hacia abajo. Las secciones de la escalera deben permanecer plegadas con las cuerdas de nilón sujetadas.
- c. Coloque cuñas en el marco si es necesario, en las ubicaciones de las esquinas (vea la Figura K) de modo que las dos dimensiones diagonales sean iguales. El marco es cuadrado cuando las dimensiones son iguales. Si no puede lograrse mediante las cuñas que las dimensiones difieran en menos de 3.2 mm (1/8"), es posible que se necesite repositionar el extremo con bisagras de la escalera (vea la Figura K).

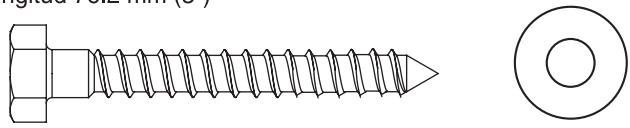
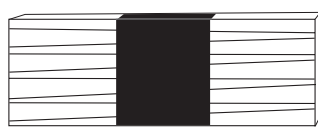


Si no se escuadra correctamente el marco, puede ser que la escalera se cierre en forma oblicua. Si esto ocurre, puede haber contacto entre el marco y la escalera, lo que hará que la puerta no cierre correctamente. Revise el marco para verificar su escuadra, midiendo las diagonales (vea la Figura K). Las dos dimensiones deben diferir en menos de 3.2 mm (1/8") para que el conjunto se considere a escuadra.

- d. Inserte dos (2) tornillos, como se muestra, en el extremo opuesto de la bisagra, para sostener las cuñas en su posición. No inserte los tornillos a través de los bloques. (Figura K)

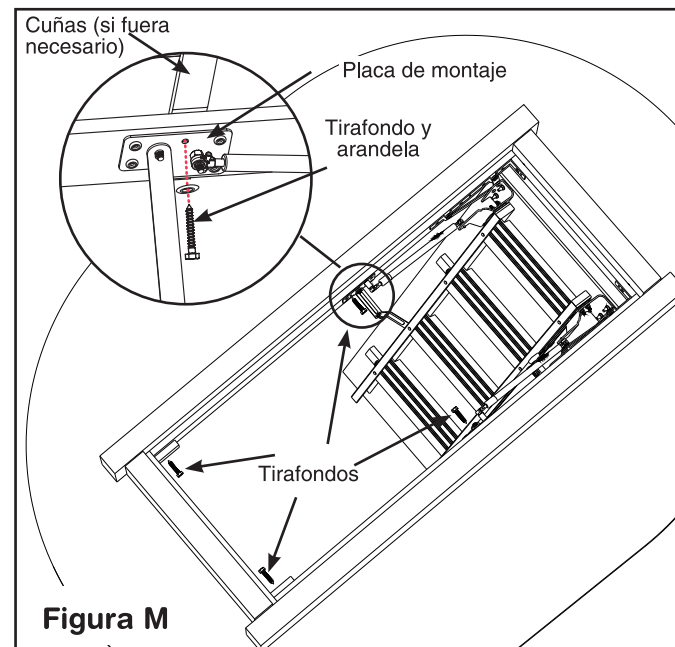
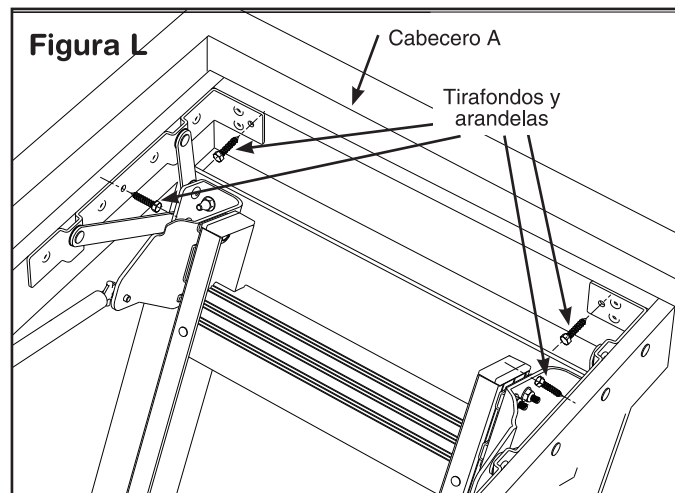
SU ESCALERA DE ÁTICO HA SIDO COLOCADA CORRECTAMENTE EN LA ABERTURA PREPARADA.
CONTINÚE CON EL PASO 3: MONTAJE PERMANENTE DE LA ESCALERA.

Paso 3: MONTAJE PERMANENTE DE LA ESCALERA

SUJETADORES INCLUIDOS	MATERIALES ADICIONALES NECESARIOS	HERRAMIENTAS NECESARIAS
<p>(12) Tirafondos de cabeza hexagonal de 6.4 mm (1/4"), longitud 76.2 mm (3")</p> <p>(12) Arandelas de 6.4 mm (1/4")</p> 	<p>Cuñas</p> 	<p>Escalera tipo tijera Taladro Broca para taladro, 3.2 mm (1/8") Llave, 11.1 mm (7/16") (1) Martillo</p>

1. FIJACIÓN DE LA ESCALERA EN LA ABERTURA SIN TERMINAR:

- a. Haga un taladrado previo de cuatro (4) agujeros de guía de 3.2 mm (1/8") e instale cuatro (4) tirafondos de cabeza hexagonal de 6.4 mm x 76.2 mm (1/4" x 3") en el Cabecero "A", utilizando la placa de la bisagra como plantilla (vea la Figura L). Deben utilizarse cuatro (4) arandelas de 6.4 mm (1/4") debajo de las cabezas de los tirafondos.
- b. Si fuera necesario, coloque cuidadosamente cuñas detrás de las placas de montaje (vea el detalle de la Figura M). No arquee los lados del marco de la escalera con las cuñas. Haga un taladrado previo de dos (2) agujeros de guía de 3.2 mm (1/8") e instale dos (2) tirafondos de cabeza hexagonal de 6.4 mm x 76.2 mm (1/4" x 3") en las placas de montaje. Deben utilizarse dos (2) arandelas de 6.4 mm (1/4") debajo de las cabezas de los tirafondos (vea la Figura M).
- c. Haga un taladrado previo de cuatro (4) agujeros de guía de 3.2 mm (1/8") aproximadamente, como se muestra. Instale cuatro (4) tirafondos de cabeza hexagonal de 6.4 mm x 76.2 mm (1/4" x 3"). Deben utilizarse cuatro (4) arandelas de 6.4 mm (1/4") debajo de las cabezas de los tirafondos.
- d. Asegúrese de que la puerta cierre sin interferencia. Vuelva a ajustar las cuñas si fuera necesario.



Recorte la porción de las cuñas que sobresale por arriba y por debajo del marco. **Las cuñas que sobresalen por encima del marco significan un riesgo de tropiezo y caída, por lo que deben recortarse.**

2. RETIRE LAS TABLAS DE SOPORTE TEMPORARIO

SU ESCALERA DE ÁTICO SE HA MONTADO EN FORMA PERMANENTE EN LA ABERTURA. CONTINÚE CON EL PASO 4: AJUSTE DE LA ALTURA DE LA ESCALERA.

Paso 4: AJUSTE DE LA ALTURA DE LA ESCALERA

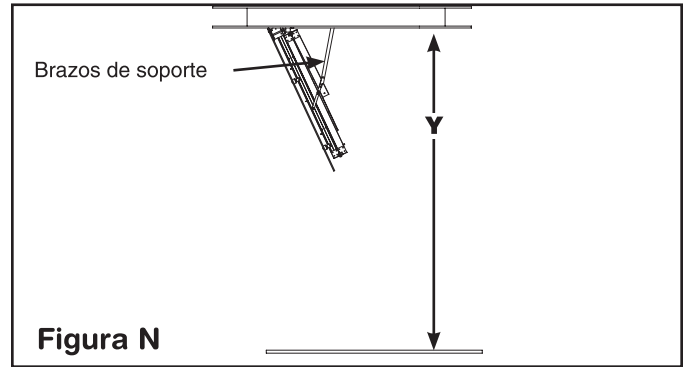
HERRAMIENTAS NECESARIAS

Sierra para metales
Cinta métrica
Lápiz

Escuadra de carpintero

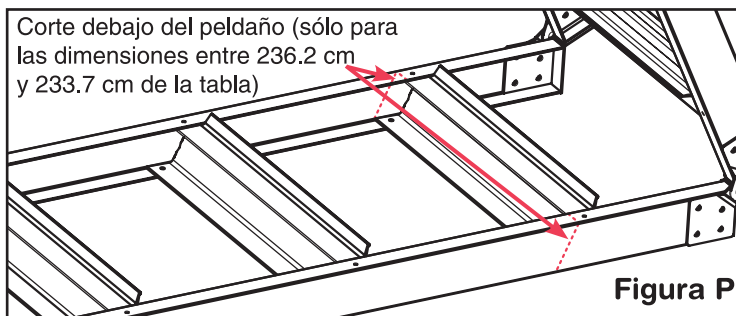
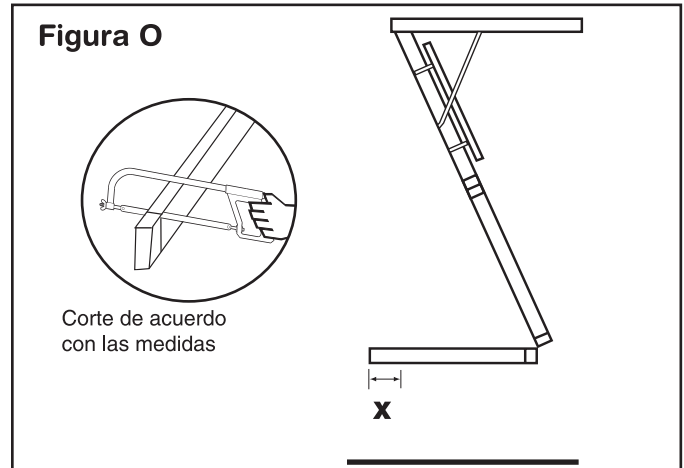
La sección inferior de la escalera puede requerir un recorte y ajuste de los pies a la altura correcta.

1. TOMA DE MEDIDA (vea la Figura N):
 - a. Con la escalera sin extender en la posición totalmente abierta, mida la altura 'Y' desde la cara inferior del marco de madera de la escalera de ático hasta el piso. Antes de continuar con el próximo paso, consulte la Tabla 1.



ADVERTENCIA
La escalera de ático debe ajustarse para que alcance la altura correcta cuando se instale. Si no se hace así, pueden producirse daños en la escalera y el usuario puede sufrir lesiones.

2. RECORTE DE LA SECCIÓN INFERIOR:
 - a. Retire la cuerda de nilón que mantiene unidas las secciones de la escalera.
 - b. Pliegue la sección inferior de la unidad debajo de la sección media (vea la Figura O).
 - c. Mida la distancia de corte requerida 'X', definida en la Tabla 1, desde la cara inferior de la sección inferior, y marque una línea recta perpendicular a la barandilla mediante un lápiz y una escuadra de carpintero (vea la Figura O).
 - d. Corte con una sierra para metales la parte sobrante de la sección inferior, en la línea marcada en el paso c.
 - e. Extienda la sección inferior de la unidad hasta la posición abierta.

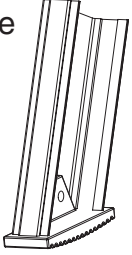
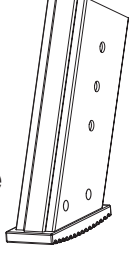
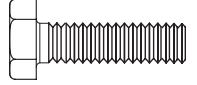



Distancia 'Y' Si su altura es menor que:	Pero mayor o igual a:	'X' El corte es:	Distancia 'Y' Si su altura es menor que:	Pero mayor o igual a:	'X' El corte es:
	312.4 cm	0 cm	274.3 cm	271.8 cm	43.8 cm
312.4 cm	309.9 cm	2.5 cm	271.8 cm	269.2 cm	47.0 cm
309.9 cm	307.3 cm	5.1 cm	269.2 cm	266.7 cm	49.5 cm
307.3 cm	304.8 cm	7.6 cm	266.7 cm	264.2 cm	52.1 cm
304.8 cm	302.3 cm	10.8 cm	264.2 cm	261.6 cm	52.6 cm
302.3 cm	299.7 cm	13.3 cm	261.6 cm	259.1 cm	59.7 cm
299.7 cm	297.2 cm	15.9 cm	259.1 cm	256.5 cm	61.0 cm
297.2 cm	294.6 cm	19.1 cm	256.5 cm	254.0 cm	64.1 cm
294.6 cm	292.1 cm	21.6 cm	254.0 cm	251.5 cm	66.7 cm
292.1 cm	289.6 cm	22.2 cm	251.5 cm	248.9 cm	69.2 cm
289.6 cm	287.0 cm	28.7 cm	248.9 cm	246.4 cm	72.4 cm
287.0 cm	284.5 cm	30.5 cm	246.4 cm	243.8 cm	74.9 cm
284.5 cm	281.9 cm	33.0 cm	243.8 cm	241.3 cm	77.5 cm
281.9 cm	279.4 cm	35.6 cm	241.3 cm	238.8 cm	81.3 cm
279.4 cm	276.9 cm	38.7 cm	238.8 cm	236.2 cm	83.2 cm
276.9 cm	274.3 cm	41.3 cm	236.2 cm	233.7 cm	Vea Figura P

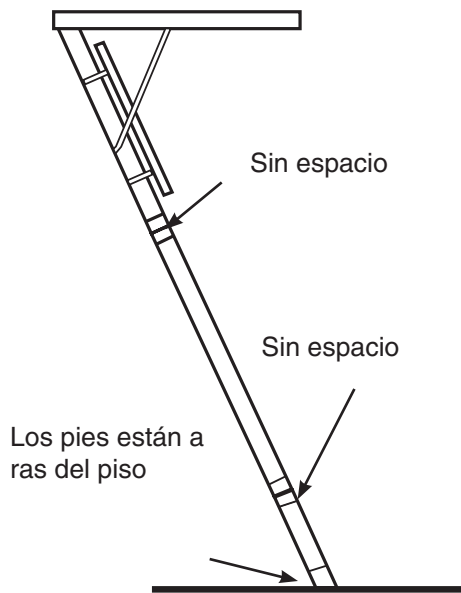
SU ESCALERA DE ÁTICO SE HA AJUSTADO CORRECTAMENTE.
CONTINÚE CON EL PASO 5: INSTALACIÓN DE LOS PIES

Tabla 1

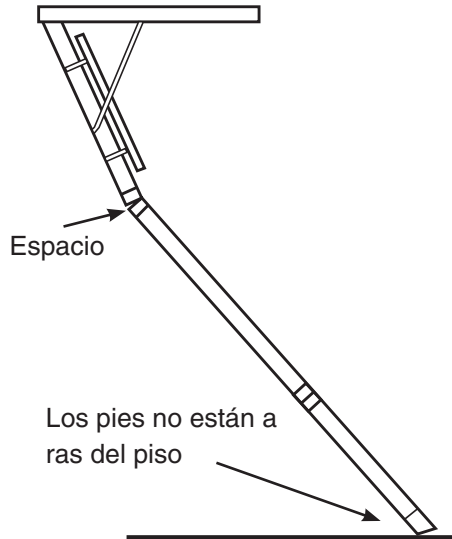
Paso 5: INSTALACIÓN DE LOS PIES

COMPONENTES Y SUJETADORES INCLUIDOS	HERRAMIENTAS NECESARIAS
<p>(1) conjunto de pie derecho</p>  <p>(1) conjunto de pie izquierdo</p>  <p>(2) tornillos de cabeza hexagonal 1/4"-20, longitud 19.1 mm (3/4")</p>  <p>(2) tuercas de seguridad 1/4"-20</p> 	<p>Sierra para metales</p> <p>Cinta métrica</p> <p>Lápiz</p> <p>Taladro</p> <p>Broca para taladro, 7.1 mm (9/32")</p> <p>Escuadra de carpintero</p> <p>Llave, 11.1 mm (7/16") (2)</p>

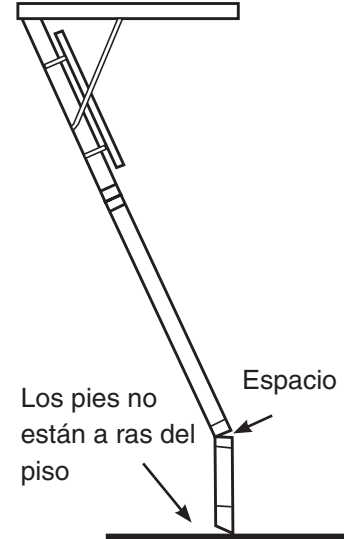
Al completar el paso 5, las bisagras de su escalera no deben tener ningún espacio, como se muestra en la 'disposición correcta'



Disposición correcta



La sección inferior es demasiado larga



La sección inferior es demasiado corta

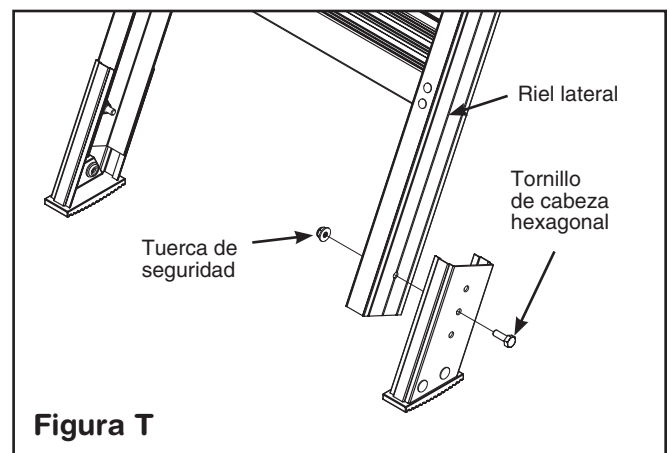
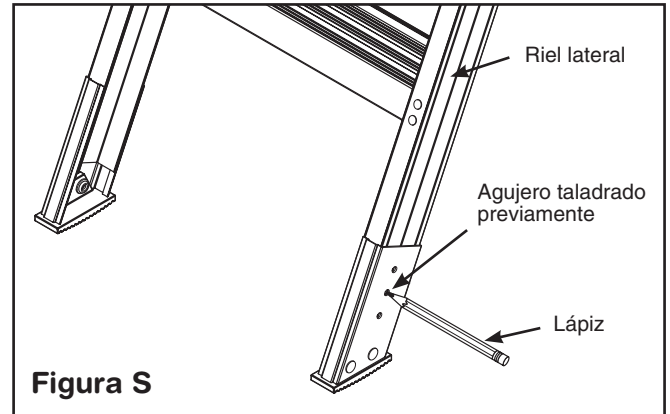
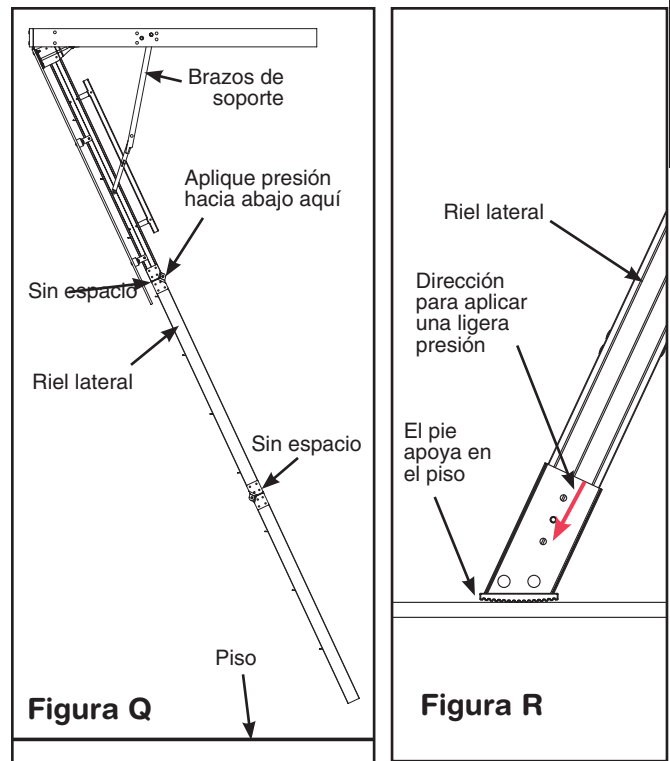


ADVERTENCIA

La sección inferior debe estar a ras del piso. Si no se ajustan correctamente los pies de la escalera podría producirse un esfuerzo innecesario en los componentes, y esto puede resultar en lesiones graves.

Paso 5 (continuación) INSTALACIÓN DE LOS PIES

1. UBICACIÓN CORRECTA DE LOS PIES:
 - a. Asegúrese de que las secciones de la escalera estén completamente extendidas, y que los brazos de soporte estén completamente abiertos. Aplique presión, como se muestra, para asegurarse de que la escalera esté totalmente extendida (vea la Figura Q).
 - b. Coloque el pie sobre el riel lateral, y deslícelo hacia abajo hasta que el suelo de caucho del pie apoye firmemente en el piso. Aplique una ligera presión, como se muestra (vea la Figura R).
 - c. Marque la ubicación para taladrar un agujero a través del riel lateral de la sección inferior, utilizando uno de los agujeros previamente taladrados en el pie ajustable como plantilla. Retire el pie y verifique la posición del agujero antes de taladrar. Taladre un agujero de 7.1 mm (9/32") a través del riel (vea la Figura S).
 - d. Instale el pie ajustable y ajústelo mediante el tornillo de cabeza hexagonal de 6.4 mm (1/4") y la tuerca de seguridad provistos (vea la Figura T).
 - e. Repita los pasos a por d para el otro lado de la escalera.



Nota:

Para obtener los beneficios completos de la eficiencia energética de su escalera de ático, todos los espacios entre el marco de la escalera de ático y la abertura preliminar deben llenarse con material aislante.

**¡FELICITACIONES! SU ESCALERA ESTÁ AHORA
COMPLETAMENTE INSTALADA Y LISTA PARA USAR.**

Apéndice CREACIÓN DE UNA ABERTURA SIN TERMINAR

Sección 1.1

PREGUNTAS IMPORTANTES

¿Su estructura de vigas y cielorraso es adecuada para esta instalación?

Esta escalera de ático puede instalarse en estructuras con marcos de madera de techo convencionales (vea la Figura 1). Si existe un cielorraso, usted debe tener una abertura de acceso en el mismo que le permita ingresar al espacio superior para una inspección previa a la instalación.

Las estructuras de sostén de techo que tienen riostras unidas a las vigas del cielorraso, así como las que utilizan entramados (vea la Figura 1), no pueden cortarse sin destruir la capacidad portante de esa sección del techo. No corte vigas que sean parte de un entramado o marco convencional arriostrado sin consultar primero a un arquitecto o un ingeniero de estructuras (vea en las páginas amarillas ‘Arquitectos o ingenieros de estructuras’).

La escalera de ático *no* debe instalarse en un cielorraso que tenga alguna de estas características:

- componentes de sistemas de calefacción/refrigeración empotrados en el cielorraso
- vigas hechas de materiales que no sean madera
- yeso con refuerzo metálico
- cielorraso suspendido

Si su cielorraso contiene alguno de estos elementos, no intente instalar la escalera de ático. Póngase en contacto con un profesional para que le ayude con sus necesidades específicas (vea en las páginas amarillas ‘Contratistas de calefacción y refrigeración, Contratistas de construcción, Carpinteros, Constructores, Mejoras en el hogar, o Contratistas en general’).

¿Estas instrucciones satisfacen sus necesidades?

Estas instrucciones describen cómo instalar la escalera de ático paralela o perpendicular a las vigas del cielorraso. Si desea instalar la escalera de ático en alguna otra dirección en relación con las vigas, póngase en contacto con un profesional.

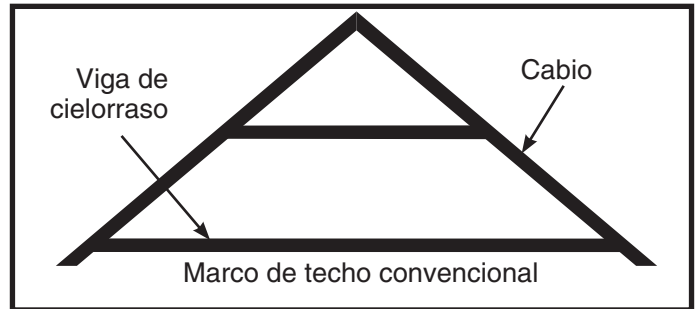


Figura 1

¿Su estructura de vigas y cielorraso es adecuada para esta instalación?

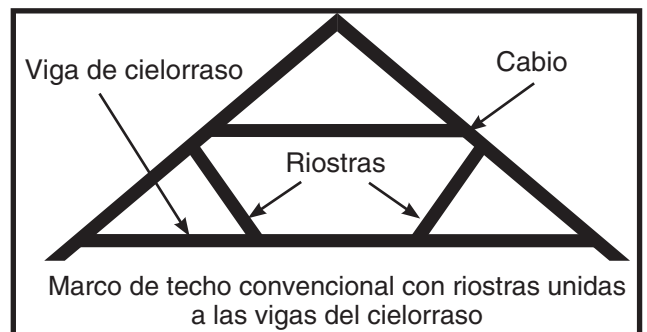
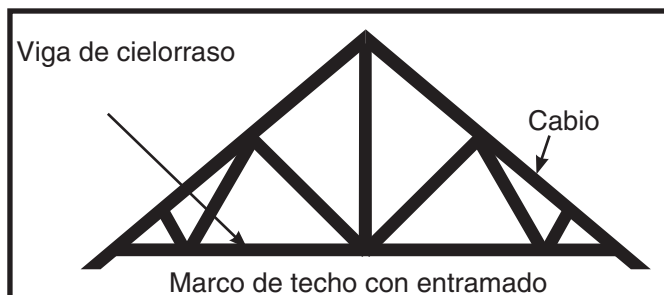


Figura 2

⚠ ADVERTENCIA

No corte estos tipos de estructuras sin consultar con un arquitecto o un ingeniero de estructuras.

HERRAMIENTAS Y MATERIALES NECESARIOS

Materiales:

- Varios trozos de madera del tamaño de las vigas (la cantidad depende de la instalación específica).
- Clavos 'sinker' 16d o tornillos de resistencia equivalente (24 – 60, según la instalación específica).
- Donde haya cortes de vigas, se necesitan para la instalación clavos 'sinker' 20d o tornillos de resistencia equivalente.

Escalera tipo tijera:

- Usted necesita una escalera tipo tijera que sea suficientemente alta para permitirle ingresar al espacio superior sin pararse más arriba de la altura de trabajo de la misma. La altura de trabajo de la escalera tipo tijera es dos peldaños debajo del extremo superior.
- Su escalera tipo tijera debe tener también una capacidad de carga que sea mayor que la suma de su peso más el peso de la escalera de ático.



ADVERTENCIA

Tenga cuidado cuando utilice una escalera tipo tijera para entrar y salir del espacio superior

Herramientas para crear una abertura sin terminar:

- Linterna o lámpara con extensión
- Martillo de carpintero
- Lápiz
- Serrucho o sierra eléctrica
- Cinta métrica
- Escuadra de carpintero
- Herramientas para cortar un agujero en el cielorraso existente

Equipos de seguridad:

- Guantes
- Anteojos de seguridad
- Máscara antipolvo

Sección 1.3

ELECCIÓN DE UNA UBICACIÓN ADECUADA

Antes de continuar: usted debe tener una estructura de vigas y cielorraso adecuada, las herramientas y materiales necesarios, y una ubicación plana y nivelada en el cielorraso.

Objetivo: Encontrar una ubicación libre de riesgos y obstrucciones, que proporcione lugar suficiente para la instalación y utilización de la escalera de ático. Evite instalar la escalera de ático sobre otras escalinatas.

Paso 1. Elija una ubicación posible para la instalación. Verifique que el tamaño de la abertura sin terminar sea 57.1 cm (22-1/2") x 137.1 cm (54") (99220-001) o 63.5 cm (25") x 137.1 cm (54") (99250-001).

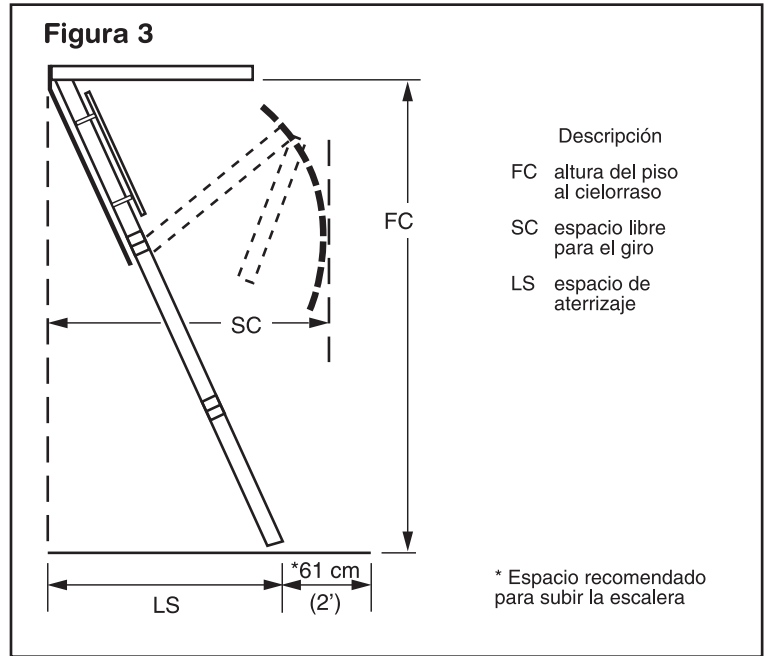
Paso 2. Si no hay cielorraso y la escalera de ático cabe entre las vigas de modo que no se necesite cortar ninguna, vaya a la Sección 1.6, página 37, 'ENMARCADO DE LA ABERTURA SIN TERMINAR'. Si no hay cielorraso pero se necesita cortar una o más vigas vaya a la Sección 1.5, página 36, 'CORTE DE LAS VIGAS DEL CIELORRASO'.

Si existe cielorraso en ese lugar necesitará inspeccionar el área que está por encima, como se describe en los pasos 3 y 4.

Paso 3. Ingrese al espacio superior y localice el área que está encima de la ubicación que eligió.

Esta área puede localizarse:

- A) escuchando leves golpes desde abajo
- B) midiendo distancias desde las paredes u otros objetos comunes al espacio superior y el lugar que está debajo.



SC	LS	FC
1.78 m (5' 10")	1.22 m a 1.60 m (4' 0" a 5' 3")	2.34 m (7' 8") mín. a 3.12 m (10' 3") máx.

⚠ ADVERTENCIA

No inserte clavos metálicos u otros objetos conductores en el cielorraso a menos que tenga la seguridad de que no harán contacto con cables eléctricos. El contacto con un cable eléctrico puede resultar en la muerte.

Paso 4. En esta ubicación en el espacio superior:

- A) Verifique que haya espacio suficiente para moverse con seguridad durante la instalación.
- B) Verifique, en el espacio superior, el espacio para almacenamiento adyacente a la ubicación elegida. Si se desea caminar o arrastrarse en el espacio superior, asegúrese de que haya espacio suficiente para hacerlo.
- C) Revise encima de su ubicación elegida si hay riesgos u obstrucciones como:
 - Cables eléctricos
 - Tuberías
 - Conductos de calefacción y refrigeración
 - Calderas
 - Calentadores de agua u otras obstrucciones

NOTA: Para buscar por riesgos, necesitará mover el aislamiento desde la ubicación elegida. Lleve una mascarilla antipolvo, anteojos de seguridad y guantes para cubrir su cuerpo y prevenir cortes finos de la fibra de vidrio. Empuje el aislamiento suavemente para que no crear polvo que sea dañino a sus ojos y pulmones.

Paso 5. Si hay presencia de algún riesgo u obstrucción en la ubicación elegida, busque otra ubicación o haga que sean profesionales quienes quiten esos riesgos u obstrucciones (vea en las páginas amarillas 'Contratistas eléctricos, Contratistas de calefacción y refrigeración, y Contratistas de plomería').

⚠ ADVERTENCIA

Por su seguridad, tenga cuidado con los riesgos de trabajar en sitios elevados.

No se pare ni se siente en el cielorraso o en el aislamiento que lo cubre - el cielorraso no está hecho para soportar su peso. Usted puede caer a través del cielorraso, aun cuando parezca sólido. Sólo las vigas pueden sostener peso.

Tenga cuidado con los clavos aguzados que asoman a través del techo.

CORTE DE UN AGUJERO EN EL CIELORRASO

Antes de continuar: Usted debe disponer de una ubicación que

- A) esté libre de riesgos y obstrucciones en el espacio superior.
- B) esté libre de riesgos en el cielorraso.
- C) proporcione espacio suficiente para la instalación.
- D) proporcione espacio suficiente para utilizar la escalera de ático.

Objetivo: Cortar en el cielorraso un agujero del tamaño correcto en la ubicación deseada.

Paso 1. Prepare la habitación; para ello desplace los muebles, cubra el piso con una cubierta protectora, y aleje a los niños y las mascotas a una distancia segura.

Paso 2. Colóquese anteojos de seguridad y una máscara antipolvo. Estos elementos evitarán que las partículas de cielorraso y el polvo penetren en sus ojos, boca y nariz cuando haga un agujero inicial y corte el cielorraso.

Paso 3. Con un martillo y un cincel, haga un agujero inicial cerca del centro de la ubicación elegida (vea la Figura 4).

Paso 4. Agrande la abertura con una sierra hasta que pueda ver una viga (vea la Figura 5).

Paso 5. Trace en el cielorraso un rectángulo del tamaño de la abertura sin terminar; éste debe ser 57.1 cm (22-1/2") x 137.1 cm (54") o 63.5 cm (25") x 137.1 cm (54"), y debe tener un borde paralelo a una viga (vea la Figura 6). Usted puede hacer esto aserrando hasta llegar a una viga, y utilizarla como marco de referencia.

Nota: la ubicación de al menos un borde de la abertura a lo largo de una viga de cielorraso permitirá utilizar la viga como un lado del marco que usted construirá. Esto simplificará el enmarcado de la abertura sin terminar.

Paso 6. Corte el resto del cielorraso dentro del contorno marcado, de acuerdo con estas instrucciones:

- A) no corte todavía ninguna viga. Corte a través del cielorraso únicamente.
- B) quite el cielorraso en trozos pequeños, porque el material del mismo puede ser muy pesado.

Paso 7. Si no hay vigas que atraviesen el agujero del cielorraso vaya a la Sección 1.6, página 37, 'ENMARCADO DE LA ABERTURA SIN TERMINAR'. Si hay vigas que atraviesan el agujero vaya a la Sección 1.5, página 36, 'CORTE DE LAS VIGAS DEL CIELORRASO'.

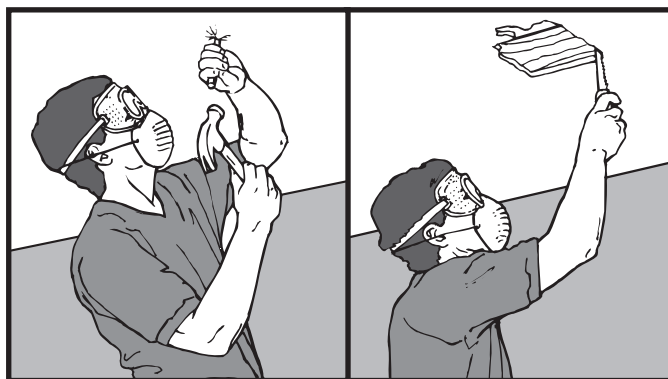


Figura 4

Figura 5



Figura 6

CORTE DE LAS VIGAS DEL CIELORRASO

Antes de continuar: usted debe tener vigas expuestas, o un agujero del tamaño correcto en la ubicación deseada del cielorraso.

Objetivo: cortar las vigas que se interpongan en la ubicación elegida. Antes de cortar vigas debe unirlos a otras vigas del ático superior, para evitar que el cielorraso se hunda o se desplome por completo.

Paso 1. Si la habitación tiene cielorraso y ya ha cortado el agujero necesario, vaya al paso 2.

Si la habitación no tiene cielorraso necesitará marcar las vigas de acuerdo con el párrafo (A) o (B), debajo.

(A) Si la ubicación elegida es paralela a las vigas, marque la longitud de la abertura sin terminar sobre las vigas (vea la Figura 7).

No corte la viga en esta marca.

(B) Si la ubicación elegida es perpendicular a las vigas, marque el ancho de la abertura sin terminar sobre las vigas (vea la Figura 8).

No corte la viga en esta marca.

Paso 2. Corte dos (2) tablas del tamaño de las vigas, y de longitud suficiente para atravesar dos (2) vigas a cada lado de la ubicación elegida (vea la Figura 9). Estas tablas sostendrán las vigas que se cortarán, y ayudarán a que el cielorraso no se hunda o se desplome por completo cuando usted esté trabajando en el espacio superior.

Paso 3. Coloque estas tablas aproximadamente a 60.9 cm (24") del borde de la ubicación elegida, y clávelas (vea la Figura 9).

Nota: La distancia de 60.9 cm (24") es necesaria a fin de brindarle lugar para martillar los clavos en el marco que usted construirá en la próxima sección.

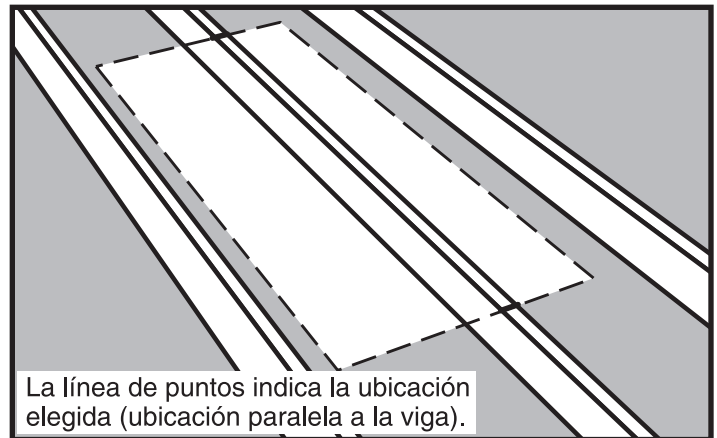


Figura 7

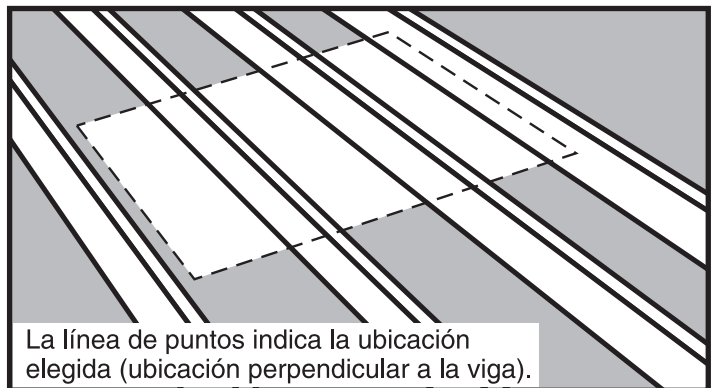


Figura 8

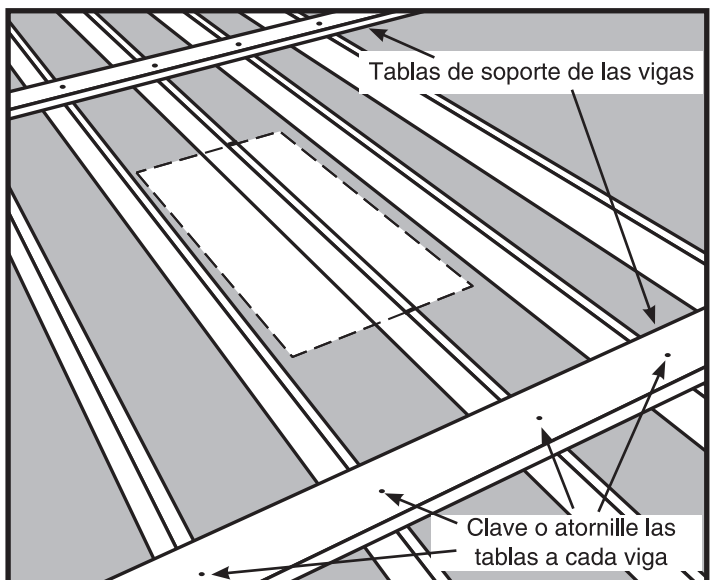


Figura 9

Sección 1.5 (continuación)

CORTE DE LAS VIGAS DEL CIELORRASO

PASO 4. Determine dónde se debe(n) cortar la(s) viga(s). La Figura 10 muestra dónde marcar la(s) viga(s) que atraviesan la ubicación elegida. Tenga en cuenta que la(s) viga(s) debe(n) marcarse por fuera de la ubicación elegida, a una distancia del borde de la misma que sea igual el doble del espesor de las vigas (generalmente 76.2 mm / 3 pulgadas). Esto deja espacio para colocar dos cabeceros del tamaño de las vigas contra cada extremo de la(s) viga(s) cortada(s) (vea la Figura 16 de la página 39).

Nota: En algunas casas, especialmente en las más antiguas, las vigas pueden ser más gruesas que la madera que usted puede comprar hoy en día. Si sus vigas tienen un espesor diferente que la madera que usted utilizará para los cabeceros, necesitará marcar las vigas a una distancia del borde de la ubicación elegida que sea igual al doble del espesor de los *cabeceros*, y no de las *vigas*.

PASO 5. Serruche o asierre la(s) viga(s). Cuide de no cortar a través del cielorraso, y asegúrese de que los extremos del corte de la(s) viga(s) sean planos y verticales.

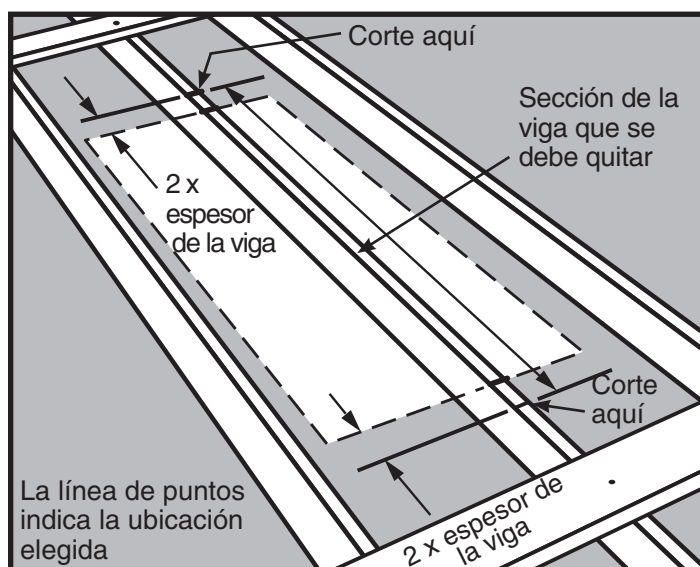


Figura 10

Sección 1.6

ENMARCADO DE LA ABERTURA SIN TERMINAR

Antes de continuar: Usted debe tener un espacio entre las vigas que sea como mínimo tan grande como la abertura sin terminar se muestre en la caja. Todas las vigas cortadas deben unirse a vigas no cortadas.

Objetivo: Crear un marco de cuatro lados, del tamaño de la abertura sin terminar, utilizando madera del tamaño de las vigas. Este marco se hará con largueros y cabeceros de espesor simple o doble, según la instalación particular. El marco es necesario para sostener la escalera de ático y para reforzar la estructura del cielorraso y el techo.

ADVERTENCIA

Por su seguridad, tenga cuidado con los riesgos de trabajar en sitios elevados.

No se pare ni se siente en el cielorraso o en el aislamiento que lo cubre: el cielorraso no está hecho para soportar su peso. Usted puede caer a través del cielorraso, aun cuando parezca sólido. Sólo las vigas pueden sostener peso. Para evitar caer a través del cielorraso puede ser necesario fabricar una plataforma de trabajo, tendiendo tablas transversalmente a la viga. Tenga cuidado con los clavos aguzados que asoman a través del techo.

ENMARCADO DE LA ABERTURA SIN TERMINAR

Instalación de los cabeceros

Si no se han cortado vigas, pase a 'Cabeceros simples', debajo.

Si se han cortado vigas, pase a 'Cabeceros dobles', en la página 39.

Cabeceros simples

PASO 1. Mida la longitud "H" del cabecero entre las vigas (vea la Figura 11).

PASO 2. Corte 2 cabeceros con esta longitud. Utilice madera del tamaño de las vigas.

PASO 3. Coloque uno de estos cabeceros en un extremo de la ubicación elegida (vea la Figura 12). El cabecero debe ajustar perfectamente entre las vigas. Martillelo hasta su posición si fuera necesario; si a su longitud le sobra más de 1.6 mm (1/16"), recórtelo. Si a su longitud le falta más de 1.6 mm (1/16"), corte otro trozo.

PASO 4. Ponga el cabecero a escuadra respecto a una viga e inserte tres (3) clavos 16d en el cabecero, a través de la viga. Verifique la escuadra e inserte tres (3) clavos 16d en el cabecero, a través de la otra viga (vea la Figura 12). **Es muy importante que la tabla utilizada como cabecero esté verticalmente a plomo y horizontalmente a escuadra con las vigas laterales.**

PASO 5. Posicione el segundo cabecero a 137.1 cm (54") del primero, y repita el paso 4 (vea la Figura 13).

PASO 6. El marco para la abertura sin terminar necesita cuatro lados. Los cabeceros forman dos de esos lados. Si las vigas de su cielorraso están espaciadas de modo de formar los otros dos lados de la abertura sin terminar, revise la abertura para verificar la escuadra. Para ello, mida las diagonales. Las medidas deben diferir en menos de 3.2 mm (1/8") para que el conjunto se considere a escuadra (vea la Figura 13).

Si las vigas de su cielorraso no forman los otros dos lados de la abertura sin terminar, deberá instalar uno o dos trozos adicionales de madera para enmarcar los otros lados de la abertura; vaya a "Instalación de largueros", en la página 40.

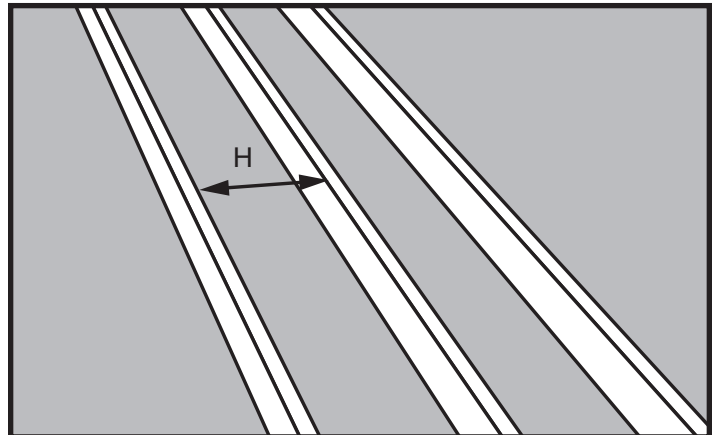


Figura 11

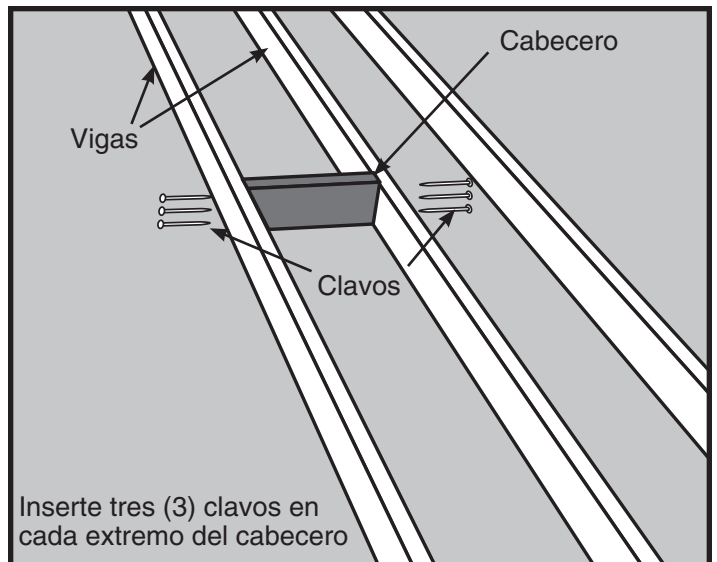


Figura 12

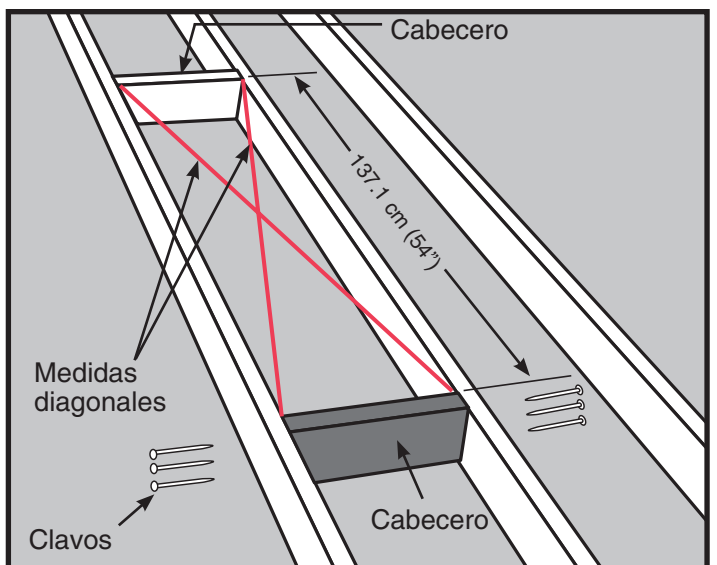


Figura 13 Cómo verificar la escuadra

ENMARCADO DE LA ABERTURA SIN TERMINAR

Cabeceros dobles

- PASO 1.** Mida la longitud "H" del cabecero entre las vigas no cortadas (vea la Figura 14).
- PASO 2.** Corte 4 cabeceros con esta longitud. Utilice madera del tamaño de las vigas.
- PASO 3.** Coloque uno de estos cabeceros contra el extremo de la(s) viga(s) cortada(s) (vea la Figura 15). Debe ajustar perfectamente entre las vigas sin cortar. Martíllelo hasta su posición si fuera necesario; si a su longitud le sobra más de 1.6 mm (1/16"), recórtelo. Si a su longitud le falta más de 1.6 mm (1/16"), corte otro trozo.
- PASO 4.** Ponga el cabecero a escuadra respecto a la viga no cortada, y únalo al extremo de la(s) viga(s) cortada(s) con tres (3) clavos 16d (vea la Figura 15).
- PASO 5.** Revise el cabecero para verificar su escuadra, y luego inserte tres (3) clavos 16d en cada extremo del cabecero, a través de cada viga (vea la Figura 15).
- PASO 6.** Coloque un segundo cabecero contra el primero, y únalo al primero con tres (3) clavos 16d en cada espacio entre vigas (vea la Figura 16).
- PASO 7.** Inserte tres (3) clavos 16d en cada extremo del segundo cabecero, a través de las vigas (vea la Figura 16).
- PASO 8.** Repita los pasos 3 a 7 para instalar los cabeceros en el extremo opuesto de la abertura.
- PASO 9.** Para enmarcar el (los) otro(s) lado(s) de la abertura sin terminar, vaya a 'Instalación de largueros', en la próxima página.
- PASO 10.** Retire las tablas de soporte temporario.

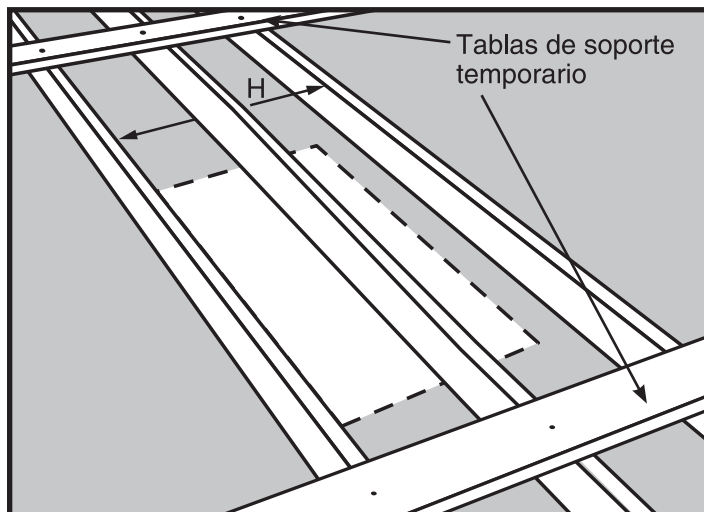


Figura 14

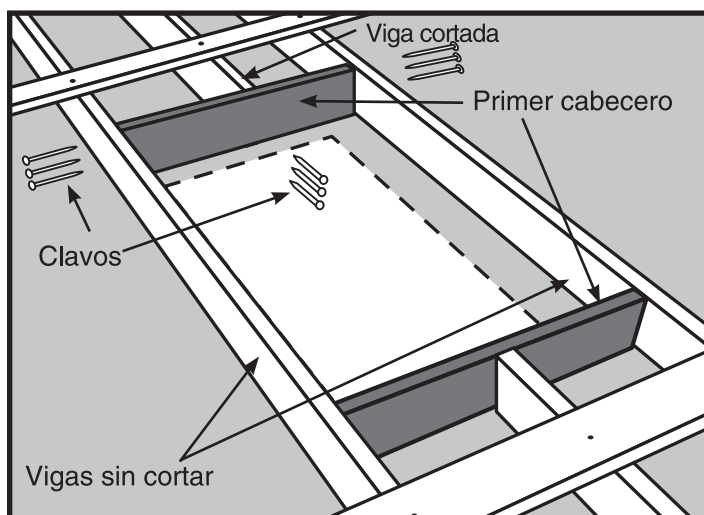


Figura 15

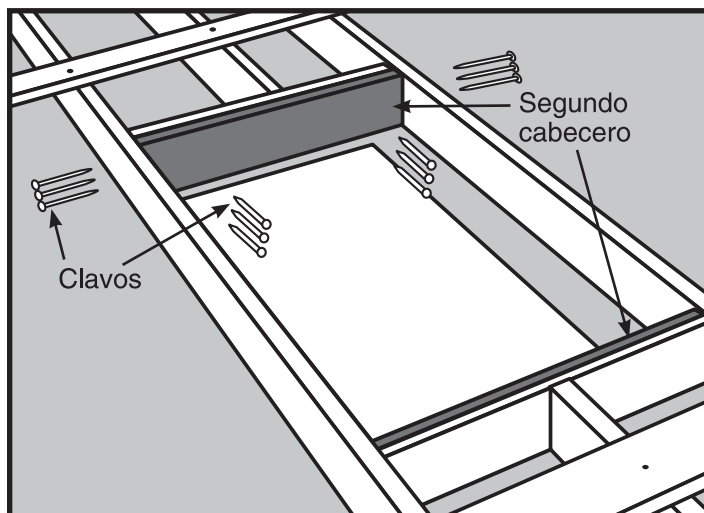


Figura 16

ENMARCADO DE LA ABERTURA SIN TERMINAR

Instalación de largueros

- PASO 1.** Mida la longitud “S” del larguero entre los cabeceros (vea la Figura 17).
- PASO 2.** Corte un larguero con esta longitud. Utilice madera del tamaño de las vigas.
- PASO 3.** Si no hay una viga del cielorraso que proporcione un lado del marco, corte un segundo larguero de la misma longitud del primero. Tenga en cuenta que en la Figura 17 se necesita un solo larguero, porque una viga del cielorraso proporciona un lado del marco.
- PASO 4.** Posicione el (los) larguero(s) a lo largo del (de los) lado(s) no enmarcado(s) de su ubicación (vea la Figura 18). Verifique que las dimensiones internas del marco sean 57.1 cm (22-1/2”) x 137.1 cm (54”) (99220-001) o 63.5 cm (25”) x 137.1 cm (54”) (99250-001).
- PASO 5.** Para unir el (los) larguero(s) a los cabeceros, utilice clavos de longitud suficiente para pasar a través de ambos cabeceros e insertarse en el larguero al menos 25.4 mm (1 pulgada). Ponga el (los) larguero(s) a escuadra con los cabeceros en un extremo, e inserte tres (3) clavos 16d en el larguero, a través de los cabeceros. Verifique la escuadra, y luego clave el otro extremo. Verifique que la abertura sin terminar esté a escuadra. Para ello, mida las diagonales. **Las dos medidas deben diferir en menos de 3.2 mm (1/8”) para que el conjunto se considere a escuadra** (vea la Figura 18).

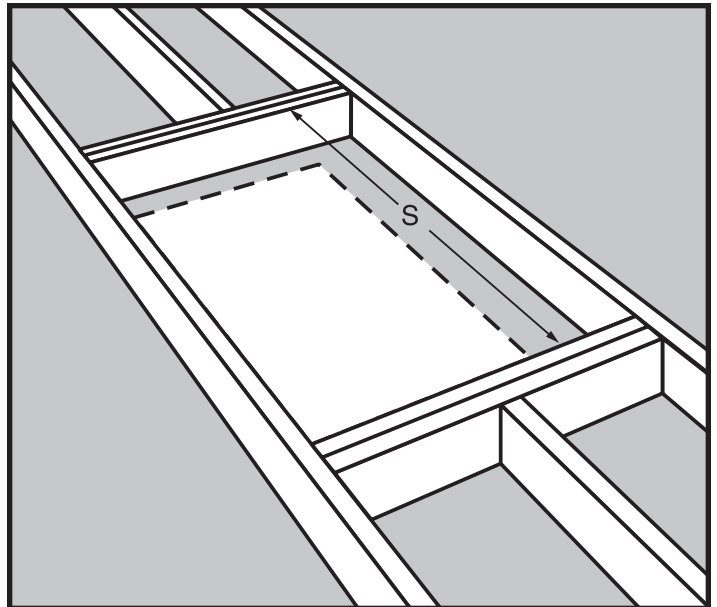


Figura 17

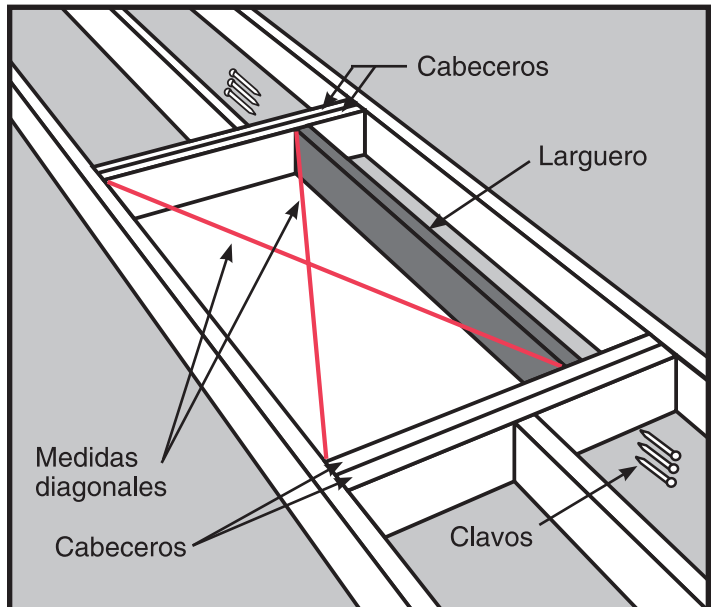


Figura 18

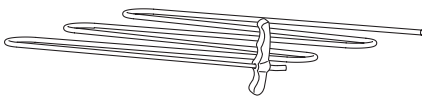
**SU ABERTURA SIN TERMINAR ESTÁ PREPARADA
CONTINÚE CON EL PASO 1: PREPARACIÓN DE LA ABERTURA EXISTENTE
PARA LA ESCALERA DE ÁTICO PARA LA INSTALACIÓN**

KIT DE ACCESORIOS DE MONTAJE

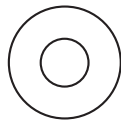
(1) manual de instrucciones del conjunto de escalera



(1) conjunto de cuerda



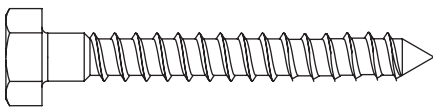
(13) arandelas de 6.4 mm(1/4")



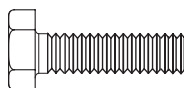
(2) tuercas de seguridad 1/4"-20



(12) tirafondos 1/4"-20, longitud 76.2 mm (3")



(2) tornillos de cabeza hexagonal 1/4"-20, longitud 19.1 mm (3/4")



KIT DE REEMPLAZO DE PUNTALES

(1) hoja de instrucciones

(2) conjuntos de puntales de gas



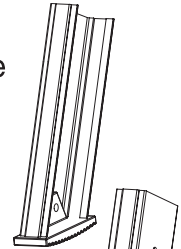
(4) tiras metálicas



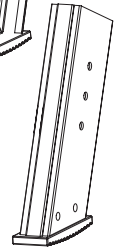
KIT DE REEMPLAZO DE PIES

(1) hoja de instrucciones

(1) conjunto de pie izquierdo



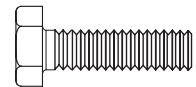
(1) conjunto de pie derecho



(2) tuercas de seguridad 1/4"-20



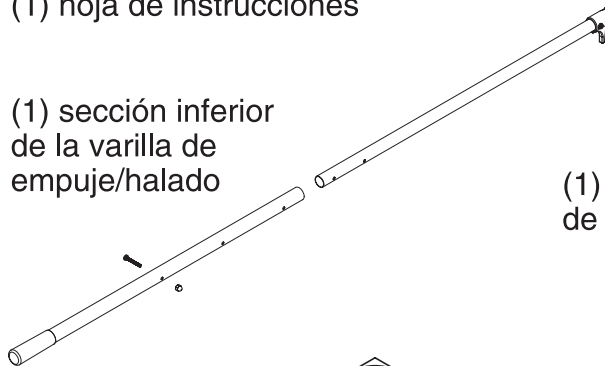
(2) tornillos de cabeza hexagonal 1/4"-20, longitud 19.1 mm (3/4")



KIT DE VARILLA DE EMPUJE/HALADO

(1) hoja de instrucciones

(1) sección inferior de la varilla de empuje/halado



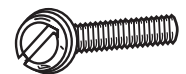
(1) sección superior de la varilla de empuje/halado

(1) soporte de la varilla de empuje/halado

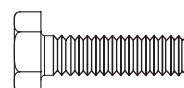
(2) tuercas de seguridad 1/4"-20



(1) Tornillo para metales



(2) tornillos de cabeza hexagonal 1/4"-20, longitud 19.1 mm (3/4")



(1) Tuerca bellota



