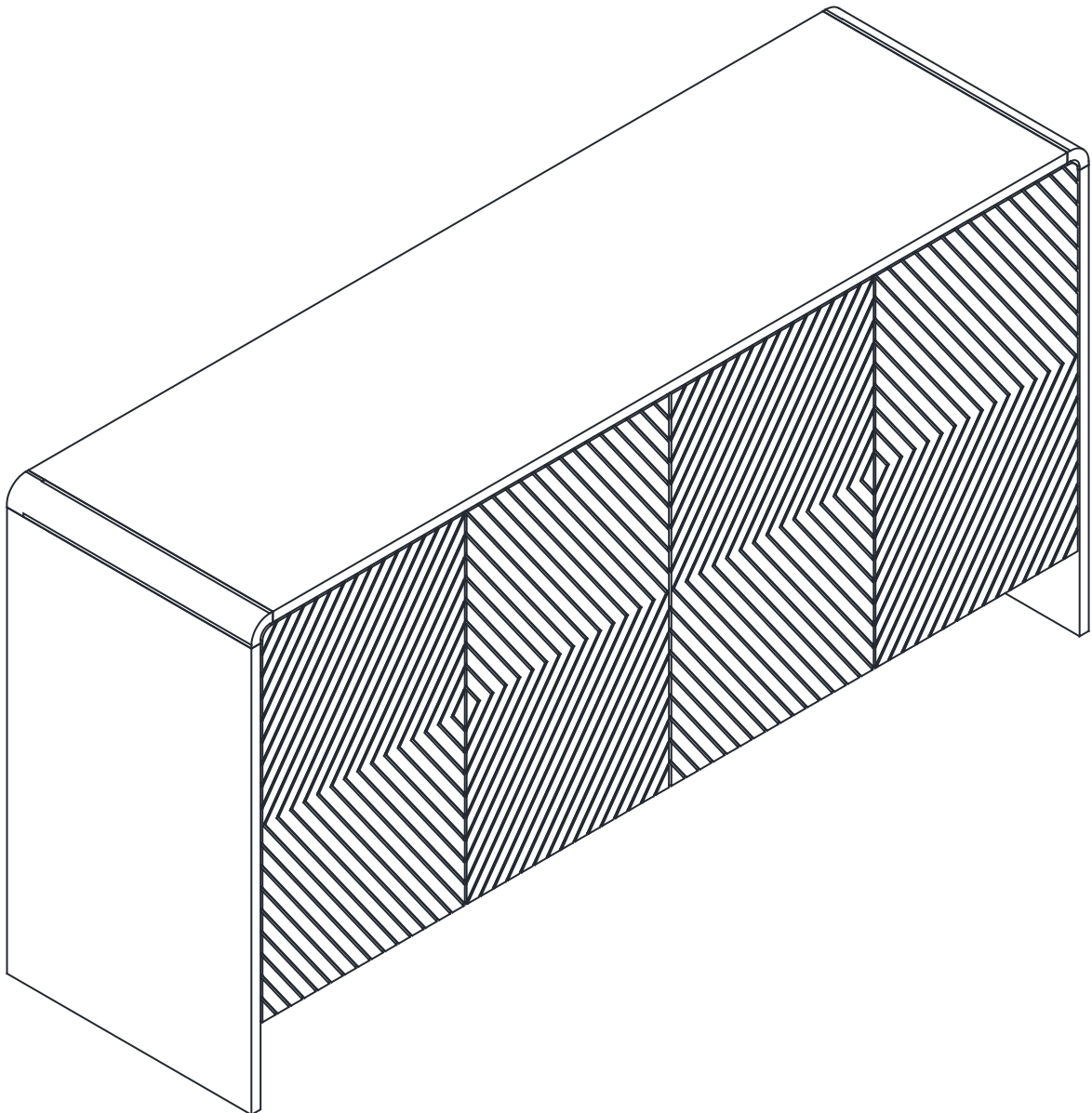
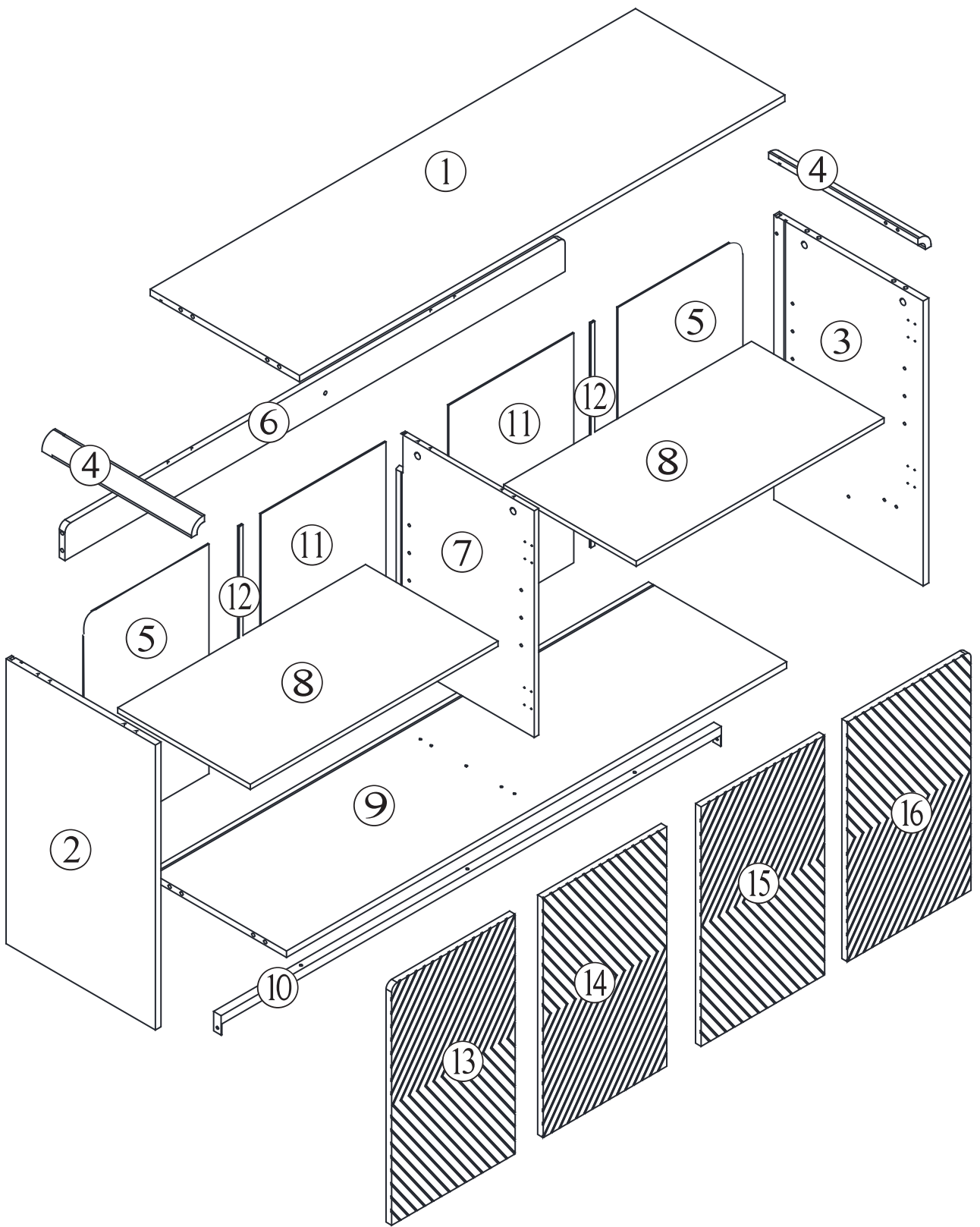


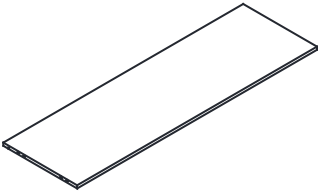
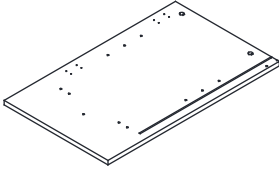
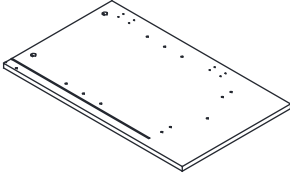
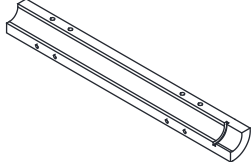
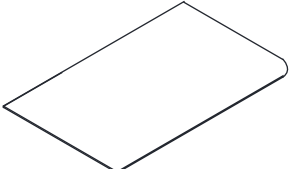
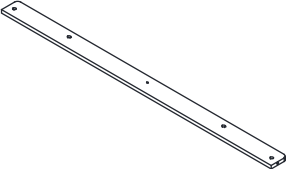
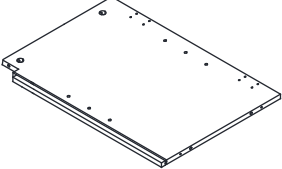
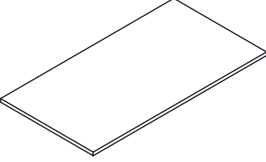
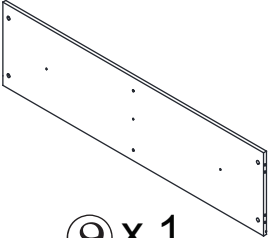
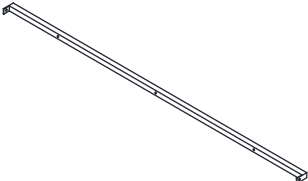
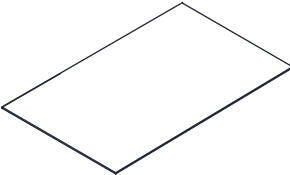

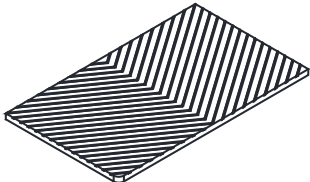
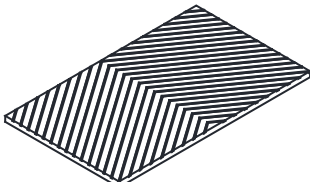
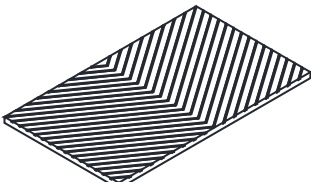

ASSEMBLY INSTRUCTION

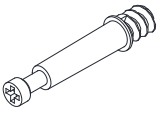

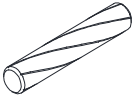

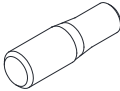
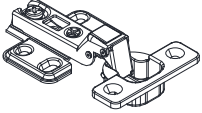
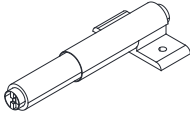

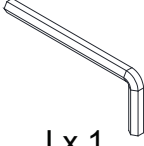

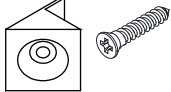
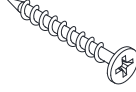

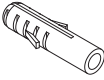
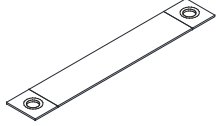

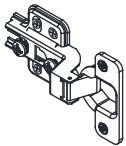
WF304383

If you have any
questions, please feel
free to contact us.
Email: [lowesteam@
animalife.com](mailto:lowesteam@animalife.com)

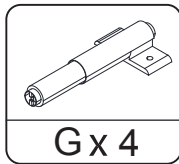
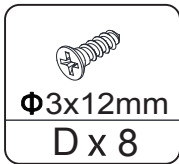
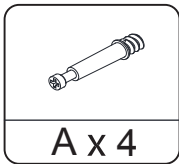
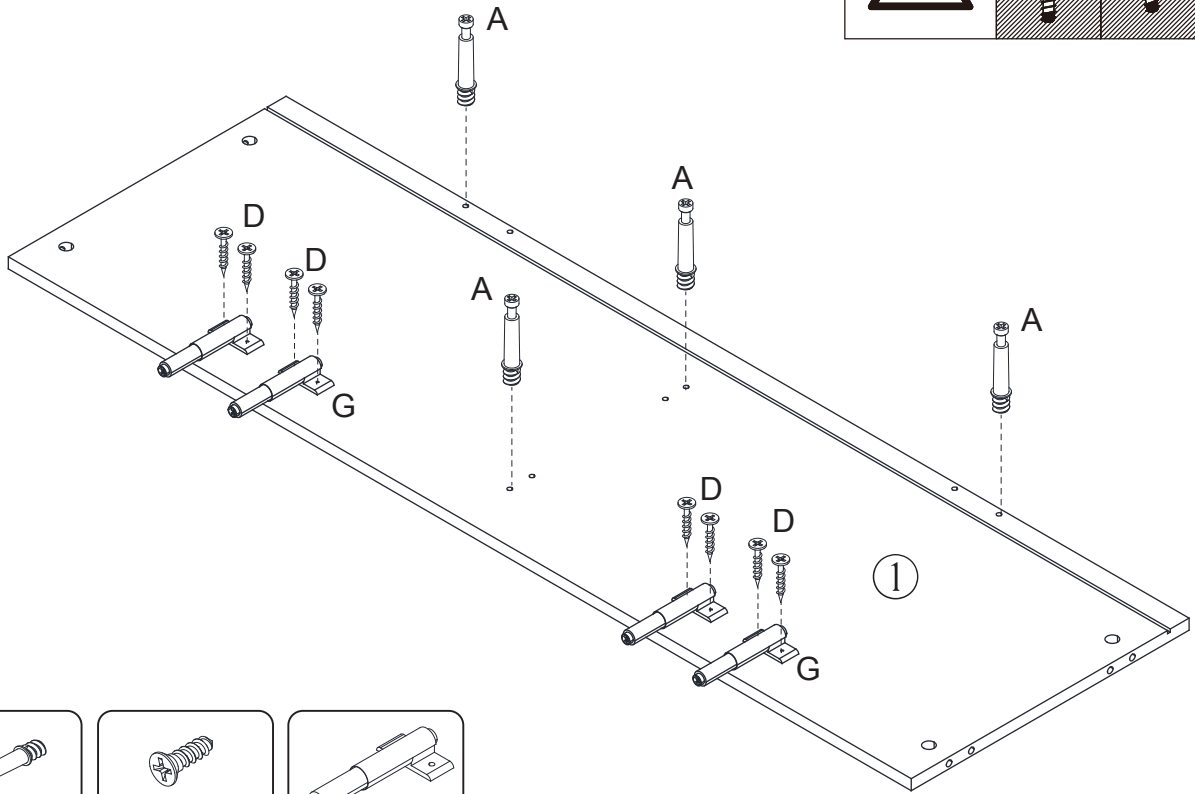
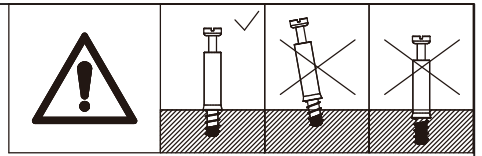




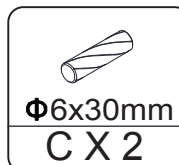
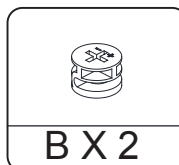
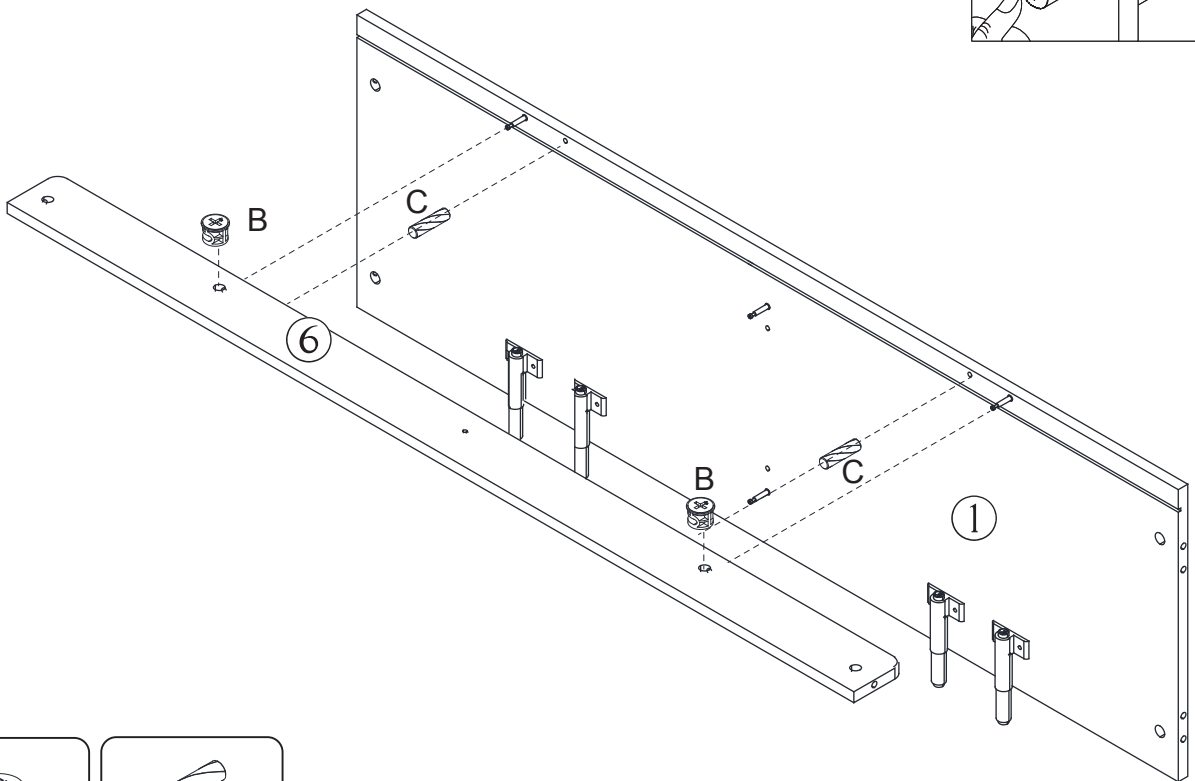
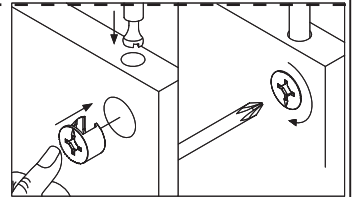
| | | | |
|---|---|--|---|
|  ① x 1 |  ② x 1 |  ③ x 1 |  ④ x 2 |
|  ⑤ x 2 |  ⑥ x 1 |  ⑦ x 1 |  ⑧ x 2 |
|  ⑨ x 1 |  ⑩ x 1 |  ⑪ x 2 |  ⑫ x 2 |
|  ⑬ x 1 |  ⑭ x 1 |  ⑮ x 1 |  ⑯ x 1 |

| | | | | |
|--|---|--|--|--|
|  A x 18 |  B x 18 |  Φ6x30mm C x 18 |  Φ3x12mm D x 12 |  E x 8 |
|  F x 4 |  G x 4 |  H x 4 |  I x 1 |  J x 3 |
|  K x 10 |  Φ4x40mm L x 5 |  Φ4x12mm M x 4 |  N x 2 |  O x 2 |
|  Φ4x14mm P x 48 |  Q x 4 | | | |

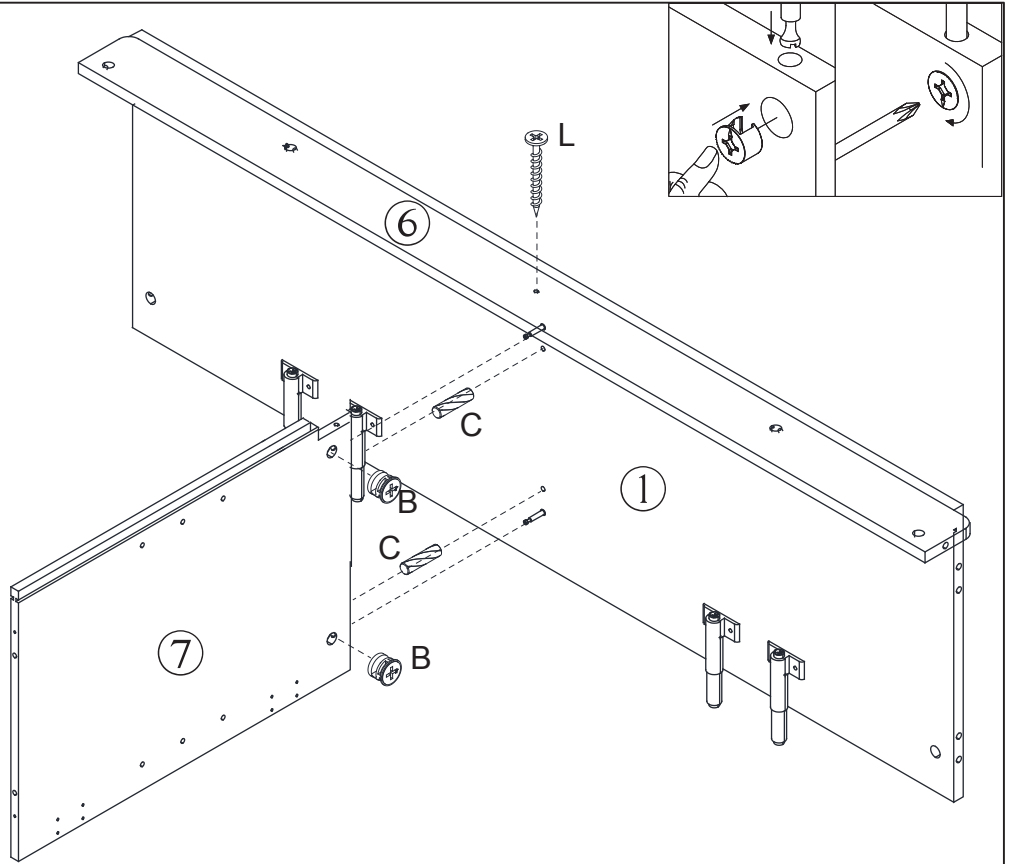
Step 1




Step 2




Step 3

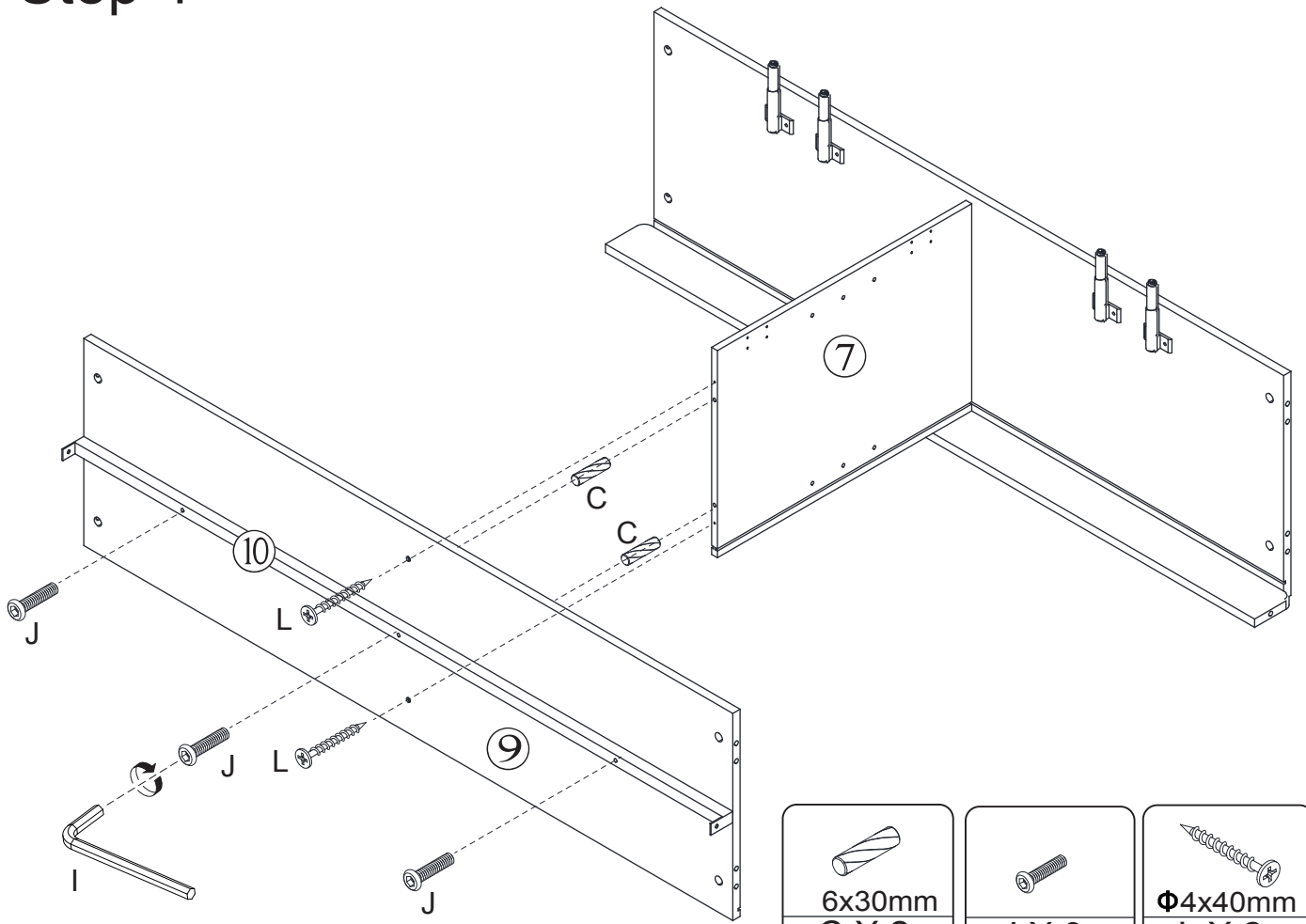



| |
|---|
|  |
| $\Phi 4 \times 40 \text{mm}$ |
| L X 1 |


| |
|---|
|  |
| $\Phi 6 \times 30 \text{mm}$ |
| C X 2 |

| |
|---|
|  |
| B X 2 |

Step 4

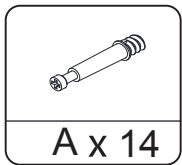
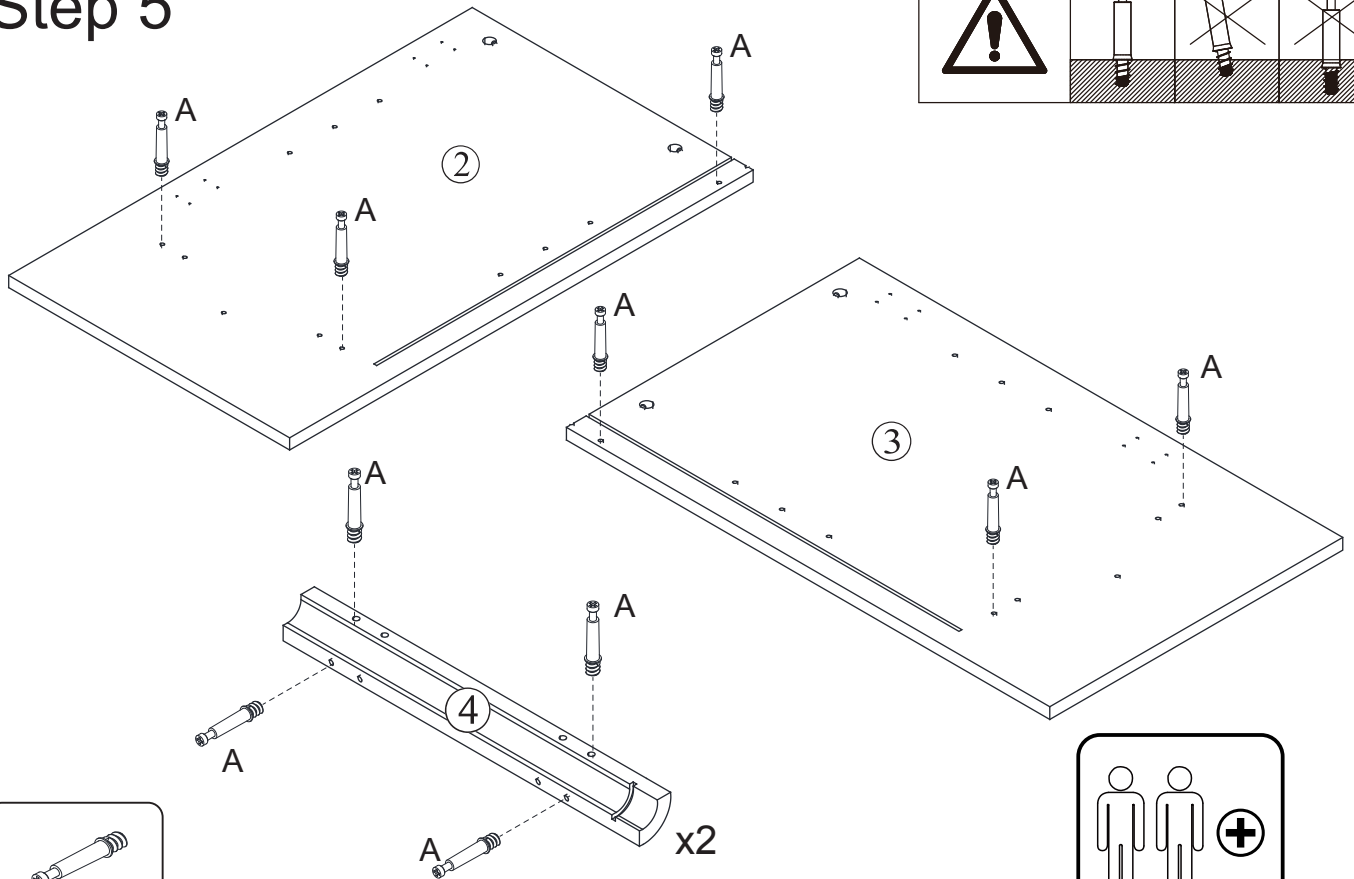
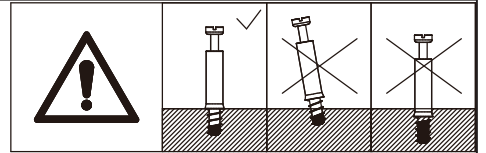


| |
|--|
|  |
| 6x30mm |
| C X 2 |

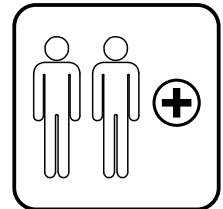
| |
|---|
|  |
| J X 3 |

| |
|---|
|  |
| $\Phi 4 \times 40 \text{mm}$ |
| L X 2 |

Step 5

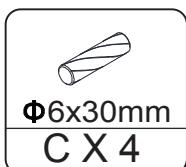
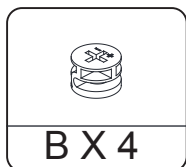
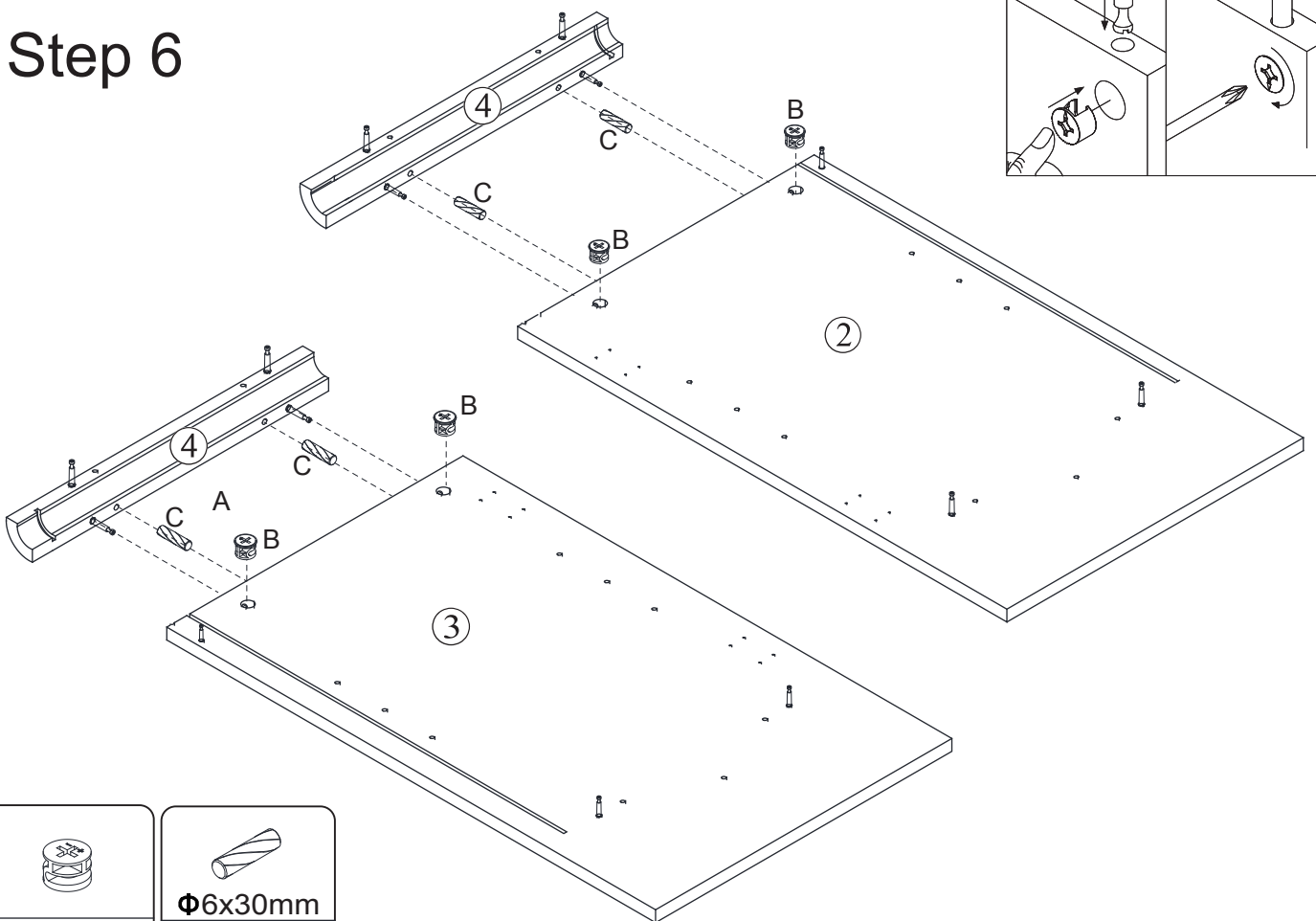
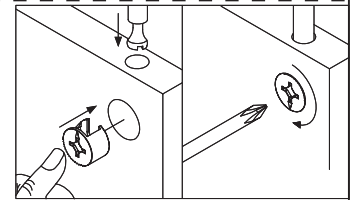


The cam bolt must be perpendicular to the wooden strip.

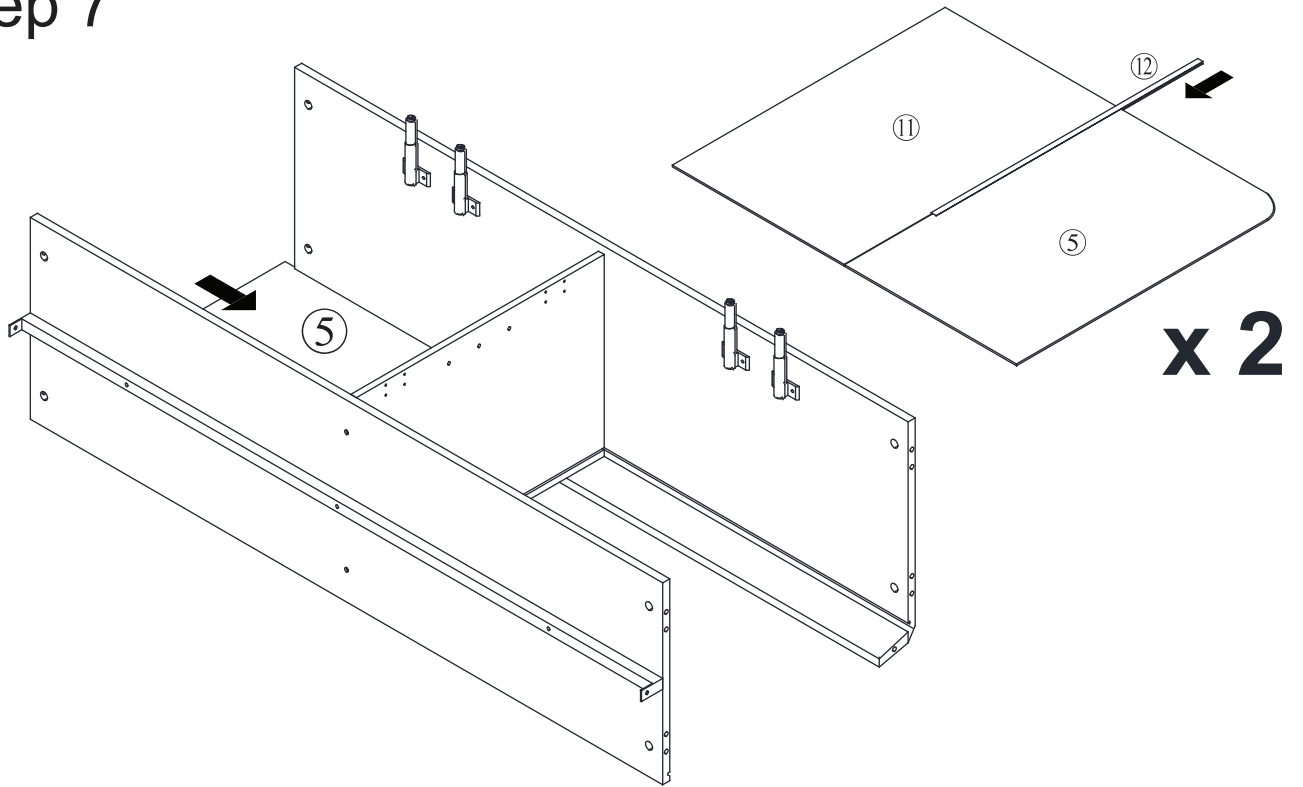


TWO PERSON REQUIRED

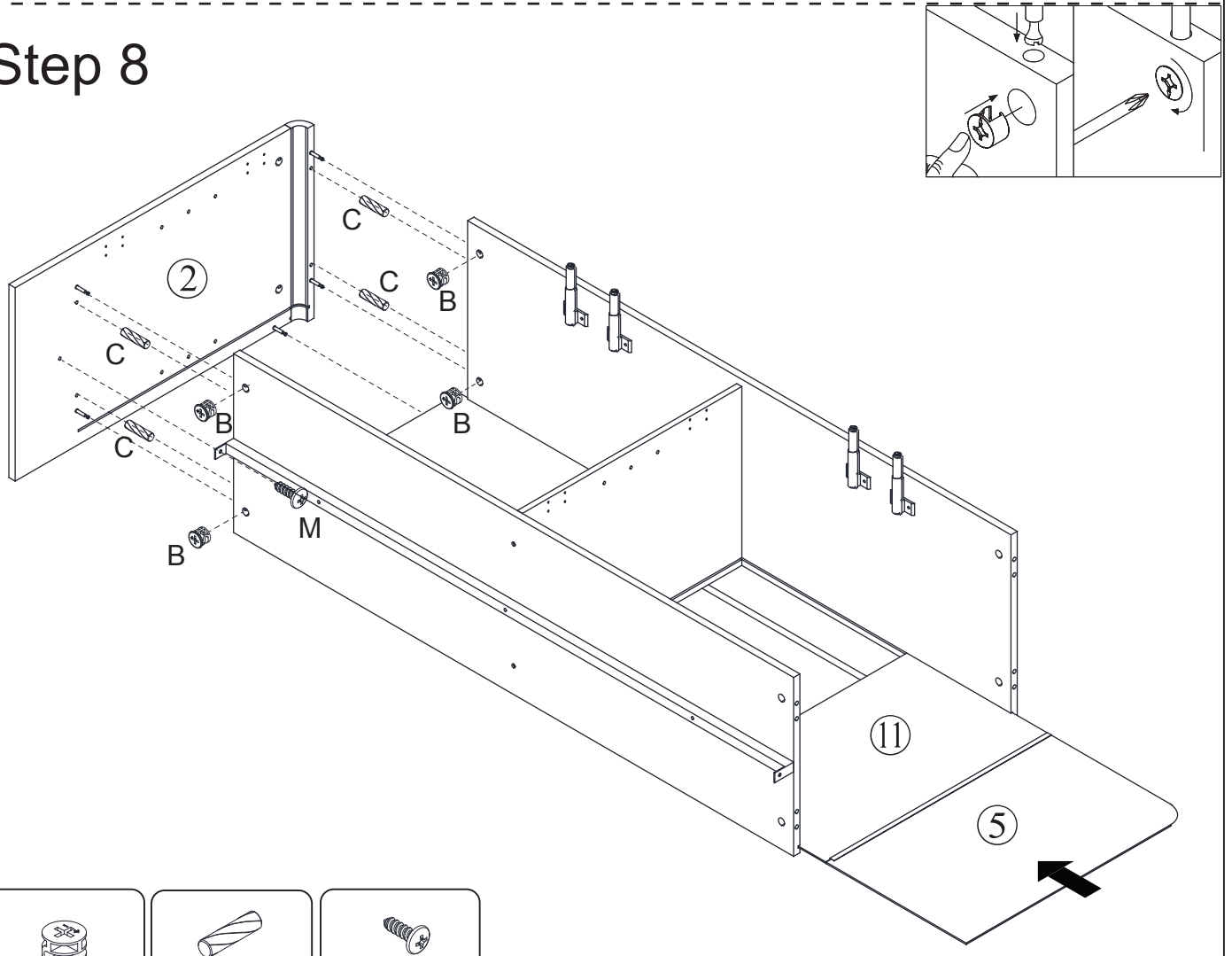
Step 6



Step 7

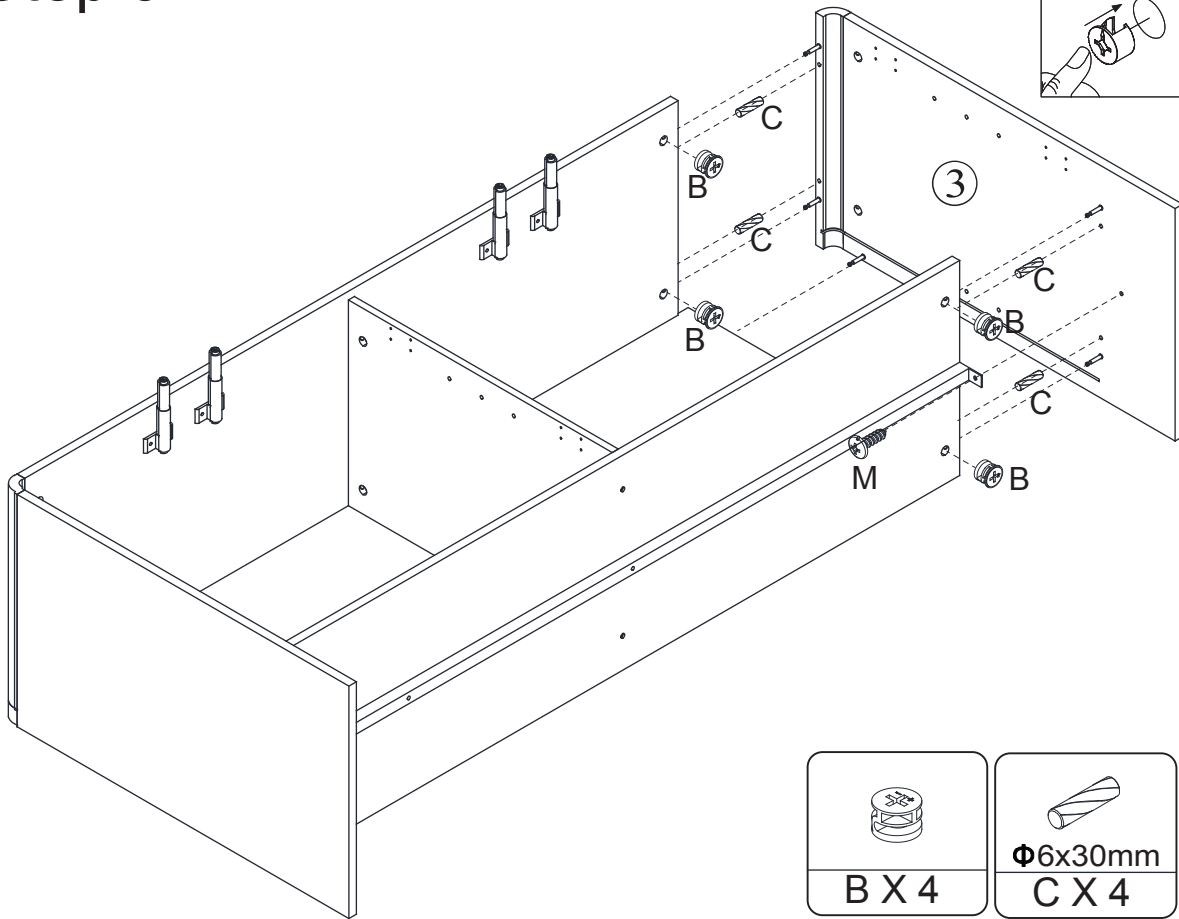


Step 8

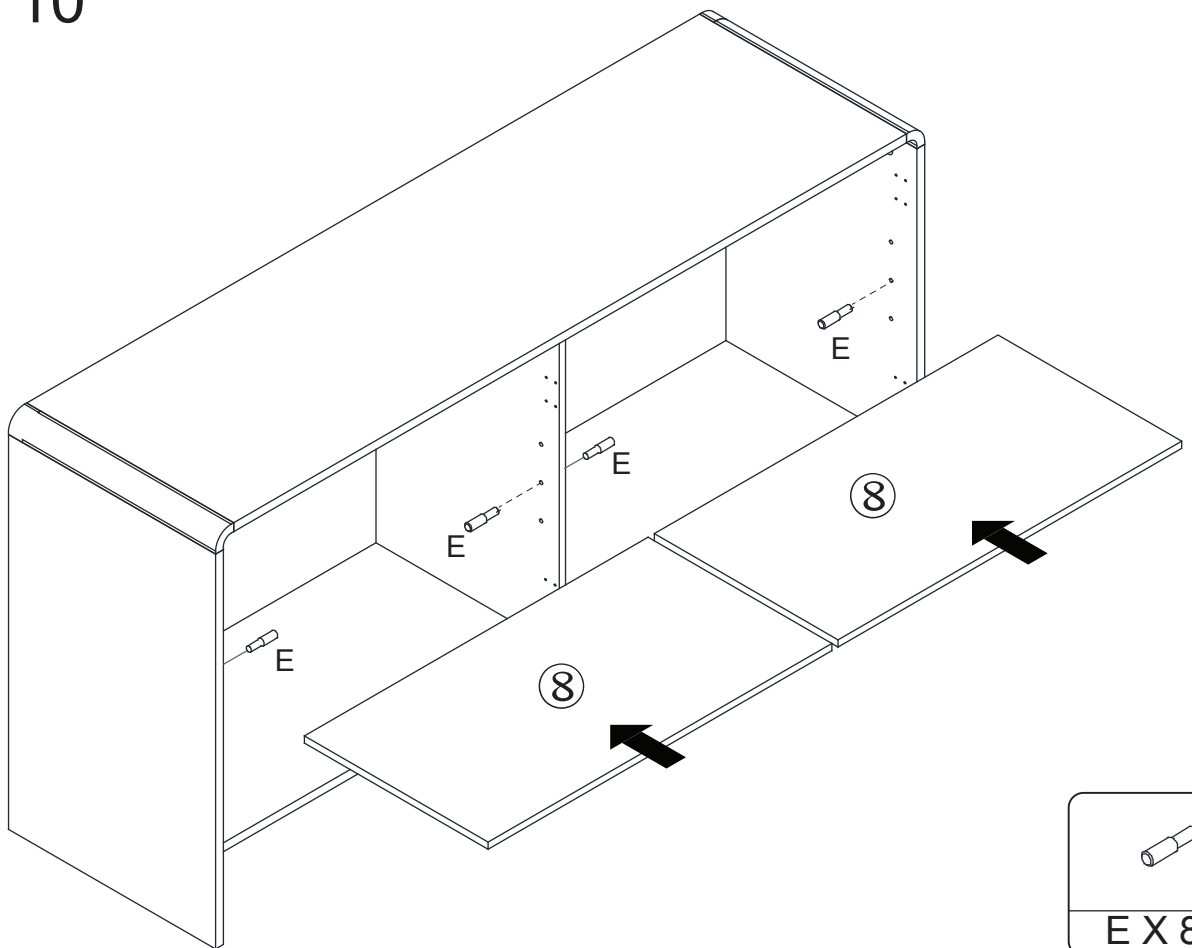


| | | |
|--|---|---|
|  B X 4 |  Φ6x30mm C X 4 |  Φ4x12mm M X 1 |
|--|---|---|

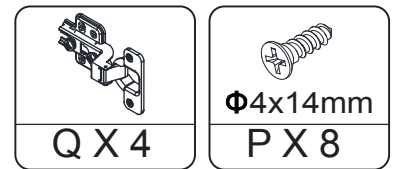
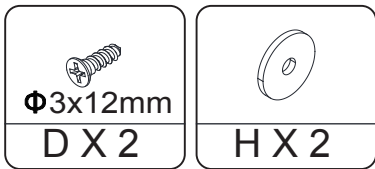
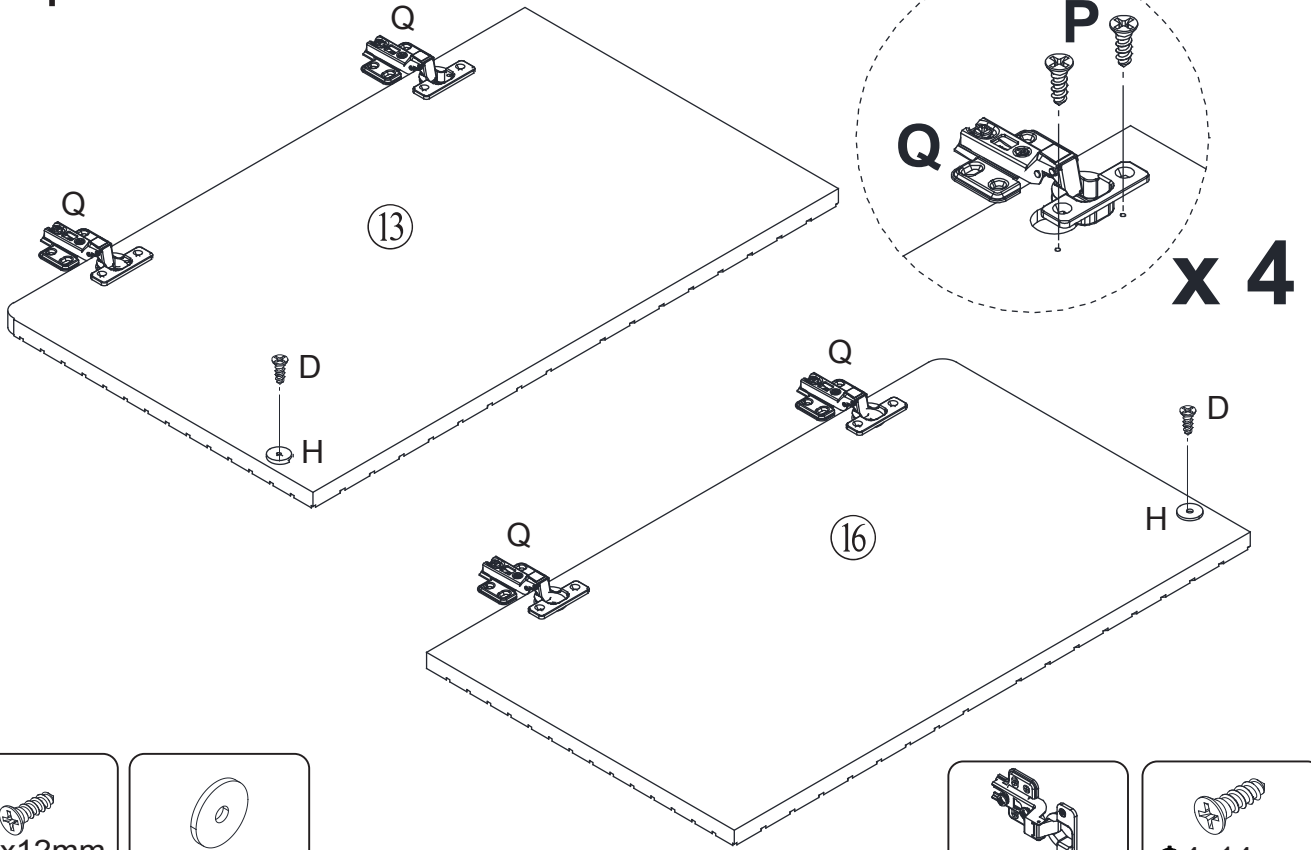
Step 9



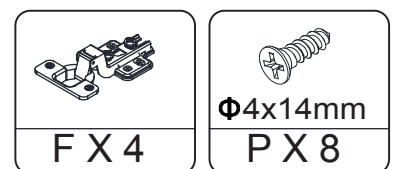
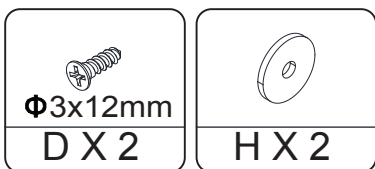
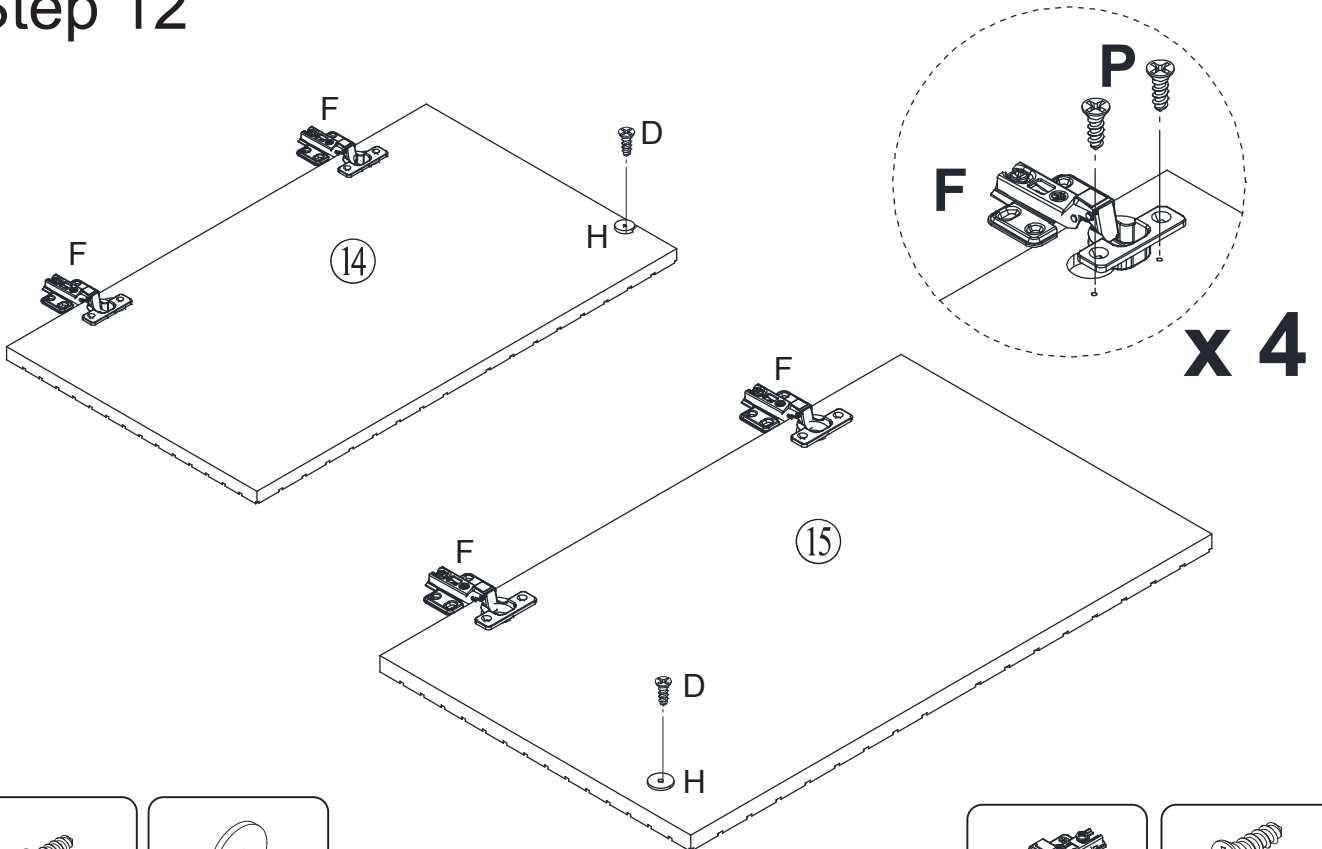
Step 10



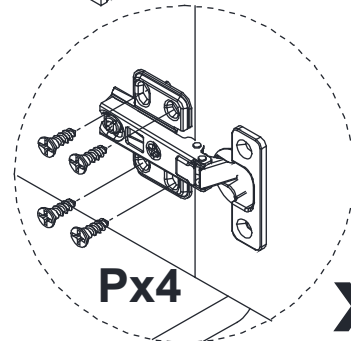
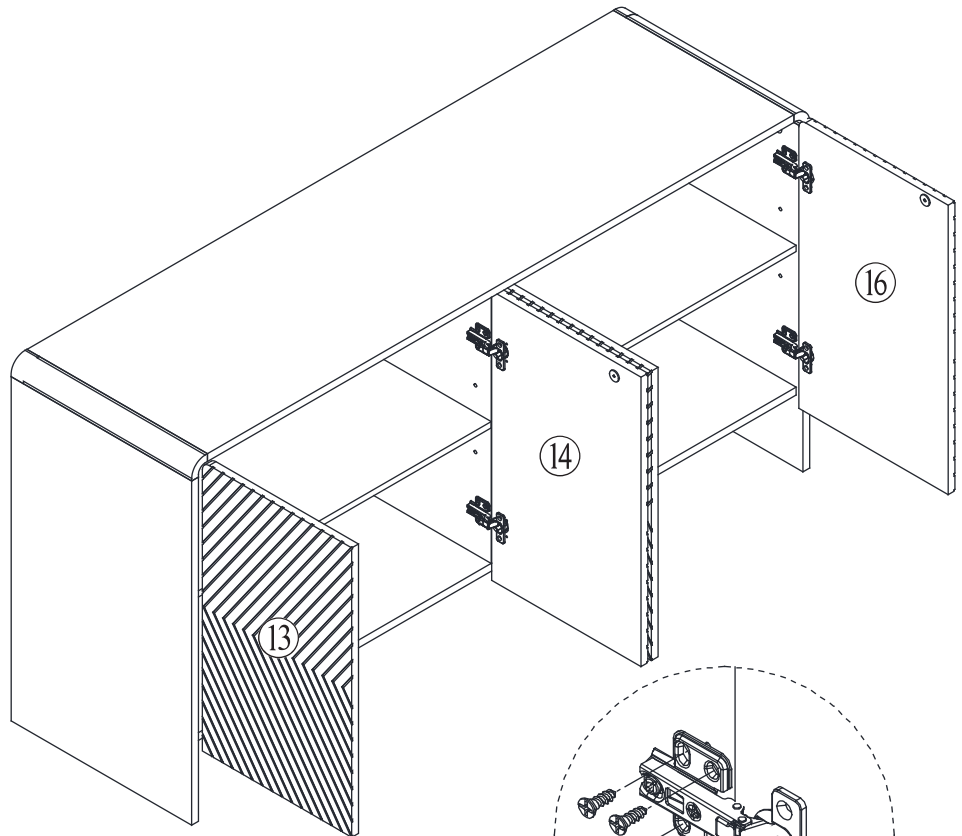
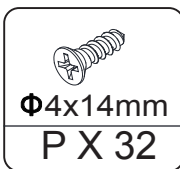
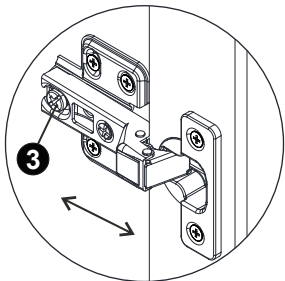
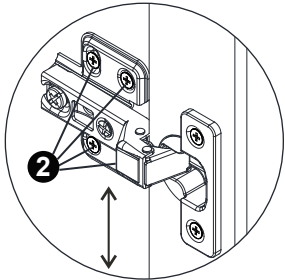
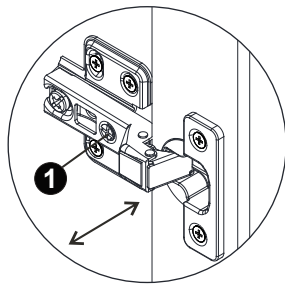
Step 11



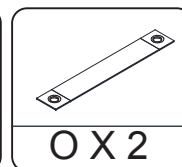
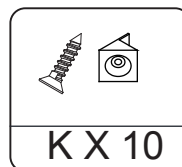
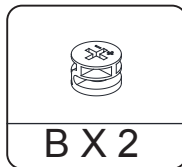
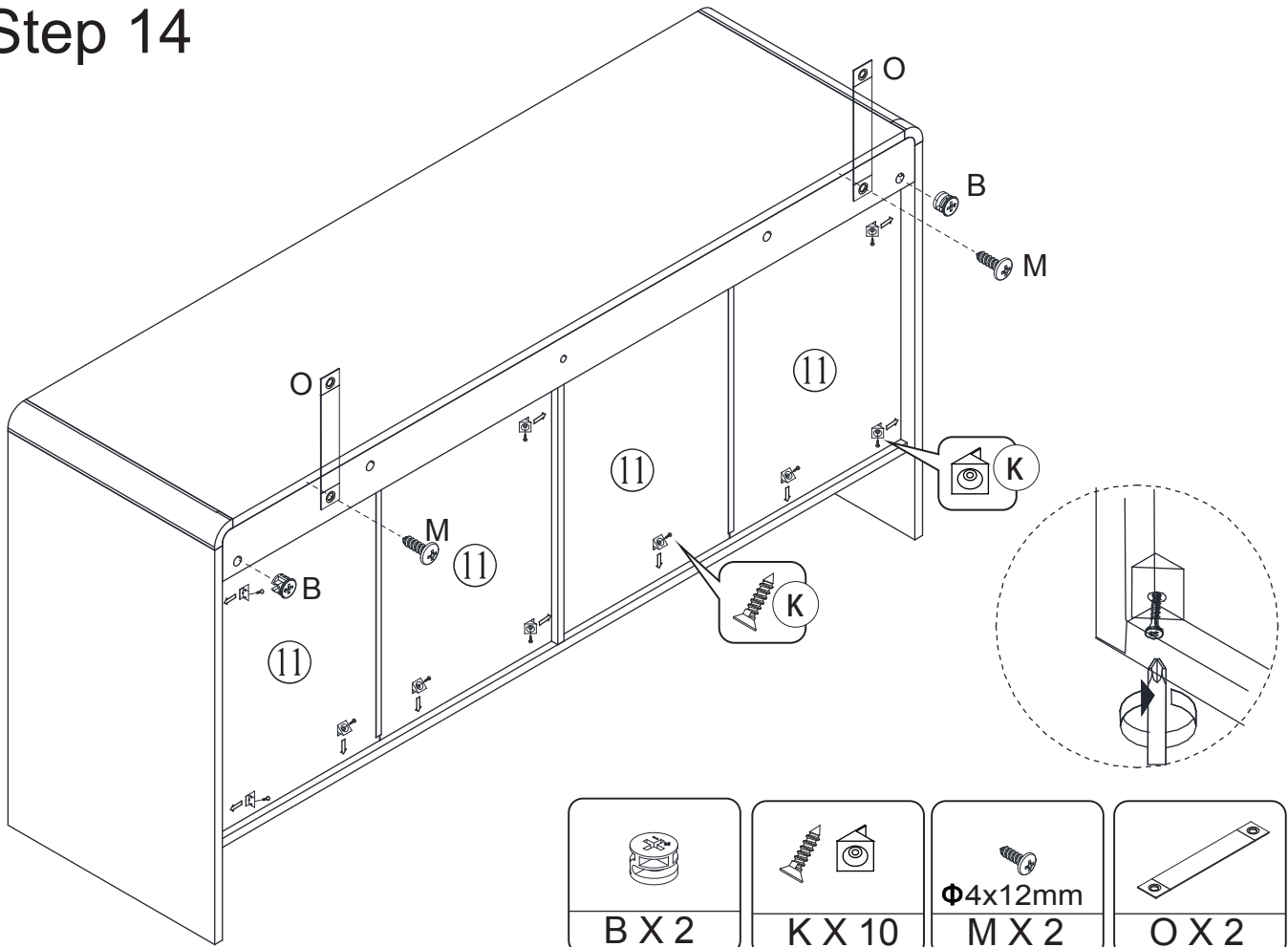
Step 12



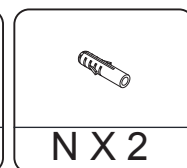
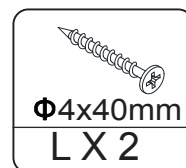
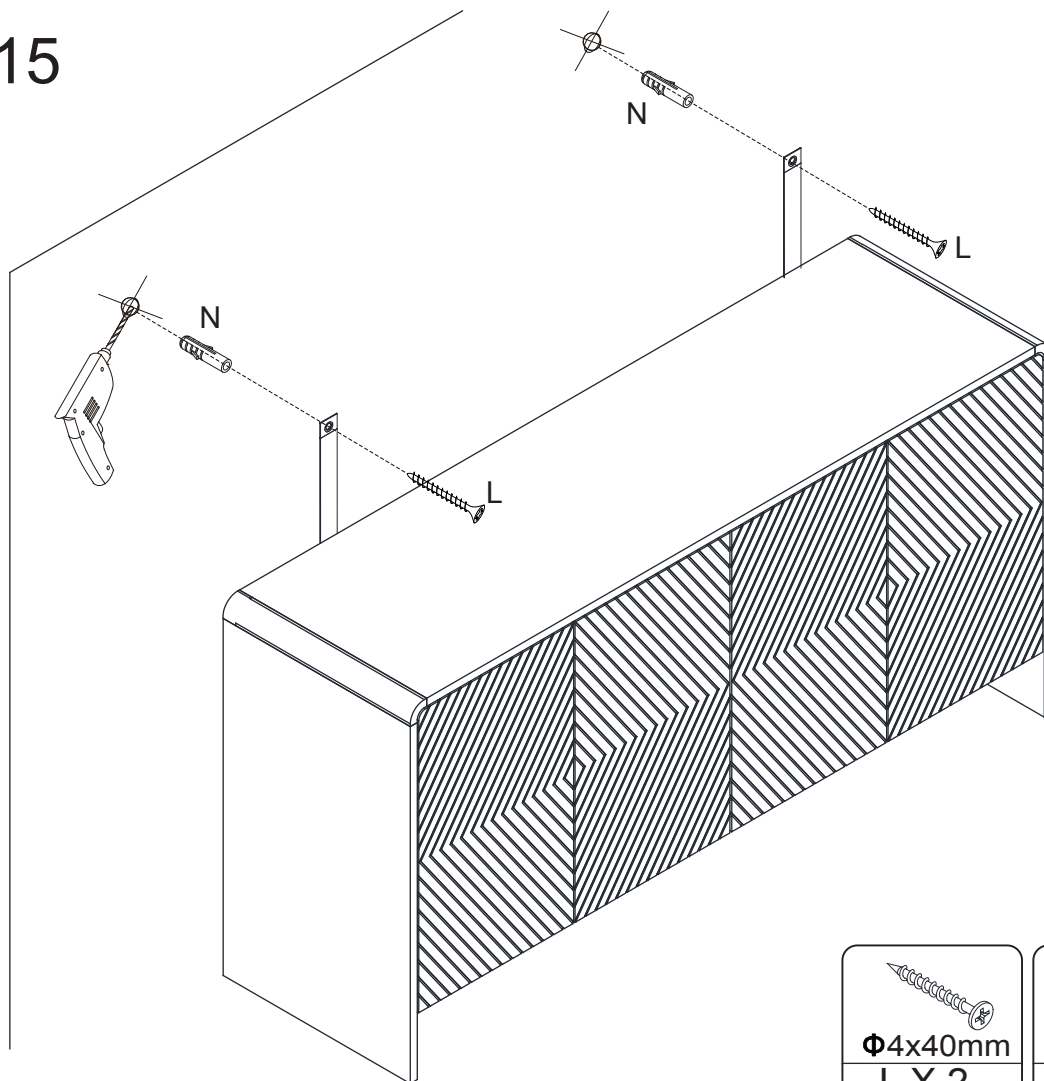
Step 13



Step 14



Step 15



Step 16

