

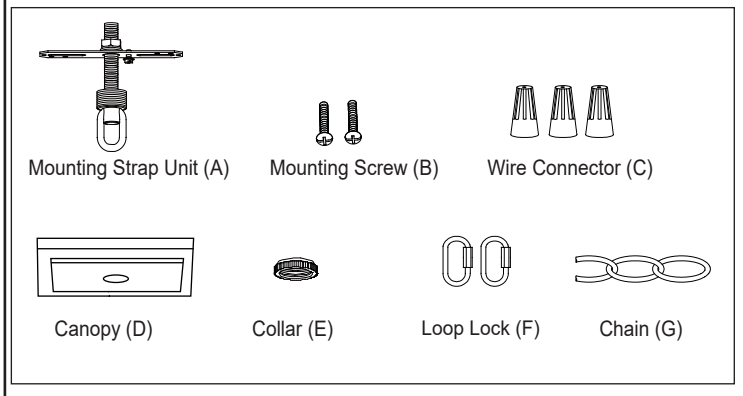
ASSEMBLY AND INSTALLATION INSTRUCTIONS

H0241

WARNING: TO AVOID RISK OF ELECTRICAL SHOCK, BE SURE TO SHUT OFF POWER BEFORE INSTALLING OR SERVICING THIS FIXTURE.

NOTES: 1. Before installing, consult local electrical codes for wiring and grounding requirements.
2. READ AND SAVE THESE INSTRUCTIONS.

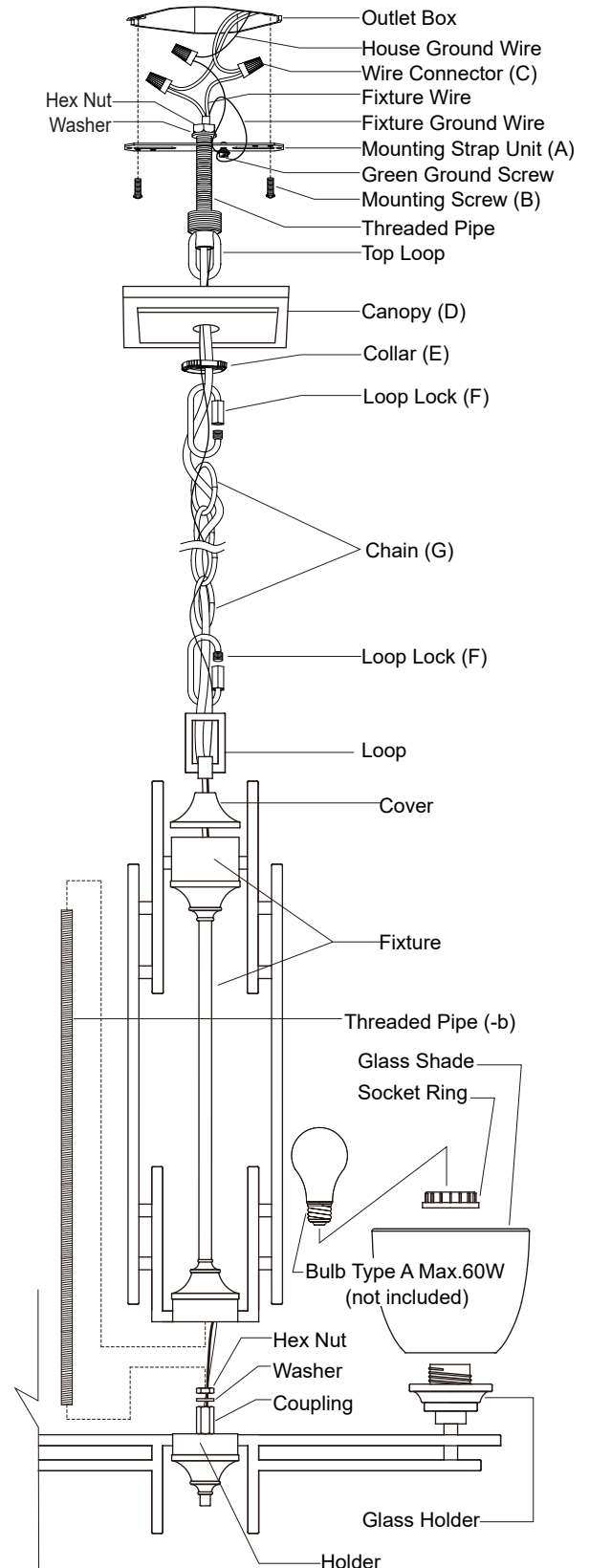
Hardware Package (included):



Installation Steps

Turn off the power at fuse or circuit box

1. Attach mounting strap unit (A) to outlet box using two mounting screws (B).
2. Screw threaded pipe (-b) into the coupling and secure it with a washer and hex nut. Then attach the fixture and the cover with the open side facing downward to the holder by inserting threaded pipe (-b), secure them with the loop.
3. Secure the loop to threaded pipe (-b).
4. Connect the chain (G):
 - Determine needed length of chain (G) to achieve desired fixture height. (To remove excess chain section, use pliers to bend link open.)
 - Weave the fixture wires through the chain (G), collar (E) and canopy (D).
5. Connect one end of the chain (G) to the loop using a loop lock (F).
6. Connect the other end of the chain (G) to the top loop using the other loop lock (F).
7. Thread the fixture wire and fixture ground wire through the top loop, threaded pipe and mounting strap unit (A).



8. Pull out the source wires from the outlet box. Make wire connections using wire connectors (C) as follows:
 - Connect the smooth-coated wire (marked) from the fixture to the black wire from the power source.
 - Connect the ribbed-coated wire (unmarked) from the fixture to the white wire from the power source.
 - Attach the fixture ground wire to the mounting strap unit (A) with the green ground screw, and then connect it to the house ground wire with a wire connector (C).
 Carefully put the wires back into the outlet box.
9. Attach the canopy (D) to the mounting strap unit (A), insert the top loop through hole, and then secure it by tightening collar (E).
10. Attach the glass shade to the glass holder, then secure it with socket ring.
11. Install four bulbs (not included).
See relamping label at socket area or packaging for maximum allowed wattage.

Turn on the power at fuse or circuit box

The following parts are available for re-order if damaged or missing.

Spare Parts List:

Assembly Kit X-H0068 (1SET)

Mounting Strap Unit (A) Mounting Screw (B) Wire Connector (C)

Canopy (D) Collar (E) Loop Lock (F) Chain (G)

Glass Shade 10068 (4PCS)

