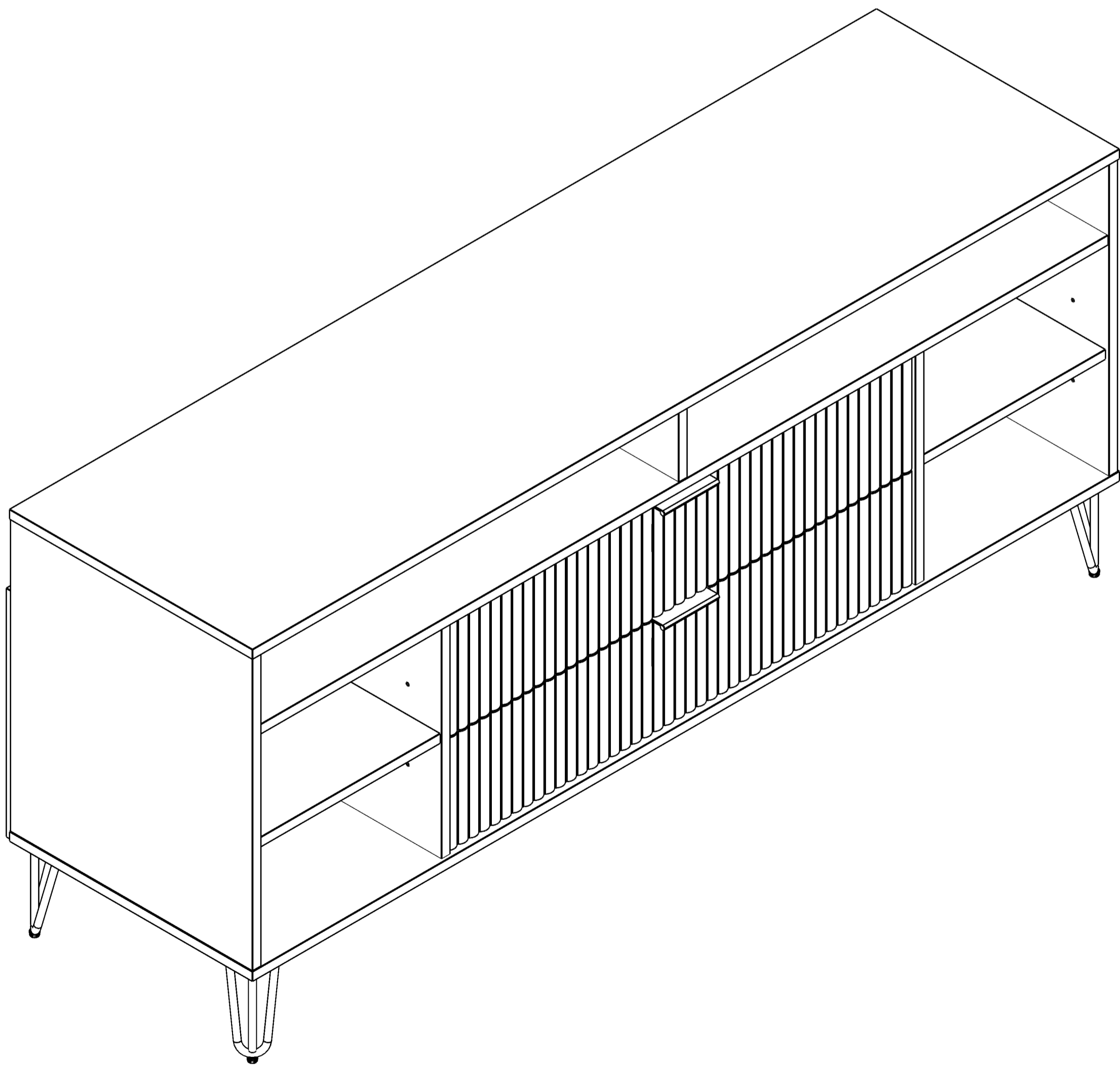




**MANHATTAN  
COMFORT**

---

**TV001**



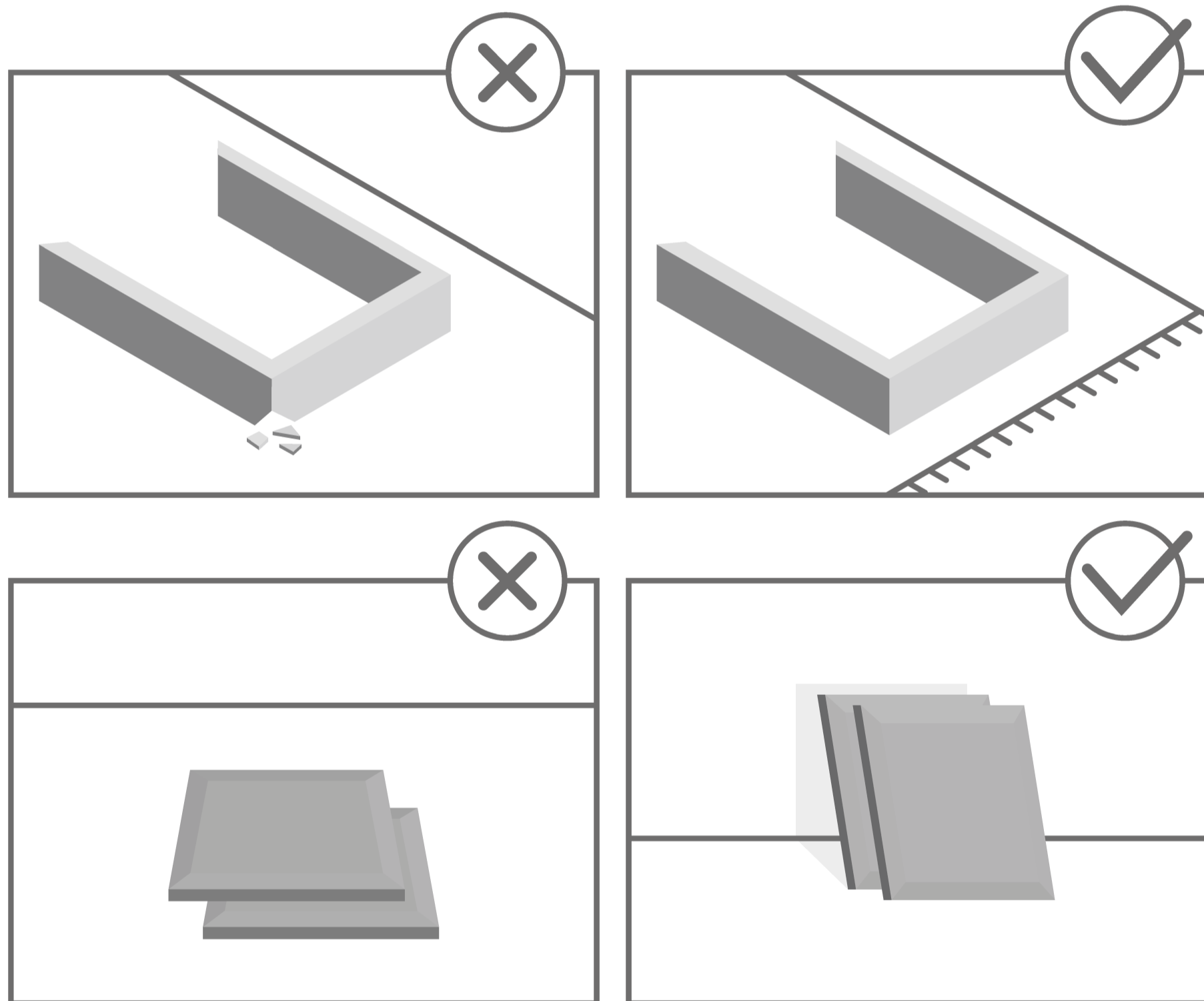


# STOP!

Before beginning the assembly process, ensure all boxes and parts have been delivered.

## FOR BEST RESULTS:

- Do not throw away packaging materials until assembly is complete.
- Assemble item on a soft surface, such as cardboard or carpet, to protect finish.
- Proper assembly requires two people.



View our assembly video online:  
[WWW.MANHATTANCOMFORT.COM](http://WWW.MANHATTANCOMFORT.COM)



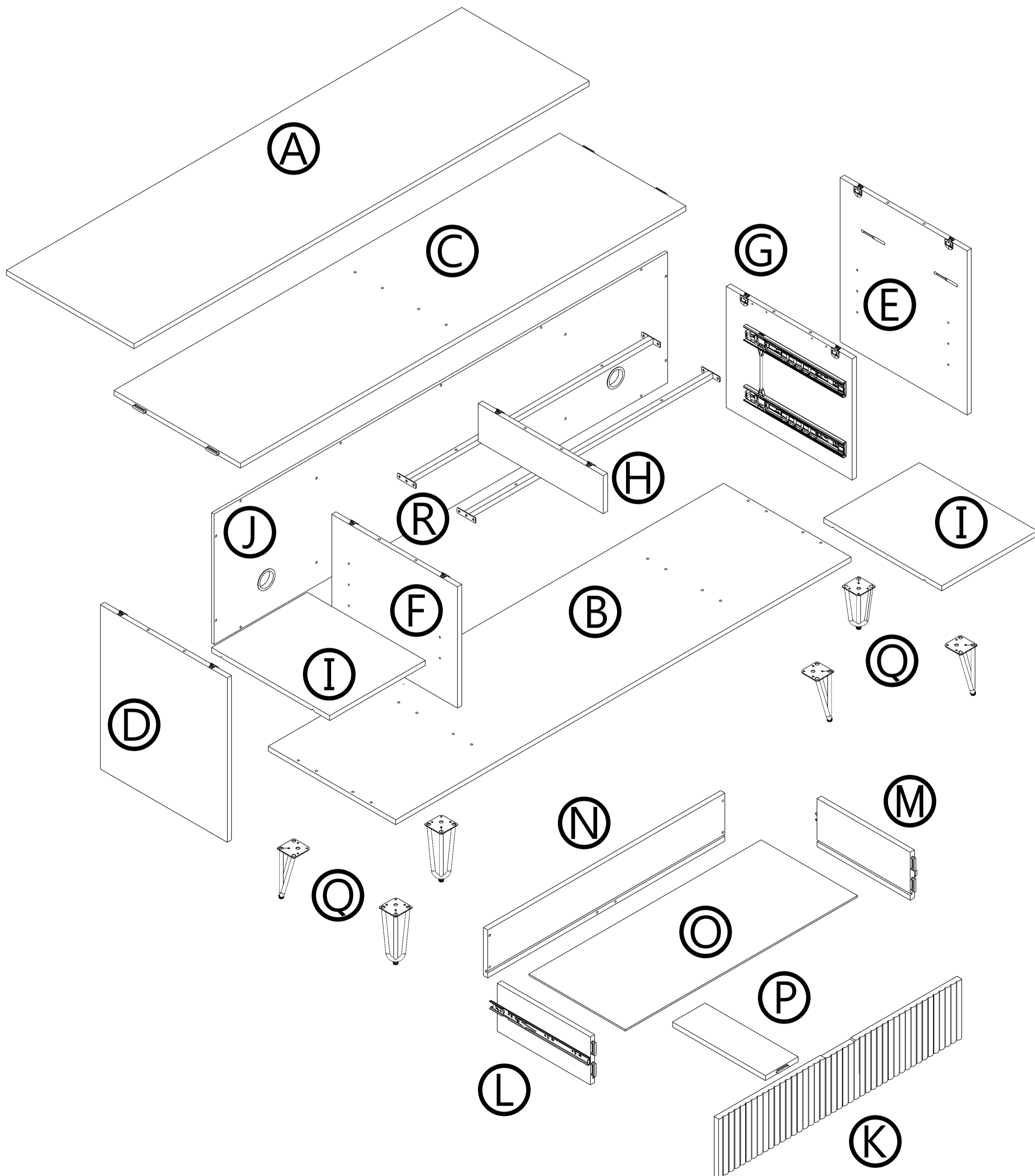
Stuck? Question? We are here to help.  
tel: 908-888-0818  
e-mail: [help@manhattancomfort.com](mailto:help@manhattancomfort.com)

Support Site



# Included in this package:

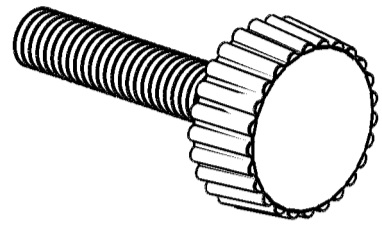
- A: TOP (1)
- B: BOTTOM (1)
- C: MIDDLE(1)
- D: LEFT END (1)
- E: RIGHT END (1)
- F: LEFT UPRIGHT (1)
- G: RIGHT UPRIGHT (1)
- H: MIDDLE UPRIGHT (1)
- I: ADJUSTABLE SHELVES (2)
- J: BACK (1)
- K: DRAWER FRONT (2)
- L: DRAWER SIDE LEFT (2)
- M: DRAWER SIDE RIGHT (2)
- N: DRAWER BACK (2)
- O: DRAWER BOTTOM (2)
- P: DRAWER BOTTOM SUPPORT (2)
- Q: LEG (6)
- R: CONNECTING TUBE (2)



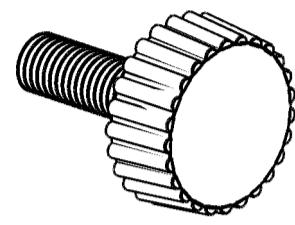
# Hardware Identification

---

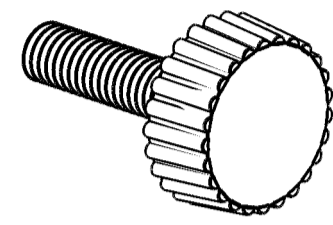
① BOLT - 22pcs  
M4\*30mm



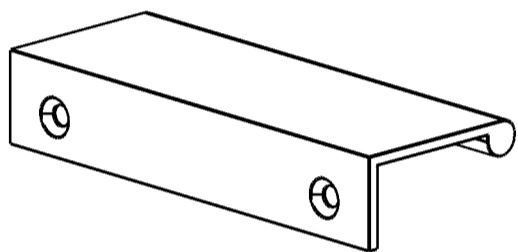
② BOLT - 36pcs  
M4\*12mm



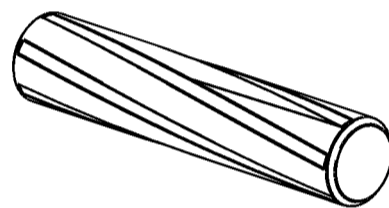
③ BOLT - 22pcs  
M4\*25mm



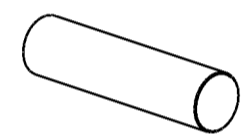
④ PULL - 2pcs



⑤ 2 WOOD DOWEL - 20pcs  
Ø6\*30mm



⑥ SHELF PIN - 8pcs



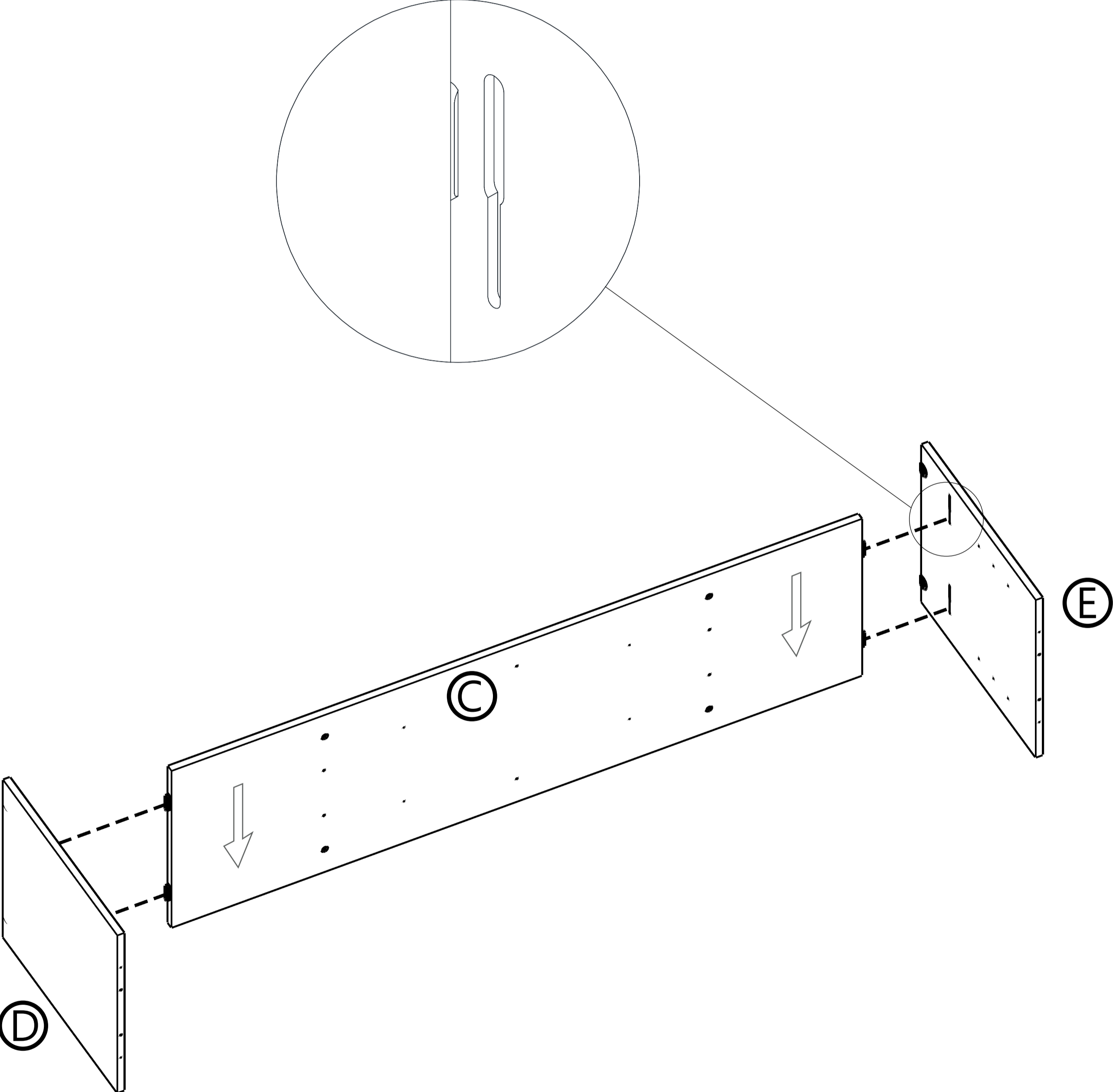
⑦ GROMMET - 2pcs



# Step 1

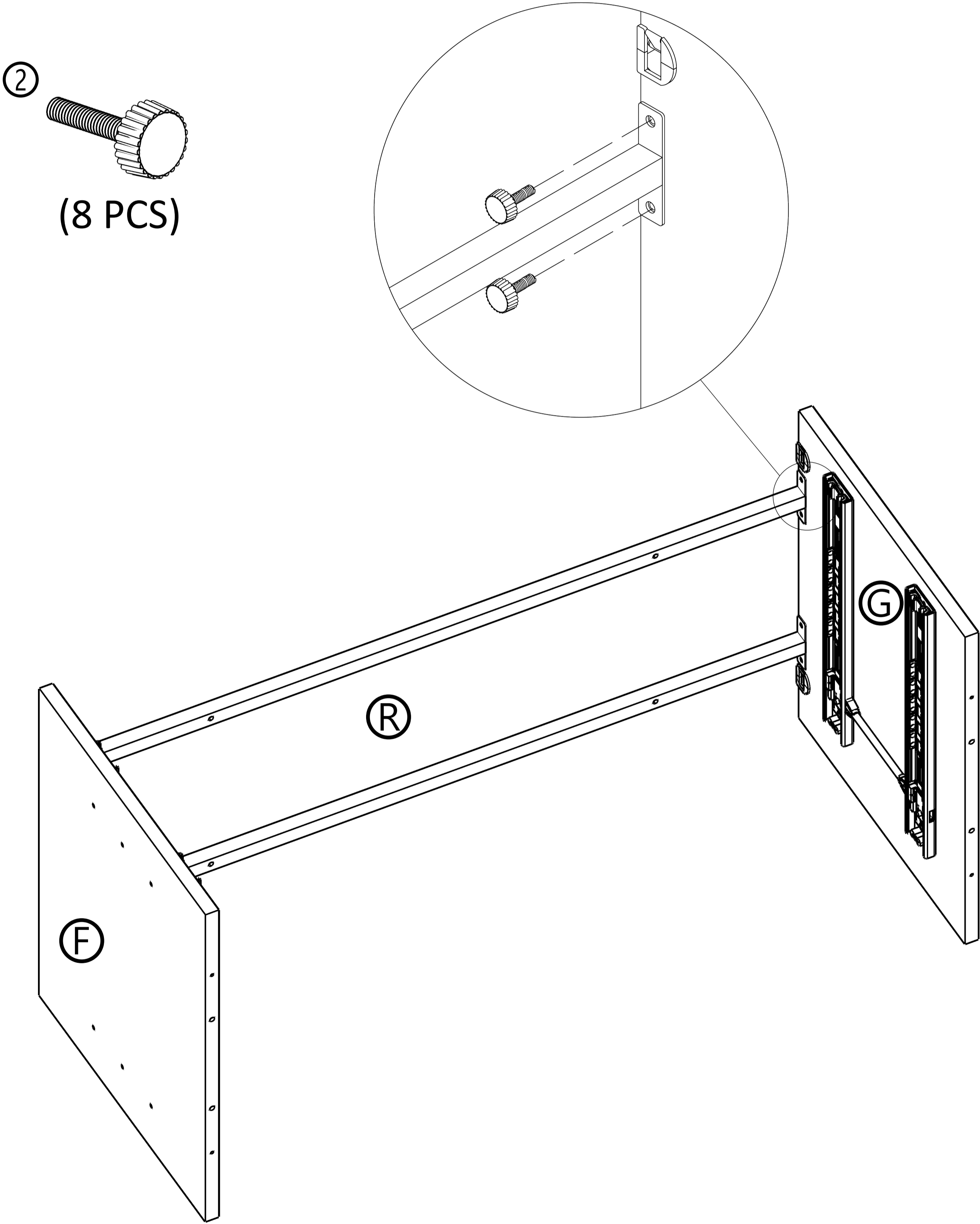
---

◆ Attach the END SIDE (D and E) to the MIDDLE(C),  
slide the PLASTIC CONNECTIONS to the grooves.



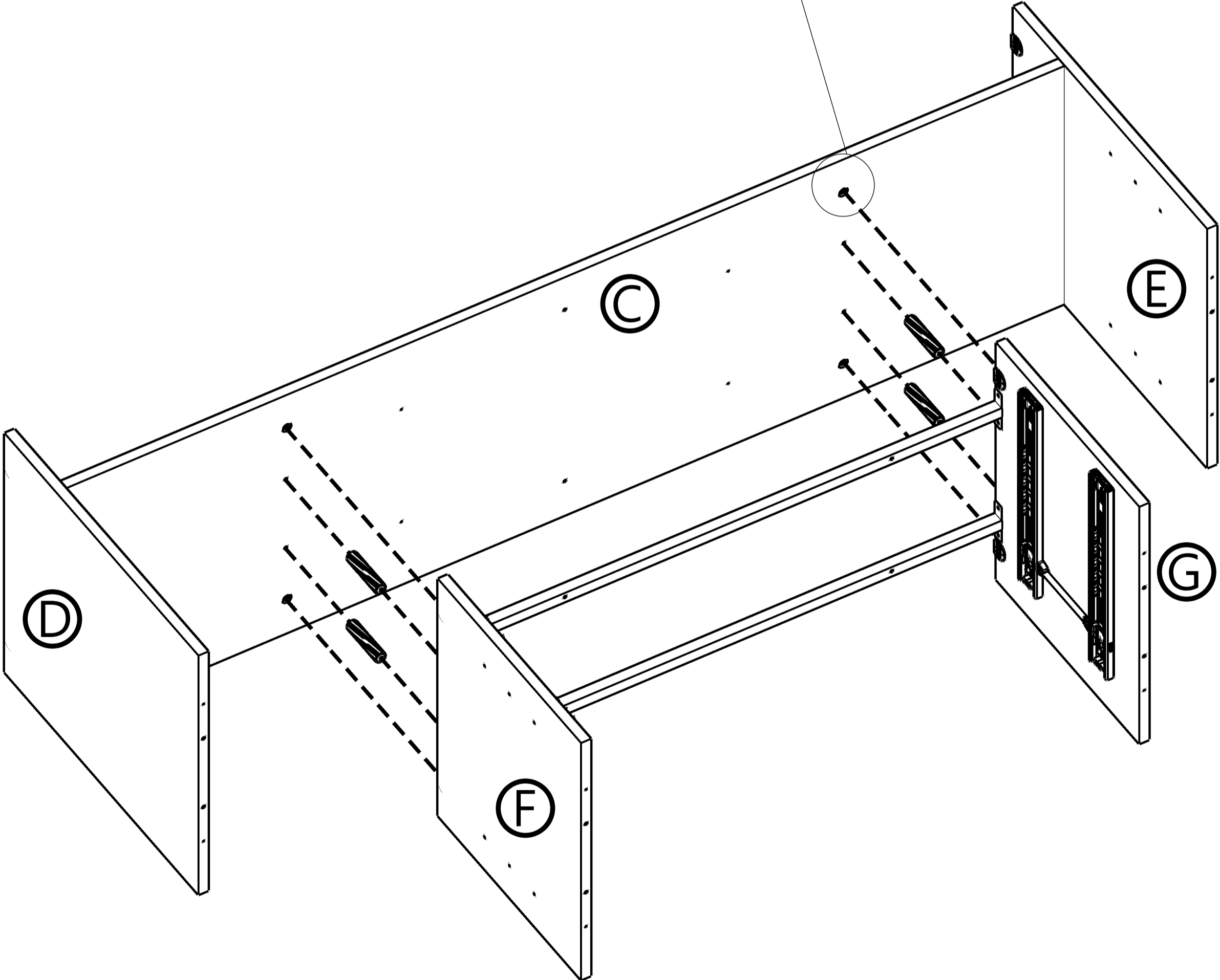
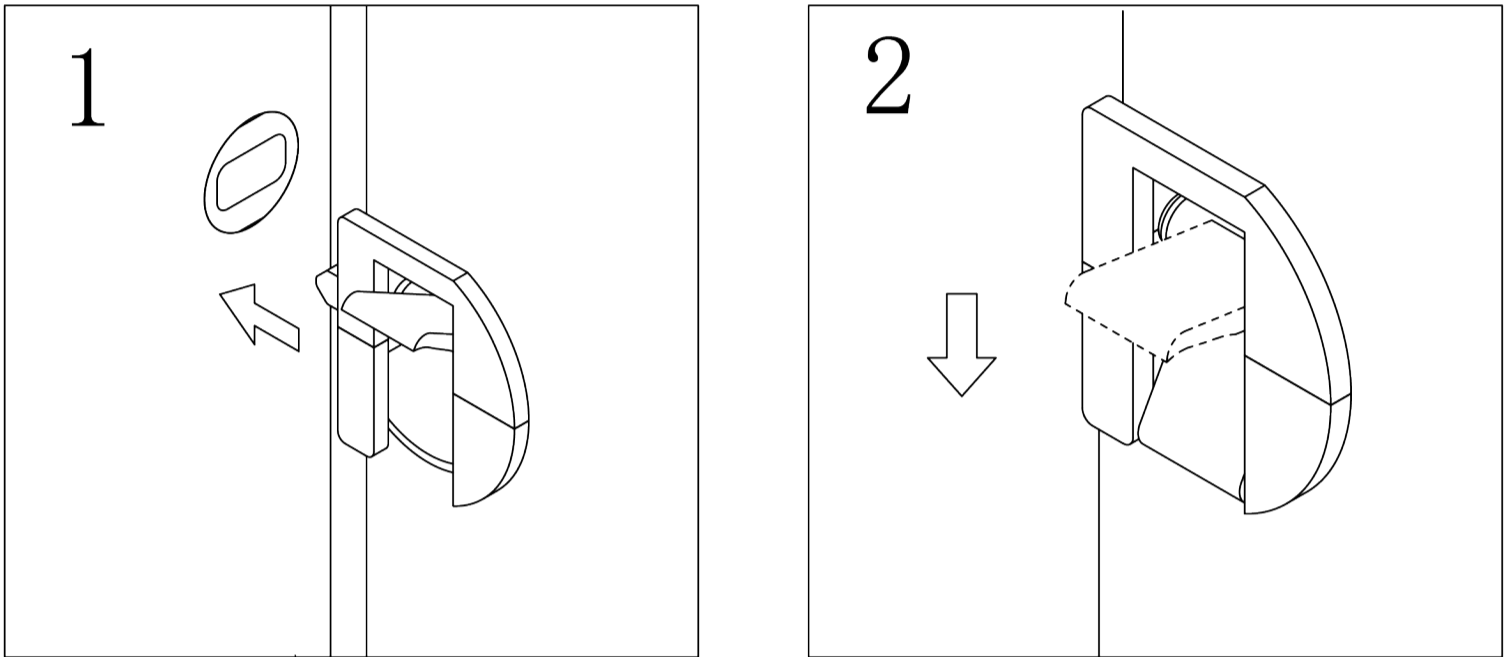
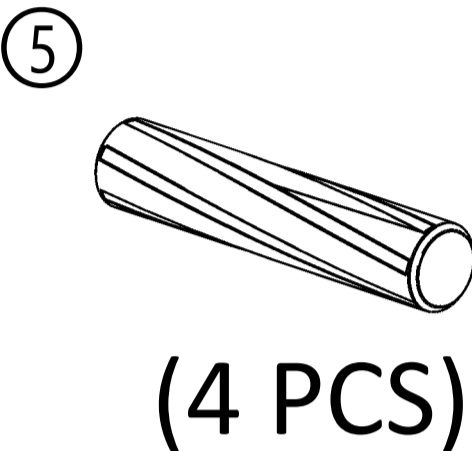
# Step 2

◆ Attach the two CONNECTING TUBES (R) to the UPRIGHT (F and G) by using eight BOLTS (2).



# Step 3

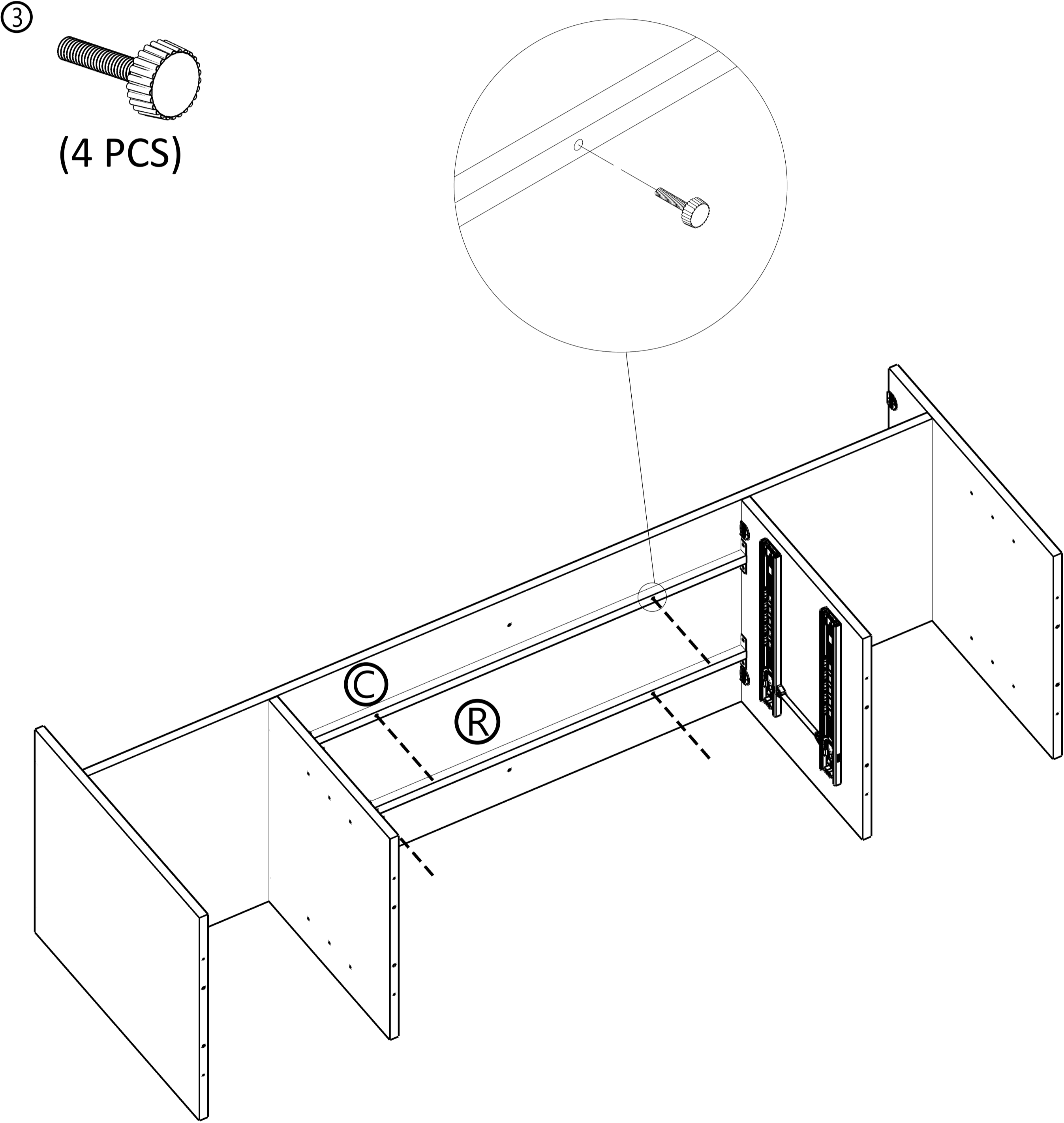
◆Insert four WOOD DOWELS (5) to the MIDDLE (C).



# Step 4

---

◆Fasten the two CONNECTING TUBES (R) to the MIDDLE (C) by using four BOLTS (3).

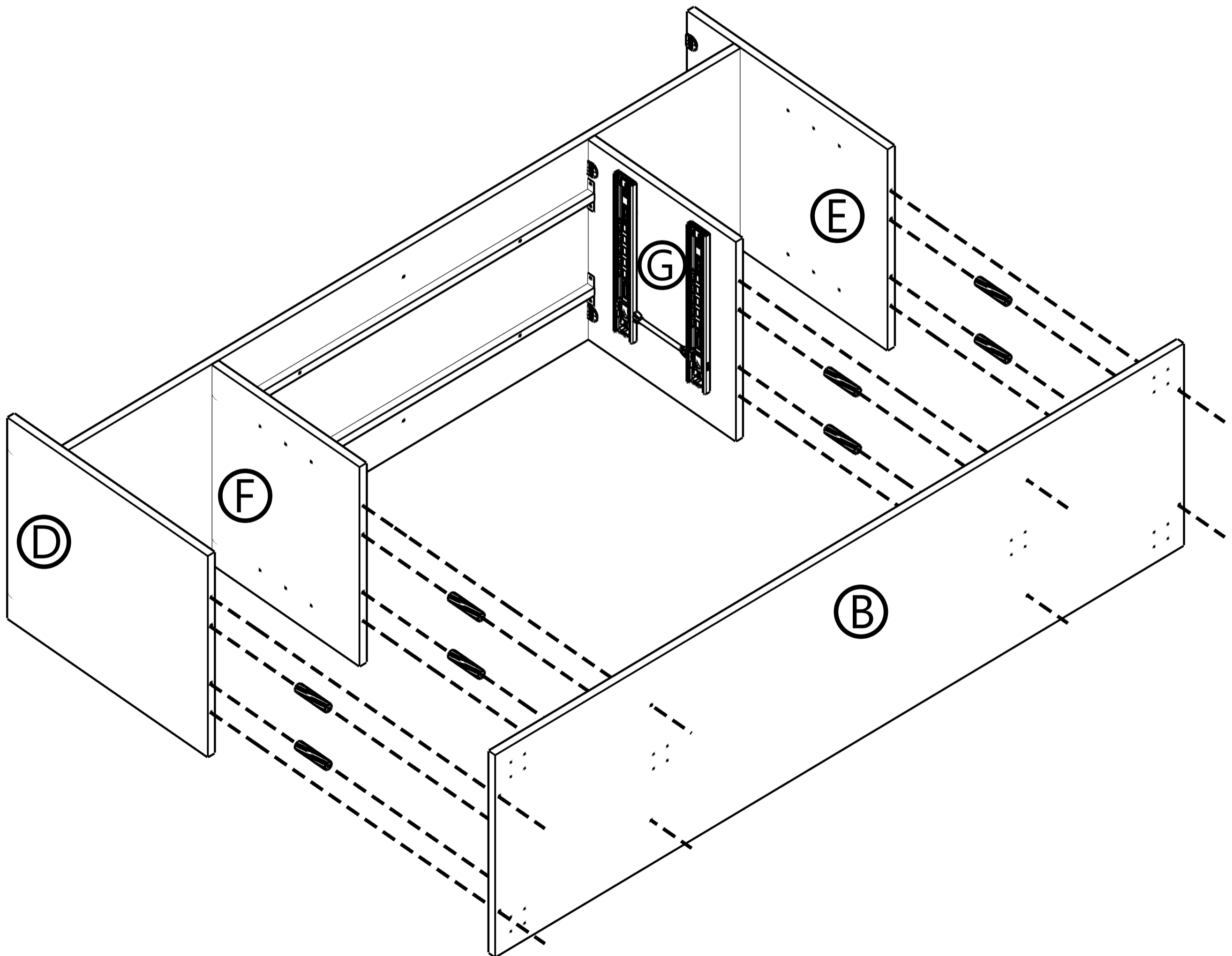
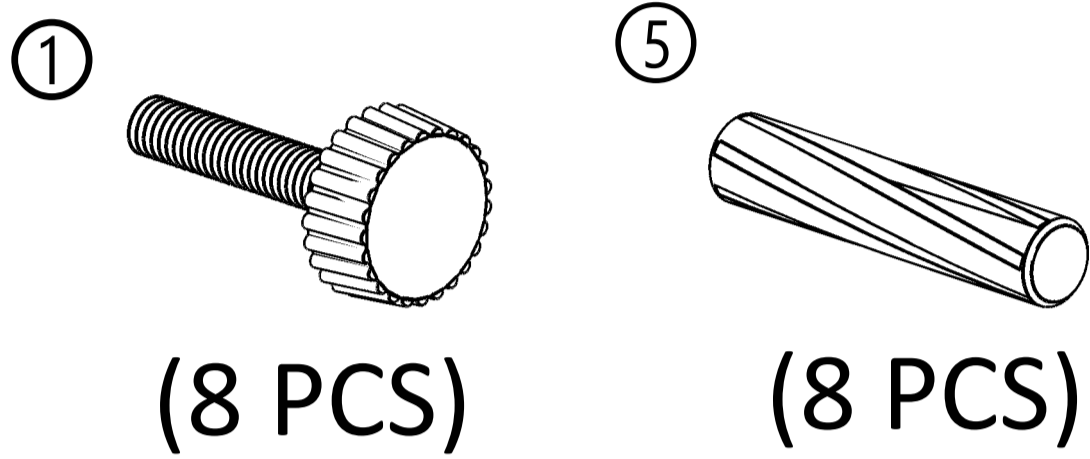




# Step 5

---

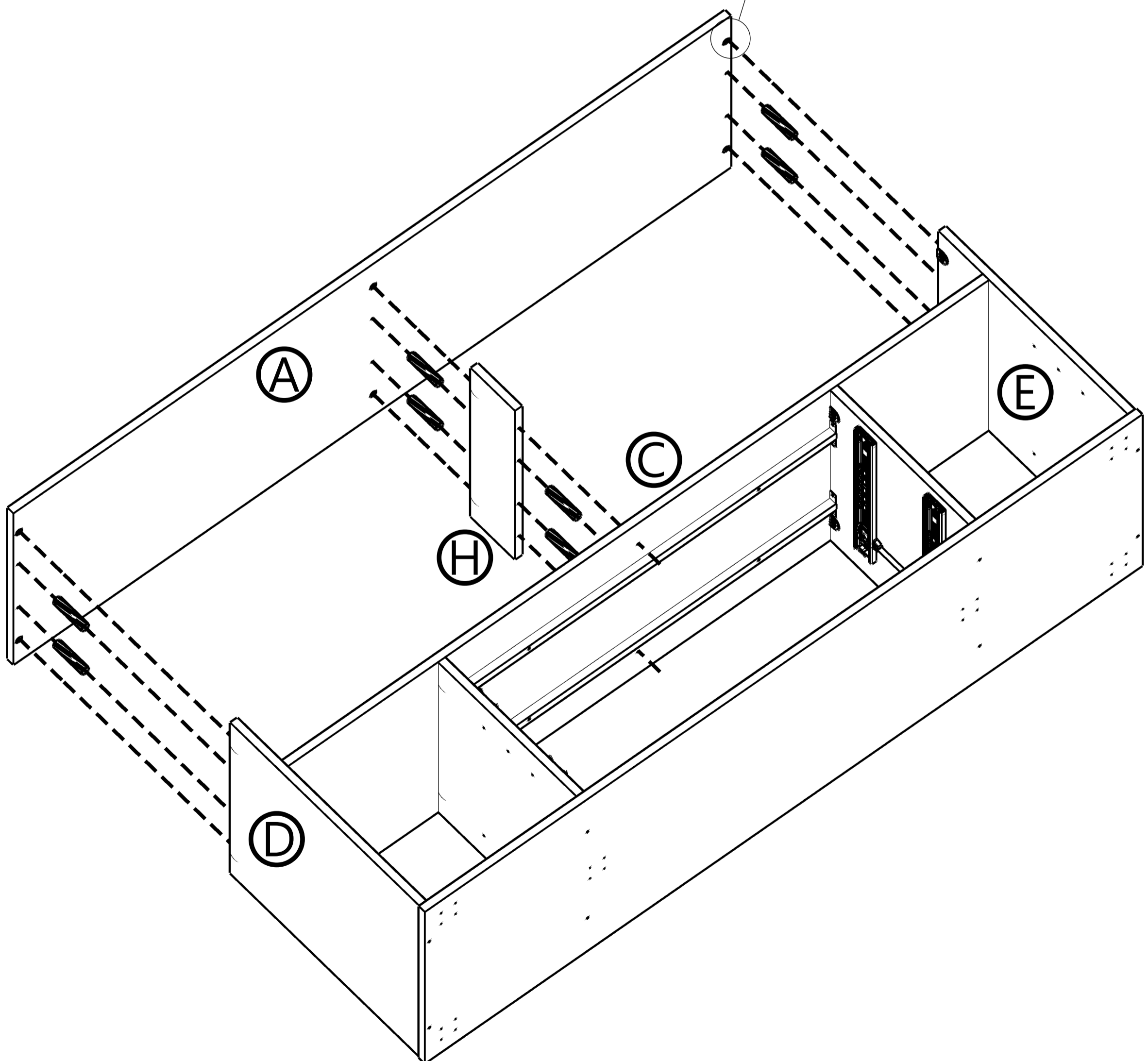
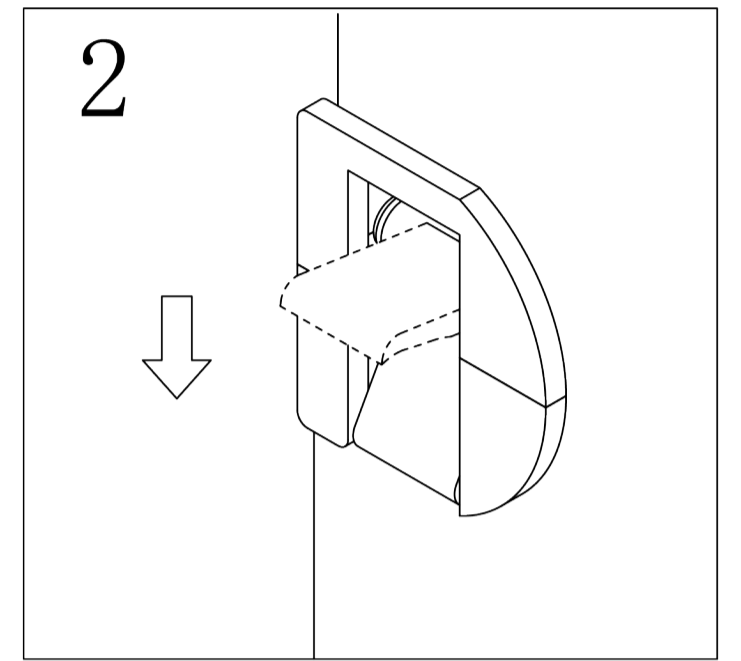
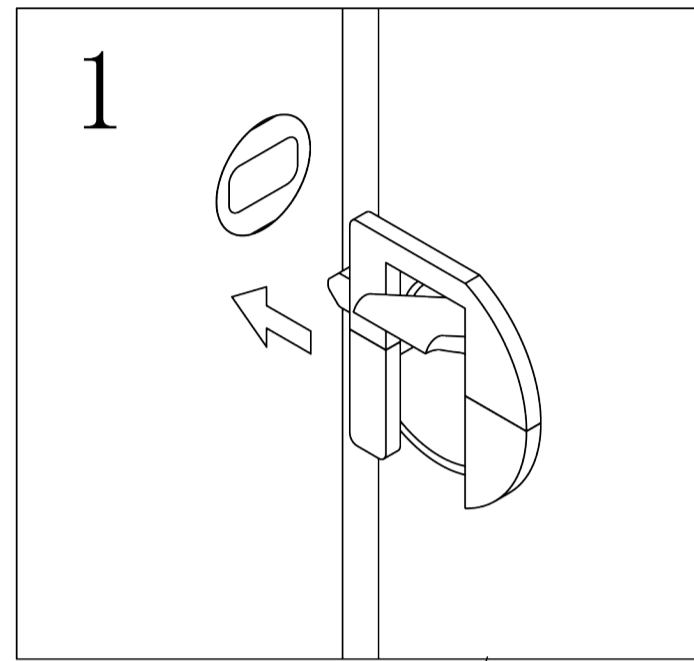
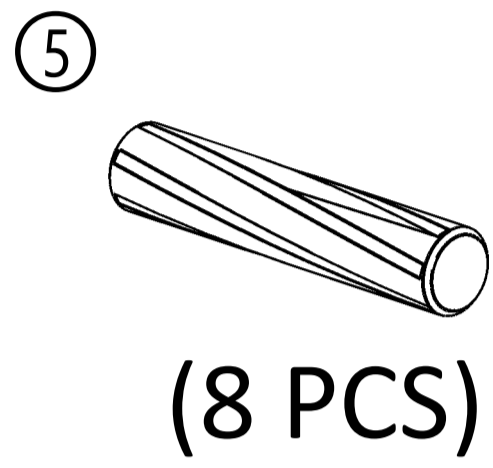
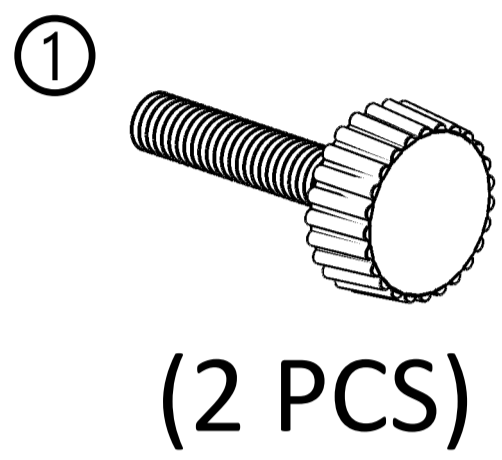
- ◆ Insert eight WOOD DOWELS (5) to the BOTTOM (B).
- ◆ Attach the BOTTOM (B) to the ENDS ( D and E) and the UPRIGHTS (F and G), fasten the BOTTOM (B) by using eight BOLTS (1).
- ◆ You should start each BOLT a few turns before completely tightening any of them.



# Step 6

◆ Insert eight WOOD DOWELS (5) to the TOP (A) and MIDDLE (C).

◆ Attach the TOP (A) to the ENDS (D and E) and the MIDDLE UPRIGHT (H), tighten six PLASTIC CAM LOCKS.

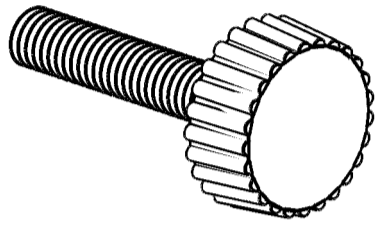


# Step 7

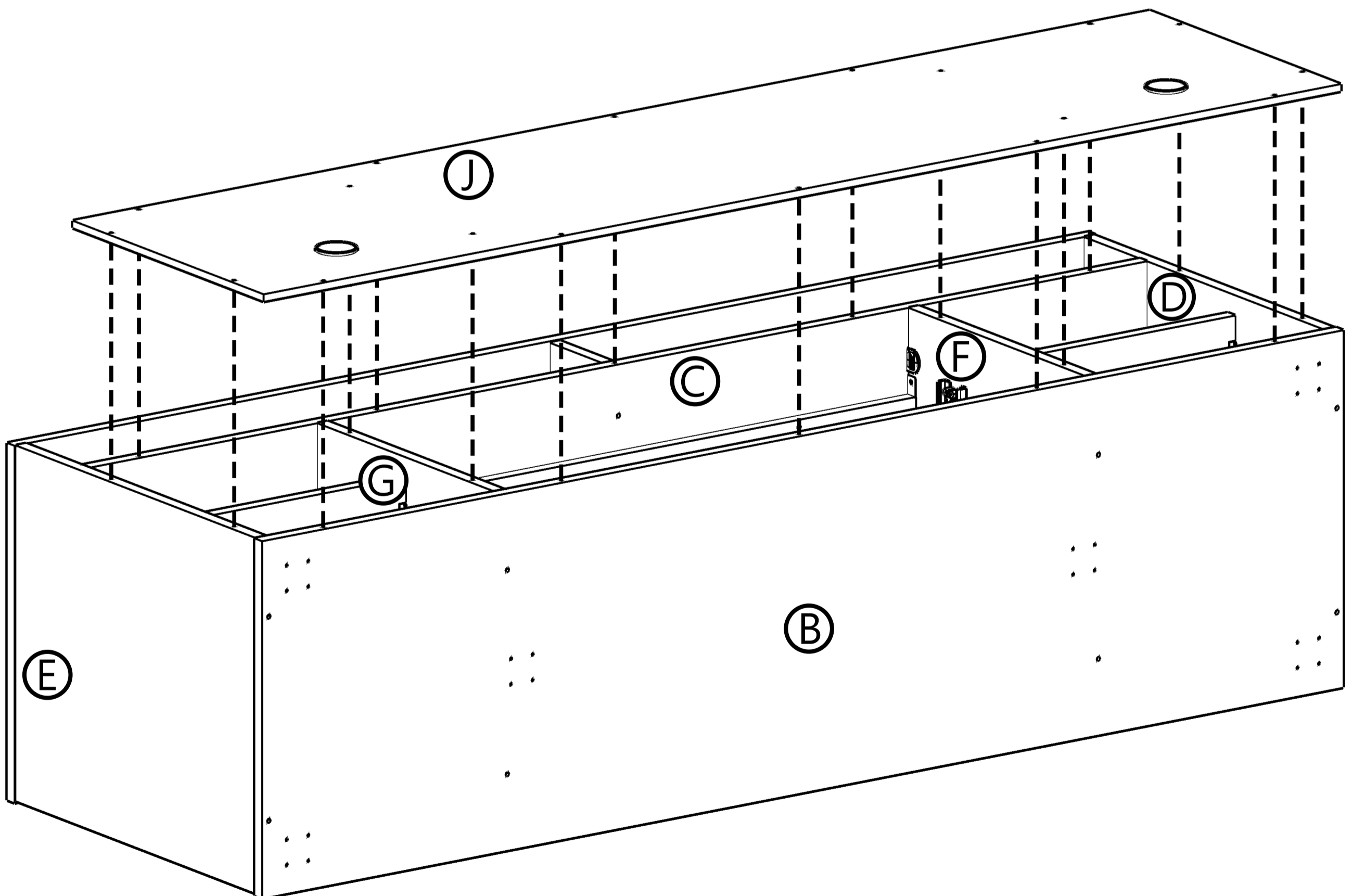
---

- ◆Fasten BACK (J) to the MIDDLE (C), the ENDS (D and E), the UPRIGHTS (F and G) and the BOTTOM (B) by using eighteen BOLTS (1).
- ◆You should start each BOLT a few turns before completely tightening any of them.

③

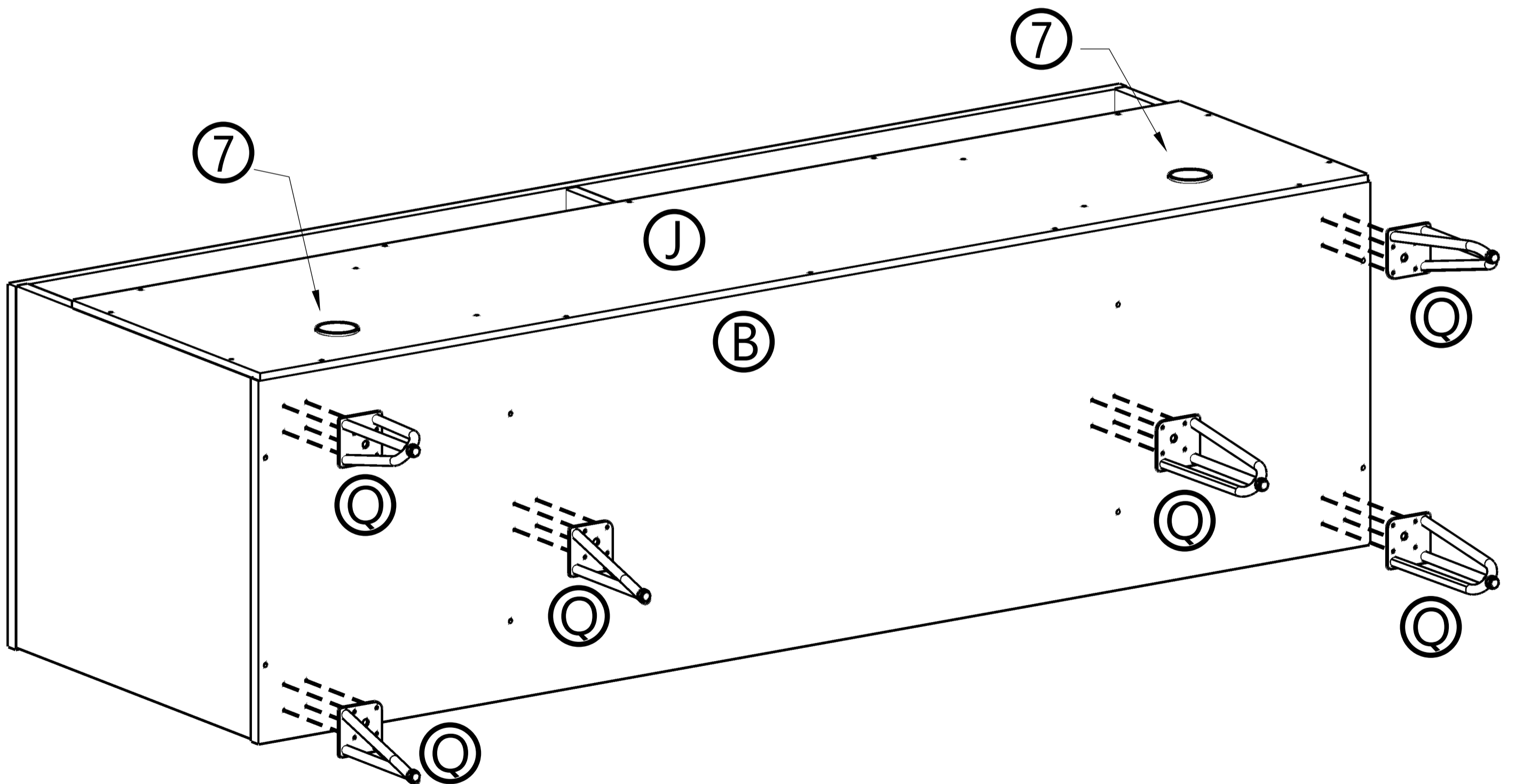
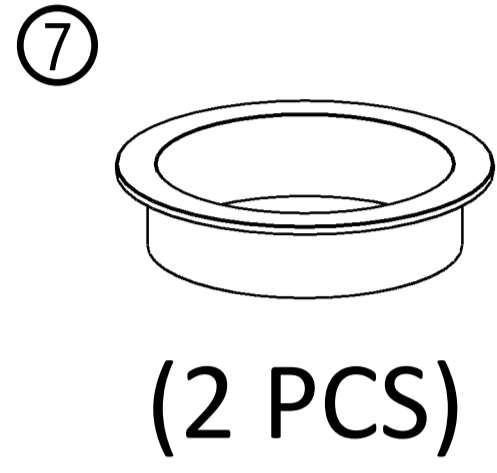
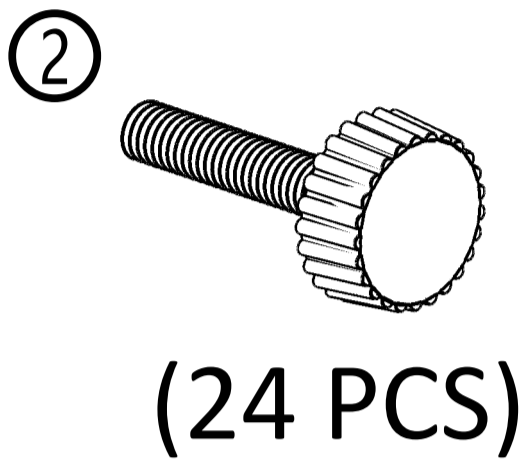


(18 PCS)



# Step 8

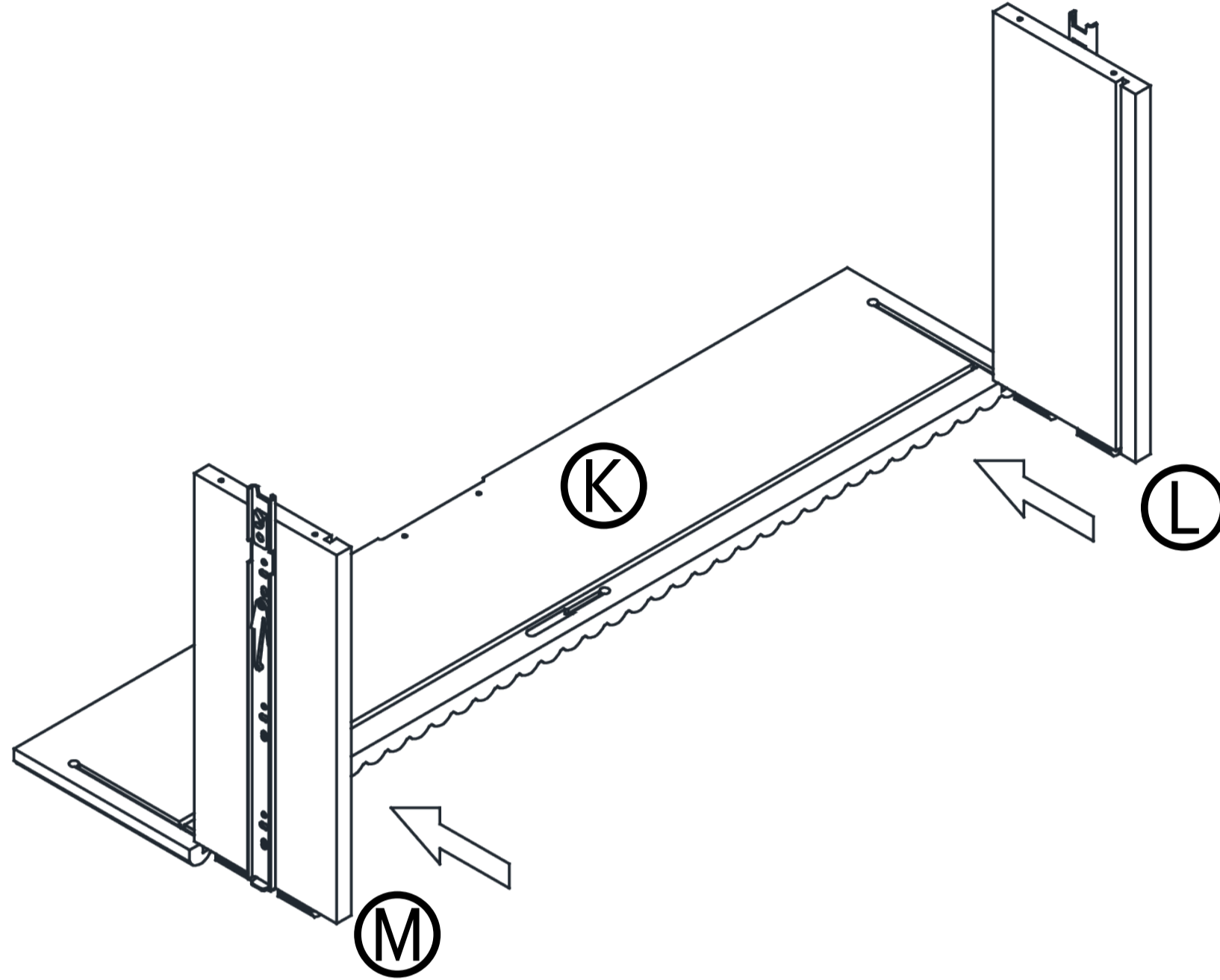
- ◆ Fasten the LEGS (Q) to the BOTTOM (B) by using twenty four BOLTS (2).
- ◆ Plug in two GROMMET (7) to the BACK (J).



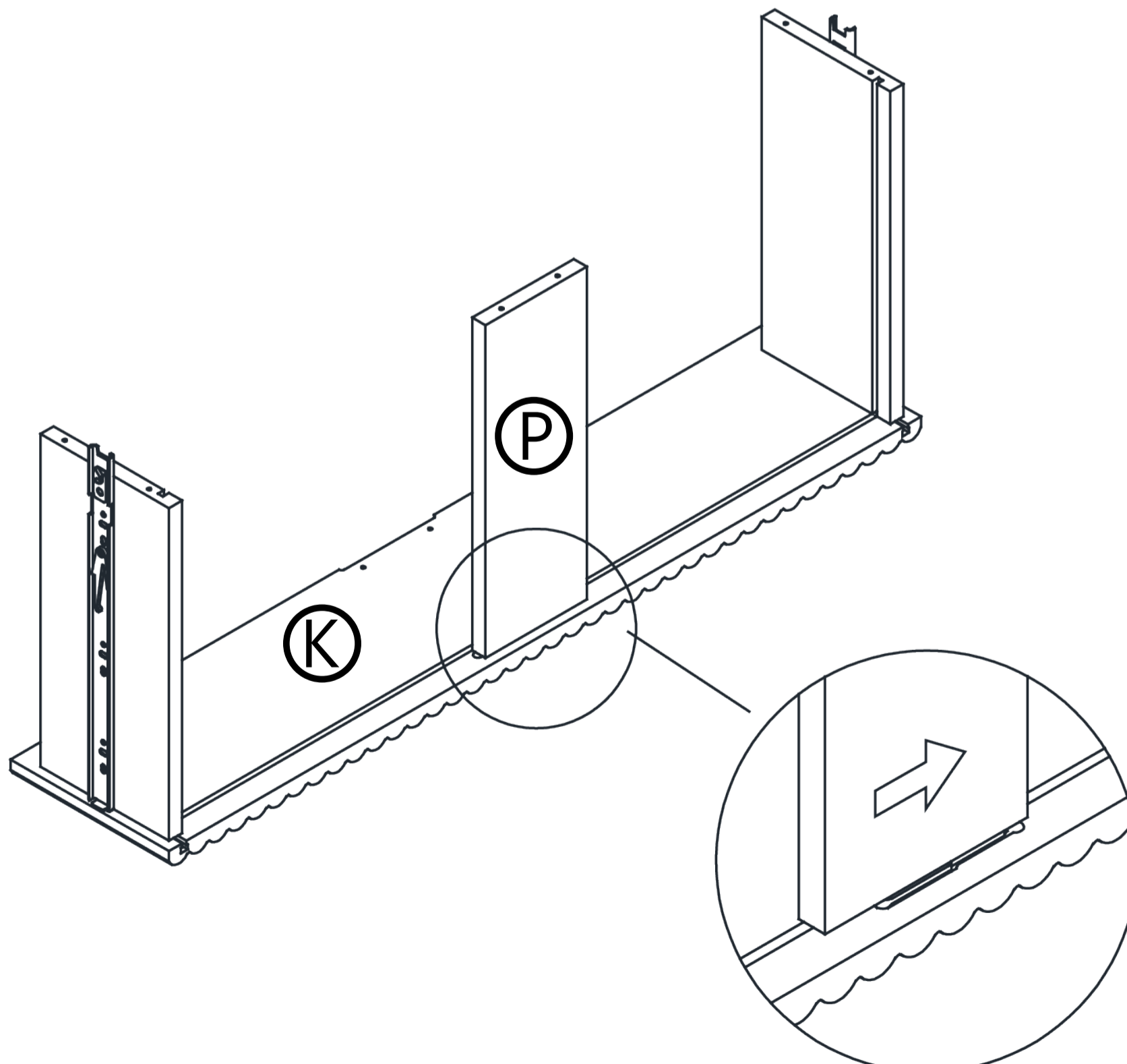
# Step 9

---

- ◆ Attach the DRAWER SIDES (L and M) to the DRAWER FRONT (K), slide the PLASTIC CONNECTIONS to the grooves.

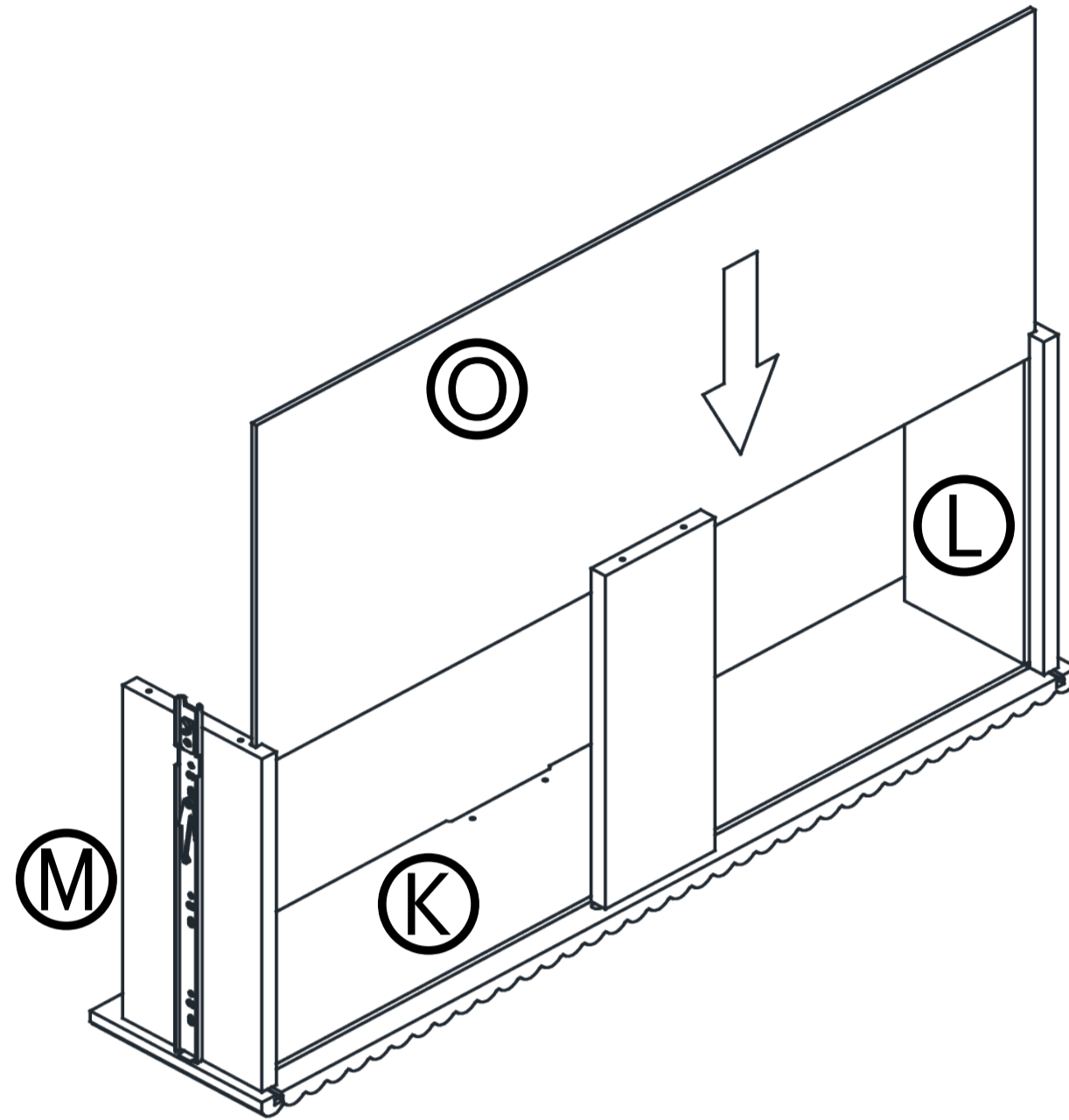


- ◆ Slot the DRAWER BOTTOM SUPPORT (P) to the DRAWER FRONT (K).



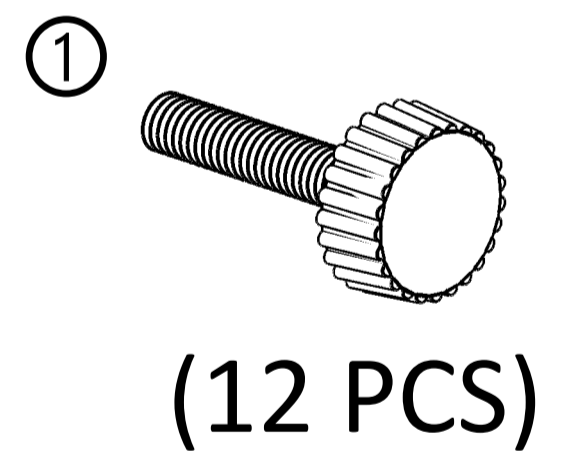
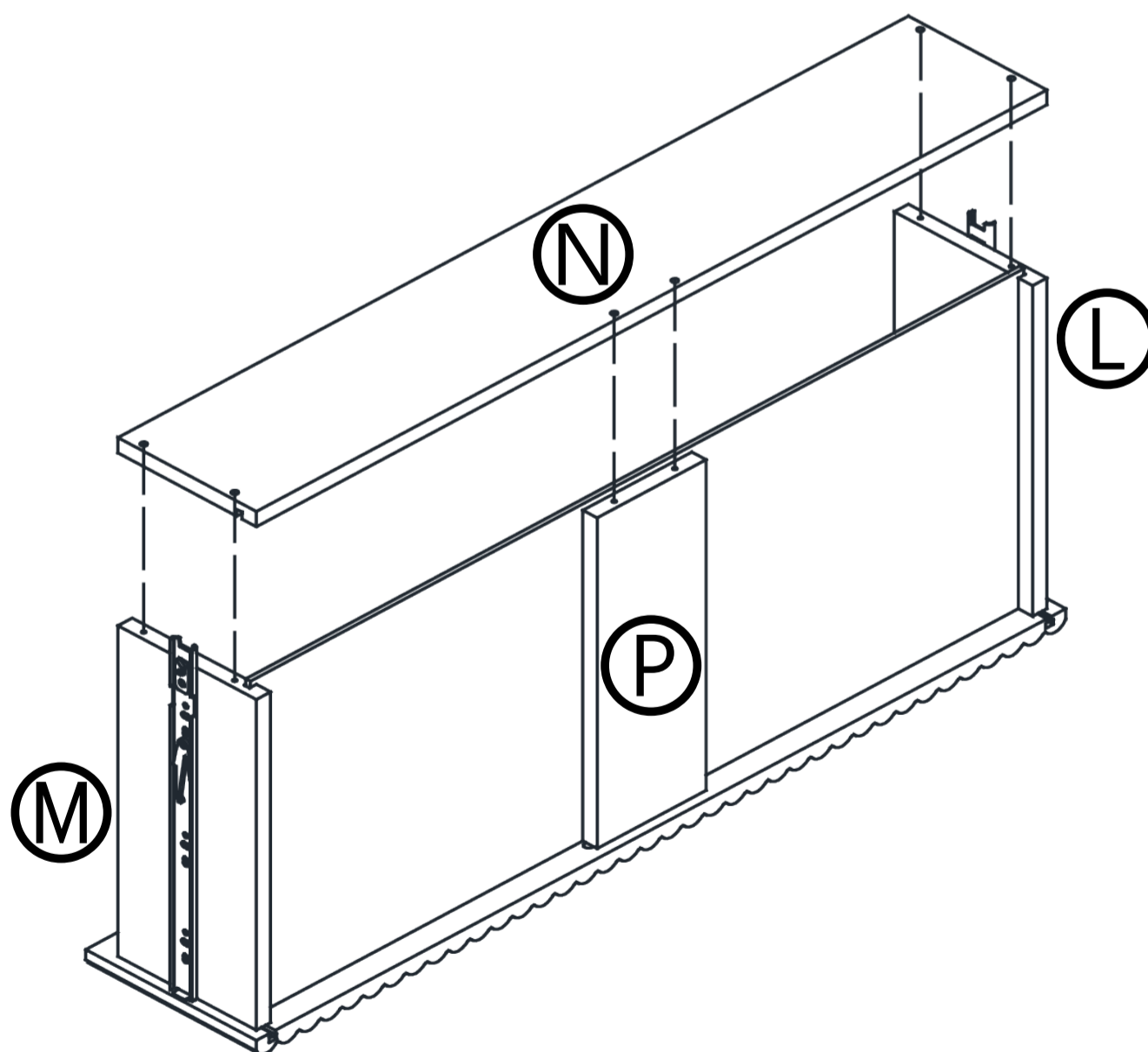
# Step 10

- ◆ Slide the DRAWER BOTTOM (O) into the grooves, in the DRAWER SIDES (M and L), and the DRAWER FRONT (K).



X2

- ◆ Fasten the DRAWER BACK (N) to the DRAWER SIDES (L and M) and the DRAWER BOTTOM SUPPORT (P) by using six BOLTS (1).

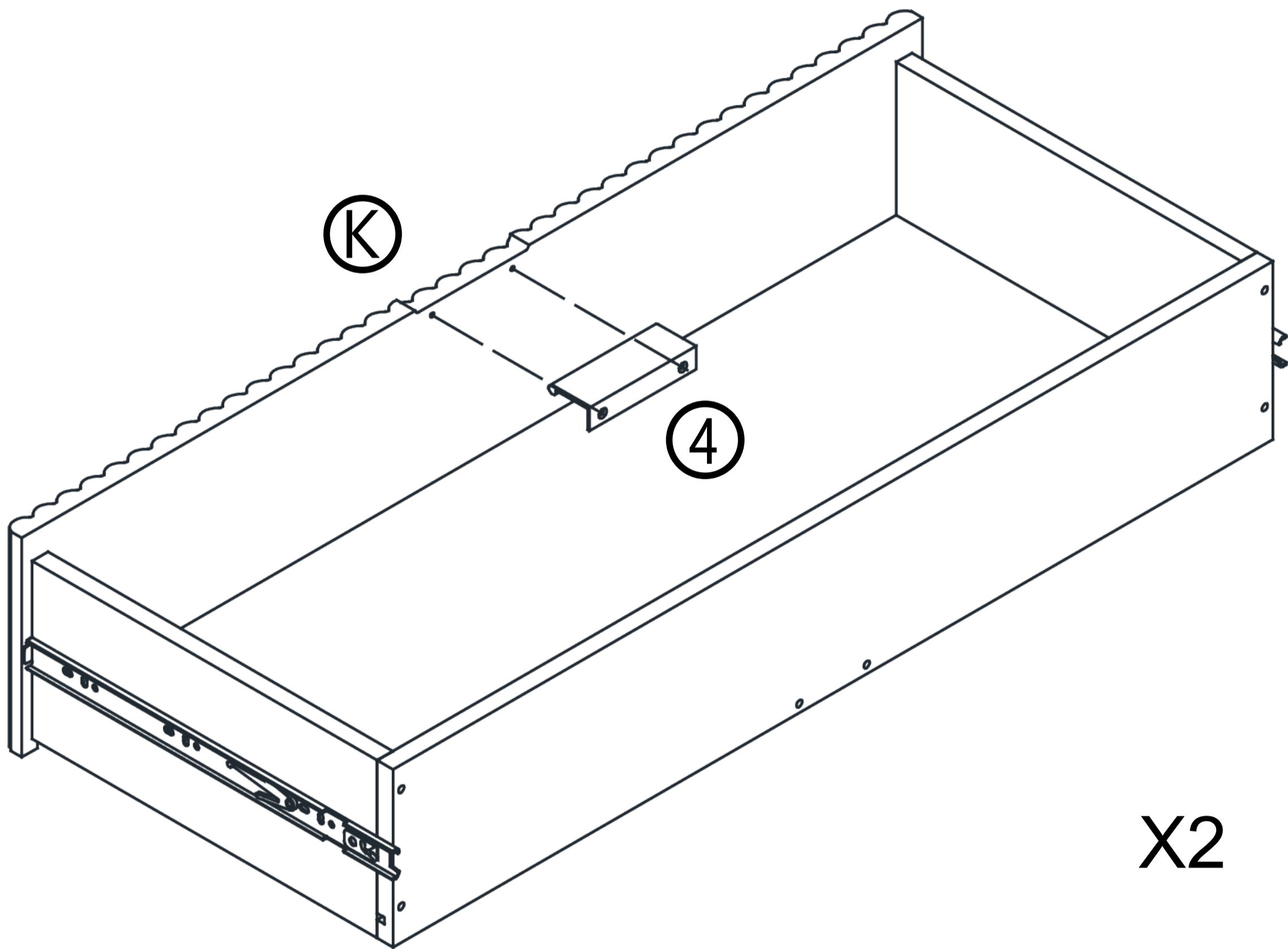
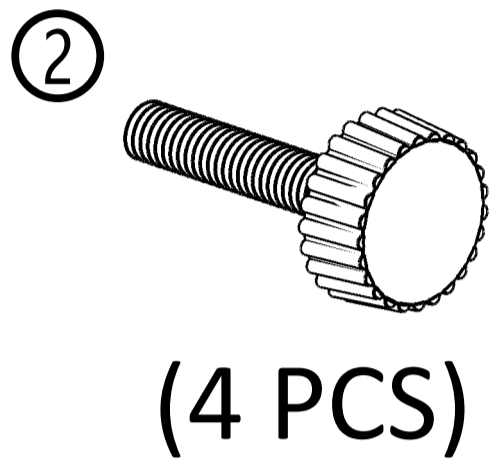


X2

# Step 11

---

- ◆ Use two BOLTS (2) to fasten the PULL (4) to the DRAWER FRONT (K). Repeat the same on the other drawers.

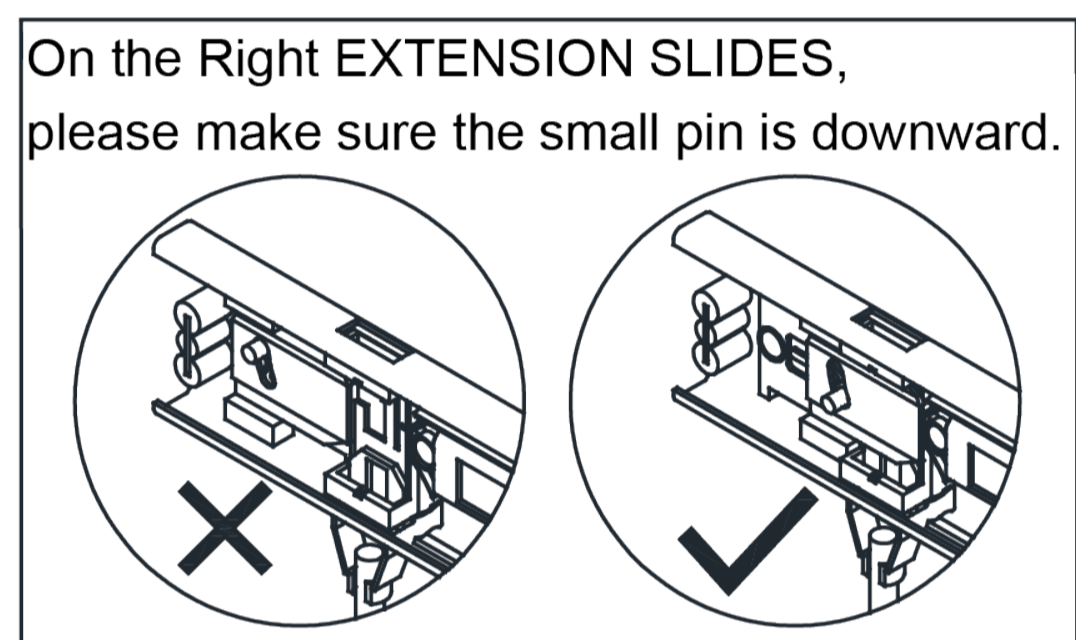
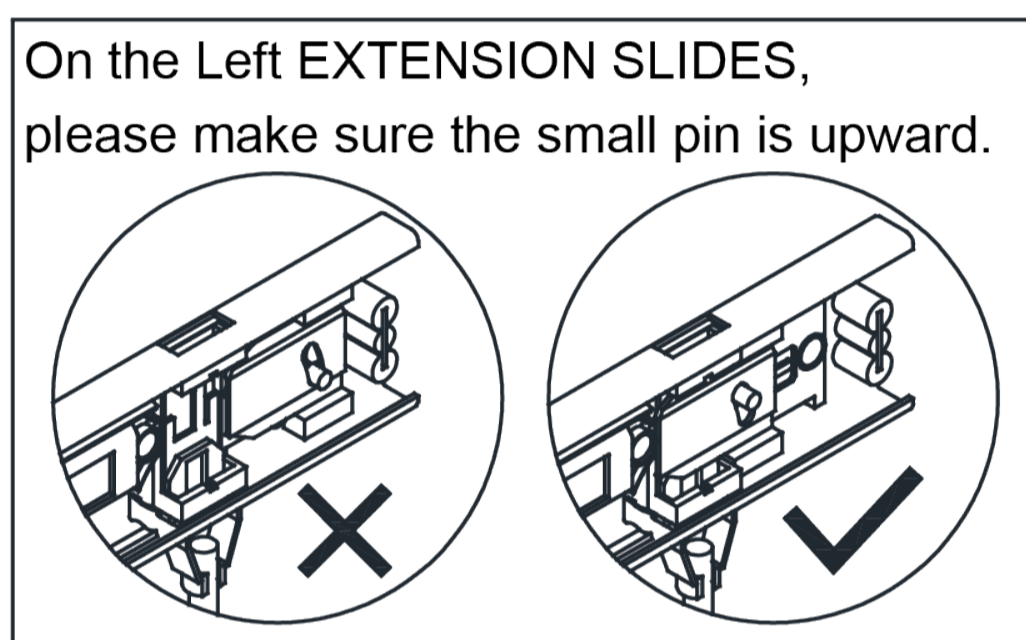
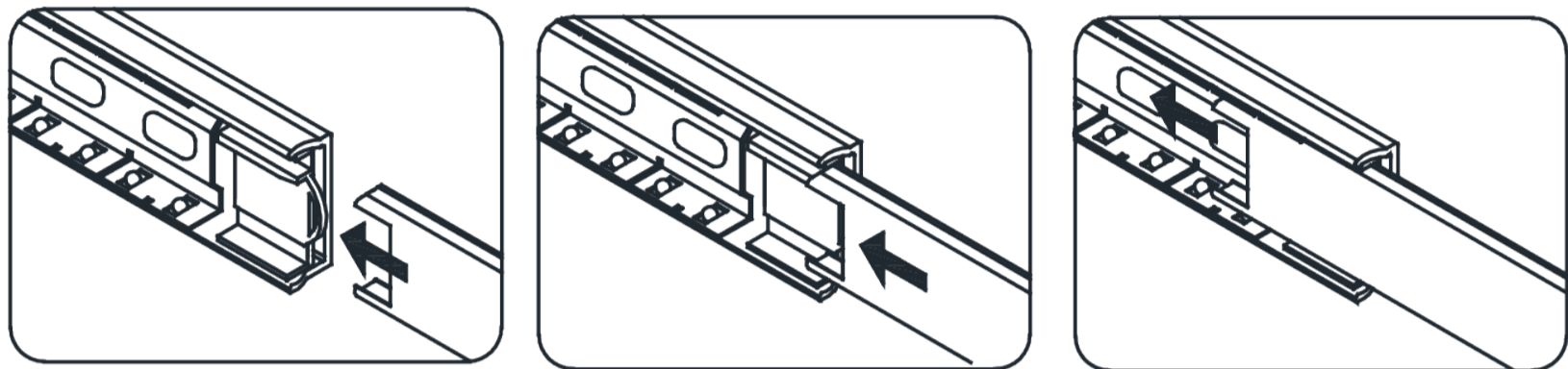


# Step 12

To insert the DRAWER into your unit, line up the EXTENSION SLIDES on the drawer with the EXTENSION RAILS on the unit and push the drawer into the unit.

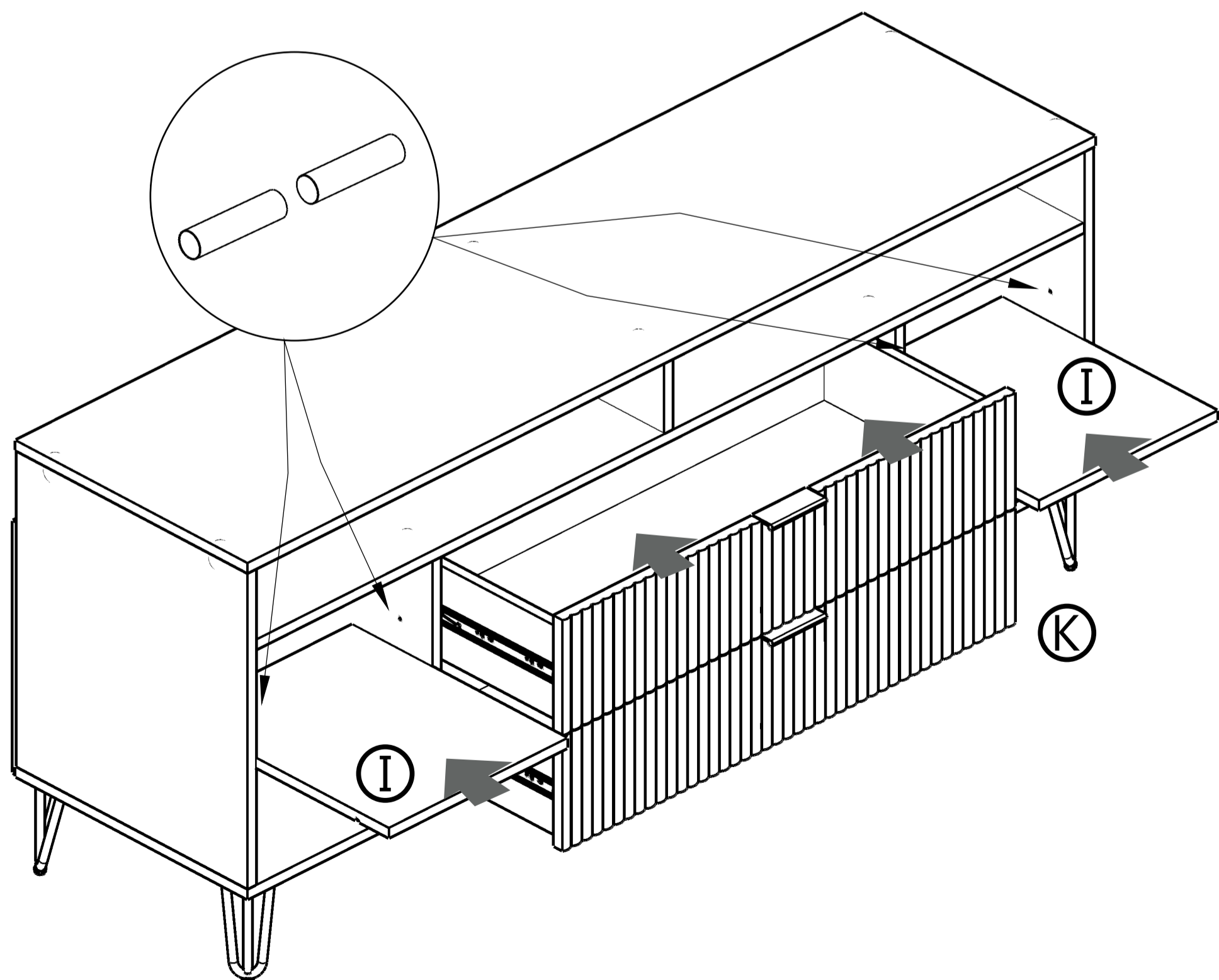
- ◆ Before the drawer is fully inserted, please make sure the interlock pins on the EXTENSION SLIDES on the drawer is pushed forward as shown on the diagram. The drawer should push in hard until it is all the way in, then it will slide in and out easier.

Attention: This unit used Drawer Interlocking System, when one drawer is open, the other drawers cannot be opened.

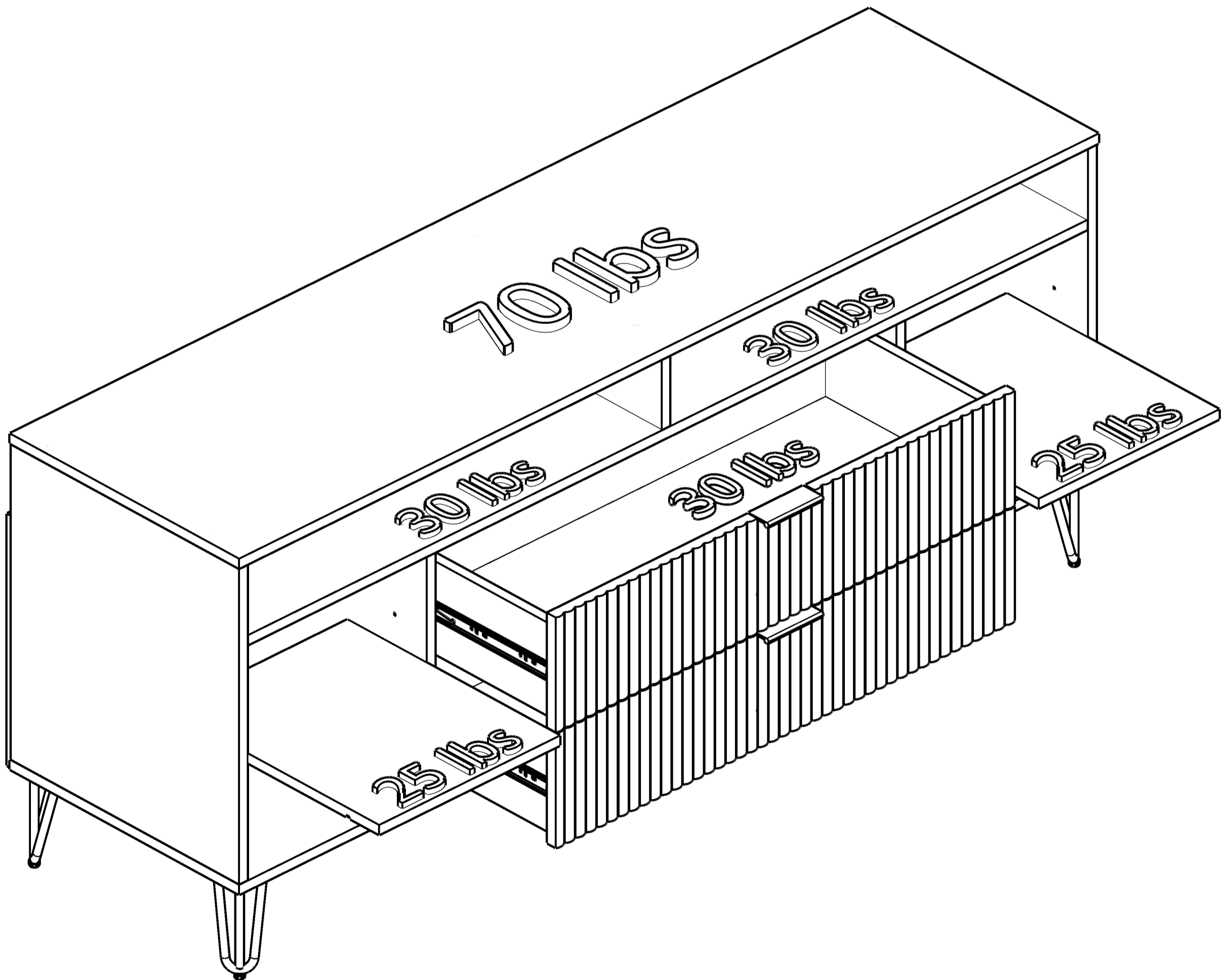


- ◆ Insert the METAL PINS (6) into the hole location of your choice in the ENDS (D and E) and UPRIGHTS (F and G) Set The ADJUSTABLE SHELVES (I) onto the METAL PINS. ( 2 PCS )

⑥  
(8 PCS)









# MANHATTAN COMFORT

---

## WARRANTY POLICY

All Manhattan Comfort furniture products are warranted, to the original purchaser at the time of purchase and for a period of 30 days thereafter.

Our warranty is limited to new products purchased in factory sealed cartons. This warranty is valid in the United States of America and Canada.

In order to provide you with timely assistance, please thoroughly inspect your furniture for missing or defective parts immediately after opening the carton.

Manhattan Comfort offers a 30-day parts replacement warranty on all items.

Our furniture products are not intended for outdoor use.

## THE WARRANTY DOES NOT COVER:

- Defects/damages by improper assembly or disassembly.
- Defects/damages caused by shipping. Claims for damage during transit should be placed immediately to the transportation company.
- Defects/damages caused by inappropriate use of the furniture.



319 Ridge Rd. Dayton, NJ 08810

908-888-0818