



# Rutledge® | K-4734

Quiet-Close™ elongated toilet seat

## Features

- Quiet-Close™ elongated lid and seat prevents slamming
- Grip-Tight bumpers hold seat firmly in place
- Quick-Release™ functionality allows seat to be removed easily from toilet for convenient cleaning
- Quick-Attach® hardware for fast and secure installation
- Color-matched plastic hinges



DISCONTINUED



1-800-4KOHLER (1-800-456-4537)  
Kohler Co. reserves the right to make revisions without notice to product specifications.  
For the most current specification sheet, go to [www.kohler.com](http://www.kohler.com) USA or [www.kohler.ca](http://www.kohler.ca) Canada.  
3-27-2026 20:21 - US-CA

THE BOLD LOOK  
OF **KOHLER**®

---

## Codes/Standards

*Plumbing codes may require elongated toilets and elongated, open-front seats in public bathrooms.*

---

## Technical Information

*All product dimensions are nominal.*

Seat Shape Type:	Elongated
Seat Front Type:	Closed-front
Seat-Mounting Holes:	5-1/2" (140 mm)

---

## Material

- Plastic construction
- 

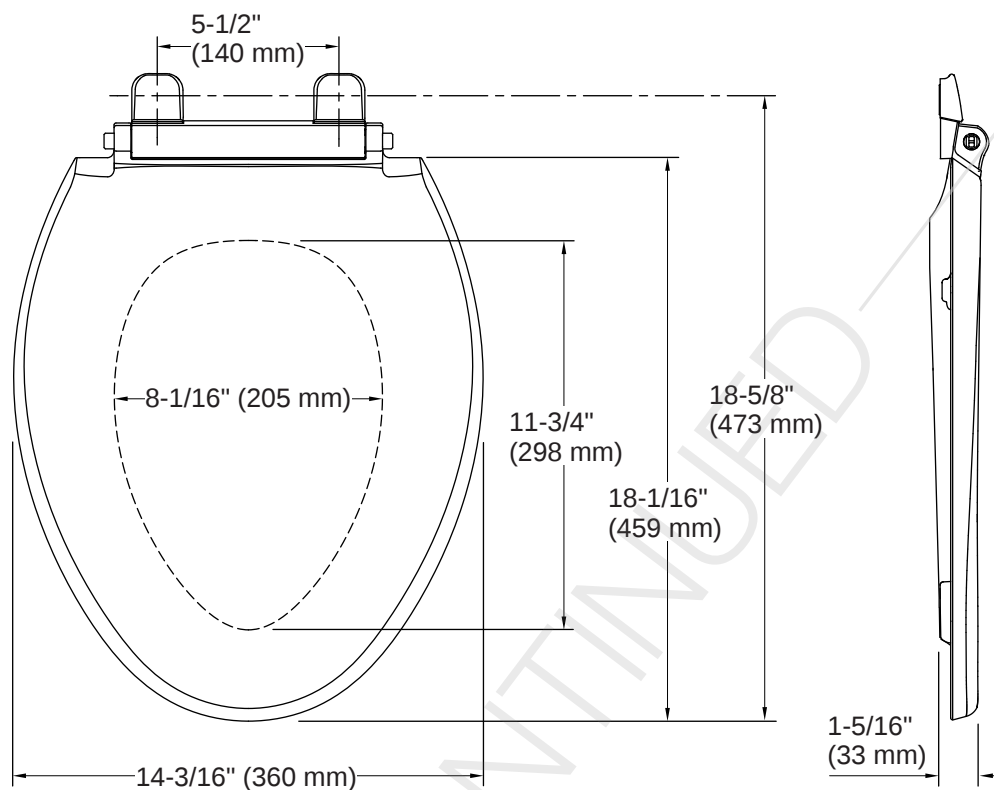
## Warranty

*See website for detailed warranty information.*

KOHLER® One-Year Limited Warranty

DISCONTINUED





Installation Notes

Install this product according to the installation instructions.

