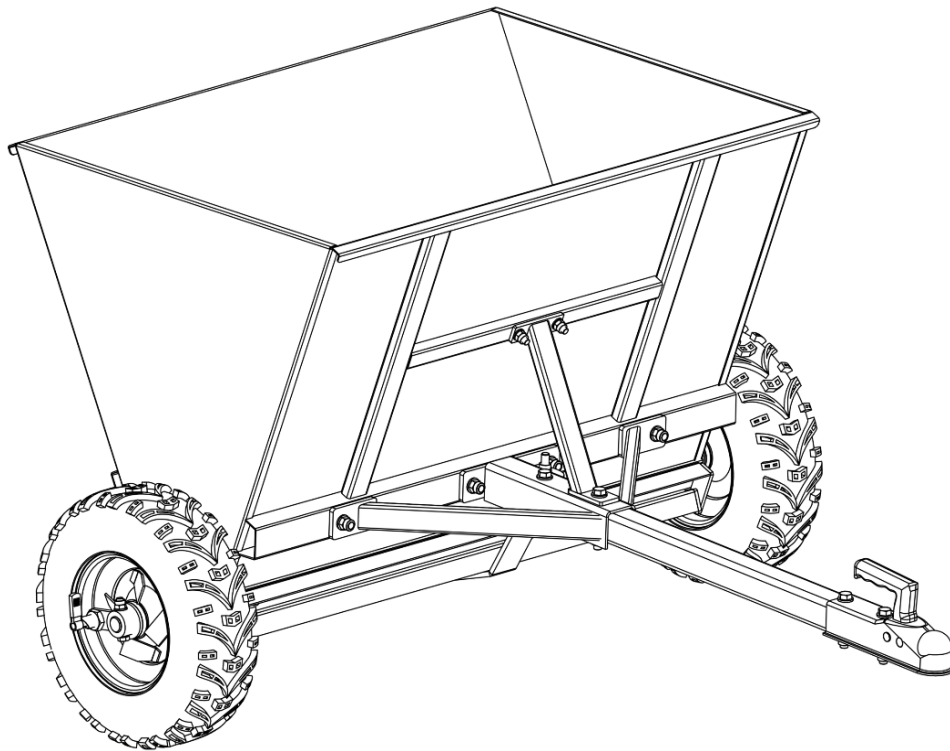


N818P3866570

SAND SPREADER



Working width: 3.94 inch

Total width: 11.81 inch

Hopper volume: 71.33 US gal

Wheels: 4.80-8

Bottom flap: Standard

Tow coupling: 1.98 inch ball coupling

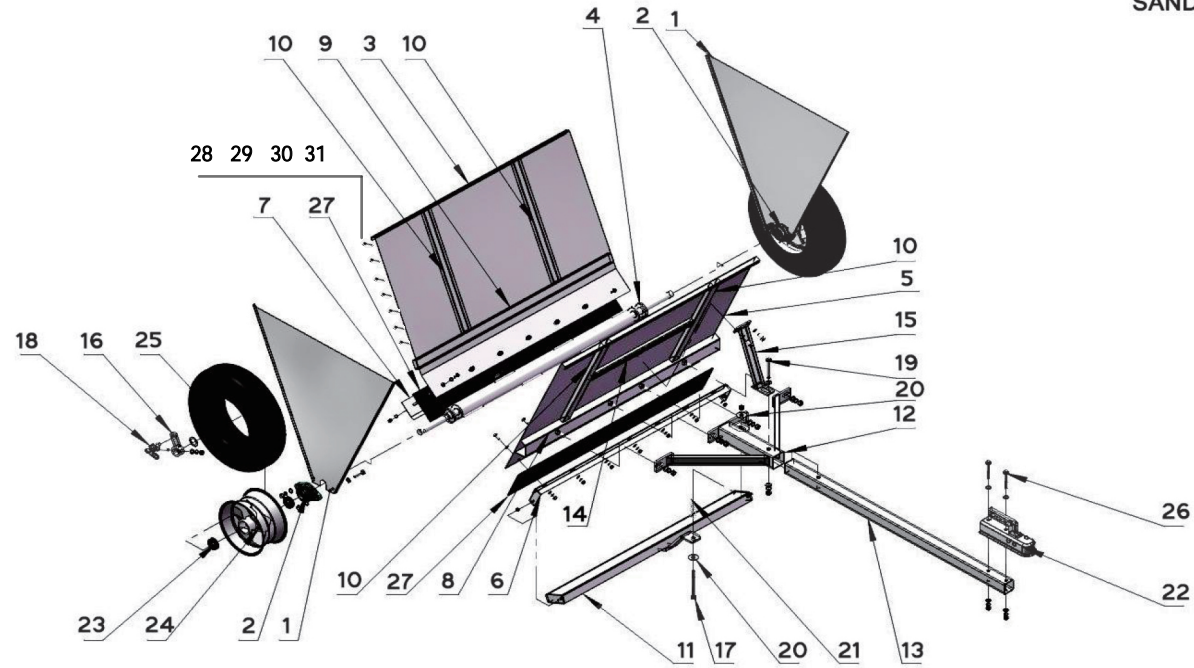
INTENDED USE: The equipment is only intended for spreading gritting materials such as sand and salt. Suitable for gritting driveways, pathways, courtyard, etc.

- The product may only be used in the manner described
- Never place any limbs inside of the spreader as there is a risk of crushing.
- Always turn off the engine of the towing vehicle before servicing or refilling the hopper.
- Refrain from loading the machine while in use. Maximum speed of 20km / h for transport.
- The equipment is not approved for operation on public roads.
- During service, put the gear on level ground.
- Do not permit anyone to ride inside of the hopper.
- Never overload the equipment



- When driving forward the roller rotates and the spreading begins. When driving backwards the roller disengage and the gritting stops.
- During transport, disconnect the spring locking pin so that the pin does not touch the rim.

SAND SPREADER



No.	Name	QTY	7	Rubber Strip Pressing Part 2	1	14	Strengthened Tube	1	21	Spring	1
1	Metal Sheet	2	8	Towed Metal Frame Seat	1	15	Strengthened Supporting Tube	1	22	ATV Coupler	1
2	Bearings Seat (UELFLU205)	2	9	Rectangle Metal Tube 1000	1	16	Positioning Bolt Seat	2	23	Bearing 6205-2Z	2
3	Metal Sheet	1	10	Rectangle Metal Tube 510	4	17	Bolt M12*120	1	24	Rim	2
4	Axle	1	11	Combination Of Adjusting Rubber Strip	1	18	Positioning Bolt	2	25	Rubber Tires	2
5	Metal Sheet	1	12	Towed Metal Frame	1	19	Bolt M12*80	1	26	Bolt M10*70	2
6	Rubber Strip Pressing Part 1	1	13	Towed Bar	1	20	Washer 12*3	2	27	Rubber Strip	2

28	8 * 20 Half-round head square neck bolt	26	29	Flat gasket 8	26	30	Cushion 8	26	31	M8 nut	26
----	---	----	----	---------------	----	----	-----------	----	----	--------	----