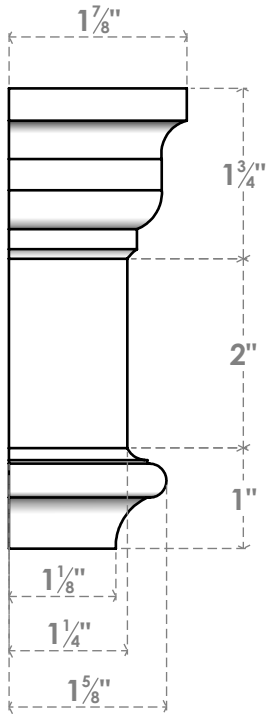
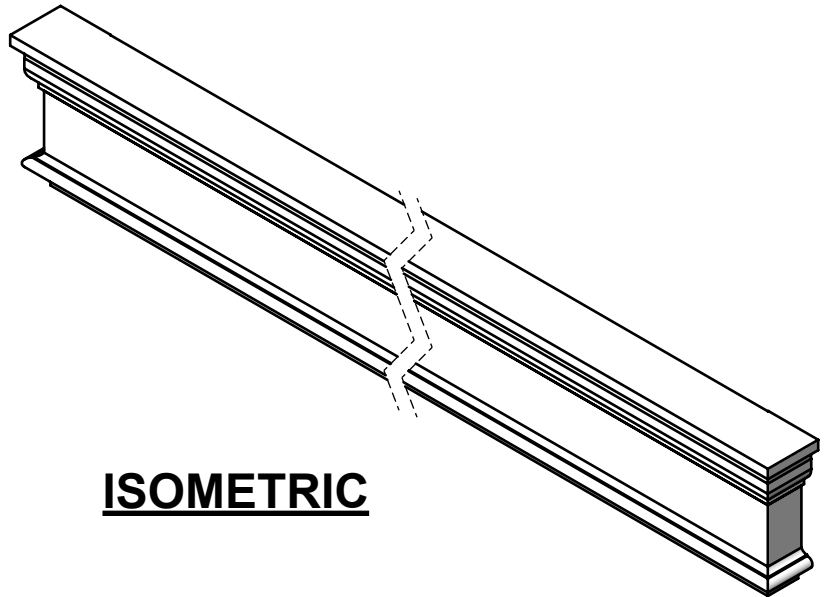


ITEM NUMBER: CRH05X***HO

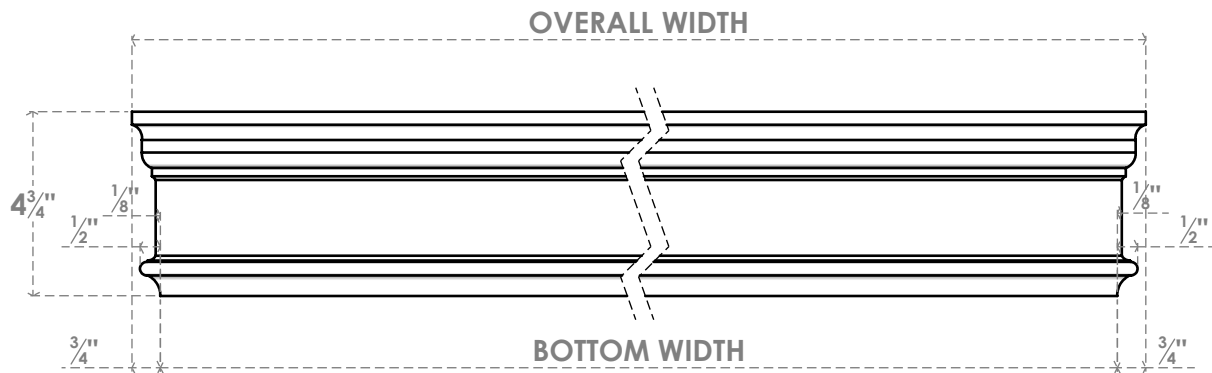
HOLMDEL STYLE CROSSHEAD, HIGH DENSITY POLYURETHANE, FACTORY PRIMED, AVAILABLE IN WIDTHS (BOTTOM) FROM 24" - 180" (SOLD IN 1" INCREMENTS)



SIDE



ISOMETRIC



FRONT



EKENA MILLWORK
2300 WEST MAIN ST.
CLARKSVILLE, TX 75426
TOLL FREE: 866-607-0453
WWW.EKENAMILLWORK.COM

GENERATED DATE : 08/22/2024

NOTES

1. INSTALLATION TO BE COMPLETED IN ACCORDANCE WITH MANUFACTURER'S SPECIFICATIONS.
2. DRAWING MAY NOT BE TO SCALE
3. THIS DRAWING IS INTENDED FOR DESIGN AND PLANNING PURPOSES ONLY.
4. MANUFACTURED FROM HIGH DENSITY POLYURETHANE MATERIAL WITH FACTORY PRIMED FINISH.
5. FABRICATED WITH ENDS CAP FACTORY ASSEMBLED READY FOR INSTALL
6. FABRICATED WITH ENDS CAP FACTORY ASSEMBLED READY FOR INSTALL
7. ACTUAL DIMENSIONS MAY VARY DUE TO MATERIAL AND MANUFACTURING TOLERANCES